

AZ8000G の取扱説明書と調整が異なる部分を記載しています。
AZ8000G の取扱説明書とあわせてご使用下さい。
Adjustments different with AZ8000G are mentioned in this book.
Read this book in combination with INSTRUCTIONS of AZ8000G.

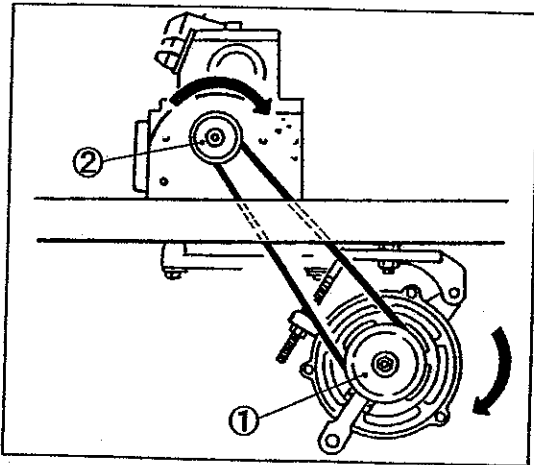
取扱説明書は全て保管しておいて下さい。
安全にお使い頂くため、
最後までよくお読みになってからご使用下さい。

SAVE ALL INSTRUCTION MANUALS.
READ and UNDERSTAND
THOROUGHLY to OPERATE for SAFE USE.



ヤマトミシン製造株式会社
YAMATO SEWING MACHINE MFG. CO., LTD.

1 . Sewing speed and rotating direction of pulley



The maximum sewing speed is shown at the table below.

To ensure long service life under good conditions, your new machine should be run with the cycle lowered 15 - 20 % of the maximum cycle during the first 200 hours (approximately one month).

The rotating direction of the motor pulley① and the machine pulley② is clockwise as shown in the figure.

⚠ CAUTION

If the pulley is reversed, oil can not be supplied properly. It may cause the machine trouble.

Maximum sewing
speed (s.p.m.)

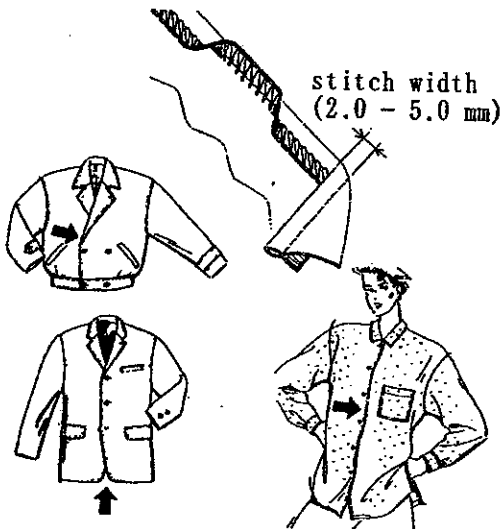
AZ8022G	6500
---------	------

2. Adjustment of sewing machine

WARNING

ALWAYS turn OFF the motor switch and check that the motor stops before adjustment.

2-1 Serging and top-stitching with hemming

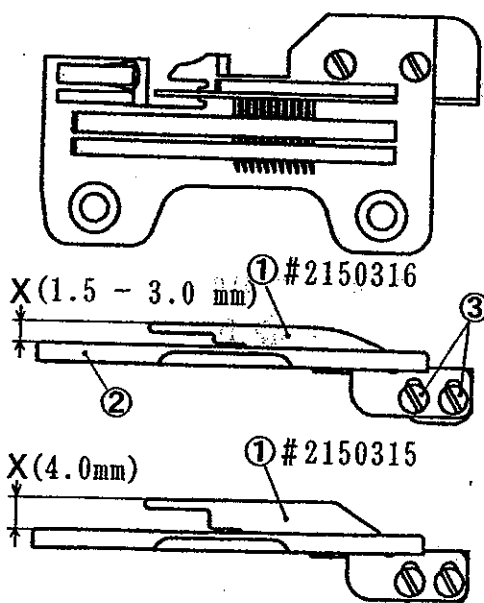


On conventional method for making front facing of dress-shirts, blouses and working wear, it takes two different operations—serging and top-stitching with hemming.

Today, you can do same job in "ONE OPERATION" by this machine with mock safety stitch, special presser foot and special guide in stitch plate. Only loading material, the machine does serging top-stitching and hemming simultaneously, and with high quality. The machine is suitable not only for making front facing and also for book seaming on suit coats.

The stitch width of top-stitching is adjustable from 2.0 - 4.0 mm depending on the weight and kind of material, application and so on. And also, sewing with the optional fabric guide #2150315 enables to obtain the stitch width of 4.0 - 5.0 mm.

2-2 Adjustment of fabric guide for each stitch width



☆ Standard stitch width

(for medium weight material)

stitch width	height of fabric guide (X)	Part No.
2.0 mm	1.5 mm	2150316
2.5 mm	2.0 mm	2150316
3.0 mm	2.5 mm	2150316
4.0 mm	3.0 mm	2150316
5.0 mm	4.0 mm	2150315

Remove the stitch plate② and loosen the screw③ then adjust the height of the fabric guide①. Set the fabric guide① in parallel with the top surface of stitch plate.

2. Adjustment of sewing machine



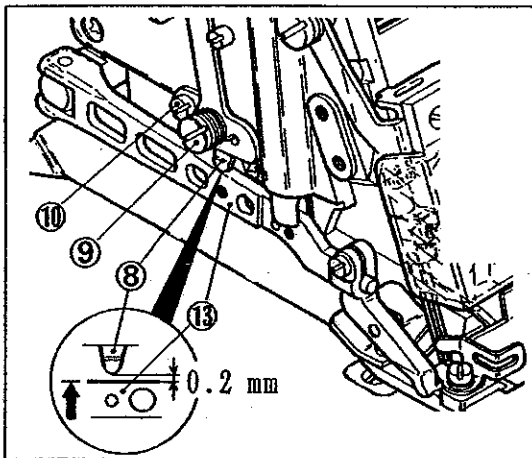
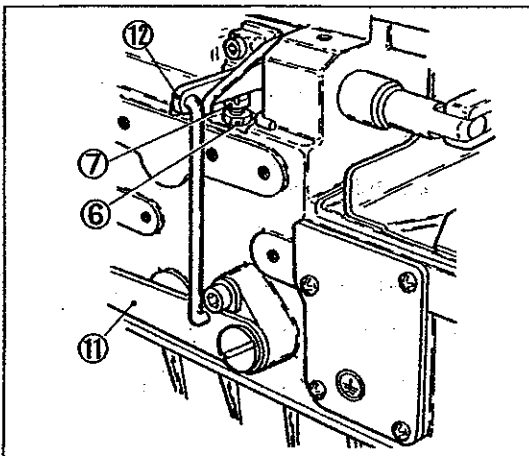
WARNING

ALWAYS turn OFF the motor switch and check that the motor stops before adjustment.

2-3 Presser foot for light weight material

For sewing light weight fabric, use the presser foot with narrow width of its grooves. Part No. is 2157157. Refer to the following parts list.

2-4 Adjustment of lifting amount of presser foot



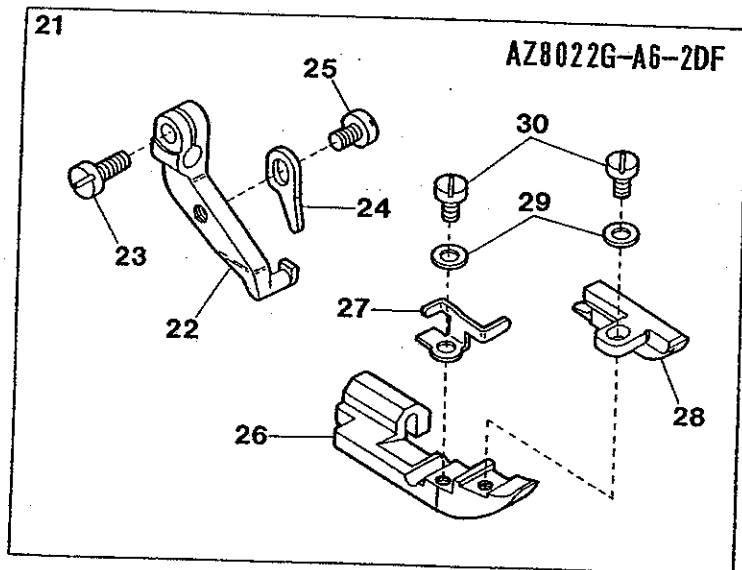
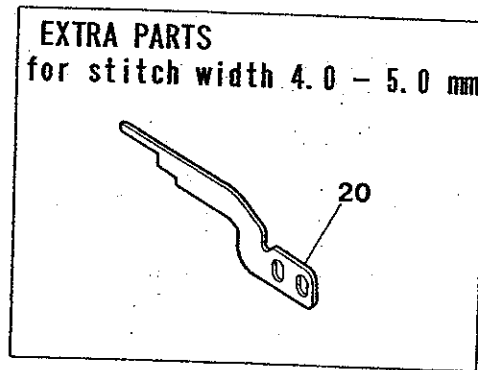
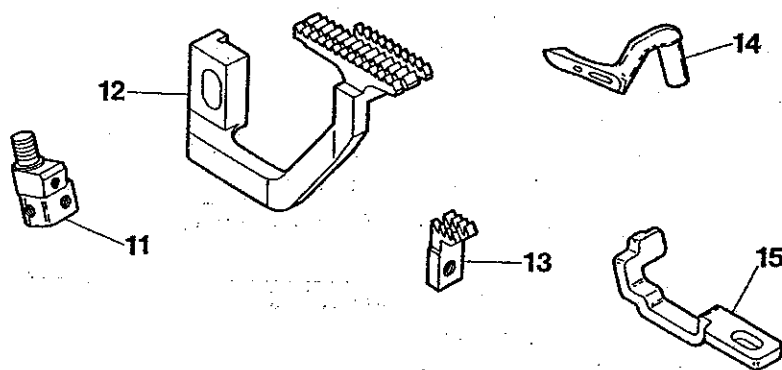
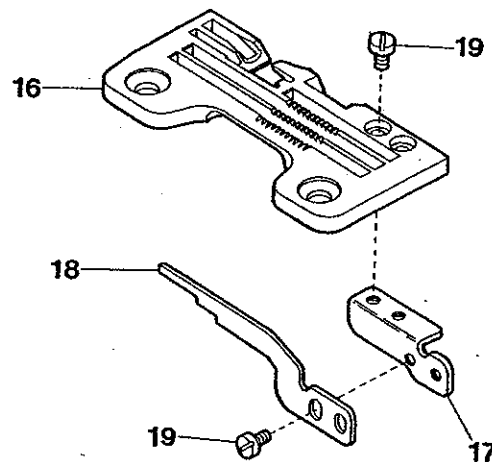
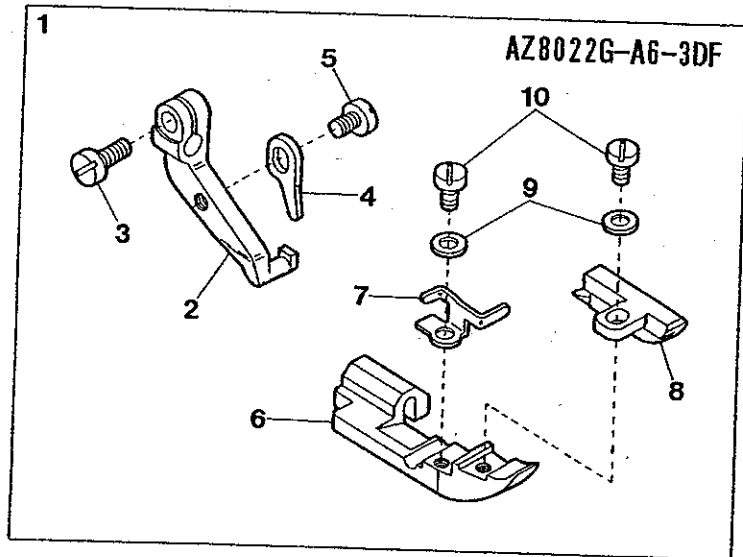
Maximum lifting amount of presser foot is 6.0mm.

1. Loosen the lock nut ⑥ and turn the screw ⑦ clockwise.
2. Loosen the screw ⑨ and ⑩ on the stopper ⑧ of presser foot arm.
3. Push down the presser foot lever ⑪ and make its bottom surface to be in parallel with the stitch plate and place the presser foot 6.0 mm above the top surface of stitch plate.
4. With the presser foot is lifted up 6.0 mm, apply the screw ⑦ to the bottom surface of the lever ⑫ of presser foot bar.
5. Tighten the lock nut ⑥.
6. With the presser foot is lifted up 6.0 mm, make the clearance of 0.2 mm between the presser foot arm ⑬ and the stopper ⑧.
7. Tighten the screws ⑨ and ⑩ for the stopper ⑧.

3. Specifications

Model	AZ8022G-A6-3DF
Dimensions	380(L) × 245(W) × 310(H) mm
Weight	27kg
Construction	Dust-proof, Oil-tight and Completely Sealed
Stitch Type	512
Application	Mock safety stitch machine for serging and top-stitching with hemming in one operation
Sewing Speed	Up to 6,500 s.p.m.
Stitch Length	1.0 - 4.0 mm 6.5 - 25 stitches per inch 7.5 - 30 stitches per 30 mm
Needle System	DC×1, Size 60 - 90 (#8 - 14)
Needle Stroke	23.7 mm
Presser Foot Lift	4.5 mm (max.)
Adjustment of Feeding Mode	Push Button System
Differential Ratio	Normal Differential (Gathering) 1 : 2.3 (max.) Reverse Differential (Stretching) 1 : 0.7 (max.)
Adjustment of Differential Feeding	Differential feed can be easily and quickly adjusted by Lever or Micro-Adjuster
Knives for Cutting Fabric	Lower Knife : Flat Type, made of Special Steel Upper Knife : Flat or Angled Type, made of Super Hard Alloy
Lubrication	Automatic Lubrication System (Forced fed by Trochoide-shaped Pump)
Lubrication Oil	YAMATO SF OIL No.28
Capacity of Oil Reservoir	900cc
Installation	Table top type Fully-submerged type / Semi-submerged type

AZ8022G-A6-3DF, A6-2DF



AZ00220-A6-3DF, A6-2DF EXCLUSIVE PARTS

サブモデル専用部品

Ref. No.	Parts No.	Description	品名	Amt. Req.
1	2157156	Presser Foot, C. Set(A6-3DF)	押エ(組)	1
2	2157000	Presser Foot Hinge	押エヒンジ	1
3	110004	Screw(M3.5-0.6×8)	止ネジ	1
4	2157041	Presser Foot Half-stay	半固定片	1
5	110050	Screw(M3.5-0.6×4.5)	止ネジ	1
6	2107719	Presser Foot(Lower)	押エ(下)	1
7	2107640	Finger Guard	フィンガガード	1
8	2107720	Presser Foot Stitch Tongue	爪	1
9	000444	Washer	ワッシャ	2
10	005036	Screw(1/8-44×5.6)	止ネジ	2
11	2159103	Needle Clamp(A)	針止メ	1
12	2159007	Differential Feed Dog	前送り	1
13	2109052	Auxiliary Feed Dog	小送り	1
14	2109341	Upper Loper	上ルーパ	1
15	2109202	Needle Guard(Front)	針受け(前)	1
16	2158008	Stitch Plate(A6)	針板	1
17	2100499	Fabric Guide Holder	布ガイド台	1
18	2150316	Fabric Guide	布ガイド	1
19	004218	Screw(3/32-56×1.6)	止ネジ	4
20	2150135	Fabric Guide	布ガイド	1
21	2157157	Presser Foot, C. Set(A6-2DF)	押エ(組)	1
22	2157000	Presser Foot Hinge	押エヒンジ	1
23	110004	Screw(M3.5-0.6×8)	止ネジ	1
24	2157041	Presser Foot Half-stay	半固定片	1
25	110050	Screw(M3.5-0.6×4.5)	止ネジ	1
26	2107723	Presser Foot(Lower)	押エ(下)	1
27	2107640	Finger Guard	フィンガガード	1
28	2107724	Presser Foot Stitch Tongue	爪	1
29	000444	Washer	ワッシャ	2
30	005036	Screw(1/8-44×5.6)	止ネジ	2