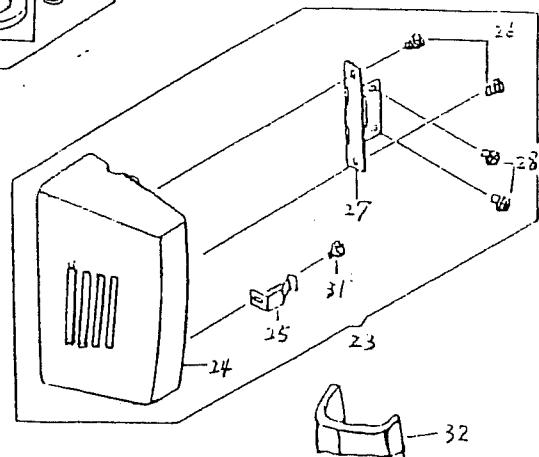
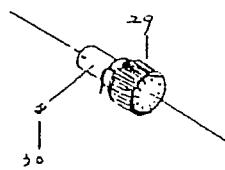
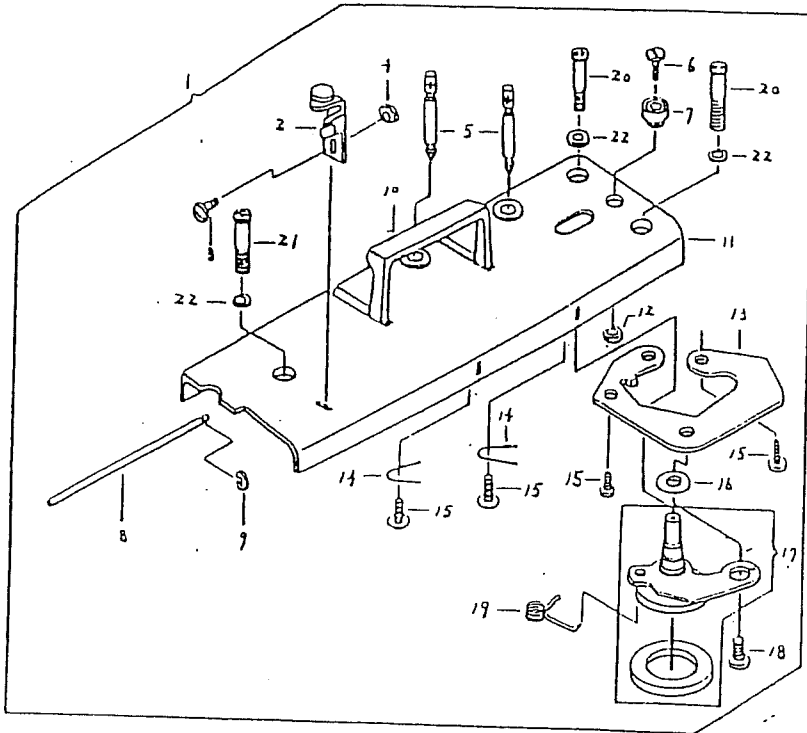


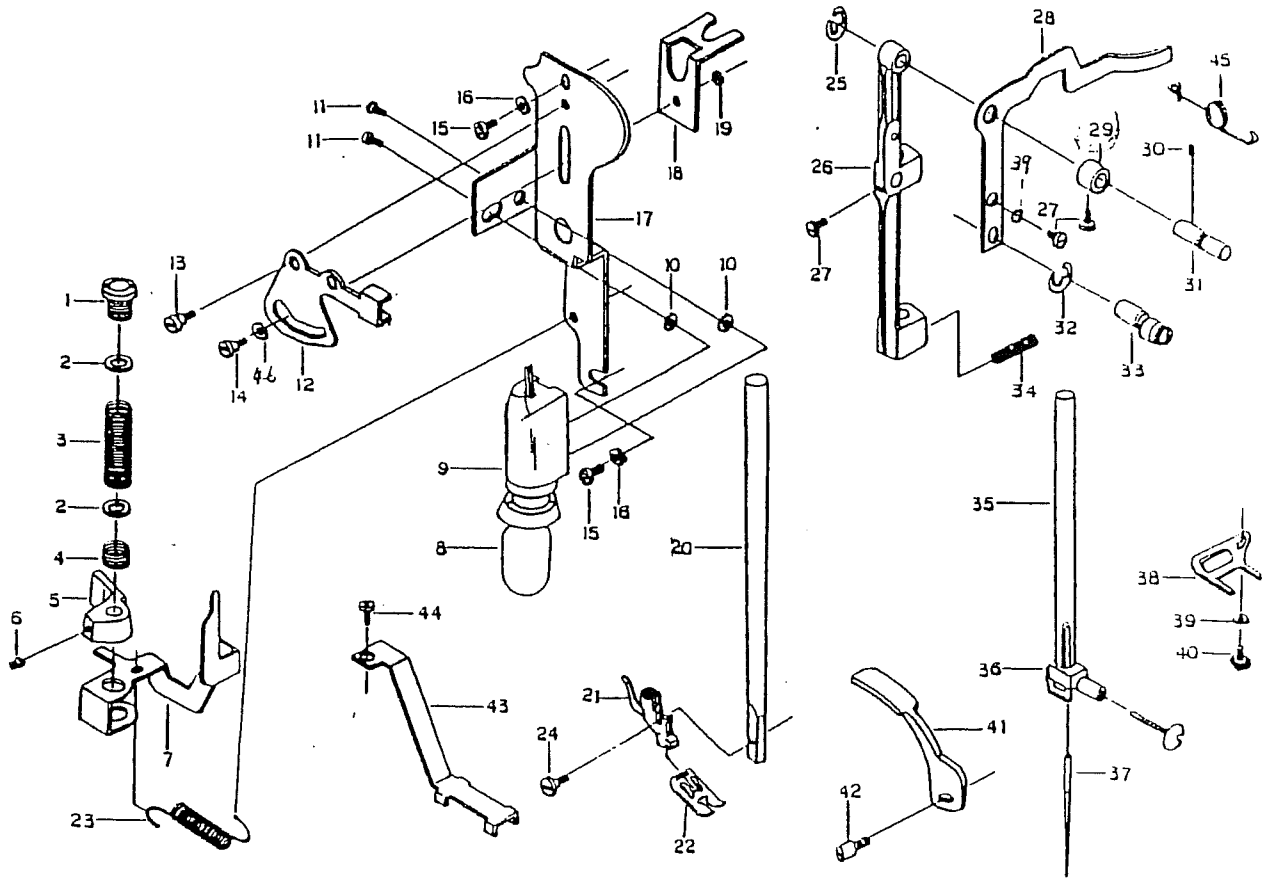
PARTS LIST

MODEL: WERthEIM 315

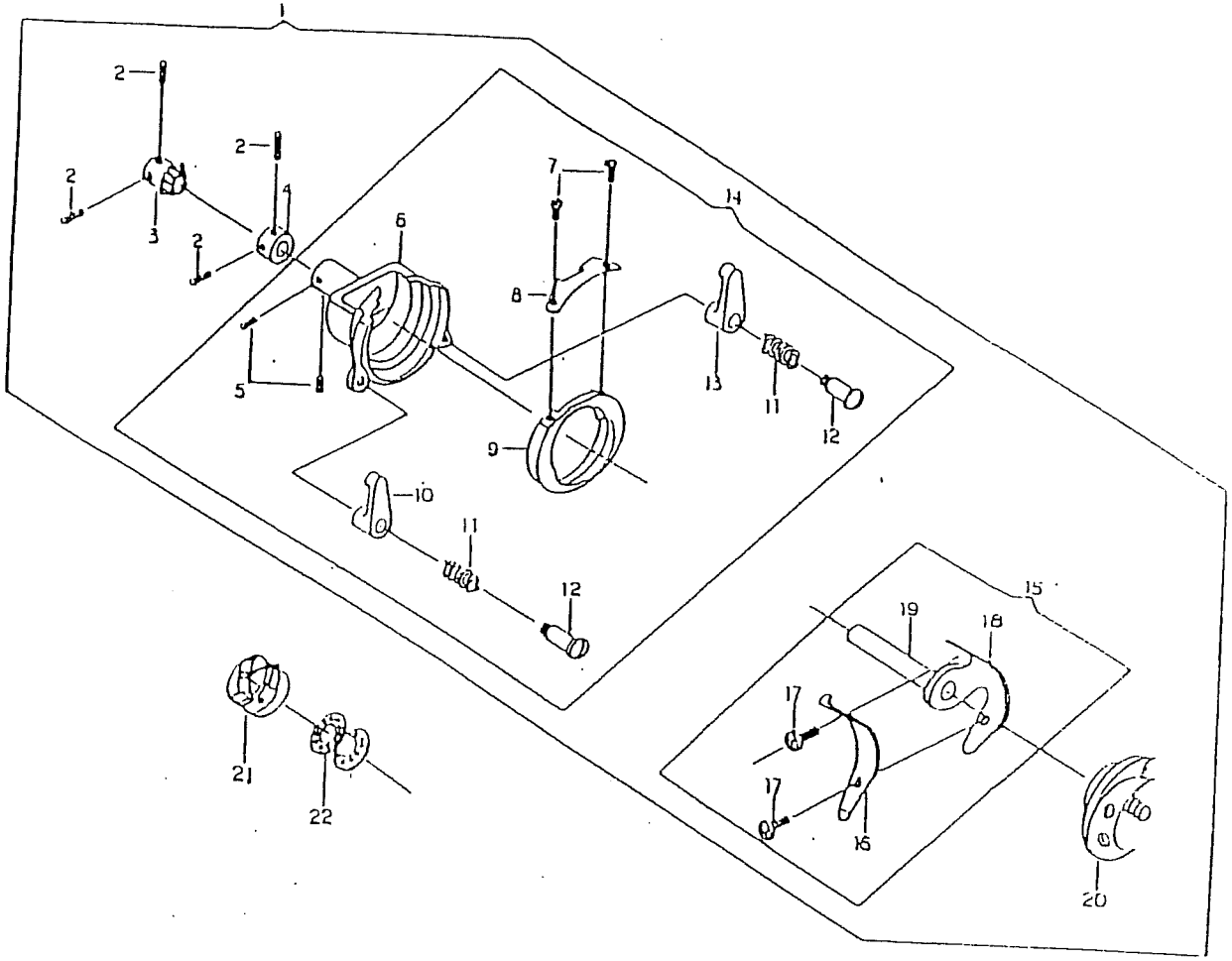
SUNBEEN PRECISION MACHINE INC.



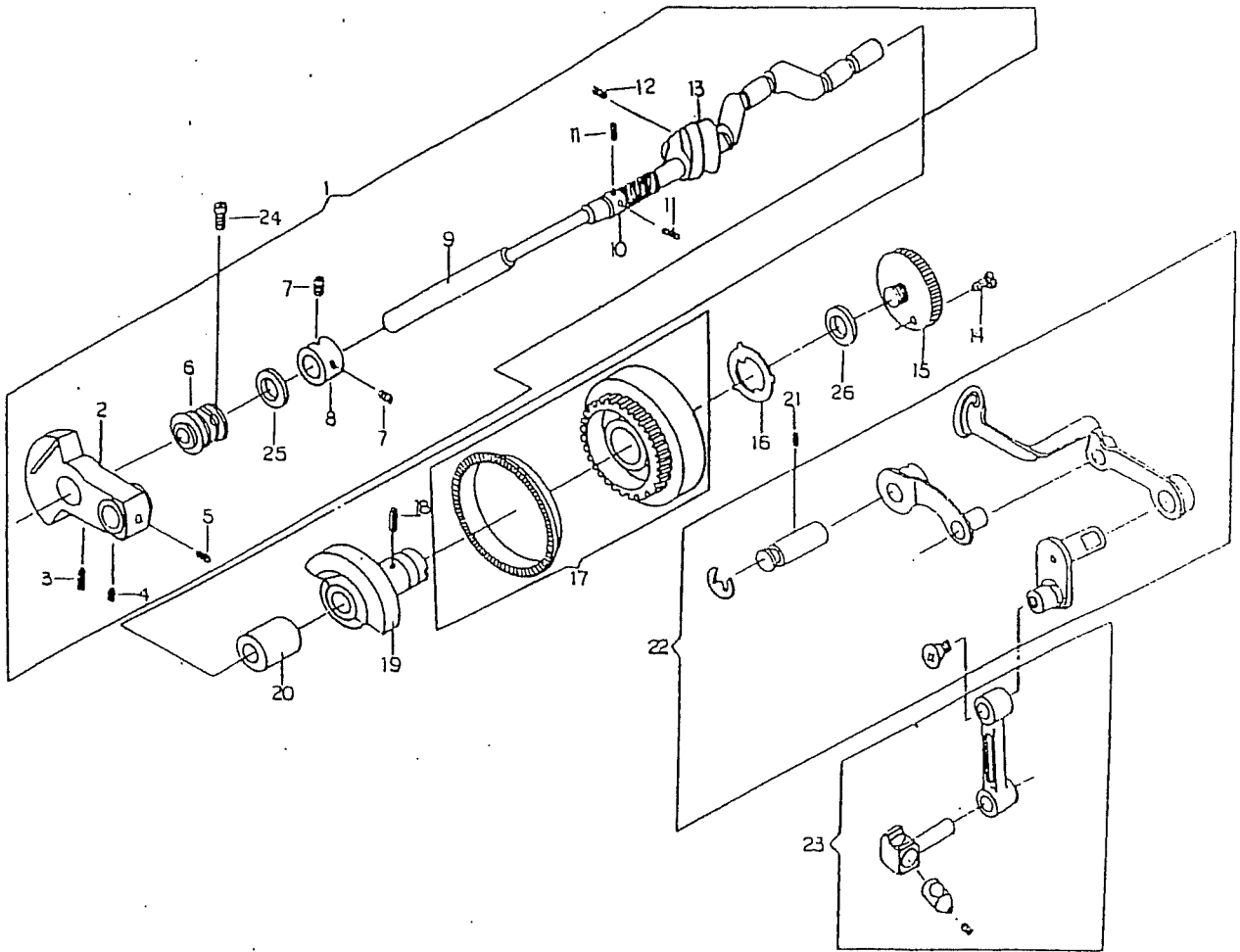
REF NO.	PARTS NO.	COVER DESCRIPTION	MODEL	REF NO.	PARTS NO.	COVER DESCRIPTION	MODEL
1	360622102	Top cover comp.	x	10	370069003	Washer	x
2	360504004	Thread guide comp.	x	17	360501001	Bobbin winder comp.	x
3	301016001	Set screw	x	18	353125005	Ringed screw	x
4	301151009	Nut	x	19	353126006	Bobbin winder spring C	x
5	301027005	Spool pin A	x	20	353121001	Top cover screw A	x
6	353128008	Set screw	x	21	301030001	Top cover screw B	x
7	380067002	Bobbin winder stopper	x	22	353127007	Washer	x
8	353123003	Handle pin	x	23	360623103	Face plate comp.	x
9	000000103	Snap ring	x	24	360158010	Face plate	x
10	353004074	Handle	x	25	301036007	Face plate spring	x
11	360101029	Top cover	x	26	000011912	Set screw	x
12	301193003	Nut	x	27	380502004	Face plate hinge	x
13	353124004	Bobbin winder comp. holder	x	28	301008000	Set screw	x
14	353122002	Spool pin spring	x	29	360506028	Tension comp.	x
15	000011912	Set screw	x	30	301087003	Tension set screw	x
				31	000011923	Set screw	y
				32	360104000	Sticker	y



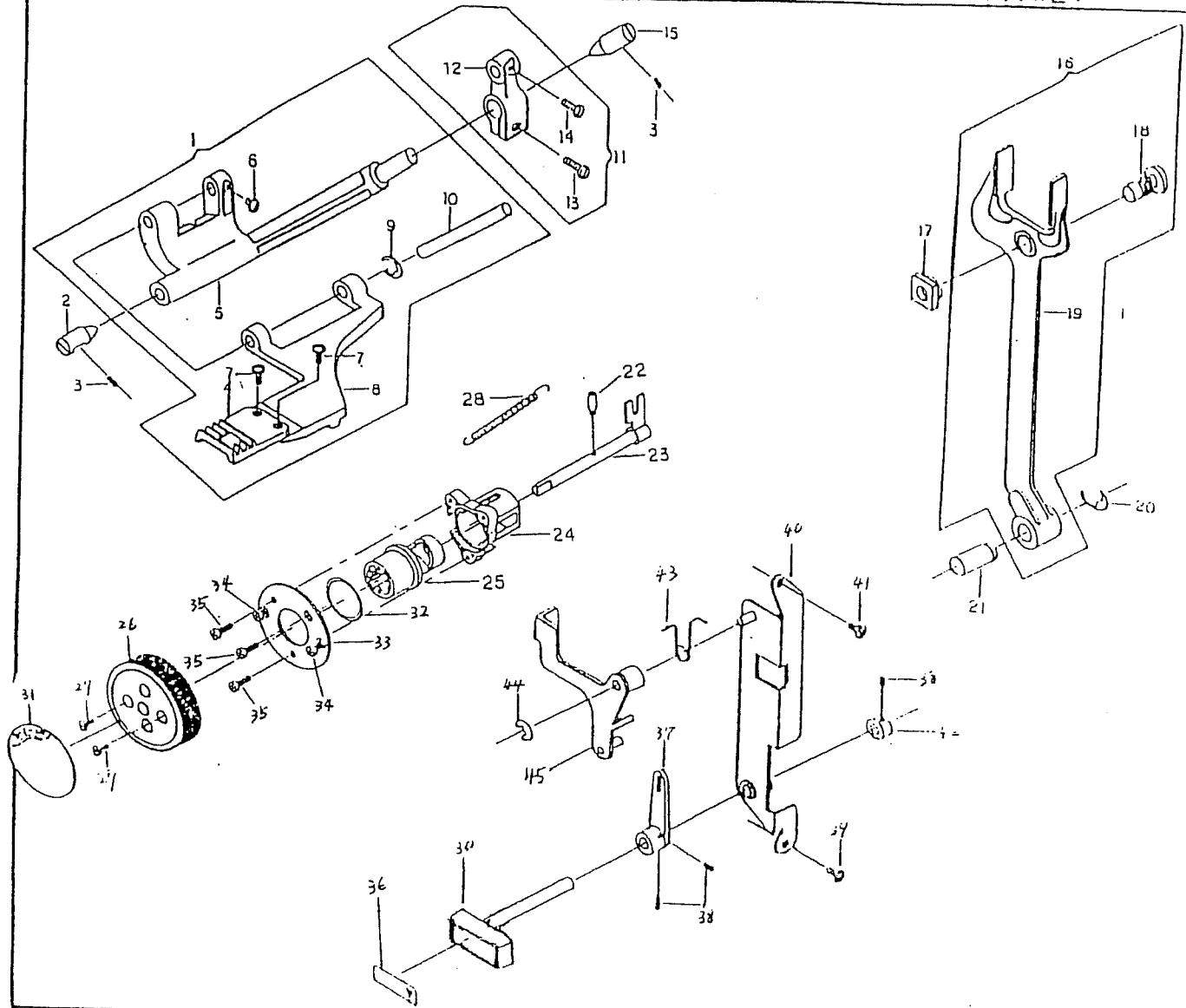
REF NO	PARTS NO	PRESSER BAR/LIGHT SET/ NEEDLE BAR DESCRIPTION	MODEL	REF NO	PARTS NO	PRESSER BAR/LIGHT SET/ NEEDLE BAR DESCRIPTION	MODEL
1	370013002	Pressure regulator collar	x	25	000000309	Snap ring	x
2	301066006	Washer	x	26	301041005	Needle bar support	x
3	370012001	Pressure bar spring	x	27	301016001	Set screw	x
4	301065005	Spring	x	28	370011000	Zigzag driving plate	x
5	301252001	Guide bracket	x	29	301250102	Collar	x
6	301068008	Set screw	x	30	301046000	Set screw	x
7	370036001	Tension release lever A	x	31	301042006	Needle bar support pin	x
8	353821101	Light bulb	x	32	000000206	Snap ring	x
9	380805000	Light cord comp.	x	33	301045009	Eccentric pin	x
10	301415004	Washer	x	34	301047001	Spring	x
11	380041000	Set screw	x	35	360022006	Needle bar	x
12	370017006	Pressure adjusting plate	x	36	360502009	Needle clamp comp.	x
13	301201005	Hinged screw	x	37	301244000	Needle	x
14	370018007	Hinged screw	x	38	301048002	Needle bar stopper plate	x
15	301037008	Set screw	x	39	301245001	Washer	x
16	301257006	Washer	x	40	301049003	Set screw	x
17	370015200	Light socket bracket	x	41	370154006	Presser bar lifter	x
18	370016005	Pressfire regulator plate	x	42	301070003	Hinged screw	x
19	301151009	Nut	x	43	370019008	Light cord bracket	x
20	301061001	Presser bar	x	44	301008000	Set screw	x
21	301522005	Presser foot holder	x	45	370091004	Spring	x
22	353012008	Z/Z presser foot	x	46	370099002	Washer	x
23	370147006	Spring	x				x
24	301071004	Thumb screw	x				x



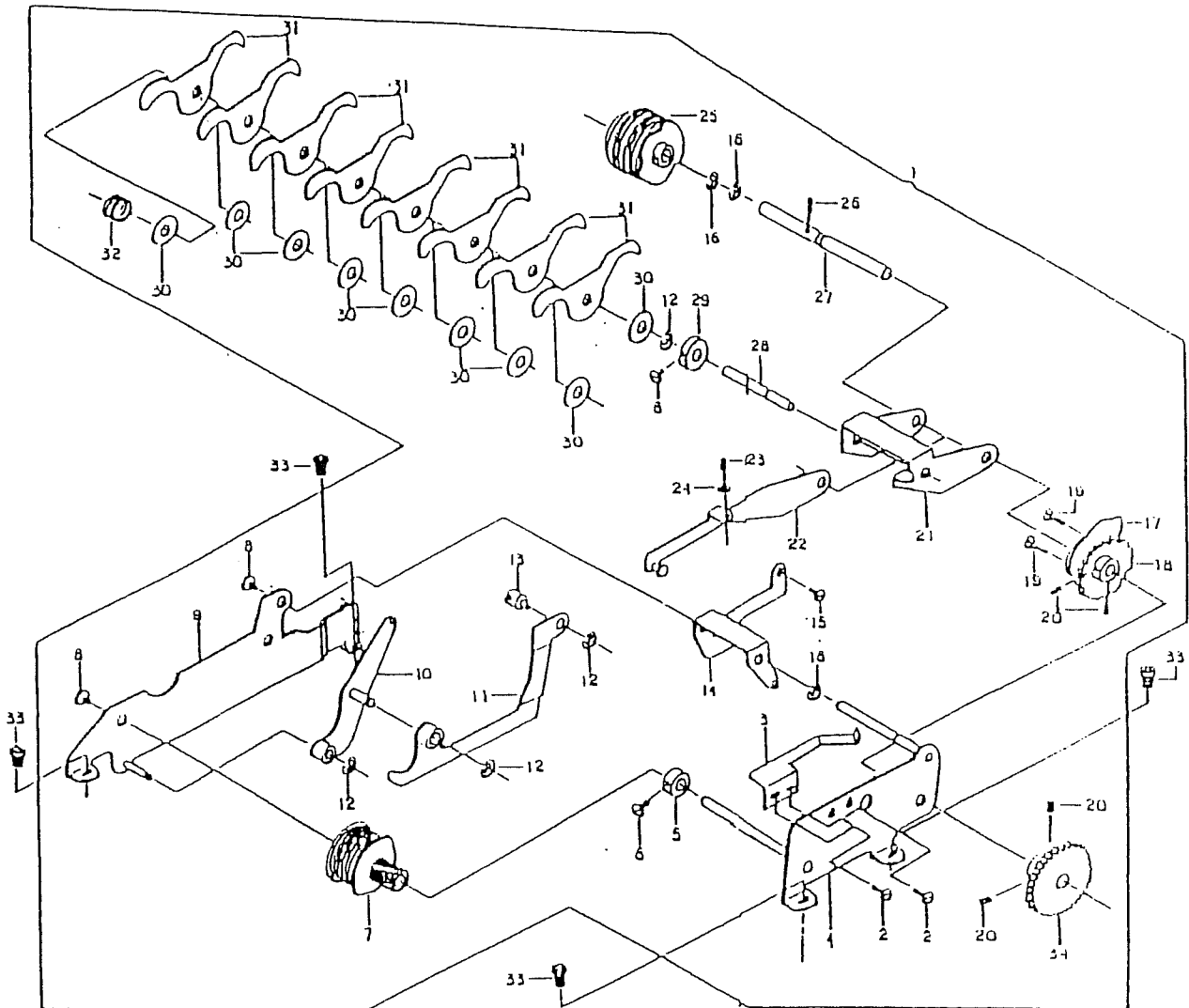
REF NO.	PARTS NO.	HOOK DESCRIPTION	MODEL:					REF NO.	PARTS NO.	HOOK DESCRIPTION	MODEL:				
			3	1	5						3	1	5		
1	301607005	Hook race comp.						12	301121000	Winged screw					
2	301046000	Set screw				x		13	301118004	Clasp(right)					x
3	301130002	Bevel gear					x	14	301542001	Hook race body comp.					x
4	301129008	Hook driver shaft collar					x	15	301541000	Hook driver shaft comp.					x
5	301087003	Set screw				x		16	301126005	Hook driver spring					x
6	301116002	Hook race body				x		17	301127006	Set screw					x
7	301123002	Set screw				x		18	301125004	Hook driver body					x
8	3013120001	Cap spring					x	19	301124003	Hook driver shaft					x
9	301313001	Hook race ring					x	20	301132004	Hook					x
10	301112005	Clasp(left)					x	21	301515005	Bobbin case comp.					x
11	301120009	Clasp spring					x	22	301141006	Bobbin					x



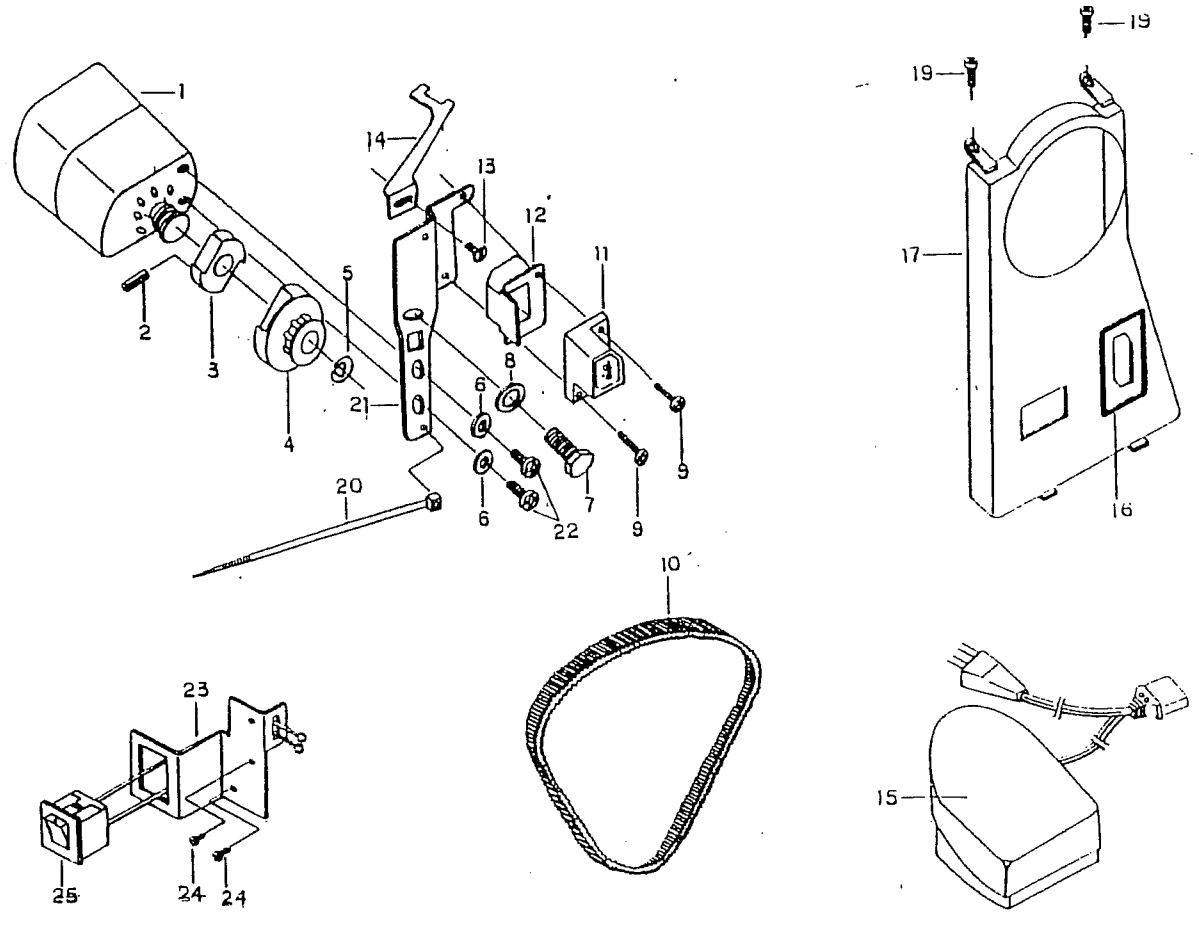
REF NO.	PARTS NO.	ARM SHAFT/ HAND WHEEL/ TAKE-UP LEVER DESCRIPTION	MODELT.					REF NO.	PARTS NO.	ARM SHAFT/ HAND WHEEL/ TAKE-UP LEVER DESCRIPTION	POUFI				
1	370606008	Upper shaft comp.					x	14	701098007	Set screw					
2	701087009	Thread take-up crank					x	15	701097040	Stop motion large screw					
3	000007508	Spring pin					x	16	701096005	Stop motion washer					
4	701084000	Set screw					x	17	701540021	Hand wheel					
5	701067007	Set screw					x	18	000007405	Spring pin					
6	701088004	Front bushing					x	19	353025004	Balanced wheel bushing					
7	701087007	Set screw					x	20	701006008	Rear bushing					
8	301340002	Collar					x	21	701046000	Set screw					
9	770077002	Upper shaft					x	22	701544003	Take-up lever comp.					
10	370505006	Upper shaft worm gear					x	23	701507000	Needle bar holder comp.					
11	701097002	Set screw					x	24	701092001	Set screw					
12	770079004	Set screw					x	25	701086002	Nylon washer					
13	370504005	Feed cam					x	26	250076008	Washer					



Ref No.	Parts No.	FEED SYSTEM DESCRIPTION	MODEL					Ref No.	Parts No.	FEED SYSTEM DESCRIPTION	MODEL				
1	301611002	Feed rock shaft comp.					x	27	303062008	Lead shaft					
2	301241007	Center pin (left)					x	24	303061007	Stitch length cam seat					x
3	301087007	Set screw					x	25	303060006	Stitch length cam					x
4	301174008	Feed dog					x	26	355039030	Stitch length dial					x
5	301171005	Feed rock shaft					x	27	301175009	Set screw					x
6	301171007	Set screw					x	28	355033001	Reverse button spring					x
7	301175009	Feed dog set screw					x	29	301167008	Reverse clamp plate					x
8	301172006	Feed dog base					x	30	360032017	Reverse button					x
9	000000206	Snap ring					x	31	356053011	Indicated plate					x
10	301173007	Feed dog base shaft					x	32	303072001	Wave washer					x
11	301517007	Crank comp.					x	33	303059002	Stitch length seat plate					x
12	301176000	Feed rock shaft crank					x	34	301165006	Set screw					x
13	301177001	Set screw					x	35	000011233	Set screw					x
14	301178002	Set screw					x	36	360036055	Reverse button panel					x
15	301180007	Center pin (right)					x	37	360066009	Connecting crank A					x
16	301608006	Forked rod comp.					x	38	301046000	Set screw					x
17	301147002	Forked rod slide block					x	39	301143008	Set screw					x
18	301146001	Set screw					x	40	360017005	Shaft holder					x
19	301145000	Forked rod					x	41	355007006	Set screw					x
20	000000402	Snap ring					x	42	360018006	Collar					x
21	301179003	Connecting pin					x	43	360068001	Reverse button spring					x
22	301162003	Lead shaft in					x	44	000000206	Snap ring					x
								45	360067000	Connecting crank B					x



REF NO.	PARTS NO.	ZIGZAG MACHANISM/ CAM STACK DESCRIPTION	MODEL					REF NO.	PARTS NO.	ZIGZAG MACHANISM/ CAM STACK DESCRIPTION	MODEL				
1	760621008	Zigzag machanism comp.				3		18	770102009	Angle Index cam					
2	701185002	Set screw				x		19	770033008	Set screw				x	
3	770074001	Angle Index spring plate				x		20	701046000	Set screw				x	
4	760090002	Cam bracket (Front):				x		21	770067001	Follower cam bracket				x	
5	301227100	Collar				x		22	770087007	Zigzag connecting crank				x	
6	701016001	Set screw				x		23	770041009	Adjusting screw				x	
7	770100007	Pattern cam				x		24	701151009	Nut				x	
8	701277006	Set screw				x		25	770101008	Pattern selector cam				x	
9	770061005	Cam bracket (Rear):				x		26	000007601	Spring pin				x	
10	770062006	Selector crank				x		27	770167004	Select shaft A				x	
11	770067007	SS connecting crank				x		28	770072009	Shaft				x	
12	000000206	Snap ring				x		29	370063105	Collar				x	
13	707070007	Stitch rod roller				x		30	770069007	Washer				x	
14	760091007	Bl connecting crank				x		31	770070007	Cam follower				x	
15	701218005	Hinged screw				x		32	770090007	Cam follower spring				x	
16	000000709	Snap ring				x		33	701008000	Set screw				x	
17	770065009	Bl connecting cam				x		34	770076007	Pattern select gear				x	



REF NO.	PARTS NO.	ELECTRICS DESCRIPTION	MODEL	REF NO.	PARTS NO.	ELECTRICS DESCRIPTION	MODEL
1	2508-9004	Motor comp	X	15	250830008	Controller comp.	X
2	000003807	Spring pin	X	16	353019038	Receptacle plate	X
3	301294005	Motor clutch	X	17	301007227	Belt cover	X
4	301530006	Motor pulley comp.	X	19	301008000	Set screw	X
5	00000103	Snap ring	X	20	351047006	Band	X
6	301269001	Washer	X	21	353106000	Motor bracket	X
7	301239002	Set screw	X	22	351046005	Set screw	X
8	301246002	Spring washer	X	23	301306001	Switch fixed plate	X
9	351032008	Set screw	X	24	301185002	Set screw	X
10	301285007	Belt	X	25	37091101	Switch	X
11	351048007	Receptacle	X				
12	351049008	Insulated plate	X				
13	301185002	Set screw	X				
14	301256005	Light cord bracket B	X				