

10/20/20

Parts List



Model 990

029190005 (1)

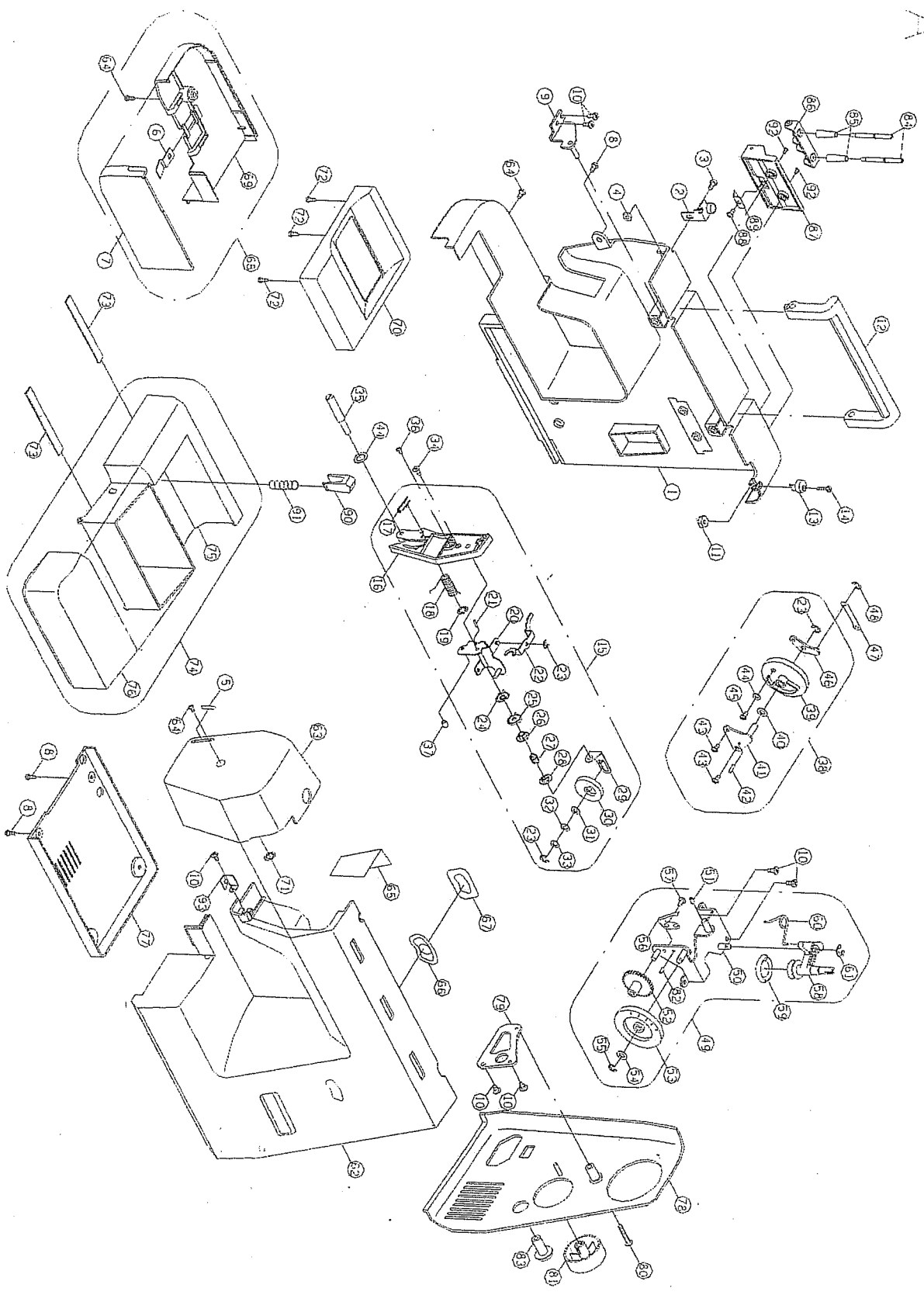
No.	Part No.	Description
1	F4A0693210	Back cover
2	V61325000	Bobbin winder thread guide complete
3	004106111*	Set screw (9/64x40x7)
4	004706026*	Nut (9/64x40)
5	V630593000	Thread cutter
6	R12453002	Hook cover spring
7	F4A0753210	Hook cover (990VA)
8	004240056*	Set screw (M4x6 B)
9	V61253006	Arm top cover plate
10	004240106*	Set screw (M4x8 A)
11	004706013*	Nut (9/64x40 l=3)
12	V61273210	Handle
13	K81683001	Bobbin winder stopper
14	004106162	Set screw (9/64x40x16)
15	F4A3185210	Dial tension complete
16	F4A0113210	Dial tension supporter plate cover
17	V61873000	Thread guide
18	E1A2073000	Thread guide spring
19	003020453	Thread guide spring washer
20	V60243002	Dial tension supporter plate
21	003043010	Spring pin (Ø3x10x0.6)
22	V60263003	Dial tension waft plate
23	003010043*	E-Ring (E-4)
24	J30423001	Dial tension disc(1)
25	J30433001	Dial tension disc(2)
26	R10593000	Dial tension spring regulator
27	K50183003	Dial tension spring
28	K50193000	Dial tension regulator
29	V60273006	Dial tension spring plate
30	F4A7793210	Dial tension knob
31	004300713*	Washer (5.2x10x0.2)
32	004500360*	Washer(WW-5)
33	004300643*	Washer (5.2x10x0.5)
34	004240176*	Set screw (M4x6 D)
35	004240982*	Set screw (M4)
36	004240146*	Set screw (M4x1.5 B)

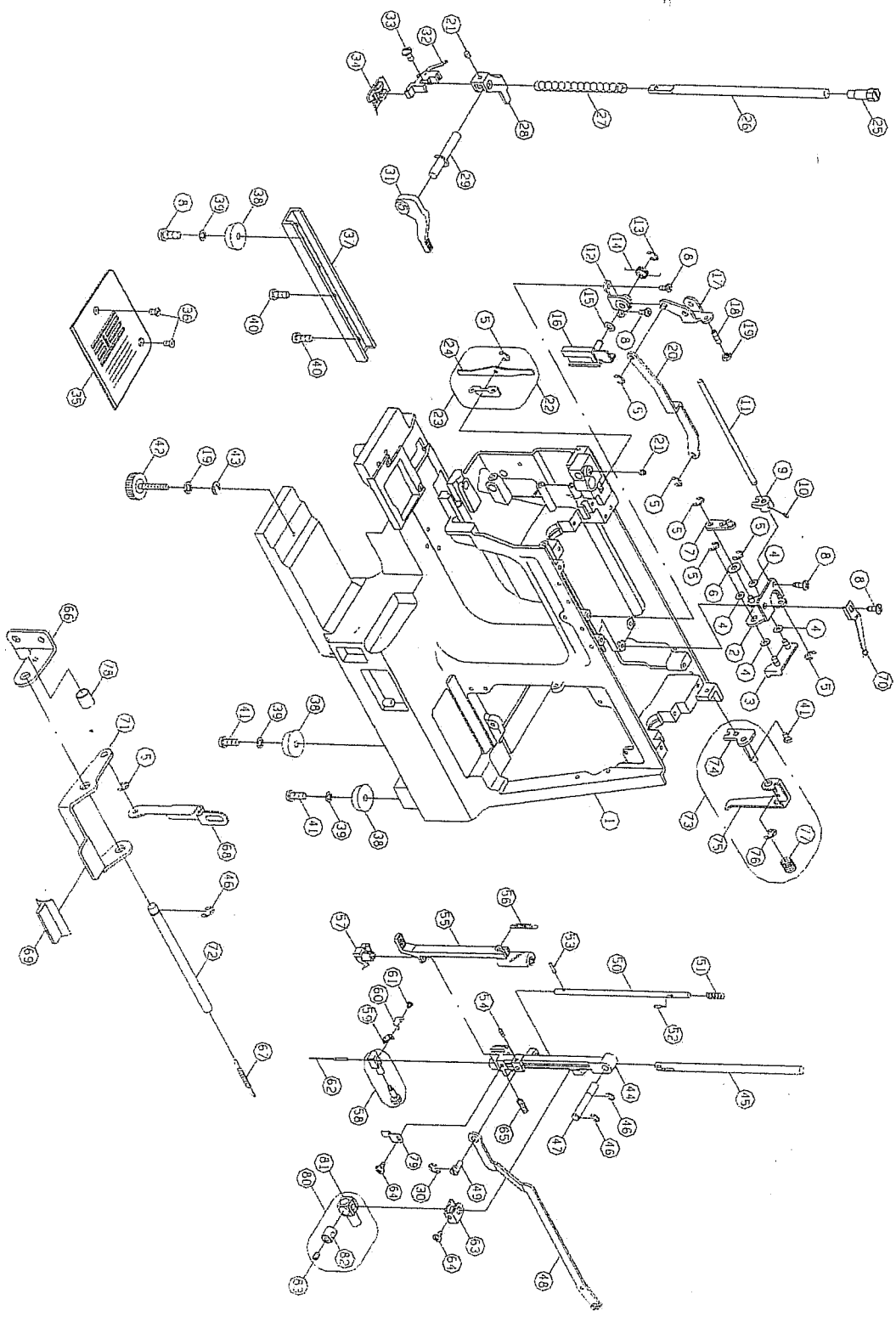
No.	Part No.	Description
37	H11103001	Dial tension guide spring tube
38	E4A8784210	Zig zag width dial complete
39	E4A783210	Zig zag width dial
40	004900063*	Washer
41	E3A0113006	Zig zag width dial plate
42	003043010	Spring pin (Ø3x10)
43	004240056*	Set screw (M4x6 B)
44	004300076*	Washer (4.2x9x0.5)
45	004240782*	Set screw (M4x10 B)
46	E3A0143006	Zig zag width crank
47	E3A0153003	Zig zag width crank rod
48	003010032*	E-Ring (E-4)
49	F4A0514210	Bobbin winder frame complete
50	F4A0525006	Bobbin winder frame
51	003043006	Spring pin (Ø3x6x0.6)
52	V61183000	Feed regulator gear
53	E1A1803210	Feed regulator dial
54	004300186*	Washer (6.2x12x0.5)
55	003010046*	E-Ring (ETW-4)
56	EAA0203003	Feed regulator set plate
57	004240676*	Set screw (M4x5)
58	F4A0545000	Bobbin winder crank complete
59	F20213000	Bobbin winder rubber pulley
60	V61563003	Bobbin winder crank spring
61	003011052*	E-Ring (ETW-5)
62	F4A0653210	Front cover
63	F4A0713210	Face plate
64	004241061*	Set screw (M4x12)
65	E4G0573000	Heat resistant plate
66	F4A0663000	Pattern display window
67	F4A0673000	Sticker
68	F4A0734210	Free arm base plate
69	F4A0743210	Free arm base
70	F4A0763210	Free arm foot bush
71	003020053	Washer (CS-5)
72	004240526*	Set screw (M4x12 B)

No.	Part No.	Description
73	E1A1843000	Sewing table body felt
74	F4A0784210	Sewing table complete
75	F4A0793210	Sewing table body
76	F4A0803210	Sewing table body cover
77	F4A0773210	Plate
78	F4A1113210	Motor drive belt cover
79	E1A172300	Motor drive belt cover frame
80	004241106*	Set screw (M4x25)
81	E4A005321	Selector dial
82	003043008	Pin (SP3x8)
83	E1A170321	Adjusting dial
84	H12773001	Spool pin
85	H12783210	Spool pin roller
86	J70223210	Spool pin plate
87	J70243210	Spool pin plate cover
88	004240066*	Set screw (M4x8 B)
89	J70253001	Spool pin plate cover spring
90	H10133211	Sewing table body guide
91	H10143005	Sewing table body guide spring
92	004241061	Set screw (M4x0.7 L12)
93	F4A0643001	Arm top cover thread guide plate

No.	Part No.	Description
1	E1A2513001	Thread take up lever
2	V10523000	Thread take up lever supporter
3	003010043	E-Ring (ETW-4)
4	V60223003	Thread take up lever supporter shaft
5	H13093003	Set washer
6	004240106*	Set screw (M4x8A)
7	F4A0103000	Arm shaft balance pin
8	V11963000	Arm shaft balance
9	004240223*	Set screw (M4x6)
10	003043524	Arm shaft balance pin (Ø3.5x24)
11	003010093*	E-Ring (ETW-9)
12	R10293000	Arm shaft bushing
13	V60113003	Arm shaft bushing holder plate
14	004400860*	Endure alutition washer
15	R10313000	Arm shaft collar
16	004250203*	Set screw (M5x5)
17	007163160	Motor drive belt
18	F4A0033000	Arm shaft sprocket
19	E1A0065000	Arm shaft worm complete
20	004300853*	Washer (10.2x15x0.5)
21	E4A0143210	Arm shaft drive belt pulley
22	E1A0044000	Arm shaft
23	003043014	Spring pin (Ø3x14)
24	003043018	Spring pin(Ø3x18)
25	R10393000	Arm shaft clutch annulus spring
26	R10403000	Arm shaft collar
27	E1A0073210	Hand wheel
28	004300586*	Hand wheel washer (5.2x16x1.0)
29	004250346*	Set screw (M5x10)
30	V16893210	Hand wheel decorated plate
31	007163471	Motor drive belt (163XXL6.1)
32	F4A3343000	Needle bar crank rod

A



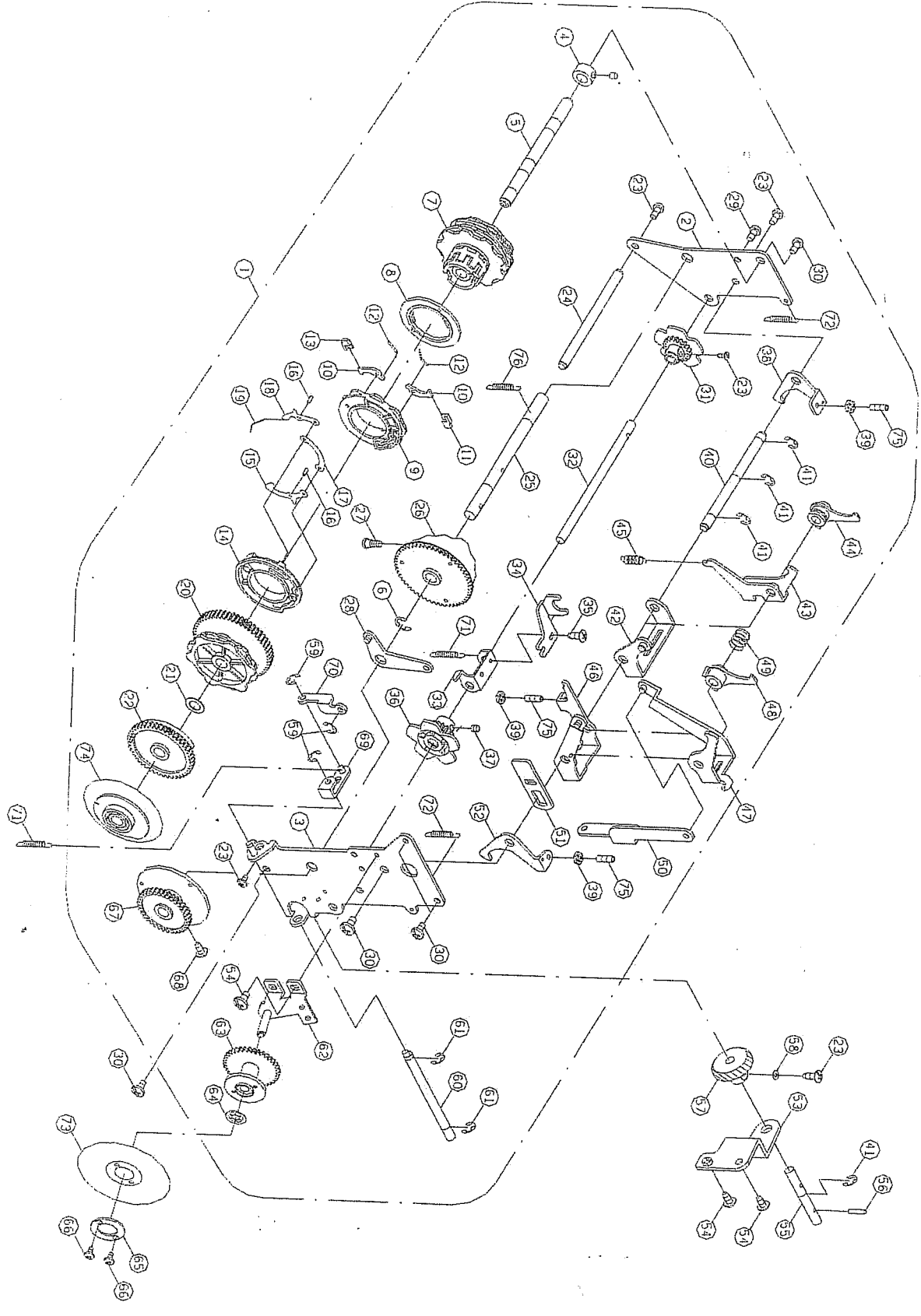


No.	Part No.	Description
1	F4A0013000	Arm
2	F4A0473003	BH selector plate
3	E1A133003	BH slide plate
4	004300076*	Washer(4.2x9x0.5)
5	003010036*	E-Ring(ETW-3)
6	004300693*	Washer(4.2x12x1.2)
7	E1A1413003	BH selector plate
8	004240106*	Set screw(M4x8 A)
9	E1A1423000	BH select crank
10	004230036*	Set screw(M3x6 B)
11	E1A1433003	BH select crank shaft
12	E1A1283003	Zig zag width regulating cam plate
13	003010043*	E-Ring(ETW-4)
14	E1A1333003	Zig zag width spring
15	004300713*	Washer(5.2x10x0.2)
16	E1A1303002	Zig zag width regulating cam
17	E1A1323003	Zig zag regulator crank
18	004240633*	Set screw(M4x12)
19	004840106	Set Nut(ALN-4)
20	E1A1343003	Rod
21	004240943*	Set screw(M4x8)
22	F4A0075000	Tension lever lifter plate
23	F4A0093003	Tension frame
24	F4A0083003	Tension lever lifter
25	V620163210	Presser bar regulating screw
26	E1A0143000	Presser bar
27	E1A2493003	Presser bar spring
28	F4A0063003	Presser bar bracket complete
29	F4A0053003	Presser bar lifter lever shaft
30	003010053*	E-Ring(ETW-5)
31	F4A0043000	Presser bar lifter lever
32	006910008	Shank complete
33	004106211	Shank complete set screw
34	006180008	Zip zap presser foot complete
35	F4A0123004	Needle plate
36	004240851*	Set screw(M4x6)

No.	Part No.	Description
37	F4A0623005	Free arm foot
38	F31103000	Free arm base cushion rubber
39	004300202*	Washer(4.5x10x0.8)
40	004241061*	Set screw(M4x0.7 A)
41	004240056	Set screw(M4x6 B)
42	F4A0635000	Base plate adjustment screw
43	003010036*	E-Ring(ETW-3)
44	F4A3323000	Needle bar supporter
44	FCA0193002	Needle bar supporter
45	M30043000	Needle bar
46	003010056*	E-Ring(ETW-5)
47	R12723003	Needle bar supporter pin
48	E3A0013003	Needle bar driving rod
49	E1A2433000	Needle bar driving rod pin
50	F4A0833002	Auto threaded shaft
51	M70053003	Auto threaded shaft spring
52	003042014*	Auto threaded shaft pin
53	003042006*	Auto threaded shaft pin
54	004106233*	Set screw(9/64x40x5)
55	M70063000	Auto threaded lever
56	M70093000	Auto threaded lever spring
57	E1A2125000	Auto threaded
58	H10205000	Needle clamp complete
59	R12573000	Needle guide plate
60	H10223000	Needle bar thread guide
61	004103011	Set screw(3/32x56x4.1)
62	006046148	Needle
63	M70073002	Auto threaded stopper
64	004230016*	Set screw(M3x6 A)
65	H50583003	Needle bat supporter spring
66	F4A0563003	Reverse plate
67	F4A0813003	Reverse lever spring
68	F4A0603003	Reverse rod
69	V660053210	Reverse button
70	F4A0483003	BH cam plate
71	F4A0583006	Reverse crank

No.	Part No.	Description
72	F4A0593003	Reverse crank shaft
73	V61205003	Clutch rod complete
74	V61213003	Clutch rod plate
75	V61233003	Clutch rod
76	003010046*	E-Ring(ETW-4)
77	V61243003	Clutch rod spring
78	F4A0843000	Reverse plate roller
79	E1A2613002	Needle bar stopper plate
80	H10195000	Needle bar bracket complete
81	H10253000	Needle bar bracket (1)
82	H10263000	Needle bar bracket (2)
83	004240503	Set screw (M4x4 C)

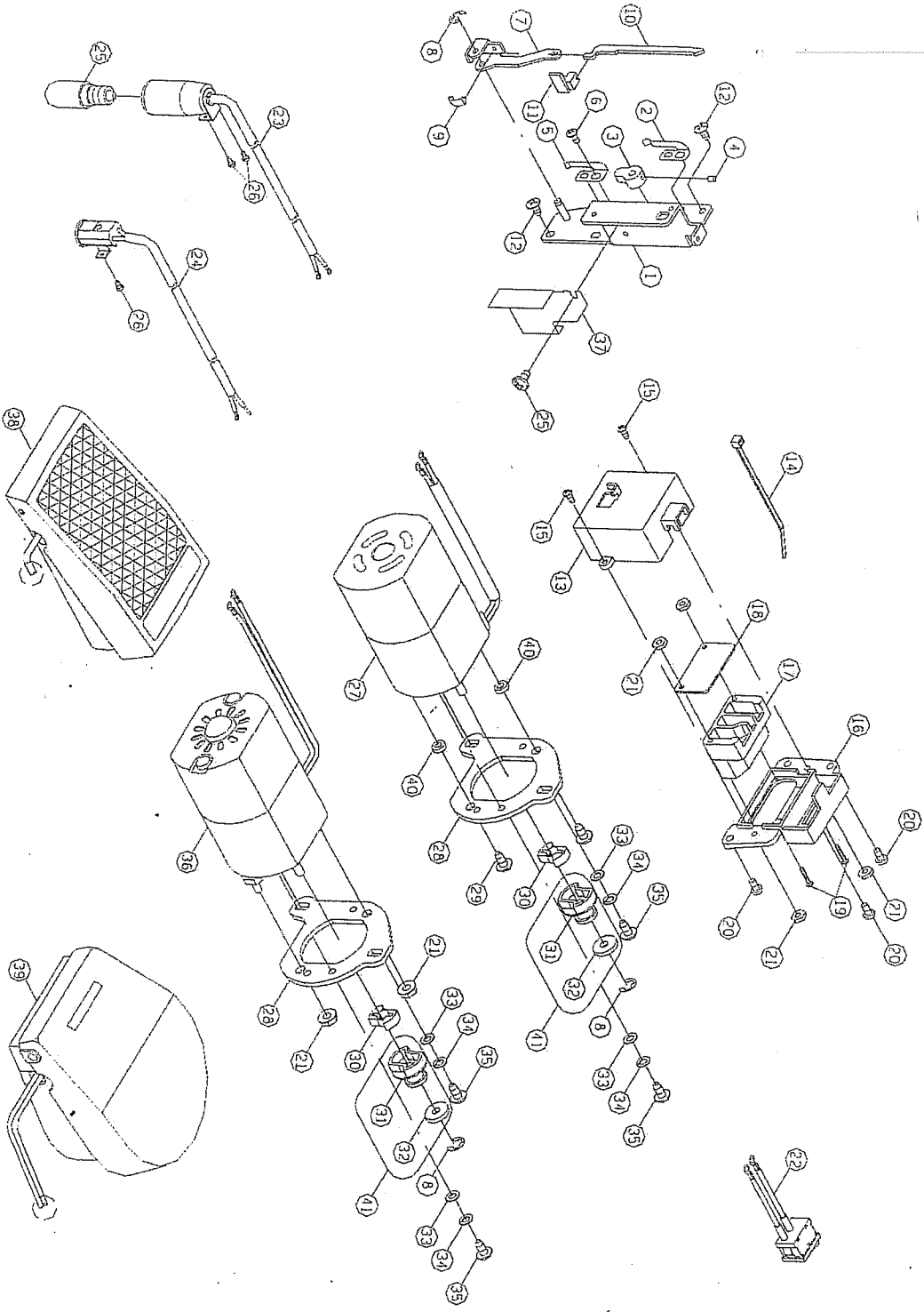
D



No.	Part No.	Description
1	F4A3014000	Pattern cam contact complete
2	E1A0673003	Pattern cam contact plate (back)
3	E1A0653003	Pattern cam contact plate (front)
4	H11935000	Pattern cam shaft collar complete
5	F4A3023003	Pattern cam shaft
6	003010063	E-Ring (ETW-6)
7	F4A3033000	Pattern cam
8	E1A0833000	Straight stitch cam
9	E1A0783000	BH cam
10	E1A0793002	BH contact
11	E1A0813000	BH slide block B
12	E1A0823000	BH contact spring plate
13	E1A0803000	BH slide block A
14	E1A0723000	BH feed regulator cam
15	E1A0743002	BH clutch contact A
16	E1A0733000	BH clutch shaft
17	E1A0763002	BH clutch lever
18	E1A0753002	BH clutch contact B
19	E1A0773003	BH clutch spring plate
20	E1A0703000	SS cam
21	004300863*	Washer (8.2x14x0.5)
22	EAA003300	Feed regulator cam
23	004230286*	Set screw (M3x8 B)
24	F4A3063003	Pattern cam contact supporter shaft
25	F4A3073003	Pattern selector cam shaft
26	F4A3083000	Pattern selector cam
27	004240423	Set screw (M4)
28	E1A1033003	Pattern selector adjusting lever
29	004240046*	Set screw (M4x10 B)
30	004240106*	Set screw (M4x8 A)
31	E1A1053000	Zig zag cam
32	F4A3093000	Pattern selector cam shaft
33	E1A1073006	Zig zag movement contact
34	E1A1083003	Movement plate
35	004230016*	Set screw (M3x6 A)

No.	Part No.	Description
37	004240503*	Set screw (M4x4)
38	E1A0893003	Zig zag release plate
39	004840106	Nut (ALN-4)
40	F4A3043000	Zig zag cam contact supporter shaft
41	003010056*	E-Ring (ETW-5)
42	F4A3053003	Zig zag cam contact supporter
43	E4A0033003	BH Feed crank
44	EAA0063003	Zig zag cam contact
45	E1A0973003	BH Feed crank spring
46	EAA0093003	BH adjusting crank
47	F4A0443003	SS cam contact supporter
48	EAA0083003	SS cam contact
49	E1A0903003	SS cam contact spring
50	F4A0453003	Feed rock shaft
51	E1A0983003	BH adjusting plate
52	E1A0993003	Stretch stitch release plate
53	F4A3303003	Selector dial plate
54	004240056*	Set screw (M4x6 B)
55	E1A1243006	Selector dial shaft
56	003042512*	Spring pin (Ø2.5x12)
57	F4A3113000	Selector gear
58	004300676*	Washer (3.2x8x0.8)
59	003010033*	E-Ring (ETW-3)
60	E1A1113000	Adjusting shaft
61	003010043*	E-Ring (ETW-4)
62	E1A1183003	Pattern gear plate
63	E1A1203000	Pattern gear
64	003020043*	CS ring
65	E1A1213006	Pattern selector plate
66	004220076*	Set screw (M2x5)
67	E1A1173000	Zig zag selector cam
68	004240046*	Set screw (M4x10 B)
69	E1A1123003	BH adjusting hook holder
70	E1A1133003	BH adjusting rod
71	M70093000	Auto Threaded lever screw

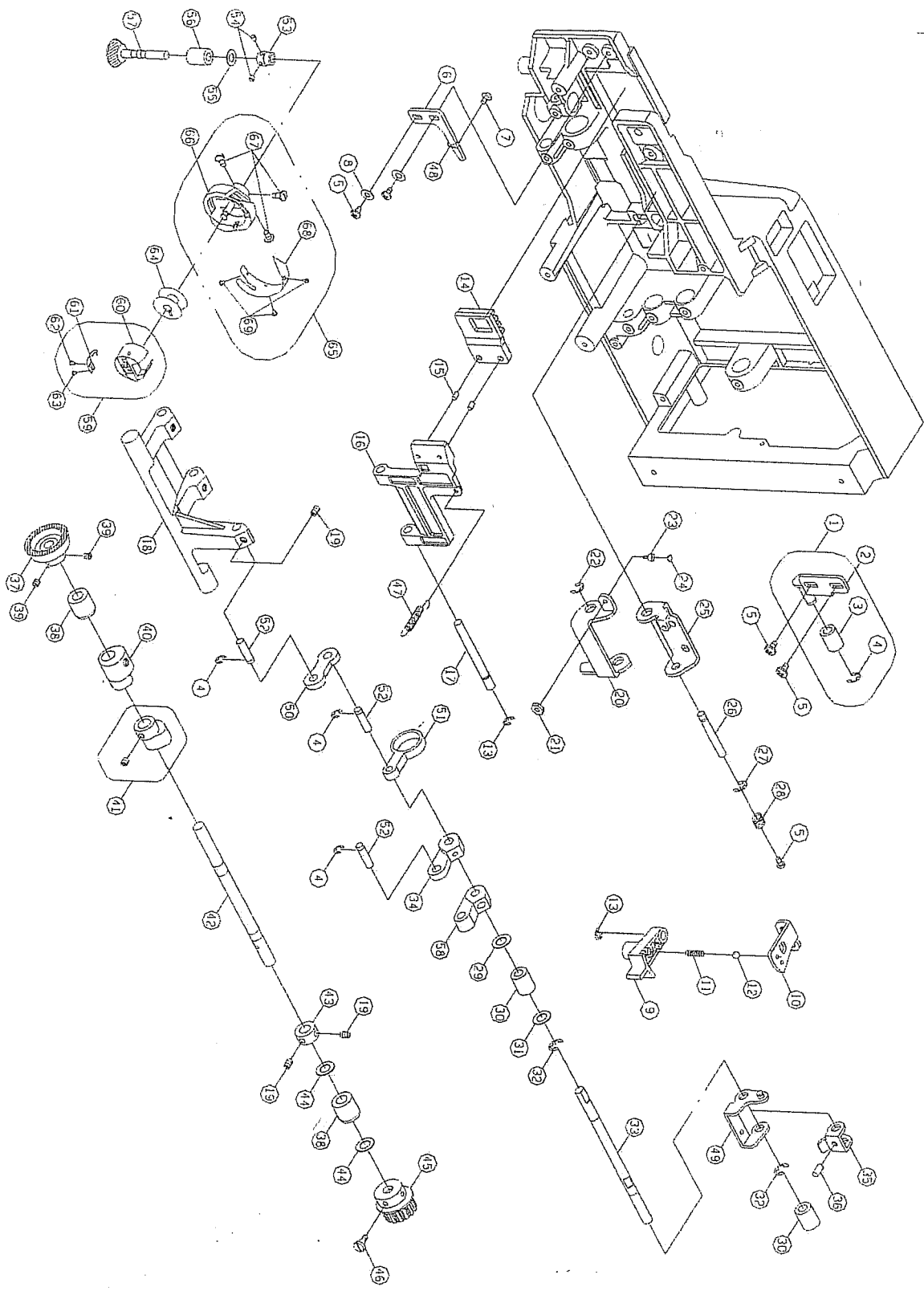
No.	Part No.	Description
73	F4A~	Pattern selector plate
74	EAA0023000	Stretch stitch selector cam
75	004241093*	Set screw (M4x9)
76	F4A3313003	Feed regulating crank spring



No.	Part No.	Description
1	F4A0503006	BH lever plate
2	E1A1533003	BH positioned plate
3	E1A1513000	BH movement crank
4	004230433*	Set screw (M3x3)
5	E1A1523003	BH positioned plate
6	004240676*	Set screw (M4x5 B)
7	E1A1473003	BH lever crank
8	003010036*	E-Ring (ETW-3)
9	E1A1483003	BH lever spring plate
10	E1A1493002	BH lever
11	F4A6003210	BH lever button
12	004240056*	Set screw (M4x6 B)
13	E1A1973210	Receptacle holder cover
14	002027129	Cord clip
15	004230286*	Set screw (M3x8 B)
16	002252129	Receptacle holder
17	002253129	Receptacle (51-579033A)
18	002025129	Consent insulation plate
19	004230045*	Set screw (M3x20 B)
20	004240066*	Set screw (M4x8)
21	004830015*	Nut (M3 (=2,3))
22	002425118	Receptacle
23	002131118	Lamp holder complete (only for 220-240V)
24	002071418	Lamp holder complete (only for 120V)
25	005100011	Lamp (100V 15W E-12)
25	005120021	Lamp (120V 10W E-12)
25	005240011	Lamp (240V 15W E-14)
26	004230055	Set screw (M3x5)
27	001119709	Motor complete (for 230V) 4C-727G100ZH
27	001067109	Motor complete (for 240V) YM-340-7
27	001066109	Motor complete (for 220V) YM-340-7
28	002504025	Motor bracket
29	004240395	Set screw (M4x11.7)
30	008059302	Cushion rubber
31	002396029	Belt wheel
32	002145029	Motor feed regulator collar

No.	Part No.	Description
33	004300306*	Washer (5.4x10x0.9)
34	004600296*	Spring washer (5.2x9x1)
35	004250086*	Set screw (M4x10.2)
36	001068109	Motor complete (for 120V) YM-45B-C
37	E1A237300	Shield
38	001314109	Foot controller (4C-326G202)
38	001069109	Foot controller (YC-483-5)
38	001070309	Foot controller (YC-483-5) (for U.K.)
38	000107109	Foot controller (YC-482T)
39	001268709	Foot controller (YC-190)
40	004300756	Washer (4.1x11.5x4.1)
41	002396028	Belt wheel complete

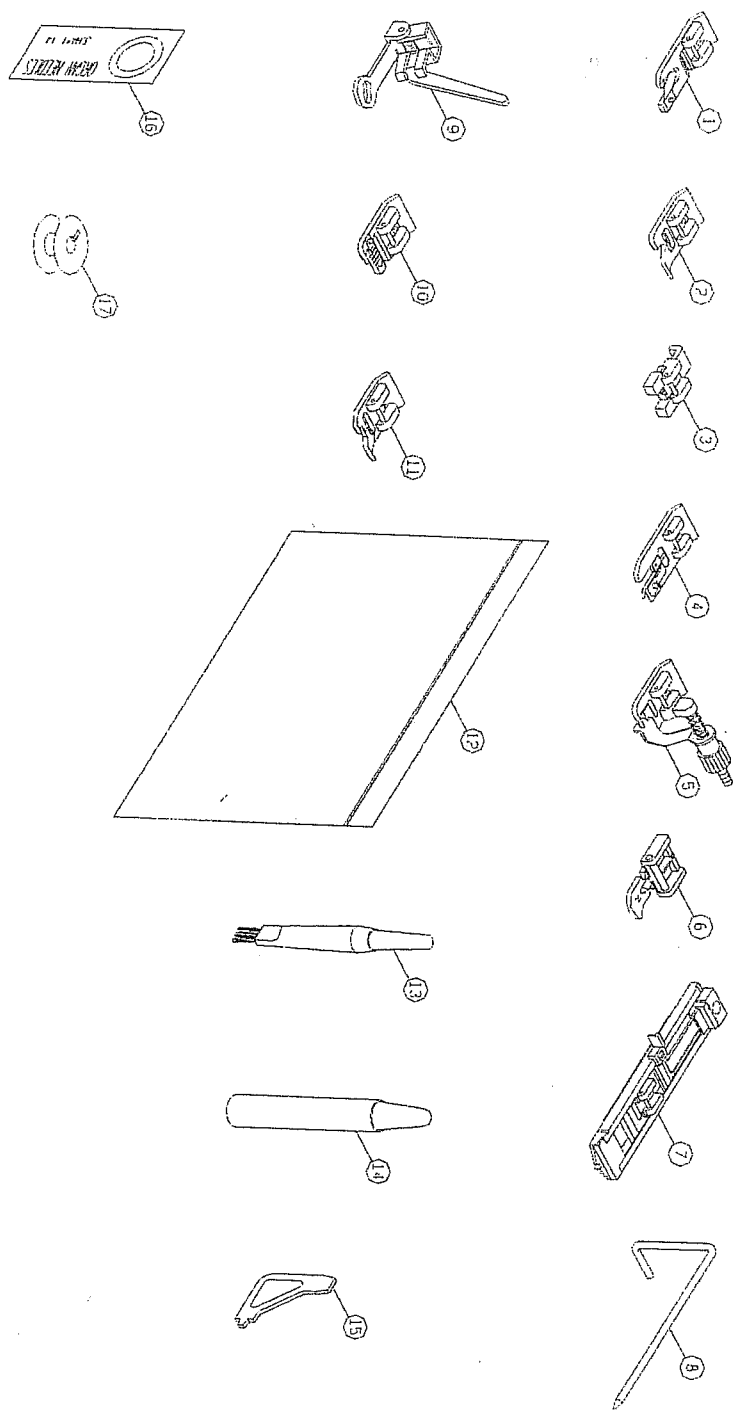
F



No.	Part No.	Description
1	F4A0195000	Belt adjusting plate complete
2	F4A0203003	Belt adjusting plate
3	H12323000	Belt adjusting plate pulley
4	003010043*	E-Ring (ETW-4)
5	004240106*	Set screw(M4x8 A)
6	F4A0233003	Rotary hook holder
7	004103072*	Set screw(SM3/32xS6 L=3)
8	004300436*	Washer(4.2x10x1)
9	F4A0403210	Feed dog lifting rod
10	F4A0413006	Feed dog lifting plate
11	K81323003	Feed lifting shaft spring
12	H12653000	Steel ball
13	003010046*	E-Ring(ETW-4)
14	F4A0283001	Feed dog
15	004104012*	Set screw(1/18x4x5)
16	F4A0263000	Feed dog frame
17	F4A0273003	Feed dog frame shaft
18	F4A0233000	Feed rock shaft
19	004240503*	Set screw(M4x4)
20	F4A0363003	Feed rock crank
21	004840106	Adjusting nut(ALN-4)
22	003010063*	E-Ring(ETW-6)
23	004250323*	Set screw(M4x7)
24	K81243000	Set screw knob
25	F4A0353003	Feed lifting rock frame
26	F4A0373003	Feed lifting rock shaft
27	004300936*	Washer(8.2x12x0.5)
28	V10693003	Zig zag cam contact spring
29	004400570*	Endure attrition washer
30	R11443000	Feed rock bushing
31	004300123*	Washer(6.7x12x1)
32	003011052*	E-Ring(ETW-5)
33	E1A0483003	Feed regulating shaft
34	F4A0293000	Feed regulating crank
35	E1A0493003	Feed crank
36	004240943	Set screw(M4x8)

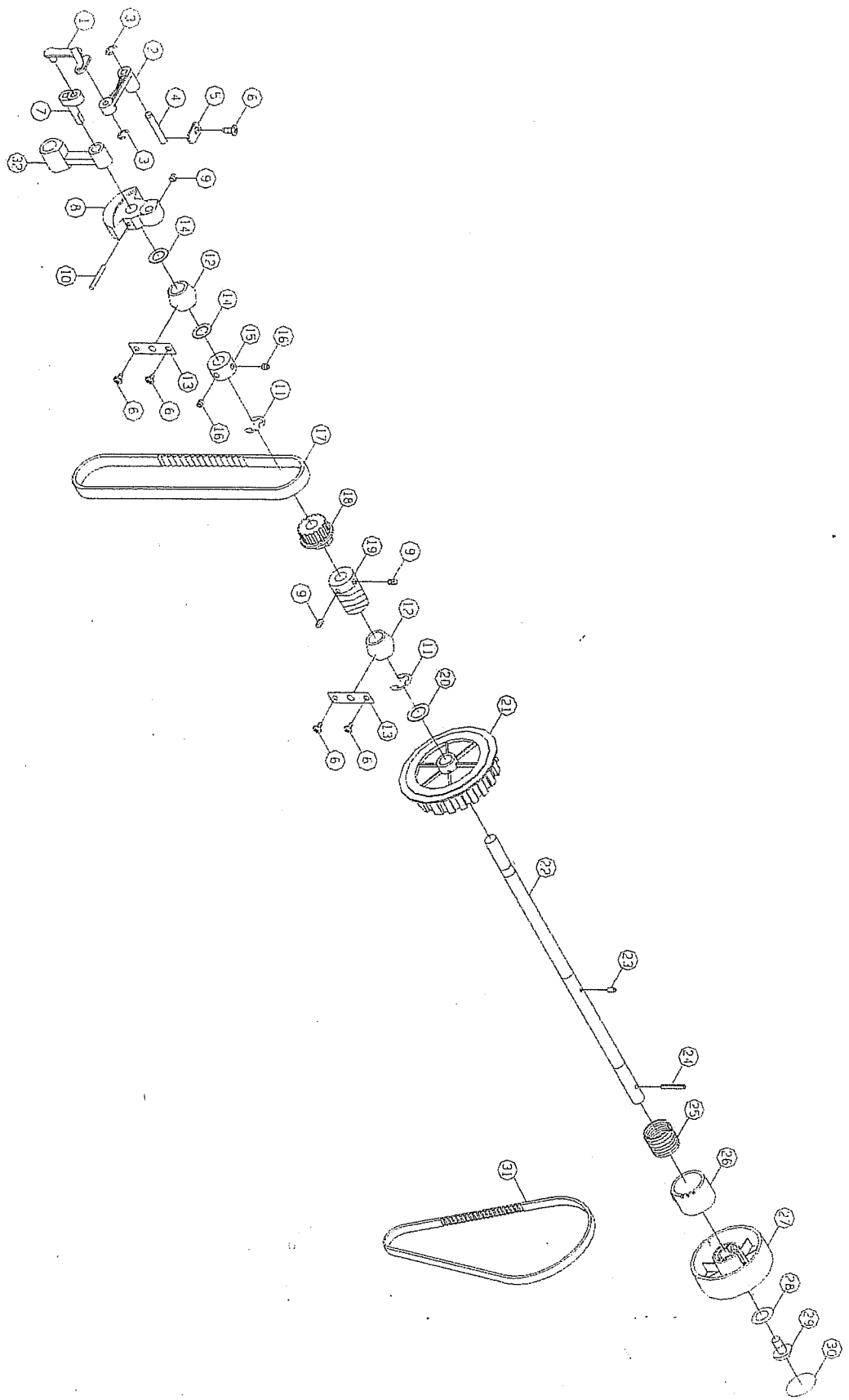
No.	Part No.	Description
37	R11543003	Lower shaft gear
38	F4A0153003	Lower shaft bushing
39	004107023*	Set screw (1/16x4x0.5)
40	F4A0163000	Feed lifting rock cam
41	F4A0173000	Feed rock cam
42	F4A0143000	Lower shaft
43	F4A0133003	Lower shaft collar
44	004400880*	Endure attrition washer(7.2x12x0.5)
45	F4A0183000	Lower shaft belt pulley
46	004240223*	Set screw(M4x6)
47	F4A0853003	Feed dog frame spring
48	J30563000	Rotary hook plate
49	F4A0313003	Feed regulating plate
50	R11863003	Feed rock rod (1)
51	R11613000	Feed rock rod (2)
52	R11883003	Feed rock rod (2) shaft
53	F4A3253003	Shuttle drive shaft collar
54	004230513	Set screw(M3x3)
55	004400180*	Endure attrition washer(5.7x10.5x0.5)
56	F4A3263000	Shuttle drive shaft bushing
57	R11685000	Shuttle drive shaft gear complete
58	R11403000	Feed regulator crank frame
59	H12405000	Bobbin case complete
60	H12406000	Bobbin case
61	H13963002	Bobbin case spring
62	H13973002	Bobbin case spring set screw
63	H13983002	Bobbin case spring set screw
64	H12413002	Bobbin
65	H12395000	Rotary hook complete
66	H12393002	Rotary hook
67	0044107233	Rotary hook complete set screw
68	H13923002	Rotary hook complete spring
69	H13943002	Rotary hook complete spring set screw

G



NOTE: When you order any spare parts from us, please cooperate with us by writing.

- (1) Section & Sequence No.
- (2) Name of parts
- (3) Voltage, if necessary
- (4) Others, if any
- (5) "*" means: These spare parts are not supplied individually, but can be obtained by minimum quantity of 700



No.	Part No.	Description
1	006900008	Hemmer foot(K)
2	006180008	Zig zag foot
3	006914008	Button sew on foot
4	006183008	Overcasting foot
5	006184008	Blind hem foot
6	006905008	Zipper foot (I)
7	006171008	Buttonhole foot (D)
8	006008001	Quilting bar
9	006016008	Embroidery
10	006810008	Cording foot
11	006182008	Satin stitch foot
12	006011009	Accessories bag
13	006099008	Brush & Seam ripper complete
14	006013009	Oiler
15	006093009	Screw driver
16	006014148	Needle
17	H12413002	Bobbin