

SIRUBA

GAGE PARTS LIST

Series
700K

Remark

Page

Date

1 / 2

2014/01/16

機 型 MODEL	針板 NEEDLE PLATE	送具 FEED DOG	送具 FEED DOG	押具 PRESSER FOOT	勾 針 LOOPER	針留 NEEDLE CLAMP	束 子 COLLER	衝 程 CRANK	衝 程 CRANK	大 心 Crankshaft	勾針連桿座 Upper Looper Holder	過線器 Bracket	下刀架 Lower Knife Holder	針 號 NEEDLE	
737K	503M2-04	E222	D210	D207	H204	P201-14A	LP231	KG231K-E	KJ204	KF203-E	KJ206-E	KD201K	KJ236	KJ219	DCX27#11
	504F1-04	E206	D201	D207	H201	P201-14A	LP225	KG231K-E	KJ204	KF203-E	KJ206-E	KD201K	KJ236	KJ219	DCX27#9
	504F1-15	E239K	D201	D217	H201	P214P-A	LP225	KG231K-E	KJ204	KF203-E	KJ206-E	KD201K	KJ236	KJ219	DCX27#9
	504F2-02/GAL	E239K	D201	D217	H201	P214P-2A	LP225	KG231K-E	KJ204	KF203-E	KJ206-E	KD201K	KJ236	KJ219	DCX27#9
	504M1-15	E207	D201	D209	H201	P211-A	LP225	KG231K-E	KJ204	KF203-E	KJ206-E	KD201K	KJ236	KJ219	DCX27#9
	504M2-04	E222	D210	D207	H204	P201-14A	LP225	KG231K-E	KJ204	KF203-E	KJ206-E	KD201K	KJ236	KJ219	DCX27#11
	504M2-04LFC-3	E222	D210	D207	H204	P218-3	LP225	KG231K-E	KJ204	KF203-E	KJ206-E	KD201K	KJ236	KJ219	DCX27#11
	504M2-04TR	E222	D210	D207	H204	P216-3	LP225	KG231K-E	KJ204	KF203-E	KJ206-E	KD201K	KJ236	KJ219	DCX27#11
	WR/LFC-3	E246					LP225	KG231K-E	KJ204	KF203-E	KJ206-E	KD201K	KJ236	KJ219	DCX27#11
	504M3-04	E220	D210	D209	H204	P201-14A	LP225	KG231K-E	KJ204	KF203-E	KJ206-E	KD201K	KJ236	KJ219	DCX27#11
	504M3-05	E221	D210	D209	H204	P201-14A	LP225	KG231K-E	KJ204	KF203-E	KJ206-E	KD201K	KJ236	KJ219	DCX27#11
	504M3-05PZ	E221	D210	D209	H204	P257-A	LP225	KG231K-E	KJ204	KF203-E	KJ206-E	KD201K	KJ236	KJ219	DCX27#11
	504M5-04BK	E232	D203	D207	H203	P202-2A	LP225	KG231K-E	KJ204	KF203-E	KJ206-E	KD201K	KJ236	KJ219	DCX27#11
	504M5-04BK-1	E232	D203	D207	H203	P202-2A	LP225	KG231K-E	KJ204	KF203-E	KJ206-E	KD201K	KJ236	KJ219	DCX27#11
	505F1-04	E206	D201	D207	H201	P203-A	LP225	KG231K-E	KJ204	KF203-E	KJ206-E	KD201K	KJ236	KJ219	DCX27#11
512M1-25	E208	D210	D207	H204	P201-A	LP228	KG242K-E	KJ204	KF215-E	KJ203-E	KD201K	KJ208	KJ219	DCX27#11*2	
512M1-34	E236	D210	D207	H204	P214-A	LP228	KG254K-E	KJ204	KF215-E	KJ203-E	KD201K	KJ208	KJ219	DCX27#11*2	
514F1-24	E212K	D210	D207	H204	P201-A	LP226	KG242K-E	KJ234K	KF203-E	KJ203-E	KD201K	KJ208	KJ219	DCX27#11*2	
514H4-24GA	E229	D202	D207	H202	P204-A	LP226	KG242K-E	KJ234K	KF203-E	KJ203-E	KD201K	KJ208	KJ219	DCX27#11*2	
514H4-24GA/P	E229	D202	D207	H202	P204P-A	LP226	KG242K-E	KJ234K	KF203-E	KJ203-E	KD201K	KJ208	KJ219	DCX27#11*2	
514M2-24	E229	D210	D207	H204	P201-A	LP226	KG242K-E	KJ234K	KF203-E	KJ203-E	KD201K	KJ208	KJ219	DCX27#11*2	
514M2-24TG	E229	D210	D207	H204	P254J-4A	LP226	KG242K-E	KJ234K	KF203-E	KJ203-E	KD201K	KJ208	KJ219	DCX27#11*2	
514M2-24LFC-3	E229	D210	D207	H204	P218-4	LP226	KG242K-E	KJ234K	KF203-E	KJ203-E	KD201K	KJ208	KJ219	DCX27#11*2	
514M2-25	E208	D210	D207	H204	P201-A	LP226	KG242K-E	KJ234K	KF203-E	KJ203-E	KD201K	KJ208	KJ219	DCX27#11*2	
514M2-25LFC-3	E208	D210	D207	H204	P254J-4A	LP226	KG242K-E	KJ234K	KF203-E	KJ203-E	KD201K	KJ208	KJ219	DCX27#11*2	
514M2-28	E239	D210	D207	H204	P218-4	LP226	KG242K-E	KJ234K	KF203-E	KJ203-E	KD201K	KJ208	KJ219	DCX27#11*2	
514M4-23	E249	D210	D209	H204	P201-8A	LP226	KG242K-E	KJ234K	KF203-E	KJ203-E	KD201K	KJ208	KJ219	DCX27#11*2	
514M5-23BK	E210	D203	D207	H203	P202-A	LP226	KG242K-E	KJ234K	KF203-E	KJ203-E	KD201K	KJ208	KJ219	DCX27#11*2	
514M5-23BK-1	E210	D203	D207	H203	P202-A	LP226	KG242K-E	KJ234K	KF203-E	KJ203-E	KD201K	KJ208	KJ219	DCX27#11*2	

SIRUBA

GAGE PARTS LIST

Series 700K

Series

Remark

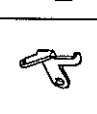
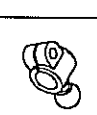
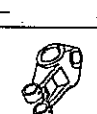
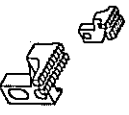
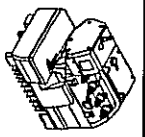
Page

Date

2 / 2

2013/09/01

機 型 MODEL	針板 NEEDLE PLATE	送具 FEED DOG	送具 FEED DOG	押具 PRESSER FOOT	勾 針 LOOPER	針留 NEEDLE CLAMP	束 子 COLLER	衝 程 CRANK	衝 程 CRANK	大 心 Crankshaft	勾針連桿座 Upper Looper Holder	過線器 Bracket	下刀架 Lower Knife Holder	針 號 NEEDLE	
747K	514M5-24BK	E247	D203	H203	P202-A	LP226	KG242K-E	KJ234K	KF203-E	KJ203-E	KD201K	KJ208	KJ219	DCX27#11*2	
	514M5-24BK-1	E247	D203	H203	P202-A	LP226	KG242K-E	KJ234K I	KF203-E	KJ203-E	KD201K	KJ219	KR209	DCX27#11*2	
	514M7-24	E226	D212	H210	P201-A	LP230	KG242K-E	KJ204K	KF203-E	KJ203-E	KD201KA	KJ228	KR209	DCX27#16*2	
	514M7-24BK	E247	D203	H203	P202-A	LP230	KG242K-E	KJ204K	KF203-E	KJ203-E	KD201KA	KJ238	KR209	DCX27#16*2	
	514M7-24BK-1	E247	D203	H203	P202-A	LP230	KG242K-E	KJ204K	KF203-E	KJ203-E	KD201KA	KJ238	KR209	DCX27#16*2	
	514M7-24TG	E226	D212	H210	P254J-4A	LP230	KG242K-E	KJ204K	KF203-E	KJ203-E	KD201KA	KJ228	KJ238	KR209	DCX27#16*2
	514M7-25	E225	D212	H210	P201-A	LP230	KG242K-E	KJ204K	KF203-E	KJ203-E	KD201KA	KJ228	KJ238	KR209	DCX27#16*2
	514M7-25BK	E248	D203	H203	P202-A	LP230	KG242K-E	KJ204K	KF203-E	KJ203-E	KD201KA	KJ228	KJ238	KR209	DCX27#16*2
	514M7-25BK-1	E248	D203	H203	P202-A	LP230	KG242K-E	KJ204K	KF203-E	KJ203-E	KD201KA	KJ228	KJ238	KR209	DCX27#16*2
	514M7-25TG	E225	D212	H210	P254J-4A	LP230	KG242K-E	KJ204K	KF203-E	KJ203-E	KD201KA	KJ228	KJ238	KR209	DCX27#16*2
757K	401M1/TW	E237	D219	H219	P506-A	LP226	KG253K-E	KJ204	KF203-E	KJ206-E	KD201K	TW201		DCX27#14*1	
	516H4-35GA	E213	D204	H205	P508J-A	LP226	KG253K-E	KJ204 I	KF203-E	KJ206-E	KD201K	KJ236	KJ219	DCX27#14*2	
	516H4-35GA/P	E213	D204	H205	P508JP-A	LP226	KG253K-E	KJ204	KF203-E	KJ206-E	KD201K	KJ236	KJ219	DCX27#14*2	
	516H4-55GA	E214	D205	H206	P509J-A	LP226	KG253K-E	KJ204	KF203-E	KJ206-E	KD201K	KJ236	KJ219	DCX27#14*2	
	516H4-55GA/P	E214	D205	H206	P509JP-A	LP226	KG253K-E	KJ204	KF203-E	KJ206-E	KD201K	KJ236	KJ219	DCX27#14*2	
	516L1-24	E215	D206	H207	P500J-A	LP225	KG252K-E	KJ204	KF203-E	KJ206-E	KD201K	KJ236	KJ219	DCX27#14*2	
	516L1-35	E216	D206	H212	P504J-A	LP225	KG253K-E	KJ204	KF203-E	KJ206-E	KD201K	KJ236	KJ219	DCX27#14*2	
	516M2-35	E217	D208	H208	P504J-A	LP226	KG253K-E	KJ204	KF203-E	KJ206-E	KD201K	KJ236	KJ219	DCX27#14*2	
	516M2-35PS	E227	D208	H214	P504JS-A	LP226	KG253K-E	KJ204	KF203-E	KJ206-E	KD201K	KJ236	KJ219	DCX27#14*2	
	516M2-55	E218	D208	H209	P502J-A	LP226	KG255K-E	KJ204	KF203-E	KJ206-E	KD201K	KJ236	KJ219	DCX27#14*2	
516M2-55PS	E228	D208	H215	P502JS-A	LP226	KG255K-E	KJ204	KF203-E	KJ206-E	KD201K	KJ236	KJ219	DCX27#14*2		
516X2-56	E234	D216A	H220A	P962-A	LP230	KG255K-E	KJ204	KF203-E	KJ206-E	KD201KA	KJ236	KJ219	DCX27#16*2		
401M2-50TA	E238	D211	H216	P223-A	LP230	KG256K-E	KJ204	KF203-E	KJ206-E	KD201K	TW201		DCX27#14*2		
516M2-324	E219	D208	H209	P233J-A	LP226	KG433K-E	KJ234K I	KF203-E	KJ203-E	KD201K	KJ208	KJ219	KR219	DCX27#11*3	
516M2-524	E224	D208	H209	P255J-A	LP226	KG455K-E	KJ234K	KF203-E	KJ203-E	KD201K	KJ208	KJ219	KR219	DCX27#11*3	



SIRUBA

GAGE PARTS LIST

Series 988

Remark

Page 1 / 2

Date 2014/06/12

機 型 MODEL	針板 NEEDLE PLATE	送具 FEED DOG	送具 FEED DOG	押具 PRESSER FOOT	勾針 LOOPER	針留 NEEDLE CLAMP	束子 COLLER	衝程 CRANK	衝程 CRANK	大心 Crank-shaft	勾針連桿座 Upper Looper Holder	過線器 Bracket	下刀架 Lower Knife Holder	針號 NEEDLE
503M2-04	E222	D210	D207	H204	P201-14A	LP231	KJ204	KF203-E	KJ206-E	KD201K	KJ236	KJ219	KR209	DCX27#11
504F1-04	E206	D201	D207	H201	P201-14A	LP225	KJ204	KF203-E	KJ206-E	KD201K	KJ236	KJ219	KR209	DCX27#9
504F1-15	E233K	D201	D217	H201	P214P-A	LP225	KJ204	KF203-E	KJ206-E	KD201K	KJ236	KJ219	KR209	DCX27#9
504F2-02/GAL	E233K	D201	D217	H201	P214P-2A	LP225	KJ204	KF203-E	KJ206-E	KD201K	KJ236	KJ219	KR209	DCX27#9
504M1-15	E207	D201	D209	H201	P211-A	LP225	KJ204	KF203-E	KJ206-E	KD201K	KJ236	KJ219	KR209	DCX27#9
504M2-04	E222	D210	D207	H204	P201-14A	LP225	KJ204	KF203-E	KJ206-E	KD201K	KJ236	KJ219	KR209	DCX27#11
504M2-04LFC-3	E222	D210	D207	H204	P218-3	LP225	KJ204	KF203-E	KJ206-E	KD201K	KJ236	KJ219	KR209	DCX27#11
504M2-04TR	E222	D210	D207	H204	P216-3	LP225	KJ204	KF203-E	KJ206-E	KD201K	KJ236	KJ219	KR209	DCX27#11
988-3T WR/LFC-3	E246					LP225	KJ204	KF203-E	KJ206-E	KD201K	KJ236	KJ219		DCX27#11
504M3-04	E220	D210	D209	H204	P201-14A	LP225	KJ204	KF203-E	KJ206-E	KD201K	KJ236	KJ219	KR209	DCX27#11
504M3-05	E221	D210	D209	H204	P201-14A	LP225	KJ204	KF203-E	KJ206-E	KD201K	KJ236	KJ219	KR209	DCX27#11
504M3-05PZ	E221	D210	D209	H204	P257-A	LP225	KJ204	KF203-E	KJ206-E	KD201K	KJ236	KJ219	KR209	DCX27#18
504M5-04BK	E232	D203	D207	H203	P202-2A	LP225	KJ204	KF203-E	KJ206-E	KD201K	KJ236	KJ219	KR209	DCX27#11
504M5-04BK-1	E232	D203	D207	H203	P202-2A	LP225	KJ204	KF203-E	KJ206-E	KD201K	KJ236	KJ219	BK239	DCX27#11
505F1-04	E206	D201	D207	H201	P203-A	LP225	KJ204	KF203-E	KJ206-E	KD201K	KJ236	KJ219	KR209	DCX27#9
512M1-25	E208	D210	D207	H204	P201-A	LP228	KJ204	KF215-E	KJ203-E	KD201K	KJ208	KJ219	KR209	DCX27#11*2
512M1-34	E236	D210	D207	H204	P214-A	LP228	KJ204	KF215-E	KJ203-E	KD201K	KJ208	KJ219	KR209	DCX27#11*2
514F1-24	E212K	D210	D207	H204	P201-A	LP226	KJ234K	KF203-E	KJ203-E	KD201K	KJ208	KJ219	KR209	DCX27#11*2
514H4-24GA	E229	D202	D207	H202	P204-A	LP226	KJ234K	KF203-E	KJ203-E	KD201K	KJ208	KJ219	KR209	DCX27#11*2
514H4-24GA/P	E229	D202	D207	H202	P204P-A	LP226	KJ234K	KF203-E	KJ203-E	KD201K	KJ208	KJ219	KR209	DCX27#11*2
514M2-24	E229	D210	D207	H204	P201-A	LP226	KJ234K	KF203-E	KJ203-E	KD201K	KJ208	KJ219	KR209	DCX27#11*2
514M2-24TG	E229	D210	D207	H204	P254J-4A	LP226	KJ234K	KF203-E	KJ203-E	KD201K	KJ208	KJ219	KR209	DCX27#11*2
514M2-24LFC-3	E229	D210	D207	H204	P218-4	LP226	KJ234K	KF203-E	KJ203-E	KD201K	KJ208	KJ219	KR209	DCX27#11*2
514M2-25	E208	D210	D207	H204	P201-A	LP226	KJ234K	KF203-E	KJ203-E	KD201K	KJ208	KJ219	KR209	DCX27#11*2
514M2-25TG	E208	D210	D207	H204	P254J-4A	LP226	KJ234K	KF203-E	KJ203-E	KD201K	KJ208	KJ219	KR209	DCX27#11*2
514M2-25LFC-3	E208	D210	D207	H204	P218-4	LP226	KJ234K	KF203-E	KJ203-E	KD201K	KJ208	KJ219	KR209	DCX27#11*2
514M4-23	E249	D210	D209	H204	P201-2A	LP226	KJ234K	KF203-E	KJ203-E	KD201K	KJ208	KJ219	KR209	DCX27#11*2
514M5-23BK	E210	D203	D207	H203	P202-A	LP226	KJ234K	KF203-E	KJ203-E	KD201K	KJ208	KJ219	KR209	DCX27#11*2
514M5-23BK-1	E210	D203	D207	H203	P202-A	LP226	KJ234K	KF203-E	KJ203-E	KD201K	KJ208	KJ219	BK239	DCX27#11*2

SIRUBA

GAGE PARTS LIST

Series

988

Remark

Page

Date

2 / 2

2013/08/01

機 型 MODEL	針板 NEEDLE PLATE	送 具 FEED DOG	送 具 FEED DOG	押 具 PRESSER FOOT	勾 針 LOOPER	針 留 NEEDLE CLAMP	束 子 COLLER	衝 程 CRANK	衝 程 CRANK	大 心 Crankshaft	勾針連桿座 Upper Looper Holder	過線器 Bracket	下刀架 Lower Knife Holder	針 號 NEEDLE	
988-4T	514M5-24BK	E247	D203	H203	P202-A	LP226	KG242K-E	KJ234K	KF203-E	KJ203-E	KD201K	KJ208	KJ219	KR209	DCX27#11*2
	514M5-24BK-1	E247	D203	H203	P202-A	LP226	KG242K-E	KJ234K	KF203-E	KJ203-E	KD201K	KJ208	KJ219	KR209	DCX27#11*2
	514M7-24	E226	D212	H210	P201-A	LP230	KG242K-E	KJ204K	KF203-E	KJ203-E	KD201KA	KJ228	KJ238	KR209	DCX27#16*2
	514M7-24BK	E247	D203	H203	P202-A	LP230	KG242K-E	KJ204K	KF203-E	KJ203-E	KD201KA	KJ228	KJ238	KR209	DCX27#16*2
	514M7-24BK-1	E247	D203	H203	P202-A	LP230	KG242K-E	KJ204K	KF203-E	KJ203-E	KD201KA	KJ228	KJ238	KR209	DCX27#16*2
	514M7-24TG	E226	D212	H210	P254J-4A	LP230	KG242K-E	KJ204K	KF203-E	KJ203-E	KD201KA	KJ228	KJ238	KR209	DCX27#16*2
	514M7-25	E225	D212	H210	P201-A	LP230	KG242K-E	KJ204K	KF203-E	KJ203-E	KD201KA	KJ228	KJ238	KR209	DCX27#16*2
	514M7-25BK	E248	D203	H203	P202-A	LP230	KG242K-E	KJ204K	KF203-E	KJ203-E	KD201KA	KJ228	KJ238	KR209	DCX27#16*2
	514M7-25BK-1	E248	D203	H203	P202-A	LP230	KG242K-E	KJ204K	KF203-E	KJ203-E	KD201KA	KJ228	KJ238	KR209	DCX27#16*2
	514M7-25TG	E225	D212	H210	P254J-4A	LP230	KG242K-E	KJ204K	KF203-E	KJ203-E	KD201KA	KJ228	KJ238	KR209	DCX27#16*2
988-5T	401M1/TW	E237	D219	H219	P506-A	LP226	KG253K-E	KJ204	KF203-E	KJ206-E	KD201K	TW201			DCX27#14*1
	516H4-35GA	E213	D204	H205	P508J-A	LP226	KG253K-E	KJ204	KF203-E	KJ206-E	KD201K	KJ236	KJ219	KR219	DCX27#14*2
	516H4-35GA/P	E213	D204	H205	P508J-P-A	LP226	KG253K-E	KJ204	KF203-E	KJ206-E	KD201K	KJ236	KJ219	KR219	DCX27#14*2
	516H4-55GA	E214	D205	H206	P509J-A	LP226	KG255K-E	KJ204	KF203-E	KJ206-E	KD201K	KJ236	KJ219	KR219	DCX27#14*2
	516H4-55GA/P	E214	D205	H206	P509J-P-A	LP226	KG255K-E	KJ204	KF203-E	KJ206-E	KD201K	KJ236	KJ219	KR219	DCX27#14*2
	516L1-24	E215	D206	H207	P500J-A	LP225	KG252K-E	KJ204	KF203-E	KJ206-E	KD201K	KJ236	KJ219	KR219	DCX27#14*2
	516L1-35	E216	D206	H212	P504J-A	LP225	KG253K-E	KJ204	KF203-E	KJ206-E	KD201K	KJ236	KJ219	KR219	DCX27#14*2
	516M2-35	E217	D208	H208	P504J-A	LP226	KG253K-E	KJ204	KF203-E	KJ206-E	KD201K	KJ236	KJ219	KR219	DCX27#14*2
	516M2-35PS	E227	D208	H214	P504J-S-A	LP226	KG253K-E	KJ204	KF203-E	KJ206-E	KD201K	KJ236	KJ219	KR219	DCX27#14*2
	516M2-55	E218	D208	H209	P502J-A	LP226	KG255K-E	KJ204	KF203-E	KJ206-E	KD201K	KJ236	KJ219	KR219	DCX27#14*2
988-6T	516M2-55PS	E228	D208	H215	P502J-S-A	LP226	KG255K-E	KJ204	KF203-E	KJ206-E	KD201K	KJ236	KJ219	KR219	DCX27#14*2
	516X2-56	E234	D216A	H220A	P962-A	LP230	KG255K-E	KJ204	KF203-E	KJ206-E	KD201KA	KJ236	KJ238	KR223	DCX27#18*2
	401M2-50TA	E238	D211	H216	P223-A	LP230	KG256K-E	KJ204	KF203-E	KJ206-E	KD201K	TW201			DCX27#14*2
	516M2-324	E219	D208	H209	P233J-A	LP226	KG433K-E	KJ234K	KF203-E	KJ203-E	KD201K	KJ208	KJ219	KR219	DCX27#11*3
	516M2-524	E224	D208	H209	P255J-A	LP226	KG455K-E	KJ234K	KF203-E	KJ203-E	KD201K	KJ208	KJ219	KR219	DCX27#11*3

SIRUBA

PARTS LIST

Series

700K/700KD
988/988D

Parts Group

KA

Subclass / Remark

*: Use for
700KD/988D

Page

1/1

Date

2014/06/09

MODEL	700K/KD	988/988D
PARTS NO	KC230	KC231

- KA304-A — PP7140
- KA305
- KA304

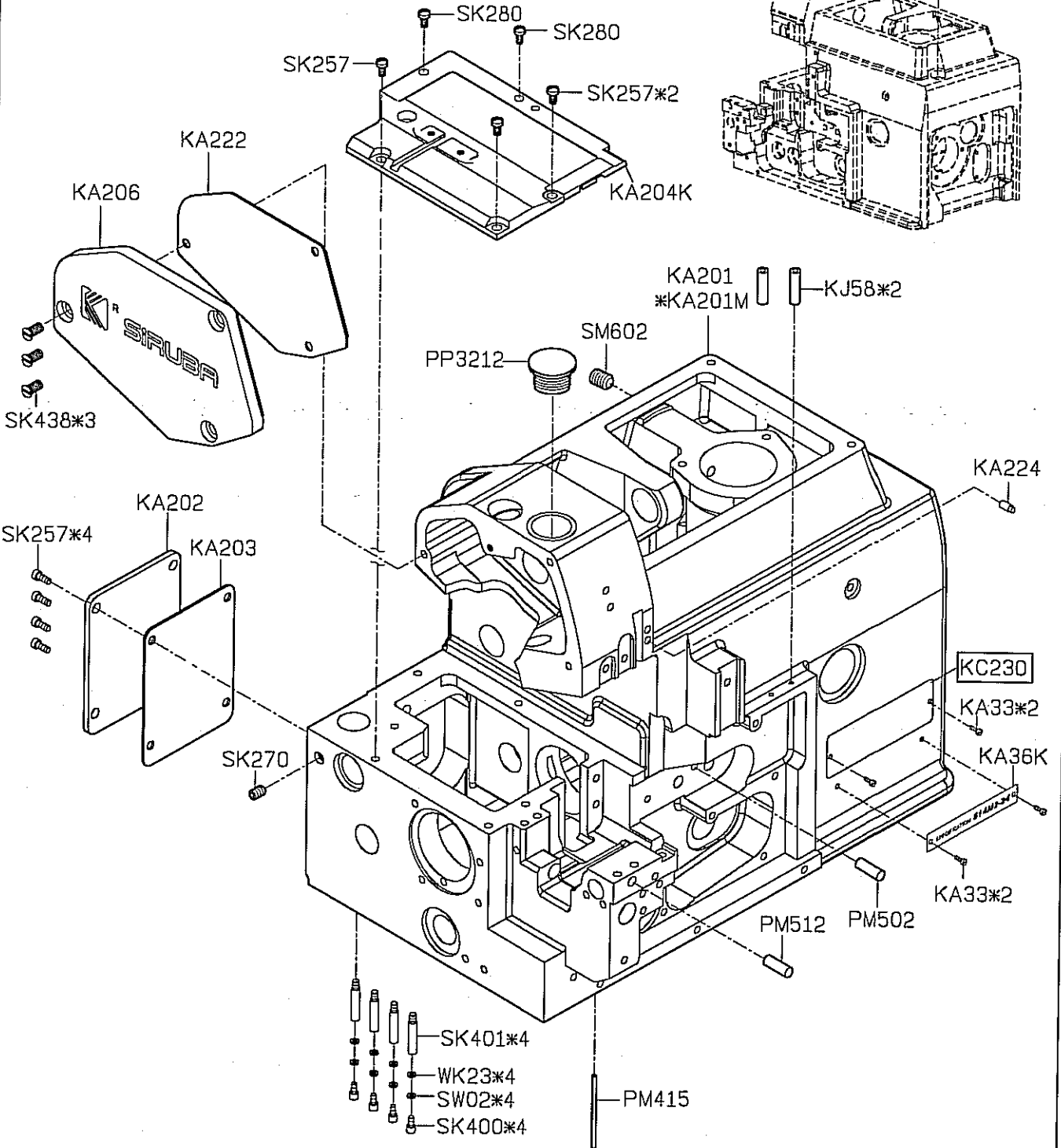
A

B

C

D

E



1

2

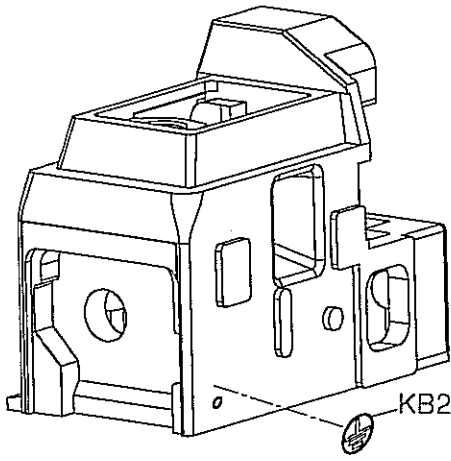
3

4

5

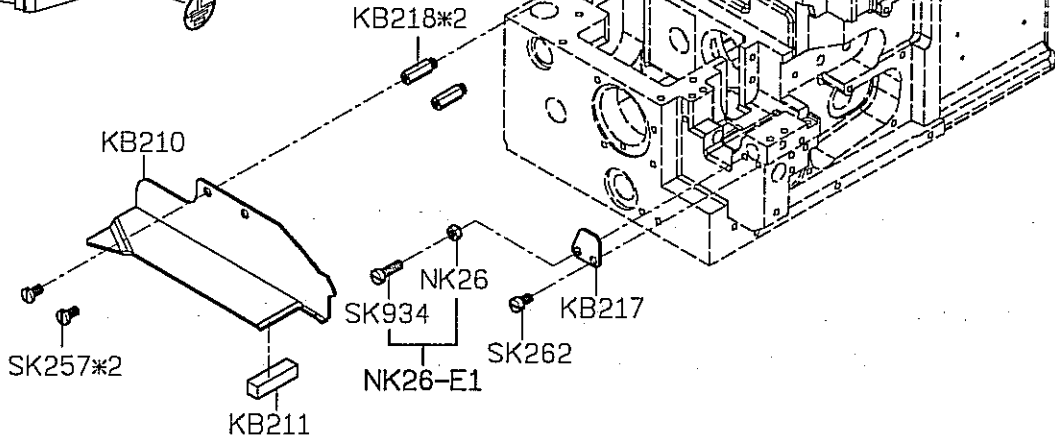
SIRUBA PARTS LIST	Series	Parts Group	Subclass / Remark	Page
	700K/700KD	KB		1/1
	988/988D			Date
				2014/08/23

A



KB208

B



KB218*2

KB210

NK26

SK934

KB217

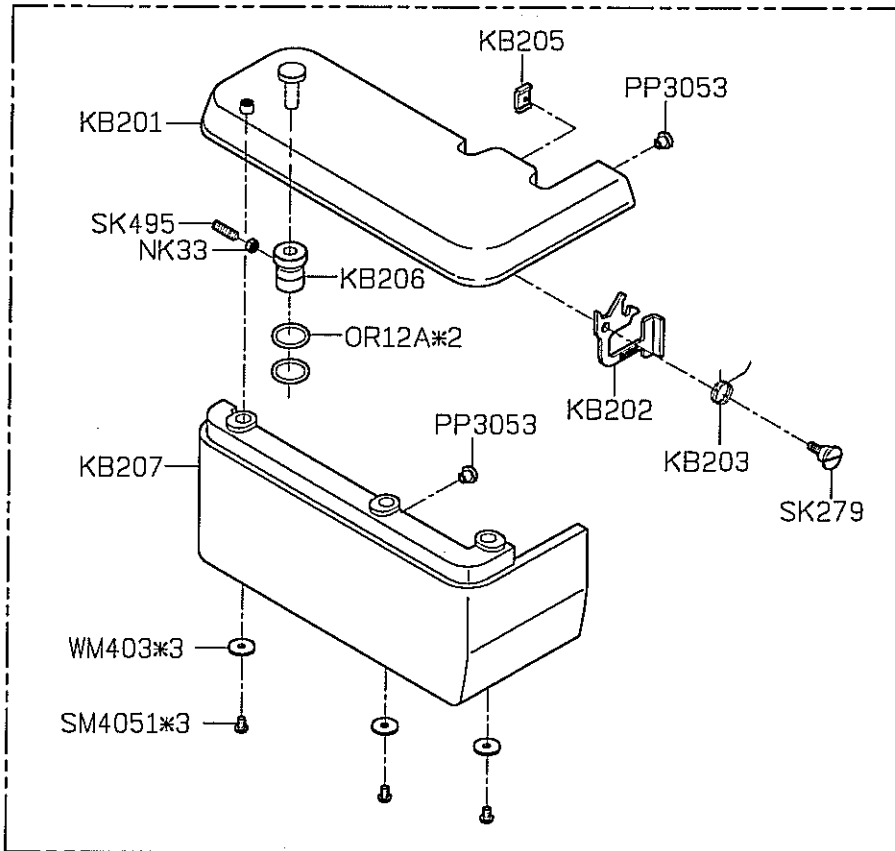
SK257*2

NK26-E1

SK262

KB211

C



KB201

KB205

PP3053

SK495
NK33

KB206

OR12A*2

KB201-A

D

KB207

PP3053

KB202

KB203

SK279

E

WM403*3

SM4051*3

1

2

3

4

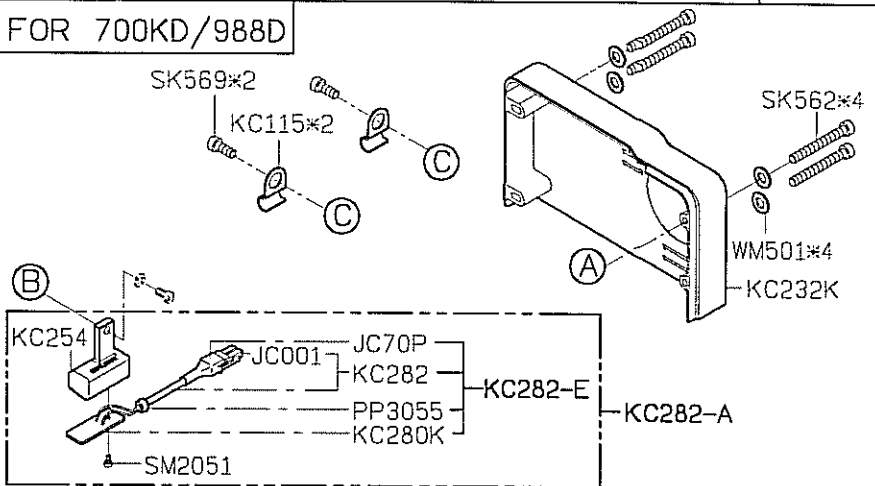
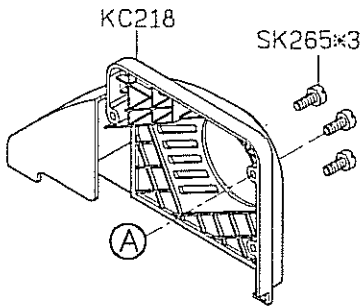
5

SIRUBA PARTS LIST	Series	Parts Group	Subclass / Remark	Page
	700K/700KD 988/988D	KC	*: Use for 988	1/1
				Date
				2013/06/09

FOR 700K/988

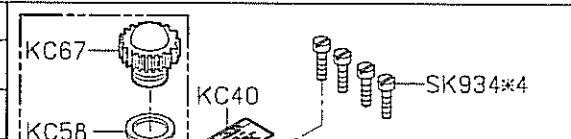
FOR 700KD/988D

A



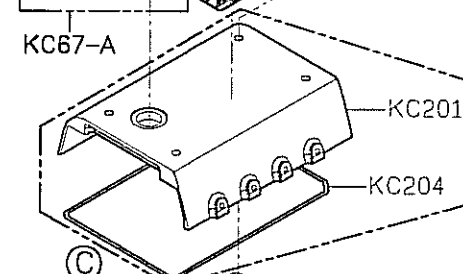
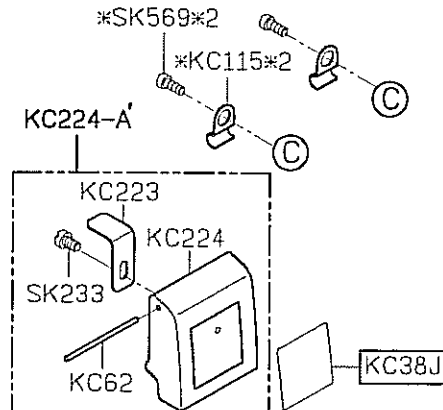
B

MODEL	700K	700KD	988	988D
PARTS NO	KC38J	KC38J	KC38C	KC38DC
	SK262	SK265	SK265	SK265



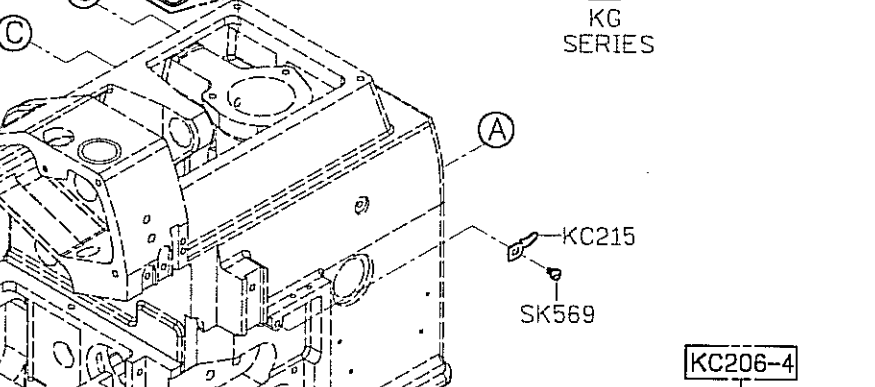
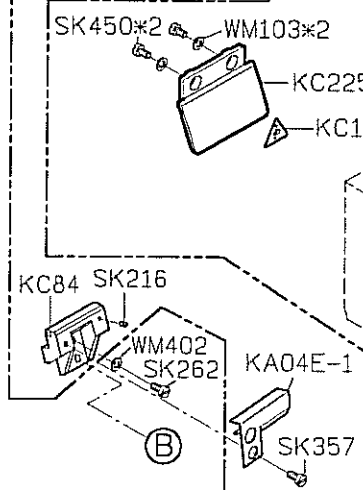
MODEL	#3/#4	#5/#6
PARTS NO	KC209	KC219
	KC206-4	KC206-5

C

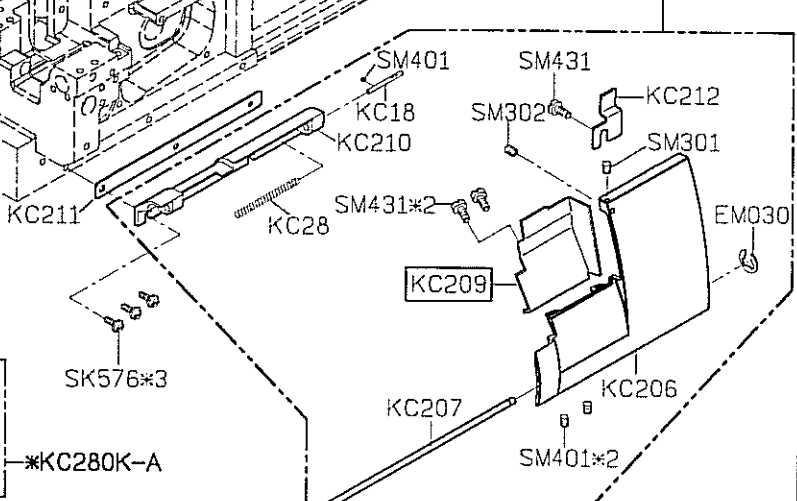
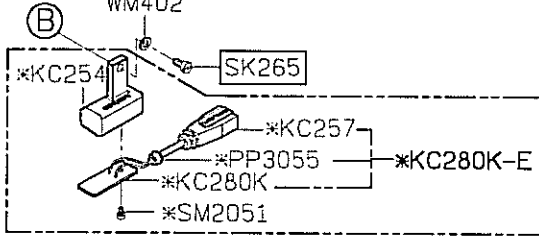


- +E = KC201-3
 - +F = KC201-4
 - +G = KC201-5
 - +H = KC201-6
 - +I = KC201-A
 - +J = KC201-A1
- KG SERIES

D



E



SIRUBA

PARTS LIST

Series

700K/700KD
988/988D

Parts Group

KD

Subclass / Remark

 FOR H MOTOR
 FOR Y MOTOR

Page

1/1

Date

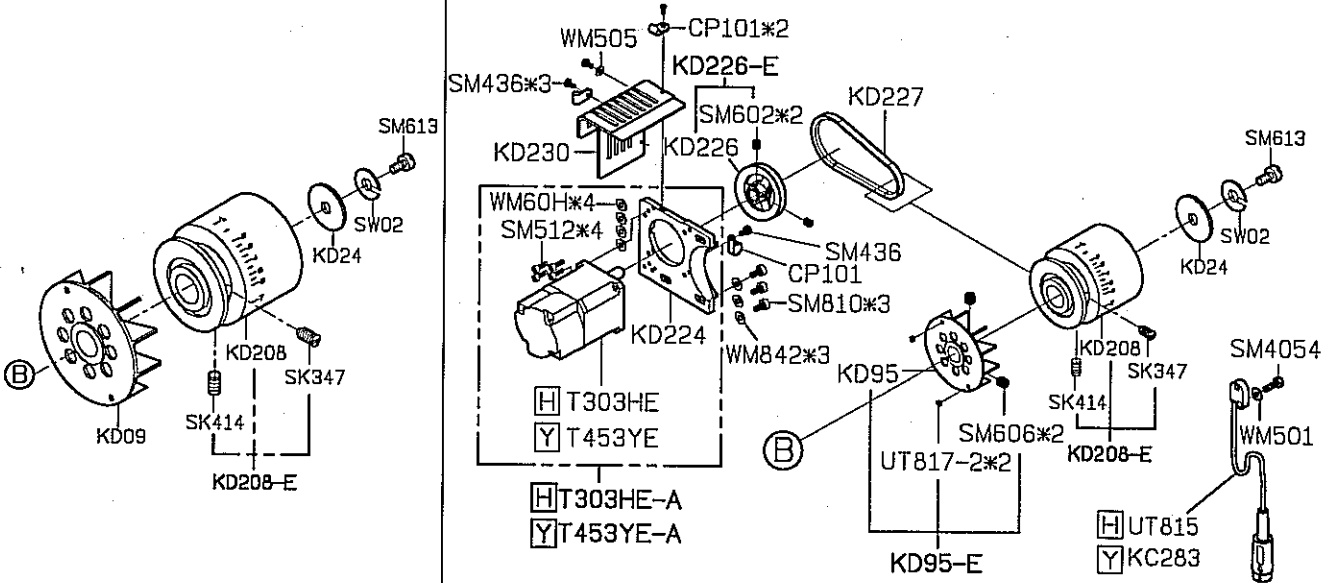
2013/08/01

FOR 700K/988

FOR 700KD/988D

A

B

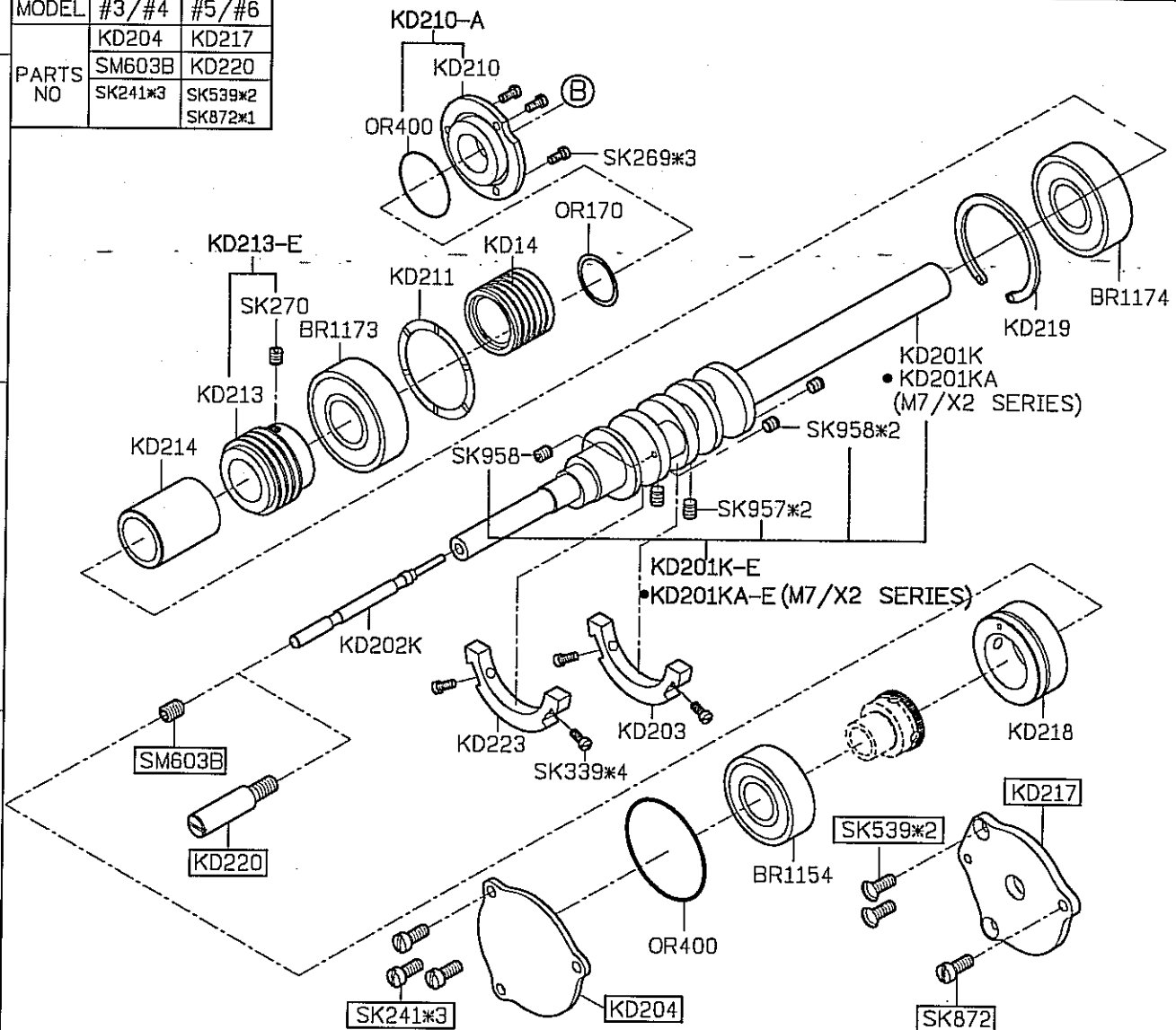


MODEL	#3/#4	#5/#6
	KD204	KD217
PARTS NO	SM603B	KD220
	SK241*3	SK539*2
		SK872*1

C

D

E



1

2

3

4

5

SIRUBA

PARTS LIST

Series

700K/700KD
988/988D

Parts Group

KF

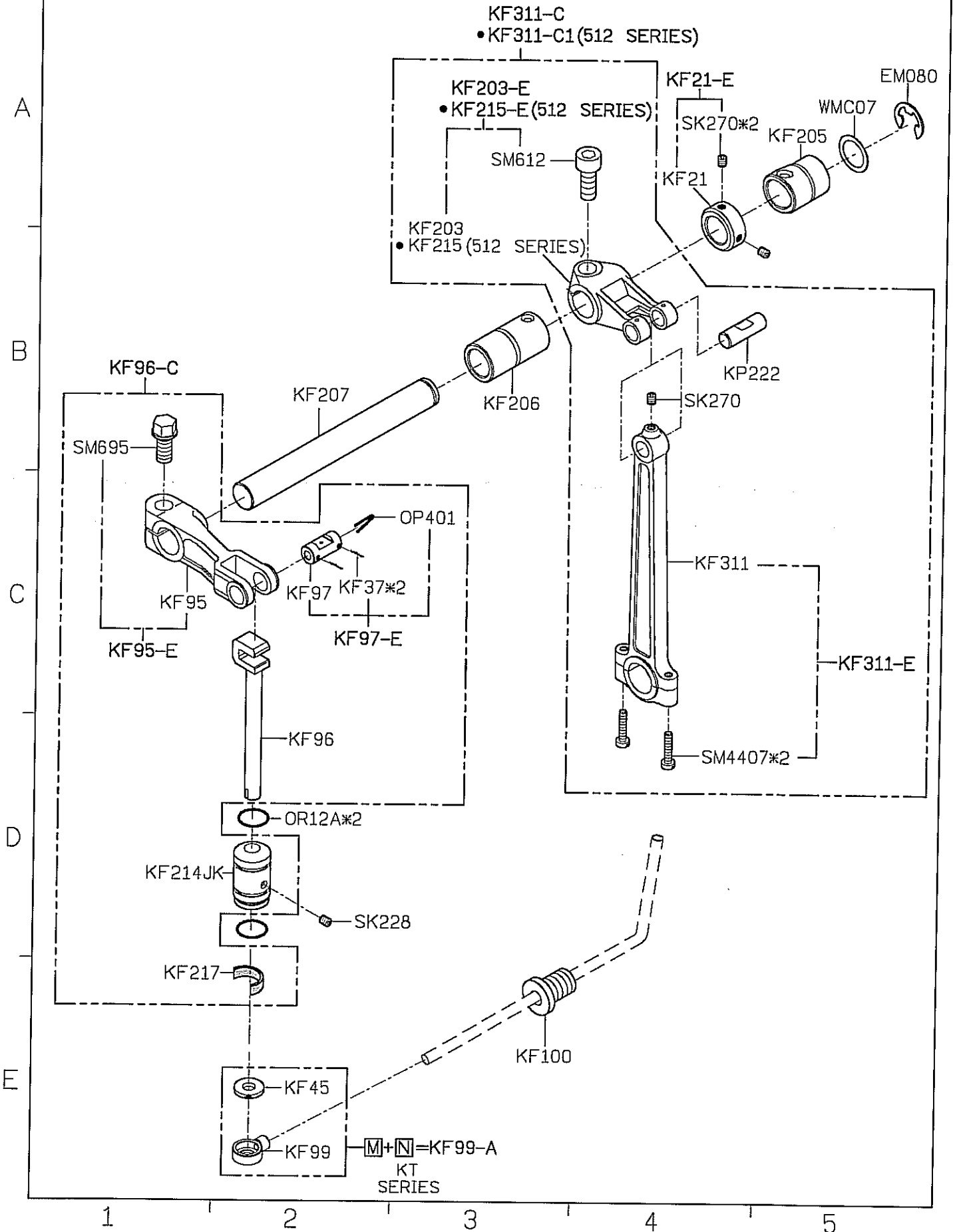
Subclass / Remark

Page

1/1

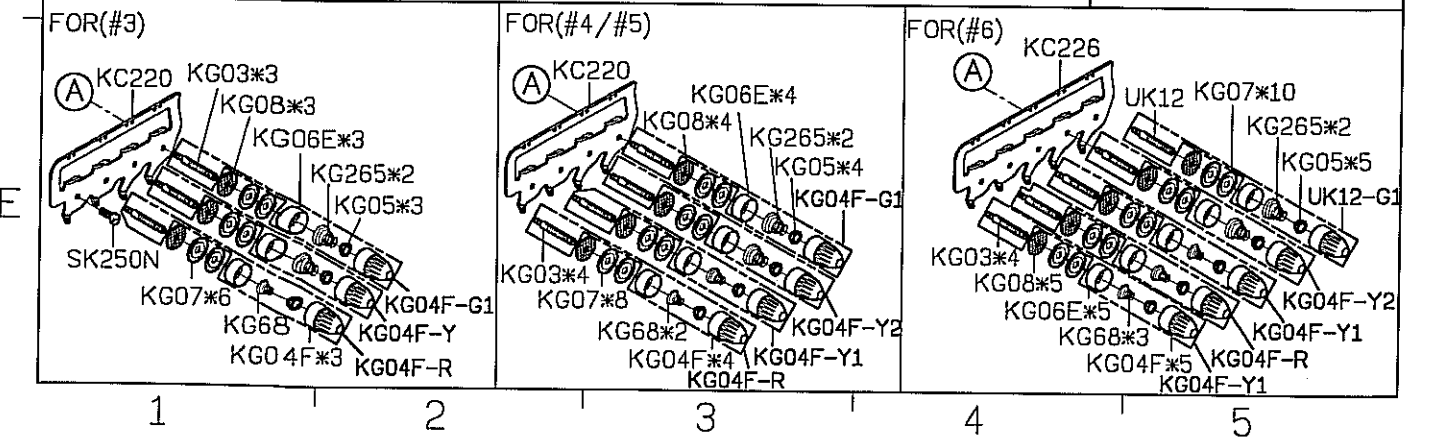
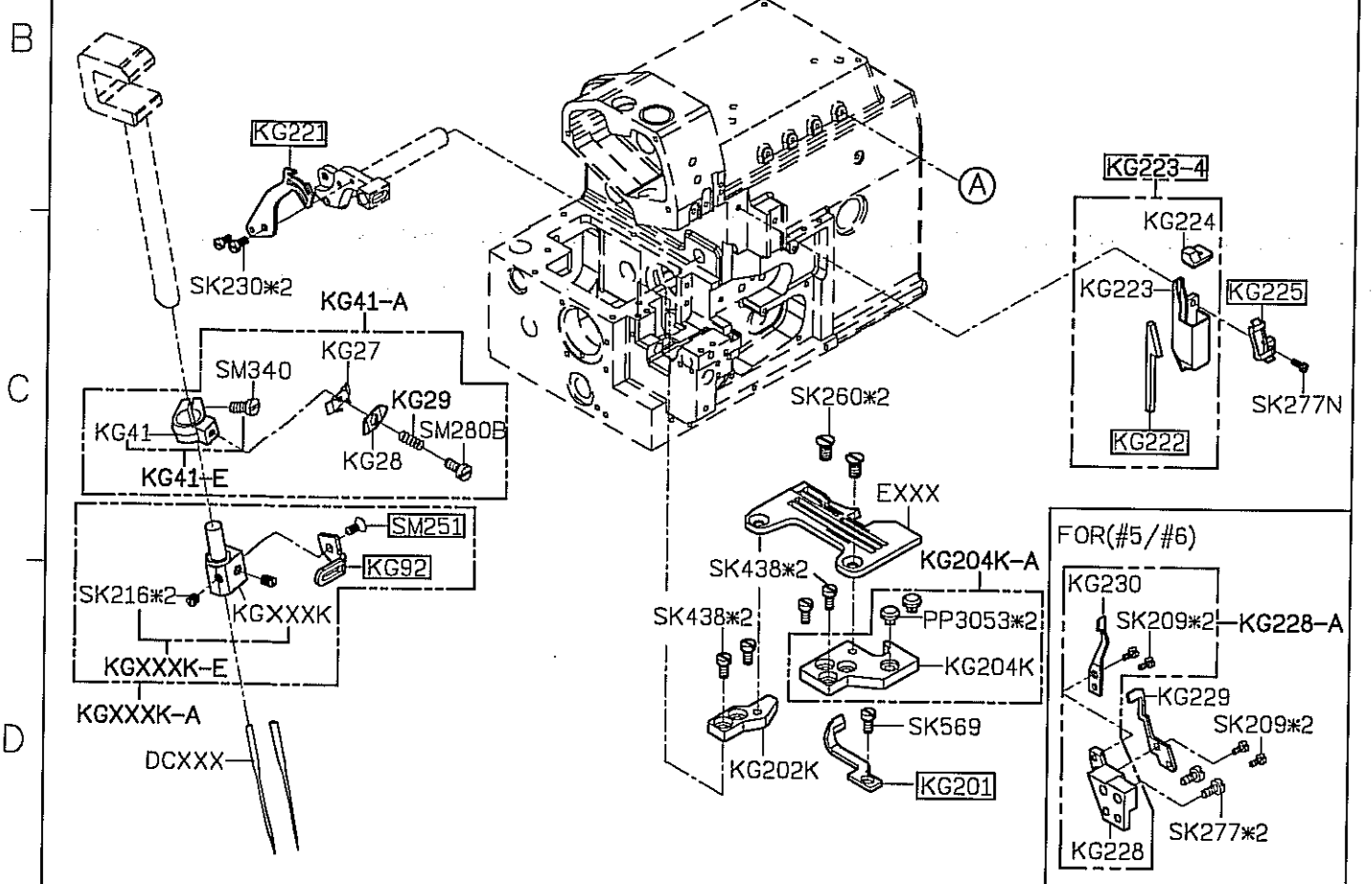
Date

2014/09/26



SIRUBA PARTS LIST	Series		Parts Group	Subclass / Remark	Page
	700K/700KD 988/988D		KG		1/1
					Date
					2014/09/05

MODEL	#3	#4	#5	#6	FOR(#3/#4)	FOR(#5/#6)
	KG262	KG211K	KG262	KG211K		
	KG248	KG213K	KG239	KG246		
	KG250	KG221	KG243	KG251		
	KG222	KG222	KG245	KG245		
	KG225	KG225	KG261	KG261		
	KG201	KG201	KG244	KG244		
	KG93	KG92	KG94	KG94		
	SK216	SK216	SK216*2	SK216*2		
	SK250N	SK250N	SK250N*2	SK250N*2		
	SK437N	SK437N	SK569	SK569		
	SK674N	SK674N	SK674N	SK674N		
	SM251	SM251	SM250	SM250		
	KG212-3	KG212-4	KG241-5	KG241-6		
	KG223-4	KG223-4	KG223-5	KG223-5		



SIRUBA

PARTS LIST

Series

700K/700KD
988/988D

Parts Group

KJ

Subclass / Remark

Page

1/1

Date

2014/05/22

MODEL	#3/#5	#4/#6	#4 M7/M2-28	#5 X2
	KJ247-E	KJ246-E	KJ248-E	KJ246-E+KJ234
	KJ206	KJ203	KJ203	KJ206
PARTS NO	KJ206-E	KJ203-E	KJ203-E	KJ206-E
	KJ206-C	KJ203-C	KJ203-C	KJ206-C
	KJ236	KJ208	KJ228	KJ236
	KJ236-C1	KJ208-C1	KJ228-C1	KJ236-C1
	KJ219		KJ238	KJ238

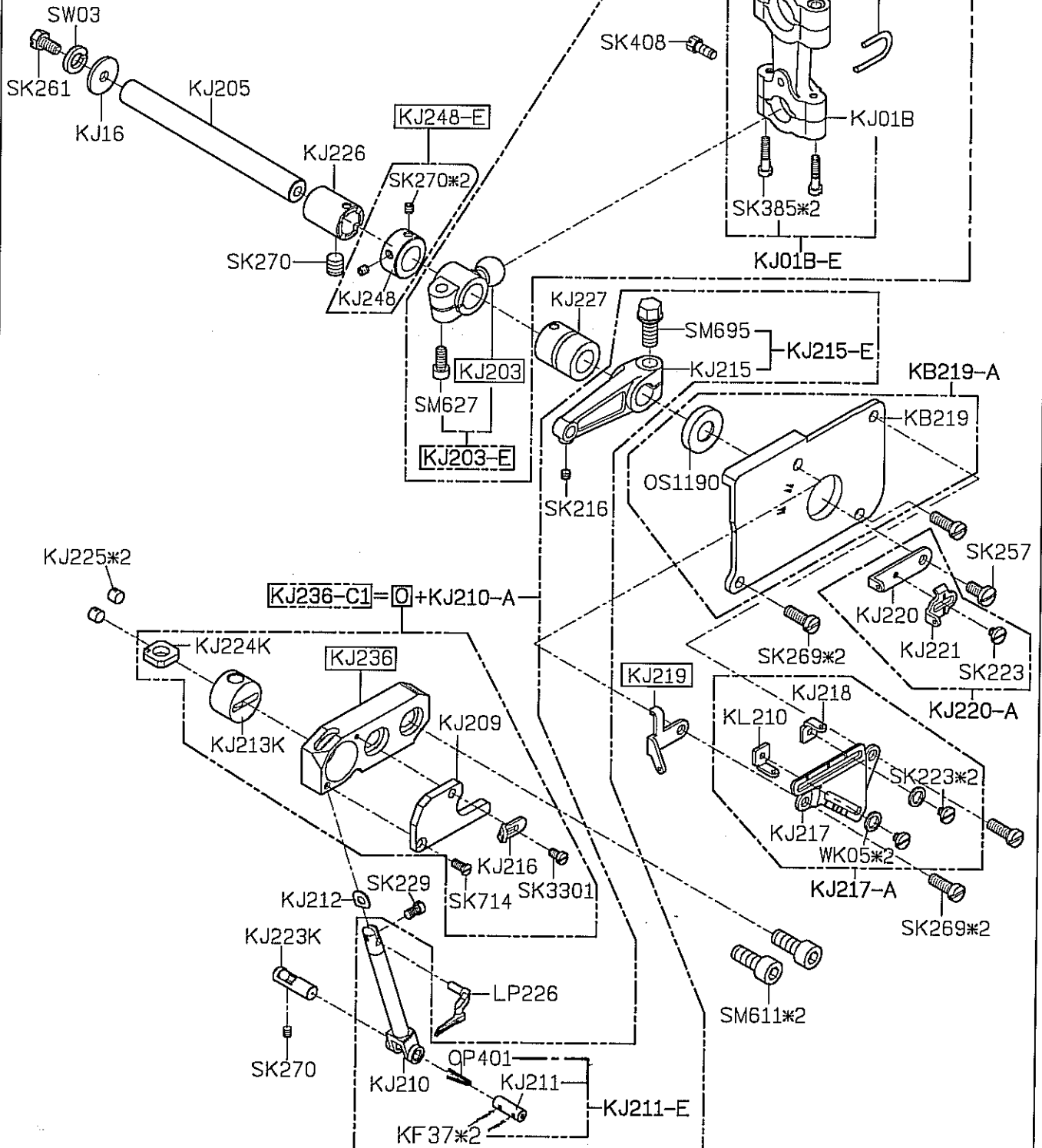
A

B

C

D

E



1

2

3

4

5

SIRUBA

PARTS LIST

Series
700K/700KD
988/988D

Parts Group
KL

Subclass / Remark

Page

1/1

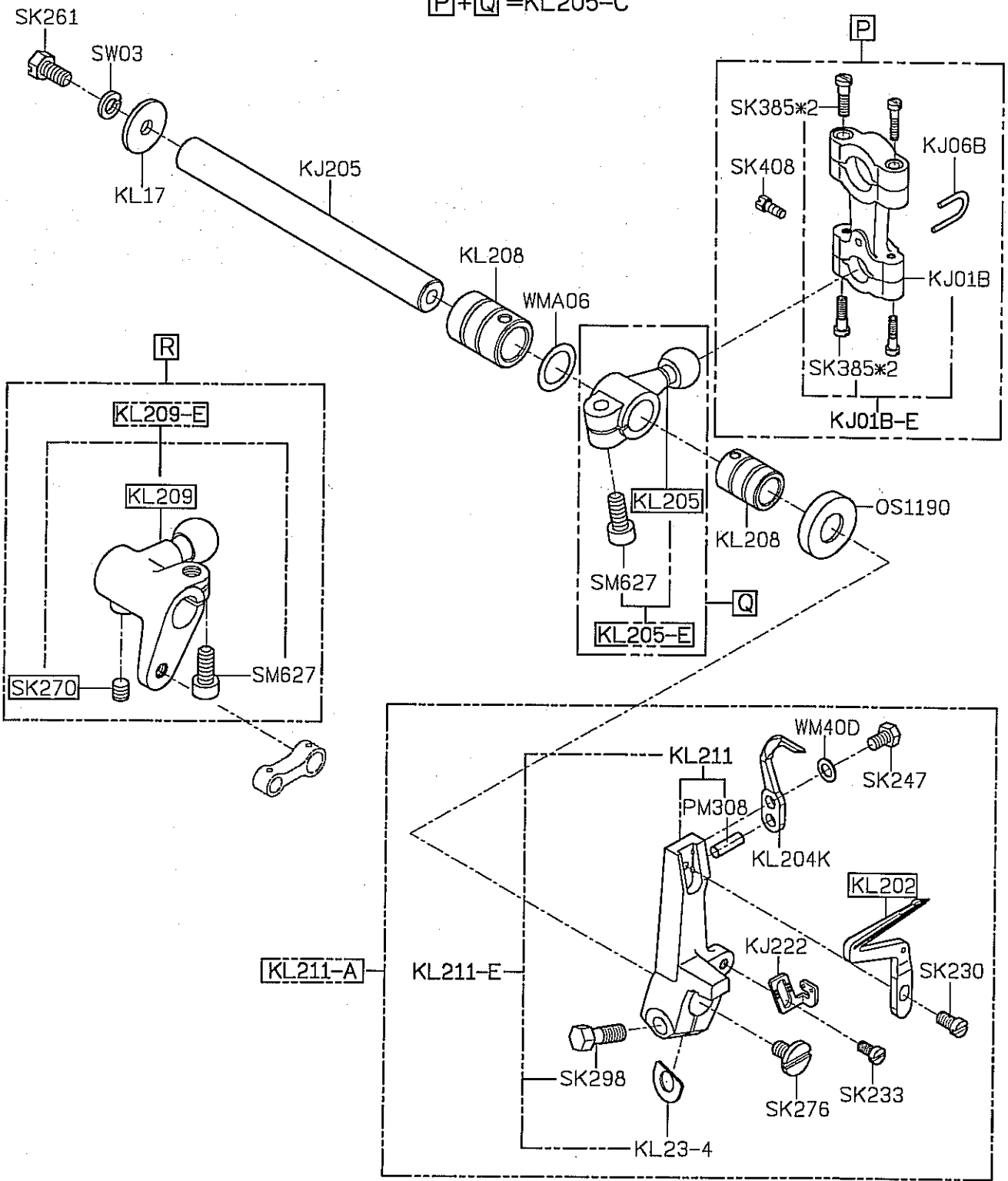
Date

2014/04/21

MODEL	#3/#4	#5/#6	M7/X2 SERIES
PARTS NO	KL202		KL202A
	KL211-A		KL211-A1
	KL205	KL209	
	SK270		
	KL205-E	KL209-E	
	KL205-C	KL209-C	

KL KL KM
SERIES SERIES SERIES
P+**R**+**S**=KL209-C
KL KL
SERIES SERIES
P+**Q**=KL205-C

A
B
C
D
E



1 2 3 4 5

SIRUBA

PARTS LIST

Series

700K/700KD
988/988D

Parts Group

KM

Subclass / Remark

Page

1/1

Date

2014/04/21

A

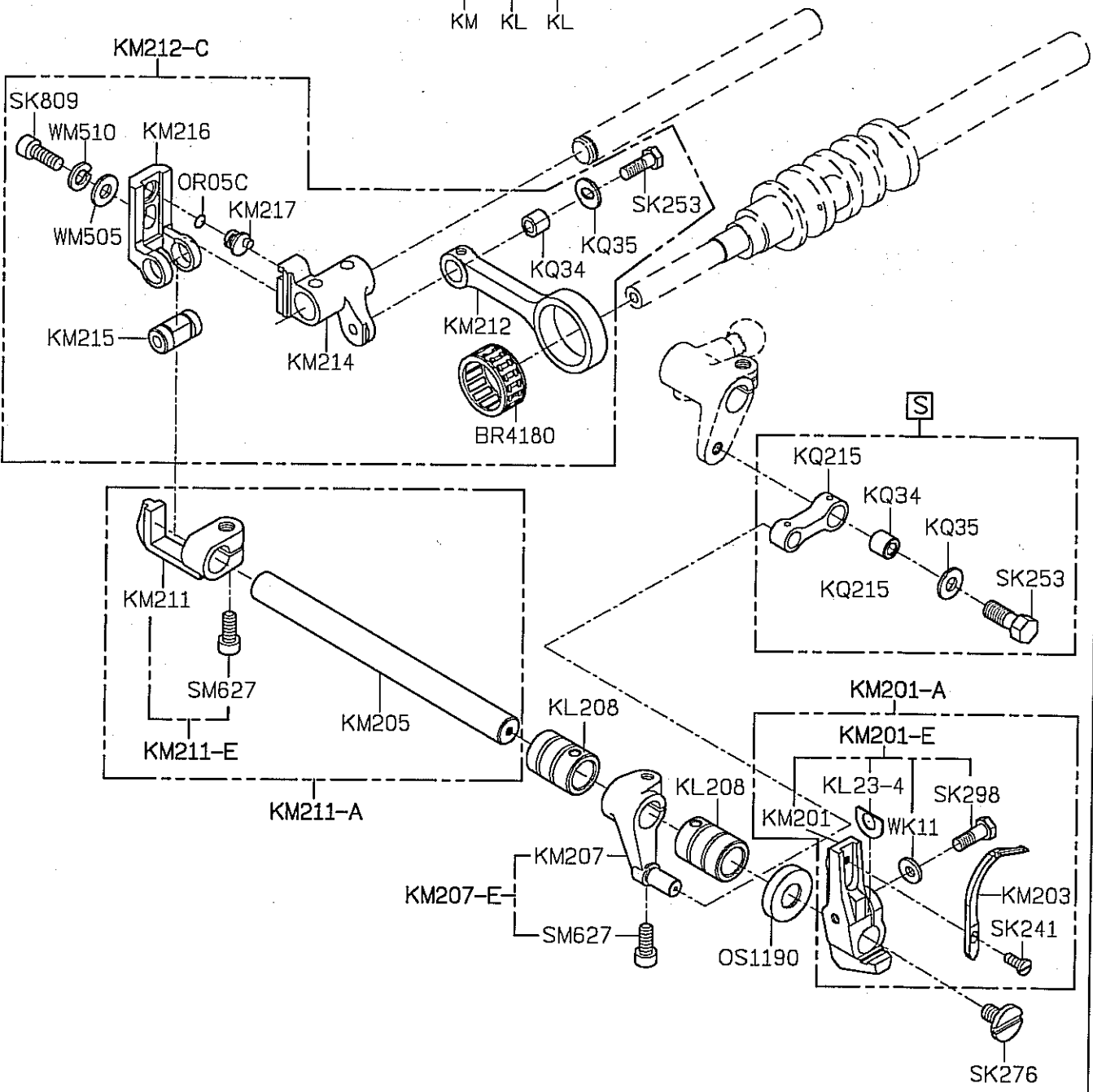
$\boxed{S} + \boxed{R} + \boxed{P} = \text{KL209-C}$
KM KL KL

B

C

D

E



SIRUBA

PARTS LIST

Series

700K/700KD
988/988D

Parts Group

KP

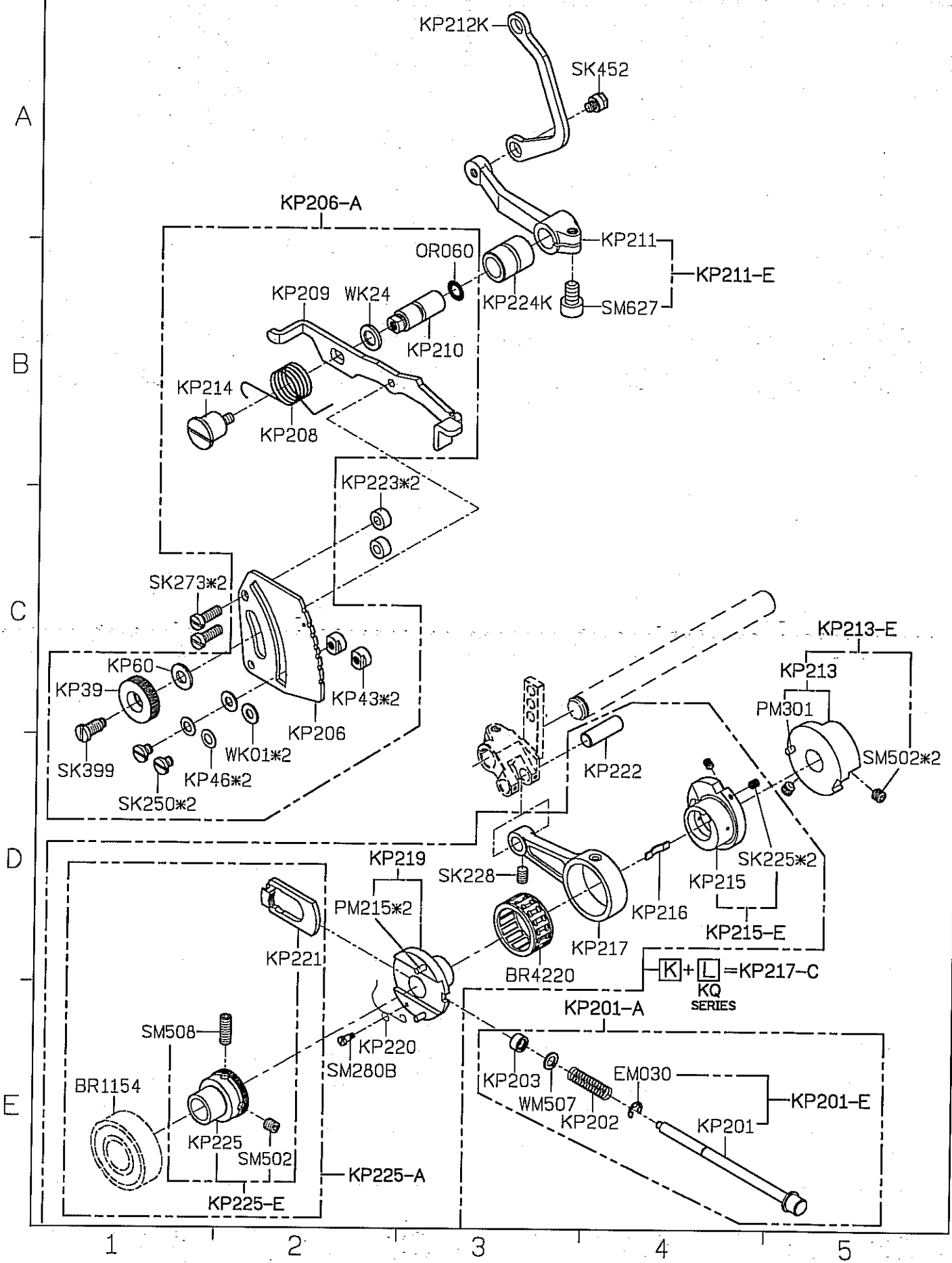
Subclass / Remark

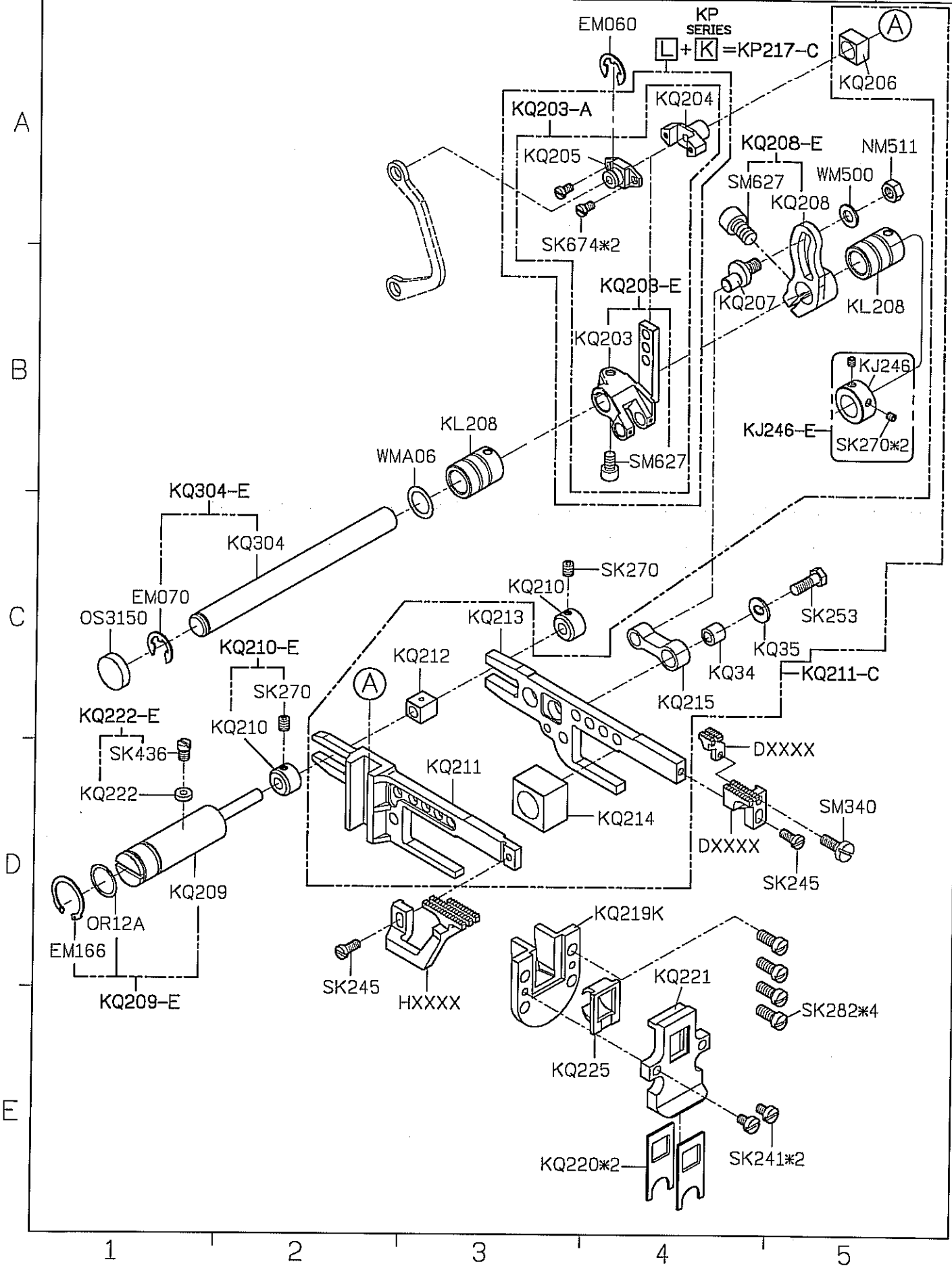
Page

1/1

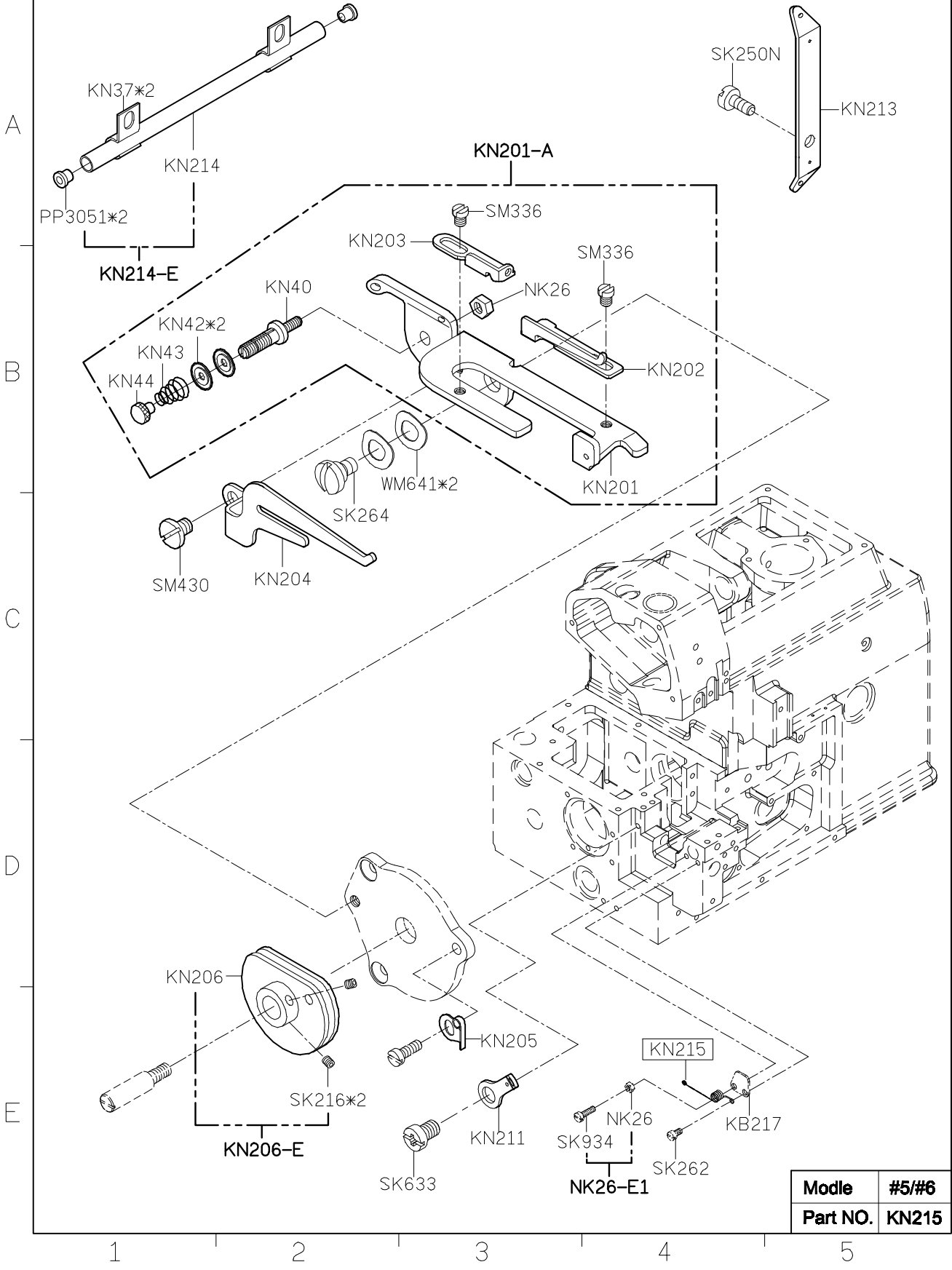
Date

2014/01/15





SIRUBA PARTS LIST	Series	Parts Group	Subclass / Remark	Page
	700K/700KD	KN		1/1
	988/988D			Date
				2012/08/18



Modle	#5/#6
Part NO.	KN215

SIRUBA

PARTS LIST

Series

700K/700KD
988/988D

Parts Group

KR

Subclass / Remark

Page

1/1

Date

2013/08/01

MODEL	#3/#4	#5/#6	#5 X2
	KR202	KR218	KR218
	KR202-E	KR218-E	KR218-E
	KR311-C	KR311-C1	KR311-C1
	KR206	KR221	KR221
	KR206-A	KR221-A	KR221-A1
	KR209	KR219	KR223
	KR209-A	KR219-A	KR223-A

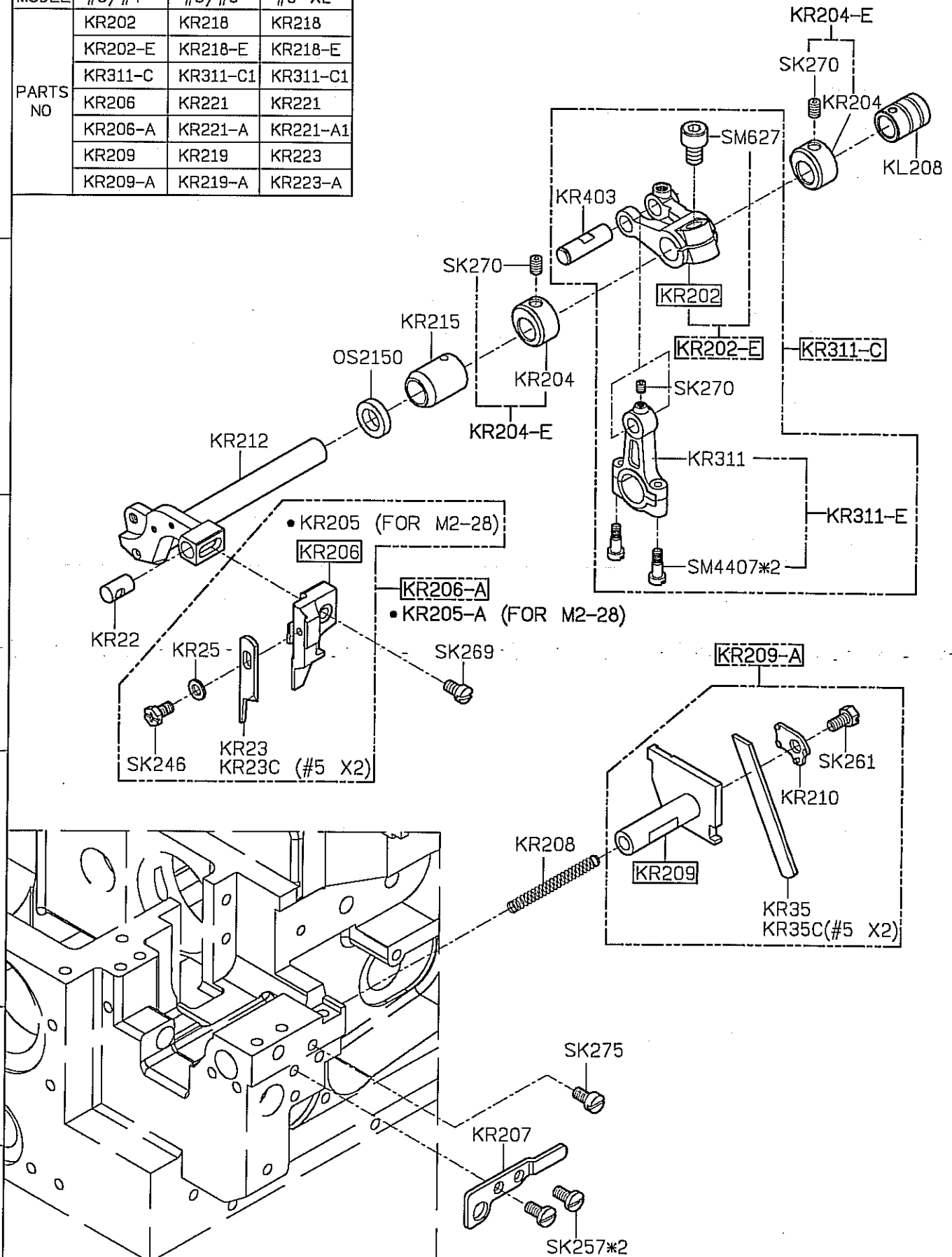
A

B

C

D

E



1

2

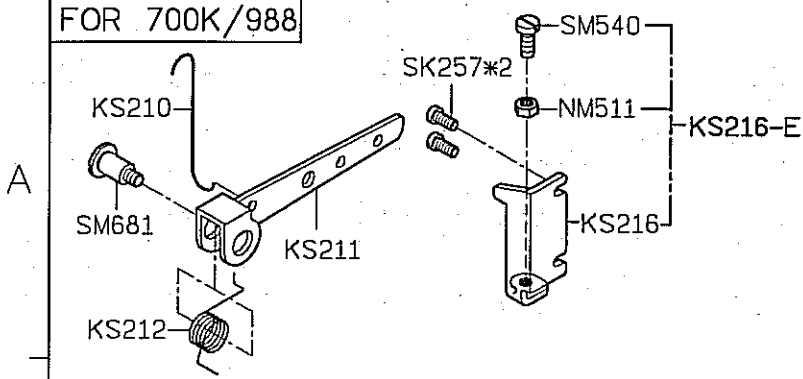
3

4

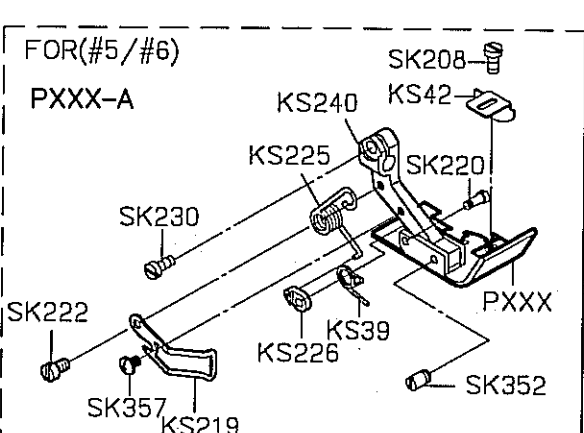
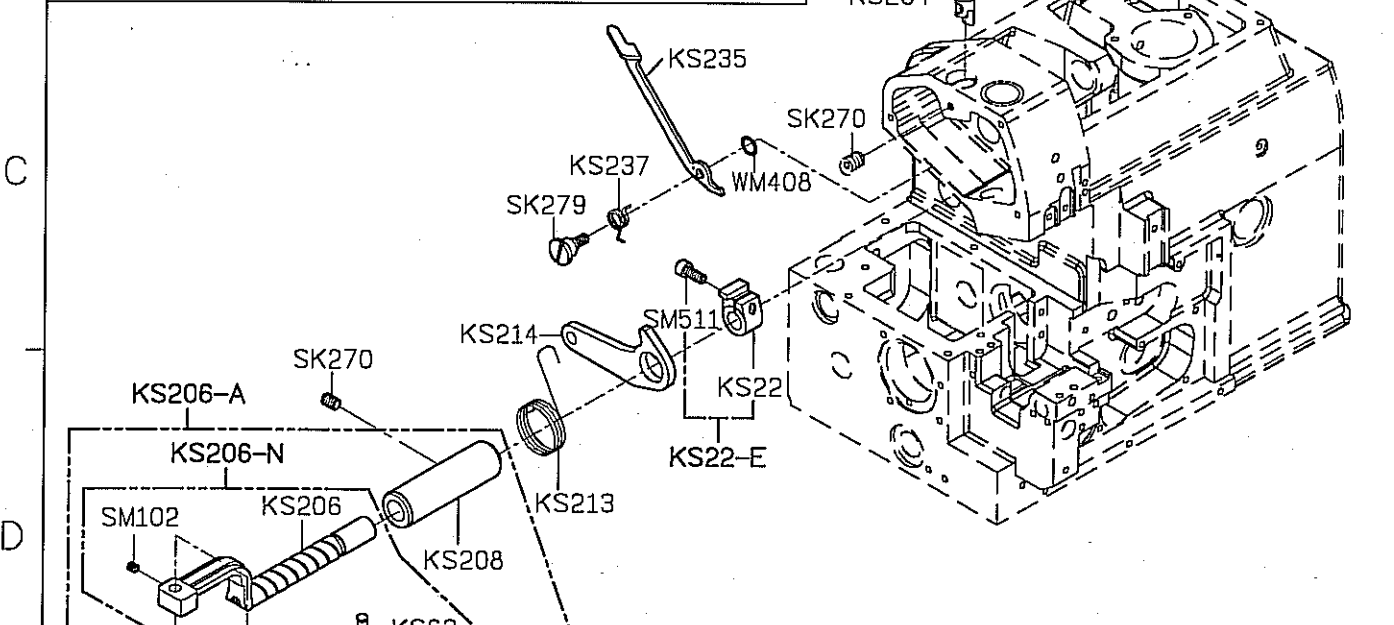
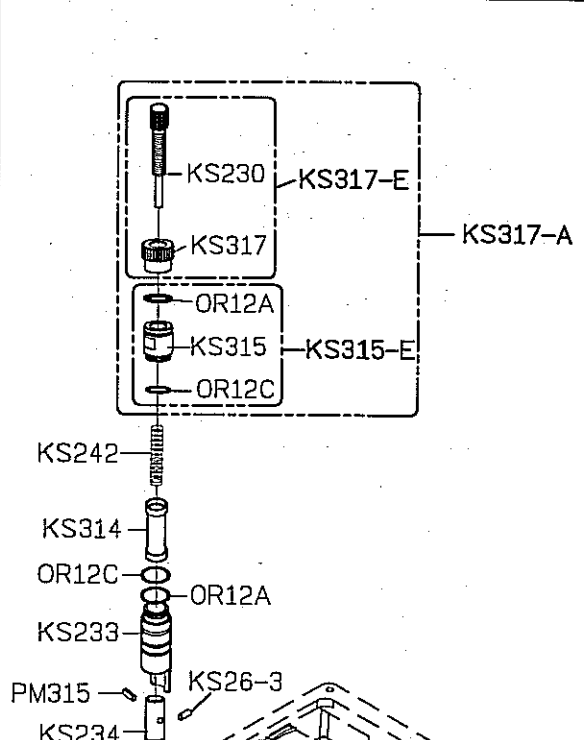
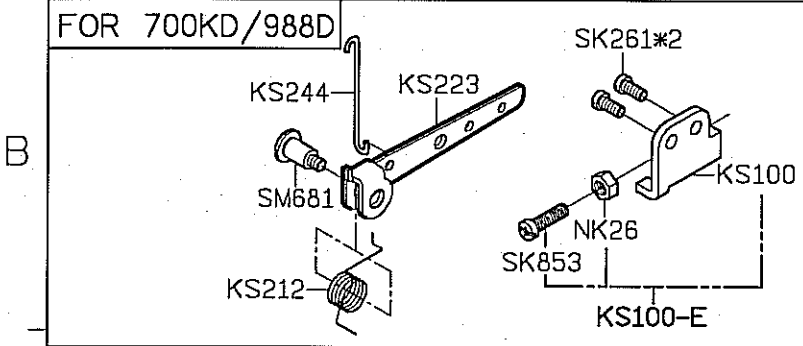
5

SIRUBA PARTS LIST	Series	Parts Group	Subclass / Remark	Page
	700K/700KD 988/988D	KS		1/1
			Date	
			2014/02/27	

FOR 700K/988



FOR 700KD/988D



1

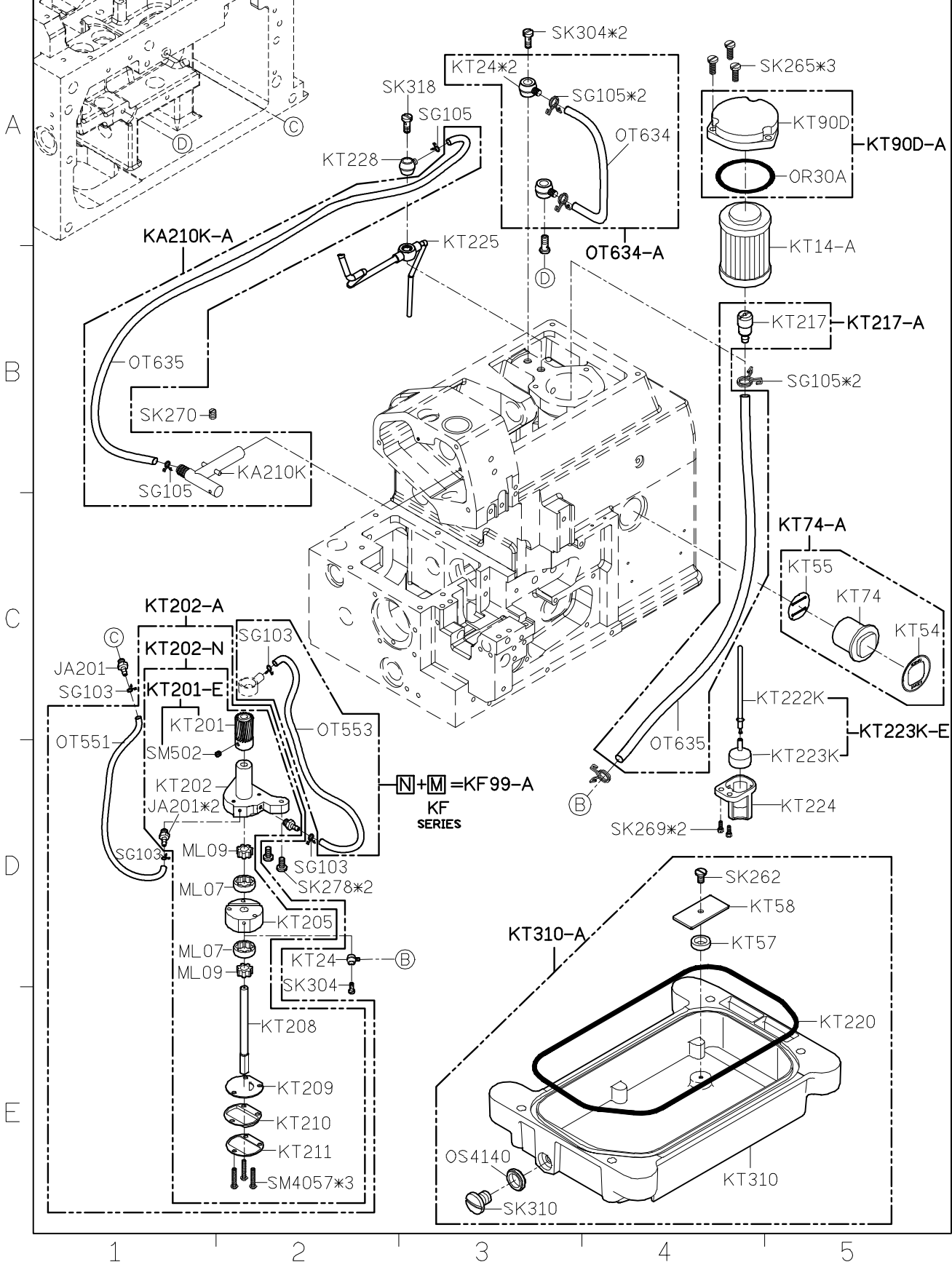
2

3

4

5

SIRUBA PARTS LIST	Series	Parts Group	Subclass / Remark	Page
	700K/700KD	KT		1/1
	988/988D		Date	
			2012/09/18	



SIRUBA PARTS LIST	Series		Parts Group	Subclass / Remark	Page
	700K/700KD		KU		1/1
	988/988D				Date
					2012/08/18

MODEL	#3/#4	#5/#6
PARTS NO	KU40	KU39
	KU220-4	KU220-5
	KU207	KU209
	KU206	KU211
	KU201-4	KU201-5
	SK277	SK437

KU60-A
(FOR 505F1-04)

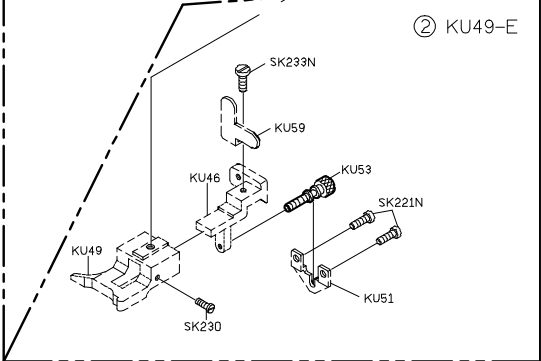
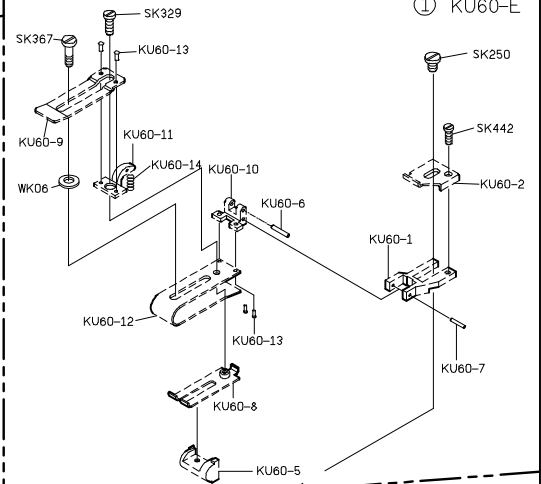
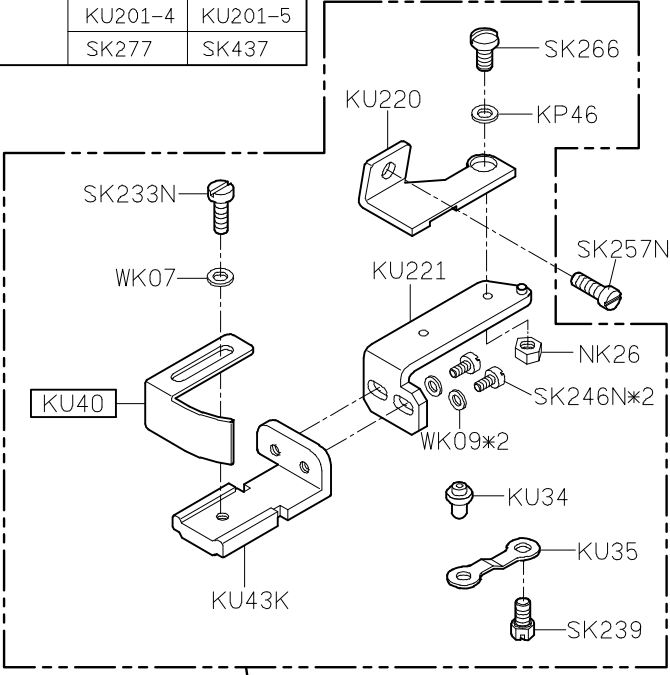
A

B

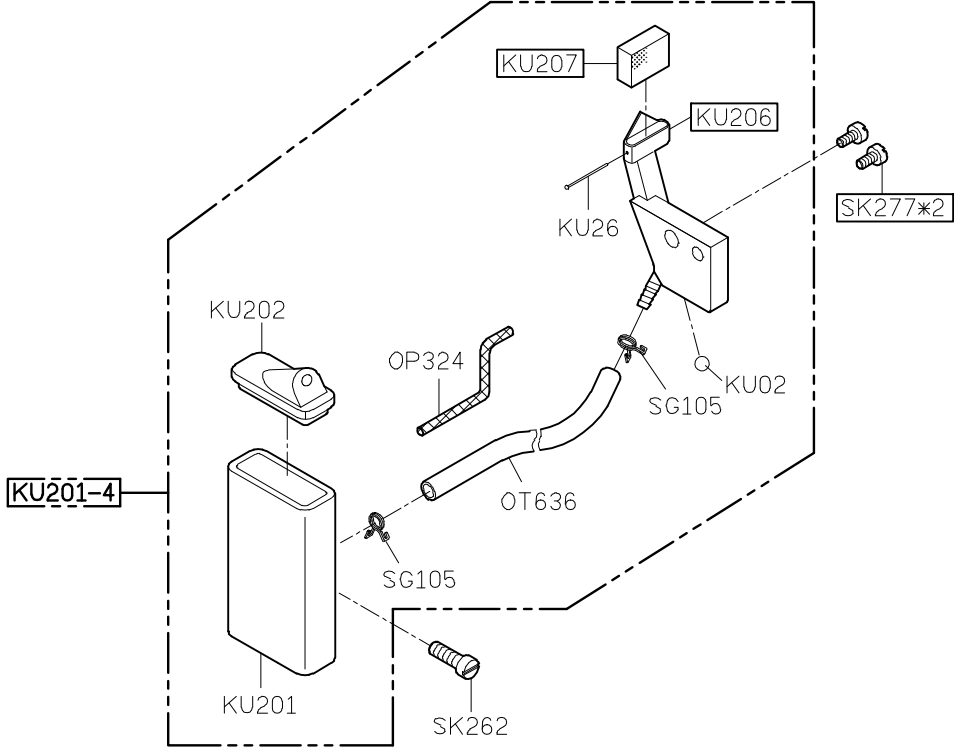
C

D

E



KU220-4 = KU-27D4



SIRUBA PARTS LIST	Series	Parts Group	Subclass / Remark	Page
	700K/700KD 988/988D	KW		1/4
				Date
				2012/08/18

KW40E-3

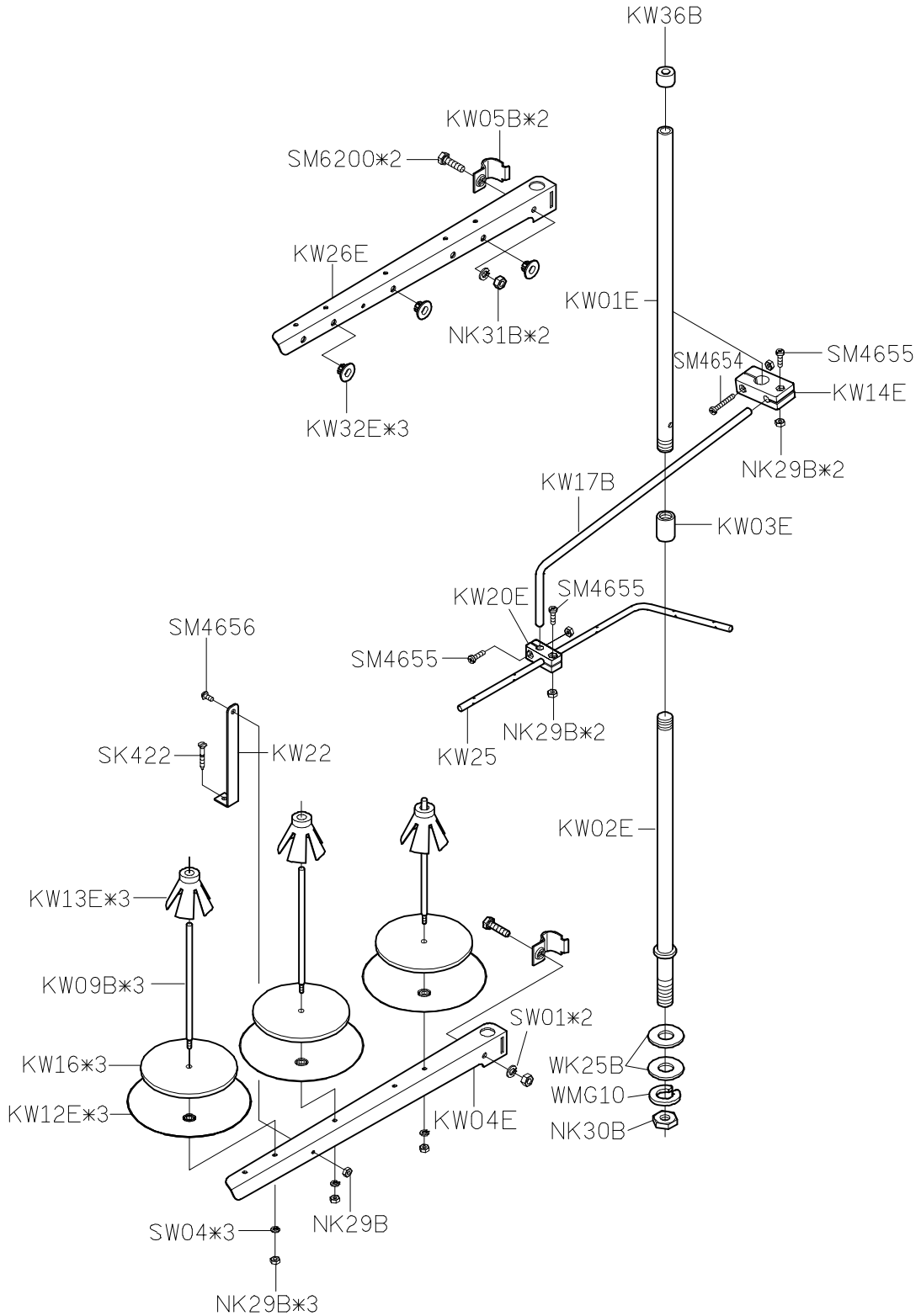
A

B

C

D

E



1

2

3

4

5

SIRUBA PARTS LIST	Series	Parts Group	Subclass / Remark	Page
	700K/700KD 988/988D	KW		2/4
				Date
				2012/08/18

KW40E-4

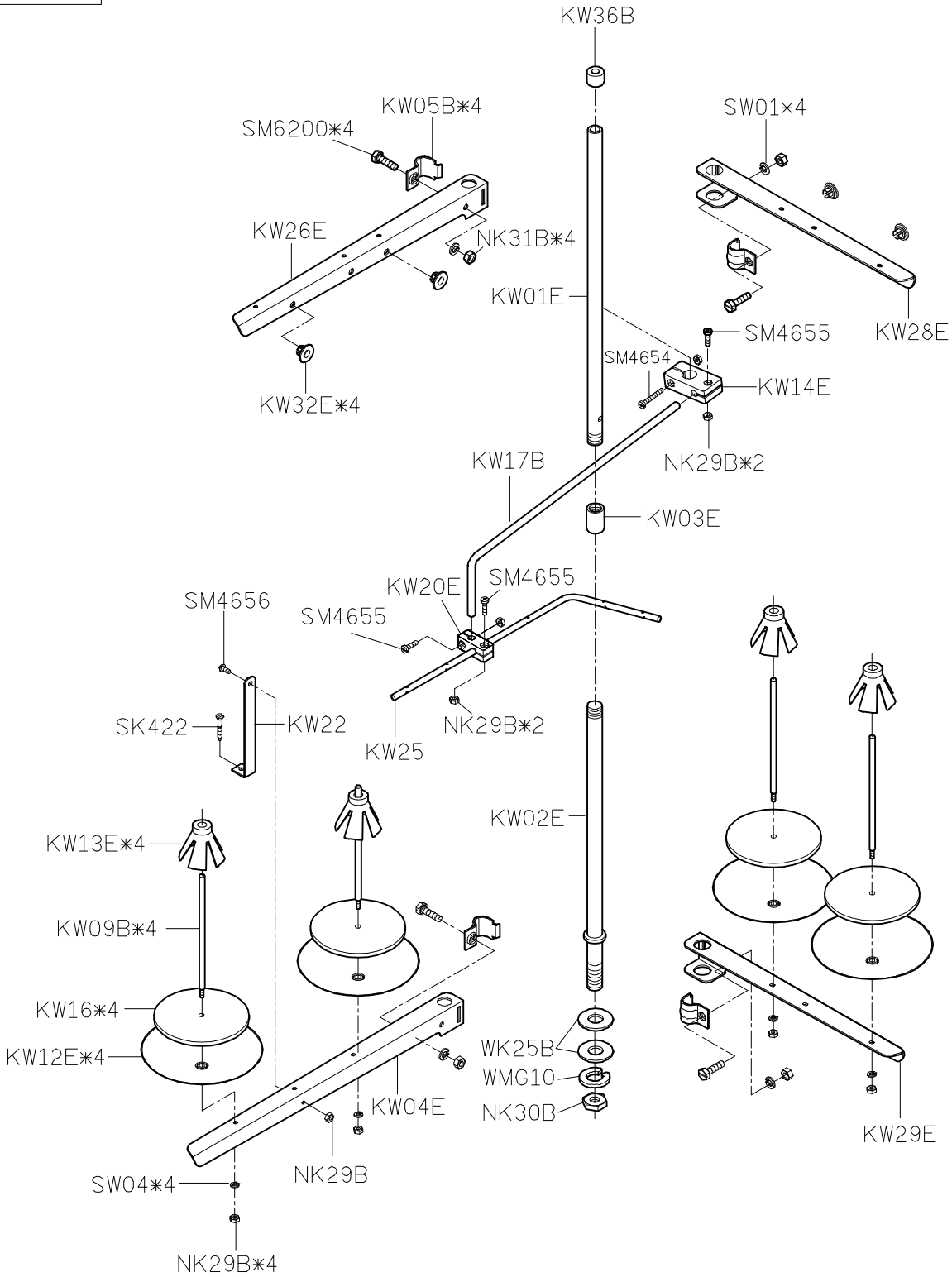
A

B

C

D

E



1

2

3

4

5

SIRUBA PARTS LIST	Series	Parts Group	Subclass / Remark	Page
	700K/700KD	KW		3/4
	988/988D			Date
				2012/08/18

KW40E-5

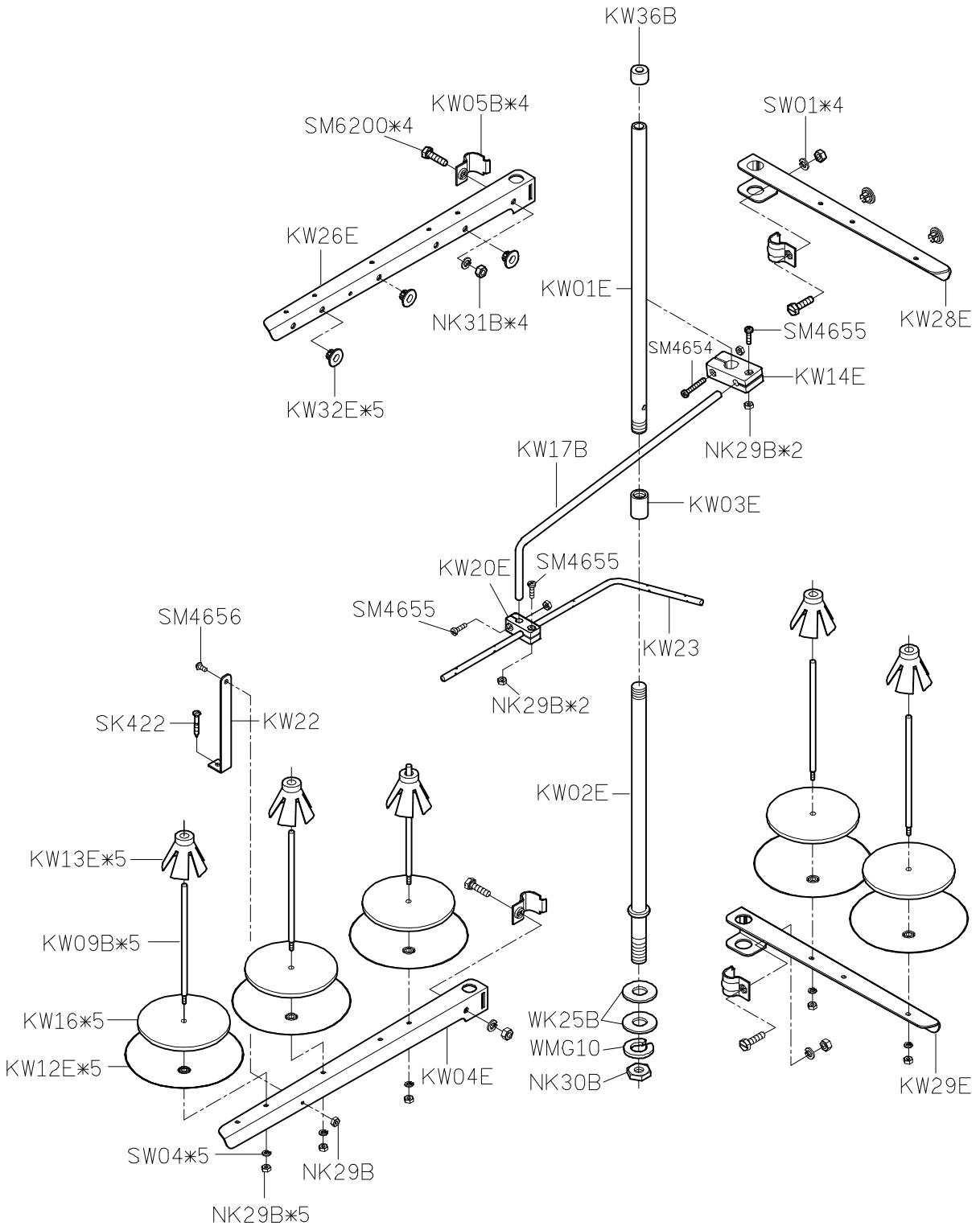
A

B

C

D

E



1

2

3

4

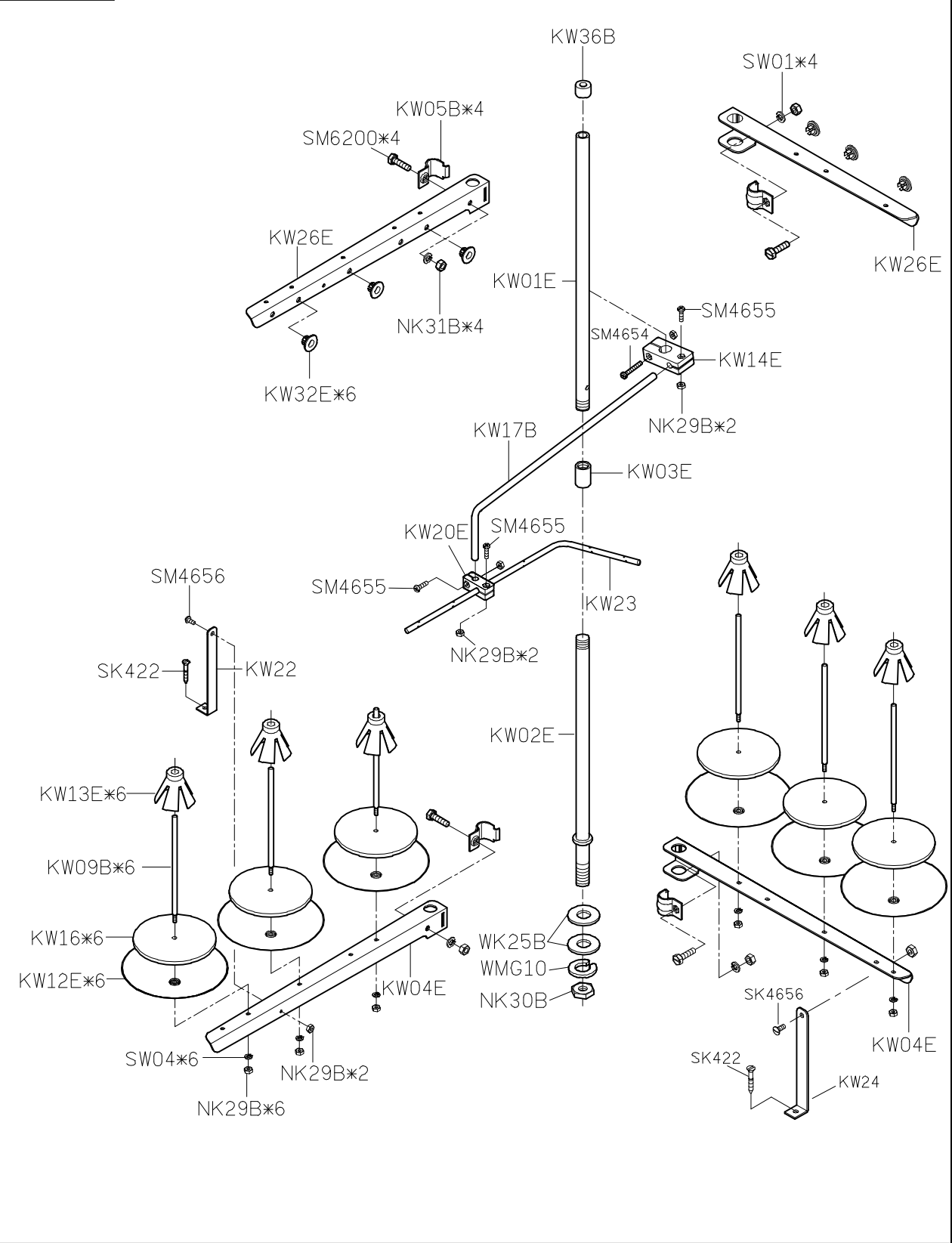
5

SIRUBA PARTS LIST	Series	Parts Group	Subclass / Remark	Page
	700K/700KD	KW		4/4
	988/988D			Date
				2012/08/18

KW40E-6

A
B
C
D
E

1 2 3 4 5



SIRUBA

PARTS LIST

Series

700K/700KD
988/988D

Parts Group

KX

Subclass Remark

Page

1/1

Date

2013/12/27

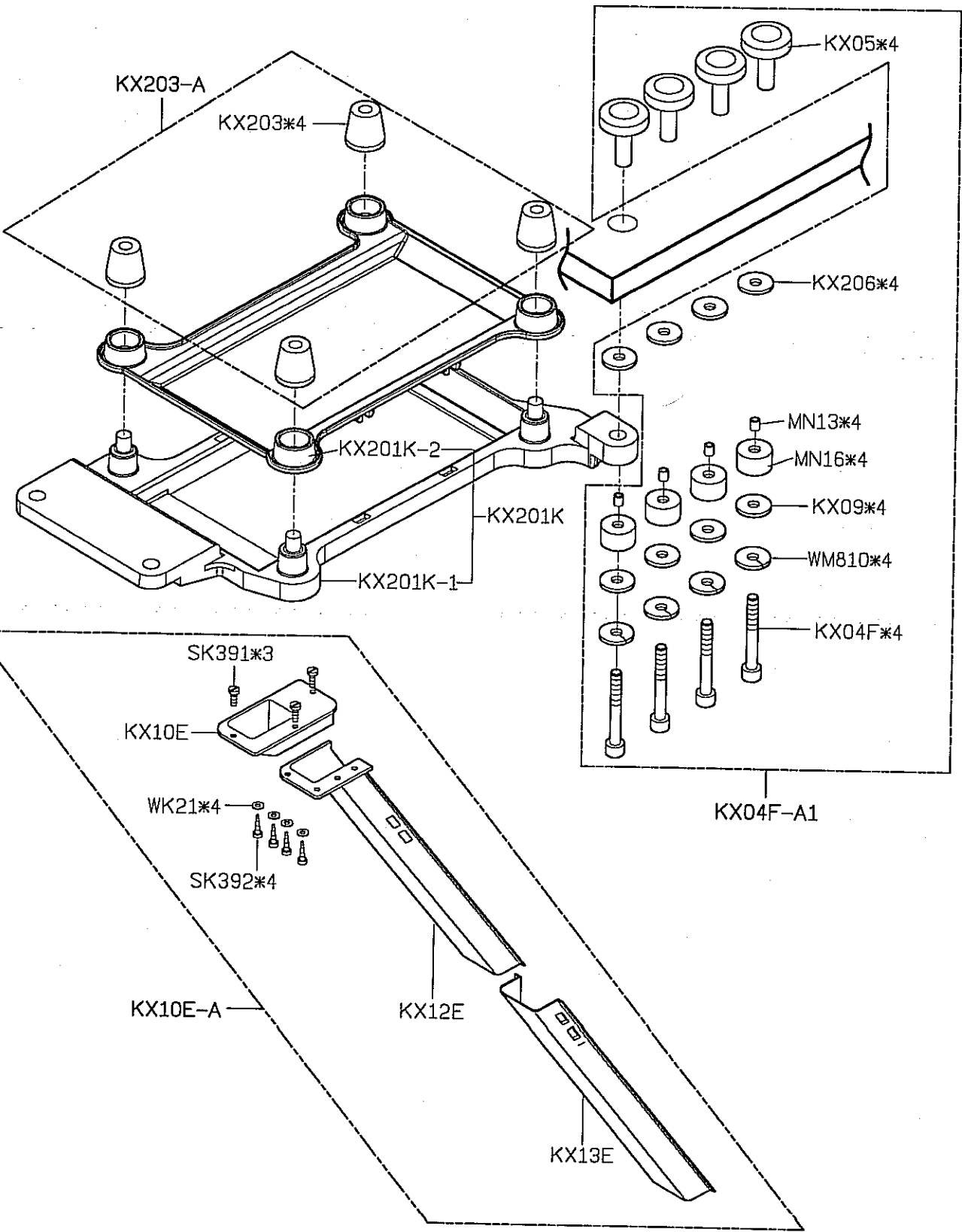
A

B

C

D

E



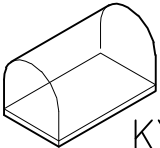
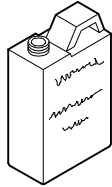



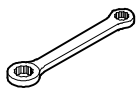
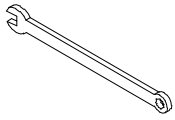




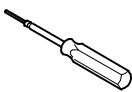
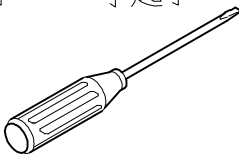
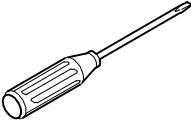

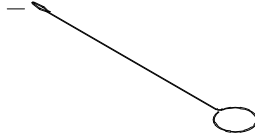
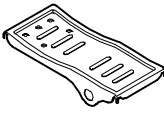


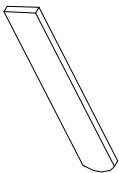

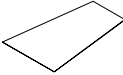
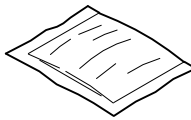
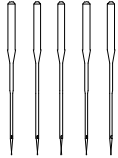
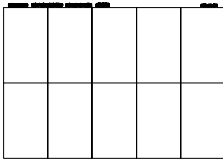
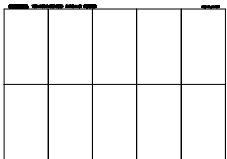
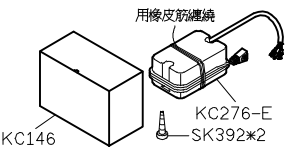
1

2

3

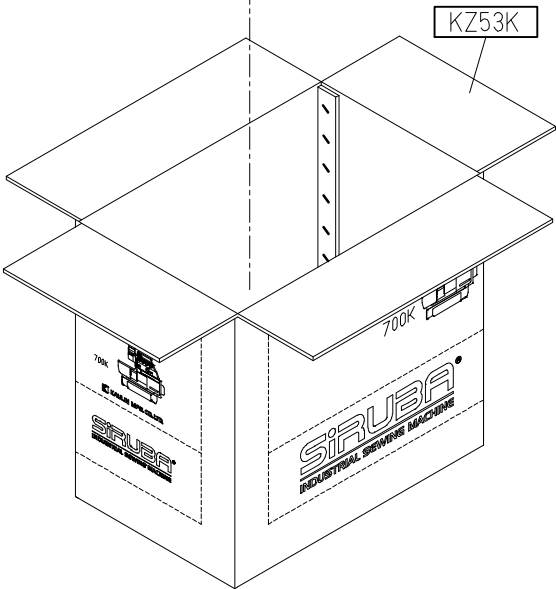
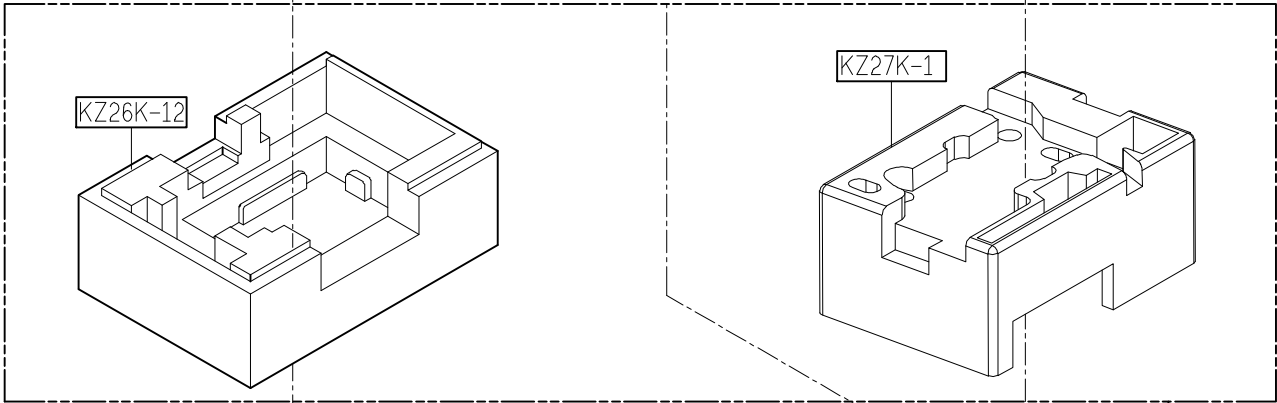
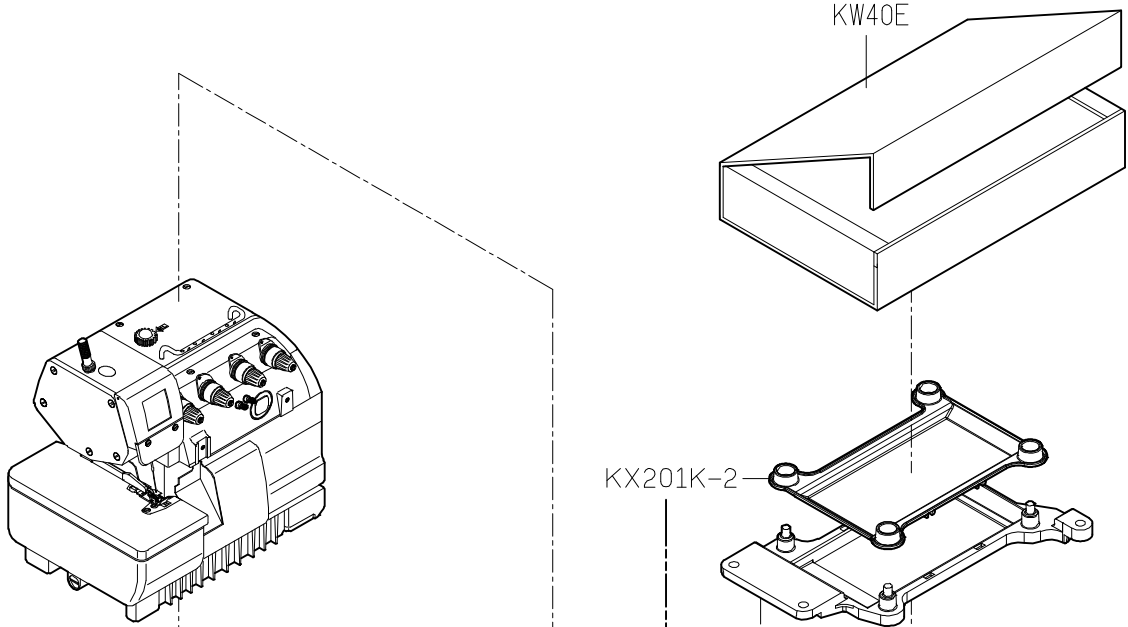
4

5

SIRUBA PARTS LIST	Series	Parts Group	Subclass Remark	Page
	700K/700KD 988/988D	KY	*: Use for 700KD/988D	1/1
				Date
				2012/08/18
KY01-1 防塵罩	KY02F-A 油罐	KY03 油壺	KY04 漏斗	KY05-A 油壺
				
KY23-A			KY10-A	
KY23 內六角板手	KY09 開口板手	KY10 六角板手	KY11 六角板手	KY12 六角板手
				
SK216 螺絲	KY14 內六角螺絲起子	KY16-A	KY17 一字起子	KY18 鑷子
				
KY19 穿線器	KY20D-A 腳踏板	KY21-A/MY21-A 鉤子/鍊條	KY201 工具袋	
				
KR35 下刀片	KT14-A 濾油器	KY30 針板紙	KZ03 乾燥濟	針*5 車針
				
KZ08K 使用說明書	KZ08K-2 零件圖	*KC276-A 燈座電器組		
				
		用橡皮筋纏繞 KC146 KC276-E SK392*2		
1	2	3	4	5

SIRUBA PARTS LIST	Series	Parts Group	Subclass Remark	Page
	700K/700KD 988/988D	KZ		1/1
				Date
				2012/11/27

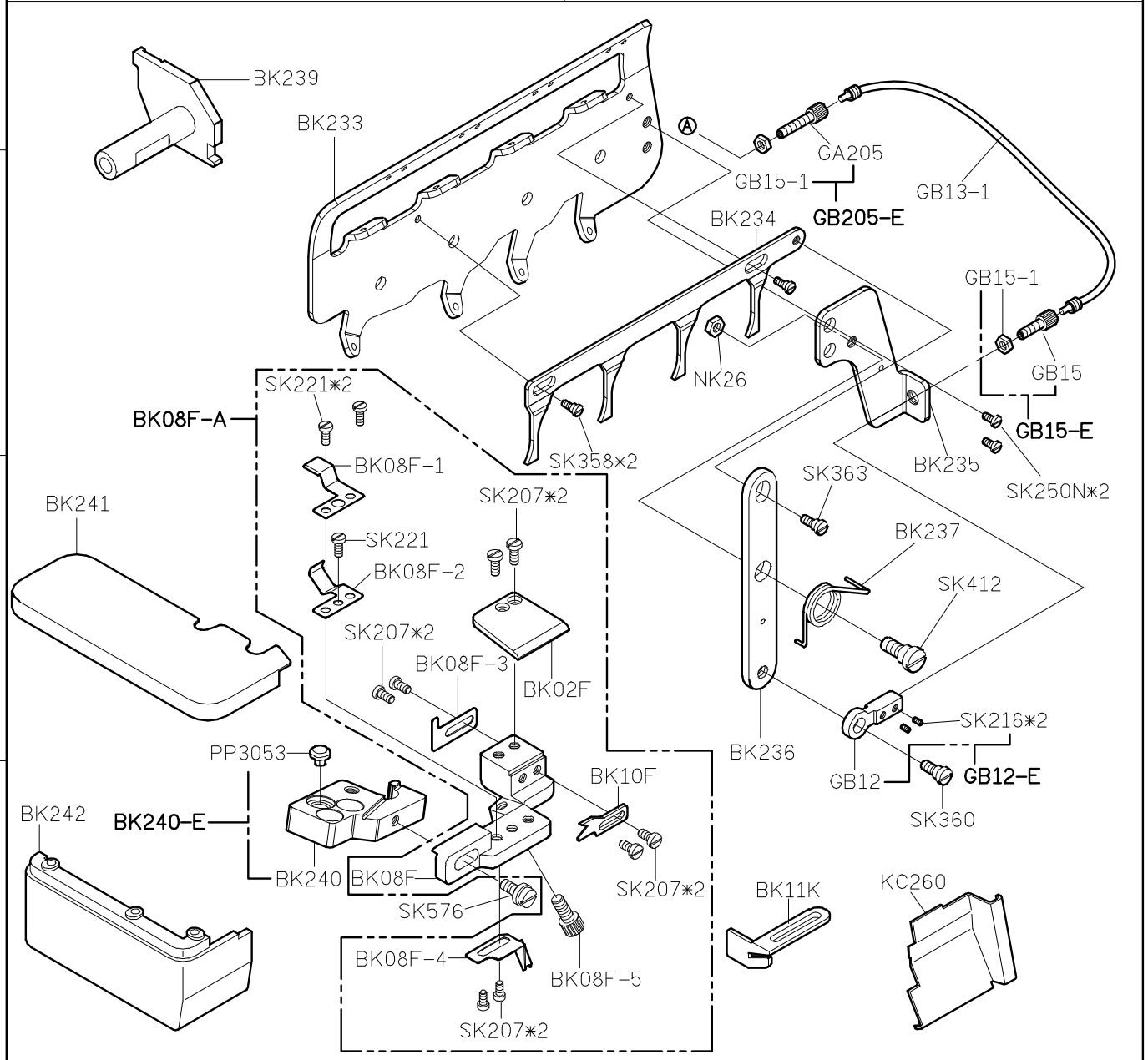
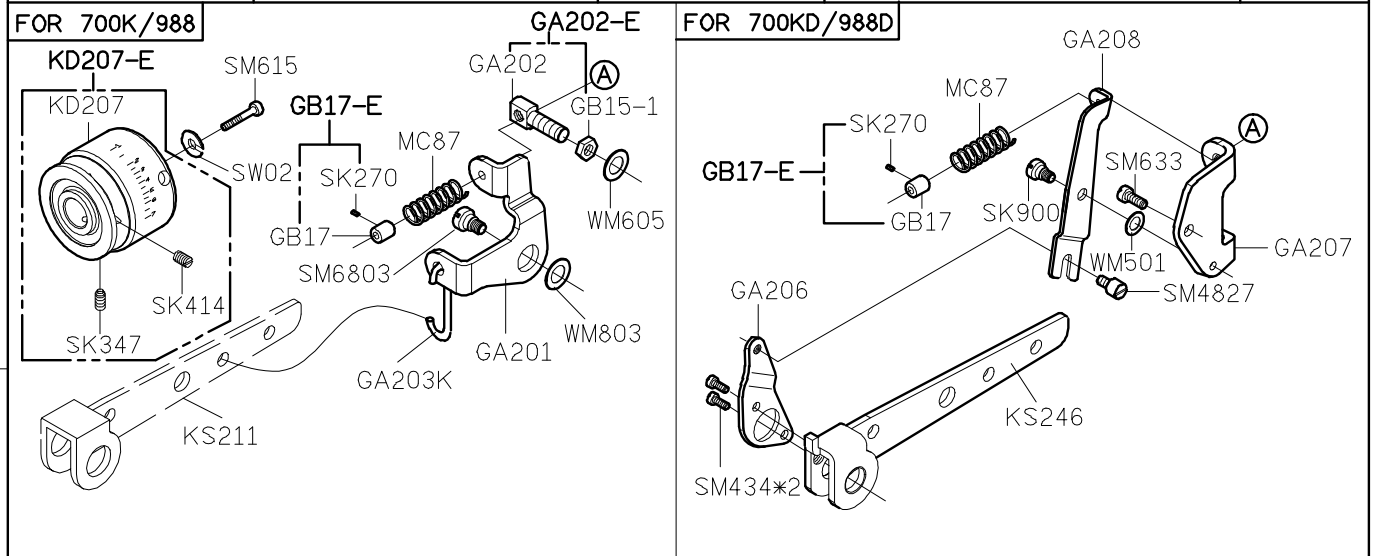
A
B
C
D
E



MODEL	PARTS NO		
700K	KZ53K	KZ27K	KZ27K-1/KZ26K-12
988	KZ53K-1	KZ27K	KZ27K-1/KZ26K-12
700KD	KZ53KD	KZ27K	KZ27K-1/KZ26K-12
988D	KZ53KD-1	KZ27K	KZ27K-1/KZ26K-12
700K-LFC	KZ55K	KZ51K	KZ51K-1/KZ26K-2
988-LFC	KZ55K-1	KZ51K	KZ51K-1/KZ26K-2
700KD-LFC	KZ55KD	KZ51K	KZ51K-1/KZ26K-2
988D-LFC	KZ55KD-1	KZ51K	KZ51K-1/KZ26K-2

1 2 3 4 5

SIRUBA PARTS LIST	Series	Parts Group	Subclass / Remark	Page
	700K/700KD 988/988D	BK-1K		1/1
				Date 2012/12/18



1

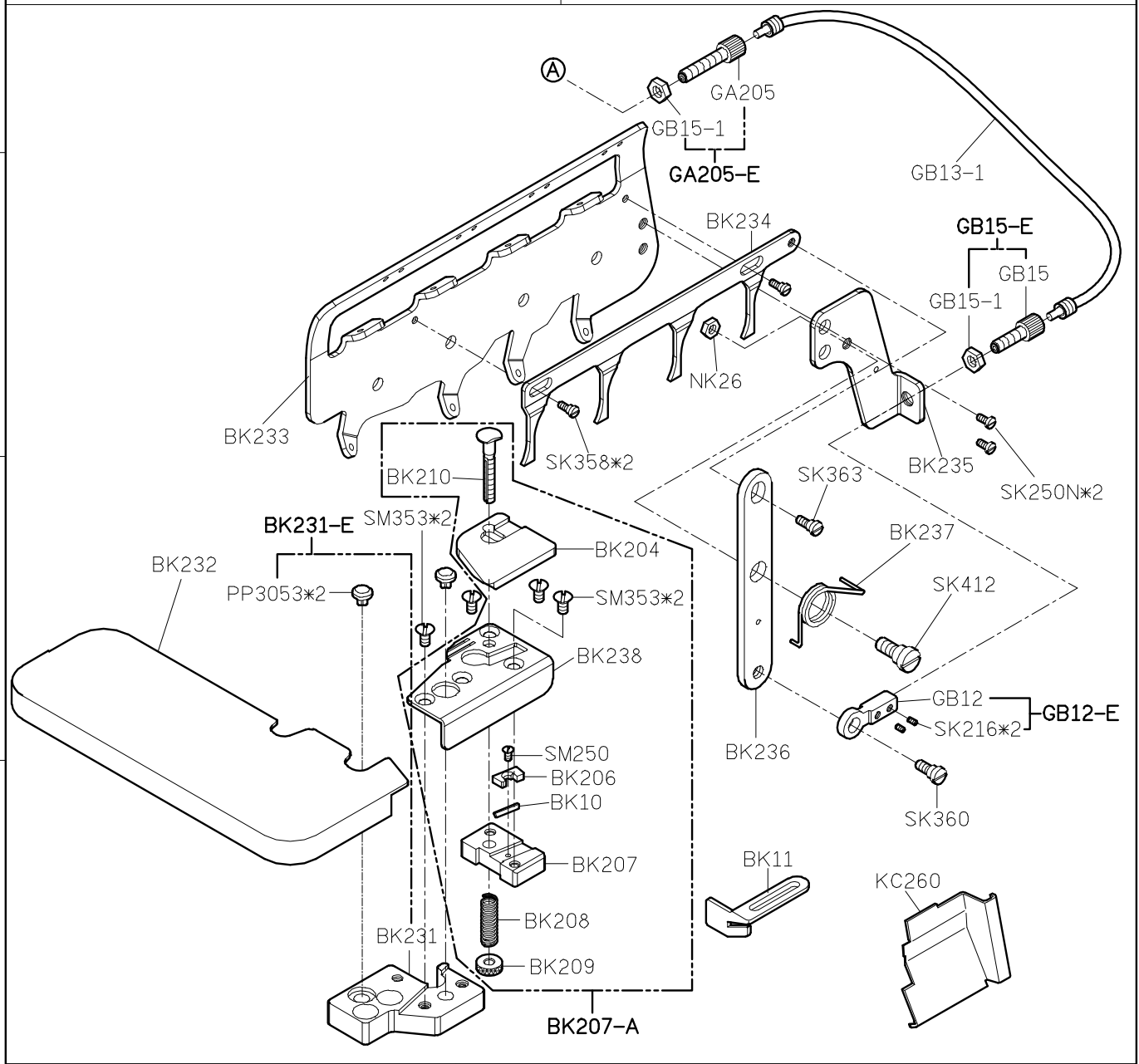
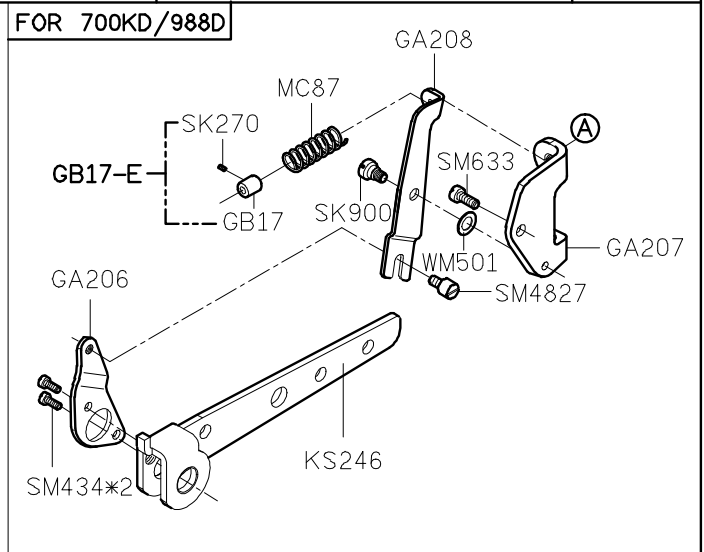
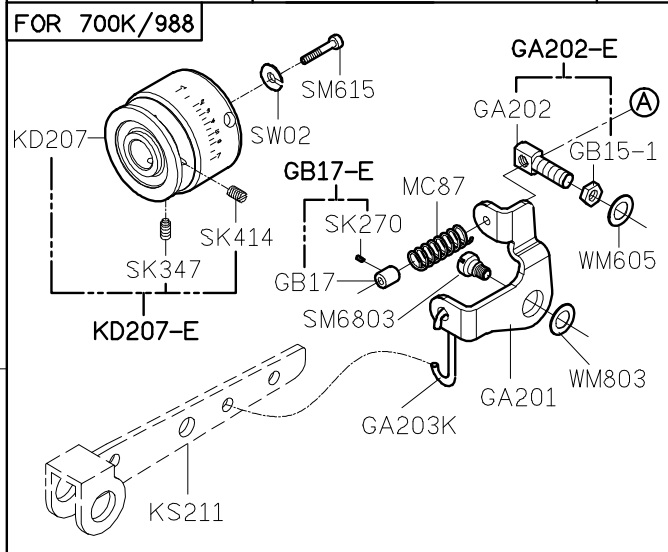
2

3

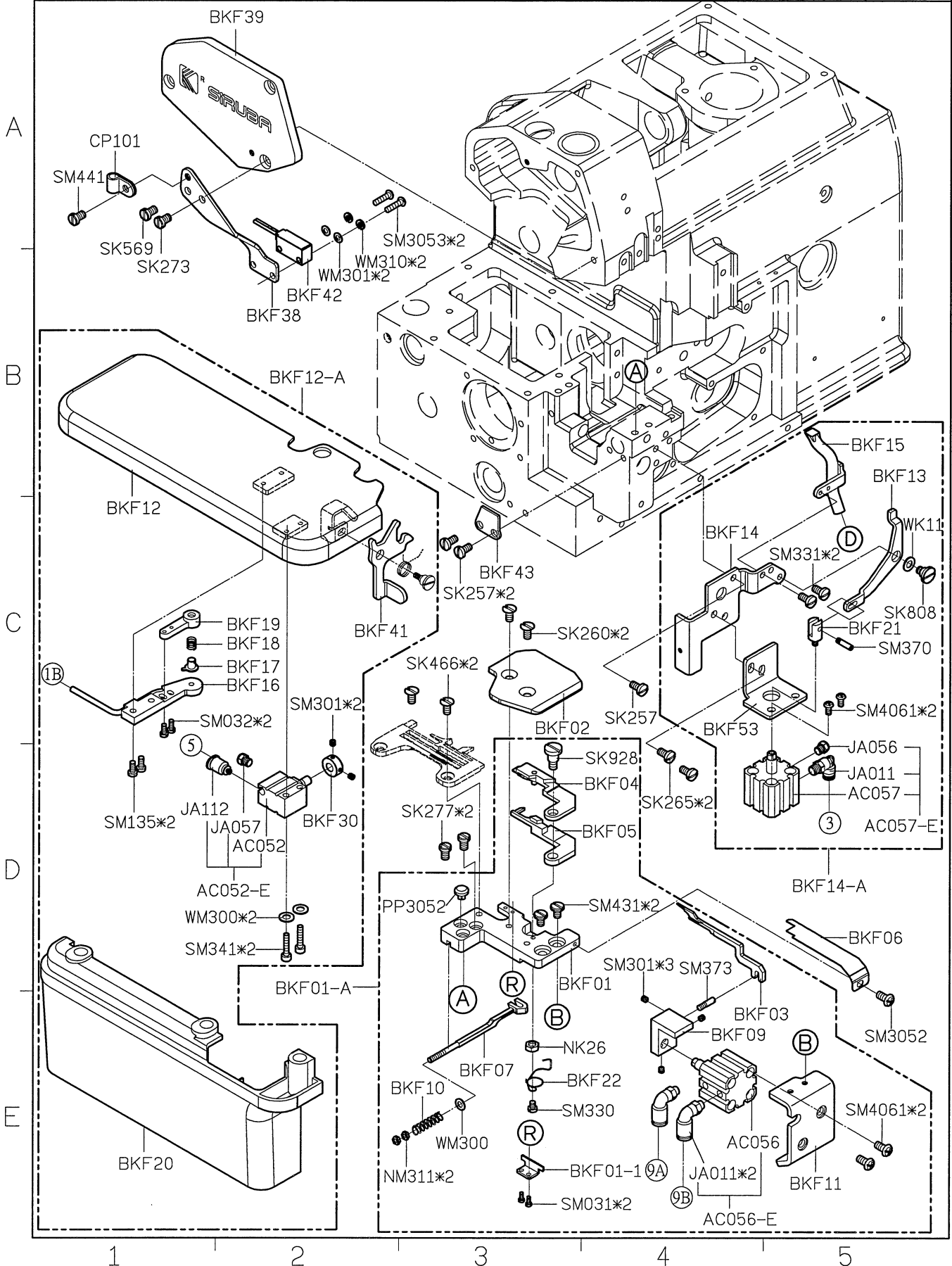
4

5

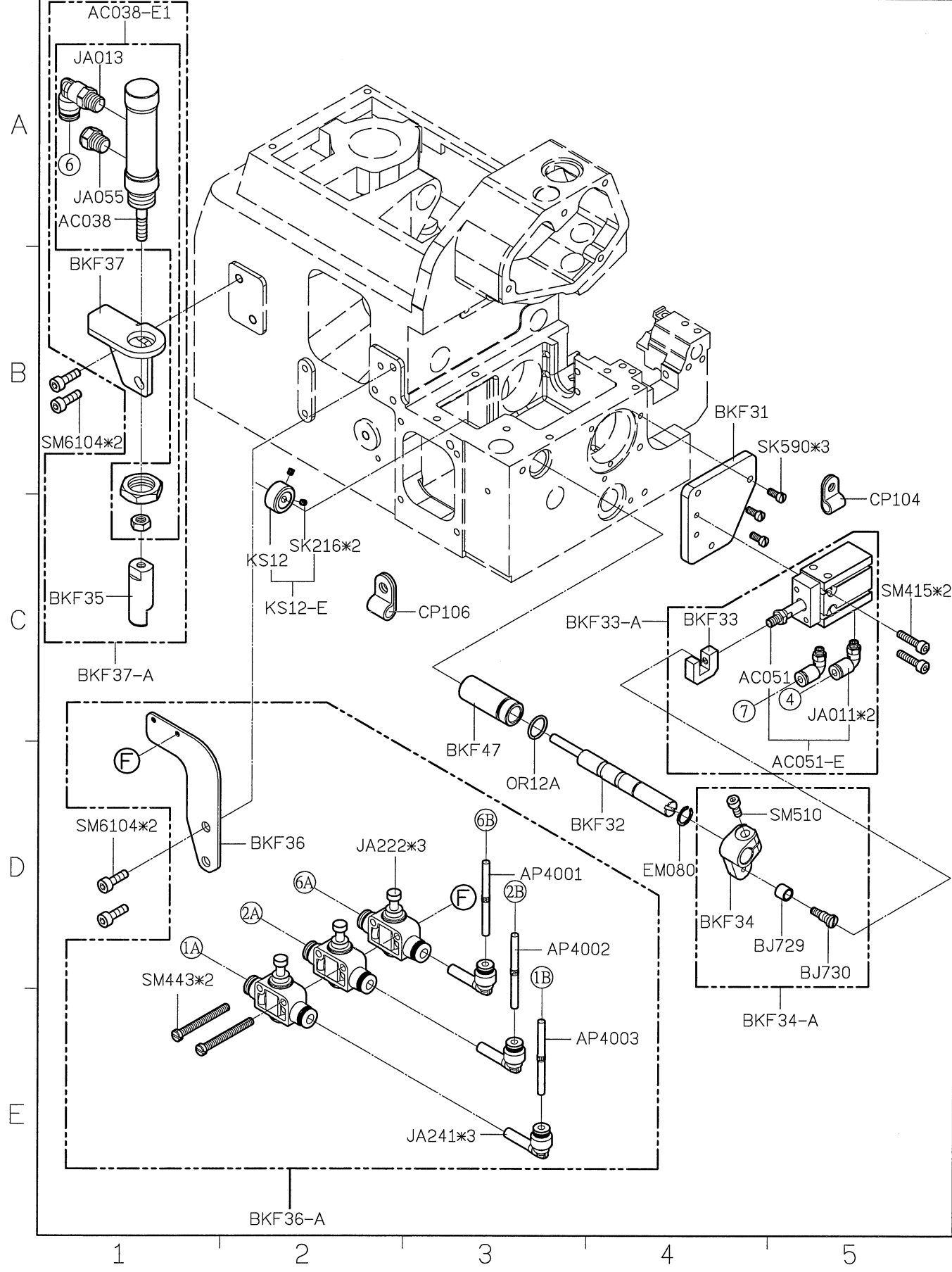
SIRUBA PARTS LIST	Series	Parts Group	Subclass / Remark	Page
	700K/700KD 988/988D	BK-K		1/1
			Date	
				2012/12/18



SIRUBA PARTS LIST	Series	Parts Group	Subclass / Remark	Page
	700K	BKF		1/9
				Date
				2014/9/10



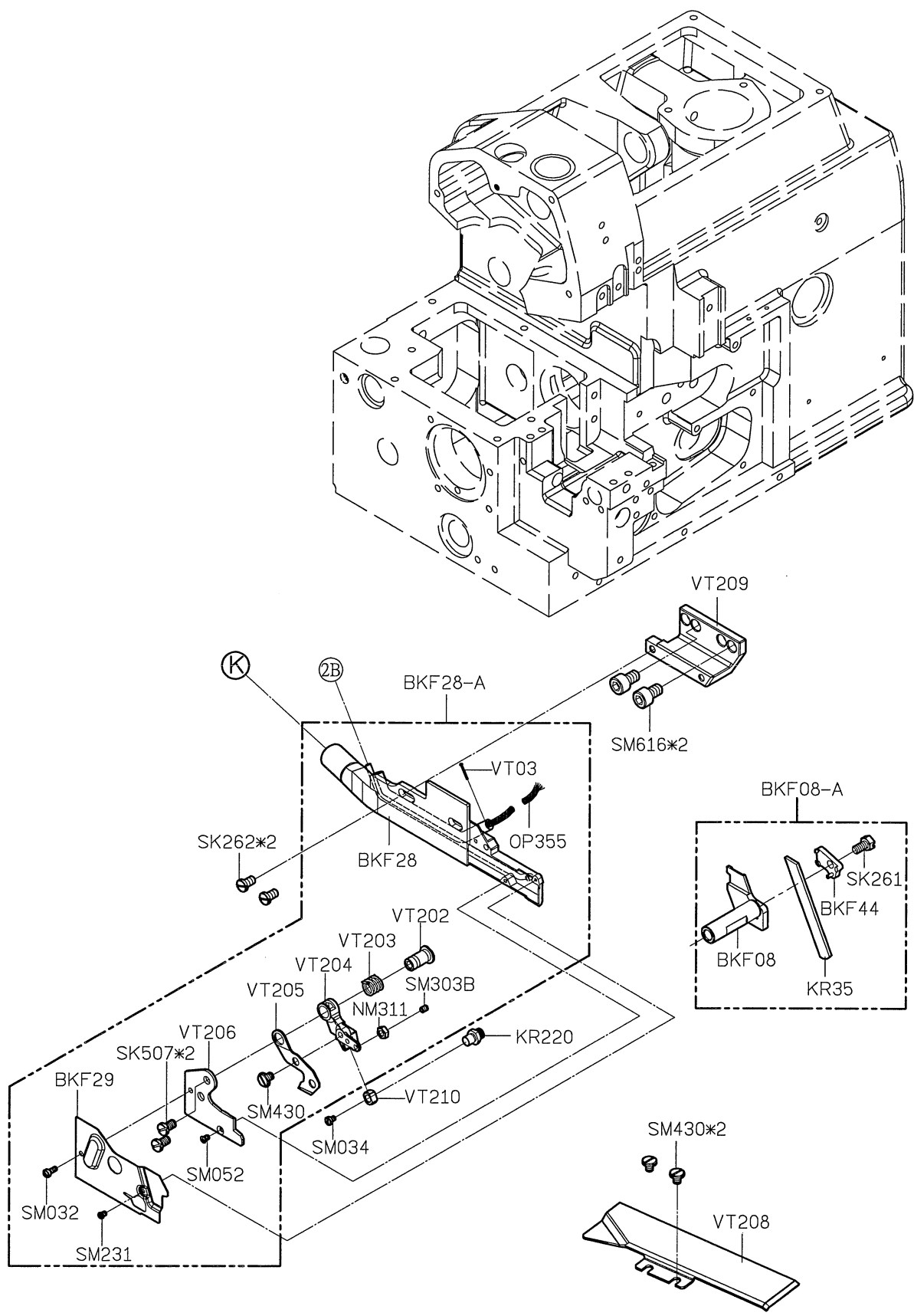
SIRUBA PARTS LIST	Series	Parts Group	Subclass / Remark	Page
	700K	BKF		2/9
				Date
				2014/9/5



1 2 3 4 5

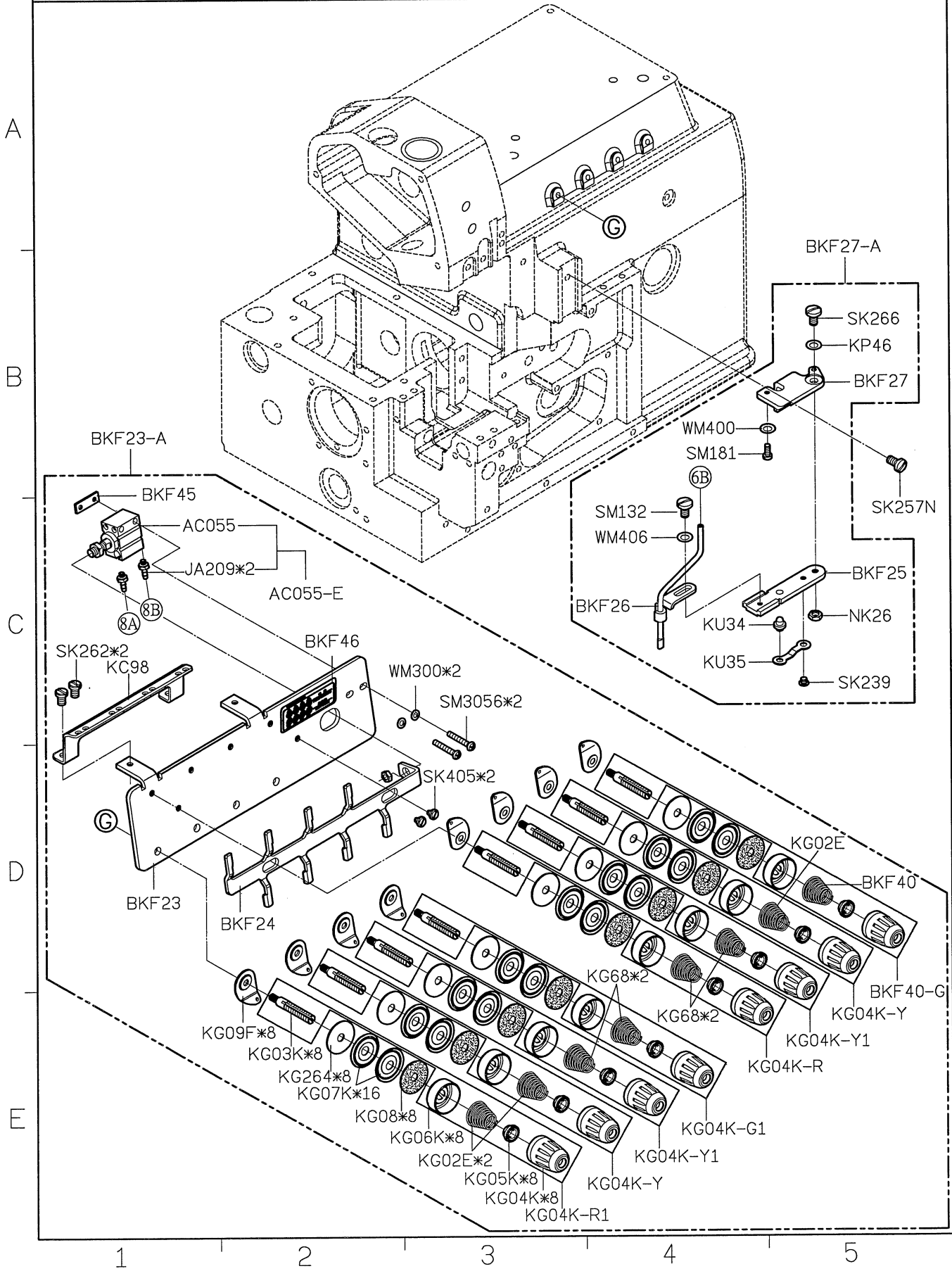
SIRUBA PARTS LIST	Series	Parts Group	Subclass / Remark	Page
	700K	BKF		3/9
				Date
				2014/9/12

A
B
C
D
E

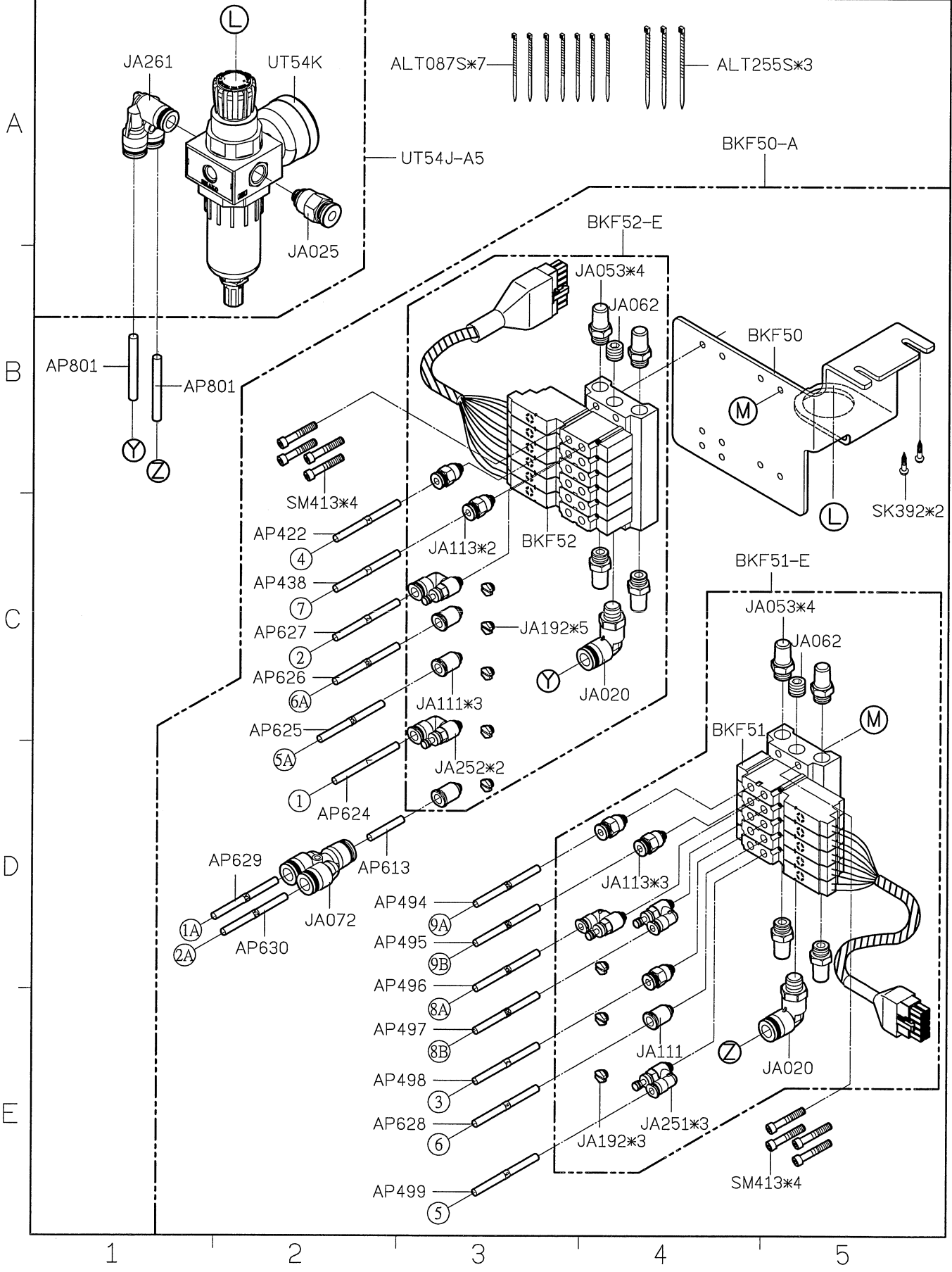


1 2 3 4 5

SIRUBA PARTS LIST	Series	Parts Group	Subclass / Remark	Page
	700K	BKF		4/9
				Date
				2014/7/1



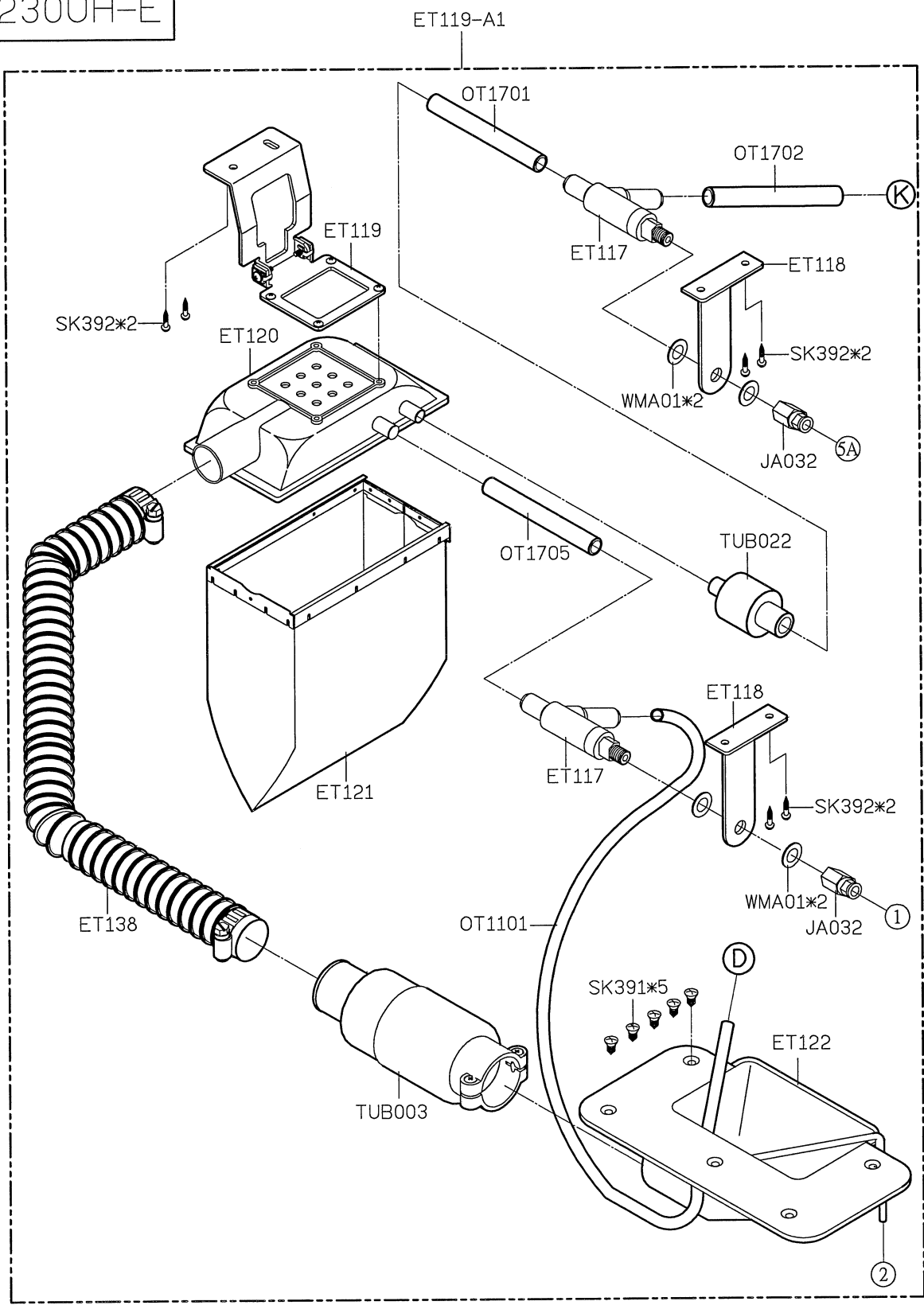
SIRUBA PARTS LIST	Series	Parts Group	Subclass / Remark	Page
	700K	BKF		5/9
				Date
				2014/9/12



SIRUBA PARTS LIST	Series	Parts Group	Subclass / Remark	Page
	700K	BKF		6/9
				Date
				2014/7/1

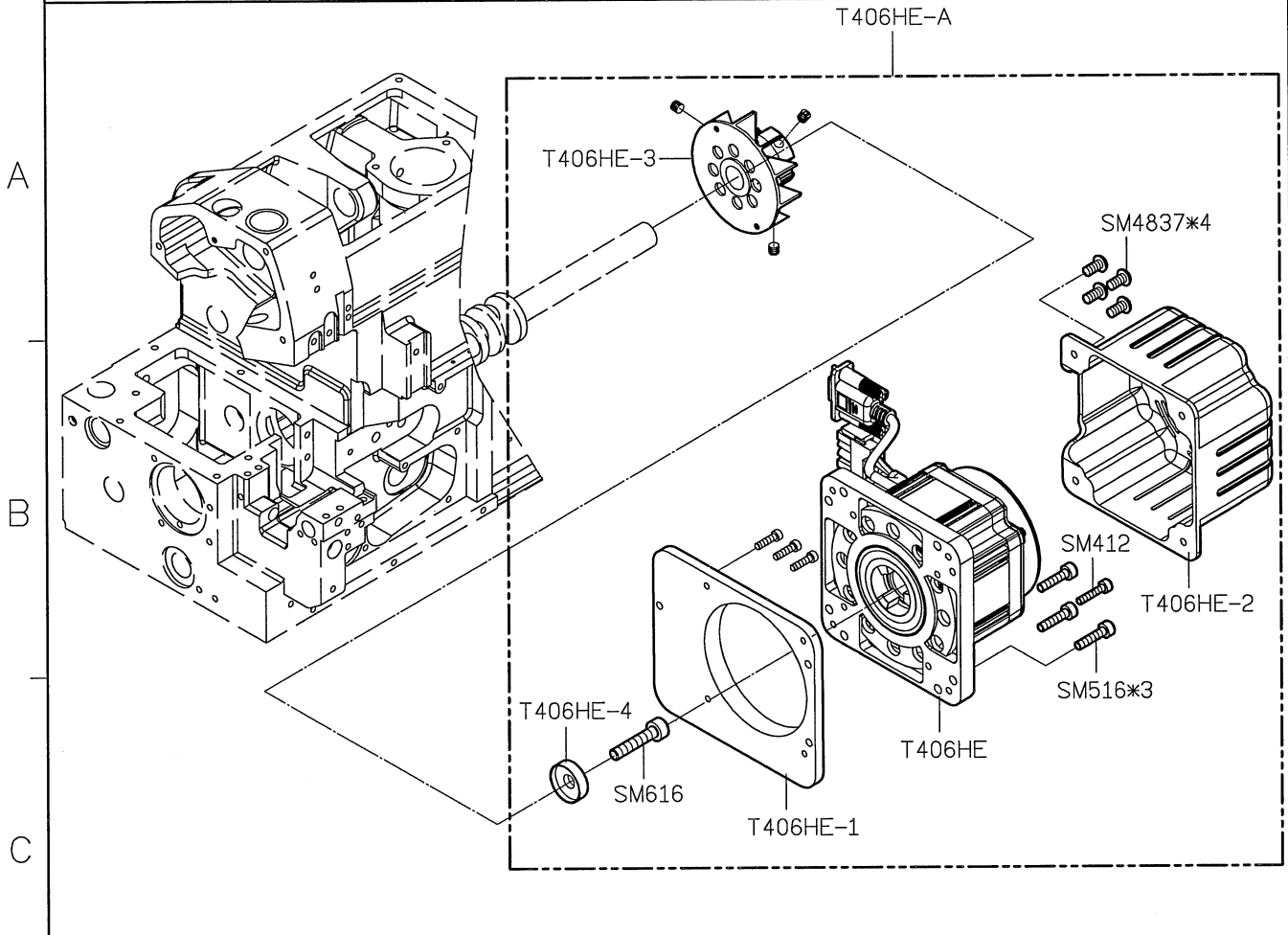
T6230UH-E

A
B
C
D
E

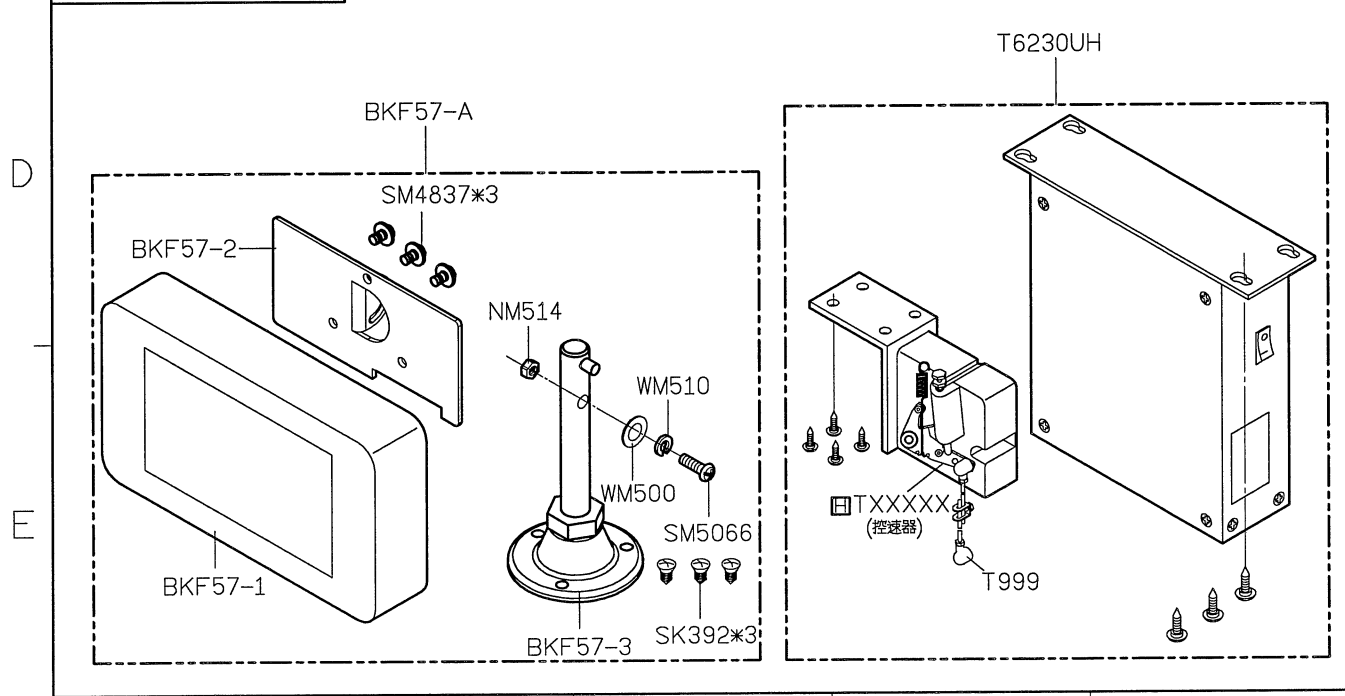


1 2 3 4 5

SIRUBA PARTS LIST	Series	Parts Group	Subclass / Remark	Page
	700K	BKF		7/9
				Date
				2014/7/1



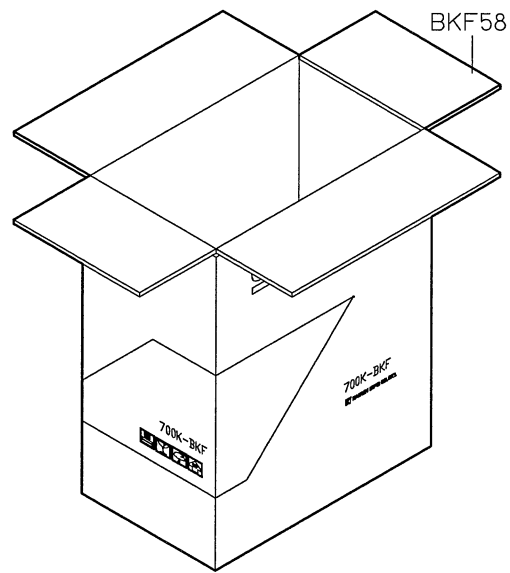
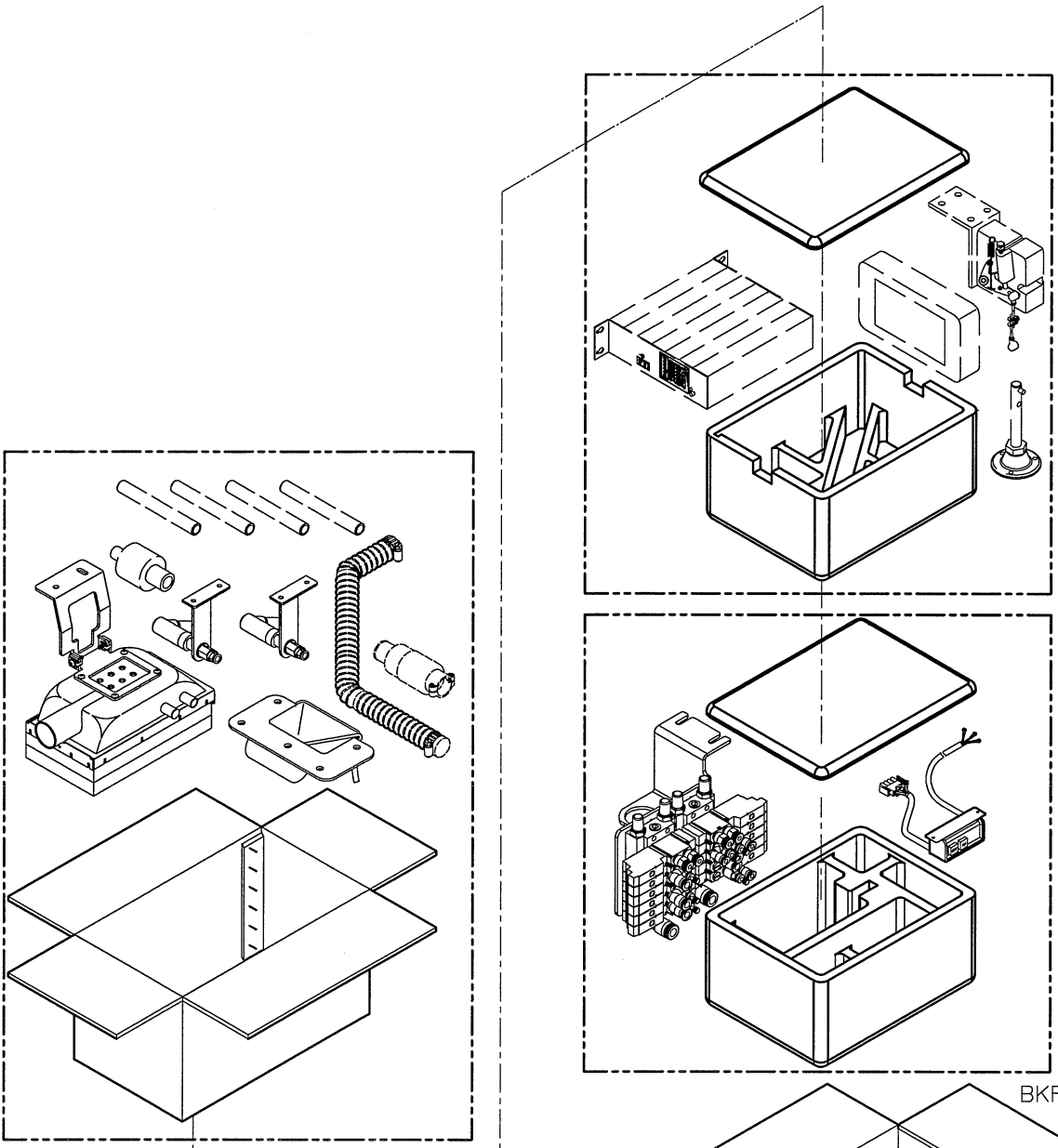
T6230UH-E



1 2 3 4 5

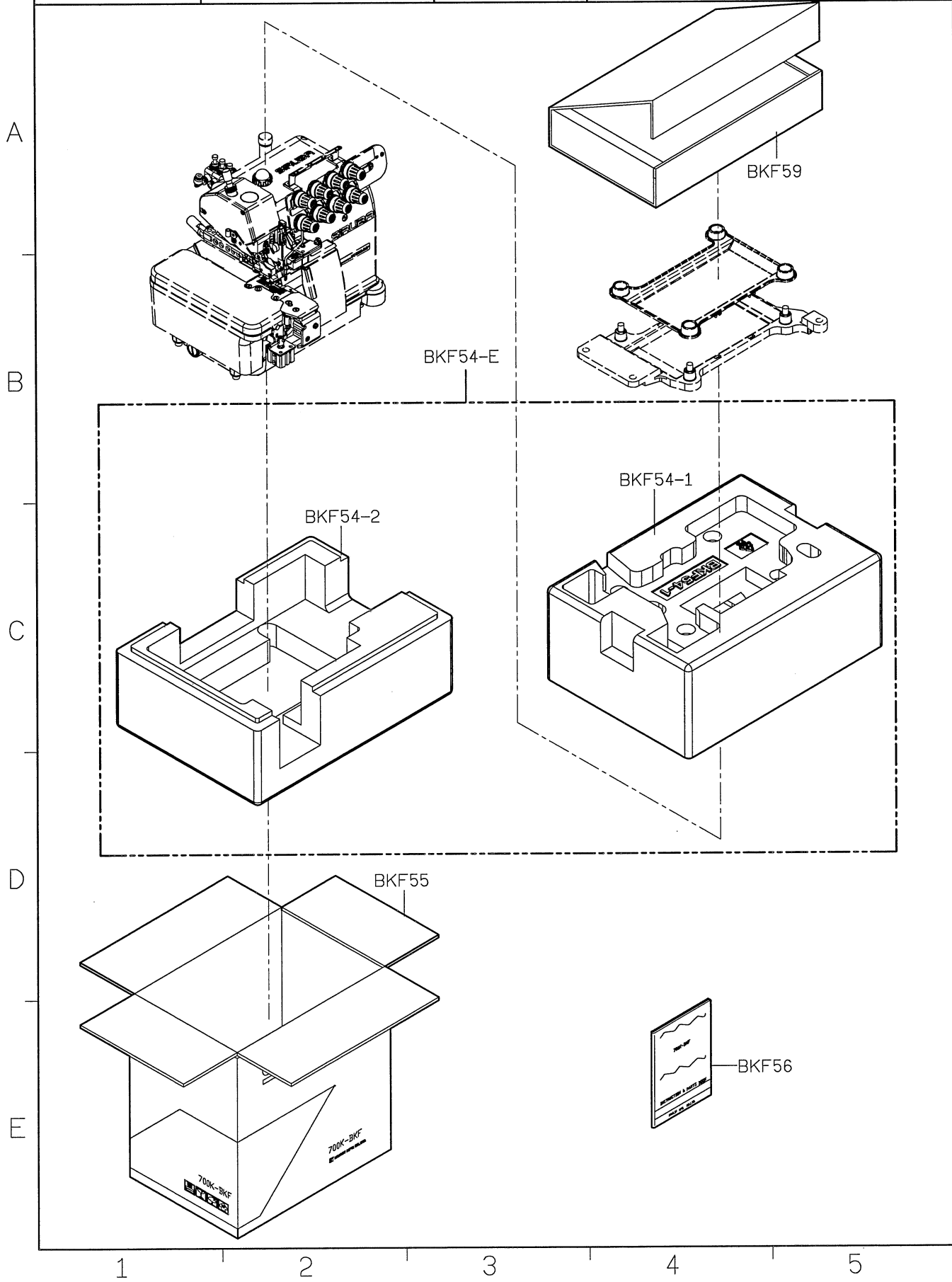
SIRUBA PARTS LIST	Series	Parts Group	Subclass / Remark	Page
	700K	BKF		8/9
				Date
				2014/9/5

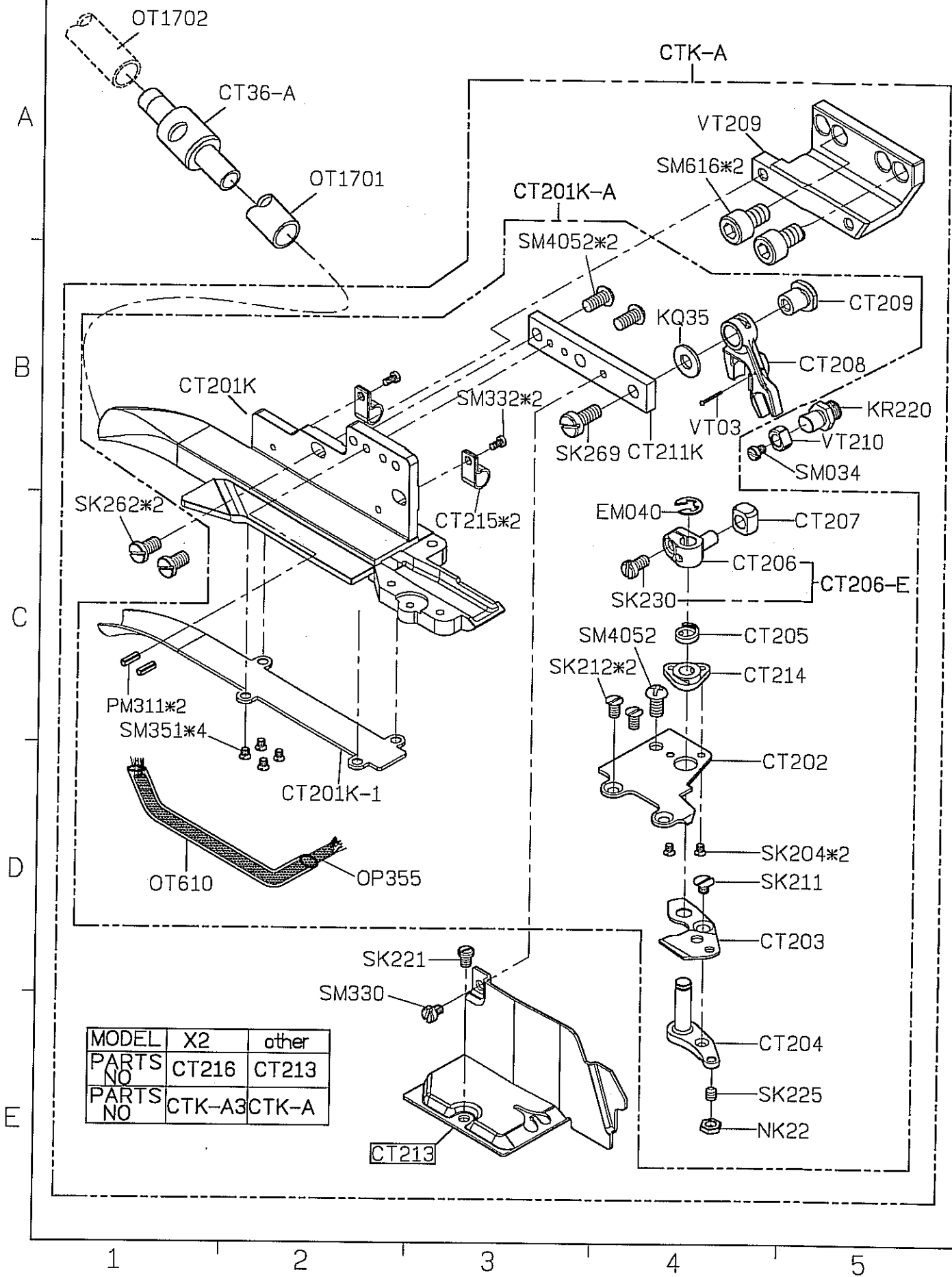
A
B
C
D
E



1 2 3 4 5

SIRUBA PARTS LIST	Series	Parts Group	Subclass / Remark	Page
	700K	BKF		9/9
			Date	
			2014/7/1	



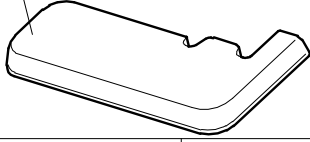


MODEL	X2	other
PARTS NO	CT216	CT213
PARTS NO	CTK-A3	CTK-A

SIRUBA PARTS LIST	Series	Parts Group	Subclass / Remark	Page
	700K/700KD	EC-K	EC-K for Short Knife	1/4
	988/988D		EC-K-A for Long Knife	Date
			#:Use for 700KD/988D	2012/12/13
			●:Use for Long Knife	

Option : ● Long Knife

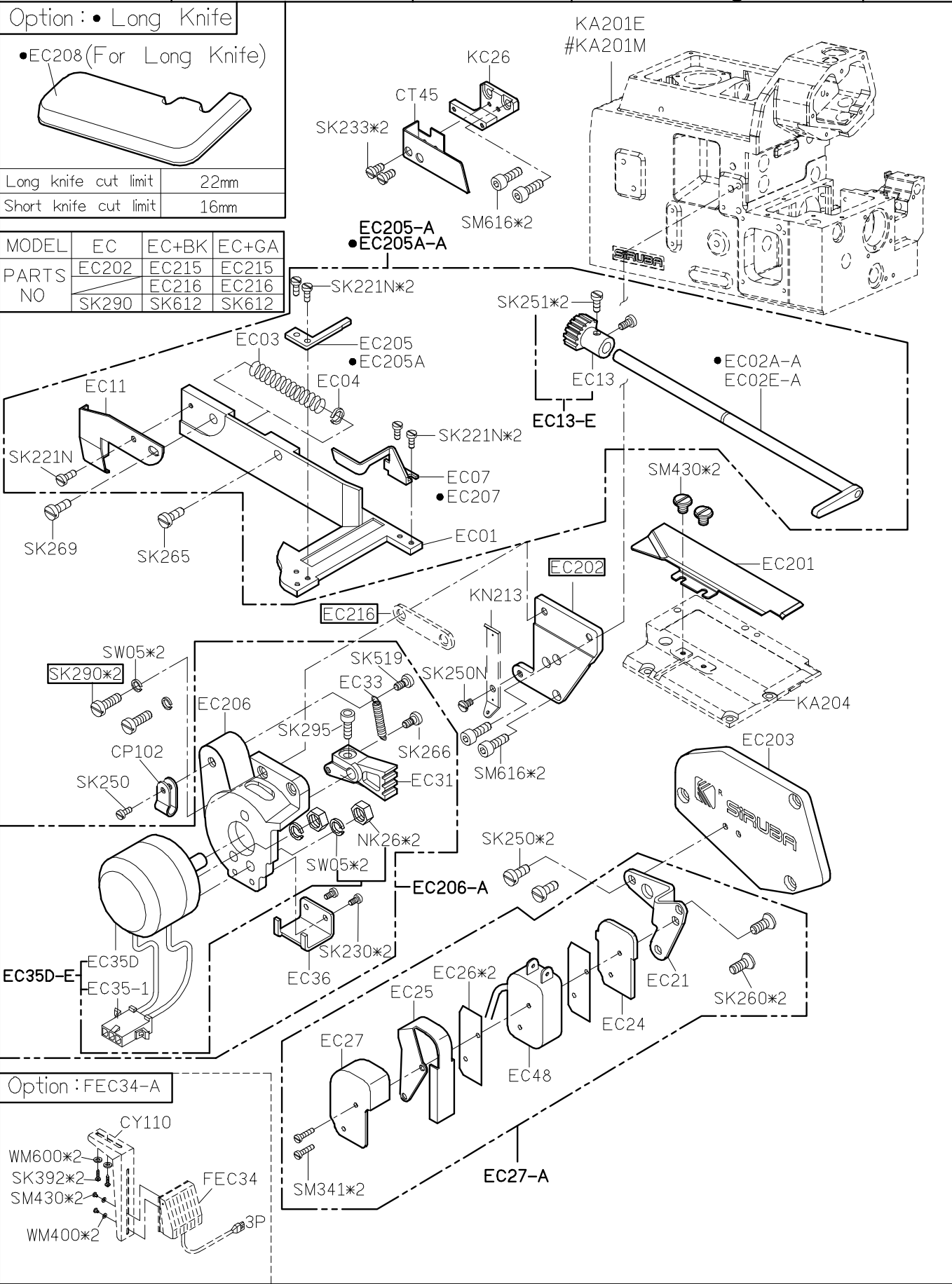
●EC208(For Long Knife)



Long knife cut limit 22mm

Short knife cut limit 16mm

MODEL	EC	EC+BK	EC+GA
PARTS NO	EC202	EC215	EC215
	SK290	SK612	SK612

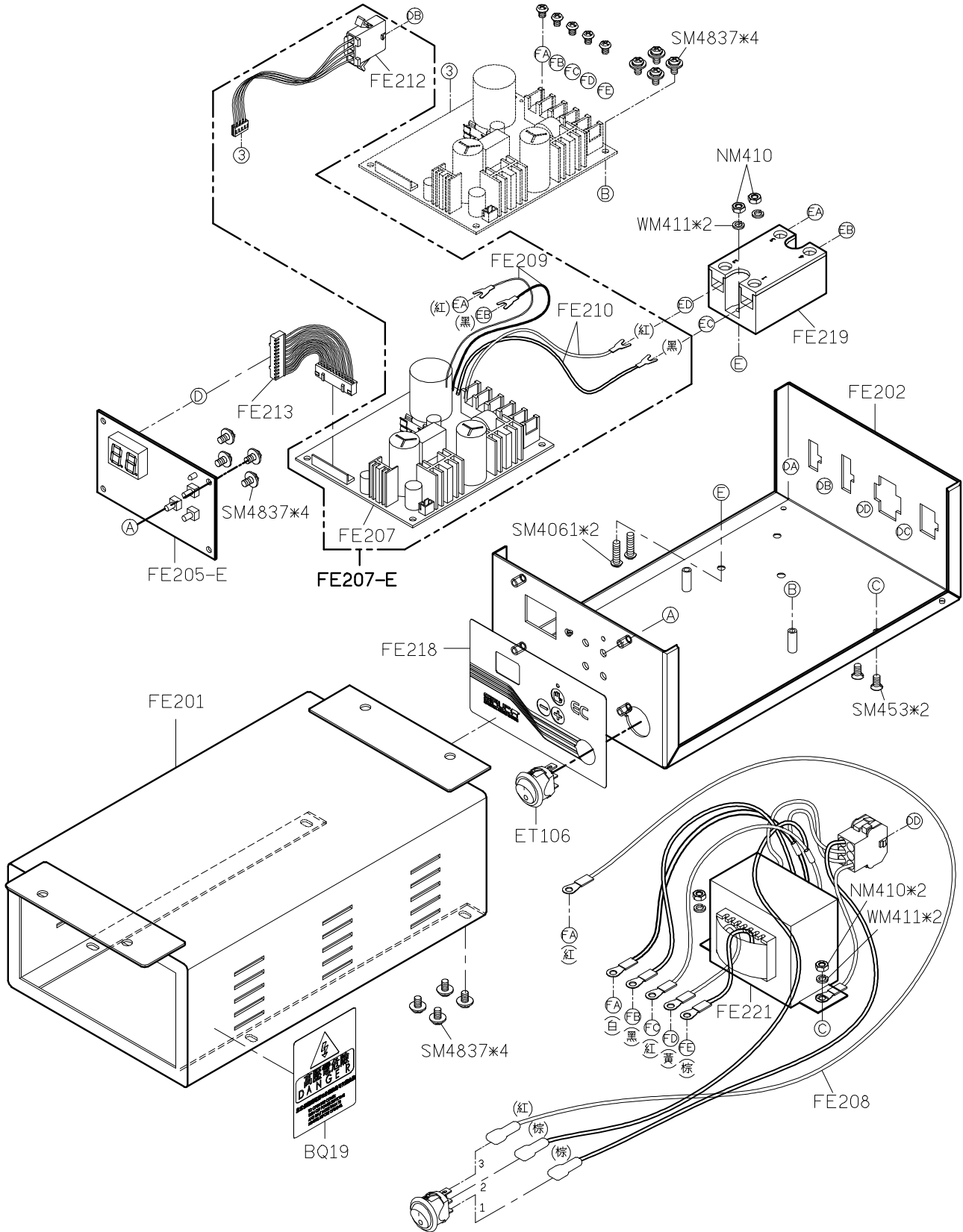


SIRUBA PARTS LIST	Series	Parts Group	Subclass / Remark	Page
	700K/700KD 988/988D	EC-K		2/4
				Date

2012/11/16

FE202-A

A
B
C
D
E



SIRUBA PARTS LIST	Series	Parts Group	Subclass / Remark	Page
	700K/700KD	EC-K		3/4
	988/988D			Date
				2012/11/16

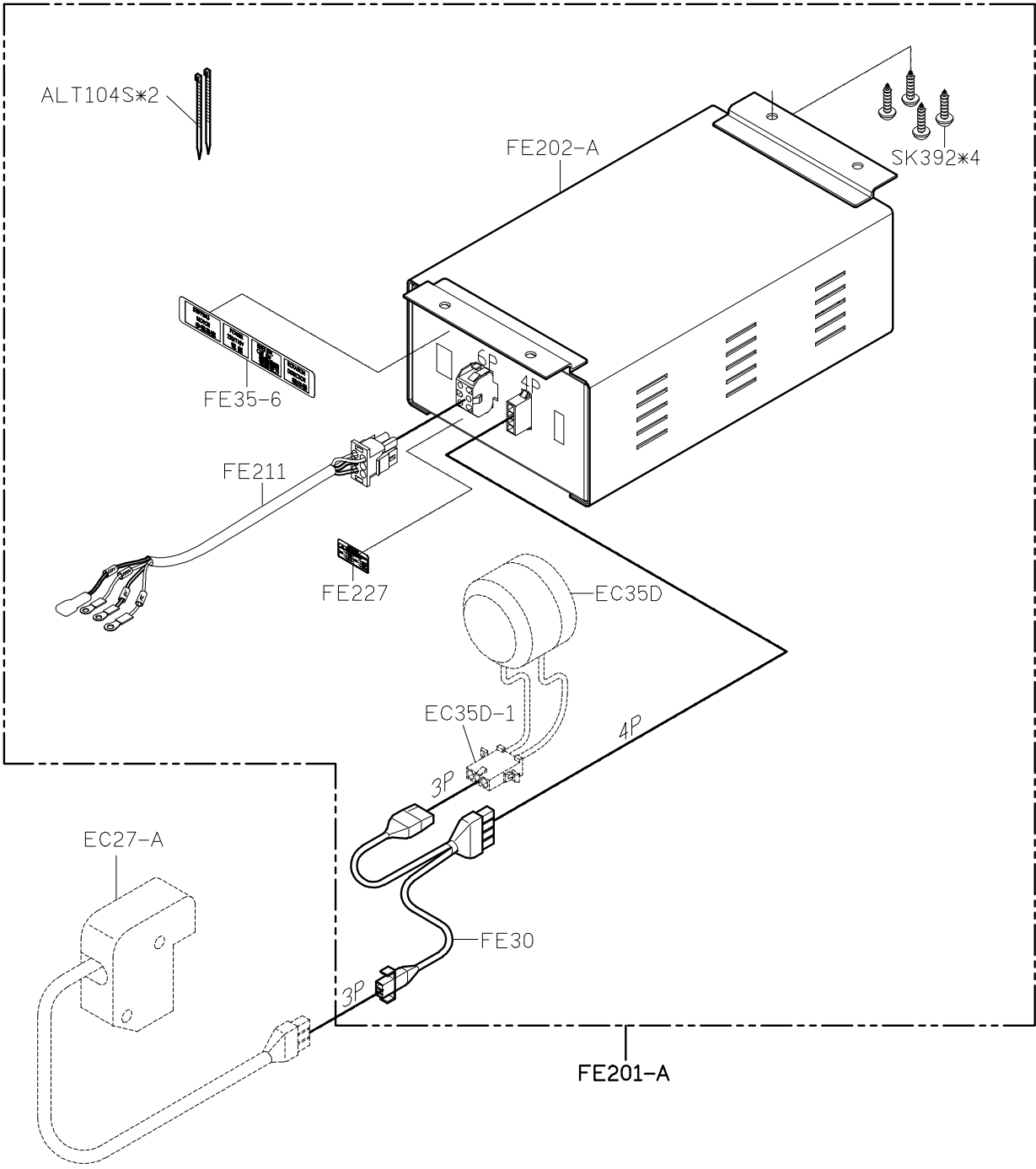
A

B

C

D

E



1

2

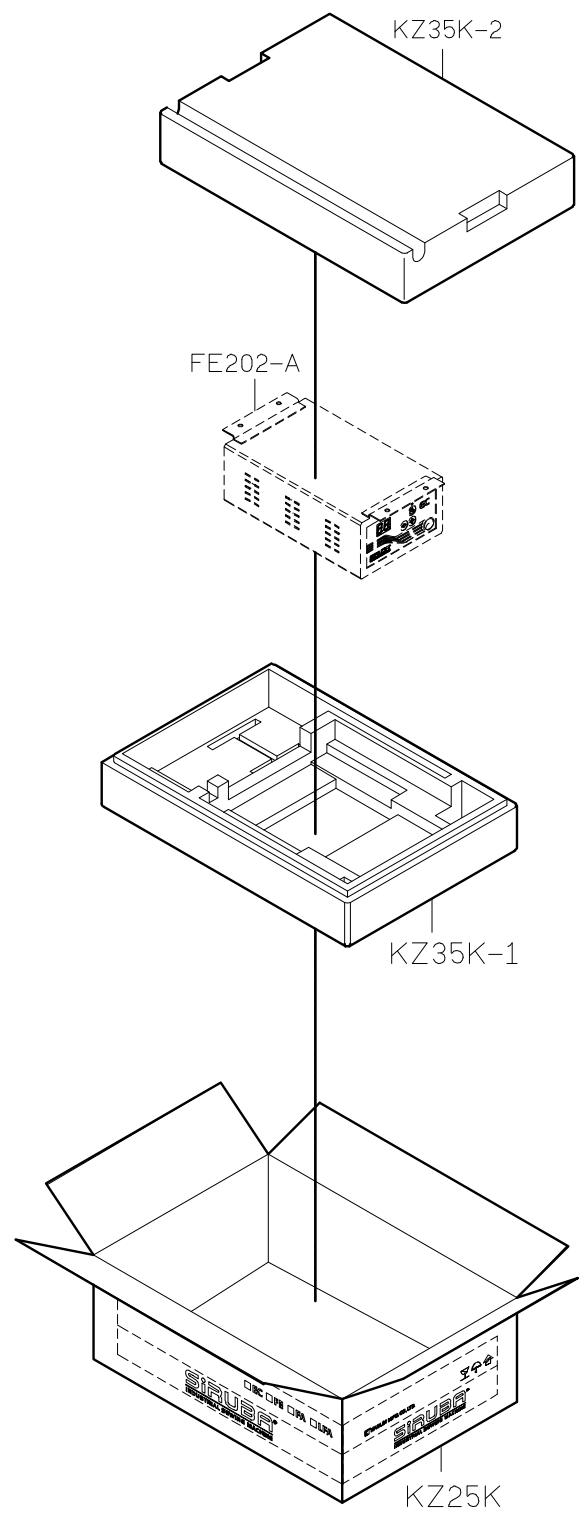
3

4

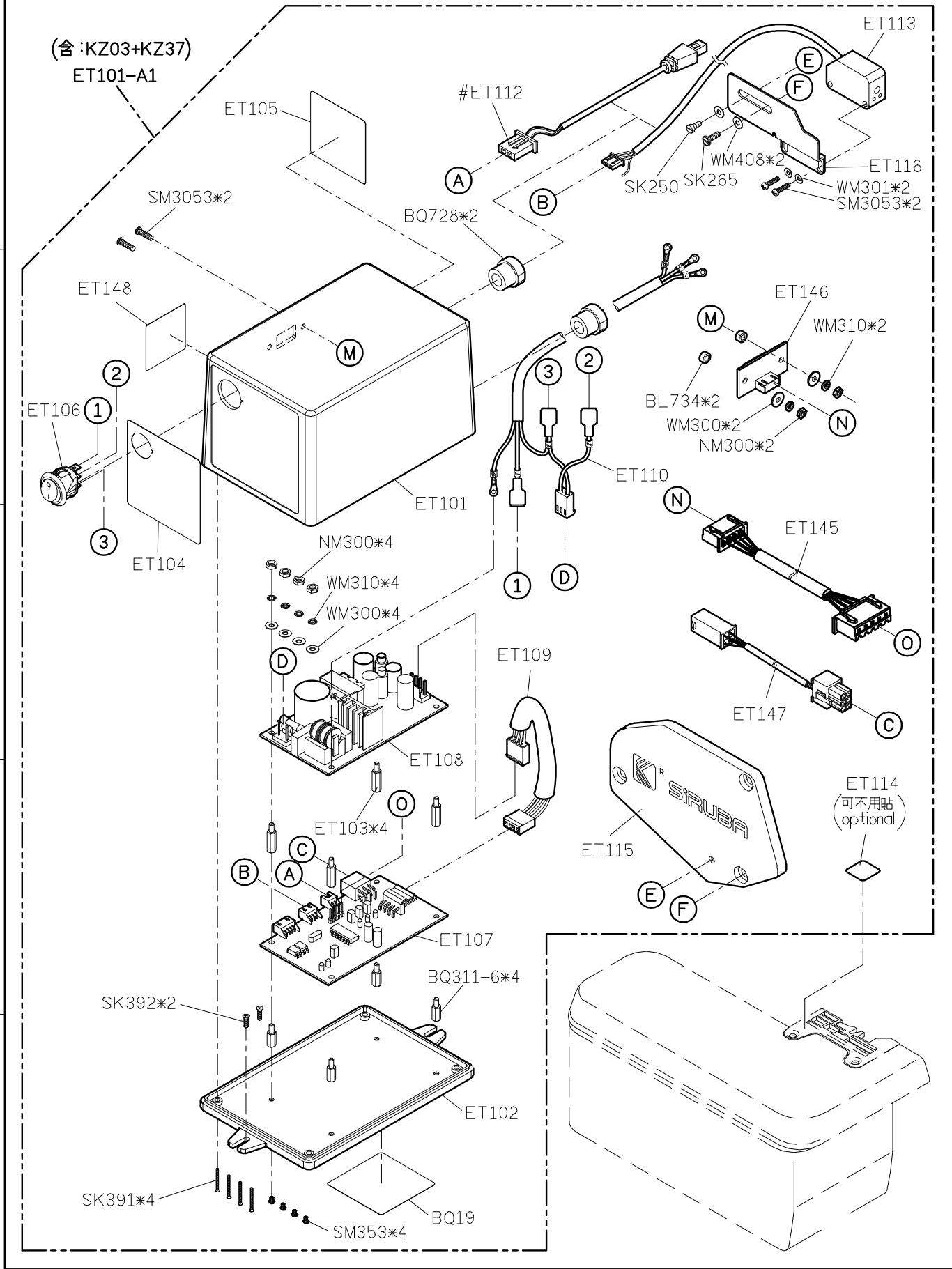
5

SIRUBA PARTS LIST	Series	Parts Group	Subclass / Remark	Page
	700K/700KD 988/988D	EC-K		4/4
				Date 2012/11/16

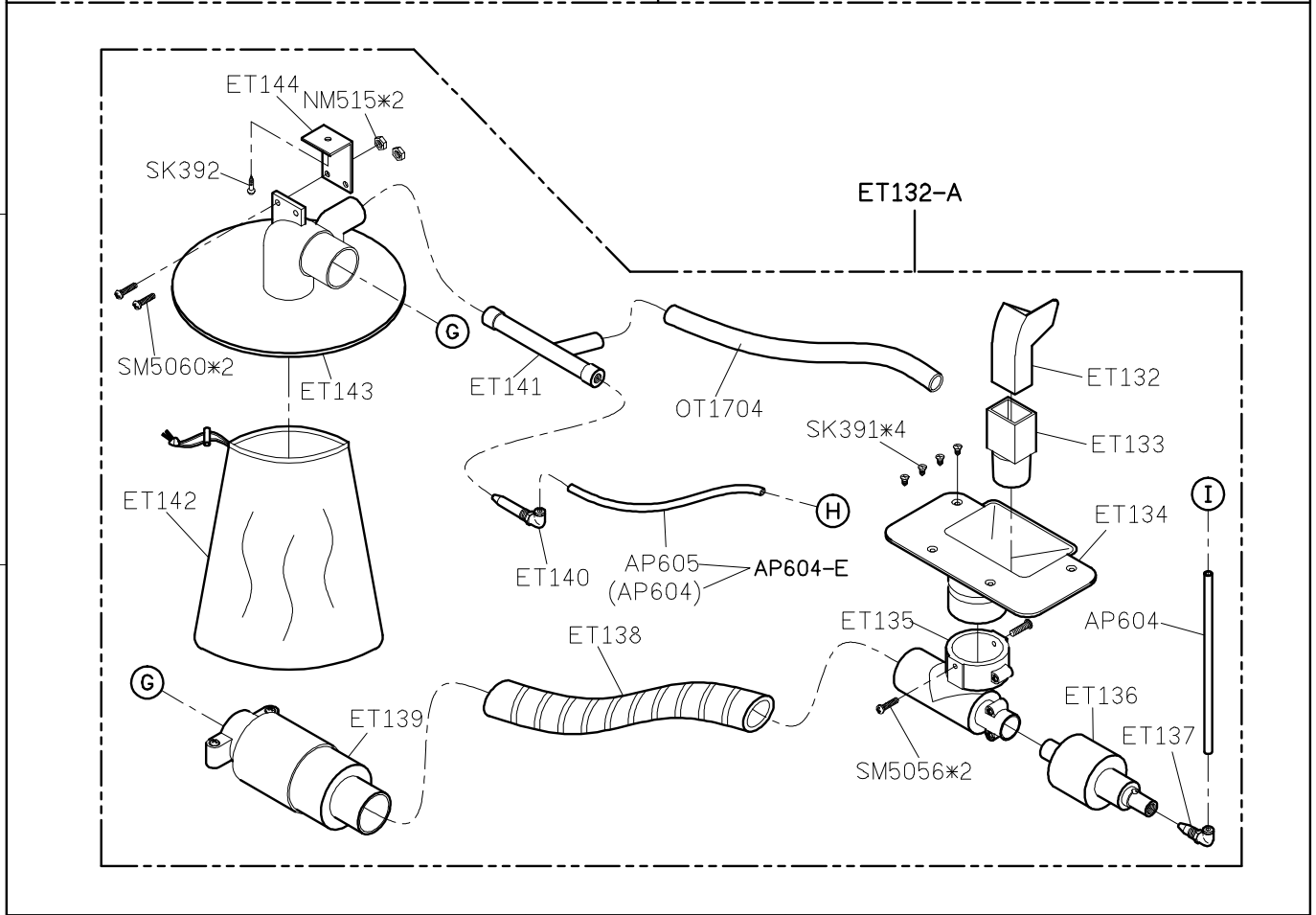
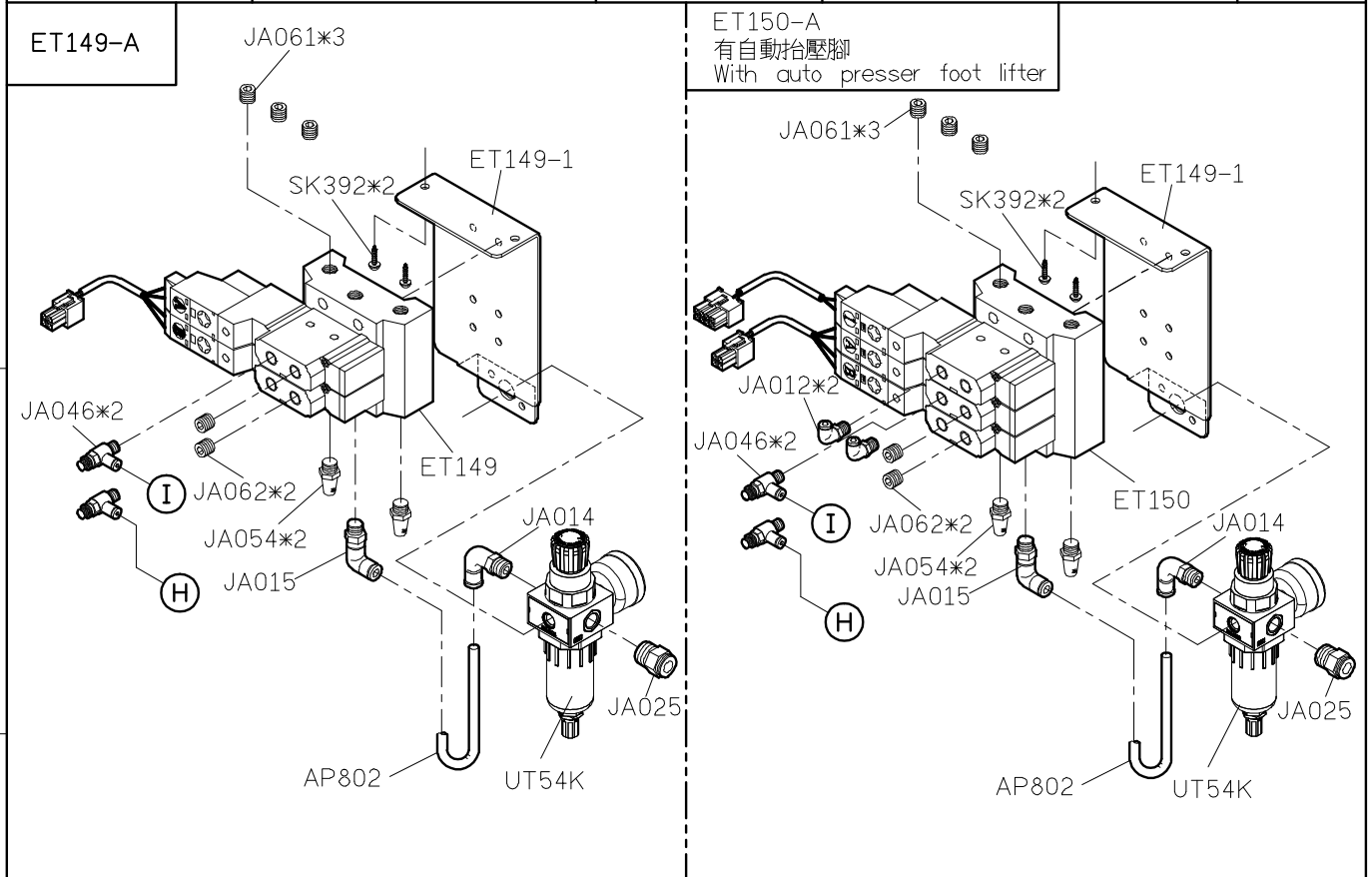
A
B
C
D
E



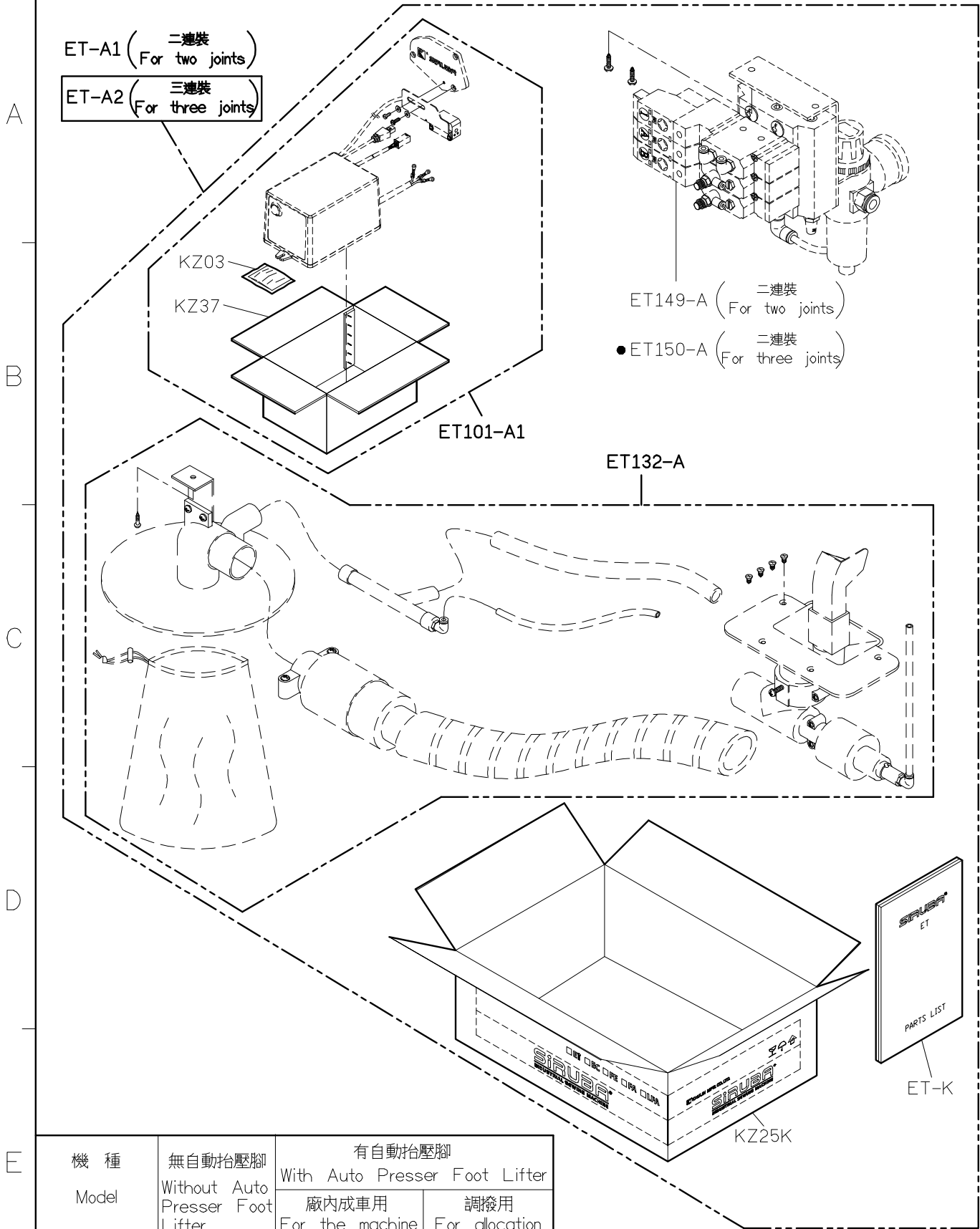
SIRUBA PARTS LIST	Series	Parts Group	Subclass / Remark	Page
	700K/700KD 988/988D	ET-K	# : Use for 700K/988	1/3
				Date
				2012/12/18



SIRUBA PARTS LIST	Series	Parts Group	Subclass / Remark	Page
	700K/700KD	ET-K		2/3
	988/988D		Date	
			2012/12/18	



SIRUBA PARTS LIST	Series	Parts Group	Subclass / Remark	Page
	700K/700KD 988/988D	ET-K		3/3
				Date
				2012/12/18



機種 Model	無自動拾壓腳 Without Auto Presser Foot Lifter	有自動拾壓腳 With Auto Presser Foot Lifter	
		廠內成車用 For the machine	調撥用 For allocation
700K/988	ET-A1	ET-A2	ET-A2-K
700KD/988D	ET-A1	ET-A2	ET-A2-KD

1

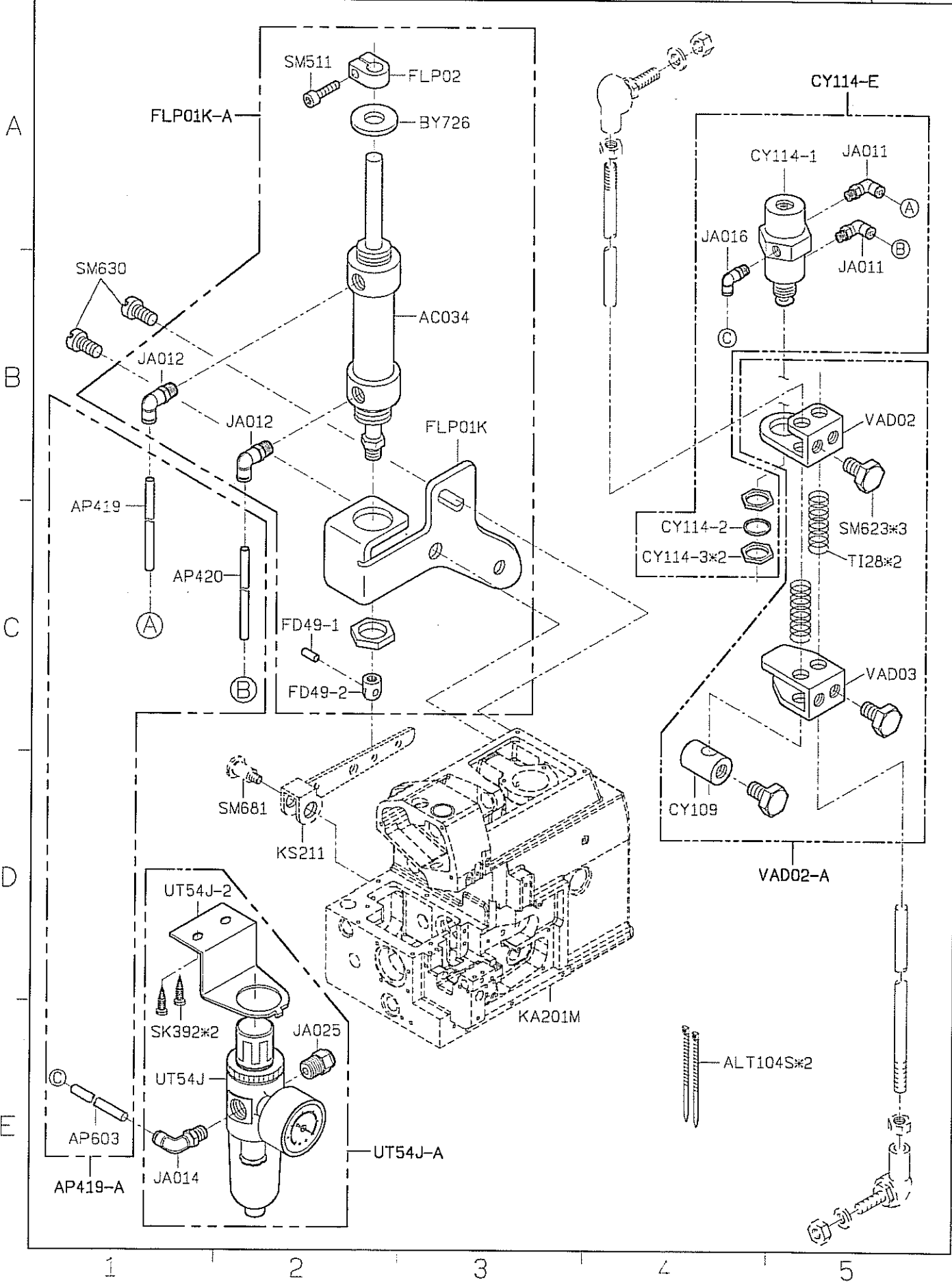
2

3

4

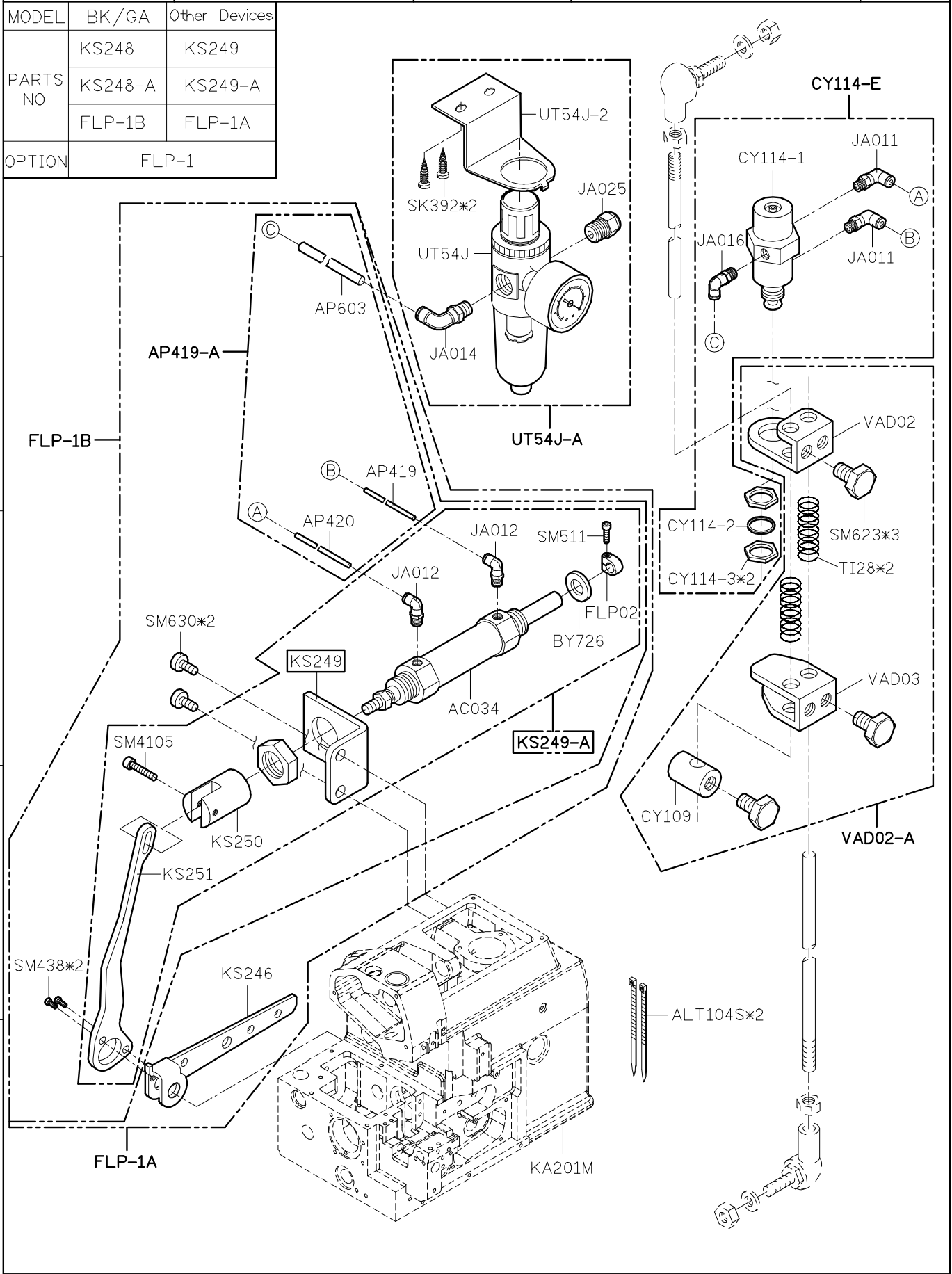
5

SIRUBA PARTS LIST	Series	Parts Group	Subclass / Remark	Page
	700K/700KD	FLP	Use for 700K/988 only	1/1
	988/988D			Date
				2013/07/15



SIRUBA PARTS LIST	Series	Parts Group	Subclass Remark	Page
	700K/700KD 988/988D	FLP-1	Use for 700KD/988D only	1/1
				Date
				2012/12/18

MODEL	BK/GA	Other Devices
	KS248	KS249
PARTS NO	KS248-A	KS249-A
	FLP-1B	FLP-1A
OPTION	FLP-1	



SIRUBA
PARTS LIST

Series
700K/700KD
988/988D

Parts Group
GA-K

Subclass / Remark

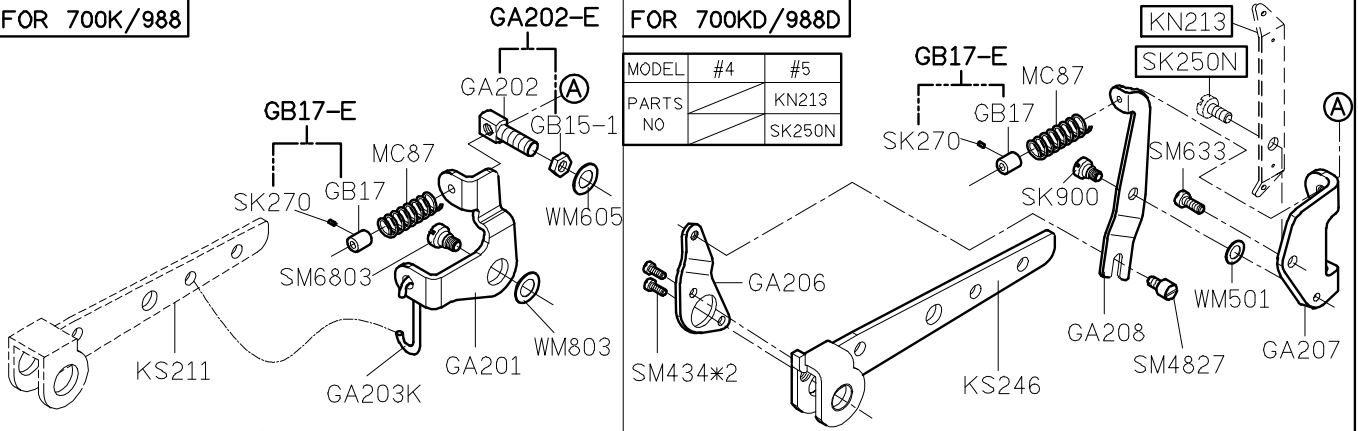
Page
1/1
Date
2012/12/18

FOR 700K/988

GA202-E

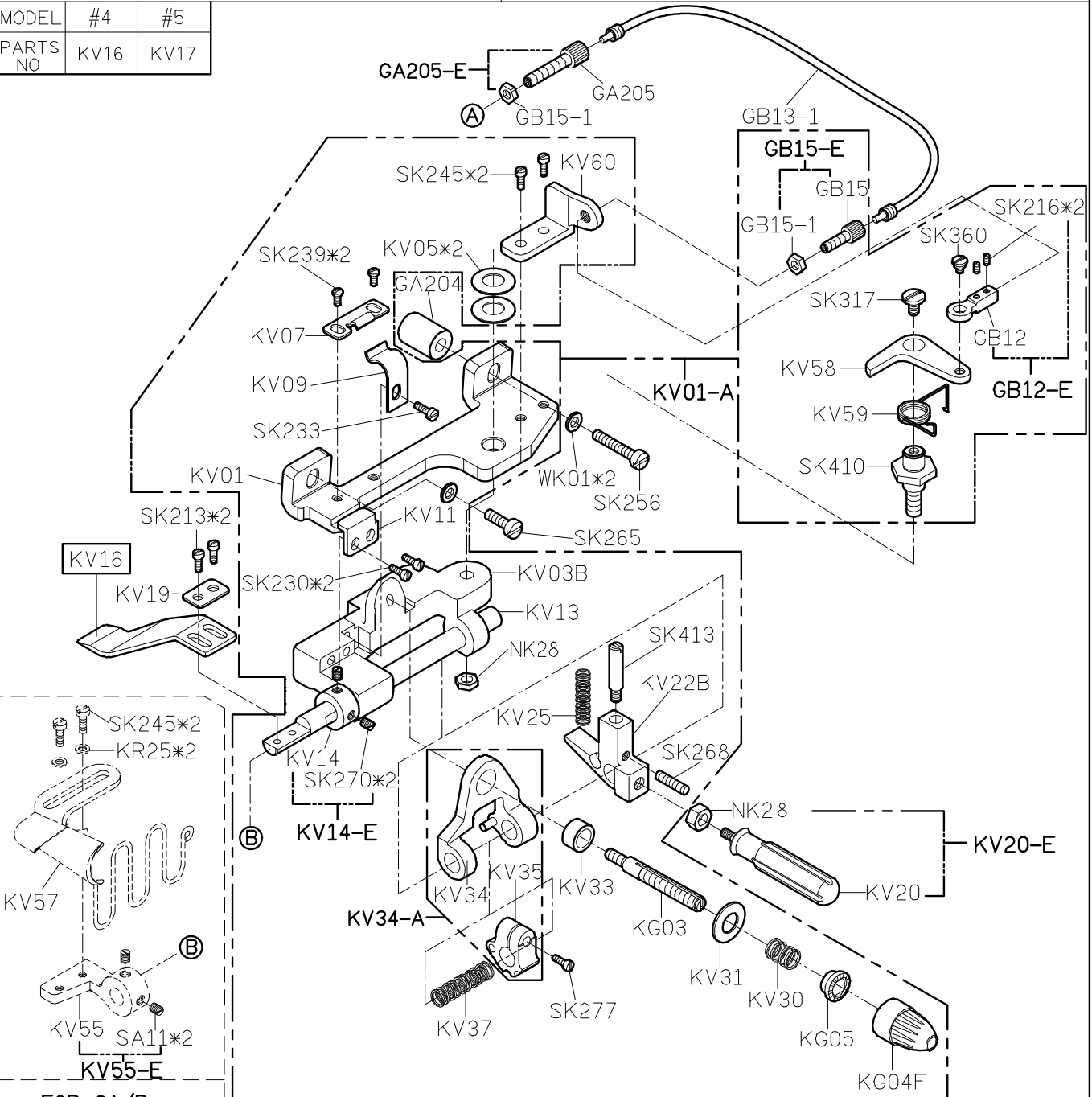
FOR 700KD/988D

MODEL	#4	#5
PARTS NO		KN213 SK250N



MODEL	#4	#5
PARTS NO	KV16	KV17

GA205-E
GA205
GB15-1



FOR GA/P

1

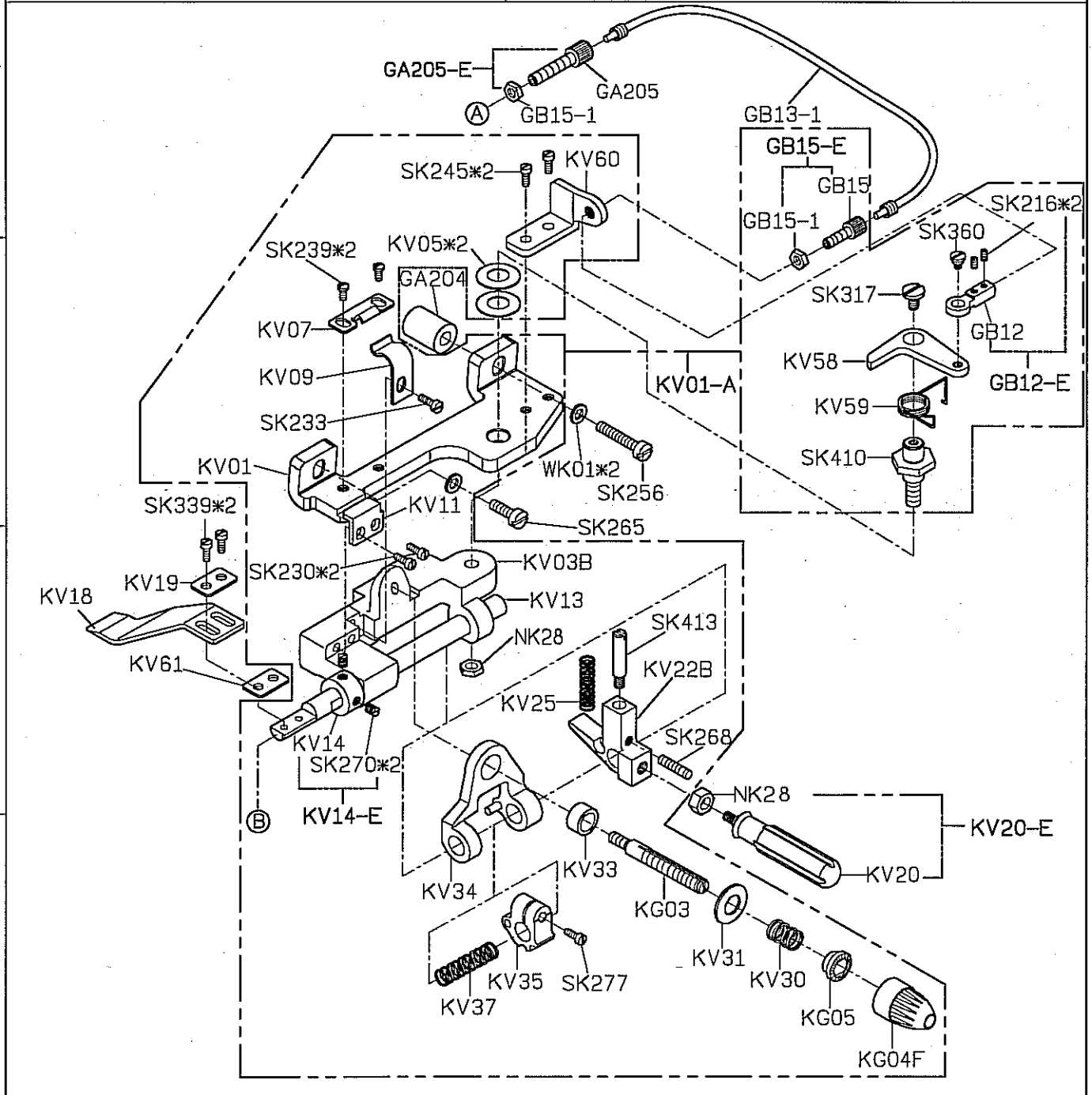
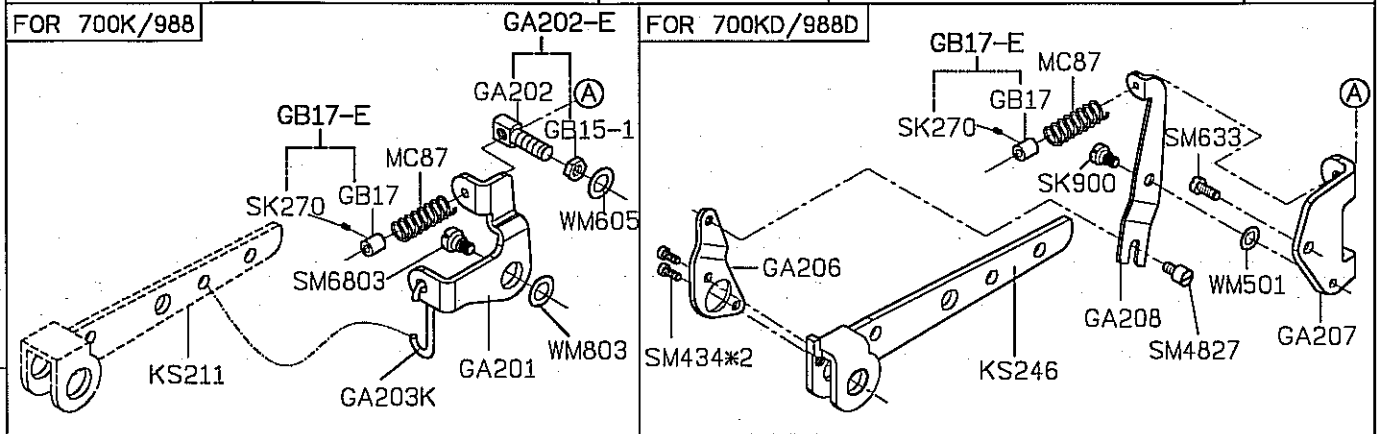
2

3

4

5

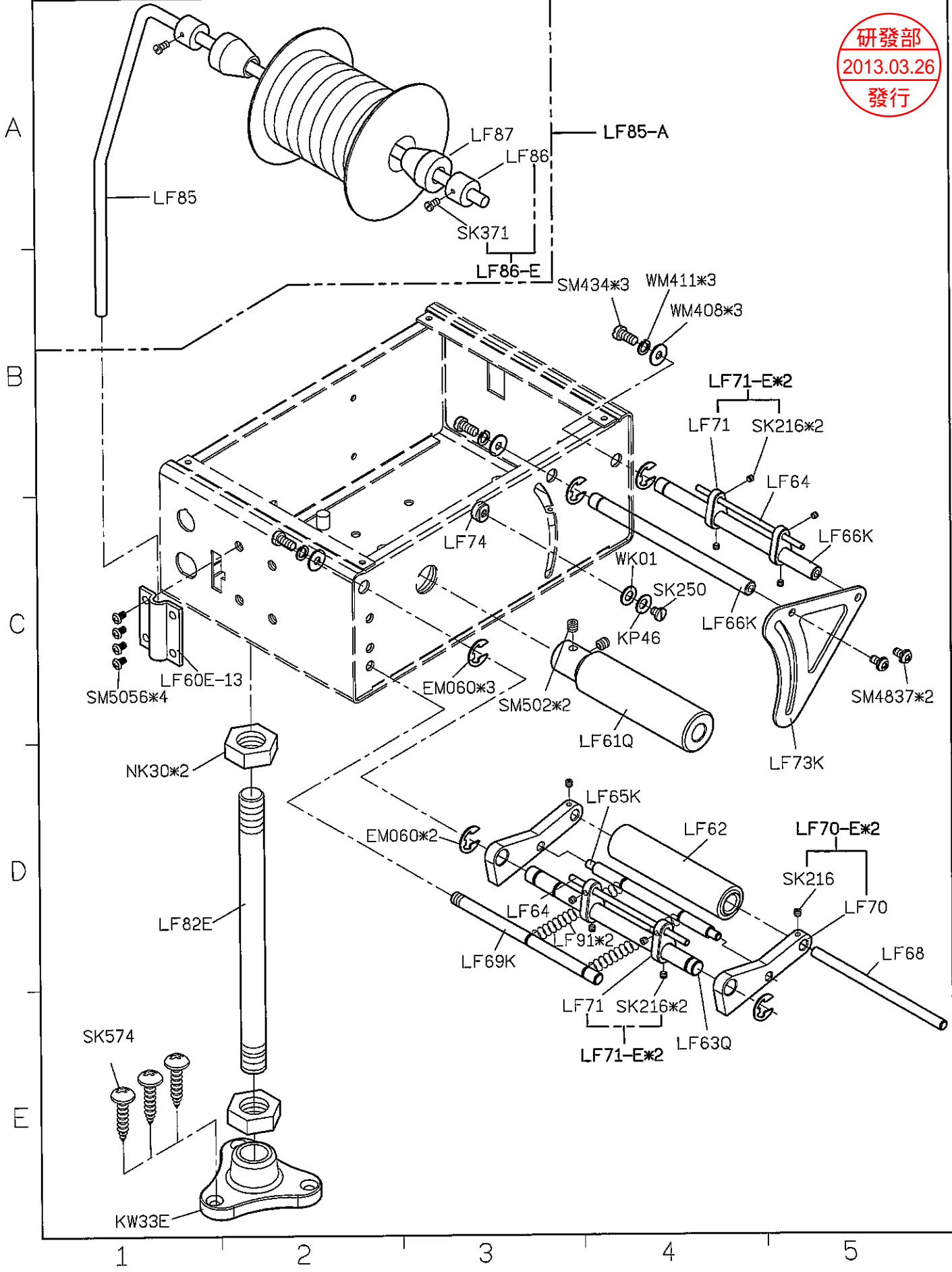
SIRUBA PARTS LIST	Series	Parts Group	Subclass / Remark	Page
	700K/700KD	GAL-K		1/1
	988/988D		Date	
			2013/03/18	



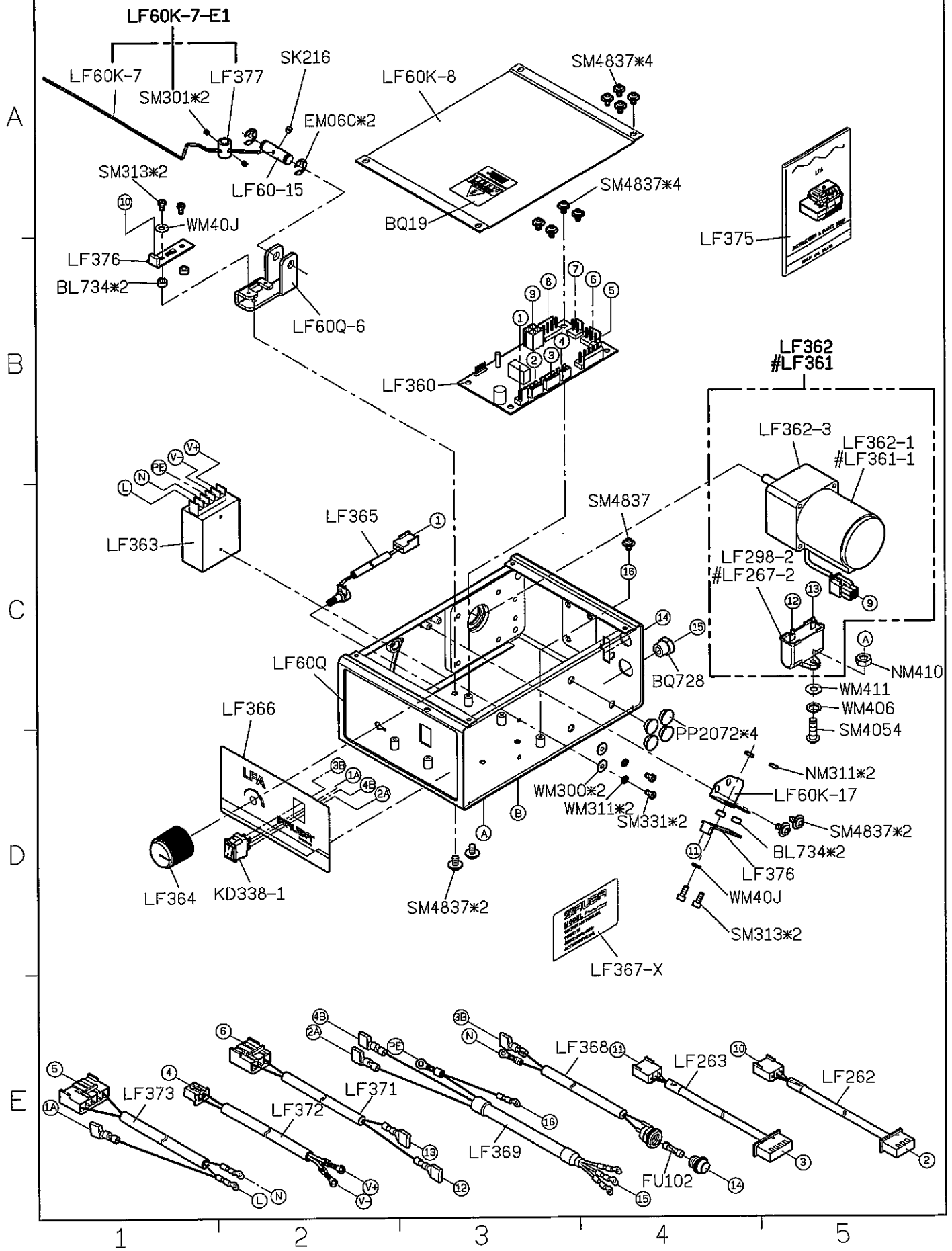
1 2 3 4 5

SIRUBA PARTS LIST	Series	Parts Group	Subclass / Remark	Page
	700K/700KD 988/988D	LFA		1/3
				Date 2013/03/25

研發部
2013.03.26
發行



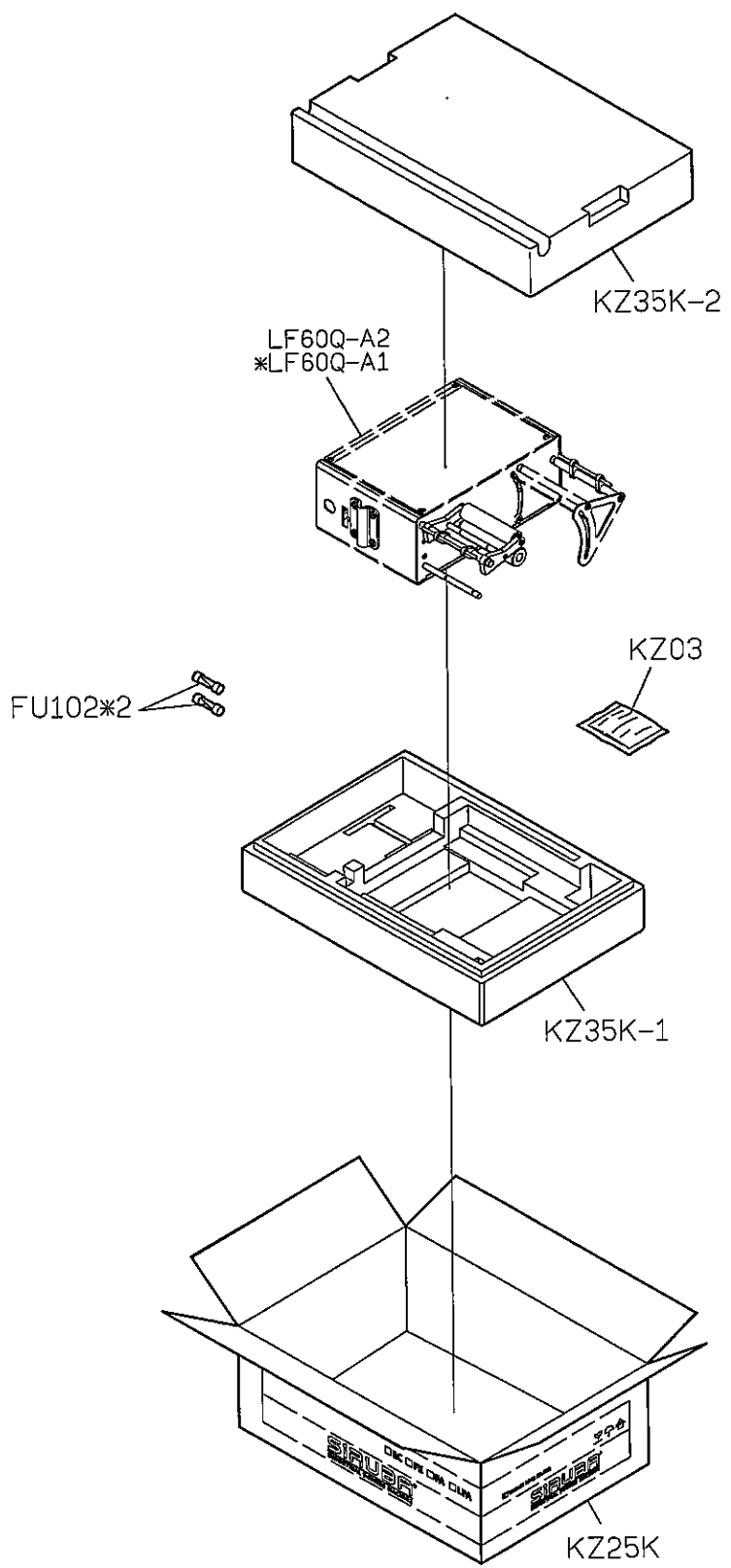
SIRUBA PARTS LIST	Series	Parts Group	Subclass / Remark	Page
	700K/700KD 988/988D	LFA	#: Use for 110V	2/3
				Date
				2013/07/01



SIRUBA PARTS LIST	Series	Parts Group	Subclass / Remark	Page
	700K/700KD	LFA		3/3
	988/988D			Date
				2013/03/25

研發部
 2013.03.26
 發行

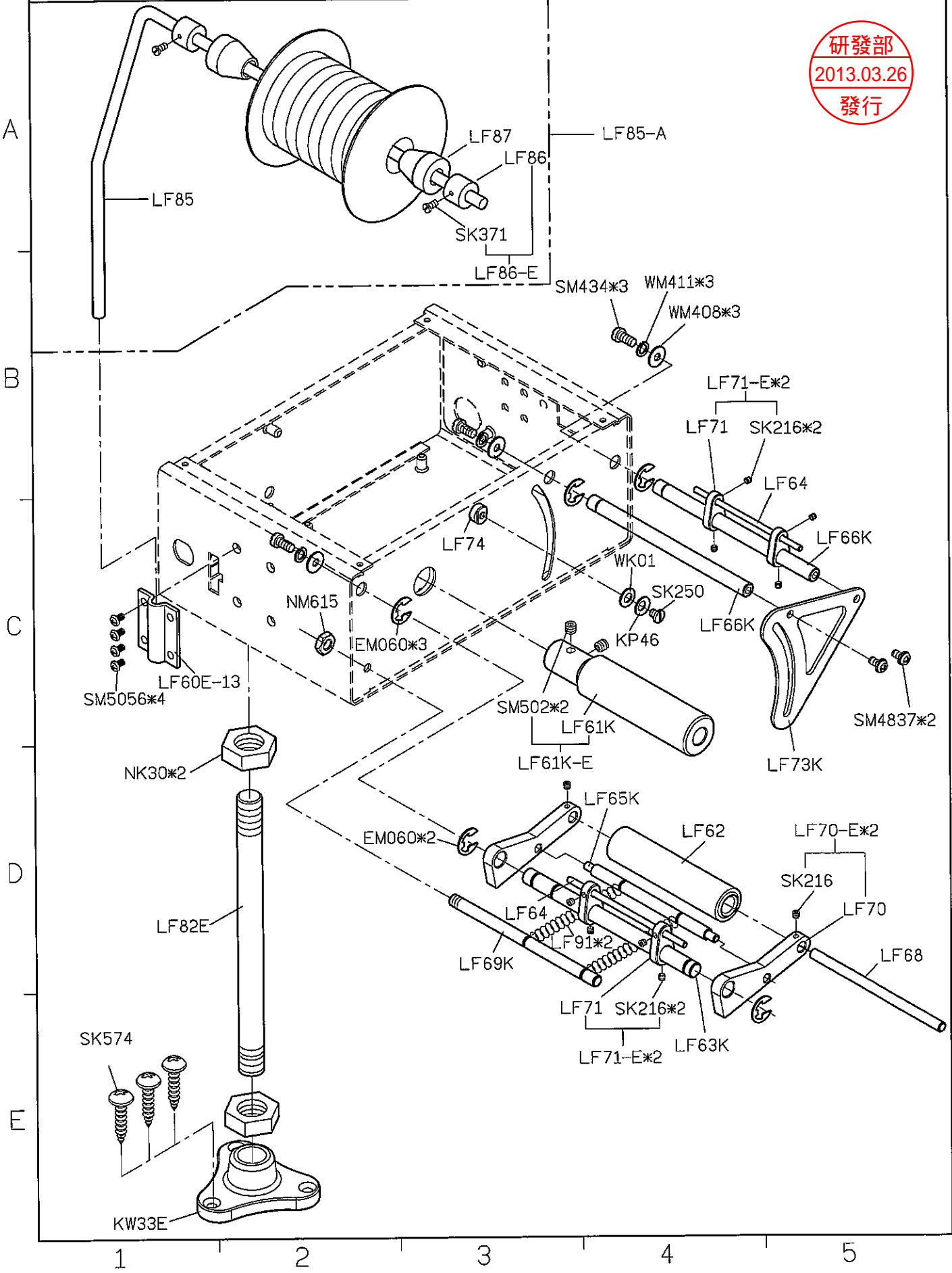
A
B
C
D
E



1 2 3 4 5

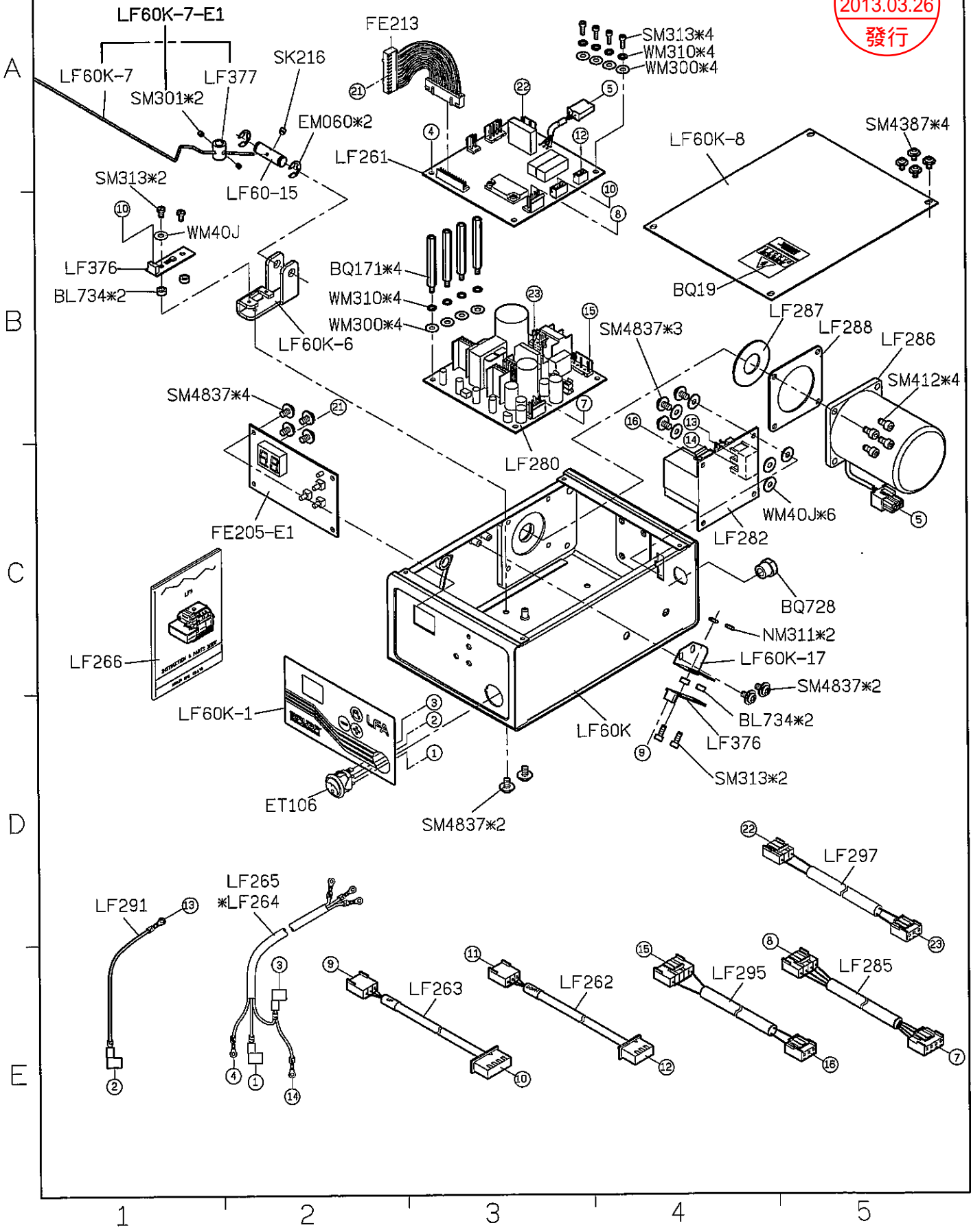
SIRUBA PARTS LIST	Series	Parts Group	Subclass / Remark	Page
	700K/700KD 988/988D	LF FAK		1/3
				Date 2013/03/25

研發部
 2013.03.26
 發行



SIRUBA PARTS LIST	Series	Parts Group	Subclass / Remark	Page
	700K/700KD 988/988D	LFAK	*:Use for LFRK-D1/LFRK-D2	2/3
				Date 2013/03/25

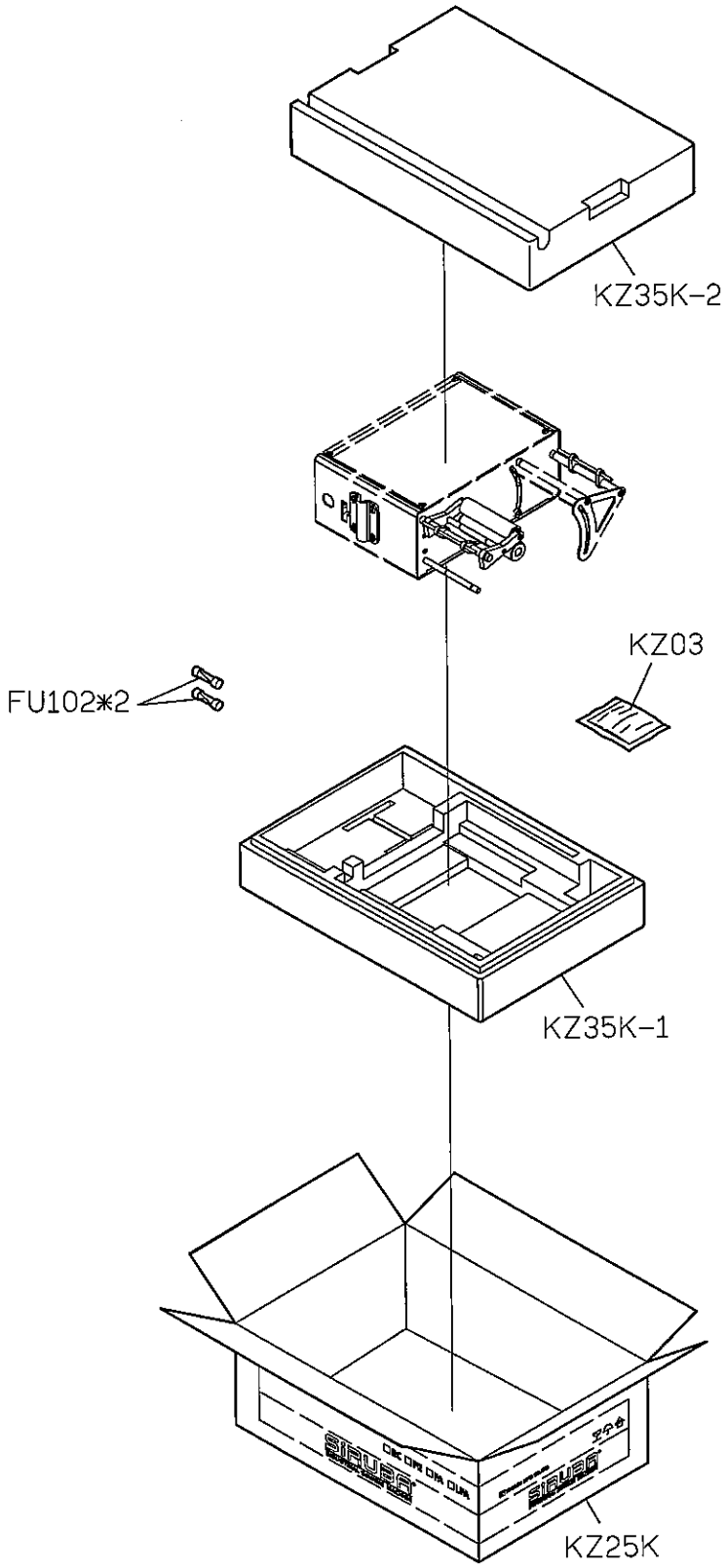
研發部
 2013.03.26
 發行



SIRUBA PARTS LIST	Series	Parts Group	Subclass / Remark	Page
	700K/700KD 988/988D	LFAK		3/3
				Date
				2013/03/25

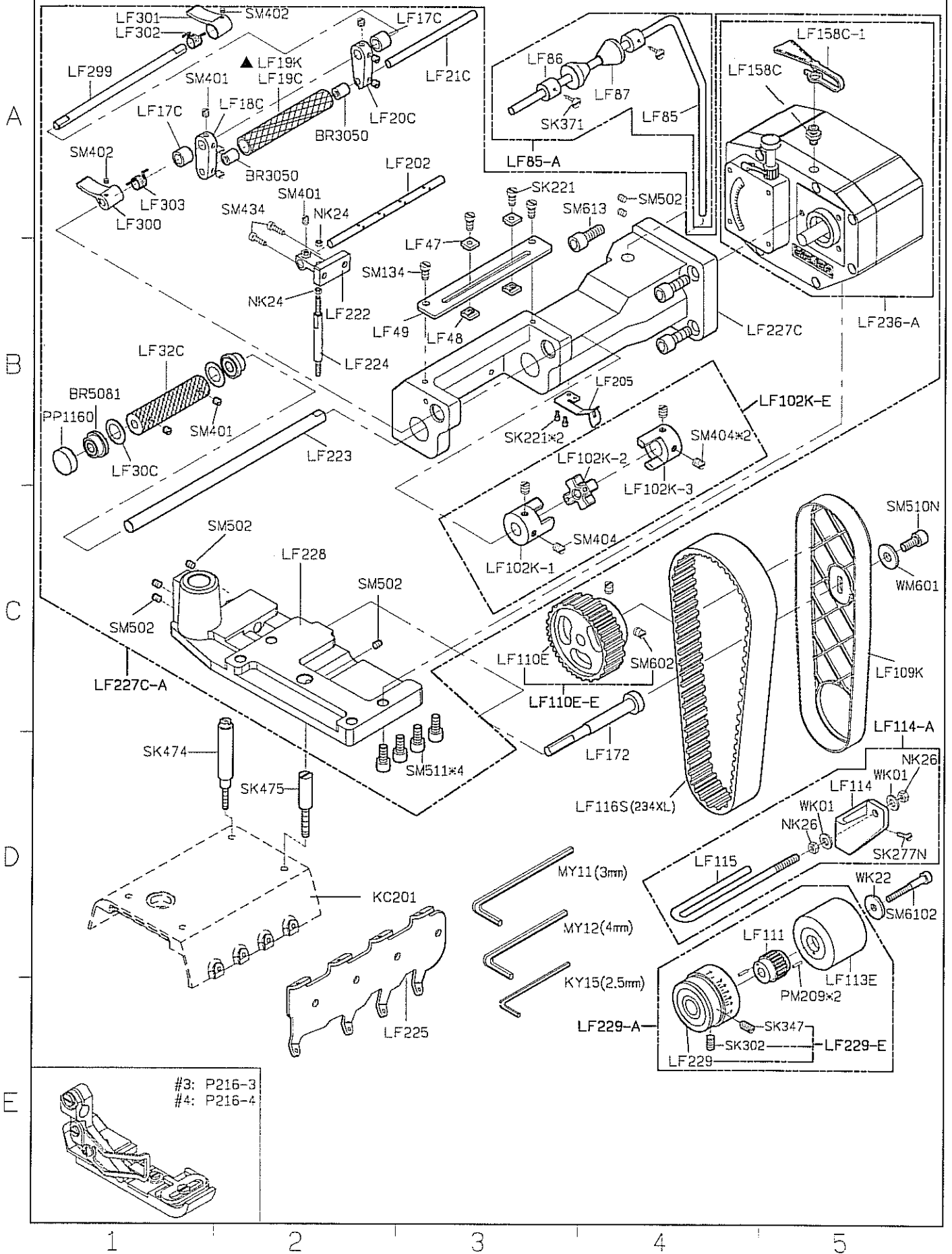
研發部
 2013.03.26
 發行

A
B
C
D
E



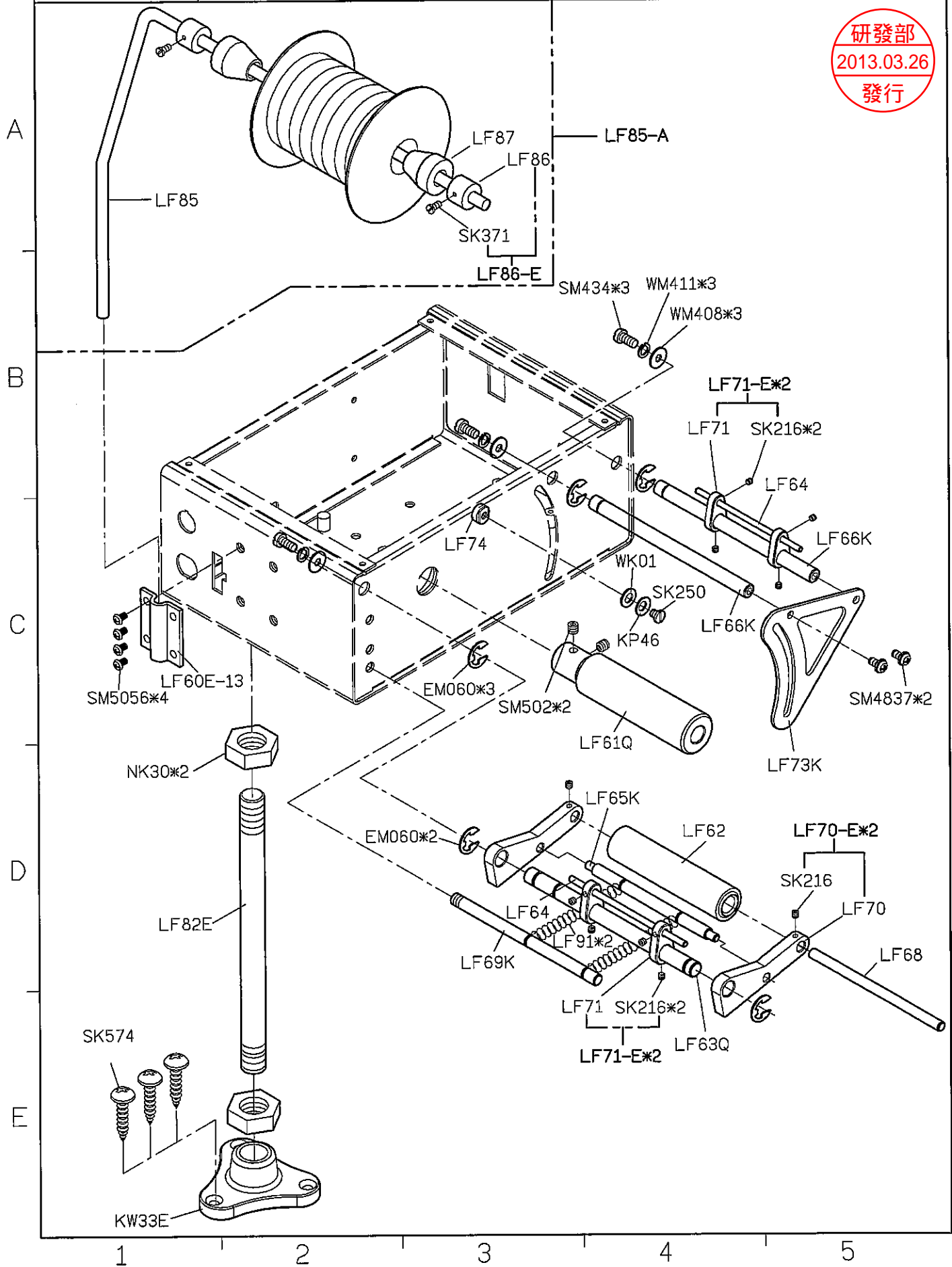
1 2 3 4 5

SIRUBA PARTS LIST	Series	Parts Group	Subclass / Remark	Page
	700K/700KD 988/988D	LFC-3	▲ 橡膠輪適用薄鬆緊帶 Rubber puller for thin elastic tape	1/1
			Date	
				2013/06/04

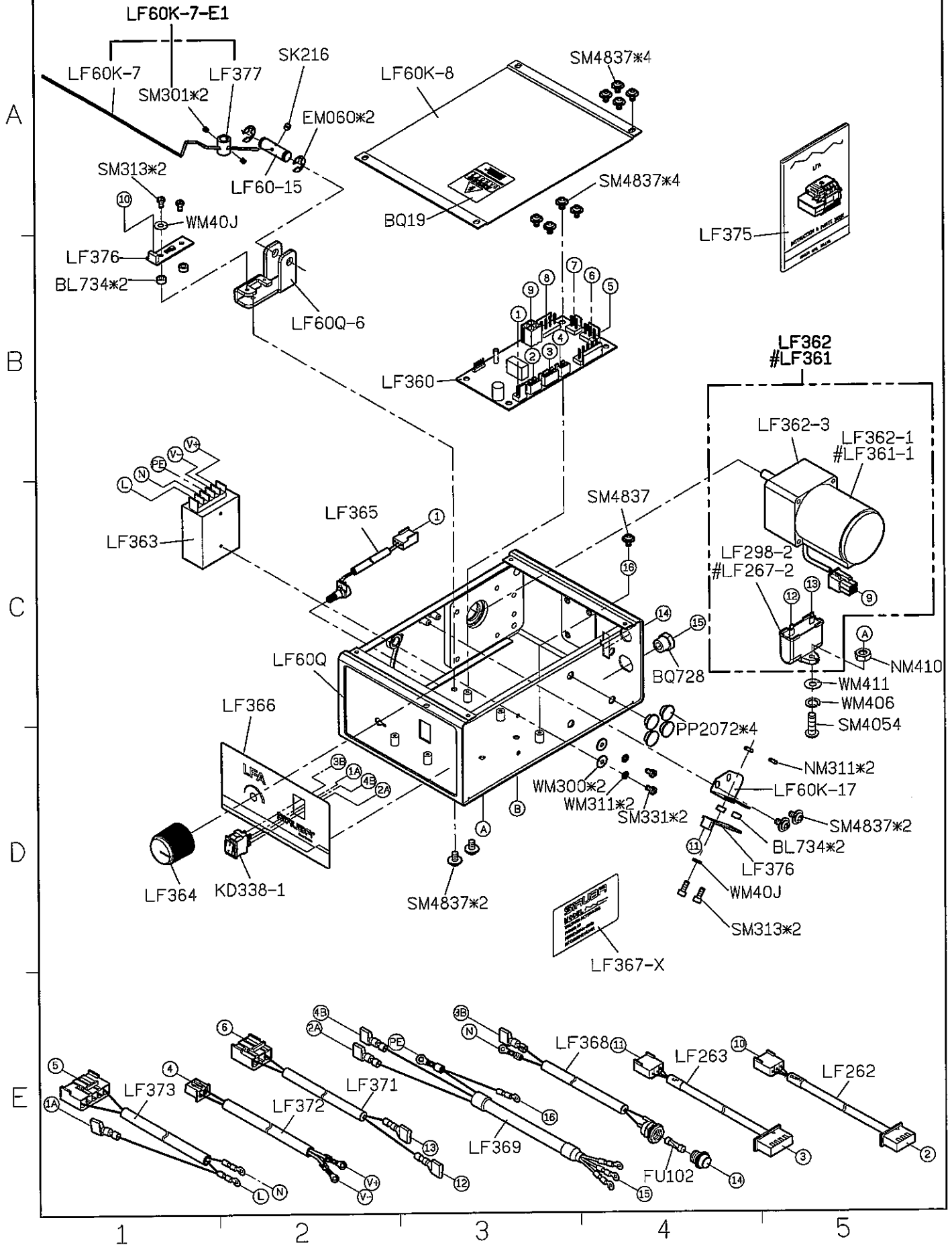


SIRUBA PARTS LIST	Series	Parts Group	Subclass / Remark	Page
	700K/700KD 988/988D	LFR	LF7K-R1 Use for Single Phase AC 110V	1/4
			LF7K-R2 Use for Single Phase AC 220V	Date
				2013/03/25

研發部
 2013.03.26
 發行



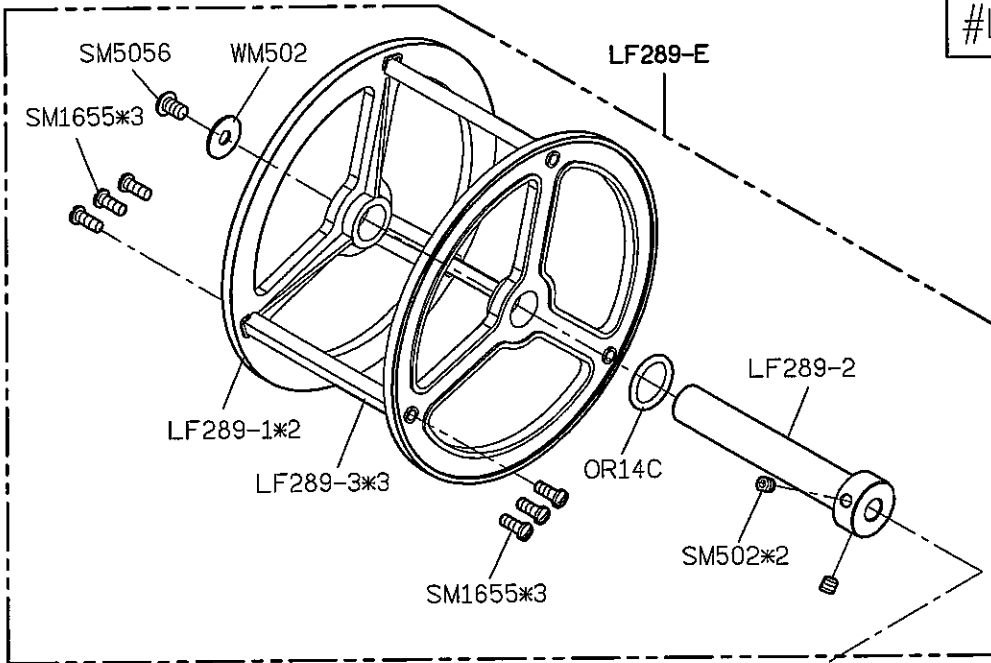
SIRUBA PARTS LIST	Series	Parts Group	Subclass / Remark	Page
	700K/700KD 988/988D	LFR	#: Use for 110V	2/4
				Date
				2013/07/01



SIRUBA PARTS LIST	Series	Parts Group	Subclass / Remark	Page
	700K/700KD 988/988D	LFR	#:Use for 110V	3/4
				Date
				2013/07/01

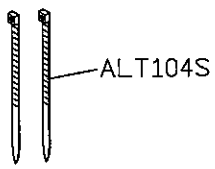
LF290-A2(220V)
#LF290-A1(110V)

A

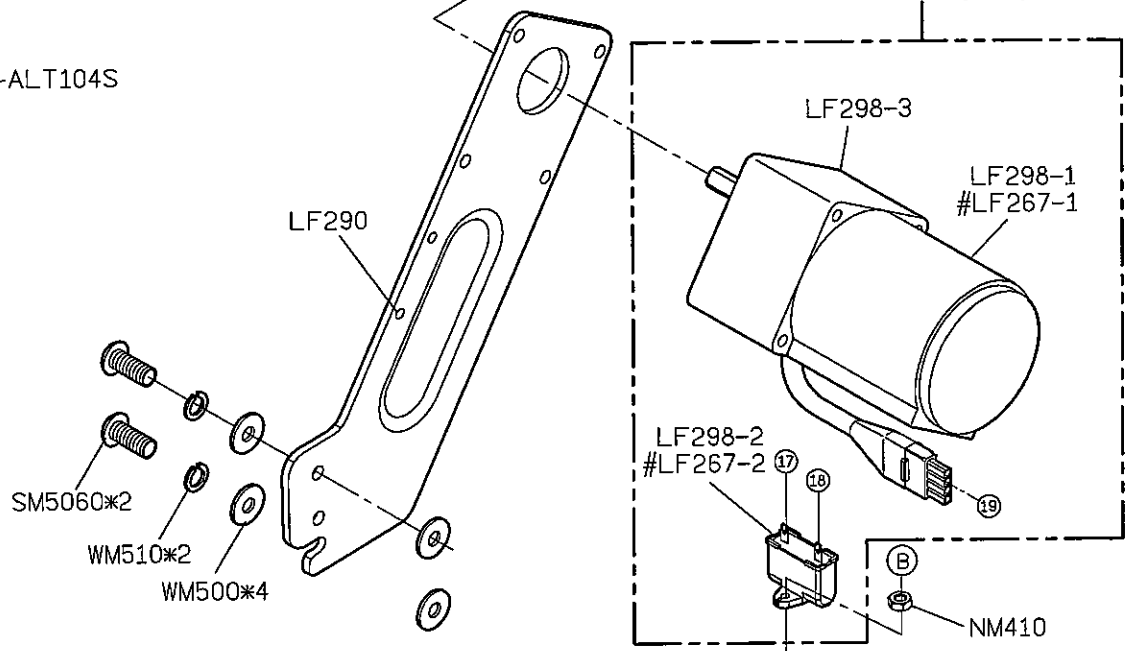


B

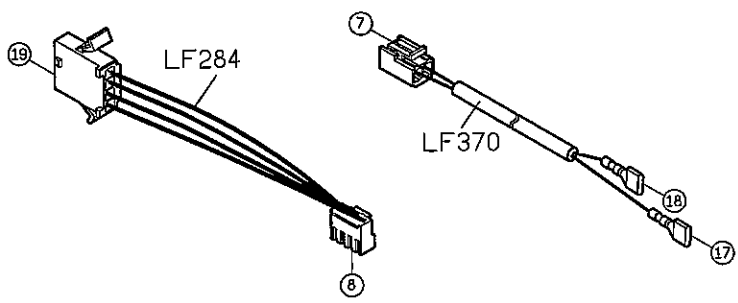
C



D



E

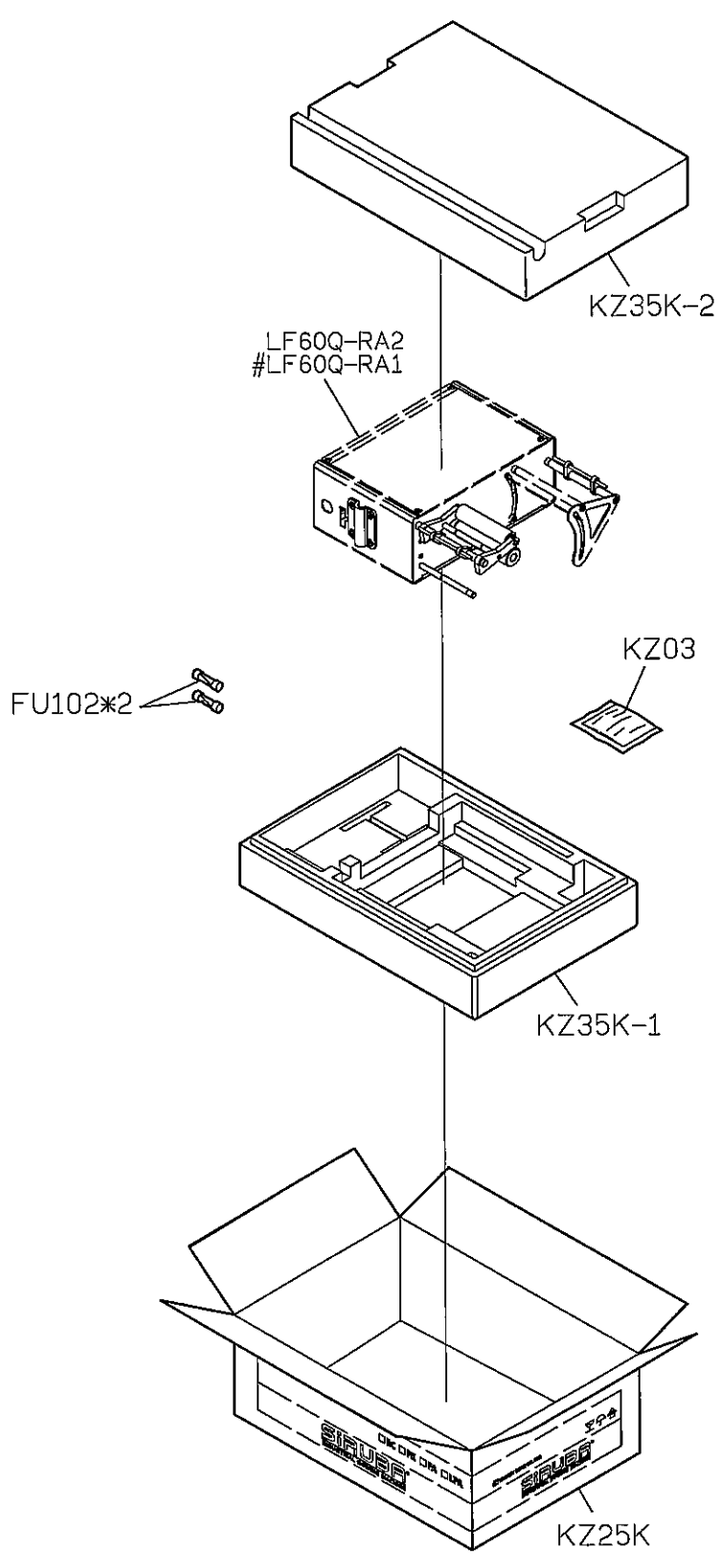


SIRUBA PARTS LIST	Series	Parts Group	Subclass / Remark	Page
	700K/700KD 988/988D	LFR	#:Use for 110V	4/4
				Date 2013/03/25

研發部
 2013.03.26
 發行

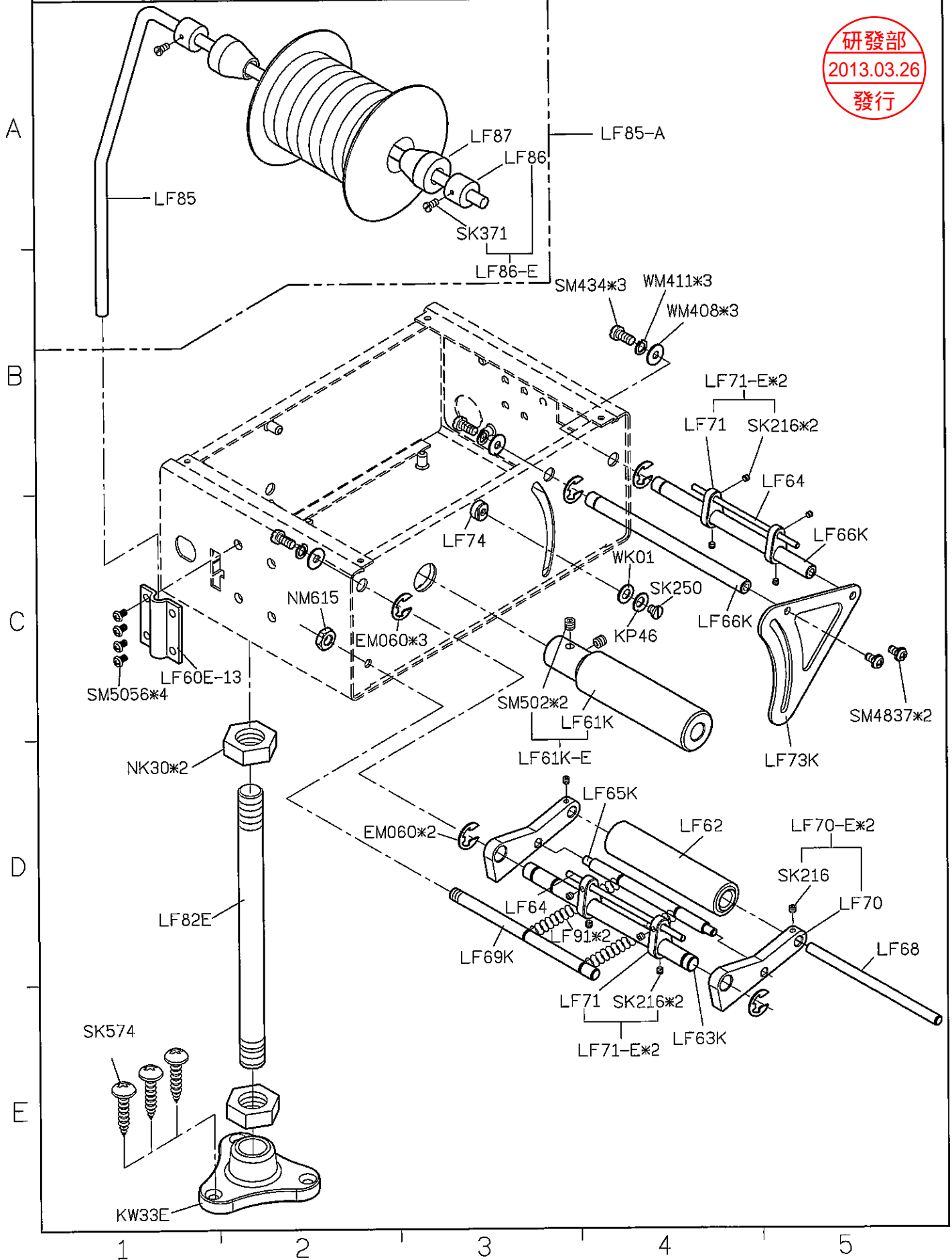
A
B
C
D
E

1 2 3 4 5



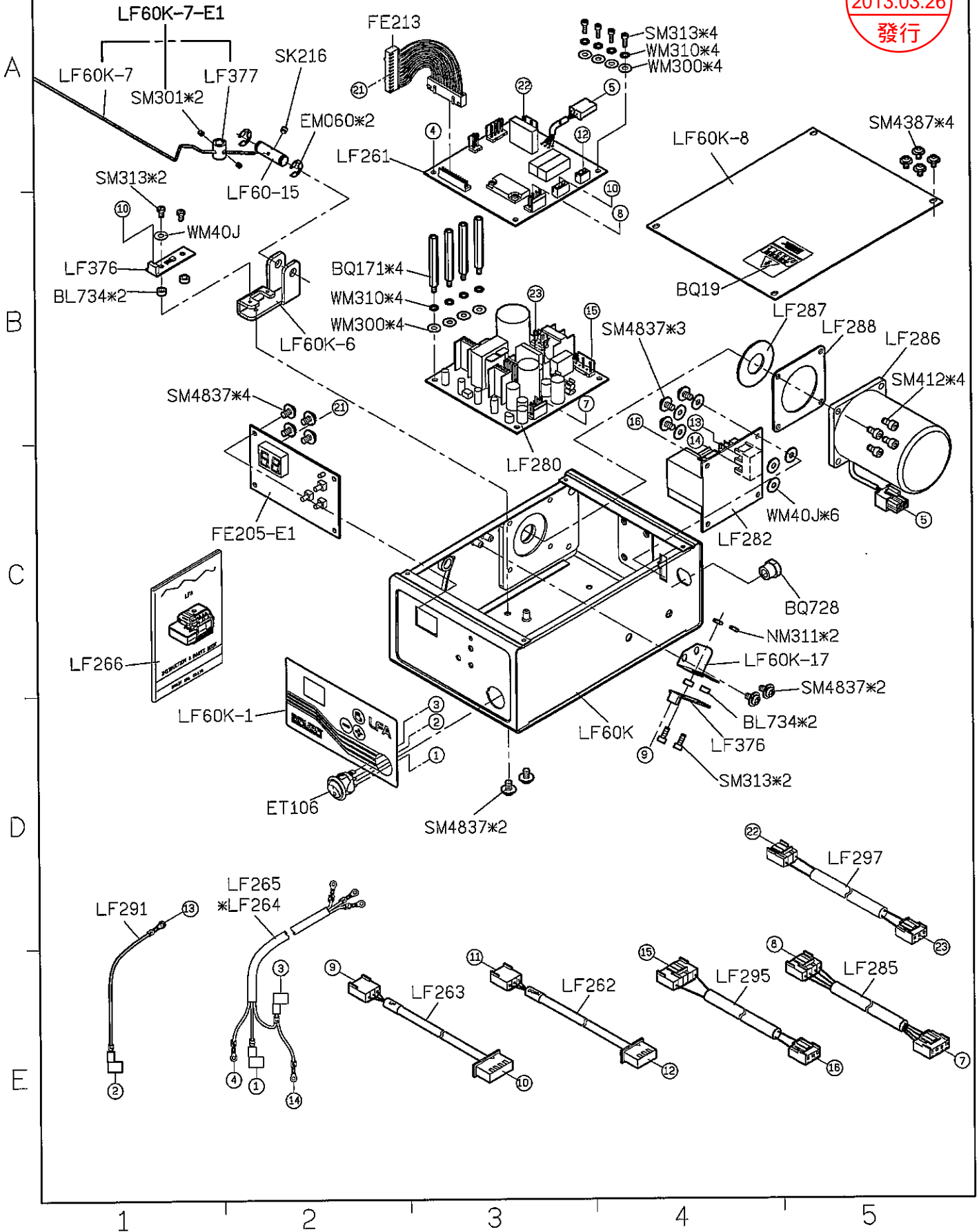
SIRUBA PARTS LIST	Series	Parts Group	Subclass / Remark	Page
	700K/700KD 988/988D	LFRK		1/4
				Date 2013/03/25

研發部
 2013.03.26
 發行



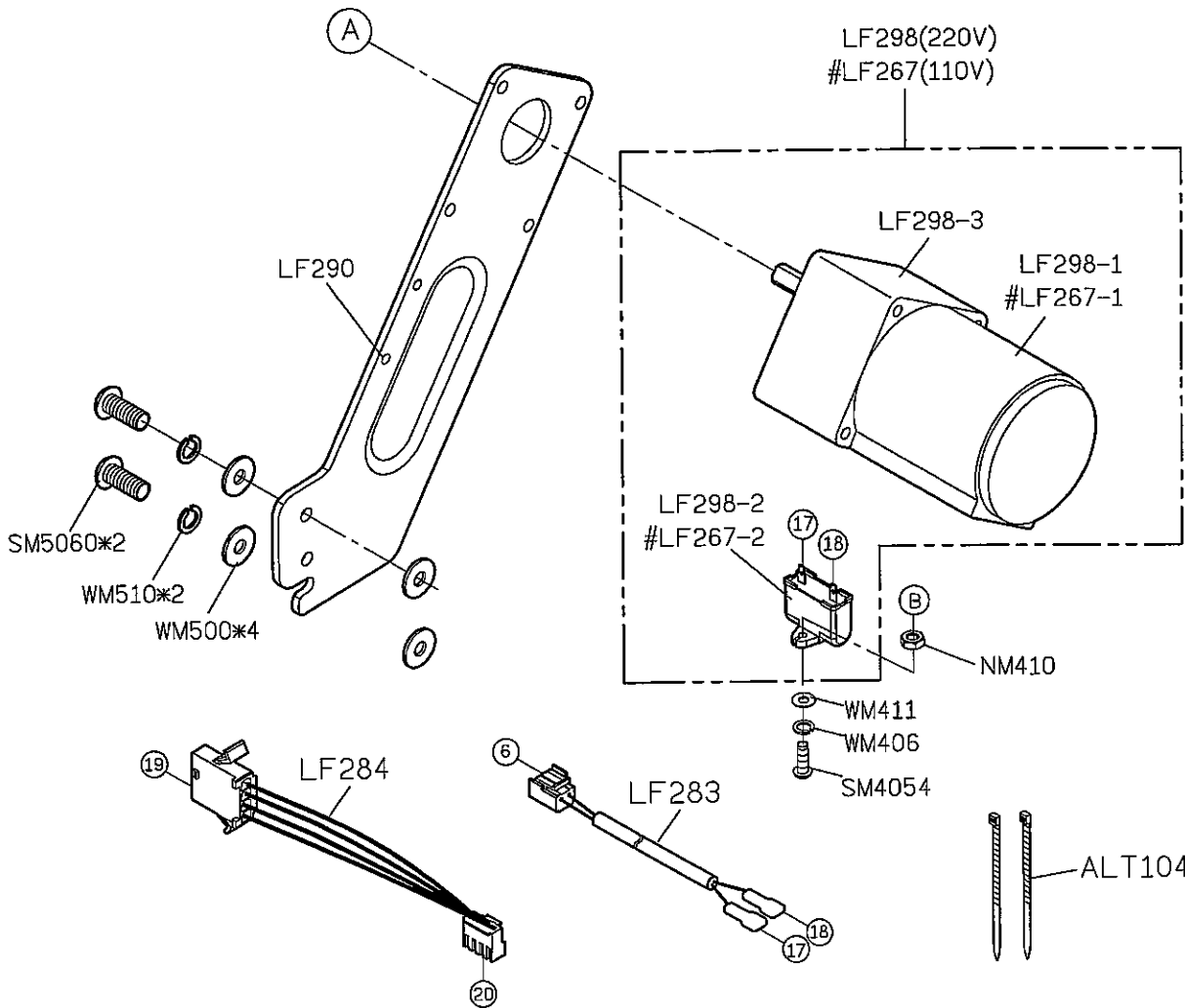
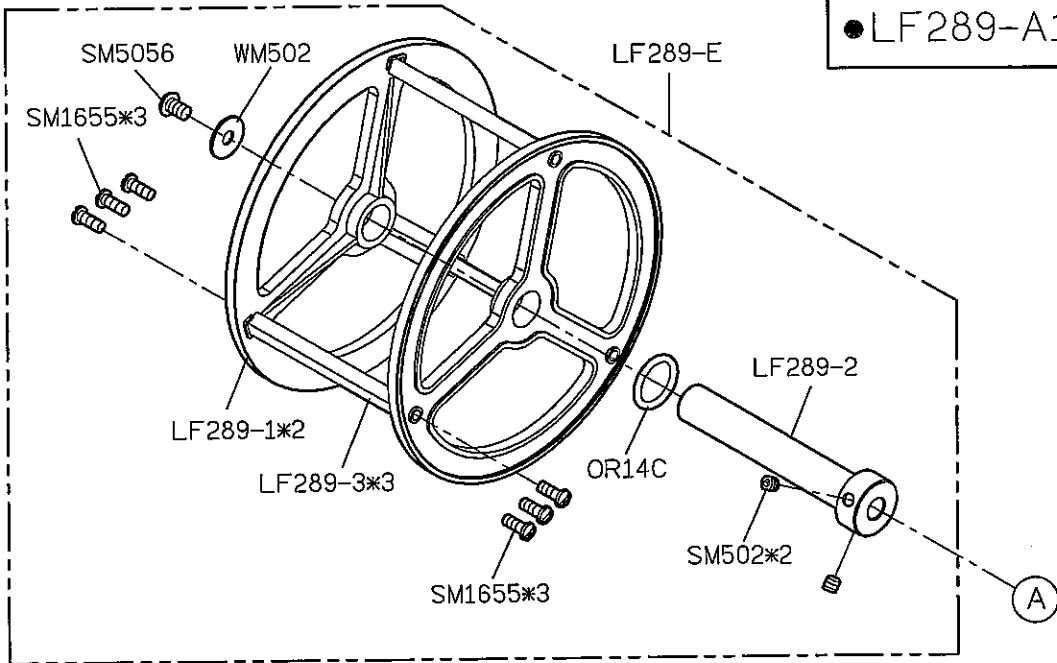
SiRUBA PARTS LIST	Series	Parts Group	Subclass / Remark	Page
	700K/700KD 988/988D	LFRK	*:Use for LFRK-D1/LFRK-D2	2/4
				Date 2013/03/25

研發部
 2013.03.26
 發行



SIRUBA PARTS LIST	Series	Parts Group	Subclass / Remark	Page
	700K/700KD 988/988D	LFRK	LFRK-R1/LFRK-D1 Use for Single Phase AC 110V LFRK-R2/LFRK-D2 Use for Single Phase AC 220V	3/4 Date 2013/07/01

LF289-A(220V)
● LF289-A1(110V)

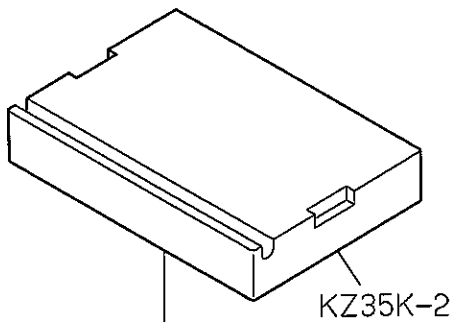


1 2 3 4 5

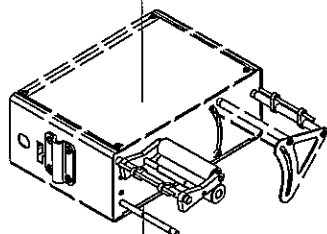
SIRUBA PARTS LIST	Series	Parts Group	Subclass / Remark	Page
	700K/700KD 988/988D	LFRK		4/4
				Date 2013/03/25

研發部
 2013.03.26
 發行

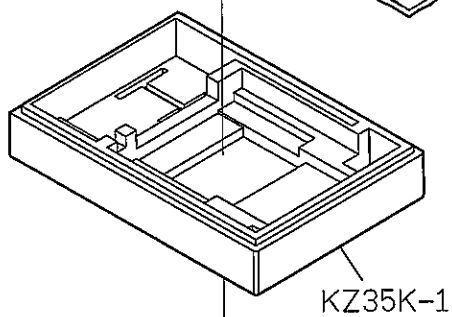
A



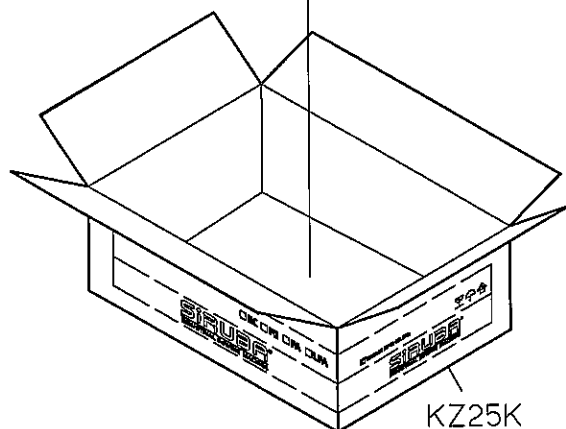
B



C



D



E

1

2

3

4

5

SIRUBA PARTS LIST	Series	Parts Group	Subclass / Remark	Page
	700K/700KD 988/988D	PS-K		1/1
			Date	
				2012/12/18

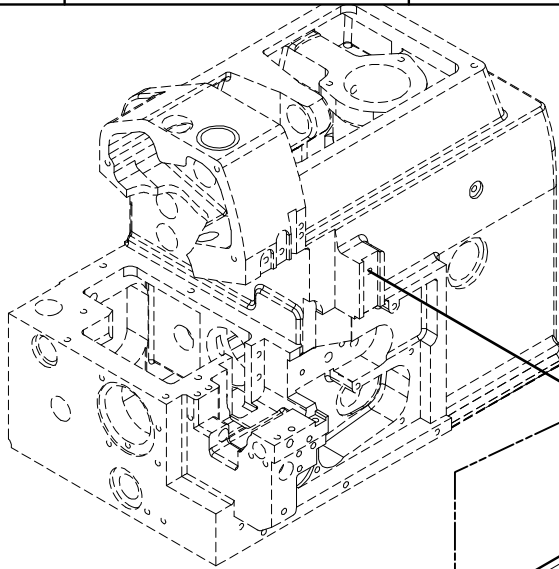
A

B

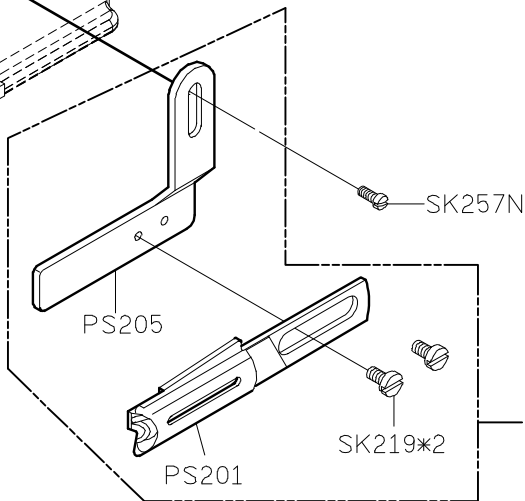
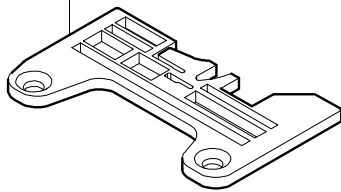
C

D

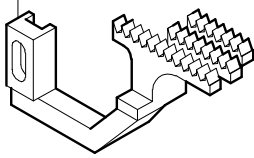
E



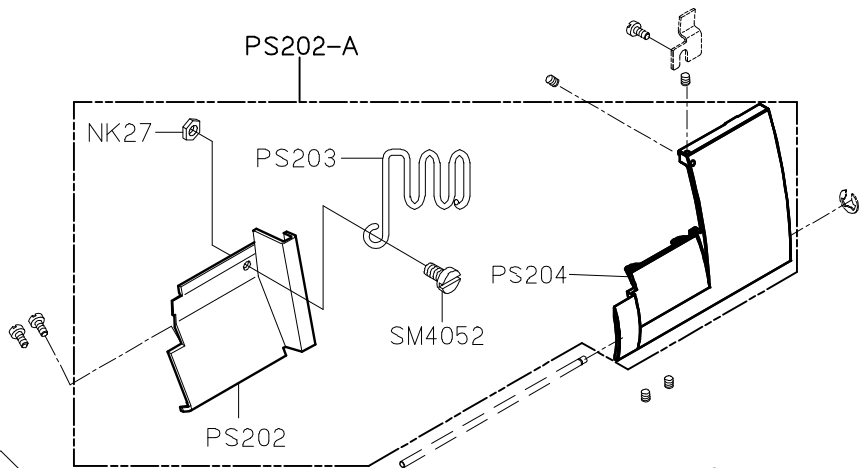
E227 for 3*5
E228 for 5*5



H214 for 3*5
H215 for 5*5



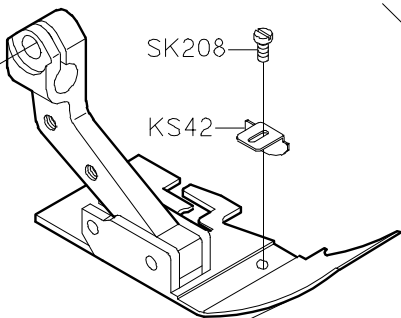
P504JS-A for 3*5
P502JS-A for 5*5



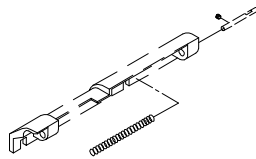
SK230

SK208

KS42



P504S for 3*5
P502S for 5*5



PS04

1

2

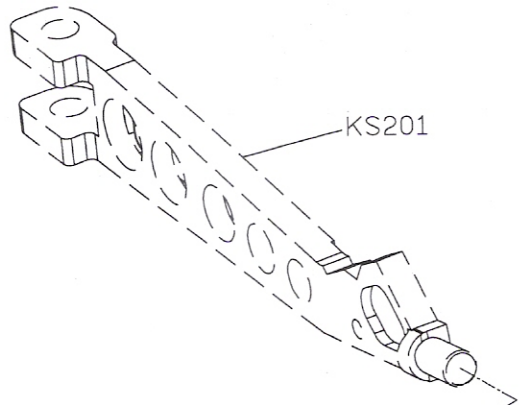
3

4

5

SIRUBA PARTS LIST	Series	Parts Group	Subclass Remark	Page
	700K/700Q	PZ-K		1/1
	988/988Q			Date
				2013/03/11

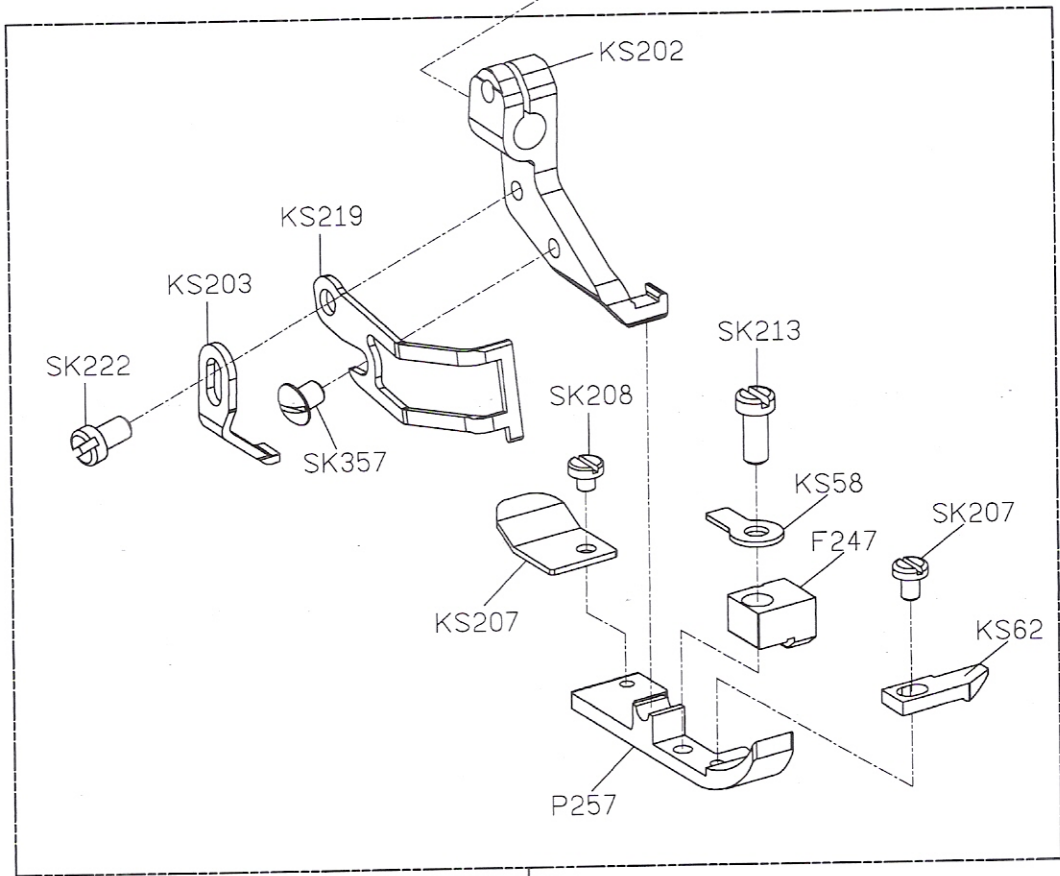
A



KS201

B

C



KS202

KS219

KS203

SK222

SK357

SK208

KS207

SK213

KS58

F247

SK207

KS62

P257

D

E

P257-A

1

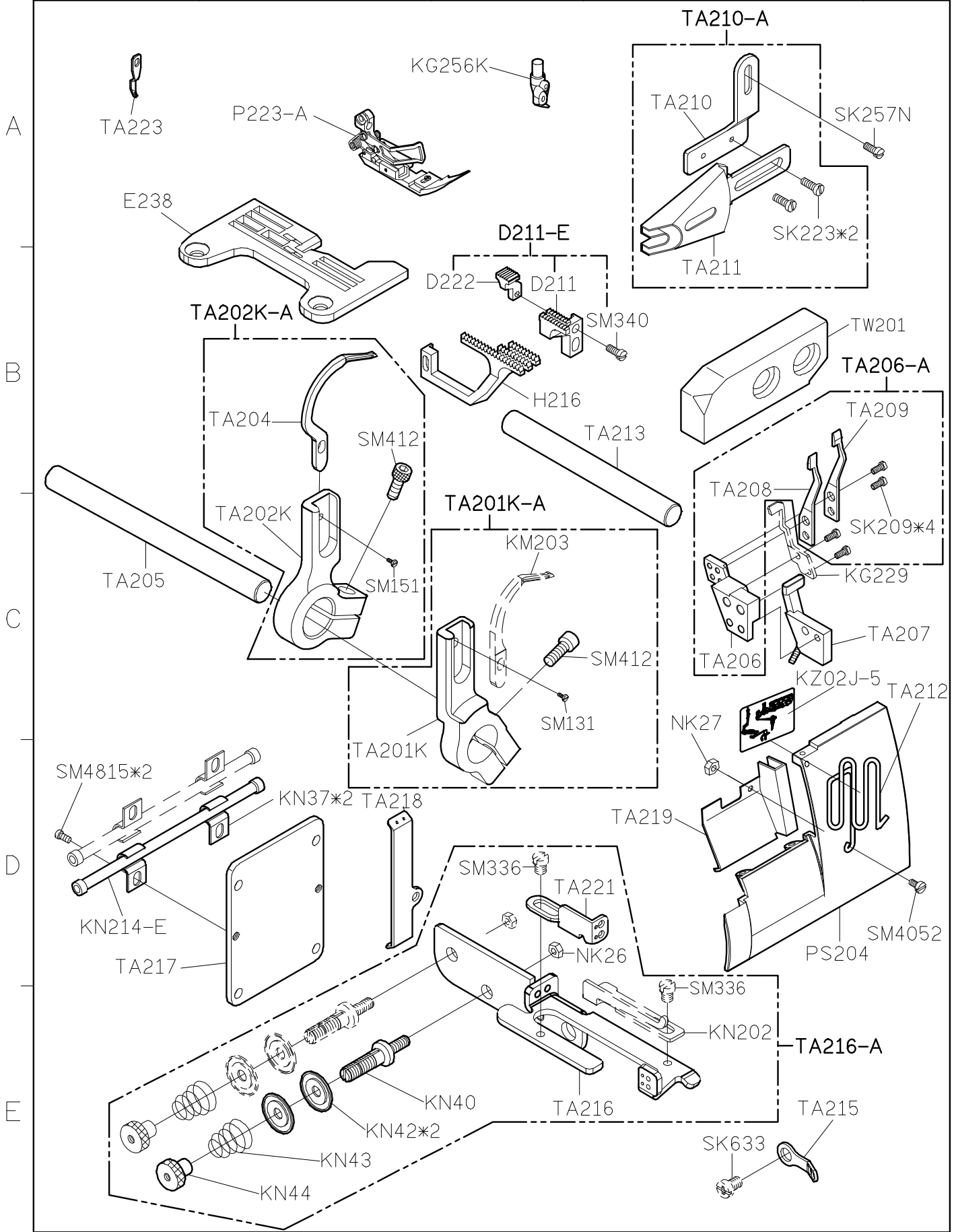
2

3

4

5

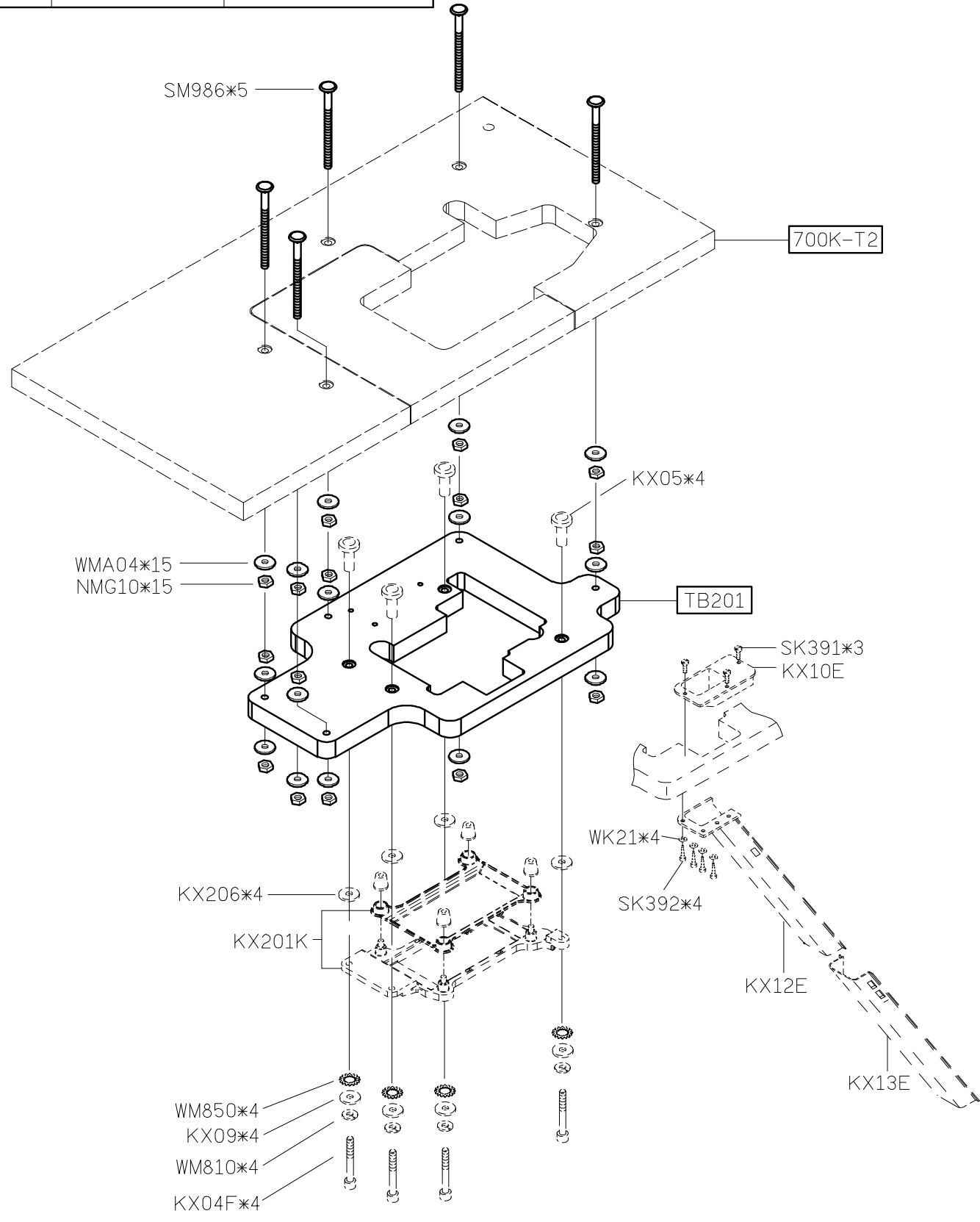
SIRUBA PARTS LIST	Series	Parts Group	Subclass / Remark	Page
	700K/700KD	TA-K		1/1
	988/988D			Date
				2012/12/18



SIRUBA PARTS LIST	Series		Parts Group	Subclass / Remark	Page
	700K/700KD 988/988D		TBK	TBK-1 for 700K/988 TBKD-1 for 700KD/988D	1/1
					Date
					2012/12/18

MODEL	TBK-1(700K/988用)	TBKD-1(700KD/988D用)
TBK	TB201	TB201D
TABLE	700K-T2	700KD-T2

A
B
C
D
E



SIRUBA PARTS LIST	Series	Parts Group	Subclass / Remark	Page
	700K/700KD	TG		1/1
	988/988D			Date
				2012/12/18

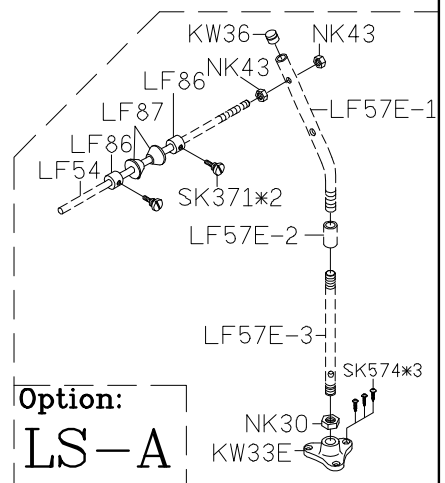
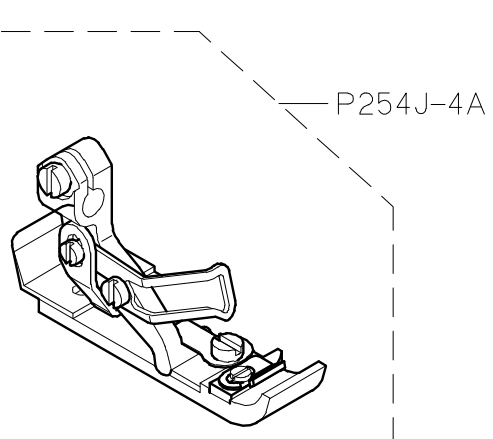
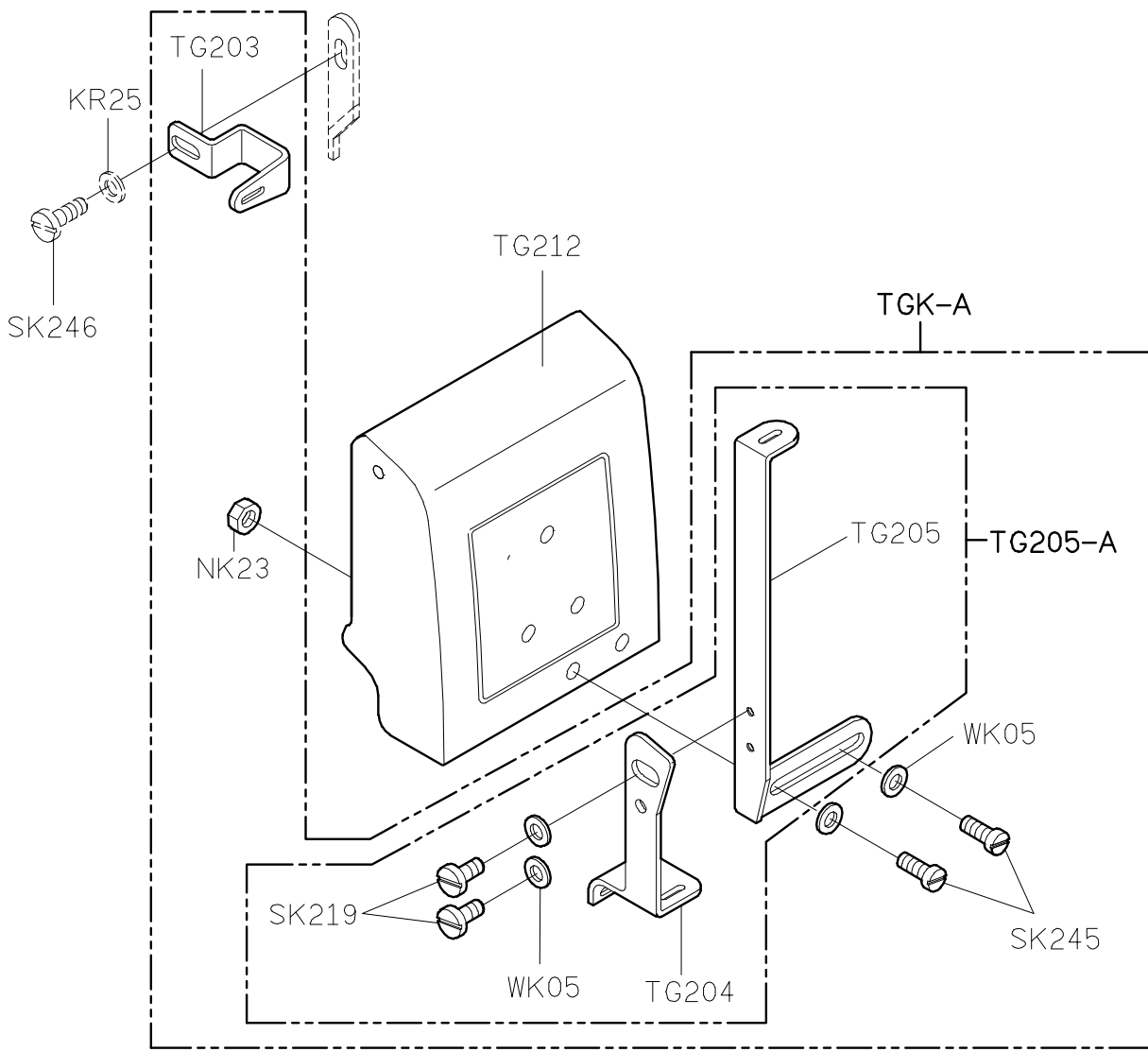
A

B

C

D

E



Option:
LS-A

1

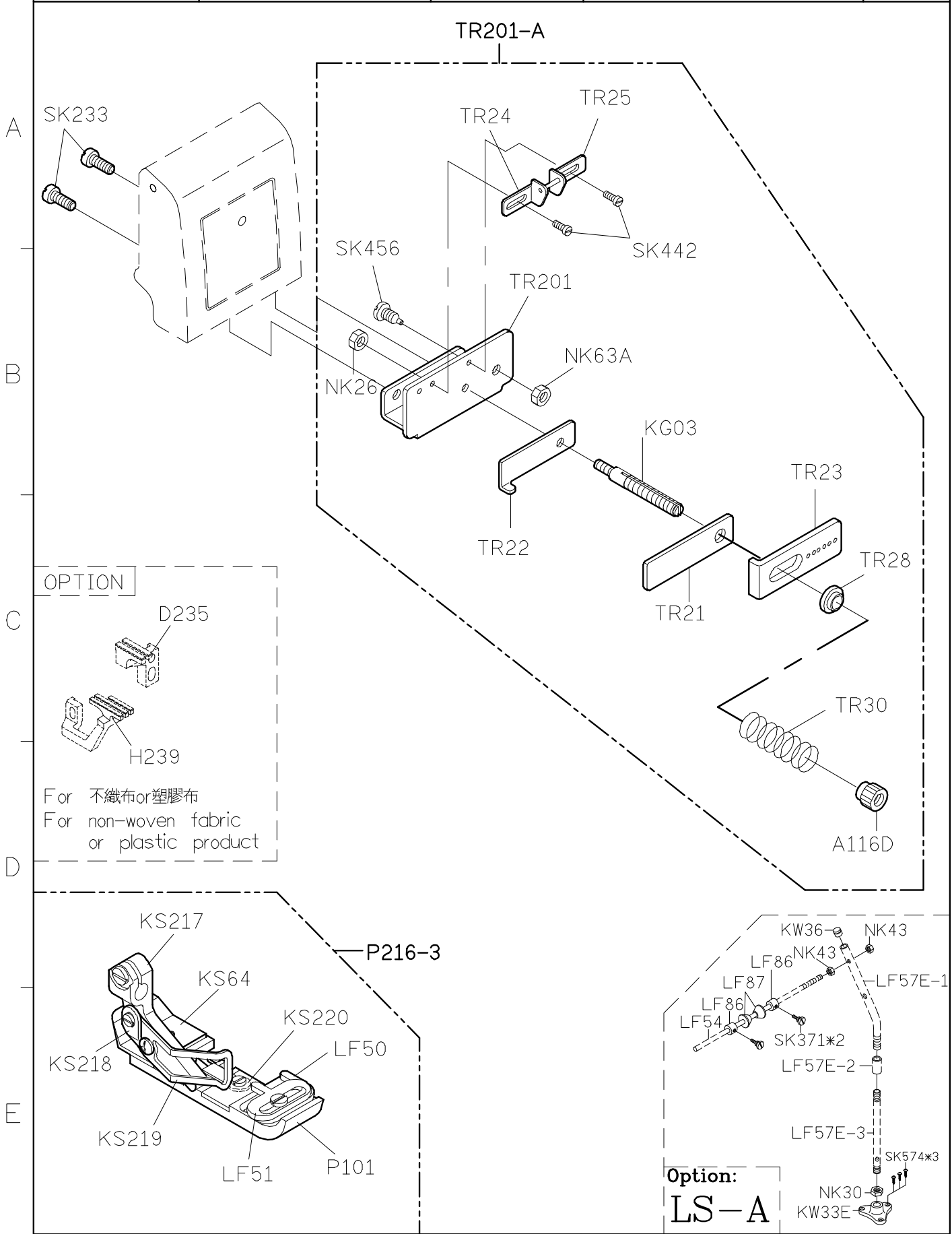
2

3

4

5

SIRUBA PARTS LIST	Series	Parts Group	Subclass / Remark	Page
	700K/700KD	TR		1/1
	988/988D			Date
				2012/12/18



1

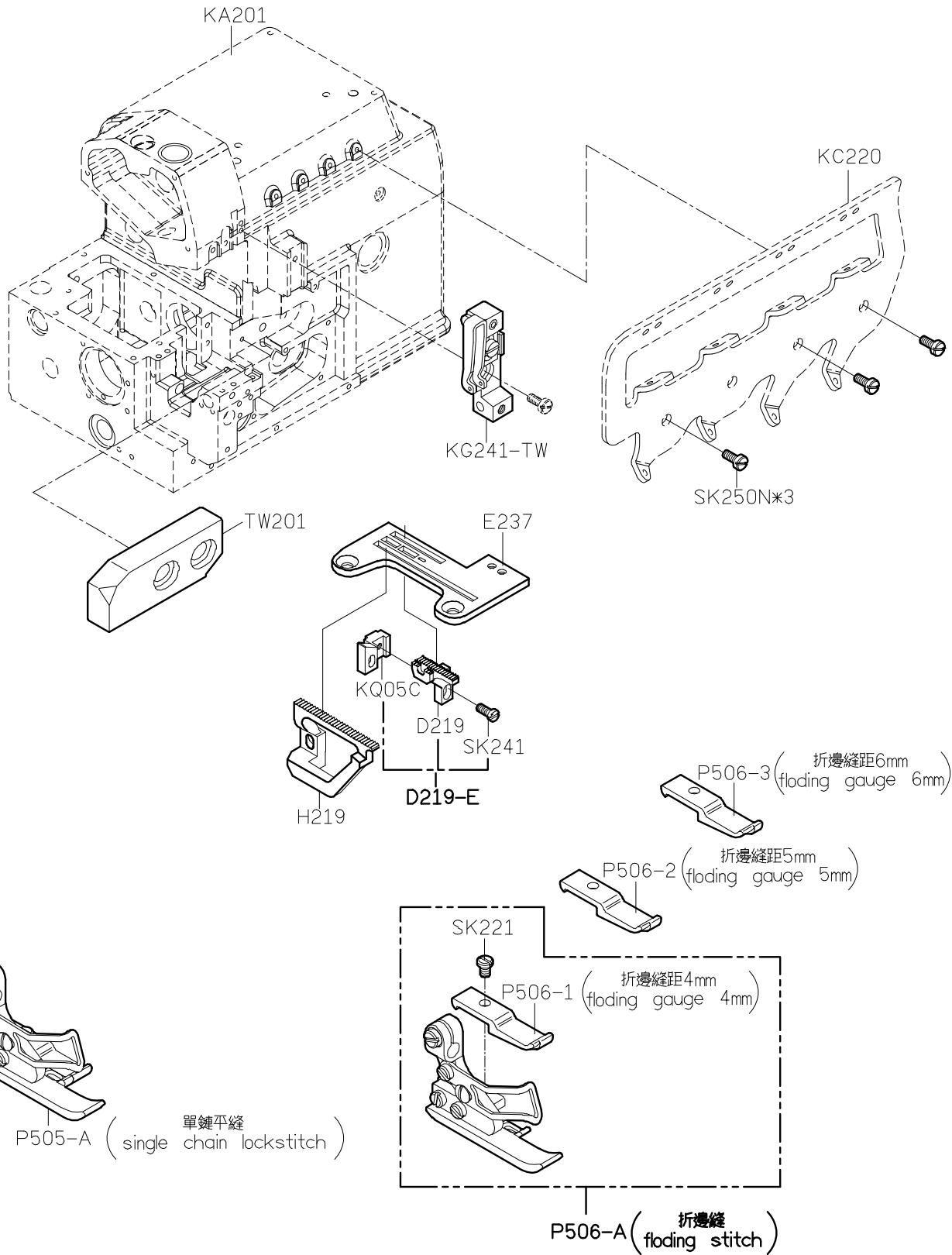
2

3

4

5

SIRUBA PARTS LIST	Series	Parts Group	Subclass / Remark	Page
	700K/700KD	TW		1/1
	988/988D			Date
				2012/12/18



1

2

3

4

5

SIRUBA

PARTS LIST

Series

700K/700KD
988/988D

Parts Group

VT-K

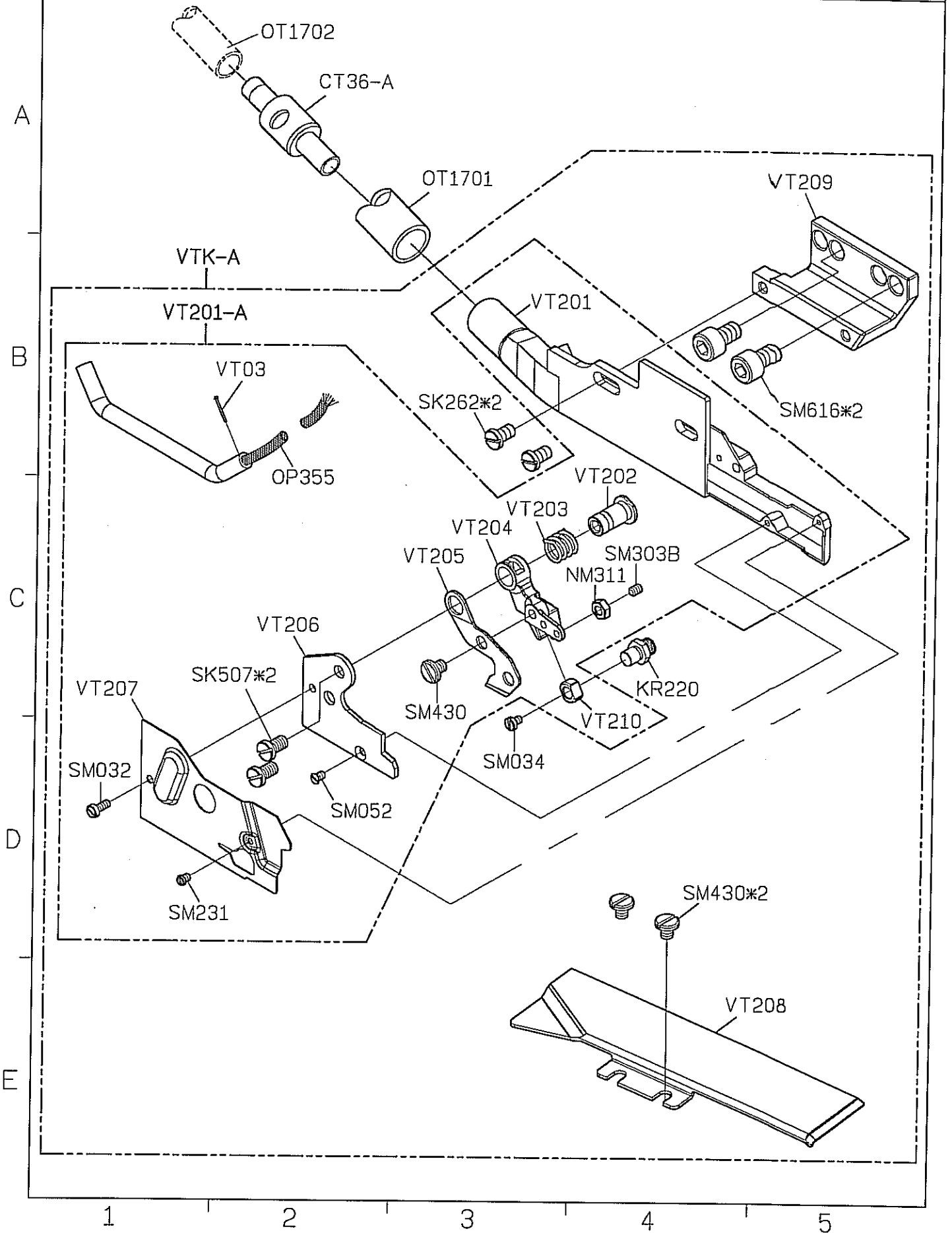
Subclass / Remark

Page

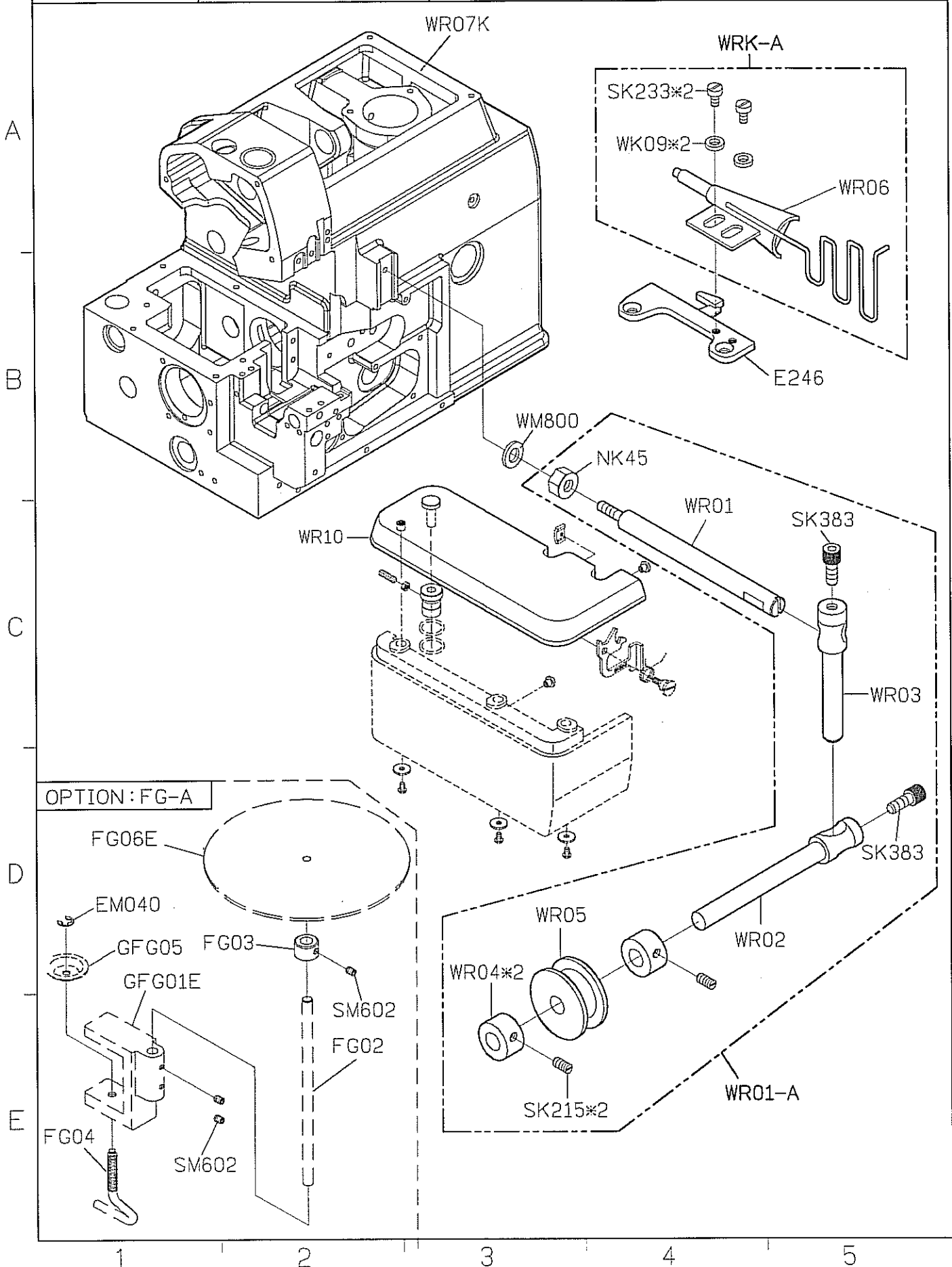
1/1

Date

2014/08/01



SIRUBA PARTS LIST	Series	Parts Group	Subclass / Remark	Page
	700K/700KD	WR-K		1/1
	988/988D			Date
				2013/06/22



SIRUBA TABLE CUT - OUT	Series	Item Code	Subclass Remark	Mounting
	700K/988	TB201		Fully-submerged
				Fixed Table
				Date
				2012/12/22

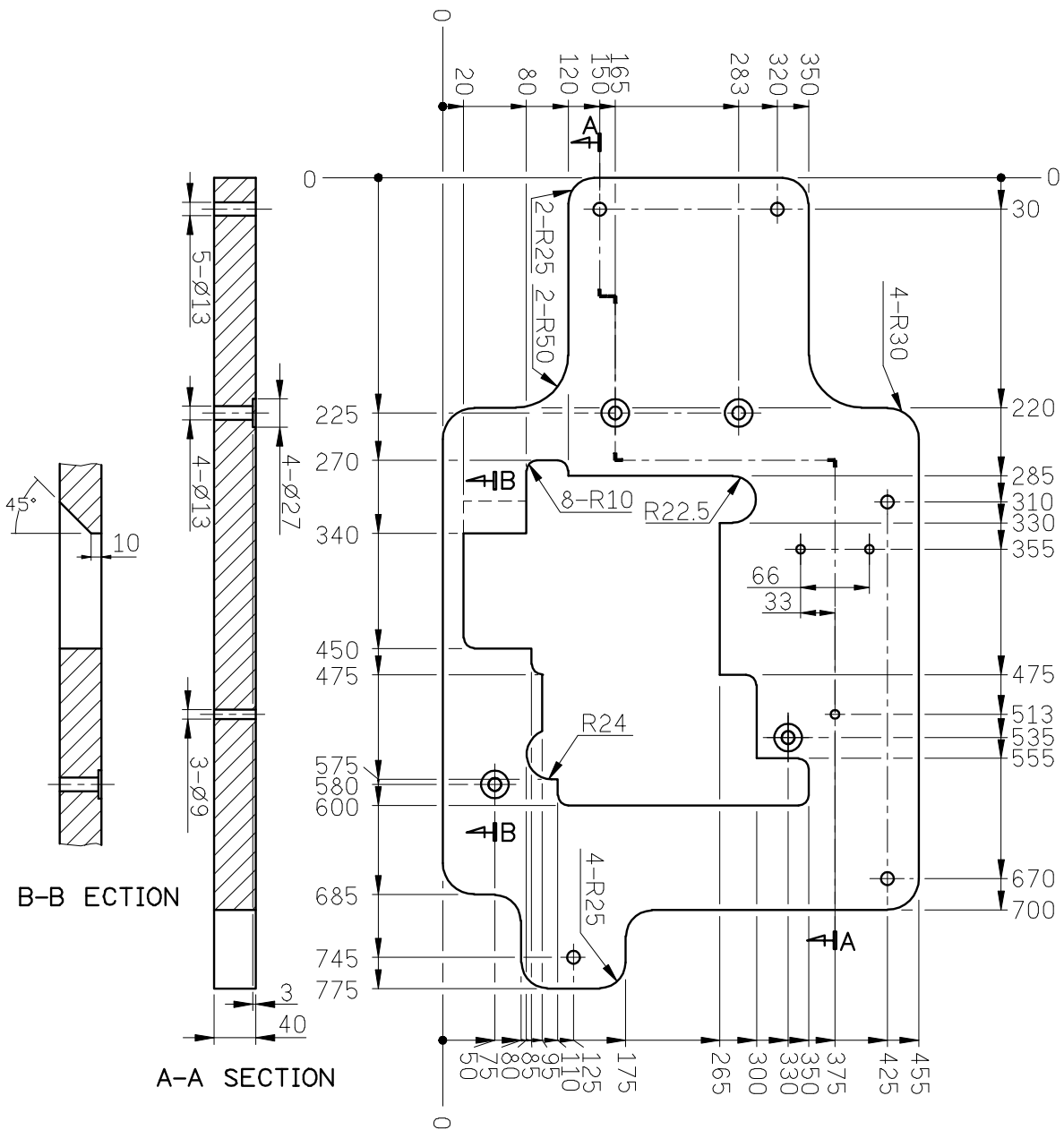
單位/UNIT:mm

FOR 700K/988

所有尺寸公差/DIFFERENCE:±2

重量(W):4.25kg±5%

全封邊灰格紋光塑面台板/Plastic Table With All Sides Sealed With Gray Plaid



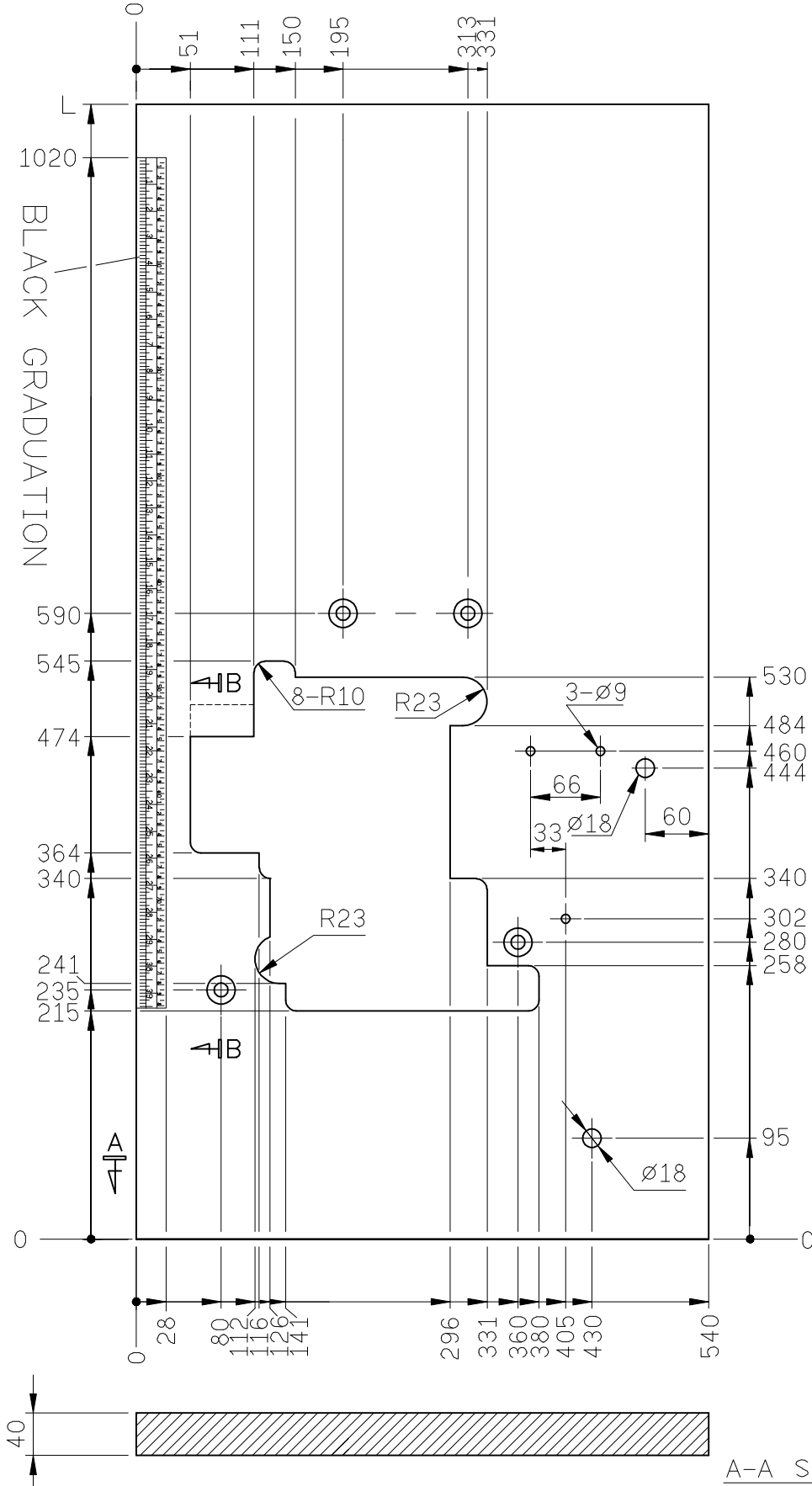
SIRUBA
TABLE
CUT - OUT

Series
700K/988

Item Code
700K-T

Subclass Remark

Mounting
Non-submerged
Date
2012/11/18

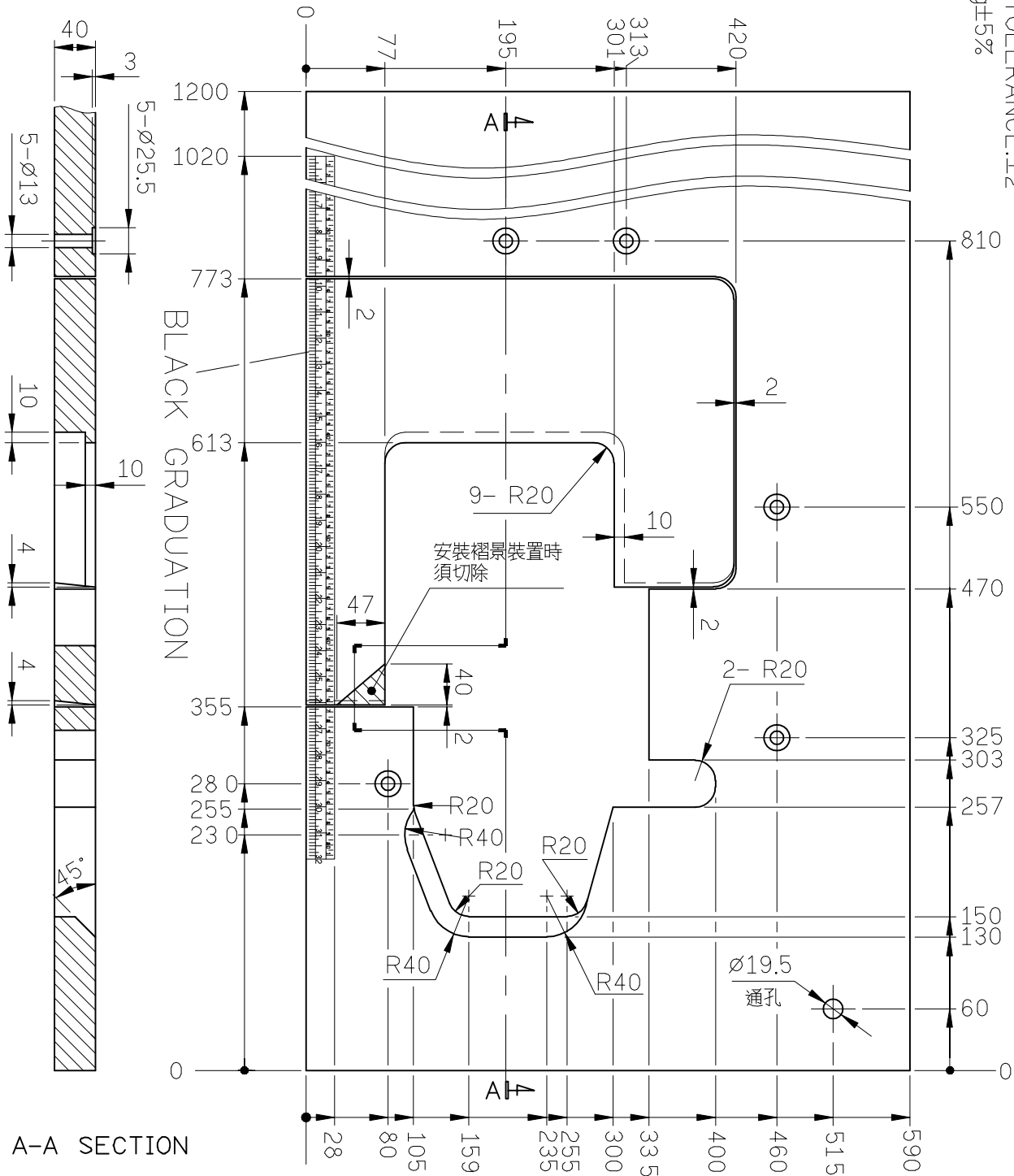


單位 / UNIT: mm
所有尺寸公差 / TOLERANCE: ±2
長度 (L): 1070 / 重量 (W): 10.5kg ± 5%
長度 (L): 1200 / 重量 (W): 11.5kg ± 5%

A-A SECTION

SIRUBA TABLE CUT - OUT	Series	Item Code	Subclass Remark	Mounting
	700K/988	700K-T1	需配TBK (包含TB202 / TB203 / TB204) (需搭 KX201 舊底盤)	Fully-submerged
				Date
				2012/11/18

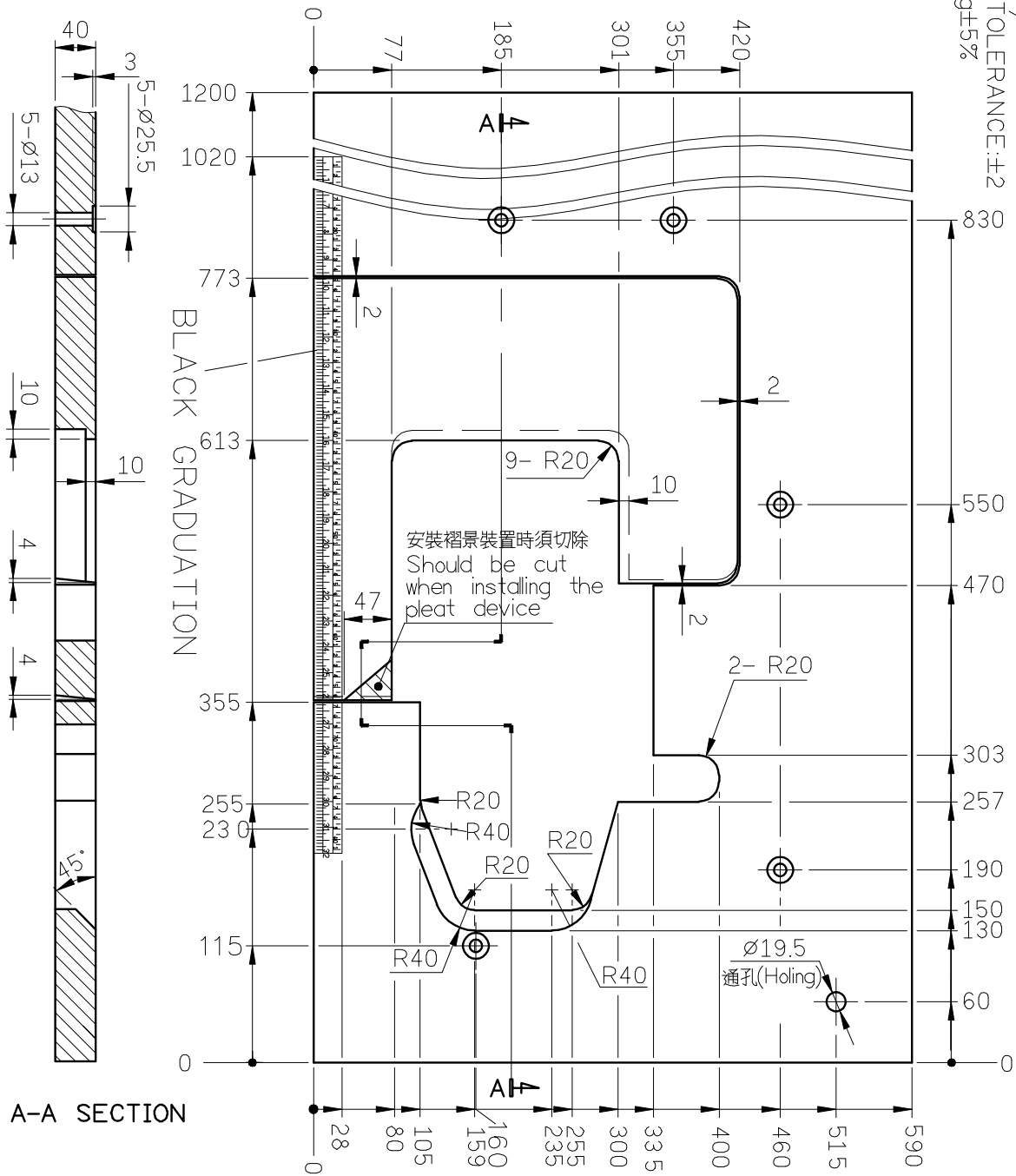
單位 / UNIT : mm
 所有尺寸公差 / TOLERANCE : ±2
 重量 (W) : 12.4kg ±5%



A-A SECTION

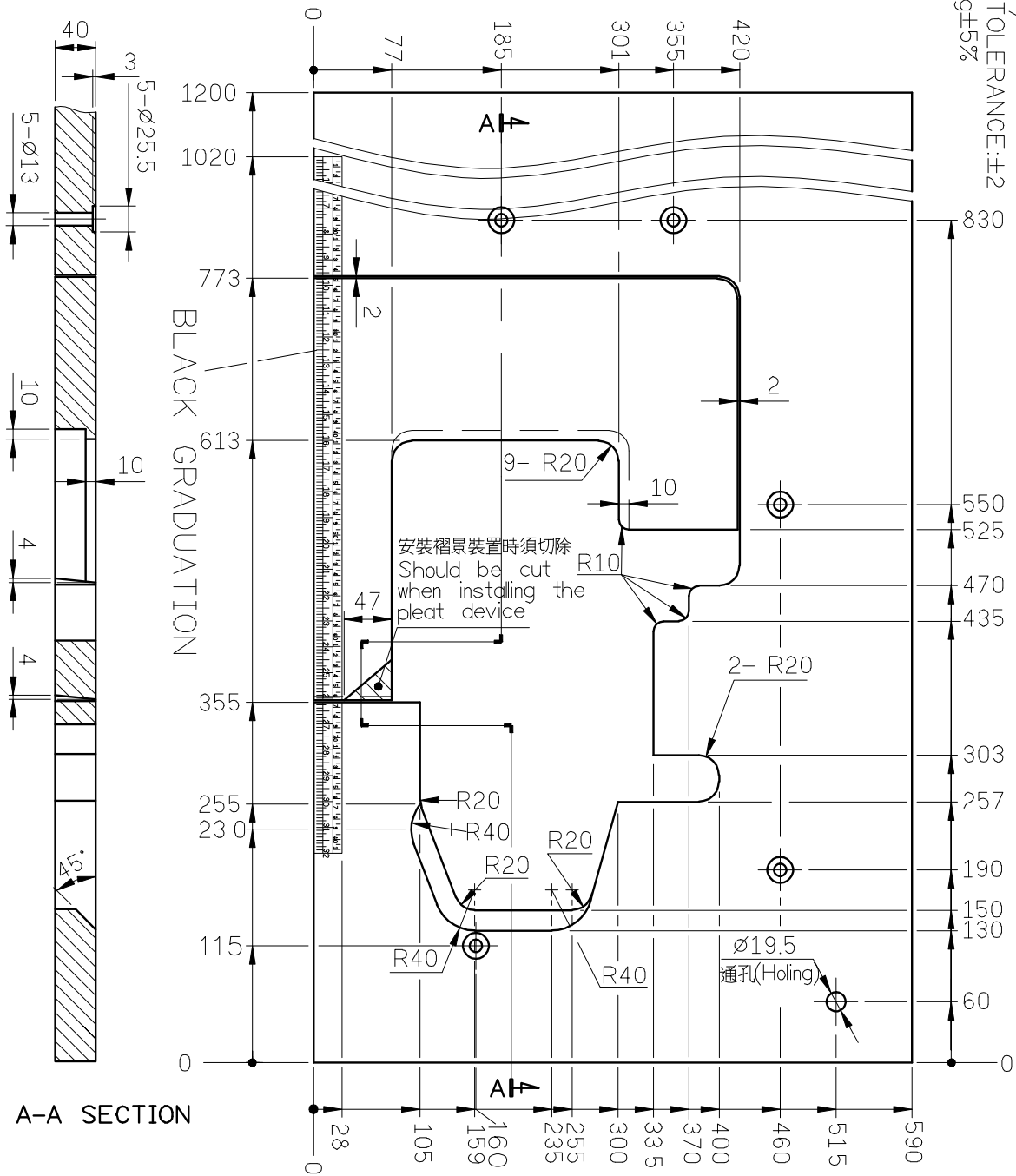
SIRUBA TABLE CUT - OUT	Series	Item Code	Subclass Remark	Mounting
	700K/988	700K-T2	需配TBK-1 (包含TB201) Collocate With TBK-1 (Including TB201)	Fully-submerged
				Date 2012/12/22

單位/UNIT:mm
FOR 700K/988
所有尺寸公差/TOLERANCE:±2
重量(W):12.4kg±5%



SIRUBA TABLE CUT - OUT	Series	Item Code	Subclass Remark	Mounting
	700K/988	700K-T3	For:EC、CT、VT 需配TBK-1 (包含TB201) Collocate With TBK-1 (Including TB201)	Fully-submerged
				Date 2012/12/22

單位/UNIT:mm
FOR 700K/988
所有尺寸公差/TOLERANCE:±2
重量(W):12.4kg±5%



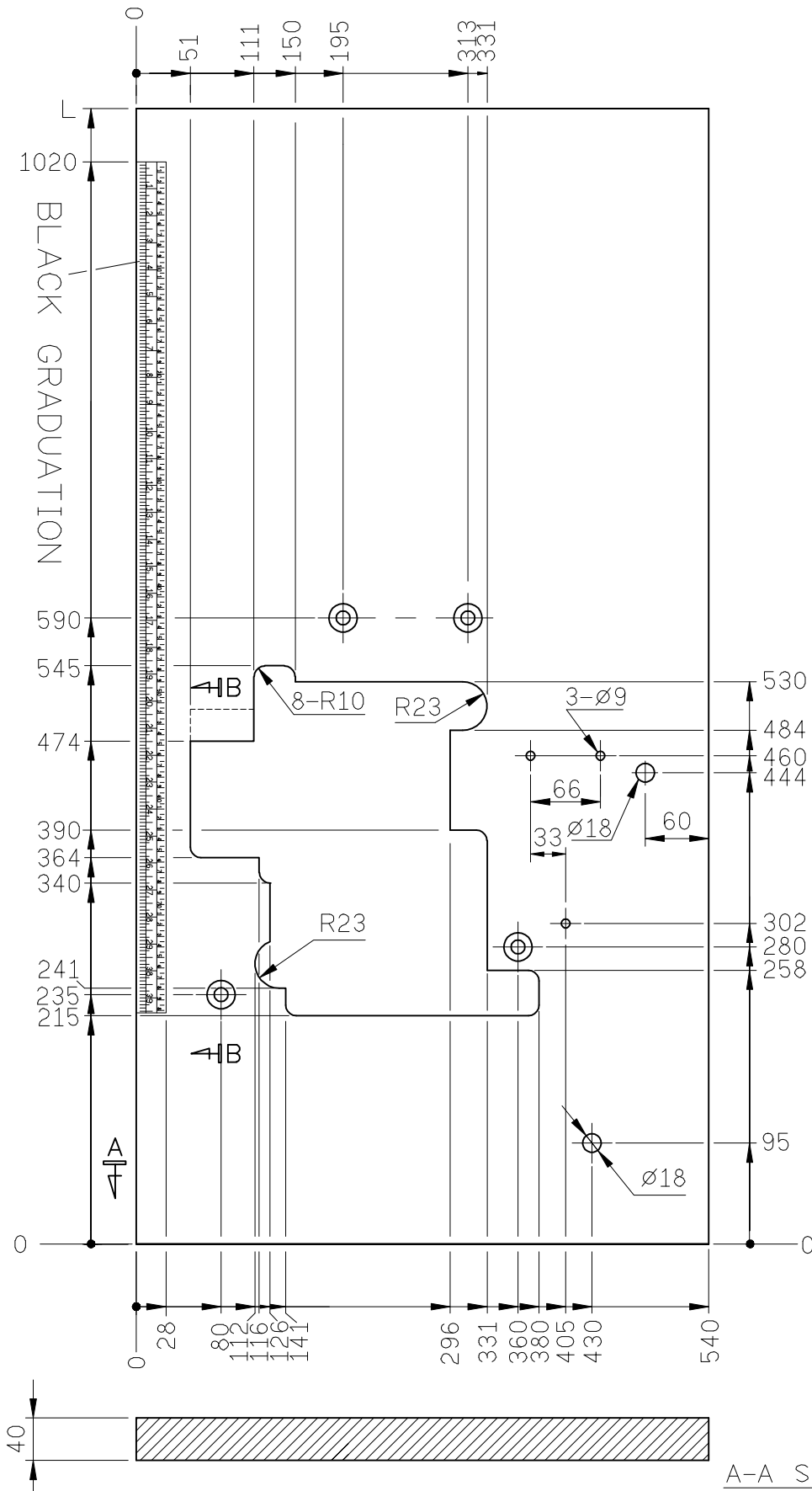
SIRUBA
TABLE
CUT - OUT

Series
700KD/988D

Item Code
700KD-T

Subclass Remark

Mounting
Semi-submerged
Date
2012/11/18

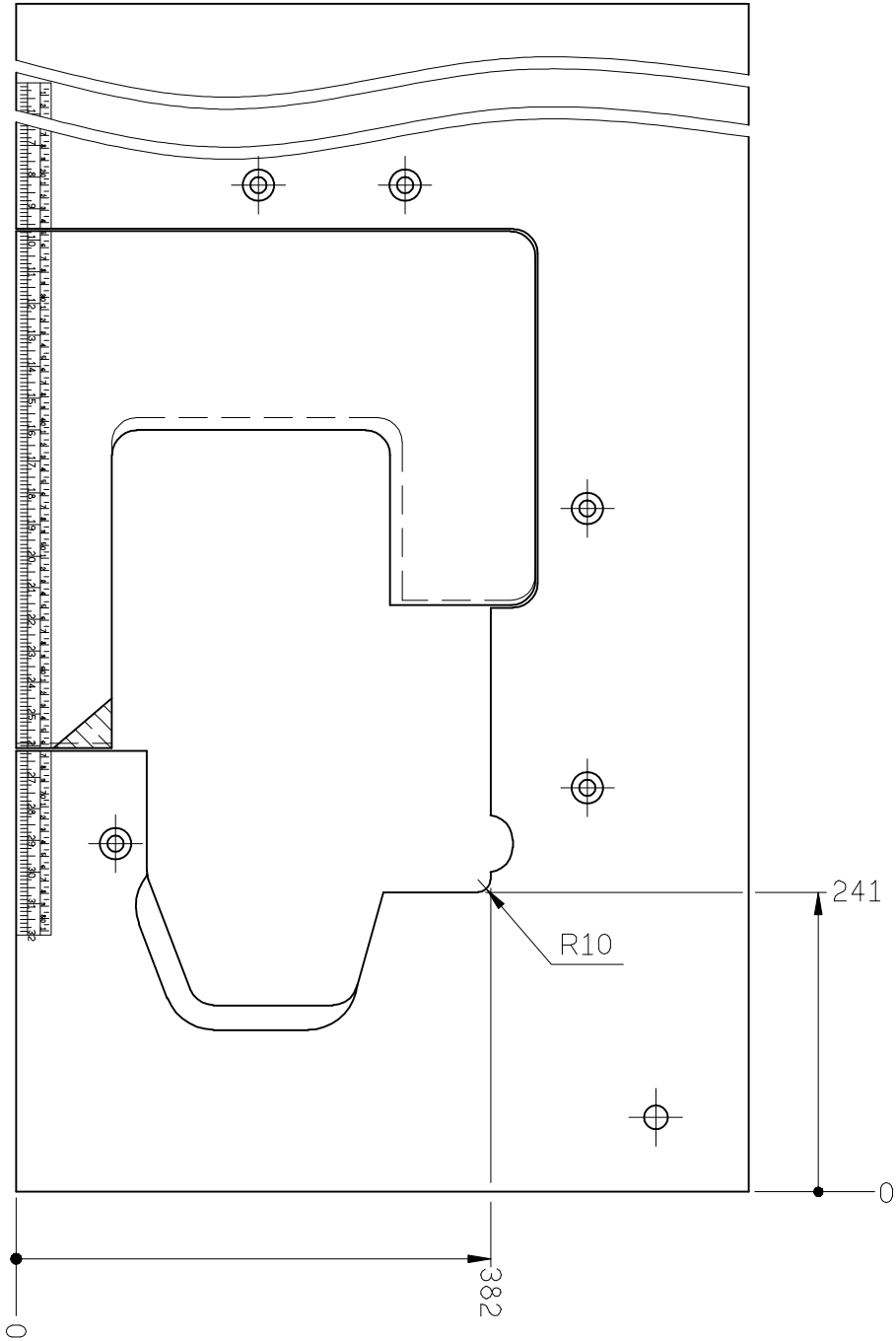


單位 / UNIT: mm
所有尺寸公差 / TOLERANCE: ± 2
長度 (L): 1070 / 重量 (W): 10.3kg $\pm 5\%$
長度 (L): 1200 / 重量 (W): 11.3kg $\pm 5\%$

A-A SECTION

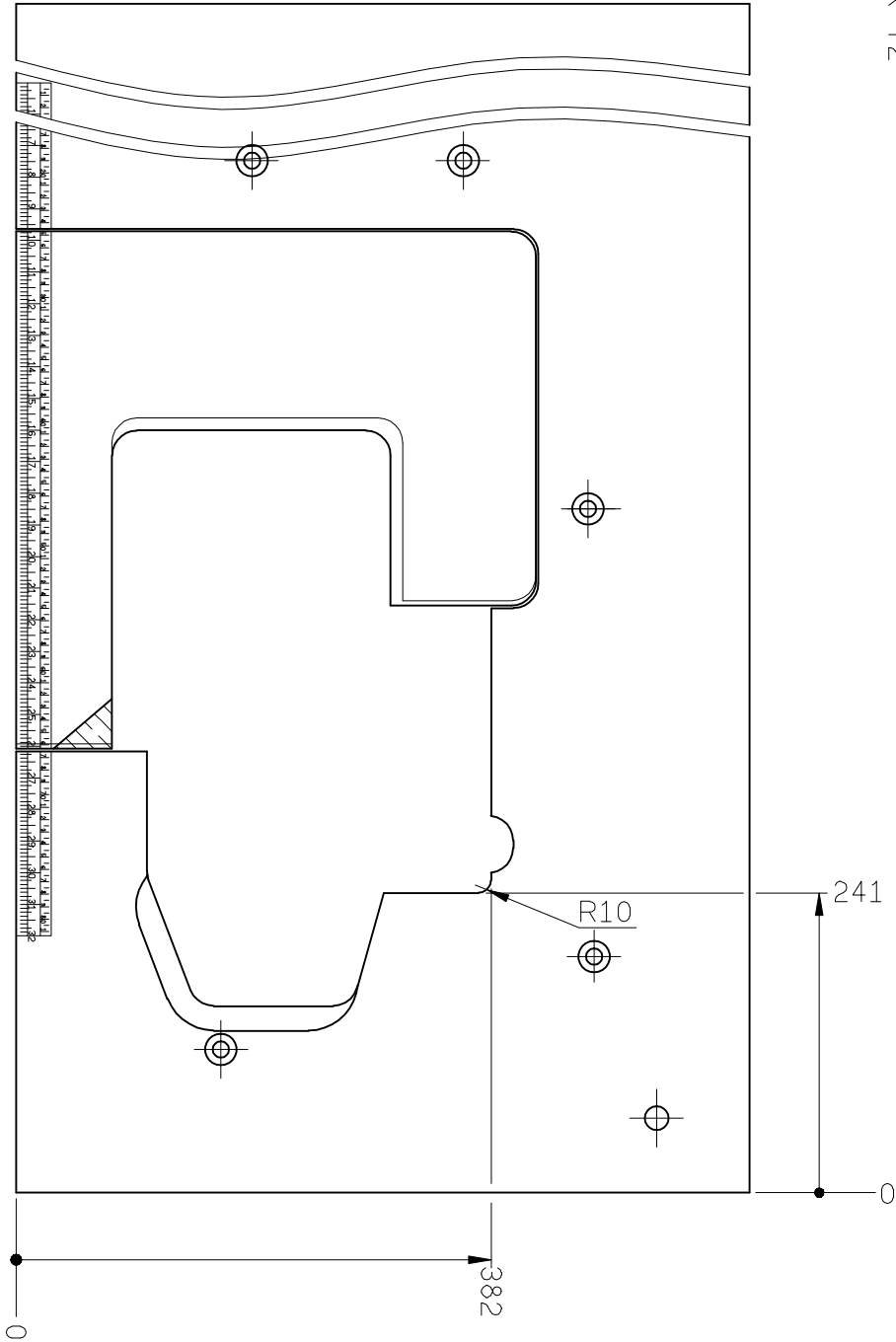
SIRUBA TABLE CUT - OUT	Series	Item Code	Subclass Remark	Mounting
	700KD/988D	700KD-T1	需配TBK(包含TB202/TB203) (需搭KX201舊底盤)	Fully-submerged
				Date
				2012/11/18

單位/UNIT:mm
 所有尺寸公差/TOLERANCE:±2
 重量(W):12.2kg±5%
 其餘尺寸同700K-T1



SIRUBA TABLE CUT - OUT	Series	Item Code	Subclass Remark	Mounting
	700KD/988D	700KD-T2	需配TBKD-1(包含TB201D)	Fully-submerged
				Date 2012/11/18

單位/UNIT:mm
 FOR 700KD/988D
 所有尺寸公差/TOLERANCE:±2
 重量(W):12.2kg±5%
 其餘尺寸同 700K-T2



SIRUBA TABLE CUT - OUT	Series	Item Code	Subclass Remark	Mounting
	700KD/988D	700KD-T3	For: FLP、EC、CT、VT 需配TBKD-1(包含TB201D)	Fully-submerged
				Date
				2012/11/18

單位 / UNIT : mm
 FOR 700KD / 988D
 所有尺寸公差 / TOLERANCE : ±2
 重量 (W) : 11.9kg ± 5%
 其餘尺寸同 700KD-T2

