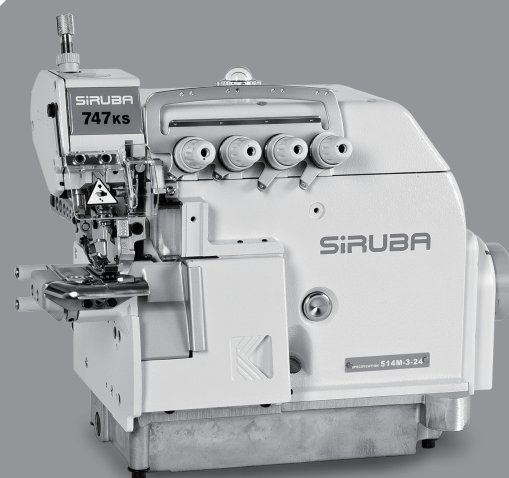


**SIRUBA**<sup>®</sup> Sew Reach

零件圖

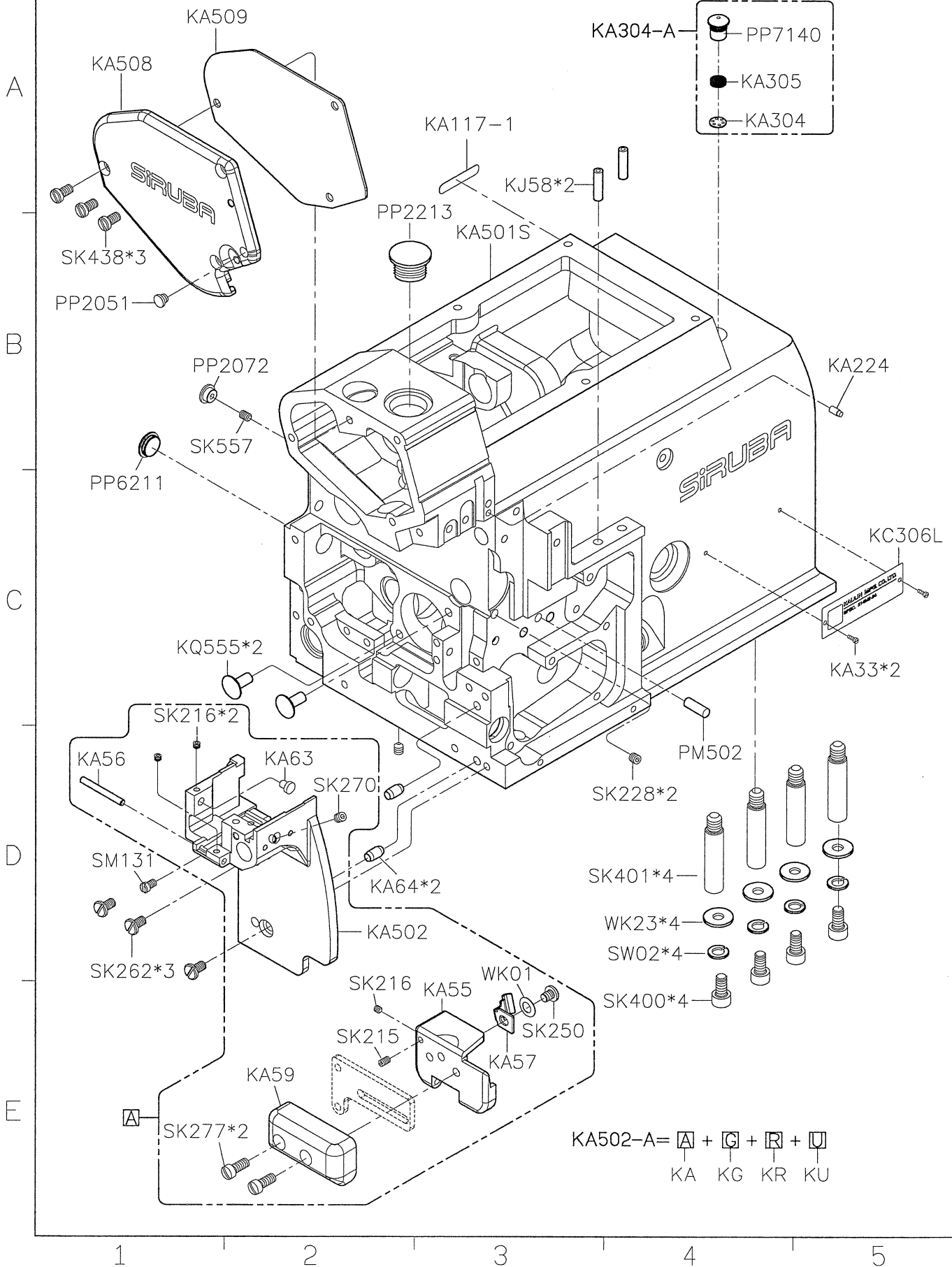
PARTS LIST

■ 700KS



CE

SIRUBA GAGE PARTS LIST		Series					Remark						Page	Date
		700KS											1 / 1	2018/09/18
機 型 Model		針板 Needle Plate	送具 Feed Dog		送具 Feed Dog	押具 Presser Foot	衝程 Crank	大心 Crank Shaft	針鏽 Needle Clamp	勾針連桿座 Upper Looper Holder	上勾針 Upper Looper	下勾針 Lower Looper	針 Needle	
737KS	505F-2-04	E304	D517	D516	H516	P152D-3A	KJ516-E	KD501	KG231K-E	KJ508	LP526	KL502A	DCX27#11	
	505F-2-04/ESK	E304	D517	D516	H516	P152D-3A	KJ516-E	KD501	KG231K-E	KJ508	LP526	KL502A	DCX27#11	
	505F-2-04/ESK/VT	E304	D517	D516	H516	P152D-3A	KJ516-E	KD501	KG231K-E	KJ508	LP526	KL502A	DCX27#11	
	505F-2-04/ESSK/VT	E304	D517	D516	H516	P152D-3A	KJ516-E	KD501	KG231K-E	KJ508	LP526	KL502A	DCX27#11	
	504M-3-03	E503	D515	D516	H515	P987-3A	KJ516-E	KD501	KG231K-E	KJ508	LP526	KL502A	DCX27#11	
	504M-3-04	E504	D515	D516	H515	P987-3A	KJ516-E	KD501	KG231K-E	KJ508	LP526	KL502A	DCX27#11	
	504M-3-04/LFD6-K	E324K	D515A	D117K	H517	P212A-A1	KJ516-E	KD501	KG231K-E	KJ508	LP526	KL502A	DCX27#11	
	504M-3-04/LFD6A-K	E324K	D515A	D117K	H517	P212A-3A1	KJ516-E	KD501	KG231K-E	KJ508	LP526	KL502A	DCX27#11	
	504M-3-05	E505	D515	D516	H515	P987-3A	KJ516-E	KD501	KG231K-E	KJ508	LP526	KL502A	DCX27#11	
	504H-3-03	E513	D515A	D117K	H517	P987-3A	KJ513-E	KD501B	KG231K-E	KJ528	LP519	KL502A	DCX27#11	
	504H-3-04	E324K	D515A	D117K	H517	P987-3A	KJ513-E	KD501B	KG231K-E	KJ528	LP519	KL502A	DCX27#11	
504H-3-05	E515	D515A	D117K	H517	P987-3A	KJ513-E	KD501B	KG231K-E	KJ528	LP519	KL502A	DCX27#11		
747KS	514M-3-23	E523	D515	D516	H515	P987-4A	KJ513-E	KD501	KG242K-E	KJ508	LP518	KL502	DCX27#11*2	
	514M-3-24	E424	D515	D516	H515	P987-4A	KJ513-E	KD501	KG242K-E	KJ508	LP518	KL502	DCX27#11*2	
	514M-3-24/LFD6-K	E434K	D515A	D117K	H517	P212A-2A1	KJ513-E	KD501	KG242K-E	KJ508	LP518	KL502	DCX27#11*2	
	514M-3-24/LFD6-K1	E434K	D515A	D117K	H517	P212A-2A1	KJ513-E	KD501	KG242K-E	KJ508	LP518	KL502	DCX27#11*2	
	514M-3-24/LFD6A-K	E434K	D515A	D117K	H517	P212A-4A1	KJ513-E	KD501	KG242K-E	KJ508	LP518	KL502	DCX27#11*2	
	514M-3-24/LFD6A-K1	E434K	D515A	D117K	H517	P212A-4A1	KJ513-E	KD501	KG242K-E	KJ508	LP518	KL502	DCX27#11*2	
	514M-3-25	E525	D515	D516	H515	P987-4A	KJ513-E	KD501	KG242K-E	KJ508	LP518	KL502	DCX27#11*2	
	514H-3-23	E533	D515A	D117K	H517	P987-4A	KJ513-E	KD501B	KG242K-E	KJ528	LP519	KL502A	DCX27#11*2	
	514H-3-24	E434K	D515A	D117K	H517	P987-4A	KJ513-E	KD501B	KG242K-E	KJ528	LP519	KL502A	DCX27#11*2	
514H-3-25	E535	D515A	D117K	H517	P987-4A	KJ513-E	KD501B	KG242K-E	KJ528	LP519	KL502A	DCX27#11*2		



1

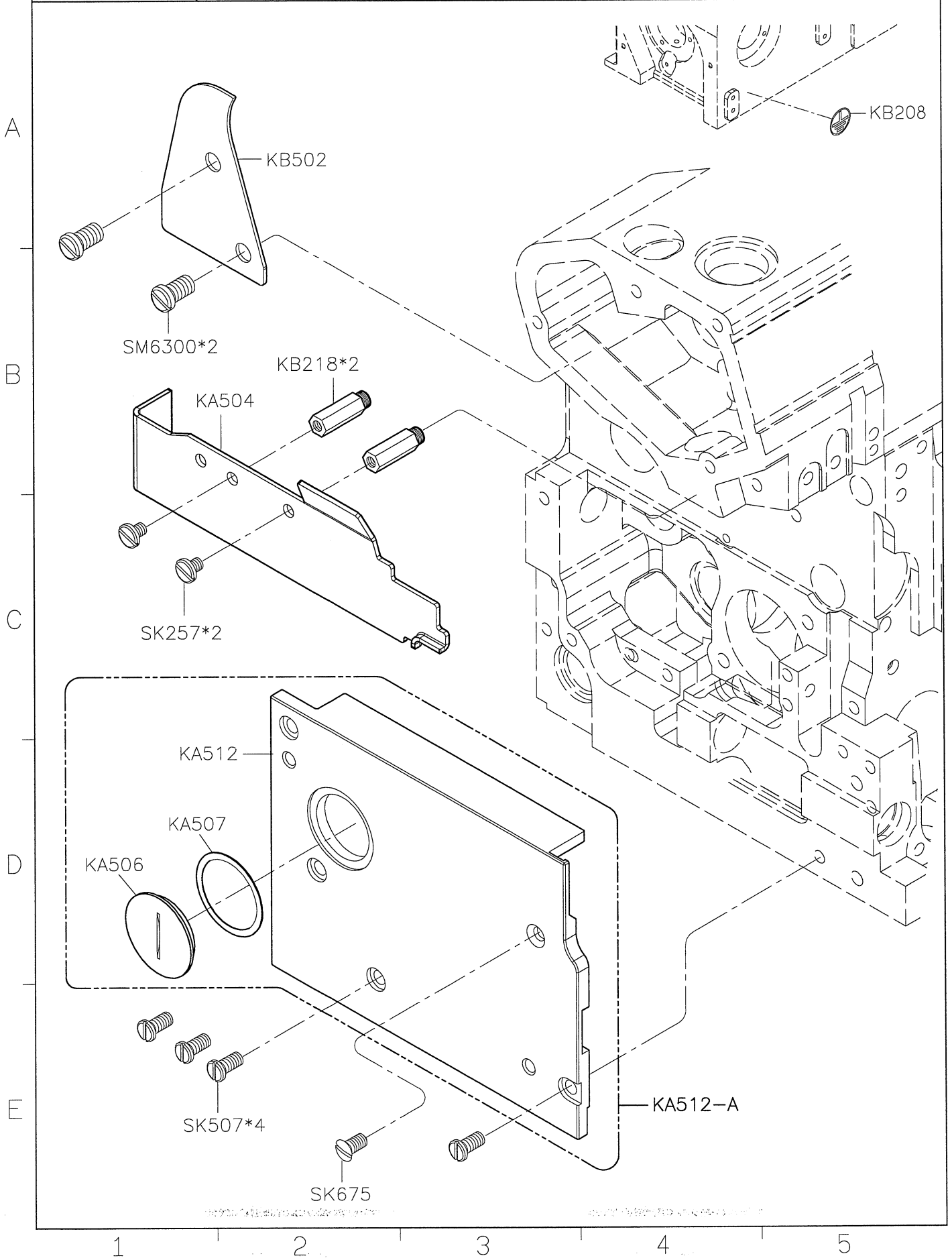
2

3

4

5

SIRUBA PARTS LIST	Series	Parts Group	Subclass / Remark	Page
	700KS	KB		1/1
				Date
				2018/07/05





**SIRUBA**

PARTS LIST

Series

700KS

Parts Group

**KC**

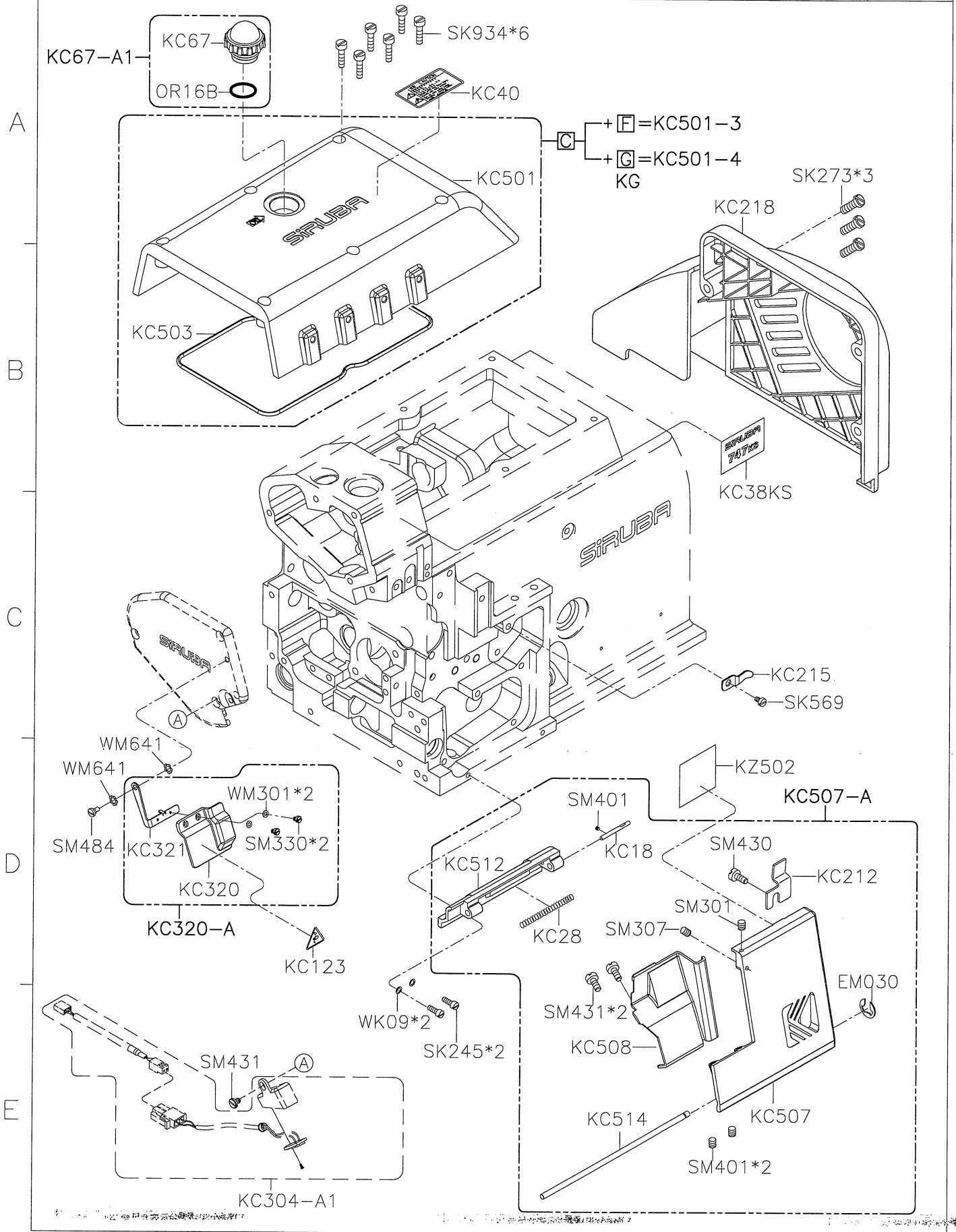
Subclass / Remark

Page

1/1

Date

2018/11/29



2

3

4

5

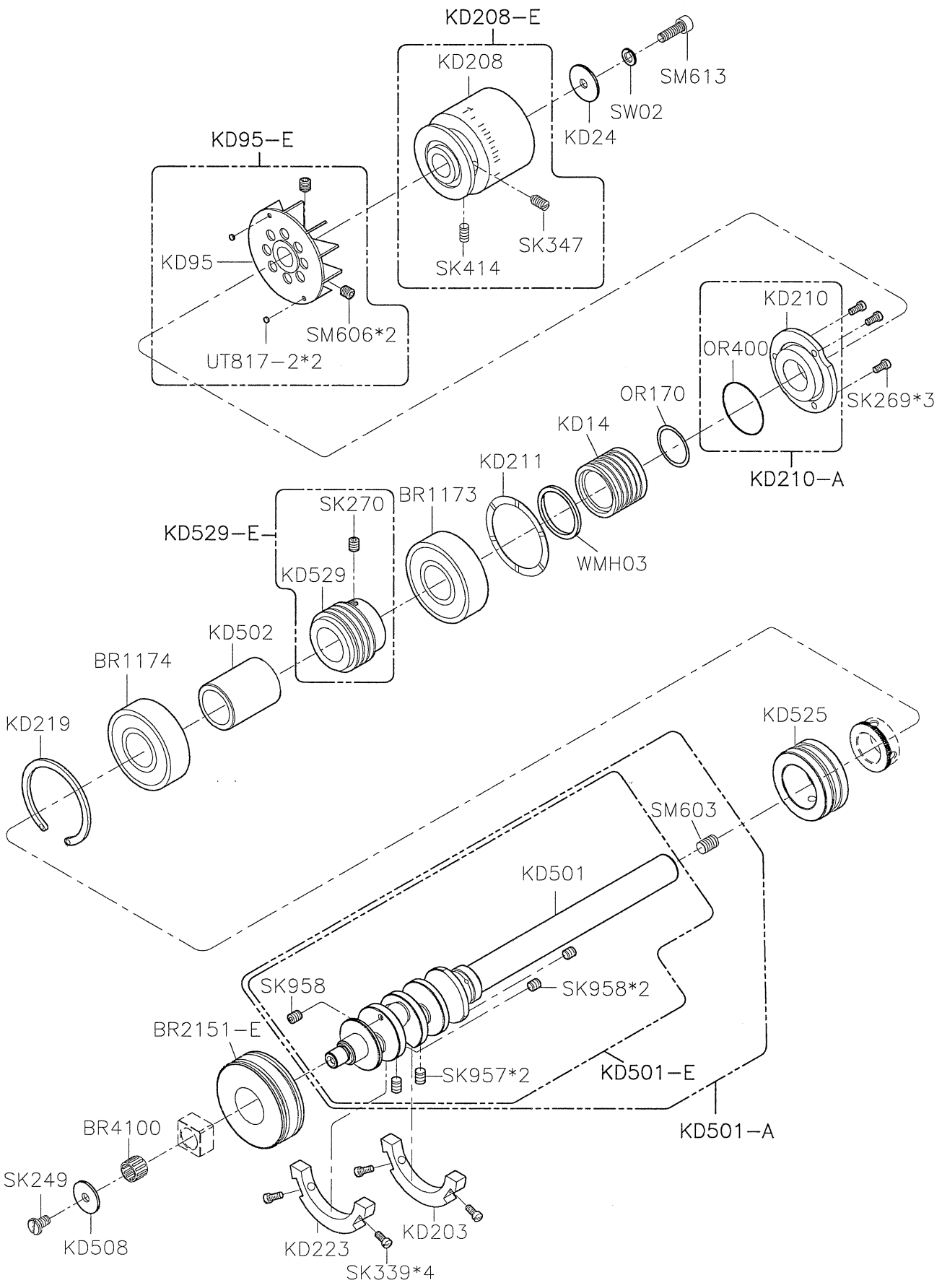
A

B

C

D

E



1

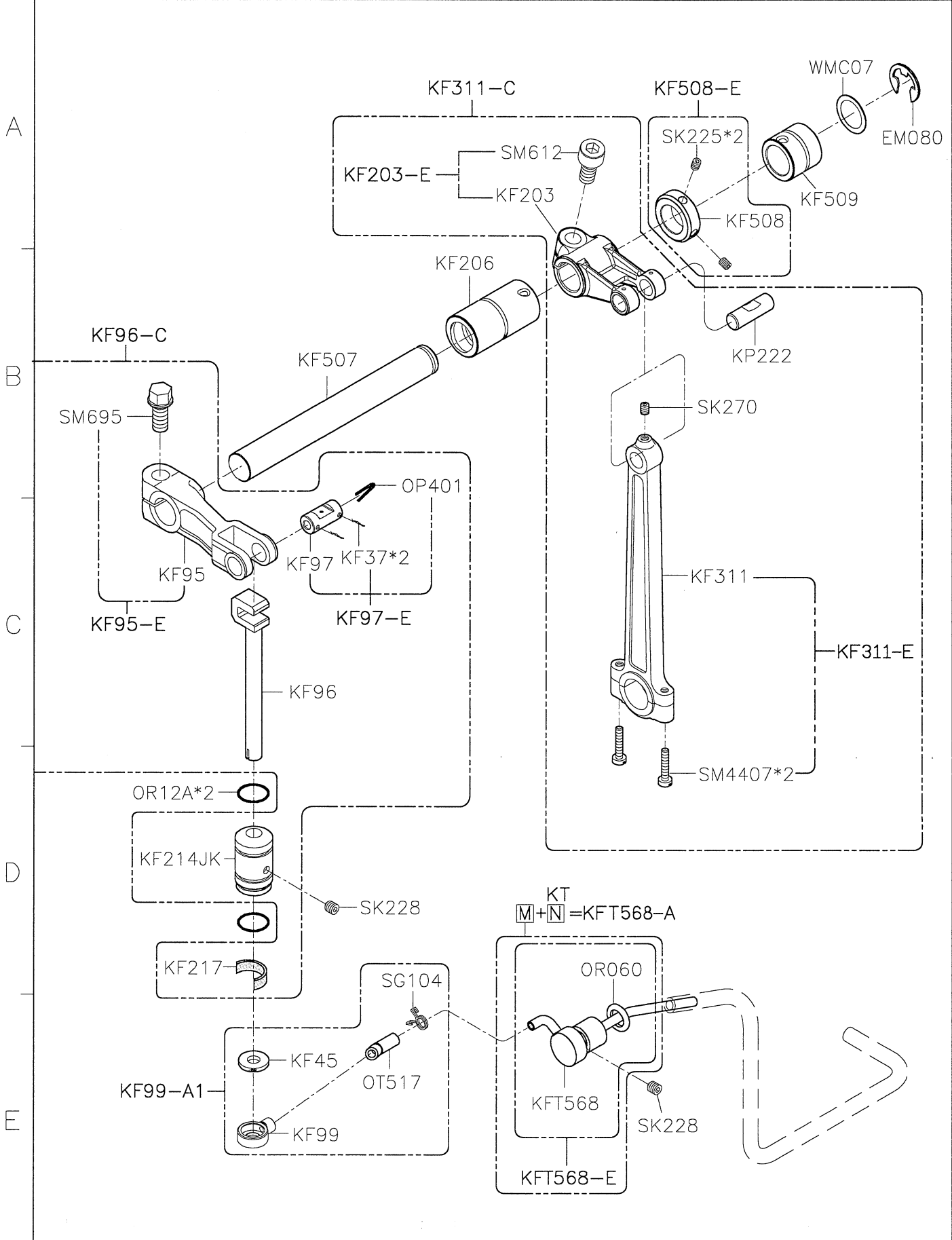
2

3

4

5

SIRUBA PARTS LIST	Series	Parts Group	Subclass / Remark	Page
	700KS	KF		1/1
				Date
				2018/10/04



1

2

3

4

5

**SIRUBA**

PARTS LIST

Series

700KS

Parts Group

KG

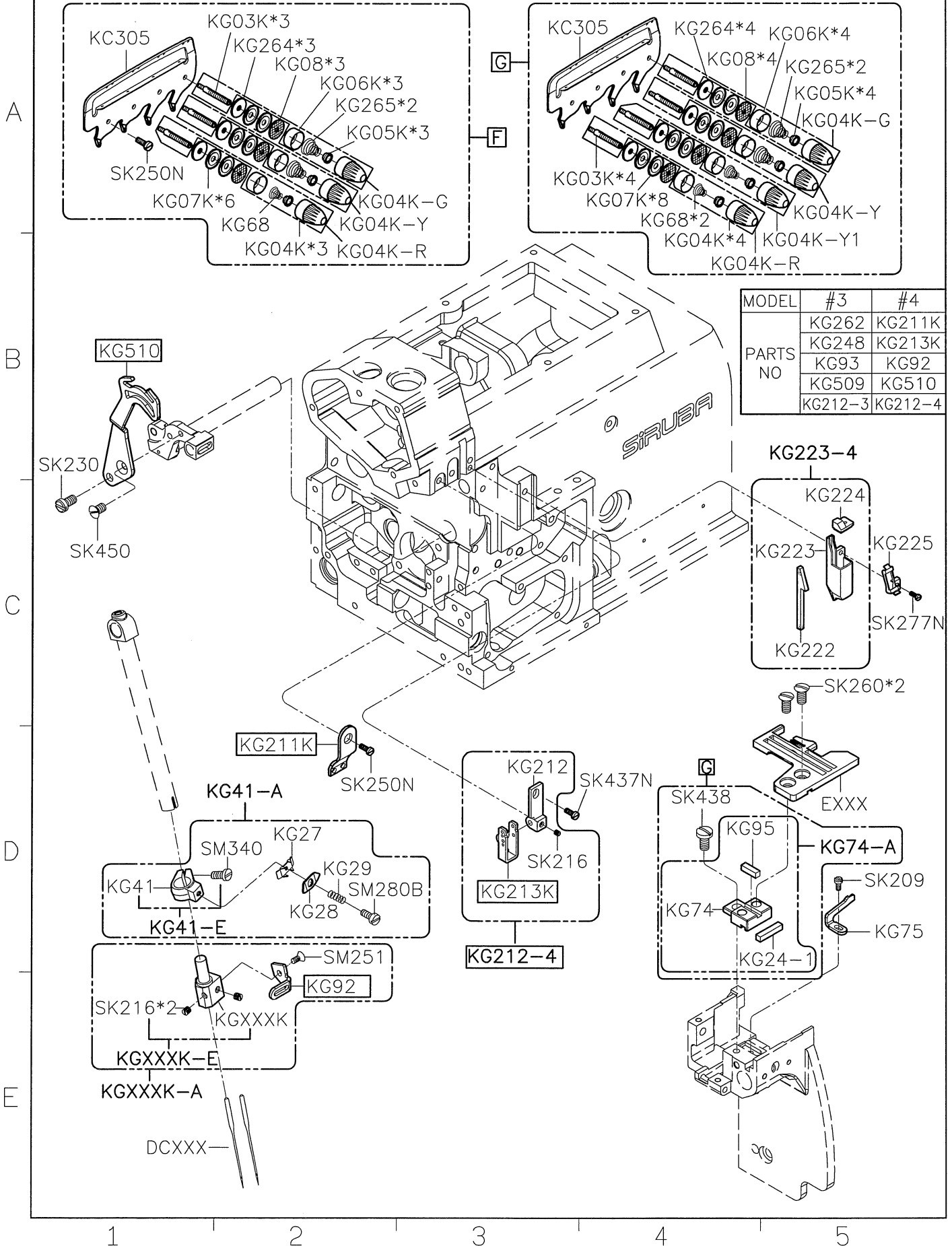
Subclass / Remark

Page

1/1

Date

2016/05/26



1

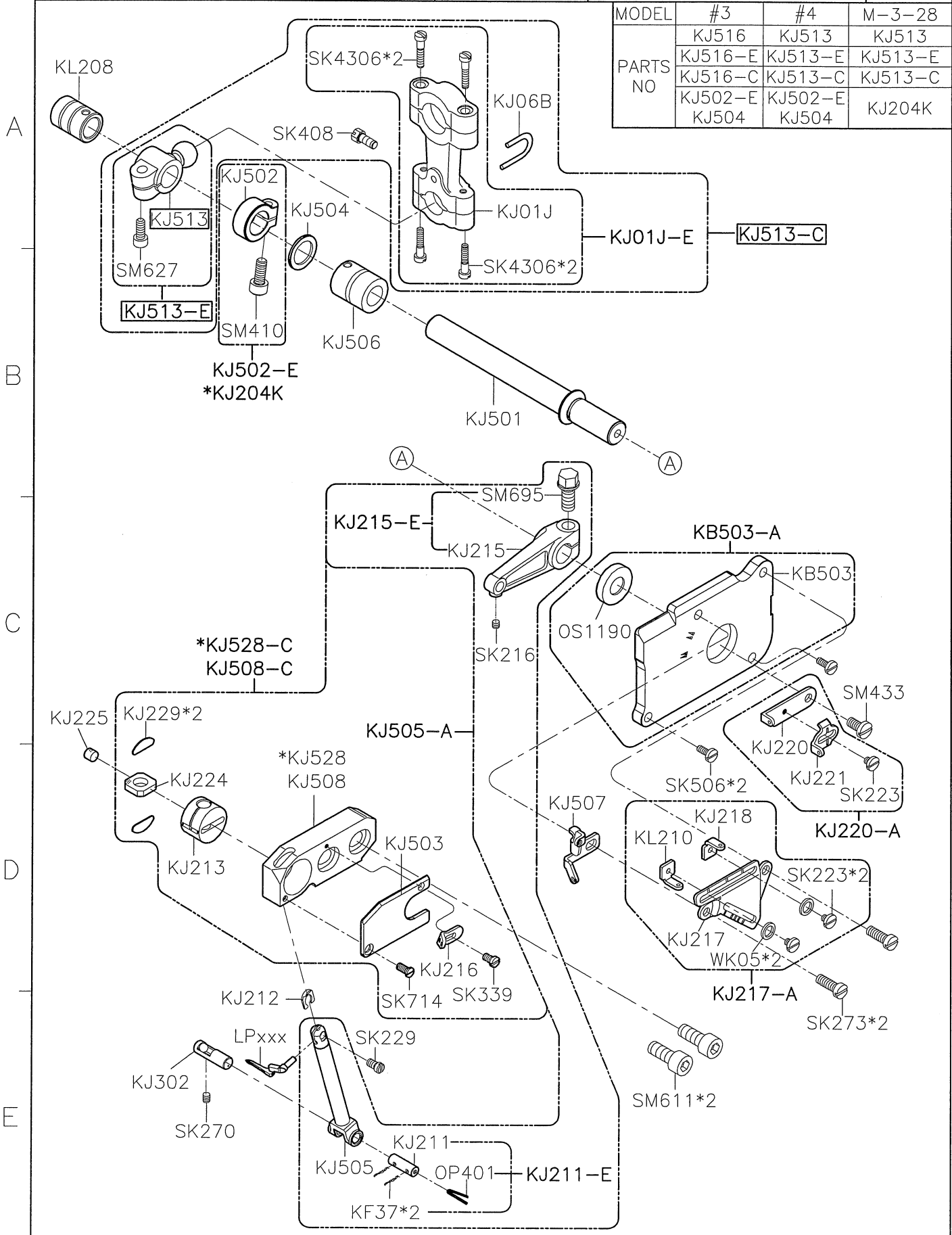
2

3

4

5

MODEL	#3	#4	M-3-28
PARTS NO	KJ516	KJ513	KJ513
	KJ516-E	KJ513-E	KJ513-E
	KJ516-C	KJ513-C	KJ513-C
	KJ502-E	KJ502-E	KJ204K
	KJ504	KJ504	



1

2

3

4

5

**SIRUBA**

PARTS LIST

Series

700KS

Parts Group

**KL**

Subclass / Remark

Page

1/1

Date

2019/01/24

MODEL	#3	#4
PARTS NO	KL502A	KL502
	KL514	KL514
	KL514-A1	KL514-A

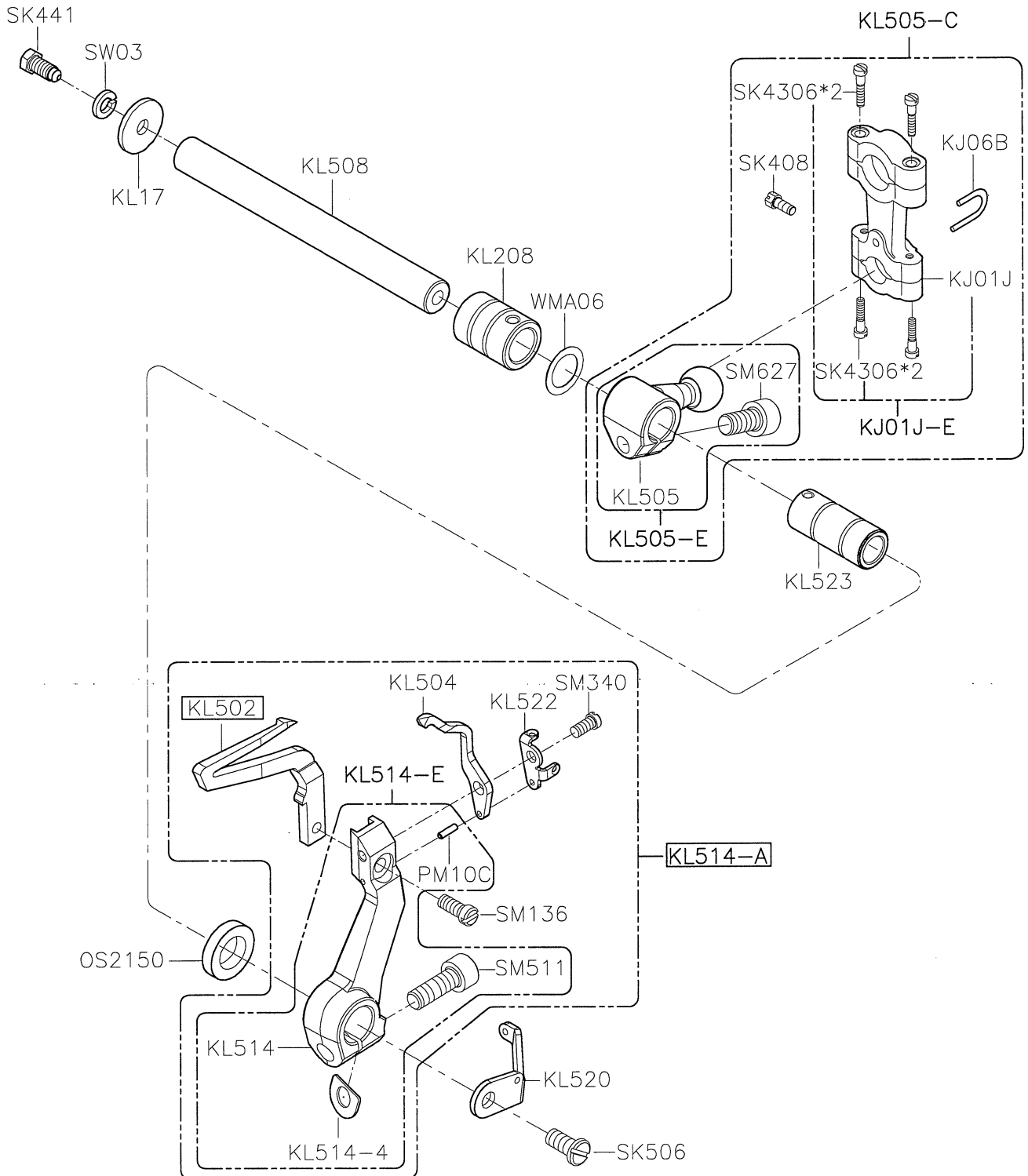
A

B

C

D

E



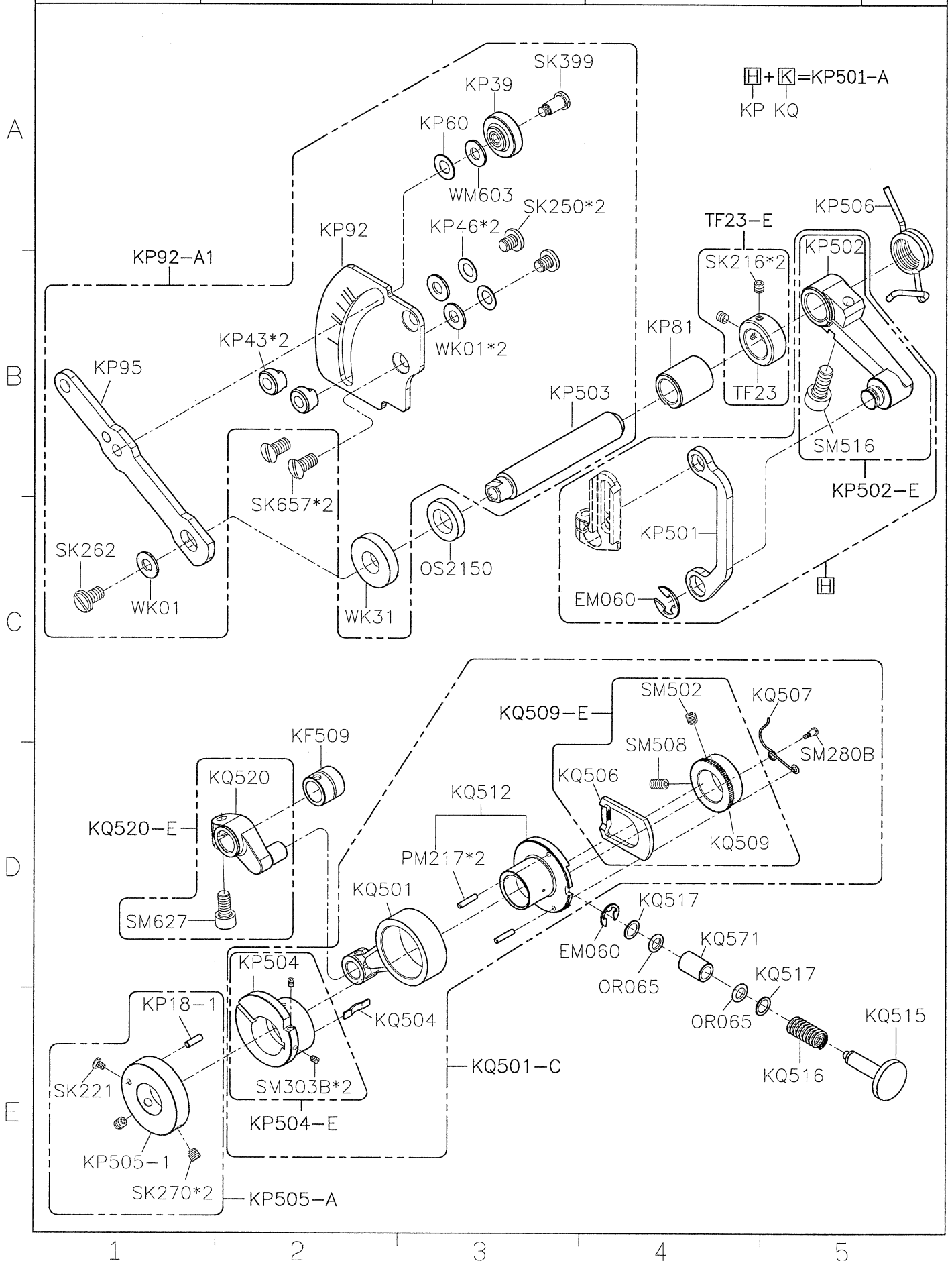
1

2

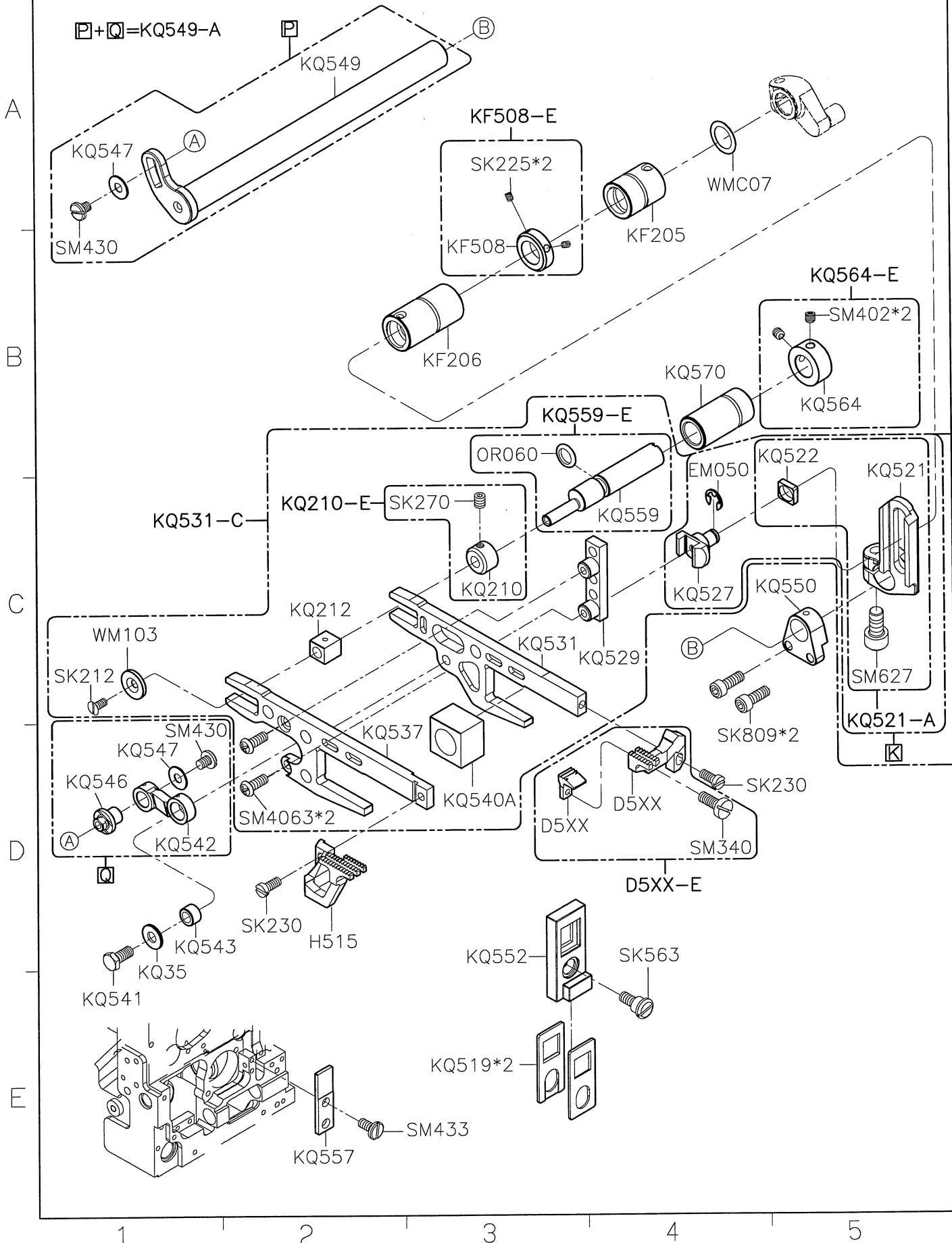
3

4

5

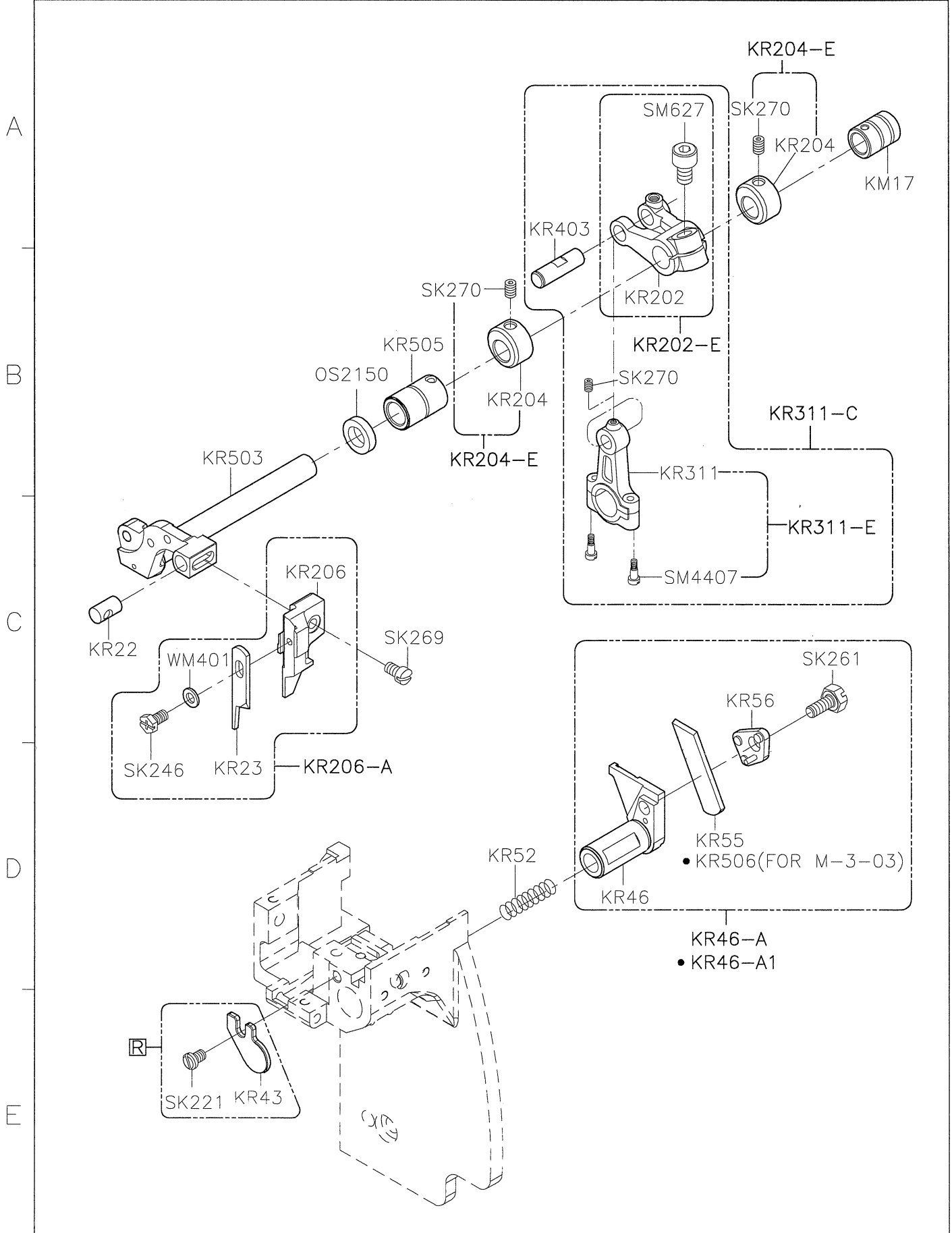


SIRUBA PARTS LIST	Series	Parts Group	Subclass / Remark	Page
	700KS	KQ		1/1
				Date
				2016/08/05

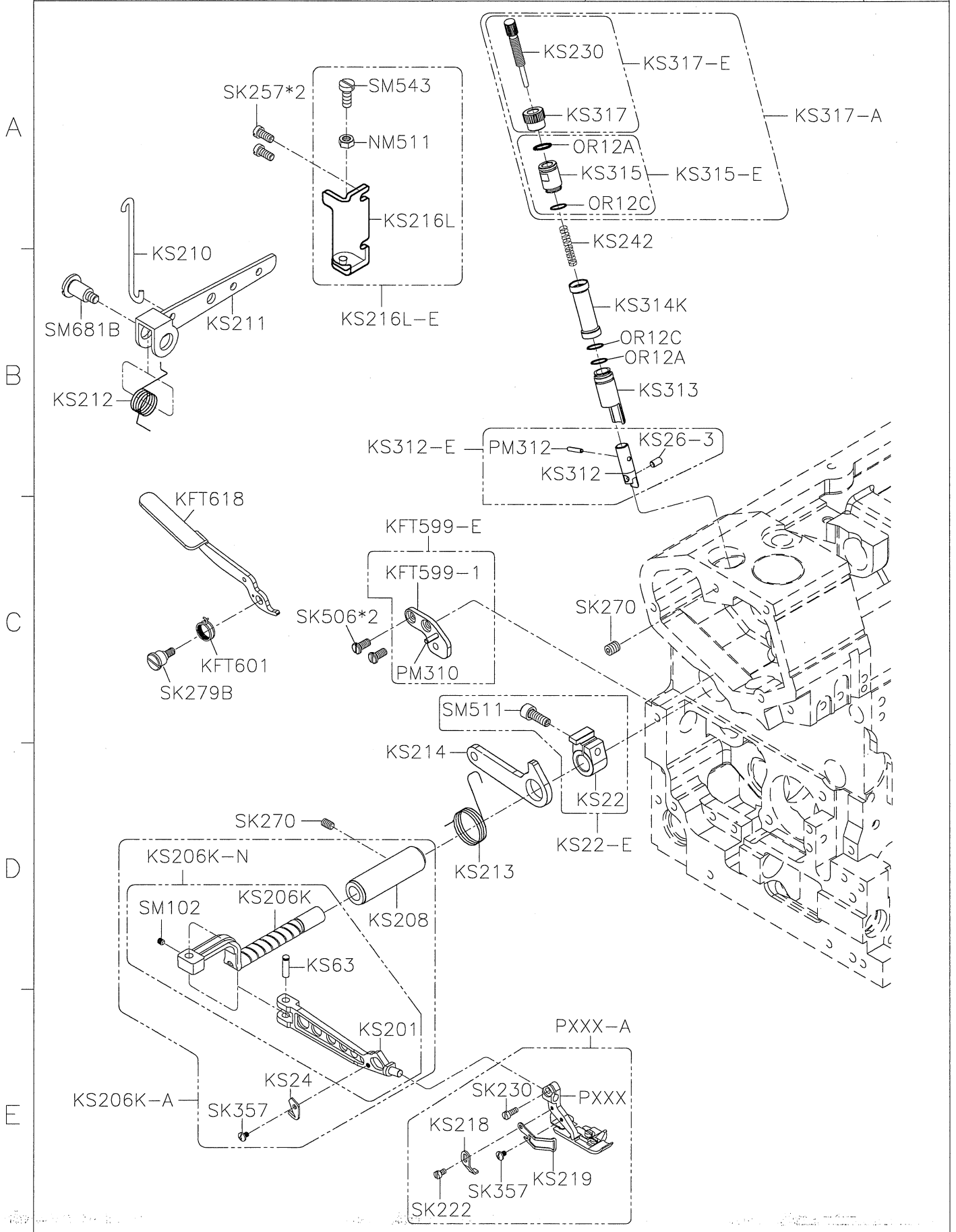


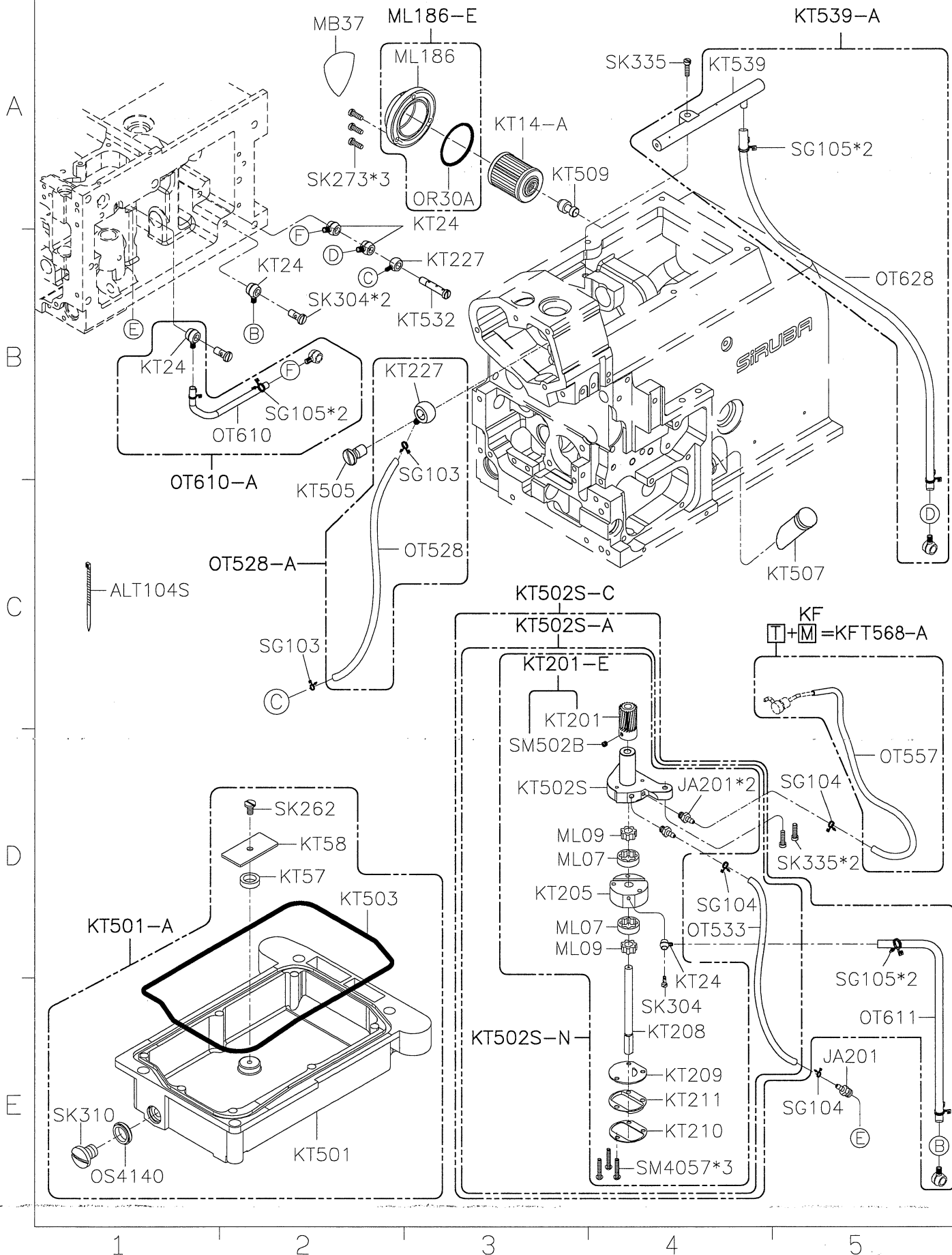


SIRUBA PARTS LIST	Series	Parts Group	Subclass / Remark	Page
	700KS	KR	• Use For 504-M-3-03	1/1
				Date
				2017/10/17

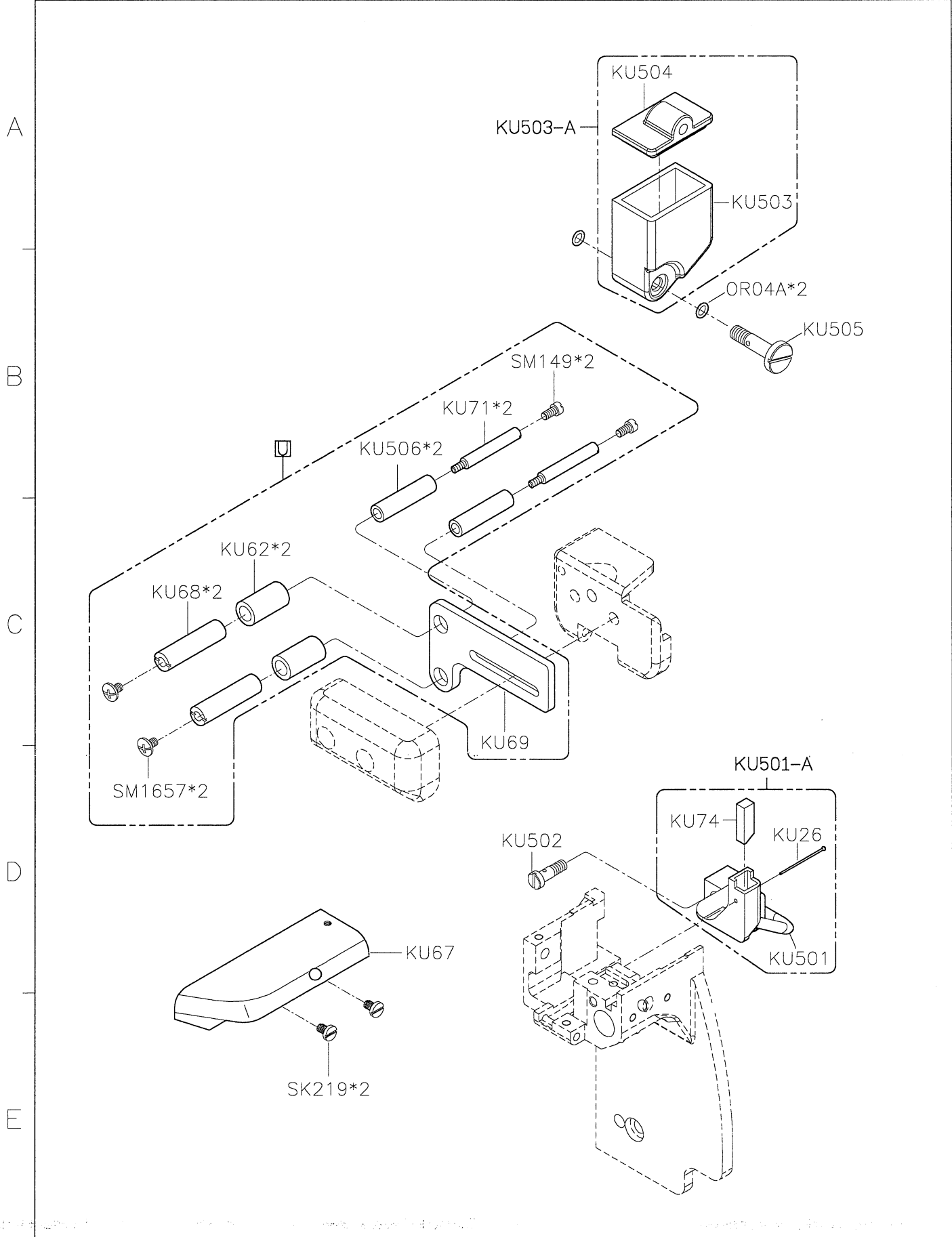


SIRUBA PARTS LIST	Series	Parts Group	Subclass / Remark	Page
	700KS	KS		1/1
				Date
				2018/9/12





<b>SIRUBA</b> PARTS LIST	Series	Parts Group	Subclass / Remark	Page
	700KS	<b>KU</b>		1/2
				Date
				2018/10/12



1

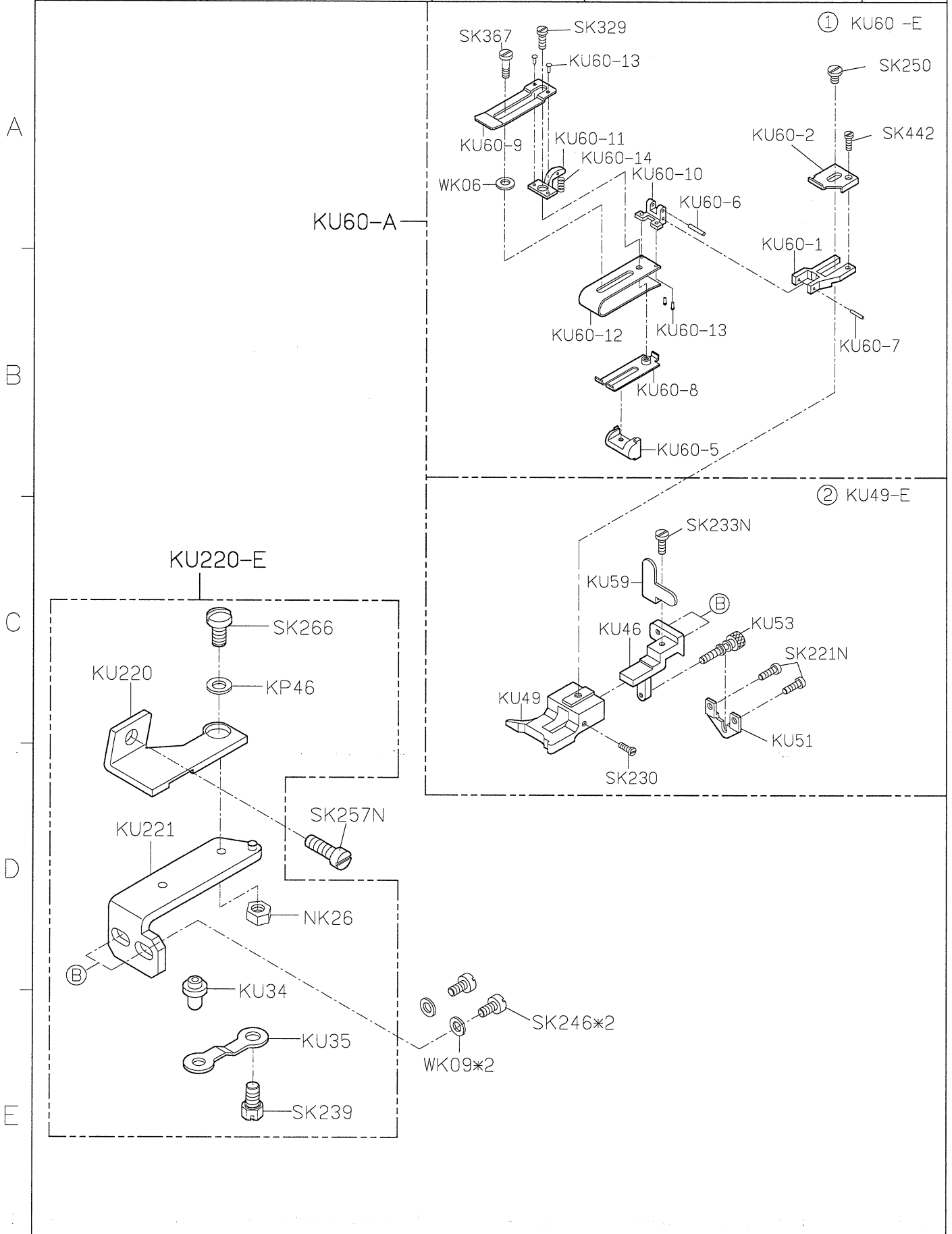
2

3

4

5

SIRUBA PARTS LIST	Series	Parts Group	Subclass / Remark	Page
	700KS	KU	For 505F-02-04用	2/2
				Date 2018/10/12



1

2

3

4

5

<b>SIRUBA</b> PARTS LIST	Series	Parts Group	Subclass / Remark	Page
	拷克	<b>KW</b>		1/4
	Overlock			Date
	含MO6800系列			2017/2/20

KW40E-3

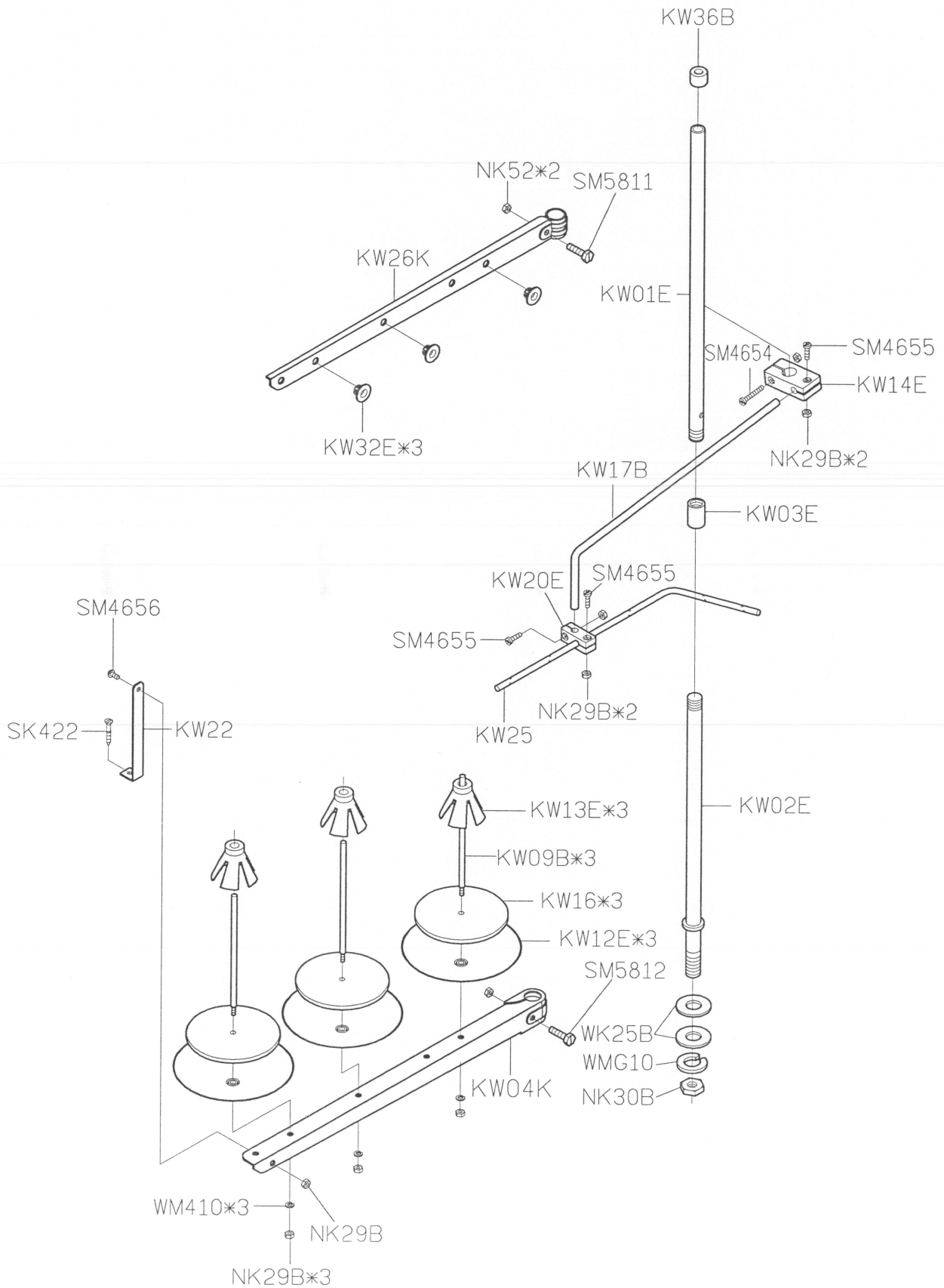
A

B

C

D

E



1

2

3

4

5

<b>SIRUBA</b> PARTS LIST	Series	Parts Group	Subclass / Remark	Page
	拷克	<b>KW</b>		2/4
	Overlock			Date
	含MO6800系列			2017/2/20

KW40E-4

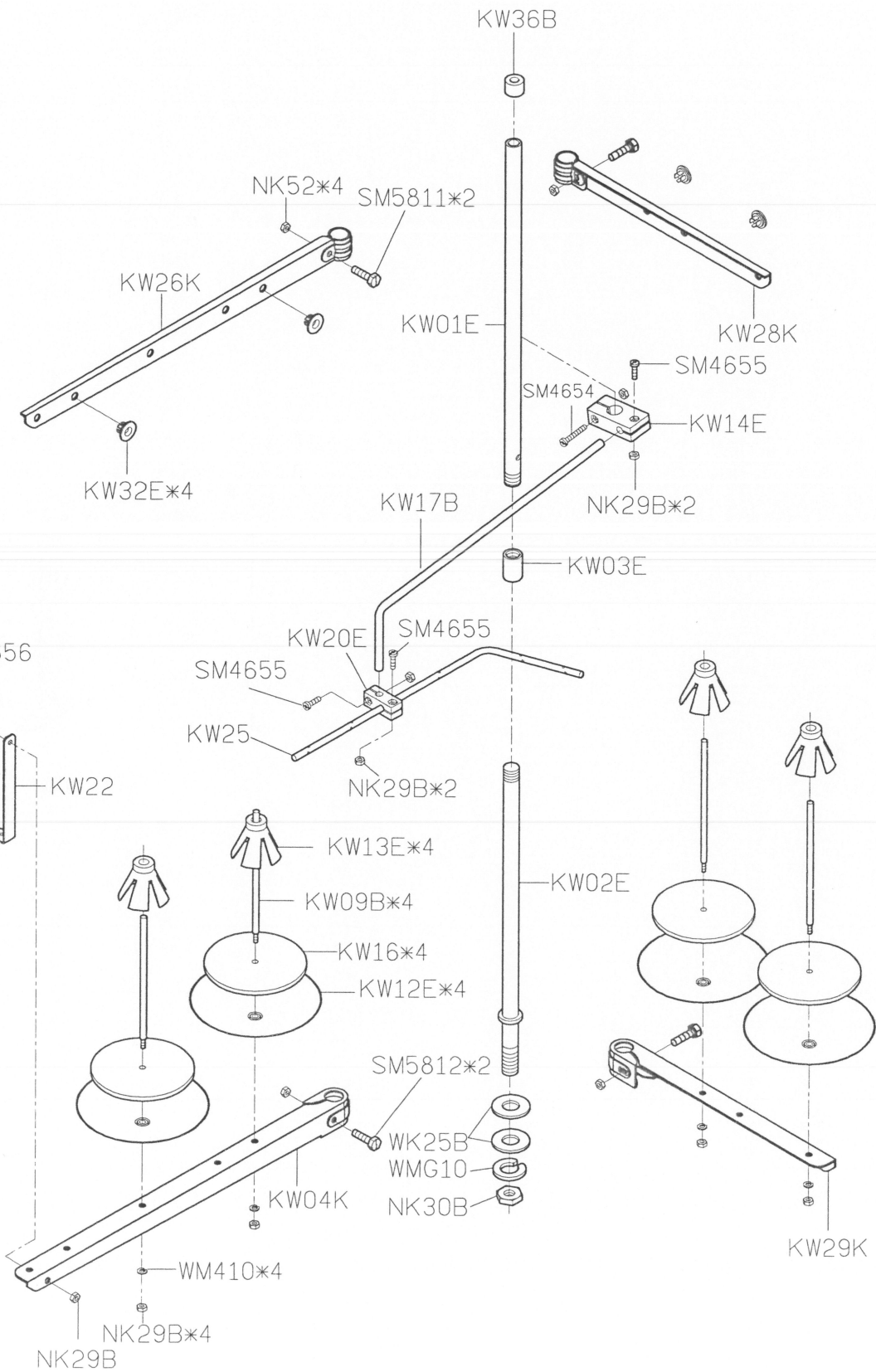
A

B

C

D

E



1

2

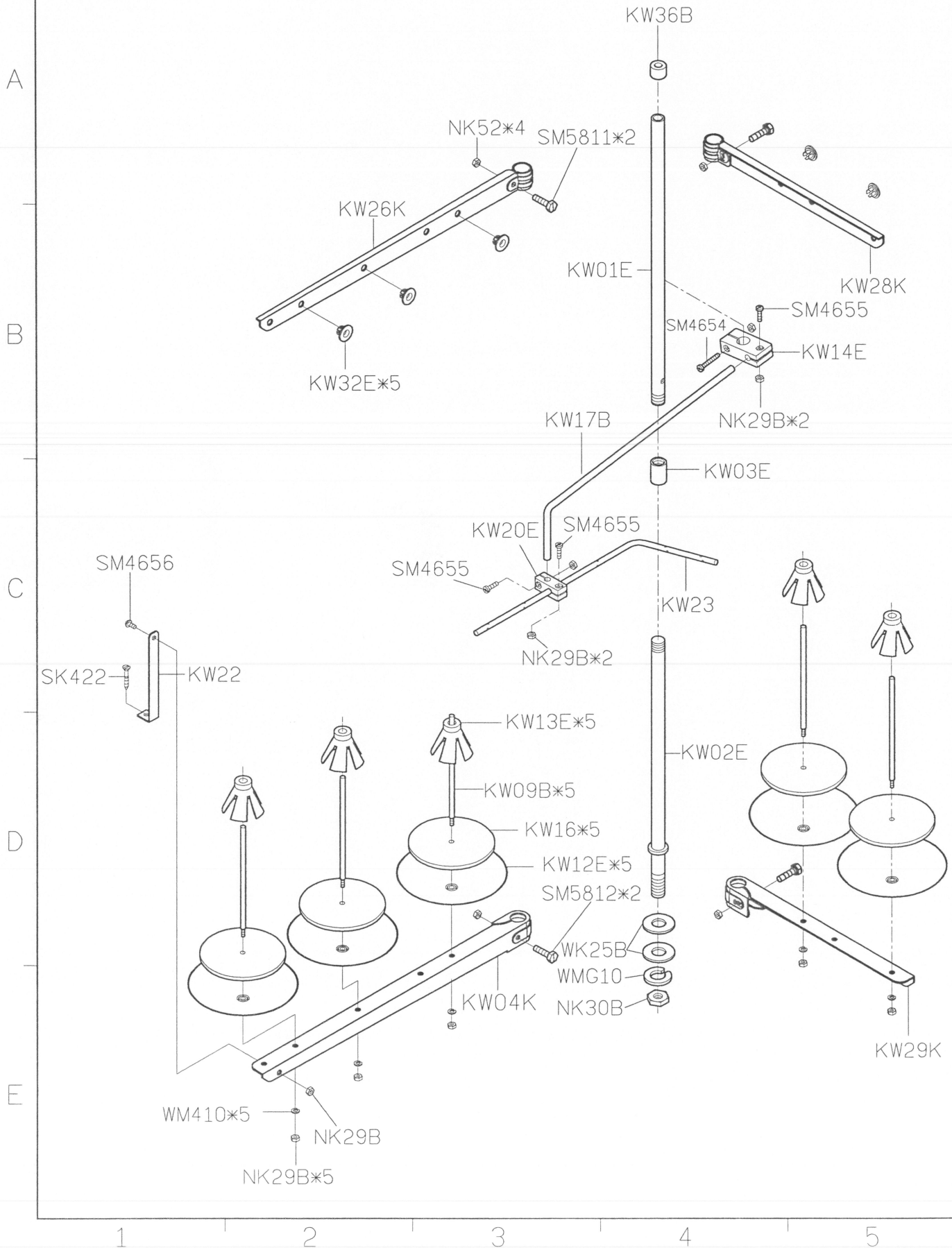
3

4

5

<b>SIRUBA</b> PARTS LIST	Series	Parts Group	Subclass / Remark	Page
	拷克	<b>KW</b>		3/4
	Overlock			Date
	含MO6800系列			2017/2/20

KW40E-5





<b>SIRUBA</b> PARTS LIST	Series	Parts Group	Subclass / Remark	Page
	拷克	<b>KW</b>		4/4
	Overlock			Date
	含MO6800系列			2017/2/20

KW40E-6

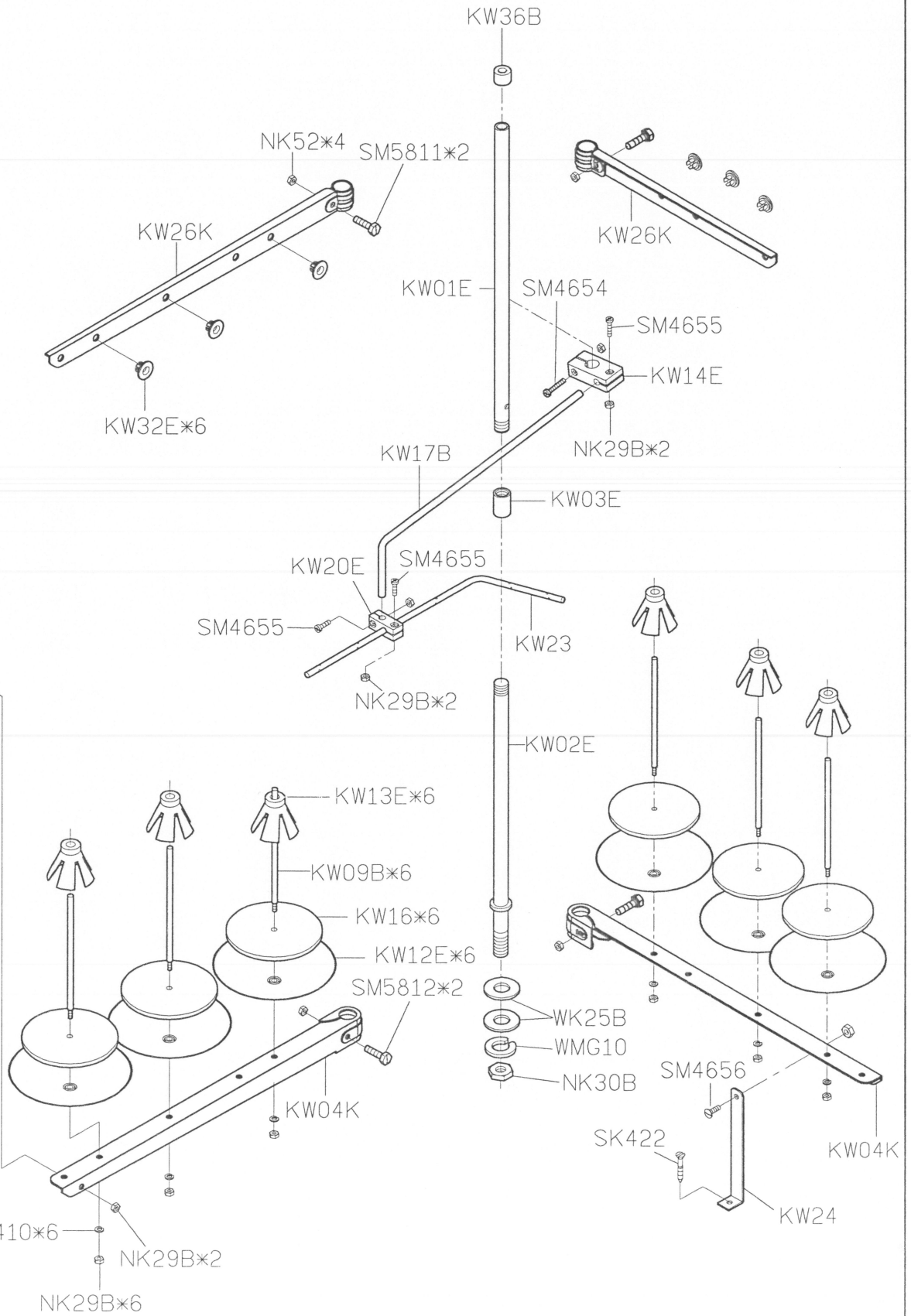
A

B

C

D

E



1

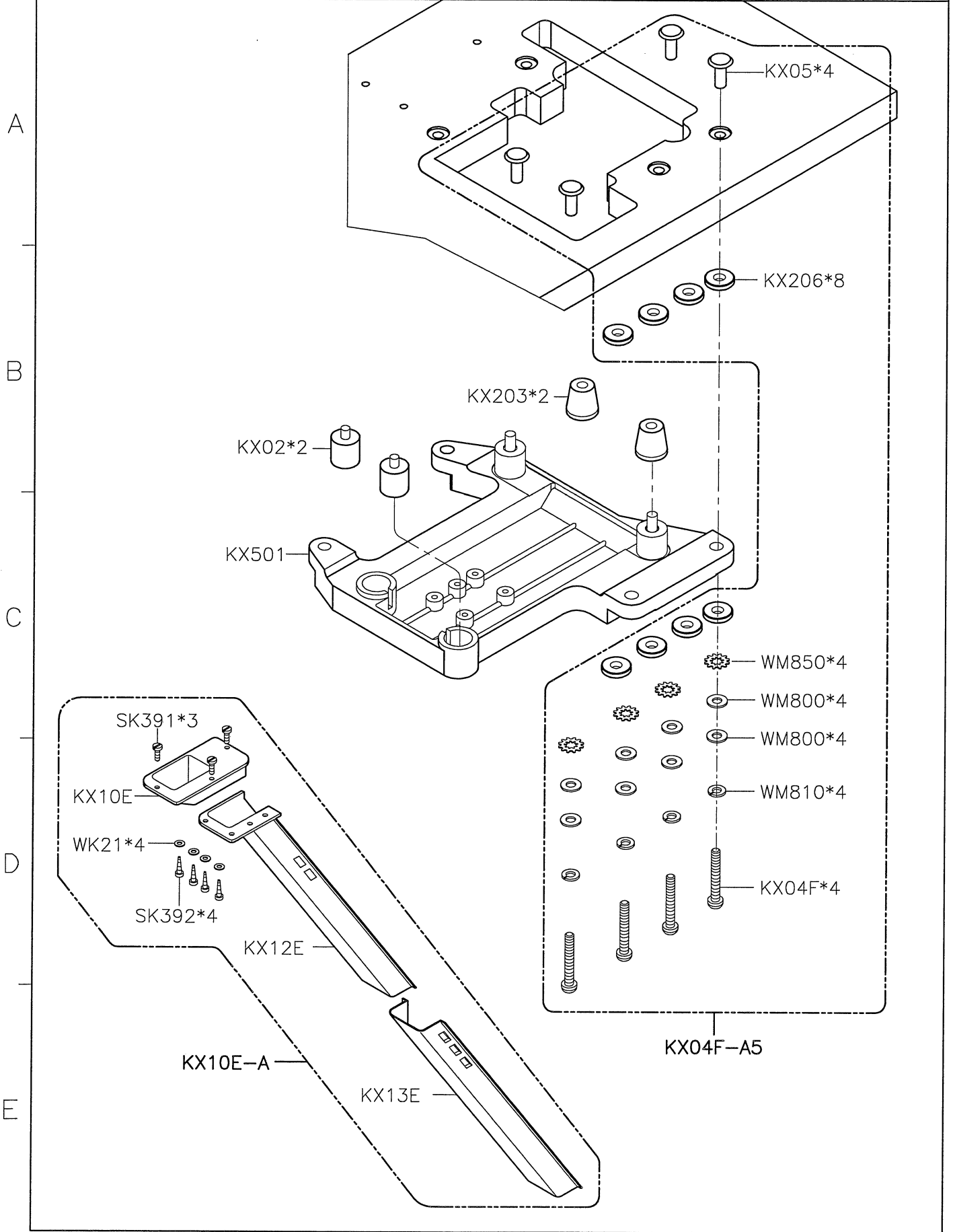
2

3

4

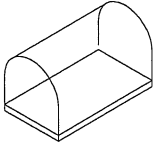
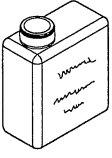


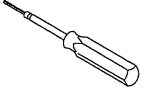
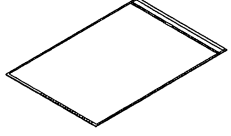
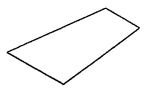
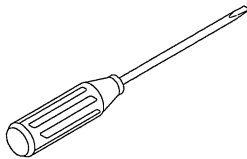


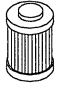
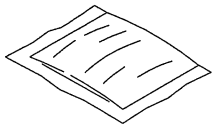


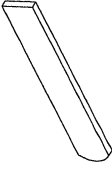
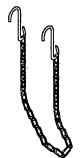
5

<b>SIRUBA</b> PARTS LIST	Series	Parts Group	Subclass / Remark	Page
	700KS	<b>KX</b>		1/1
				Date
				2014/03/05

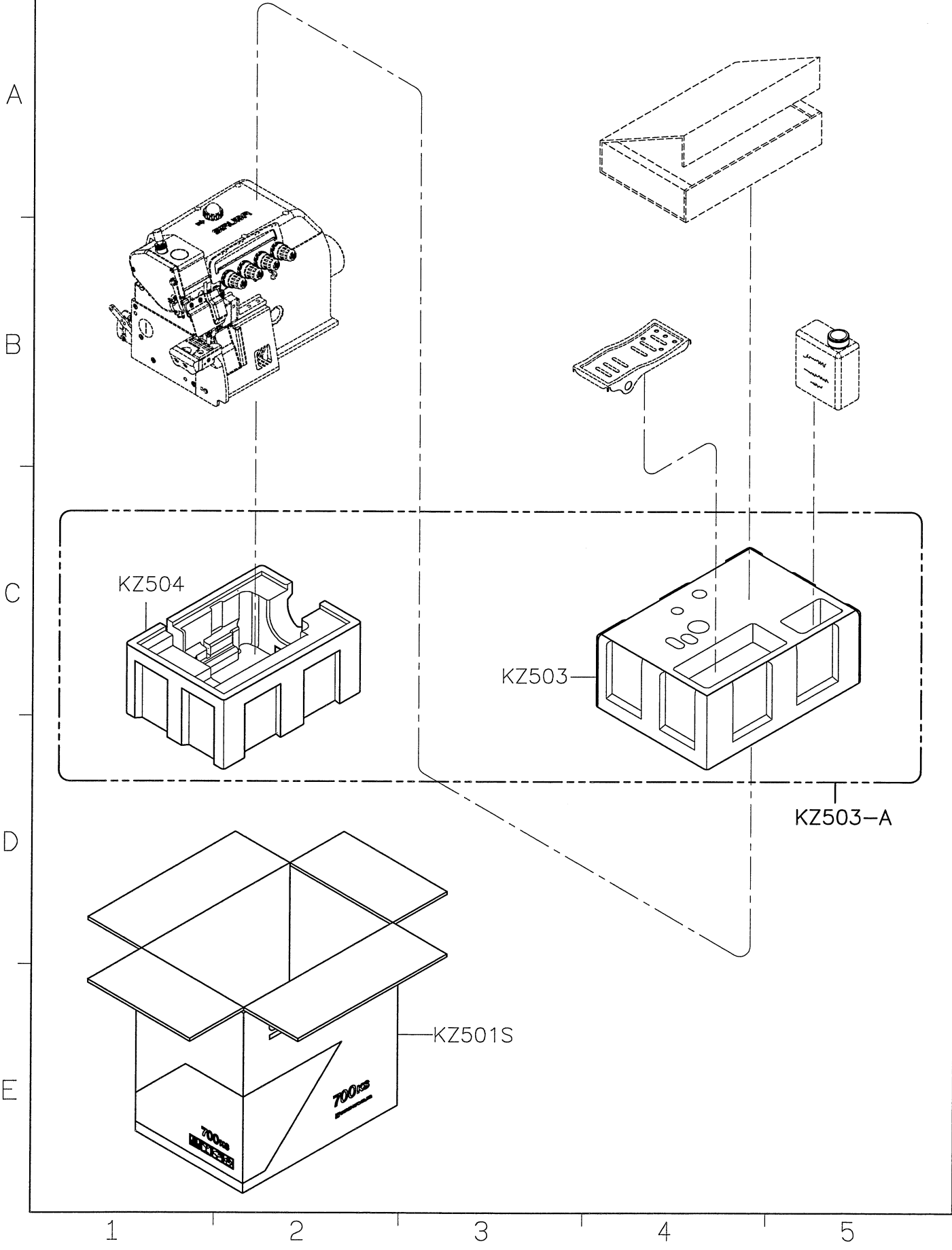


1                      2                      3                      4                      5

SIRUBA PARTS LIST	Series	Parts Group	Subclass / Remark	Page
	700KS	KY		1/1
				Date
				2018/7/24

A     B     C     D     E	<p>KY01-1 防塵罩</p> 	<p>KY02F-A 油罐</p> 	<p>KY03 油壺</p> 	<p>KY04 漏斗</p> 	<p>KY14 內六角螺絲起子</p> 
	<p>KY201JK 工具袋</p> 	<p>KY30 針板紙</p> 	<p>LY33 一字起子</p> 	<p>KY18 鑷子</p> 	<p>SK216 螺絲</p> 
	<p>KT14-A 濾油器</p> 	<p>KZ03 乾燥劑</p> 	<p>針*5 車針</p> 	<p>LY35 一字起子</p> 	<p>KR55 下刀片</p> 
	<p>KY21-A/MY21-A 鉤子/鍊條</p> 				
	1	2	3	4	5

<b>SIRUBA</b> PARTS LIST	Series	Parts Group	Subclass / Remark	Page
	700KS	<b>KZ</b>		1/1
				Date
				2014/03/03



**SIRUBA**

TABLE  
CUT - OUT

Series

700KS/T

Item Code

700KS-T

Subclass Remark

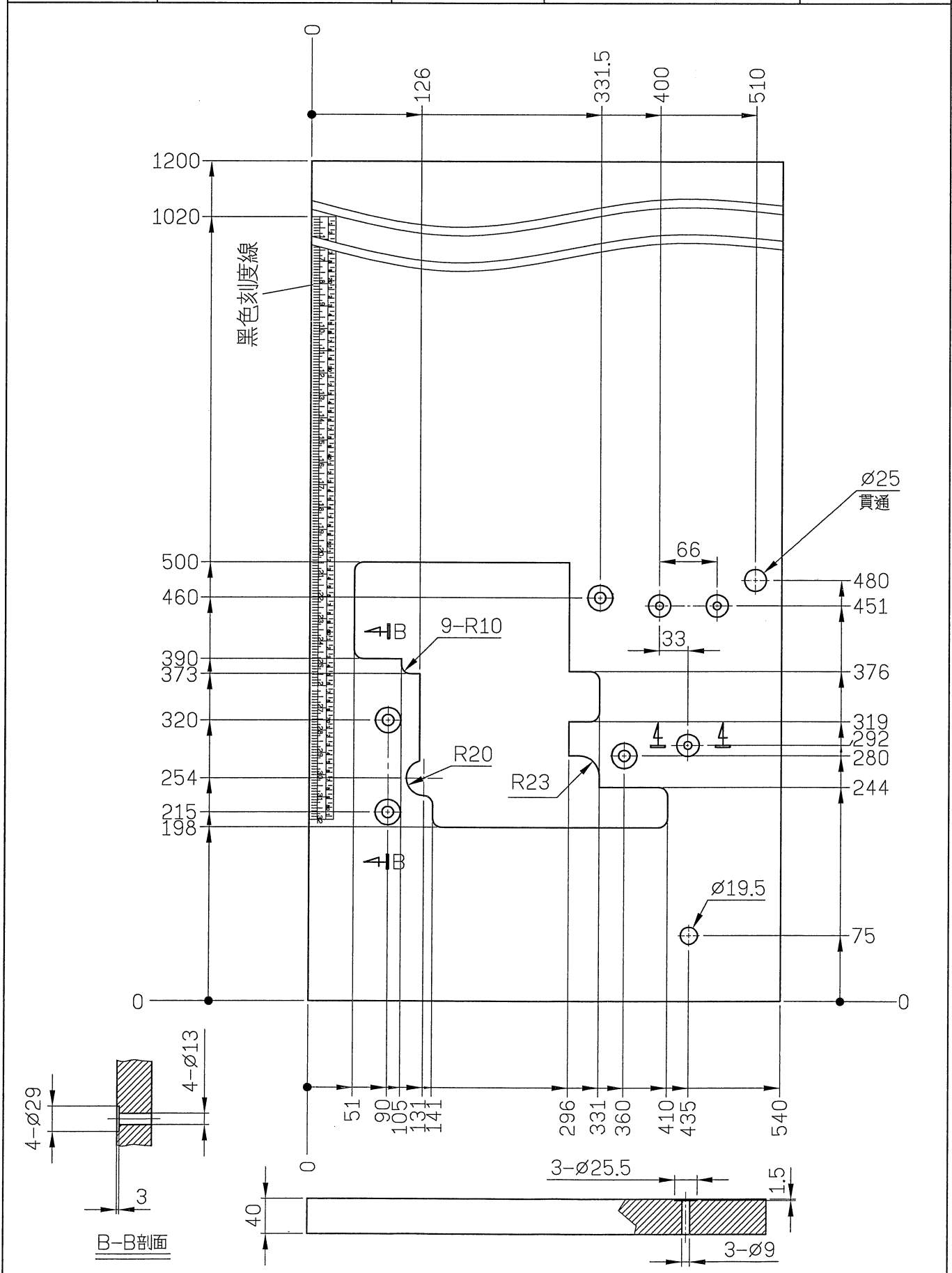
UNIT: mm  
TOLERANCE:  $\pm 2$   
WEIGHT: 11.6 kg  $\pm 5\%$

Mounting

Semi-submerged

Date

2014/06/18



**SIRUBA**

TABLE  
CUT - OUT

Series

700KS/T

Item Code

700KS-T1

Subclass Remark

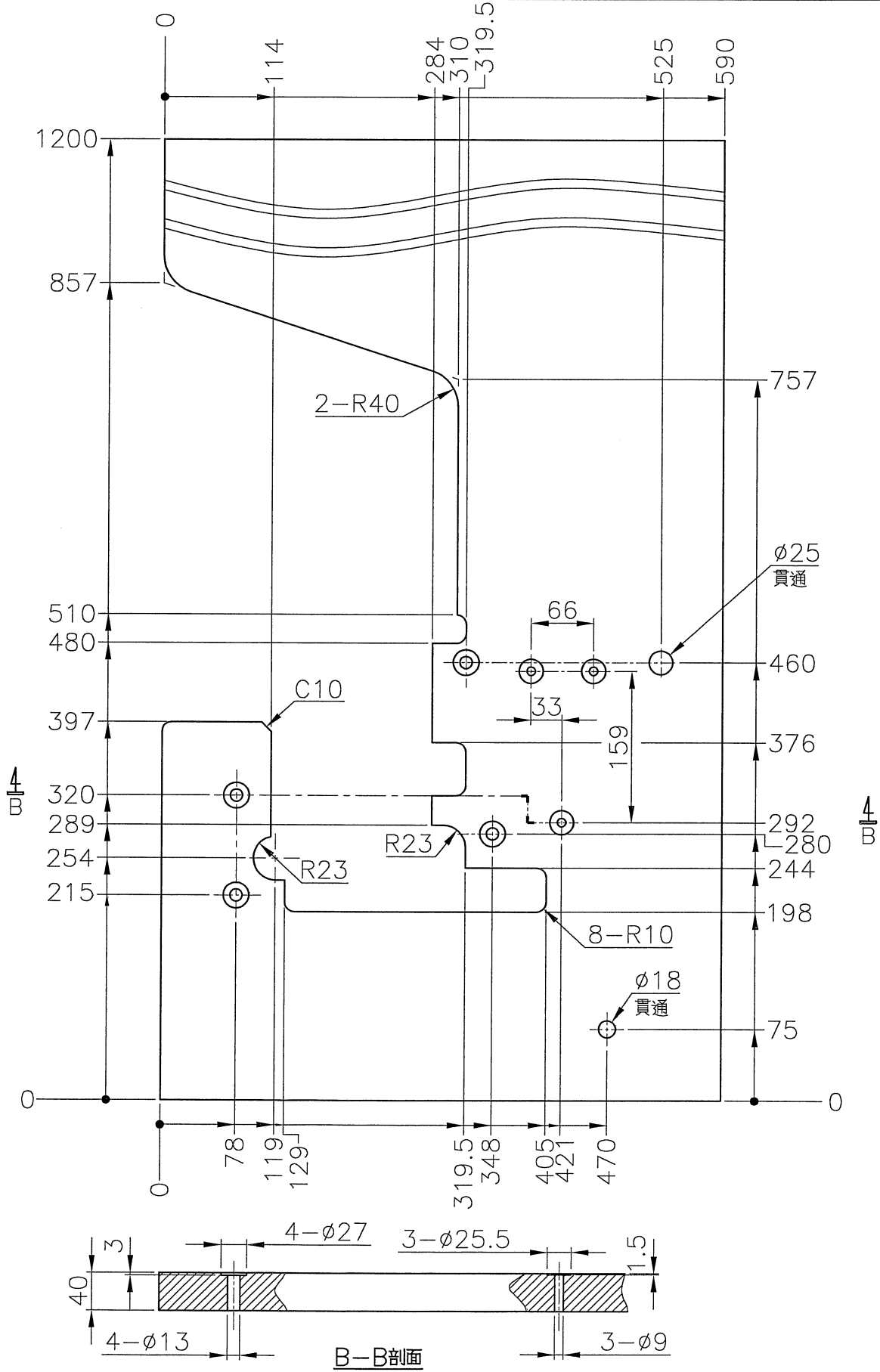
UNIT: mm  
TOLERANCE:  $\pm 2$   
WEIGHT: 11.6 kg  $\pm 5\%$

Mounting

Semi-submerged

Date

2013/09/30



**SIRUBA**

TABLE  
CUT - OUT

Series

700KS/T

Item Code

700KS-T2

Subclass Remark

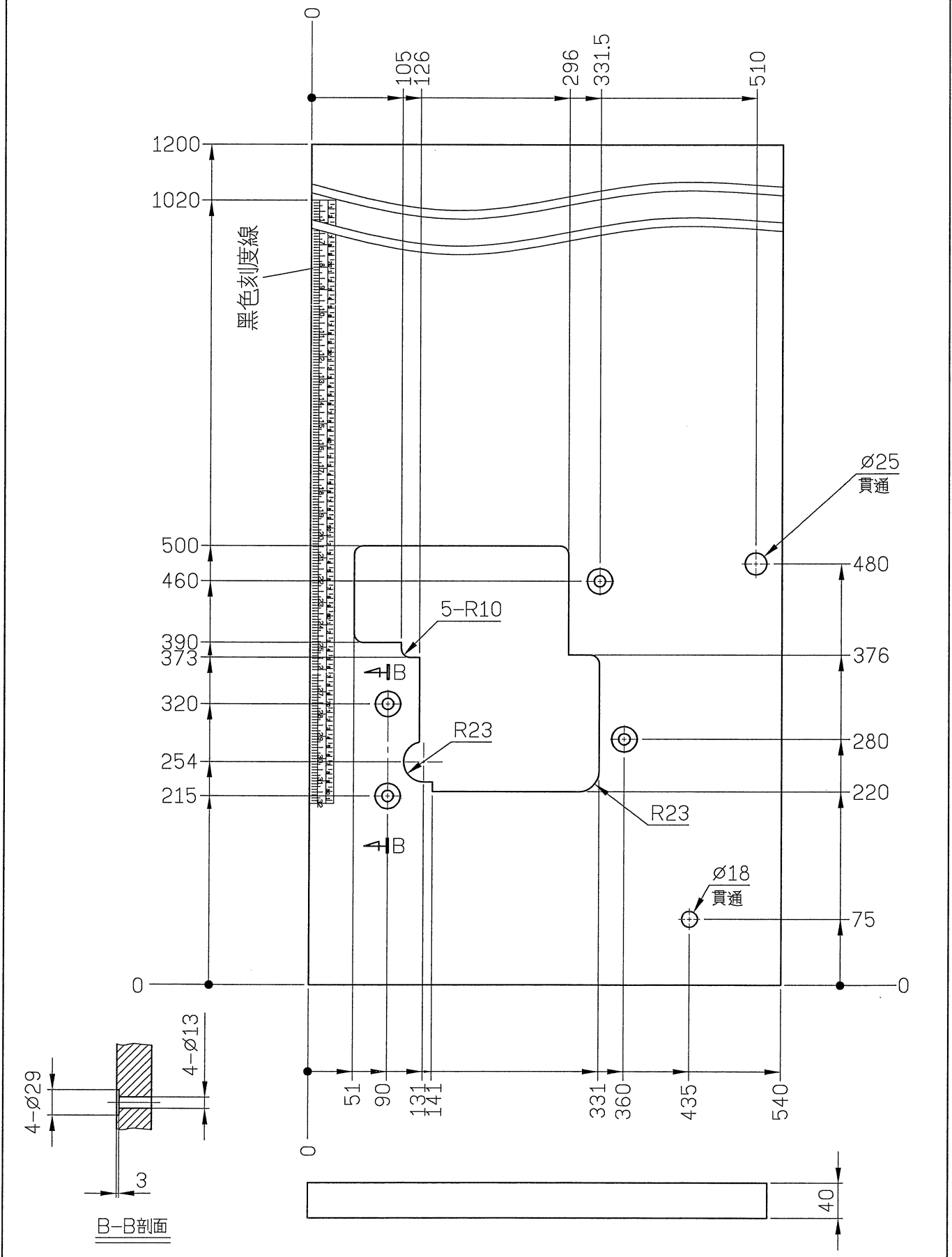
UNIT: mm  
TOLERANCE:  $\pm 2$   
WEIGHT: 11.6 kg  $\pm 5\%$

Mounting

Semi-submerged  
installation

Date

2014/06/18



**SIRUBA**TABLE  
CUT - OUT

Series

700KS/T

Item Code

700KS-T3

Subclass Remark

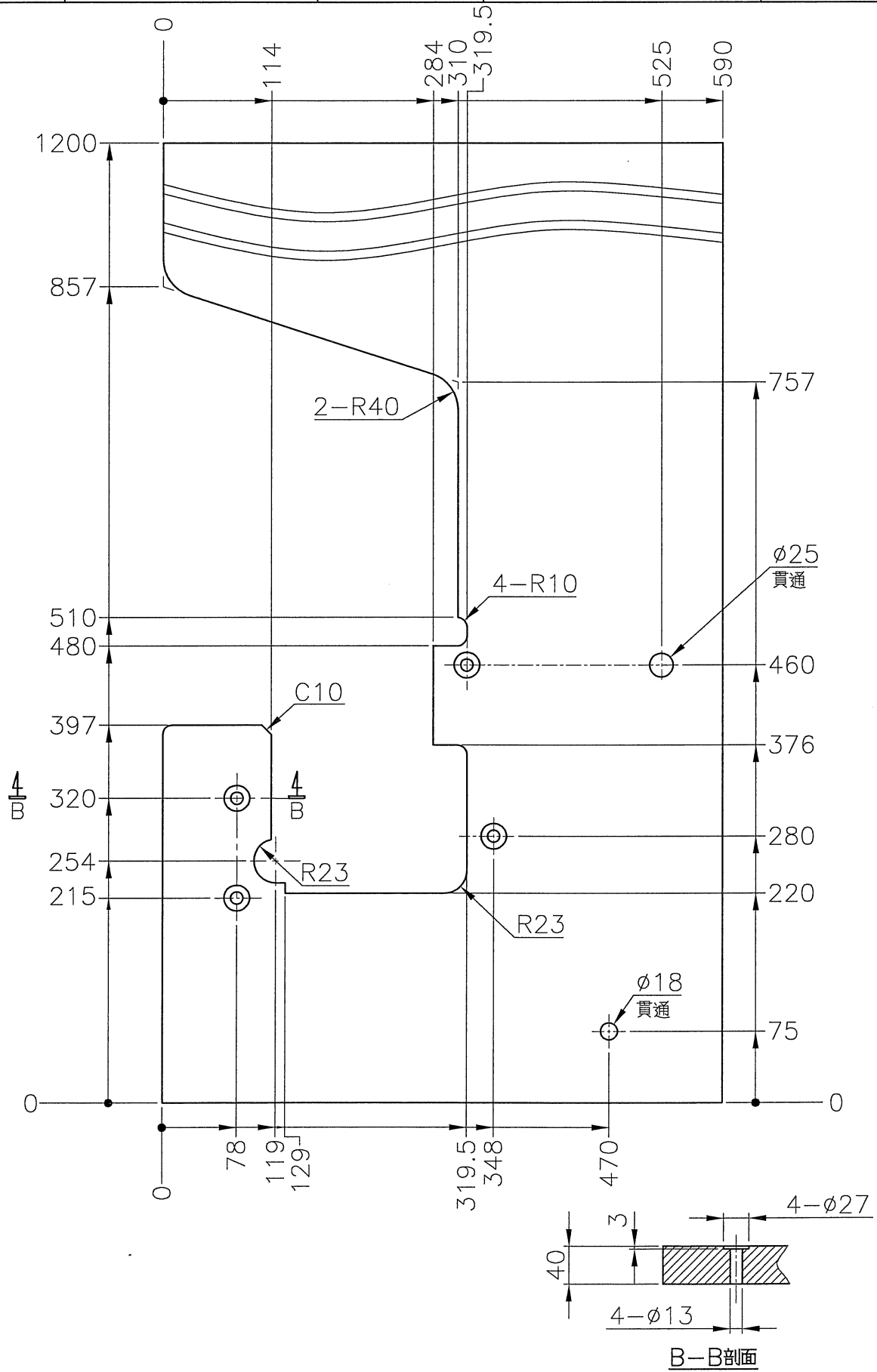
UNIT: mm  
TOLERANCE:  $\pm 2$   
WEIGHT: 11.6 kg  $\pm 5\%$ 

Mounting

Semi-submerged  
installation

Date

2014/06/05





**SIRUBA**

TABLE  
CUT - OUT

Series

700KS/T

Item Code

700KS-T4

Subclass Remark

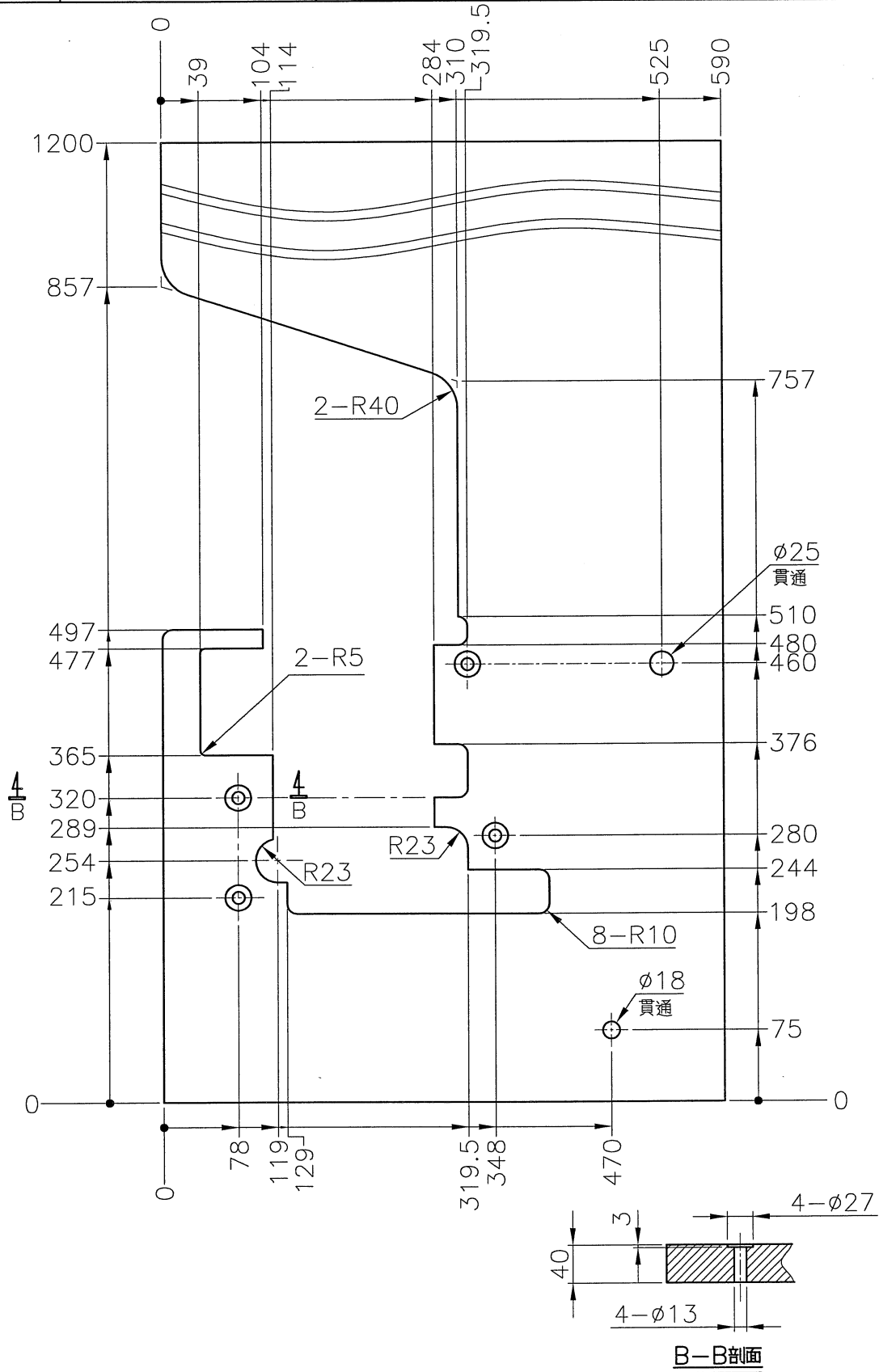
UNIT: mm  
TOLERANCE:  $\pm 2$   
WEIGHT: 11.6 kg  $\pm 5\%$

Mounting

Semi-submerged  
installation

Date

2016/08/08



**SIRUBA**

TABLE  
CUT - OUT

Series

700KS/T

Item Code

700KS-T5

Subclass Remark

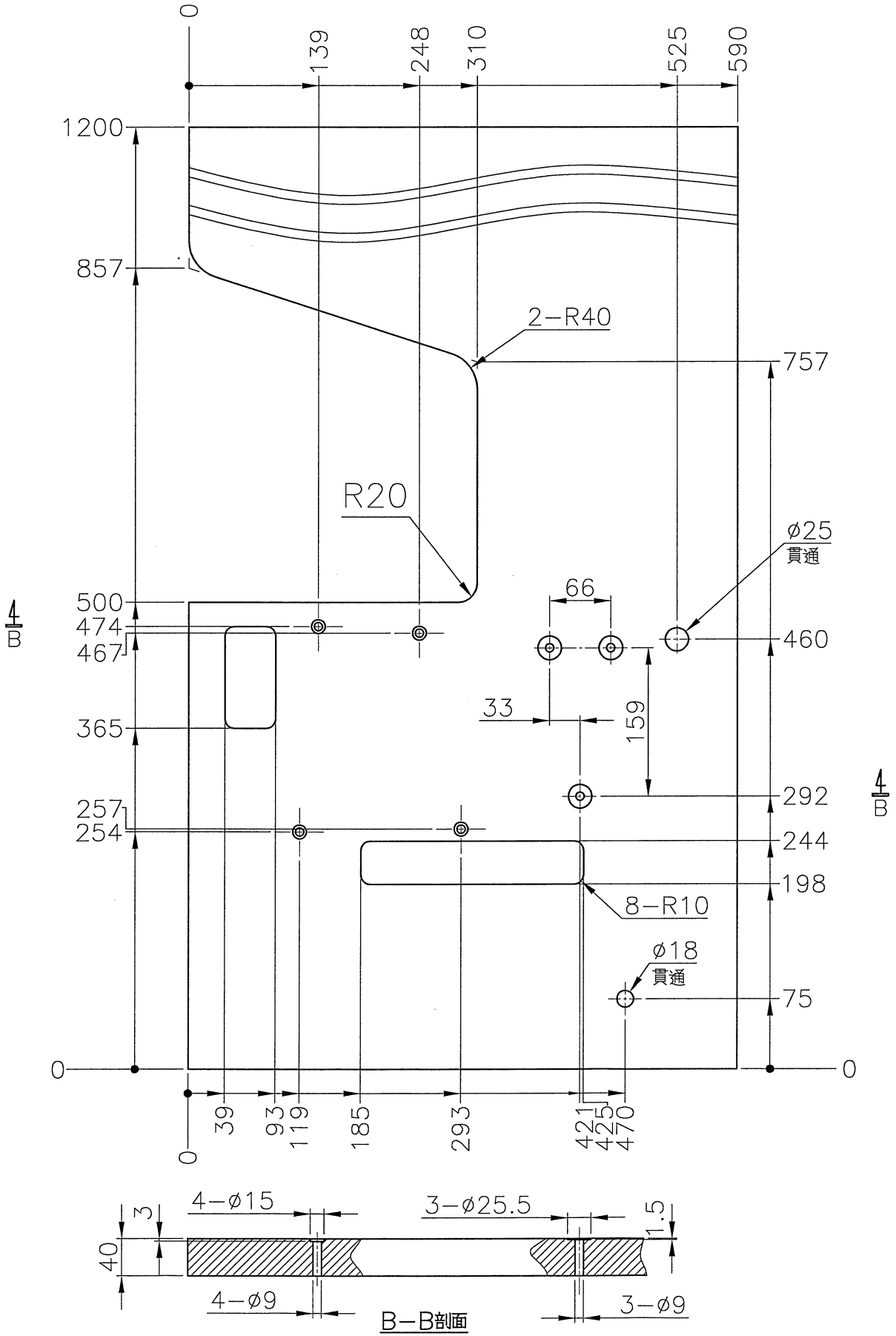
UNIT: mm  
TOLERANCE:  $\pm 2$   
WEIGHT: 11.6 kg  $\pm 5\%$   
For:LFD M/C 需配SM899-A

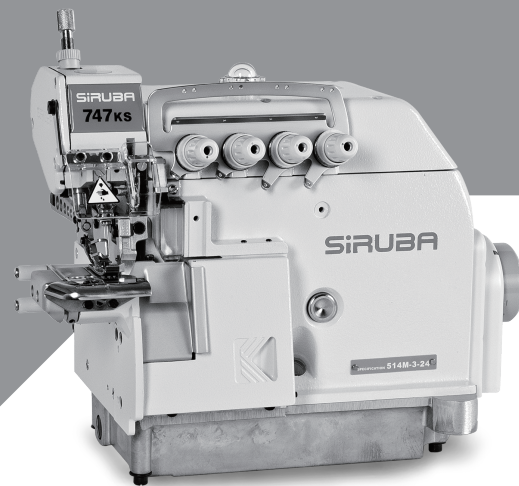
Mounting

Non-submerged

Date

2014/10/17





 高林股份有限公司  
KAULIN MFG. CO., LTD.

由於對產品的改良及更新，本產品使用說明書中與零件圖之產品及外觀的修改恕不事先通知！  
The specification and/or appearances of the equipment described in this instruction book & parts list are subject to change because of modification which will without previous notice.  
700KS.OCT.2014