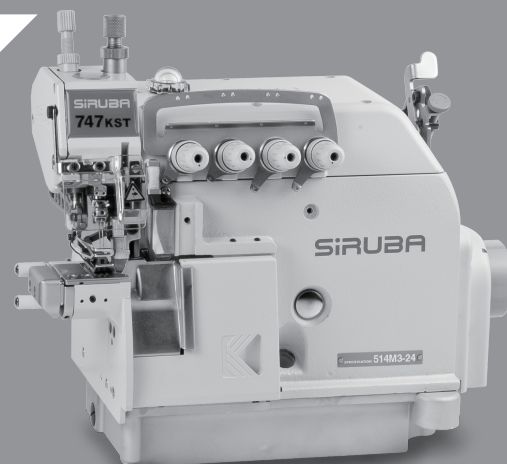


SIRUBA

輔助件

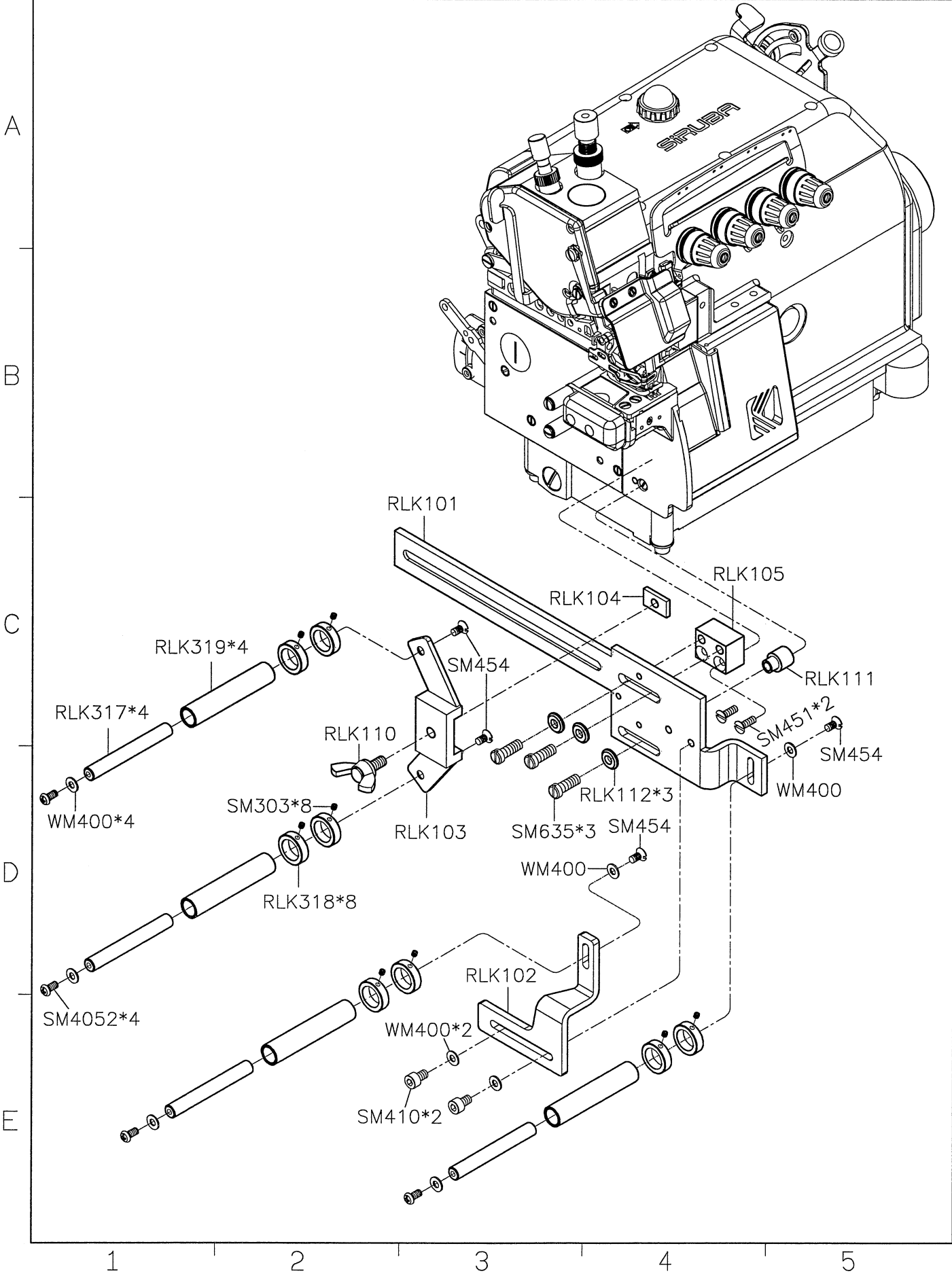
AUXILIARY PARTS

■ 700KST



CE

SIRUBA PARTS LIST	Series	Parts Group	Subclass / Remark	Page
	700KS/700KST	RLK1		1/1
				Date
				2013/12/12



SIRUBA

PARTS LIST

Series

700KS/700KST

Parts Group

RLK2

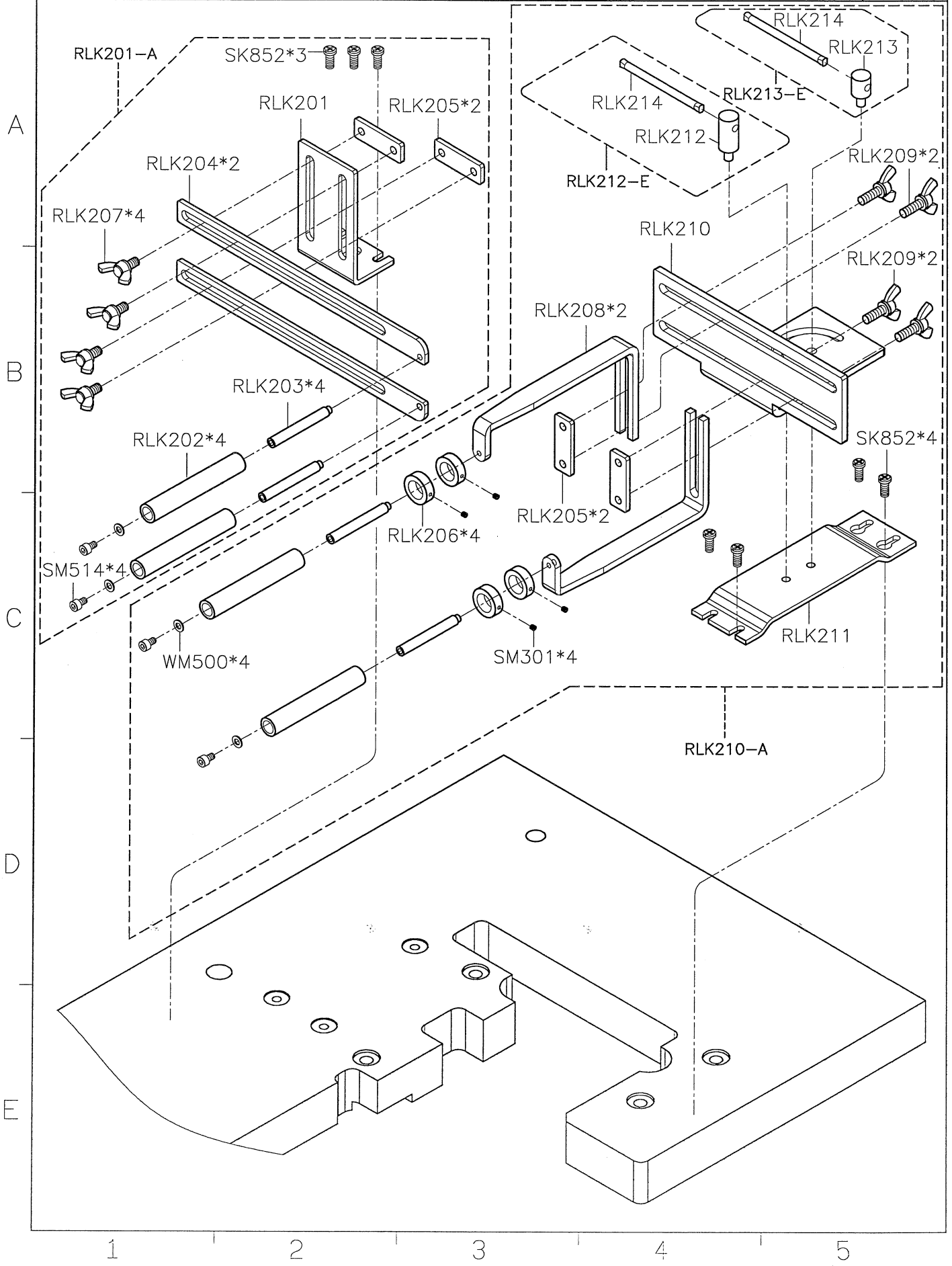
Subclass / Remark

Page

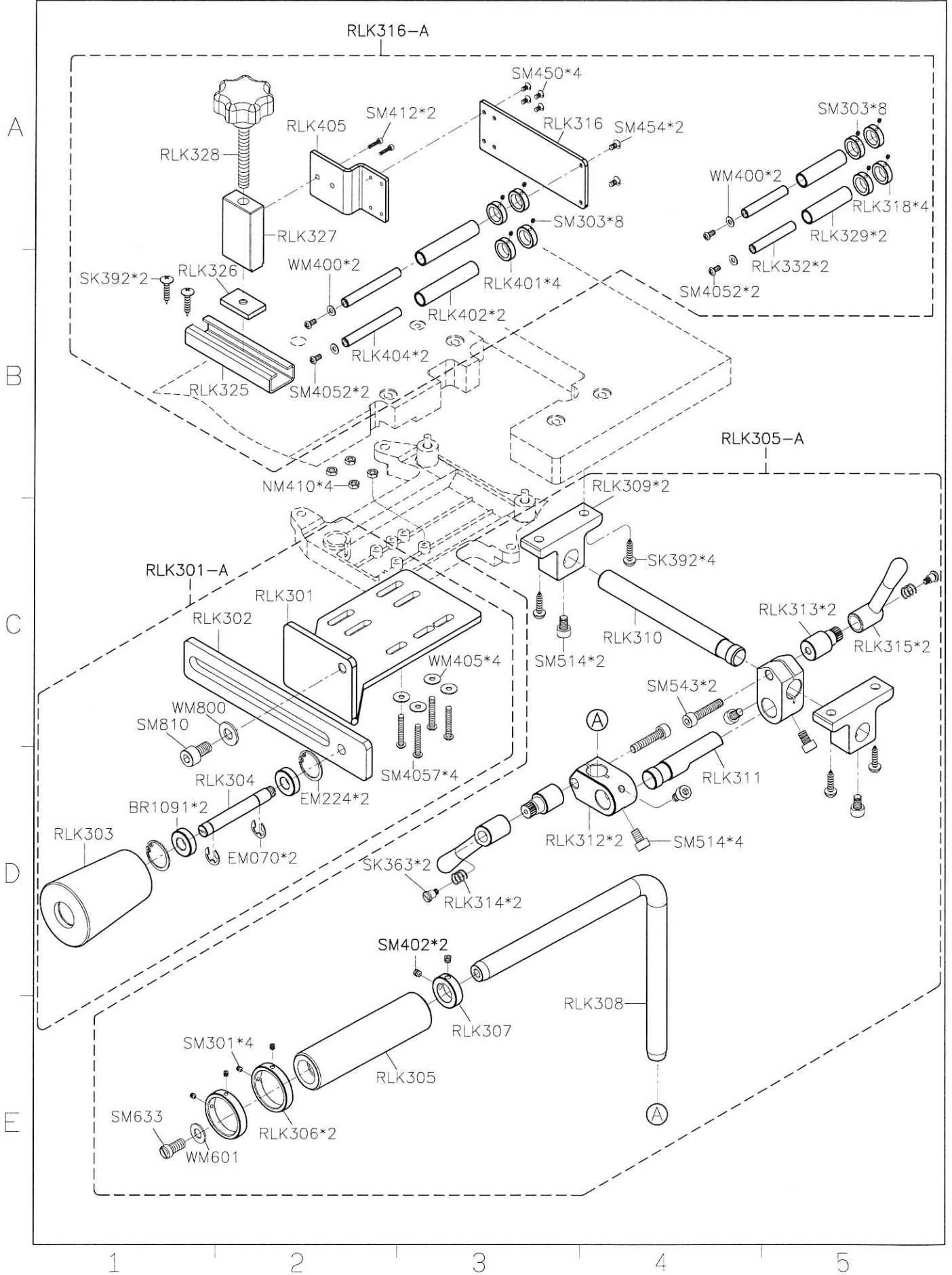
1/1

Date

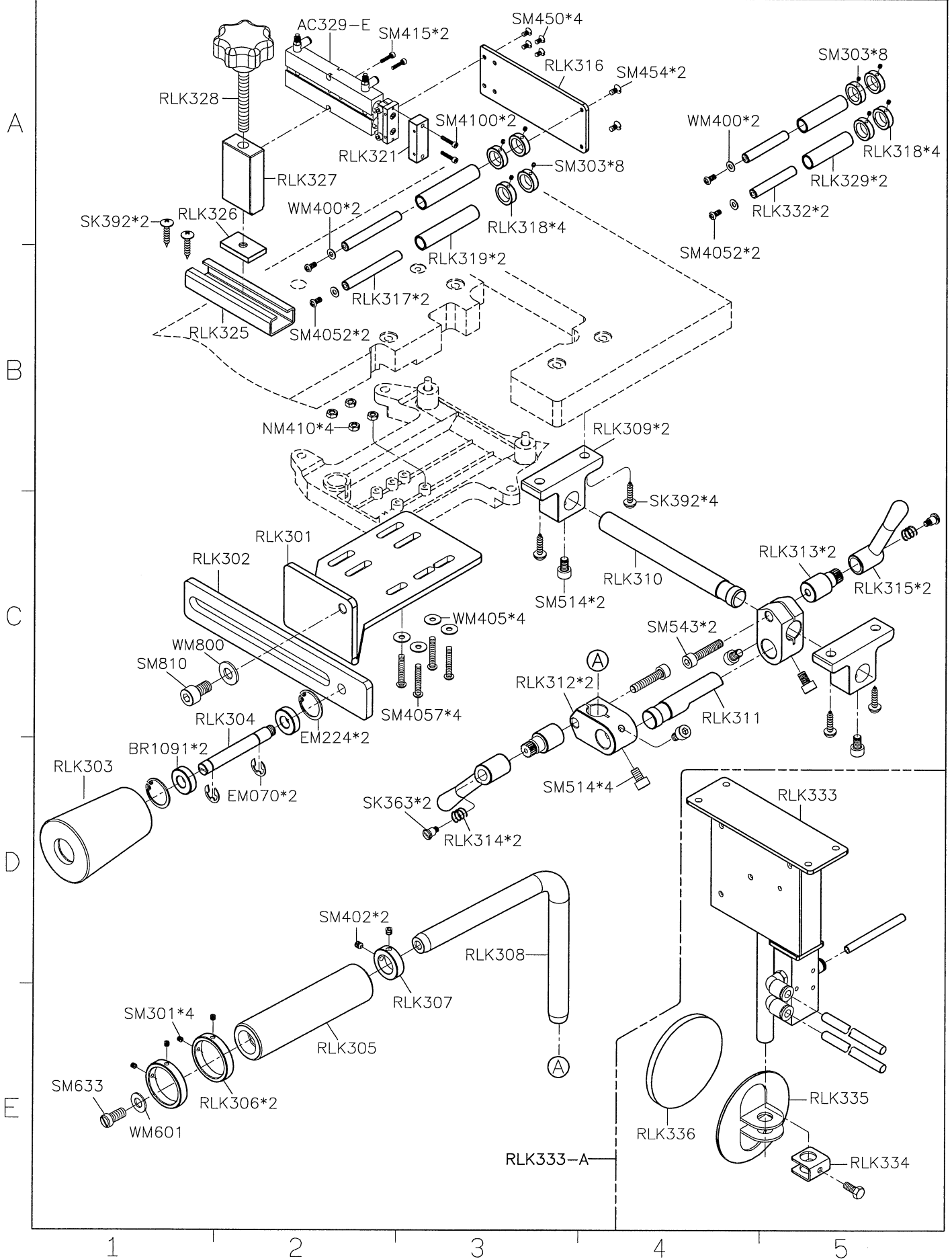
2016/03/02



SIRUBA PARTS LIST	Series	Parts Group	Subclass / Remark	Page
	700KS/700KST	RLK3		1/1
				Date
				2016/03/02



SIRUBA PARTS LIST	Series	Parts Group	Subclass / Remark	Page
	700KS/700KST	RLK3P		1/1
				Date
				2015/07/17



A

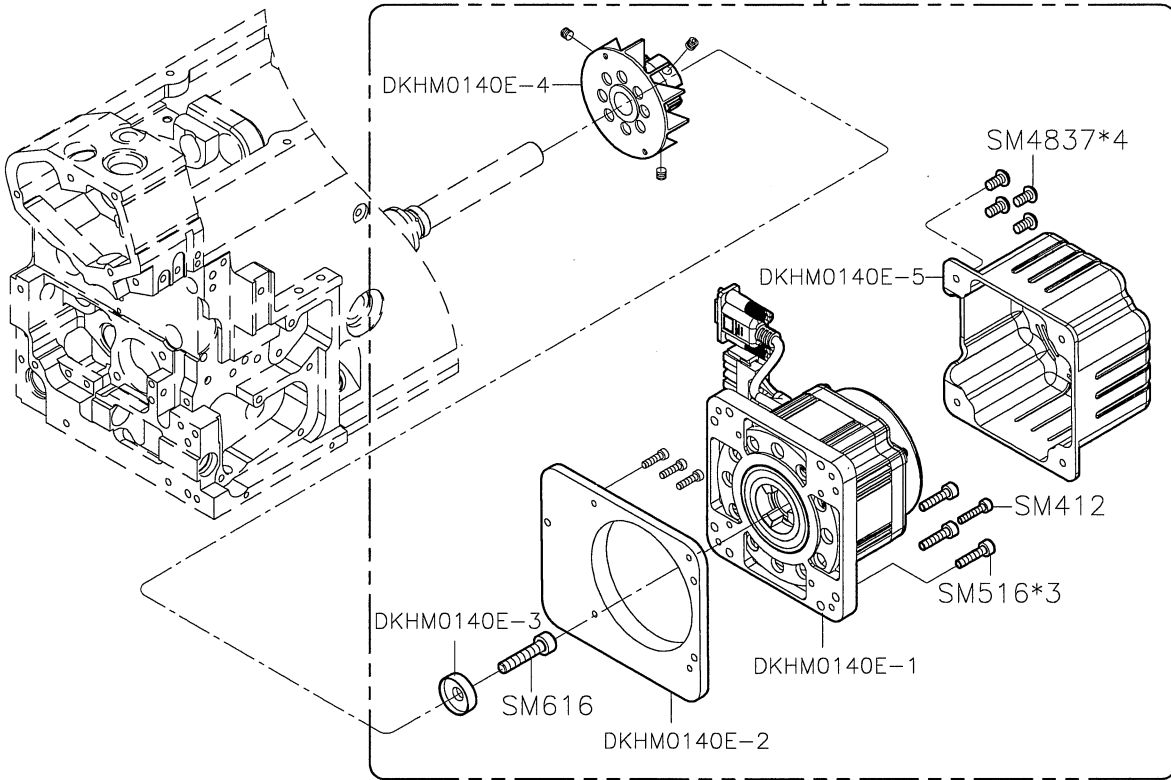
B

C

D

E

#DKHM0140E-E



CY110-A

CY110-E

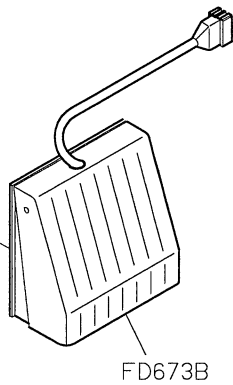
CY110

WM600*2

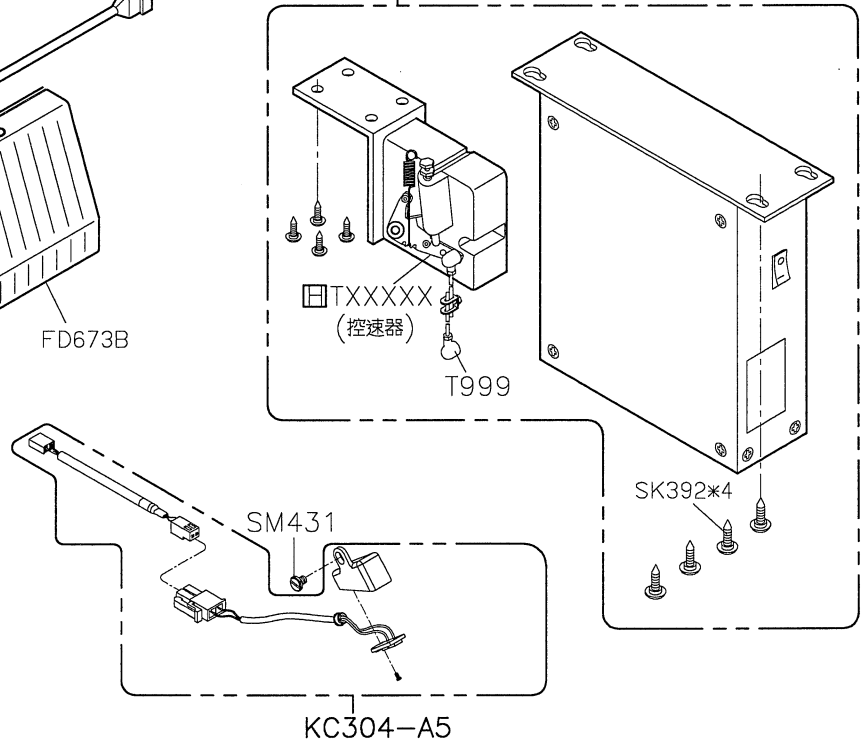
SK392*2

SM430*2

WM400*2



#DKH306ADE-E



SIRUBA PARTS LIST	Series	Parts Group	Subclass / Remark	Page
	700KST	RSK		3/5
				Date
				2017.10.20

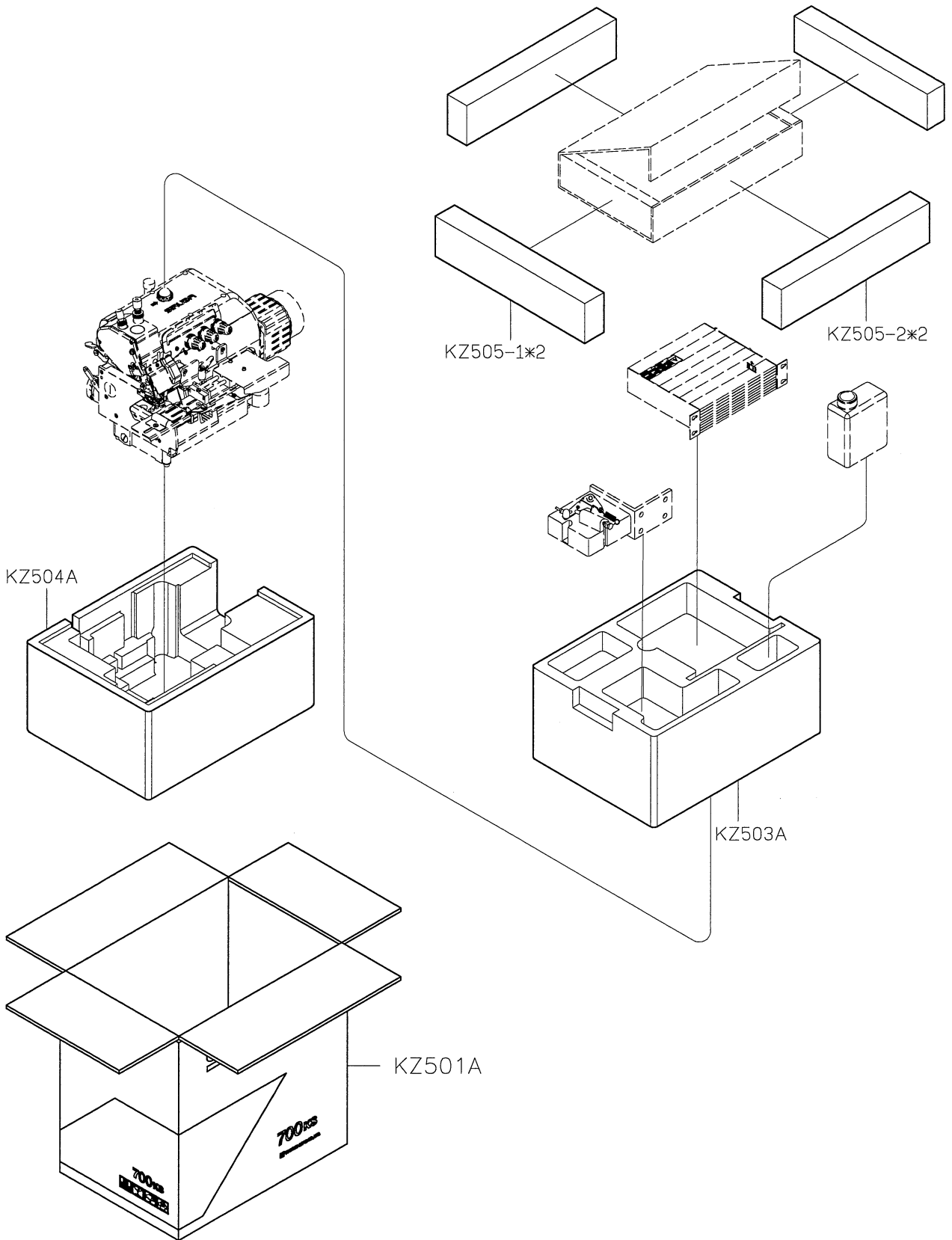
A

B

C

D

E



1

2

3

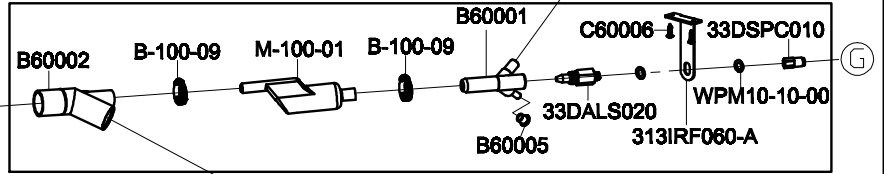
4

5

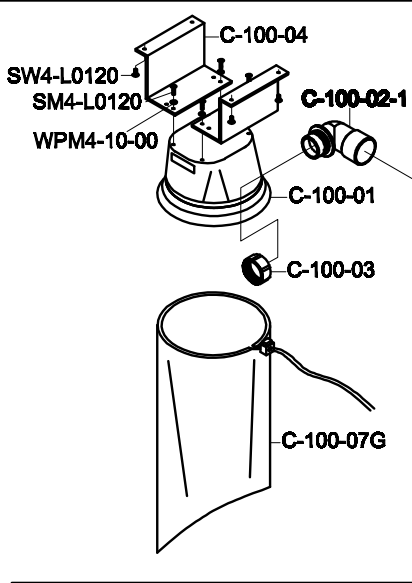
SIRUBA PARTS LIST	Series	Parts Group	Subclass / Remark	Page
	700KST	RSK	Note 註記: 1) ★ Before installation, please check one side is Air IN, another side is Air OUT. 2) 空氣有效使用壓力 Effective air pressure: 4-6 kg/cm 3) 請確認修補管子長度，以達到風力最佳效能。	4/5
				Date
				2020/09/16

TUA-41ST

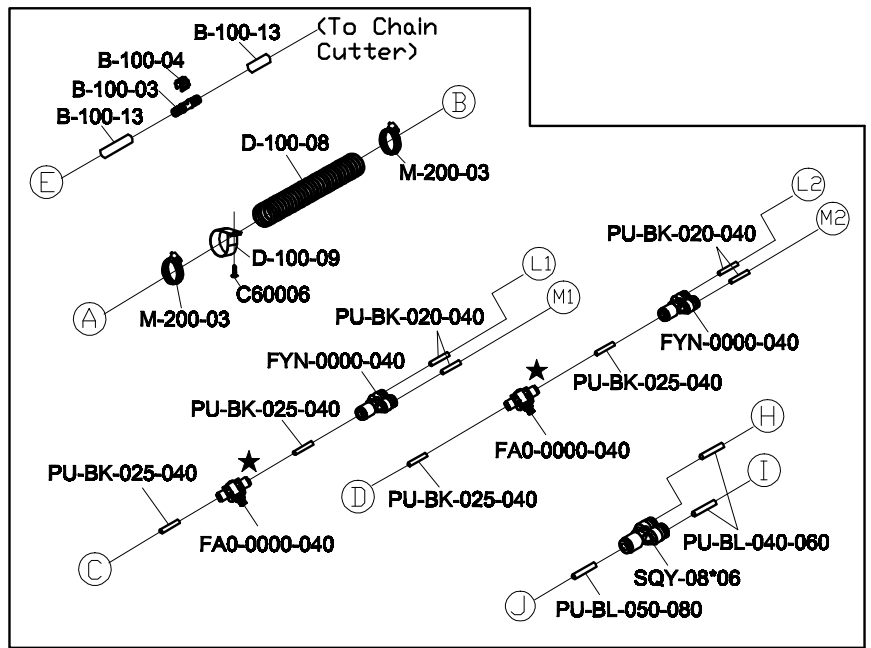
B-600



C-100-L

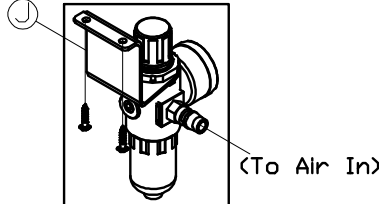


K-300-SK

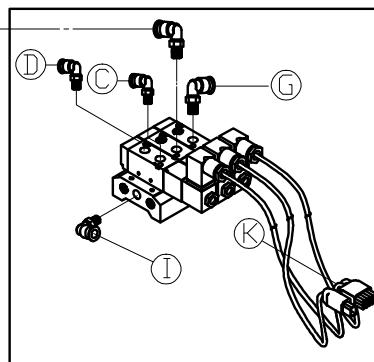


PU-BL-040-060

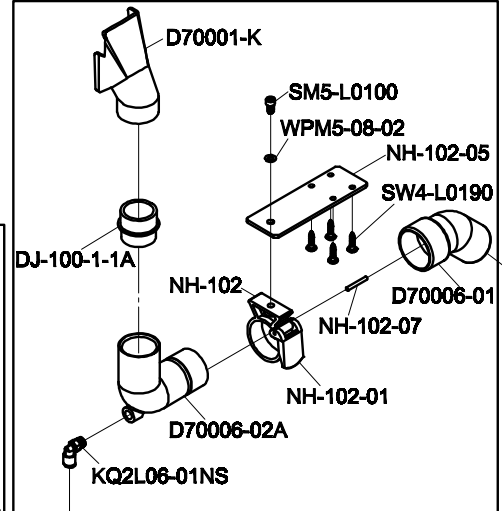
MAFR200L-8S



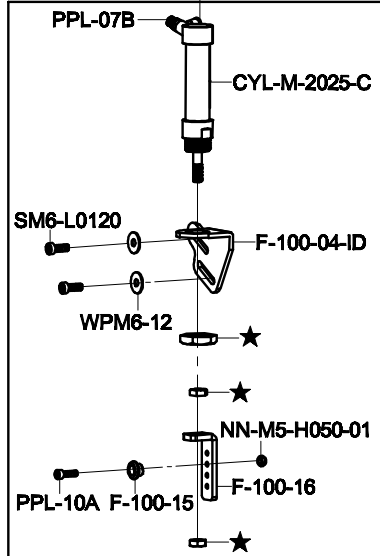
SV5101-D2KM3-7



D-600-SR



F-100-T



SIRUBA

PARTS LIST

Series

700KST

Parts Group

RSK

Subclass / Remark

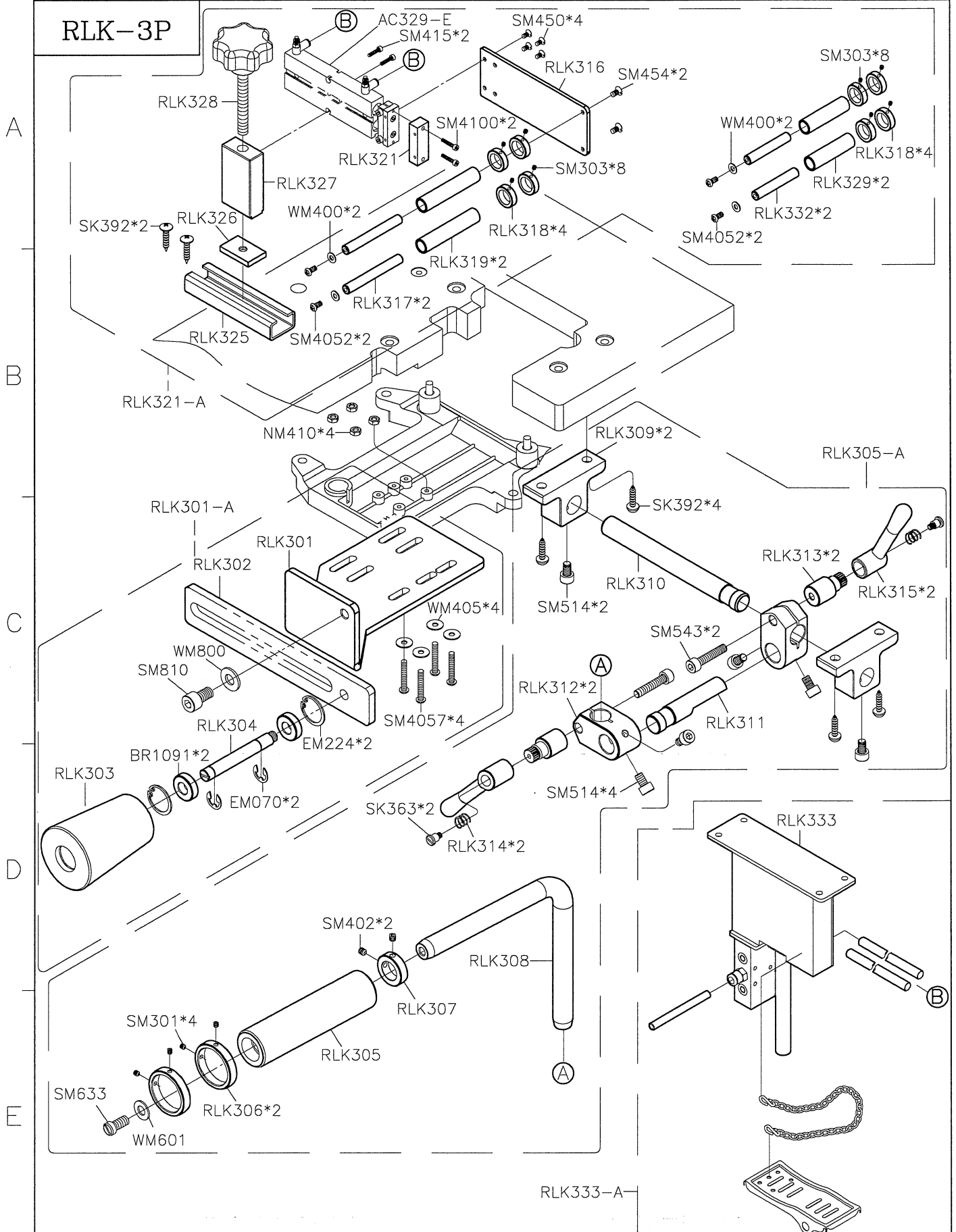
Page

5/5

Date

2018.05.07

RLK-3P



1

2

3

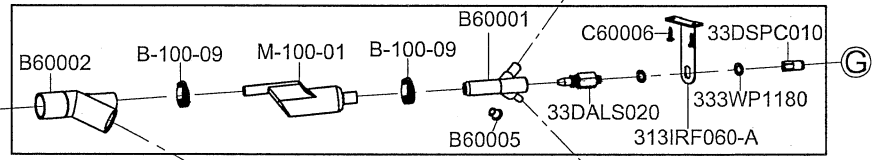
4

5

- 1) ★ Before installation, please check one side is Air IN, another side is Air OUT.
- 2) 空氣有效使用壓力
Effective air pressure: 4-6 kg/cm
- 3) 請適度修剪管子長度，以達到風力最佳效能。

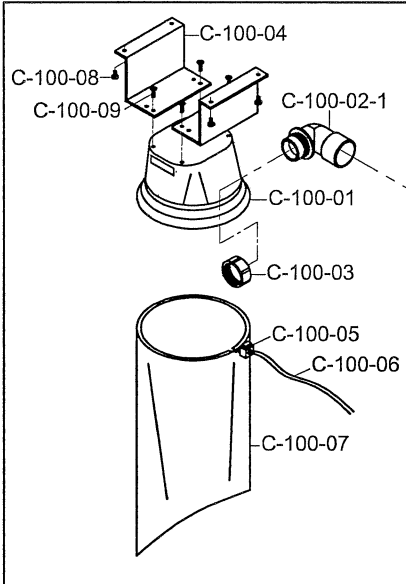
A

B-600



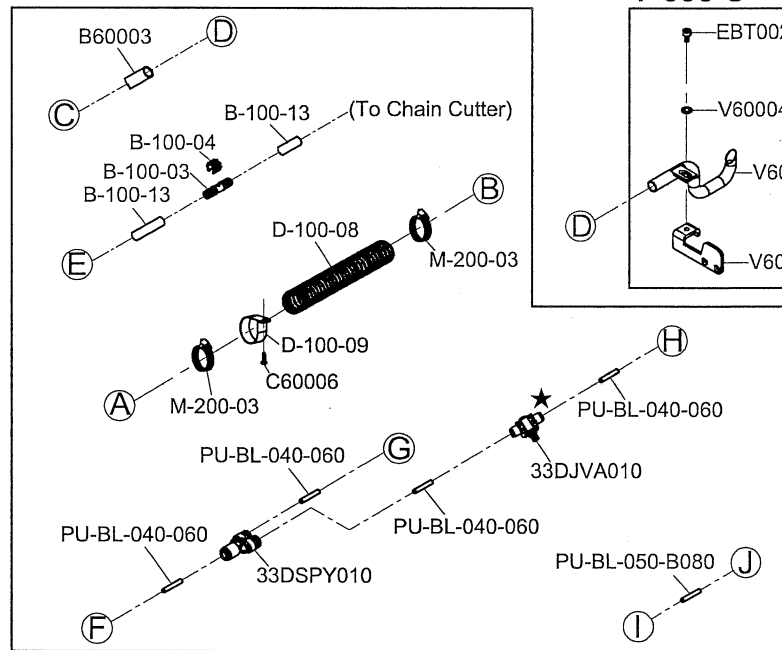
B

C-100-L

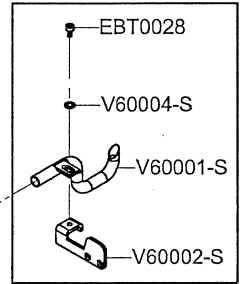


C

K-200

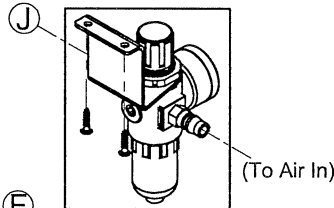


V-600-S

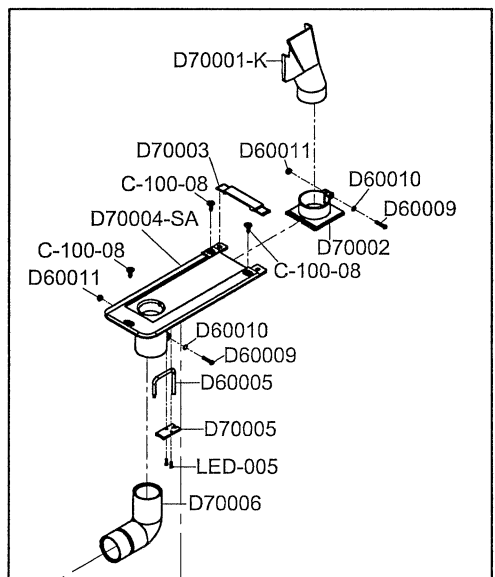


D

AFR-200-A

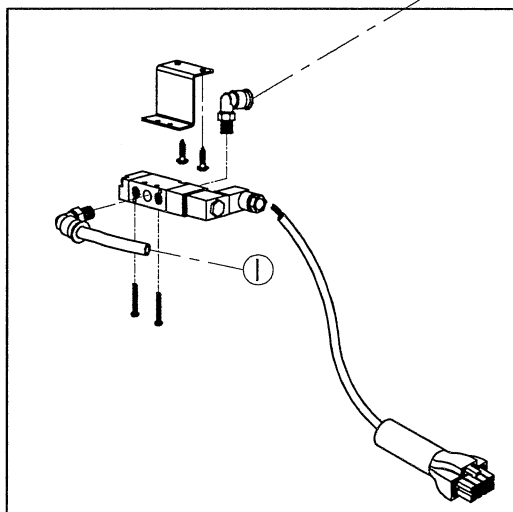


D-700-S



E

SV5101-D208N-2

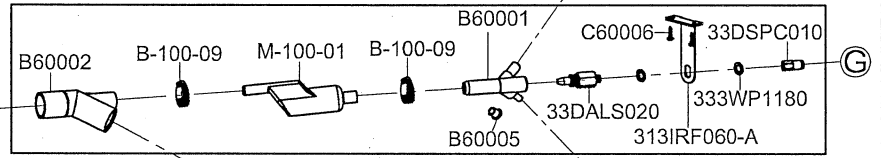


Note 註記:

- 1) ★ Before installation, please check one side is Air IN, another side is Air OUT.
- 2) 空氣有效使用壓力
Effective air pressure: 4~6 kg/cm
- 3) 請適度修剪管子長度，以達到風力最佳效能。

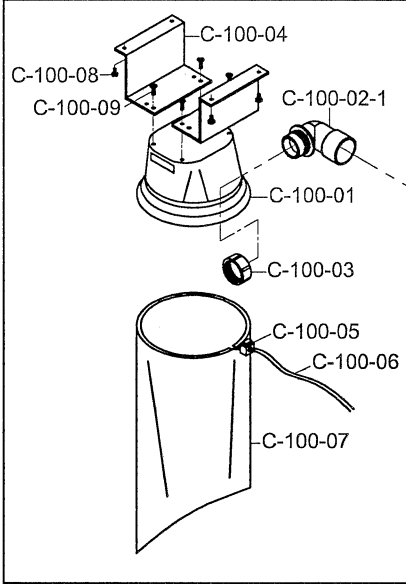
A

B-600

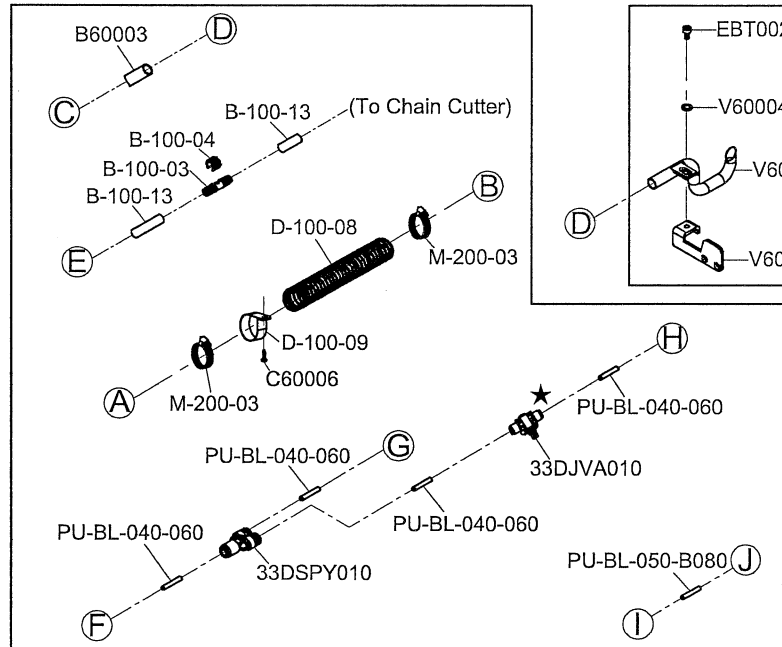


B

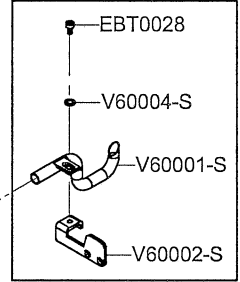
C-100-L



K-200



V-600-S

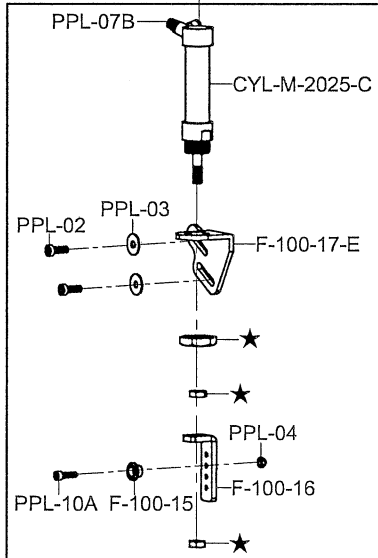


C

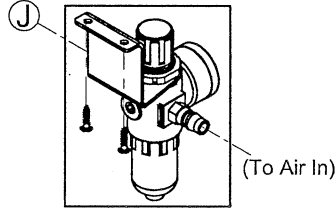
PU-BL-040-060

D

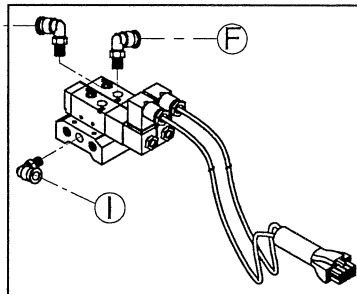
F-100-T



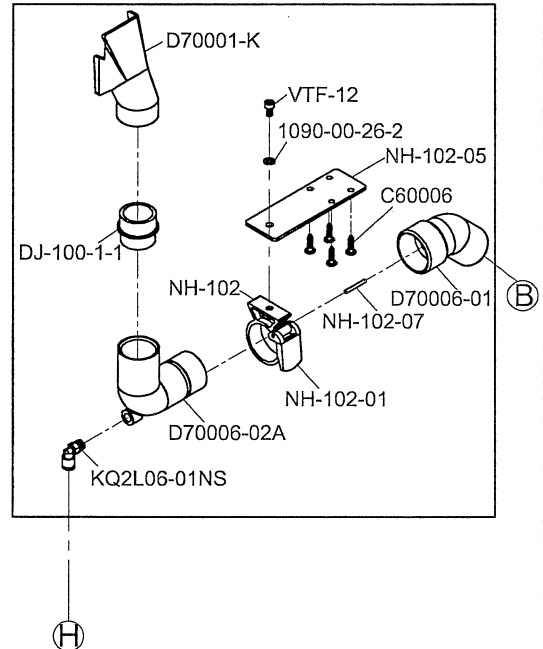
AFR-200-A



SV5101-D2KM2-9

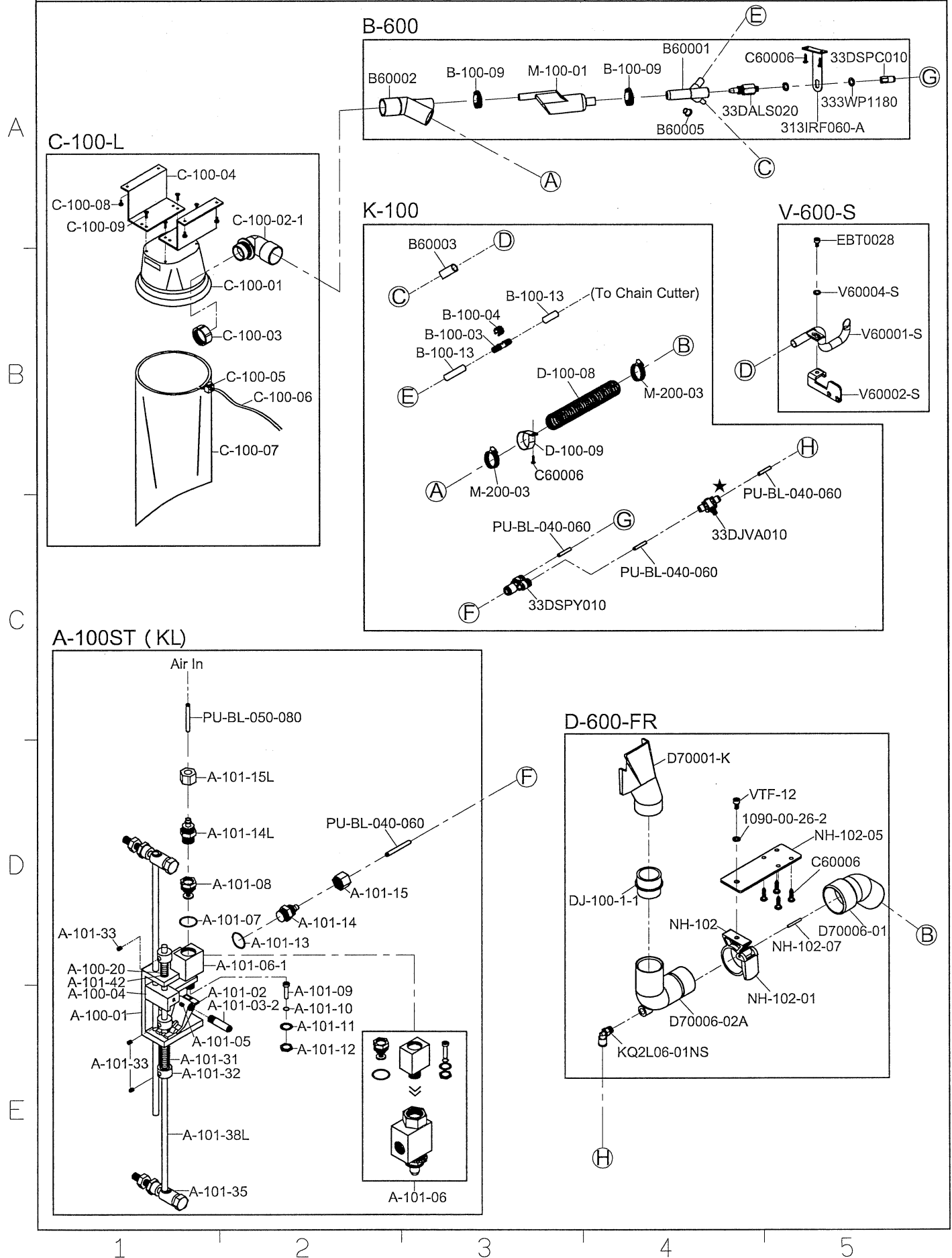


D-600-FR

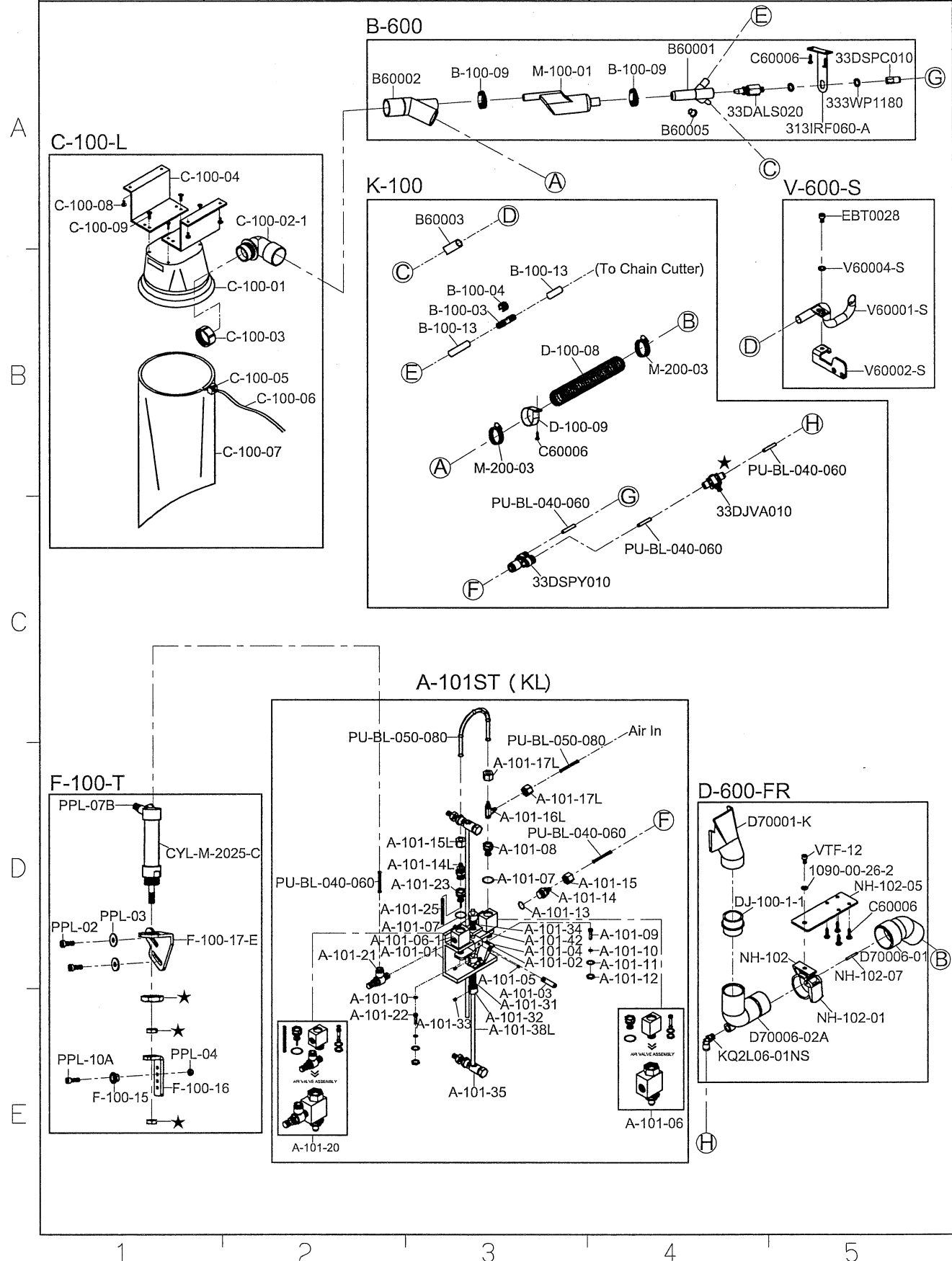


E

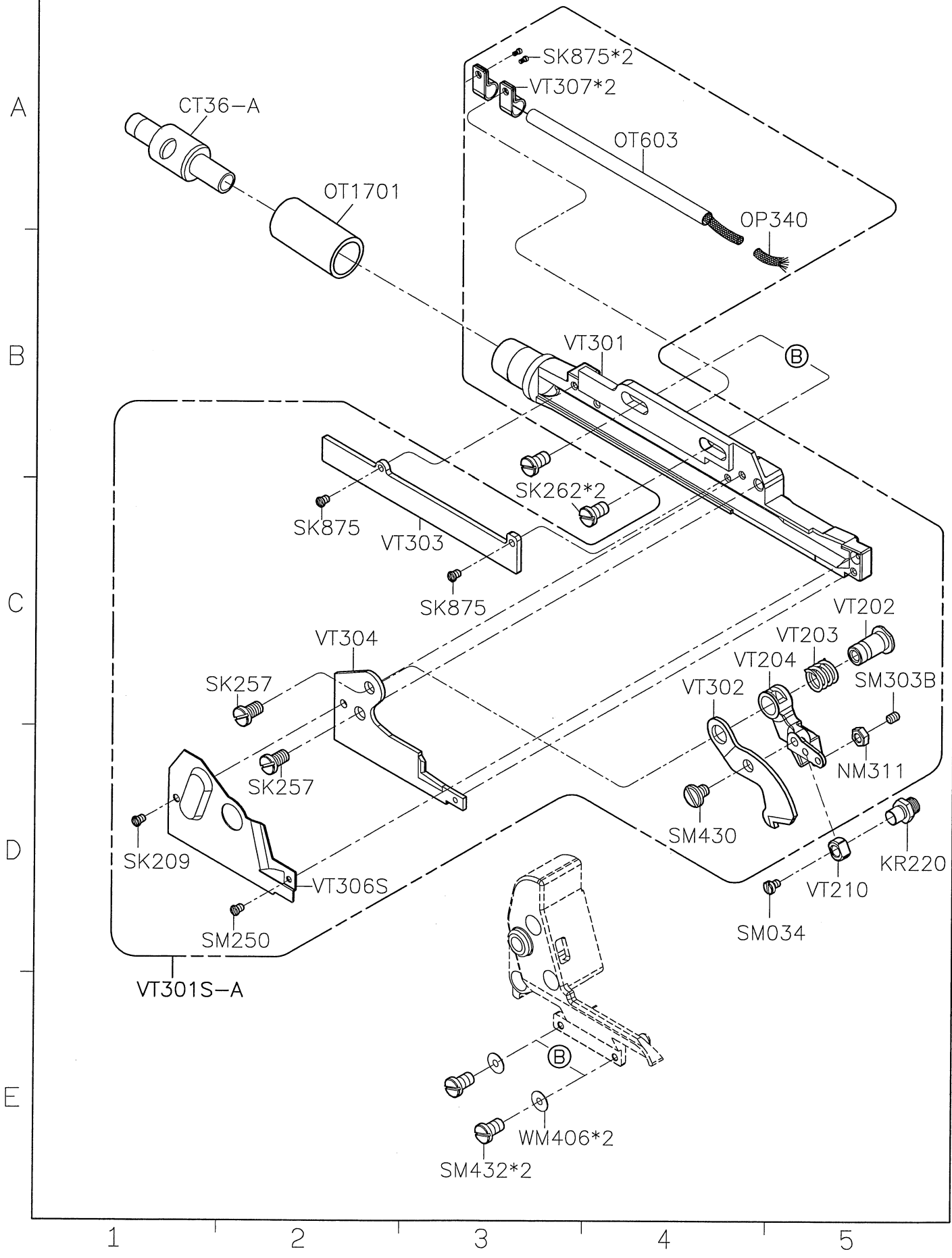
SIRUBA PARTS LIST	Series	Parts Group	Subclass / Remark	Page
	700KS 700KST	TUA-39S	Note 註記: 1) ★ Before installation, please check one side is Air IN, another side is Air OUT. 2) 空氣有效使用壓力 Effective air pressure: 4~6 kg/cm 3) 請適度修剪管子長度，以達到風力最佳效能。	1/1
				Date 2016/11/02



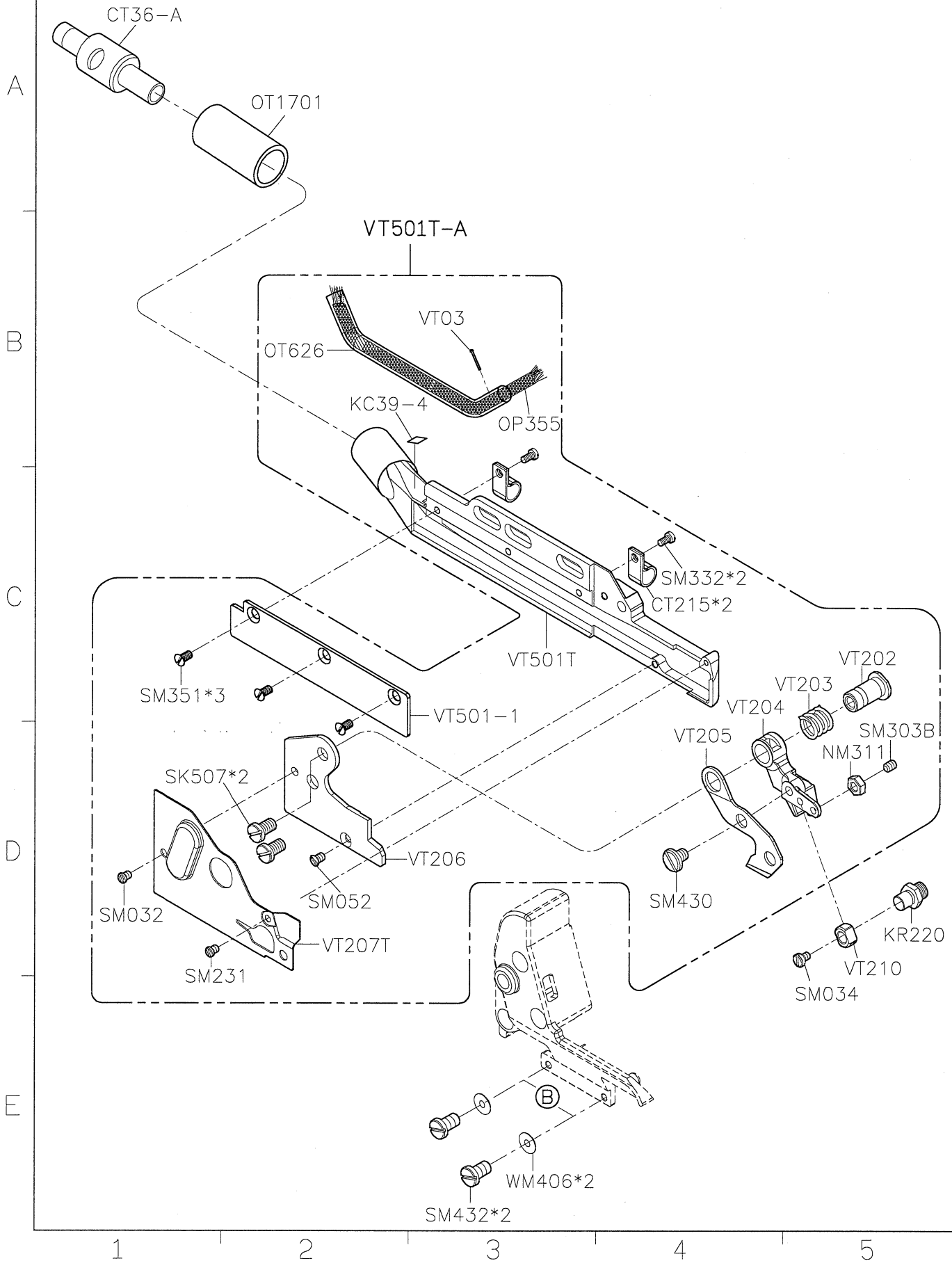
SIRUBA PARTS LIST	Series	Parts Group	Subclass / Remark	Page
	700KST	TUA-40ST	Note 註記: 1) ★ Before installation, please check one side is Air IN, another side is Air OUT. 2) 空氣有效使用壓力 Effective air pressure: 4~6 kg/cm 3) 請適度修剪管子長度, 以達到風力最佳效能。	1/1
				Date
				2016/11/02

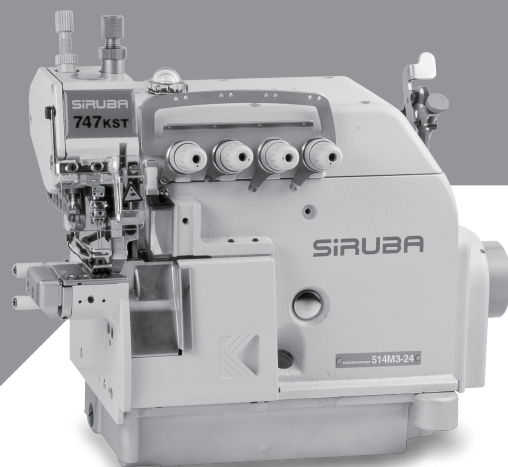


SIRUBA PARTS LIST	Series	Parts Group	Subclass / Remark	Page
	700KST	VT-KS		1/1
				Date
				2014/10/13



SIRUBA PARTS LIST	Series	Parts Group	Subclass / Remark	Page
	700KST	VT-KST		1/1
				Date
				2017/11/10





 高林股份有限公司
KAULIN MFG. CO., LTD.

由於對產品的改良及更新，本產品使用說明書中與零件圖之產品及外觀的修改恕不事先通知！
The specification and/or appearances of the equipment described in this instruction book & parts list are subject to change because of modification which will without previous notice.
700KST.MAY.2015