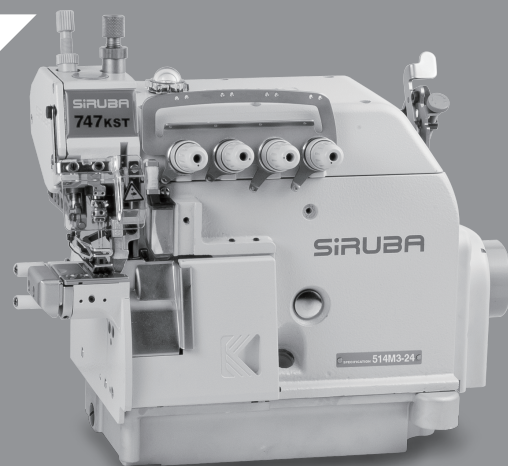


SIRUBA[®] Sew Reach

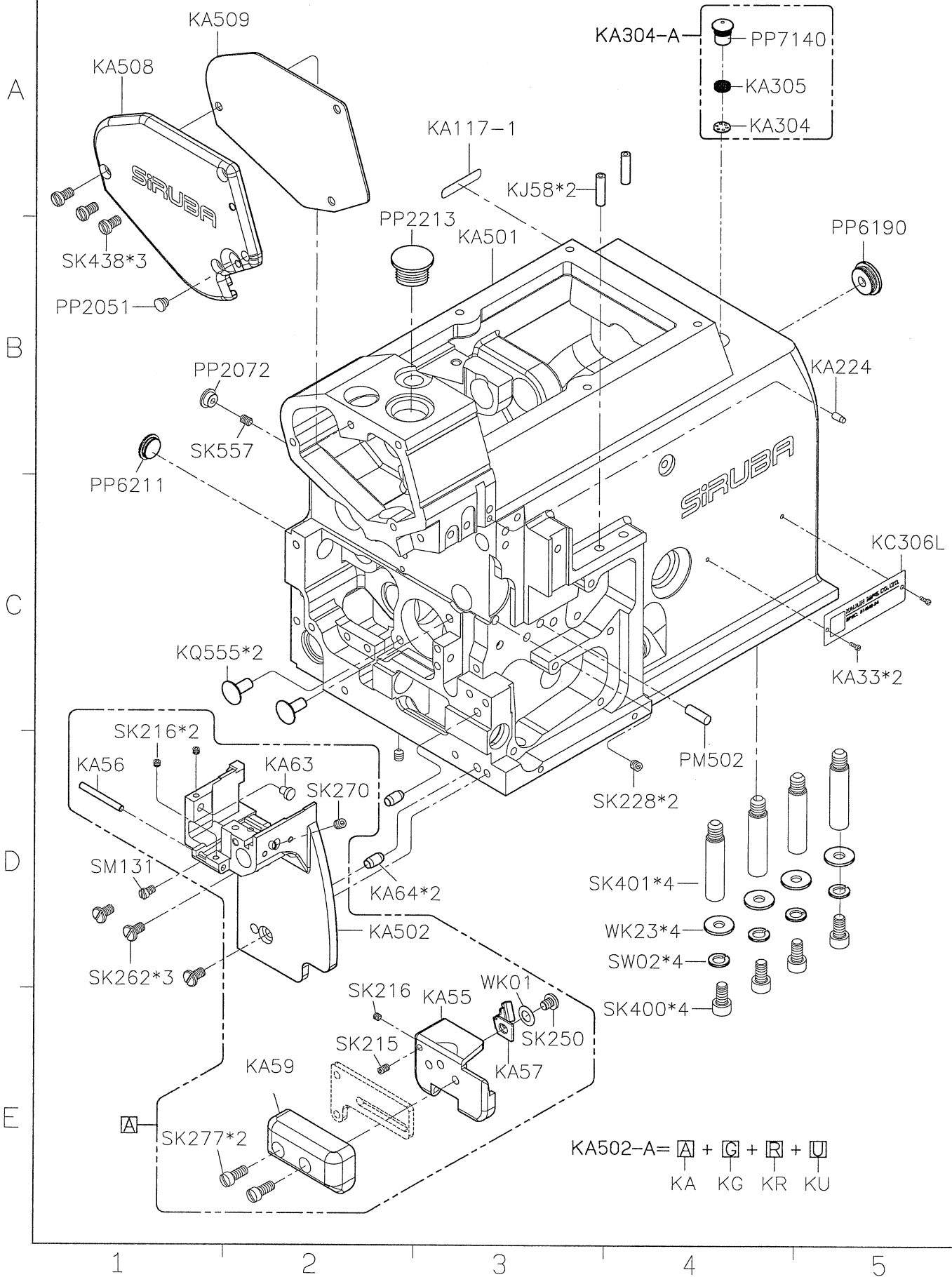
零件圖

PARTS LIST

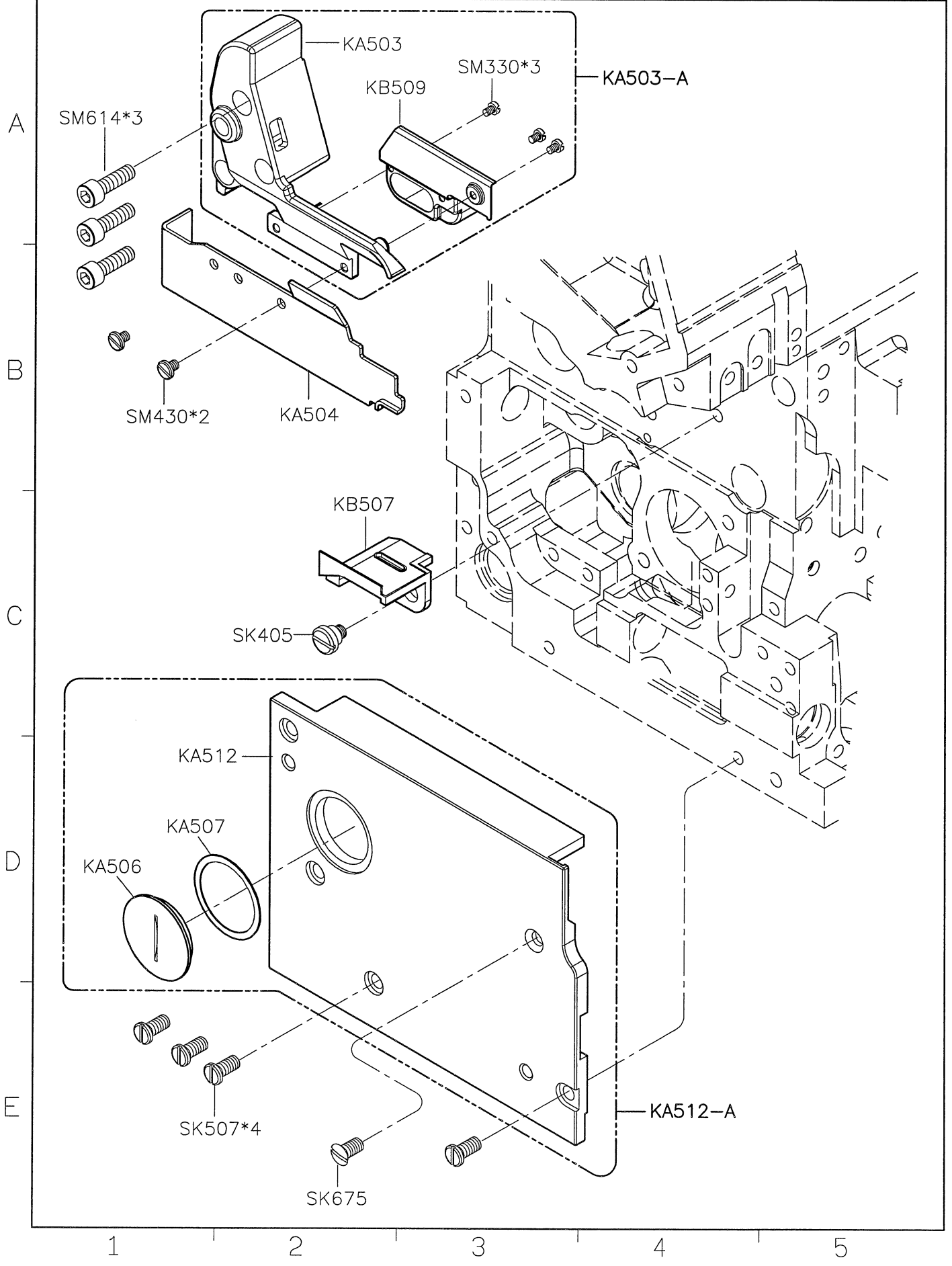
■ 700KST



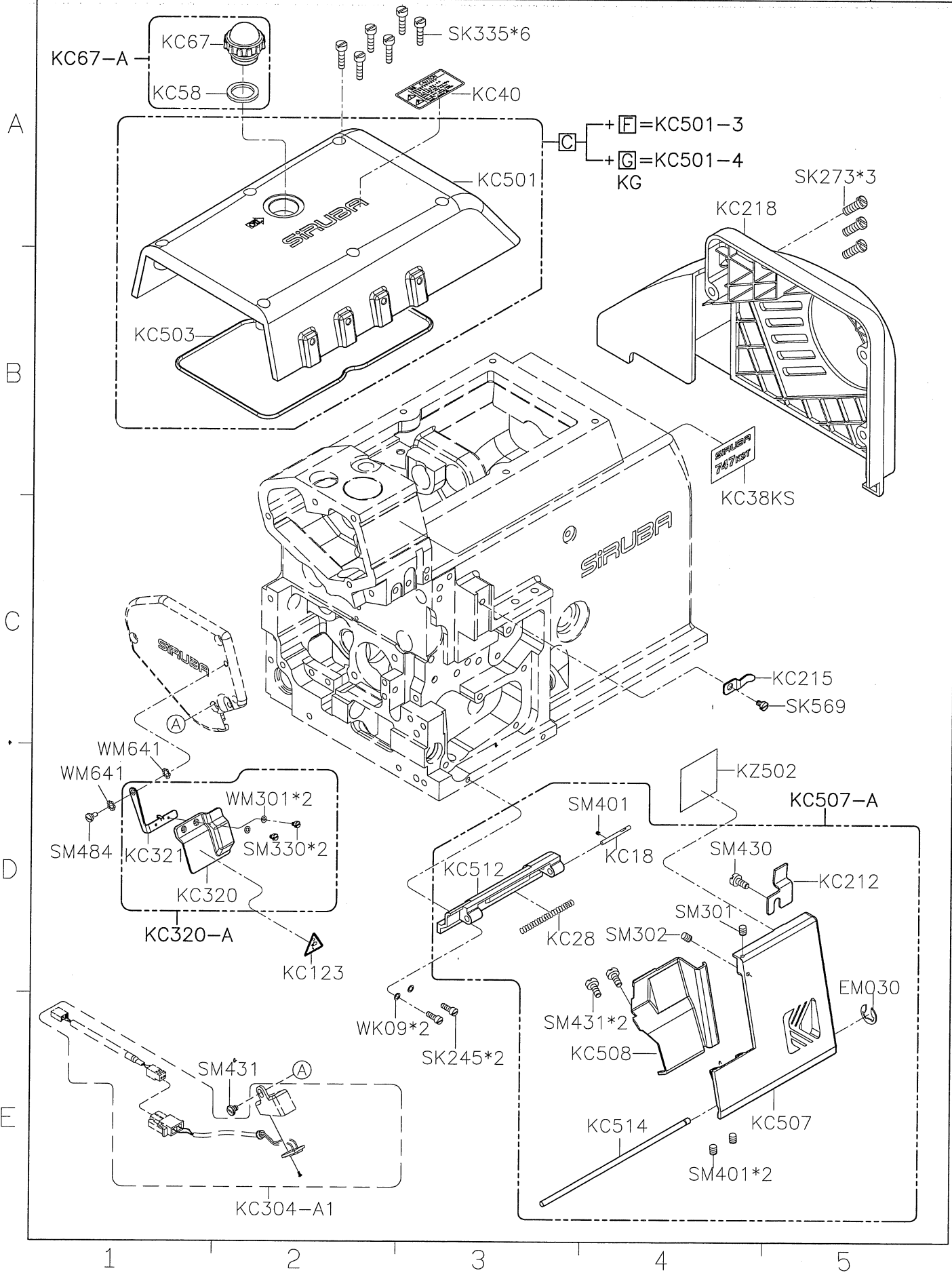
CE



SIRUBA PARTS LIST	Series	Parts Group	Subclass / Remark	Page
	700KST	KB		1/1
				Date
				2016/07/01



SIRUBA PARTS LIST	Series	Parts Group	Subclass / Remark	Page
	700KS/T	KC		1/1
				Date
				2014/10/01



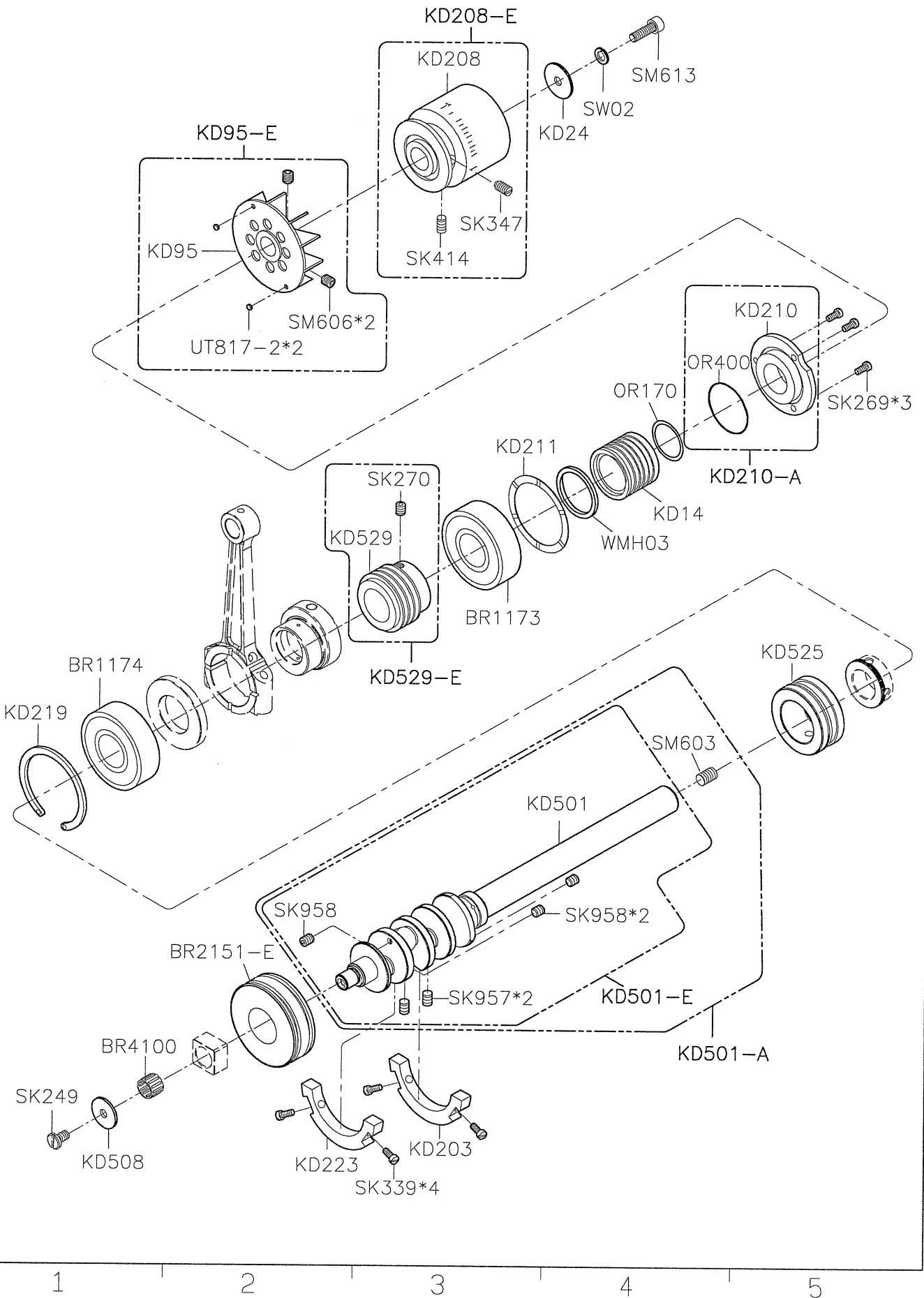
A

B

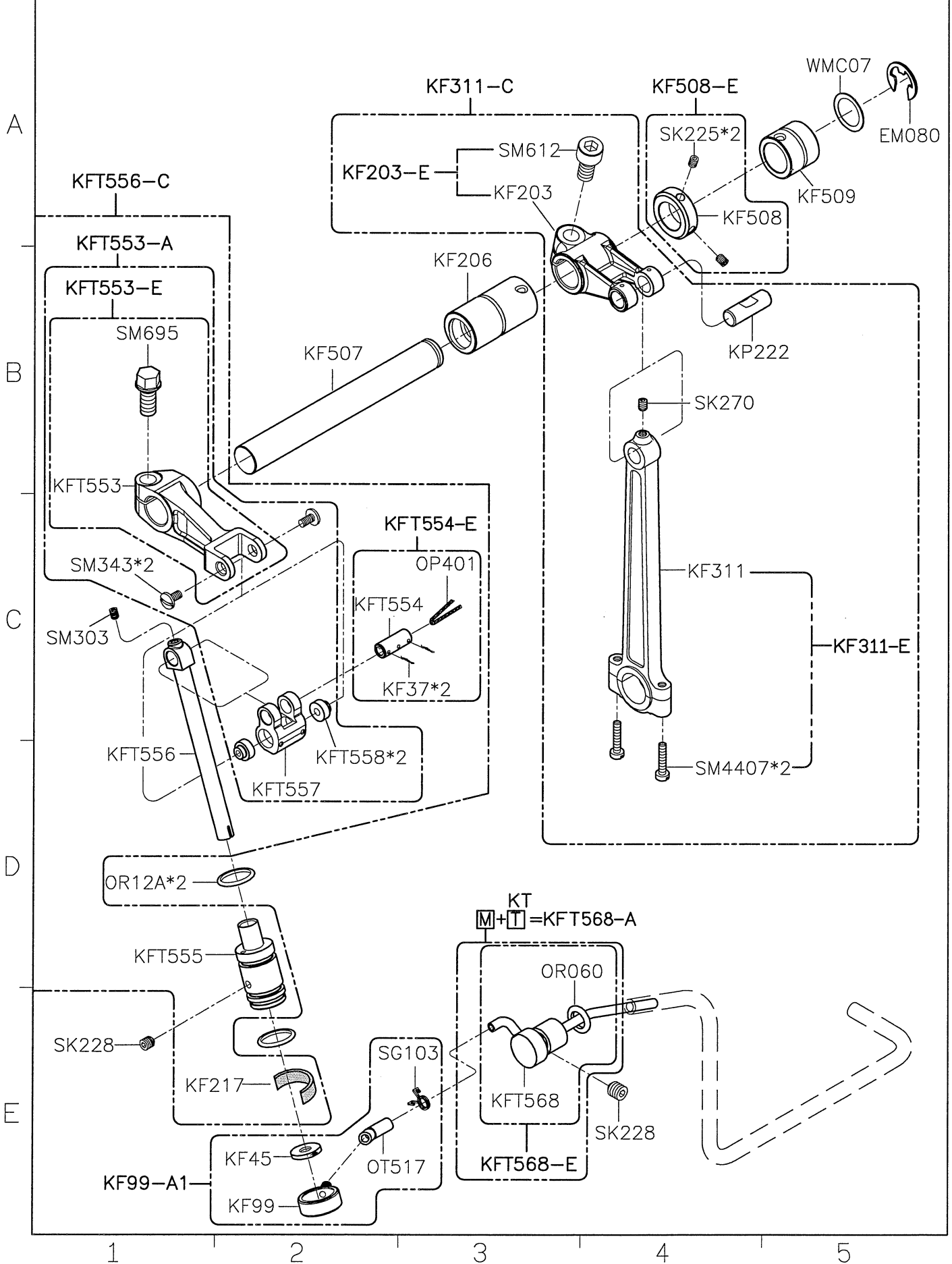
C

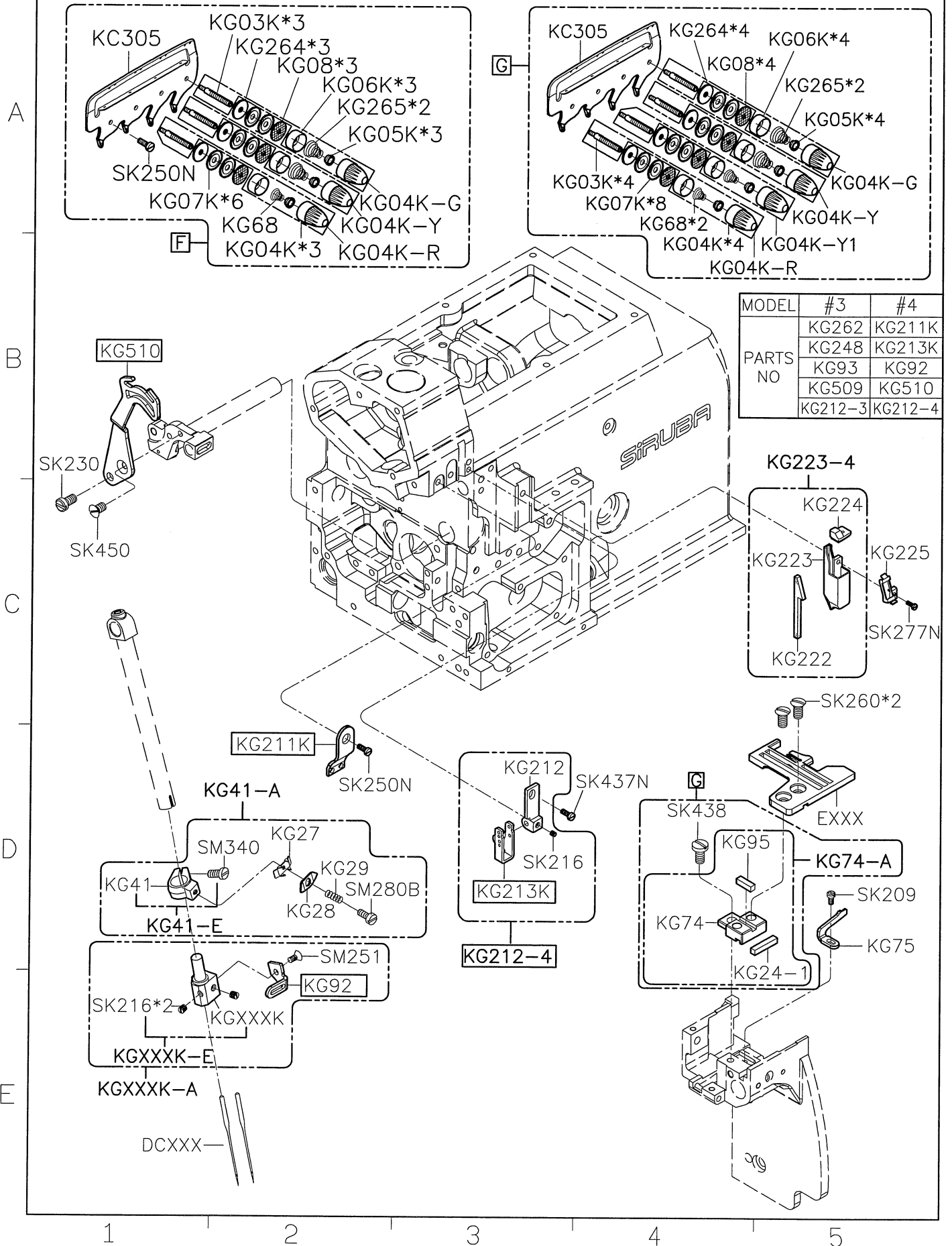
D

E

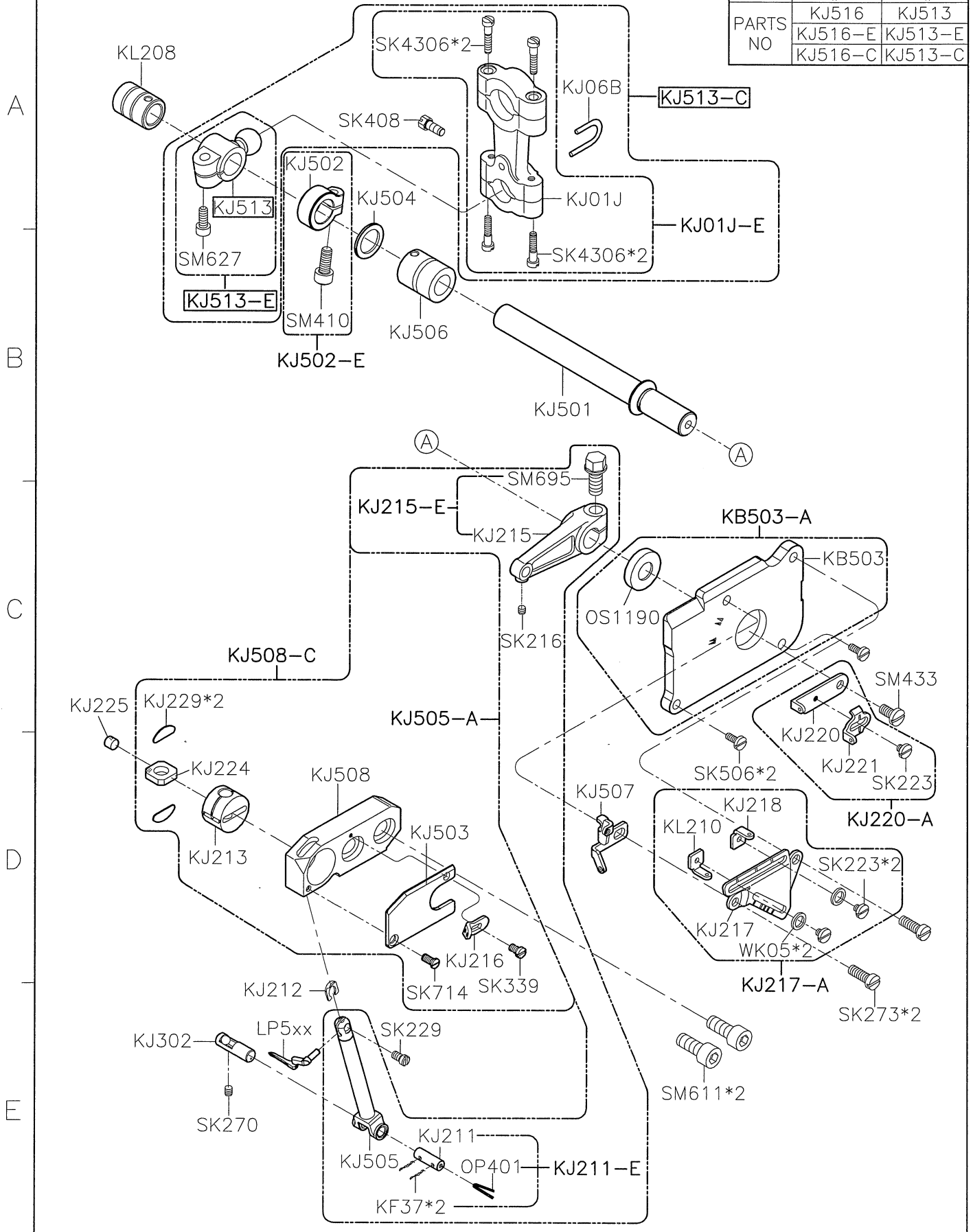


SIRUBA PARTS LIST	Series	Parts Group	Subclass / Remark	Page
	700KST	KF		1/1
				Date
				2015/05/18





MODEL	#3	#4
PARTS NO	KJ516	KJ513
	KJ516-E	KJ513-E
	KJ516-C	KJ513-C



1

2

3

4

5

SIRUBA

PARTS LIST

Series

700KST

Parts Group

KL

Subclass / Remark

Page

1/1

Date

2016/10/17

MODEL	#3	#4
PARTS NO	KL502A KL514-A1	KL502 KL514-A

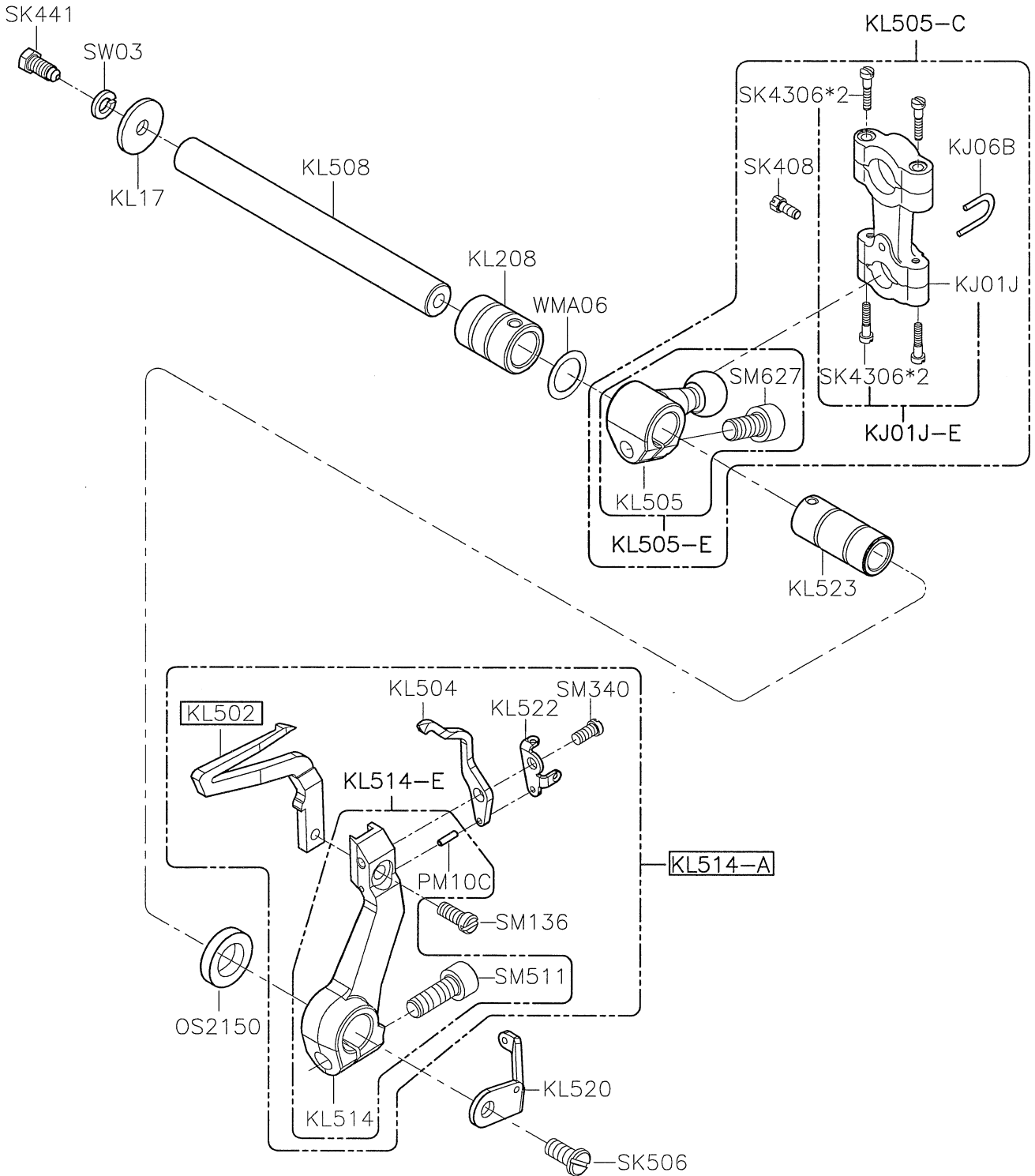
A

B

C

D

E



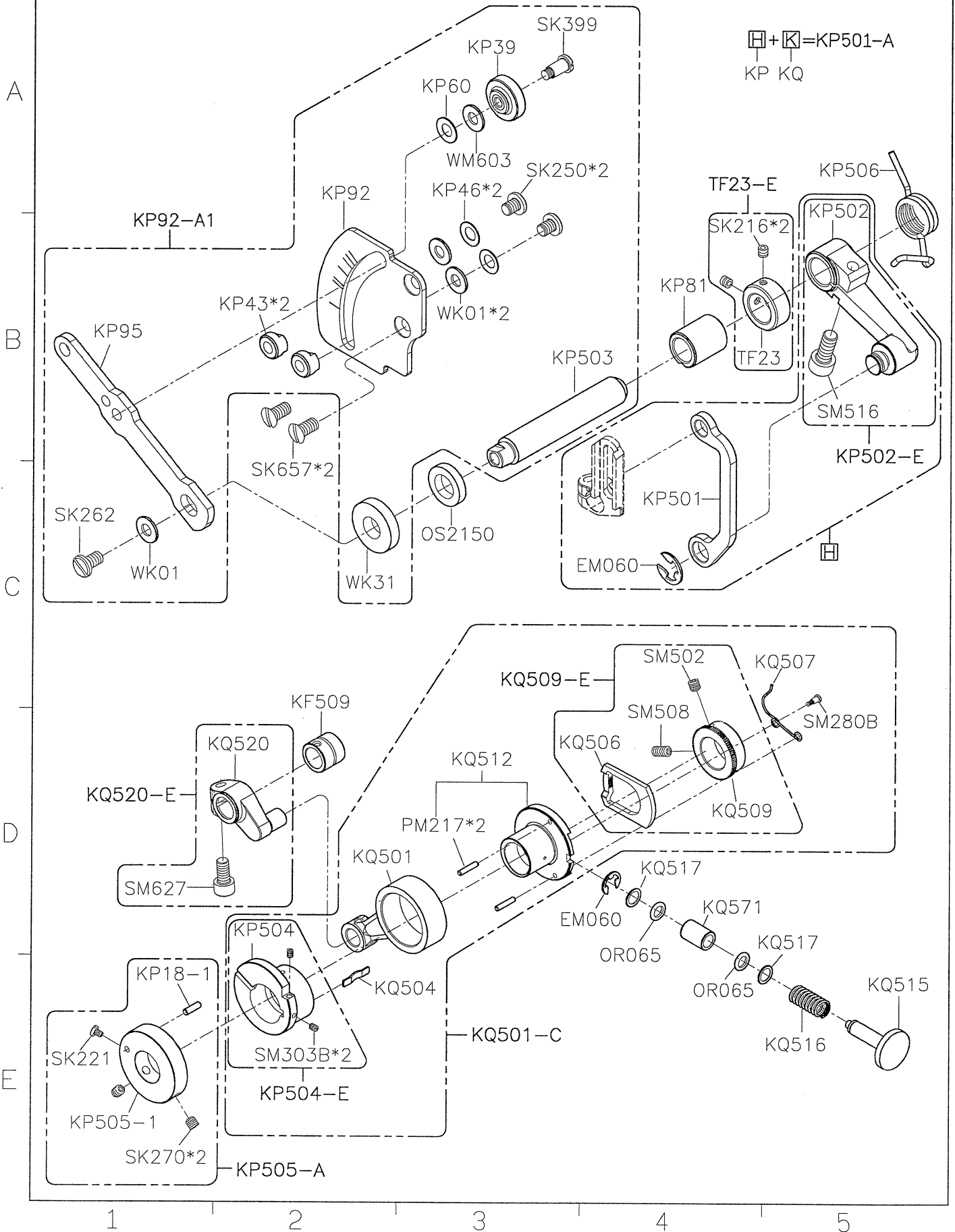
1

2

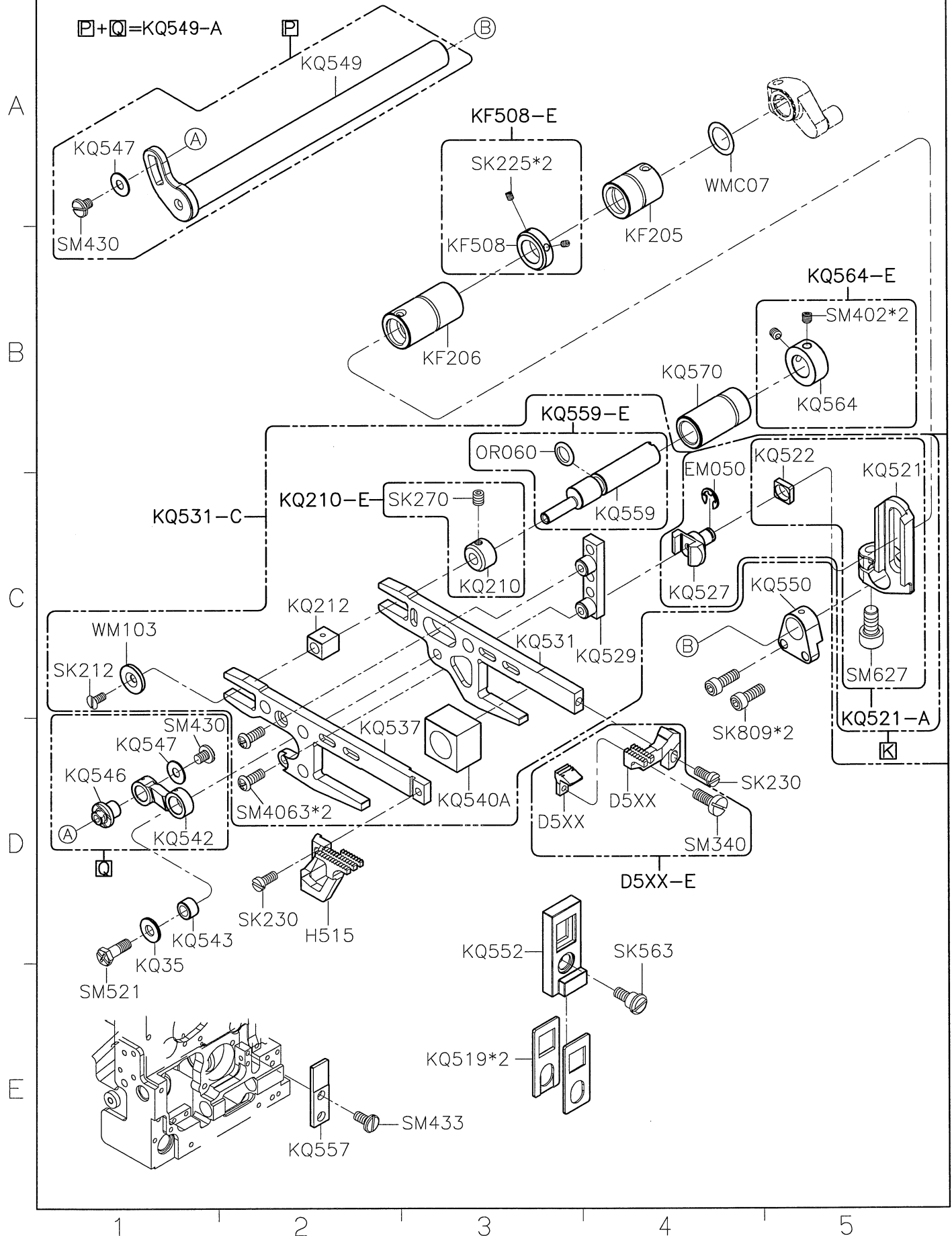
3

4

5



SIRUBA PARTS LIST	Series	Parts Group	Subclass / Remark	Page
	700KST	KQ		1/1
				Date
				2016/08/05



SIRUBA

PARTS LIST

Series

700KS/T

Parts Group

KR

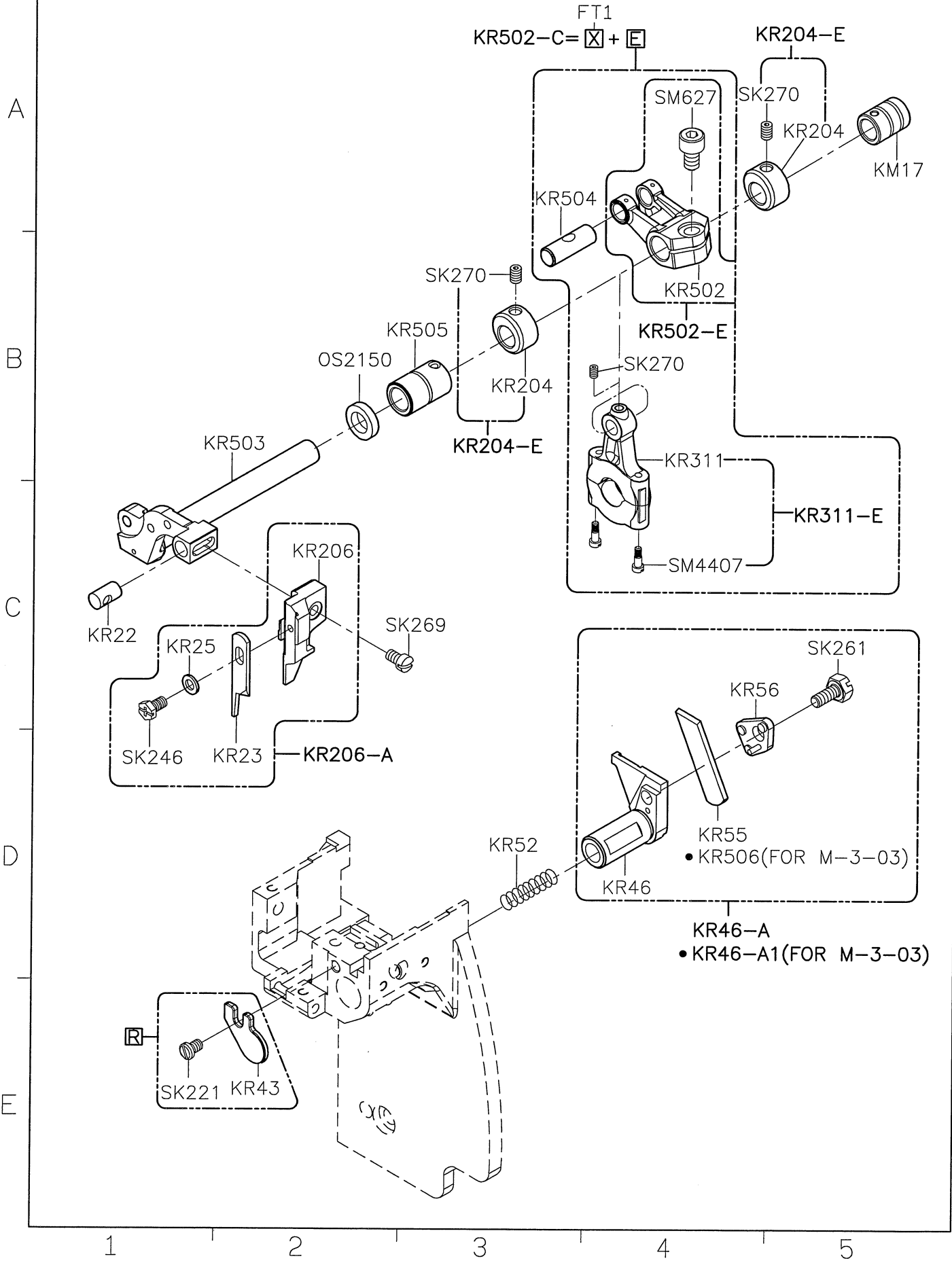
Subclass / Remark

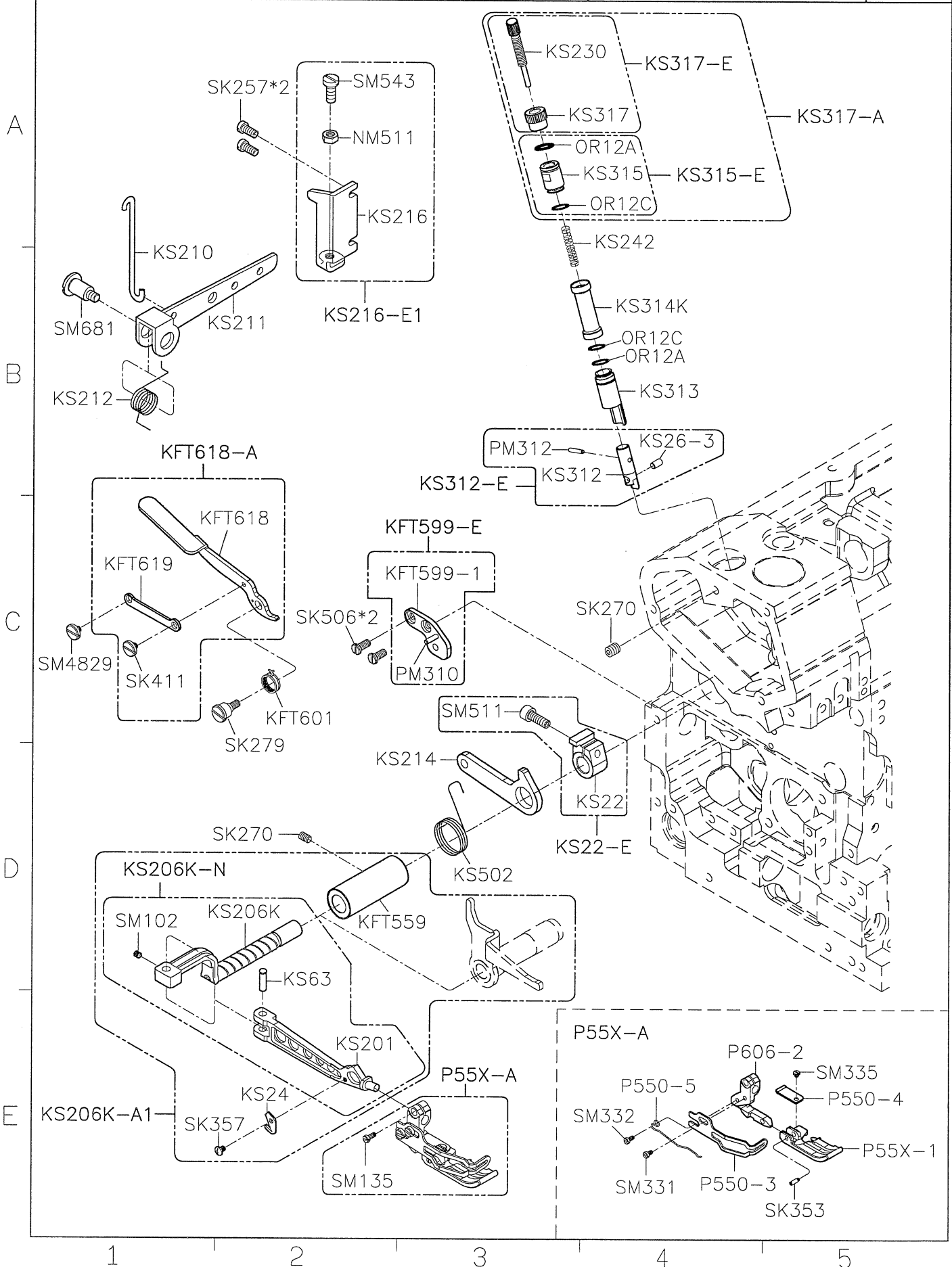
Page

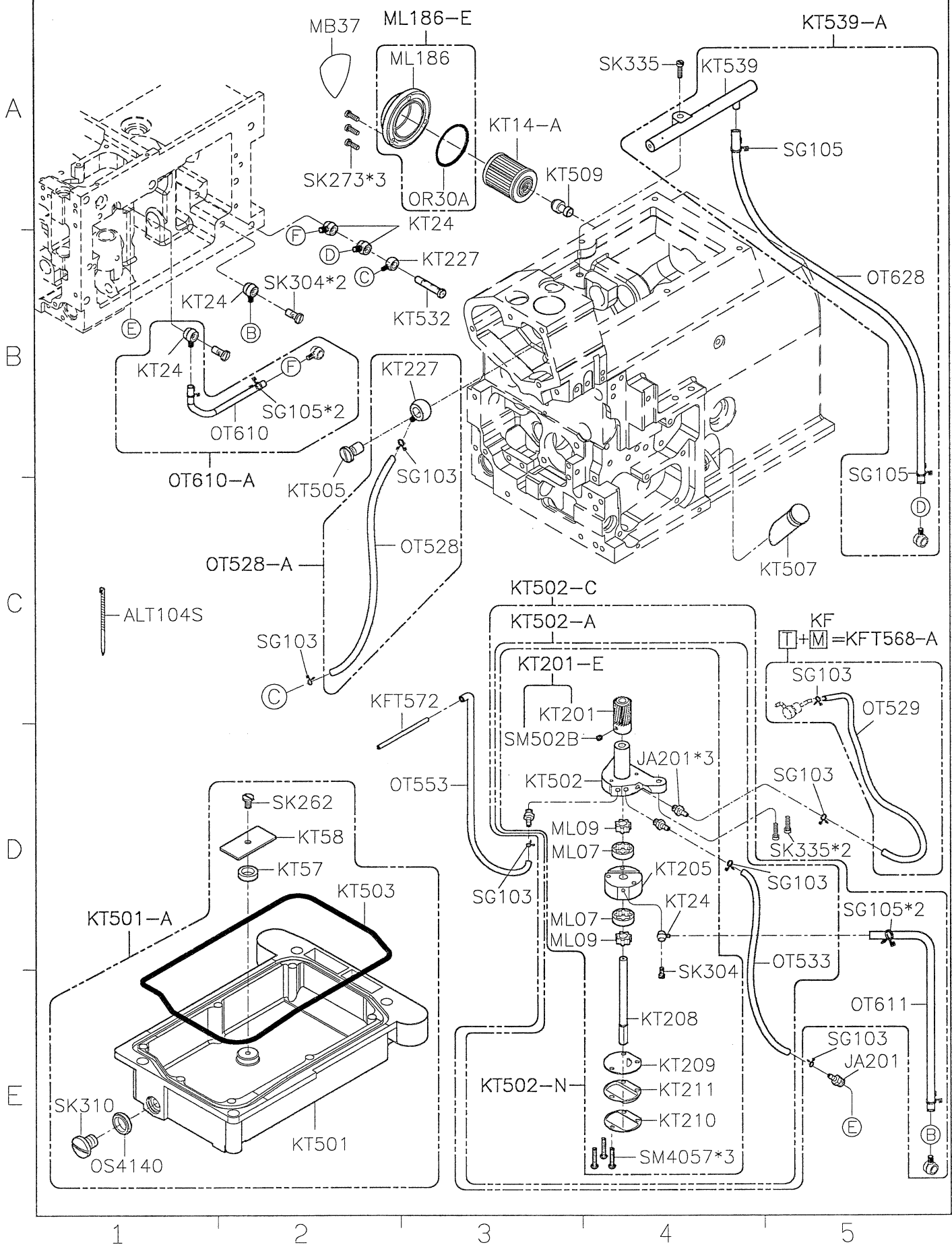
1/1

Date

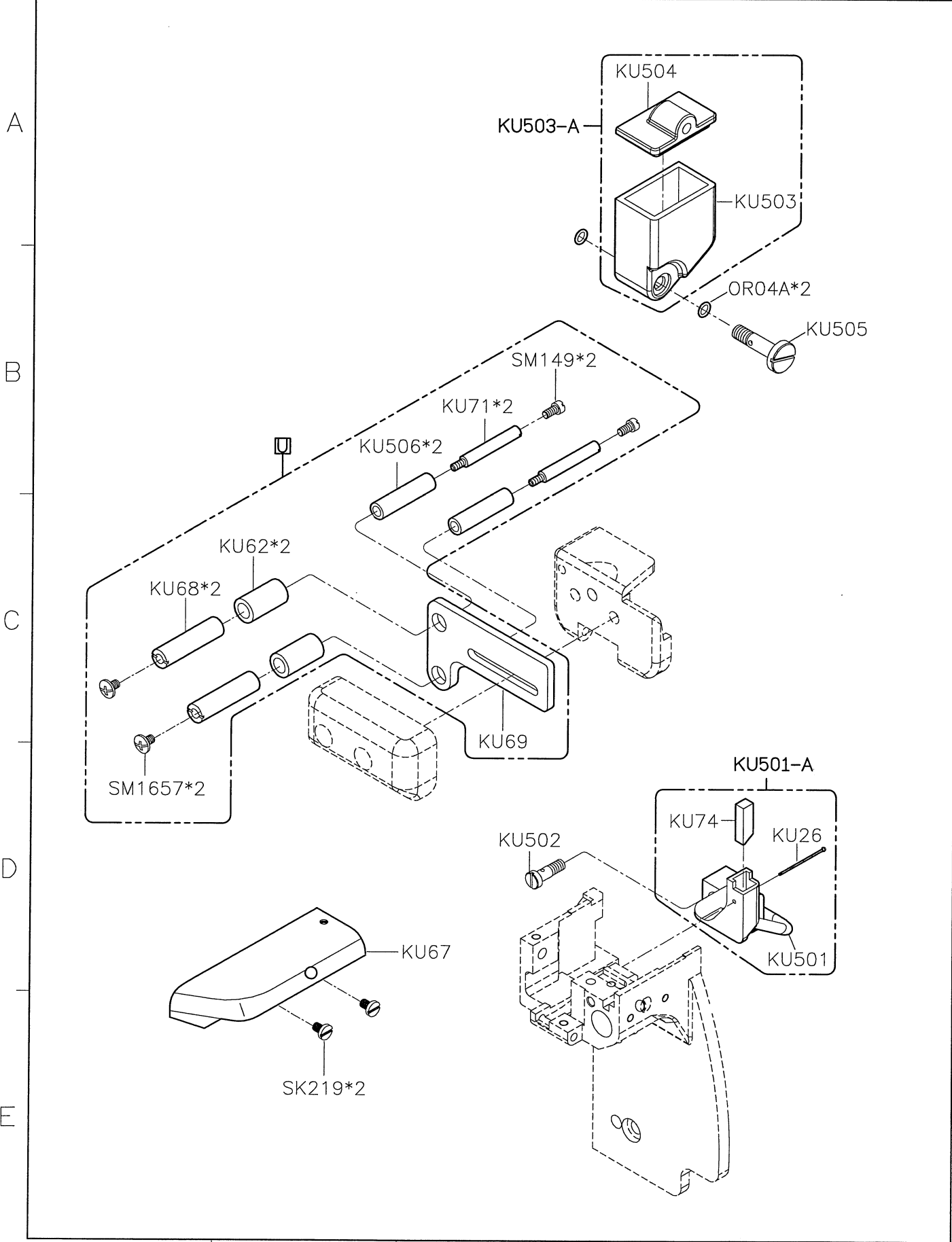
2014/07/11







SIRUBA PARTS LIST	Series	Parts Group	Subclass / Remark	Page
	700KS/T	KU		1/1
				Date
				2013/10/09



1 2 3 4 5

SIRUBA PARTS LIST	Series	Parts Group	Subclass / Remark	Page
	拷克	KW		1/4
	Overlock			Date
	含MO6800系列			2017/2/20

KW40E-3

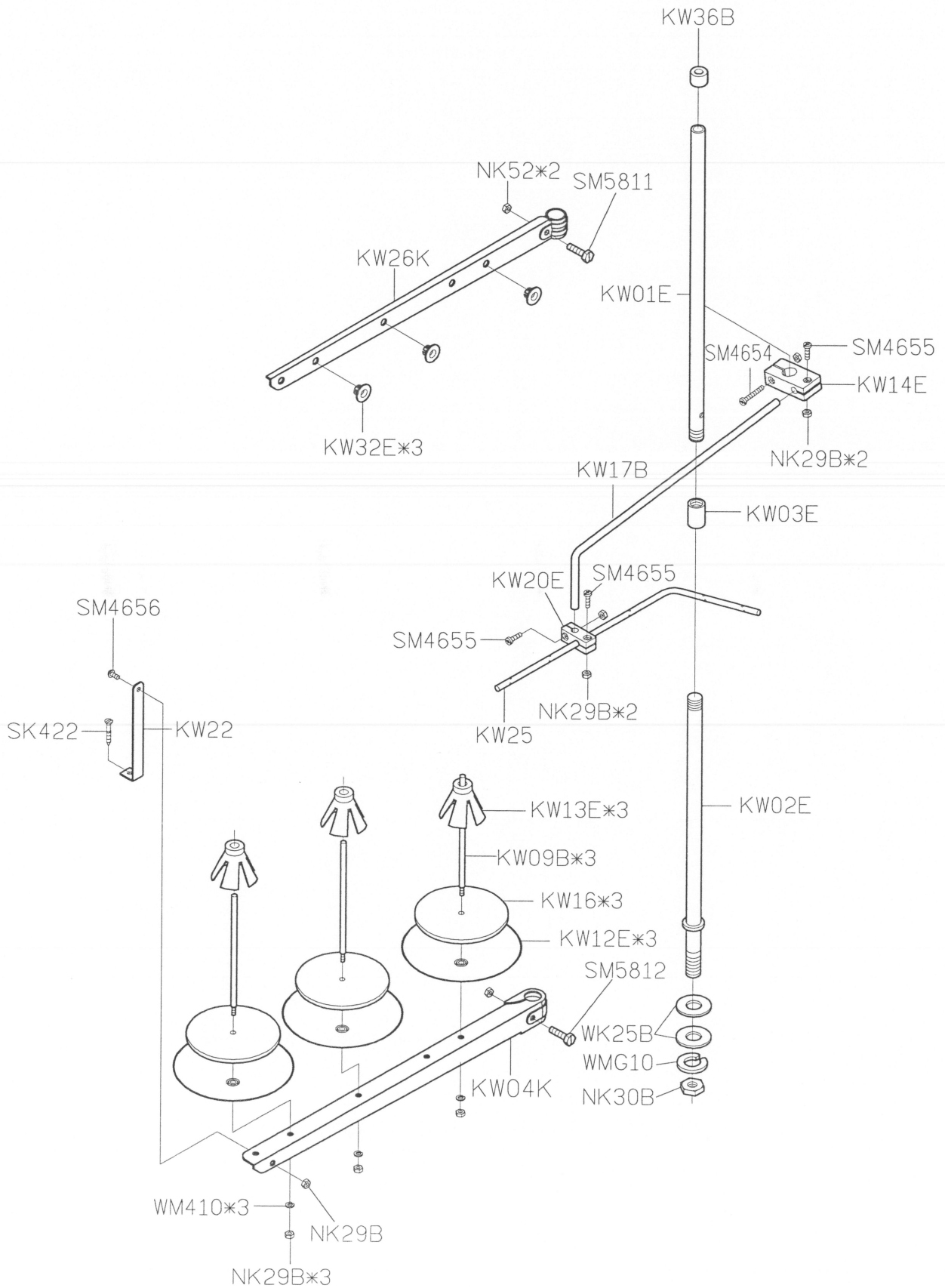
A

B

C

D

E



1

2

3

4

5

SIRUBA PARTS LIST	Series	Parts Group	Subclass / Remark	Page
	拷克	KW		2/4
	Overlock			Date
	含MO6800系列			2017/2/20

KW40E-4

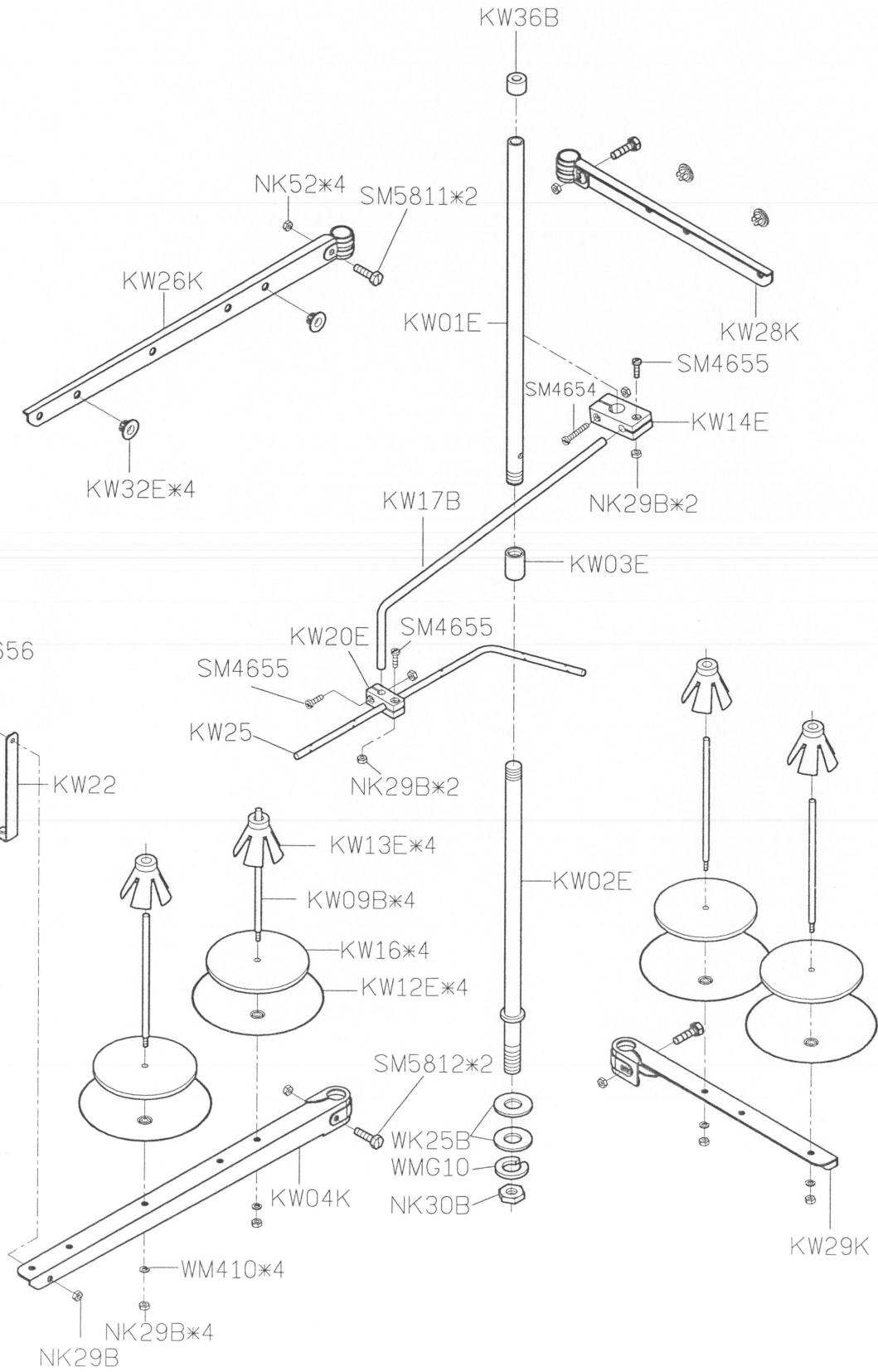
A

B

C

D

E



1

2

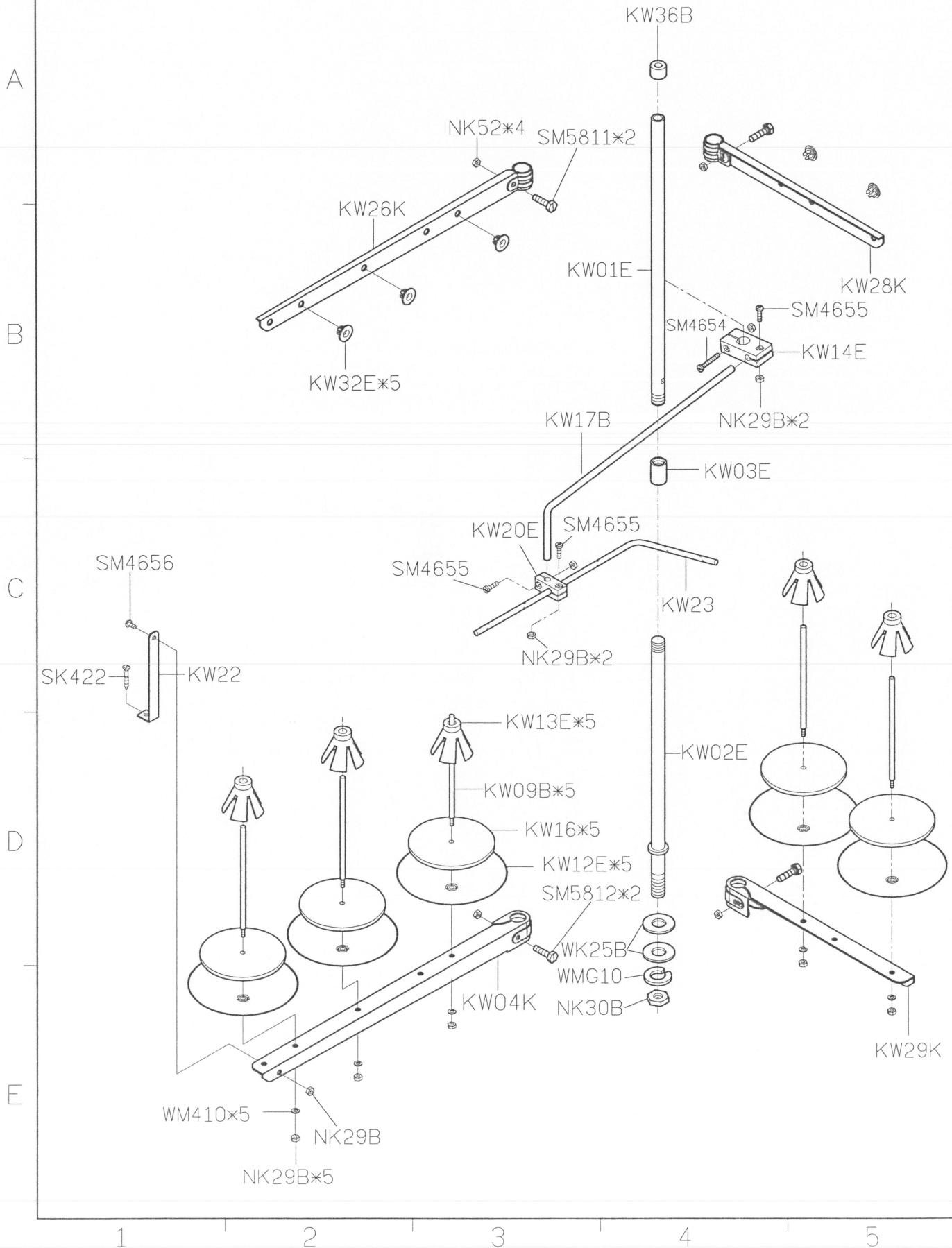
3

4

5

SIRUBA PARTS LIST	Series	Parts Group	Subclass / Remark	Page
	拷克	KW		3/4
	Overlock			Date
	含MO6800系列			2017/2/20

KW40E-5



SIRUBA PARTS LIST	Series	Parts Group	Subclass / Remark	Page
	拷克	KW		4/4
	Overlock			Date
	含MO6800系列			2017/2/20

KW40E-6

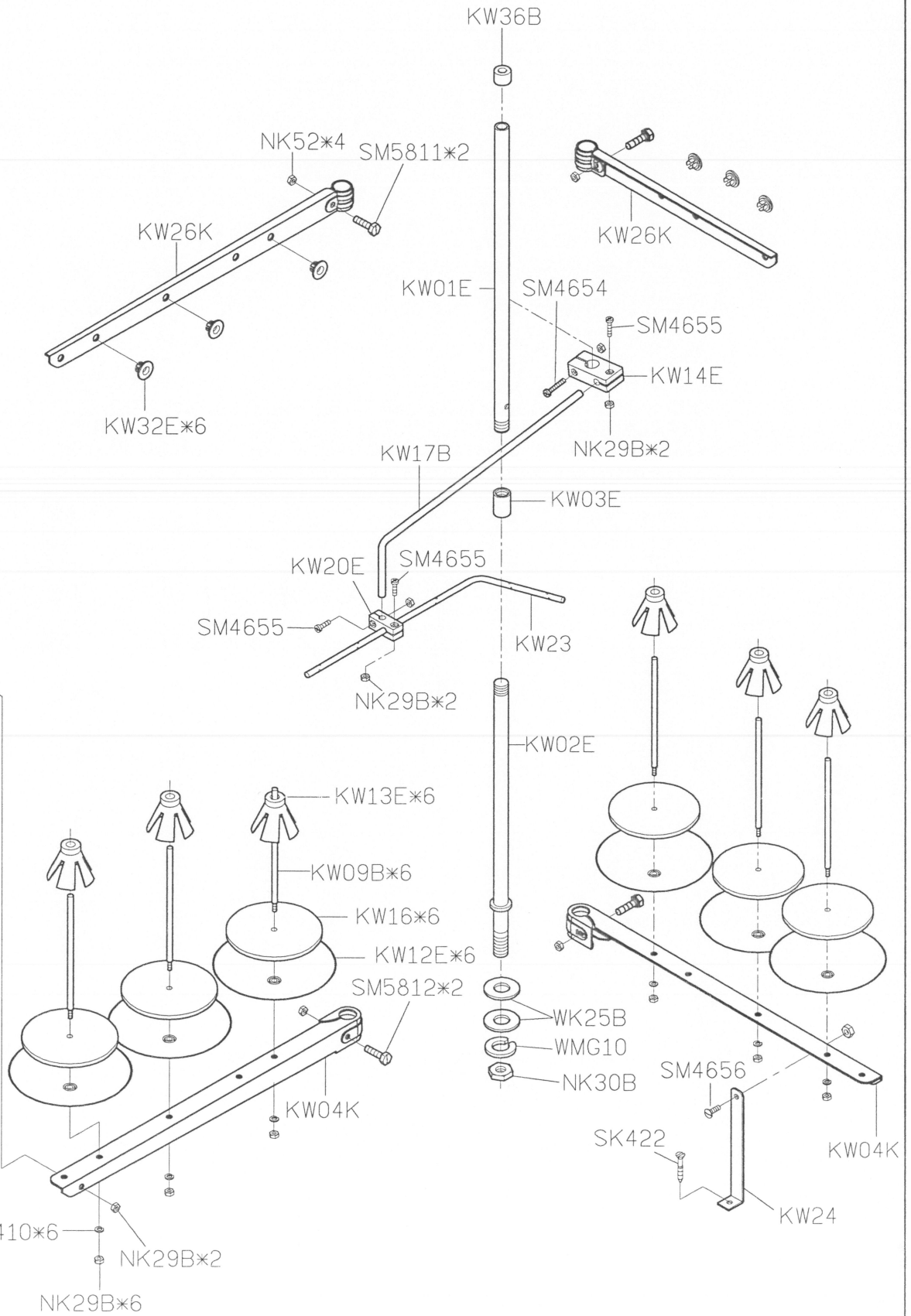
A

B

C

D

E



1

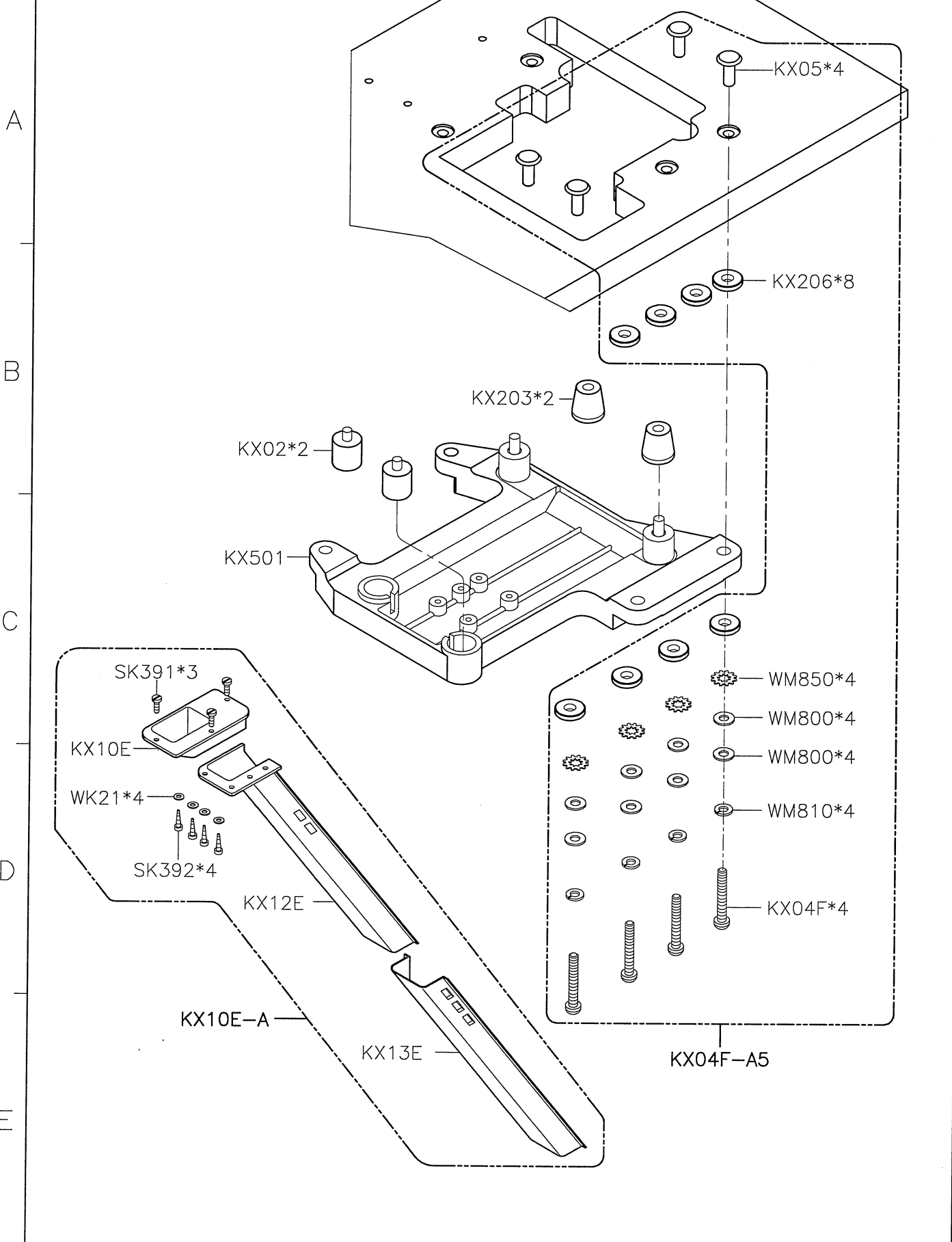
2

3

4

5

SIRUBA PARTS LIST	Series	Parts Group	Subclass / Remark	Page
	700KS/T	KX		1/1
				Date
				2014/03/05



1

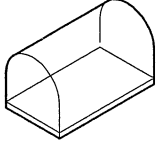



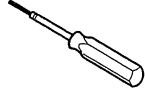
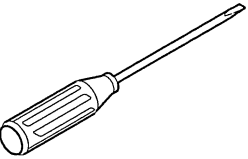



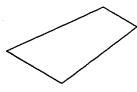
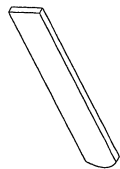

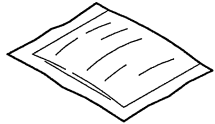

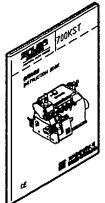


2

3

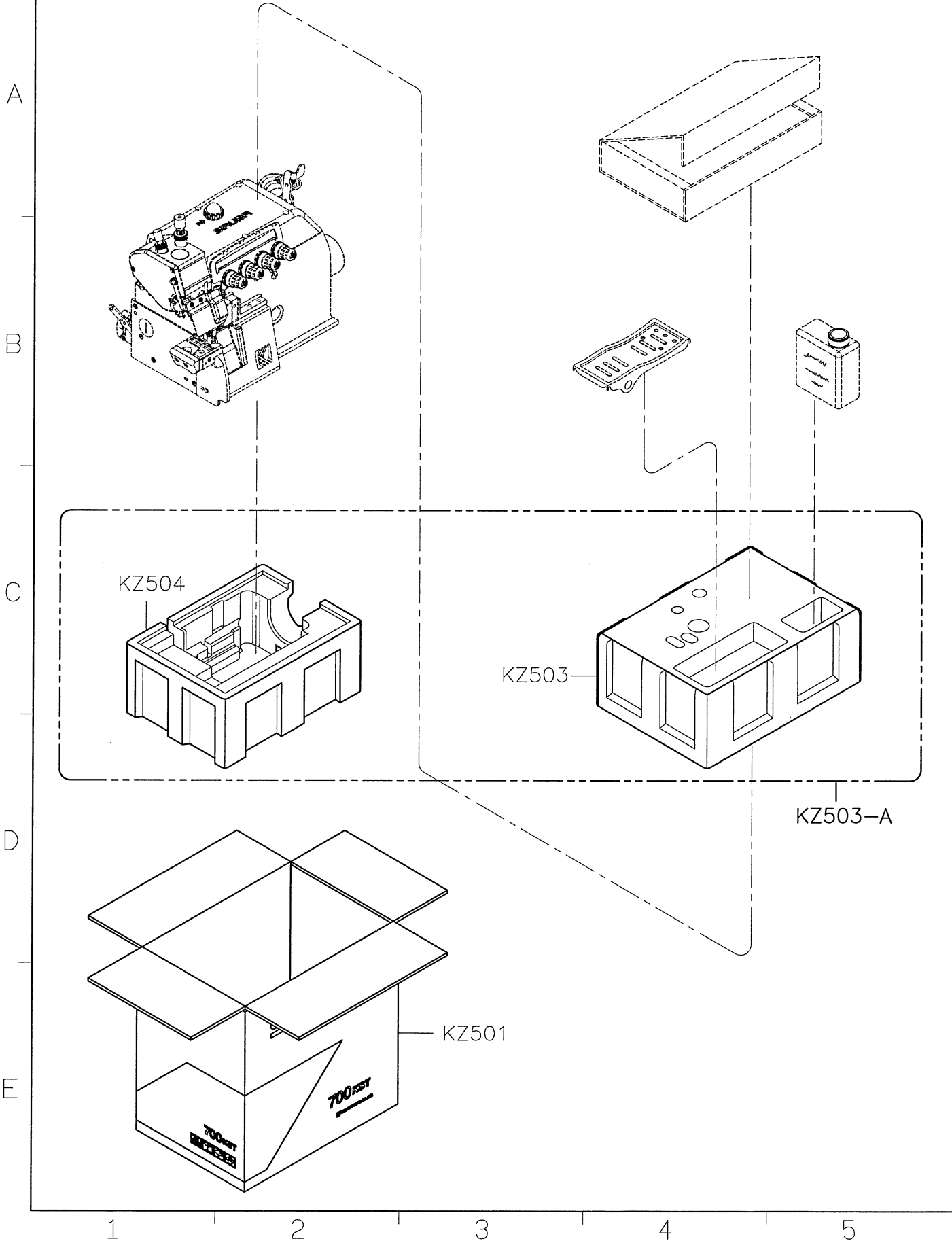
4

5

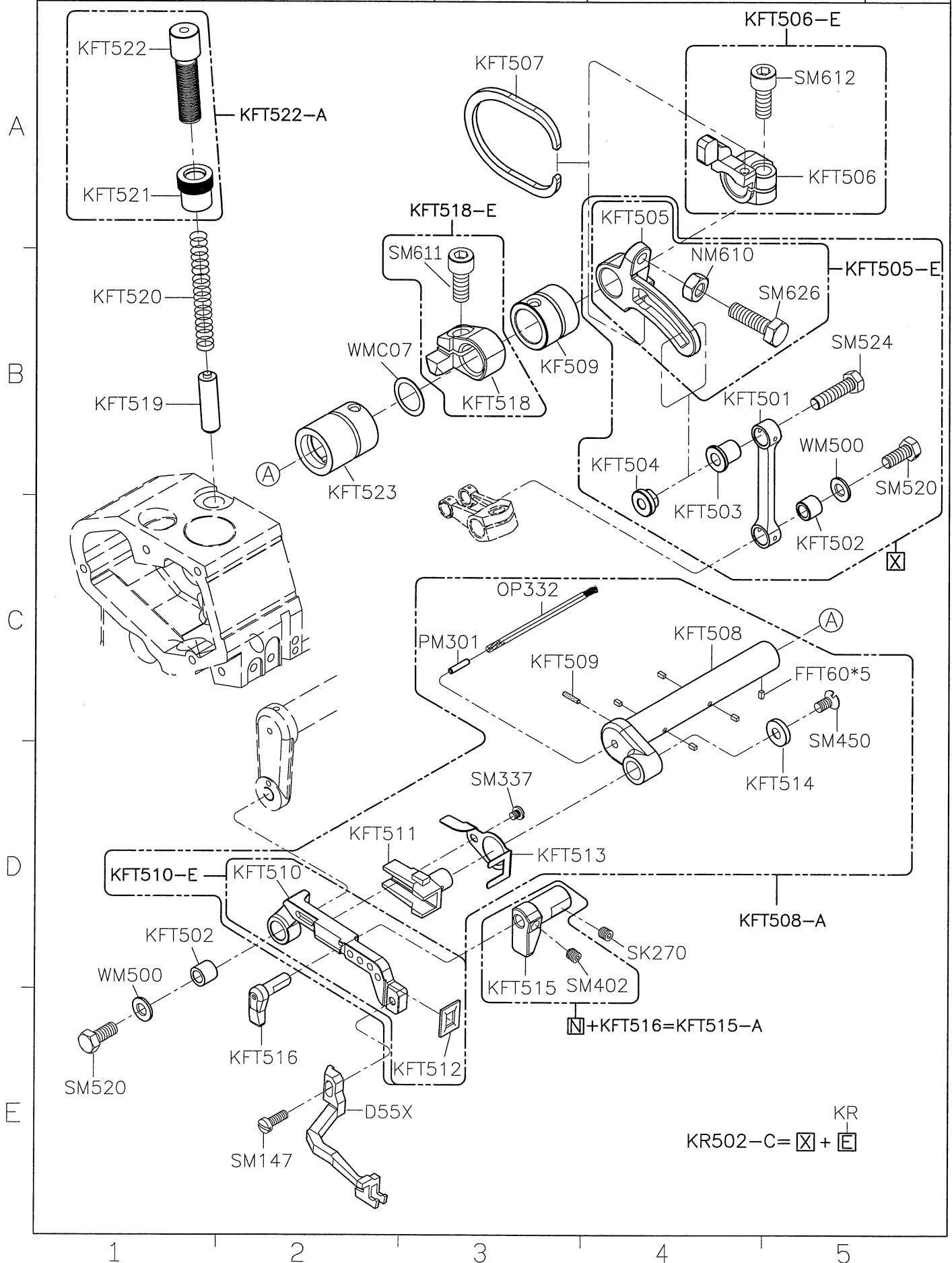
SIRUBA PARTS LIST	Series	Parts Group	Subclass / Remark	Page
	700KST	KY		1/1
				Date
				2017/7/5

A B C D E	KY01-1 防塵罩 	KY02F-A 油罐 	KY03 油壺 	KY04 漏斗 	KY14 內六角螺絲起子 
	LY33 一字起子 	KY18 鑷子 	SK216 螺絲 	KY201 工具袋 	KY30 針板紙 
	KR55 下刀片 	KT14-A 濾油器 	KZ03 乾燥劑 	針*5 車針 	KZ508 使用說明書 
	LY35 一字起子 	KY21-A/MY21-A 鉤子/鍊條 			

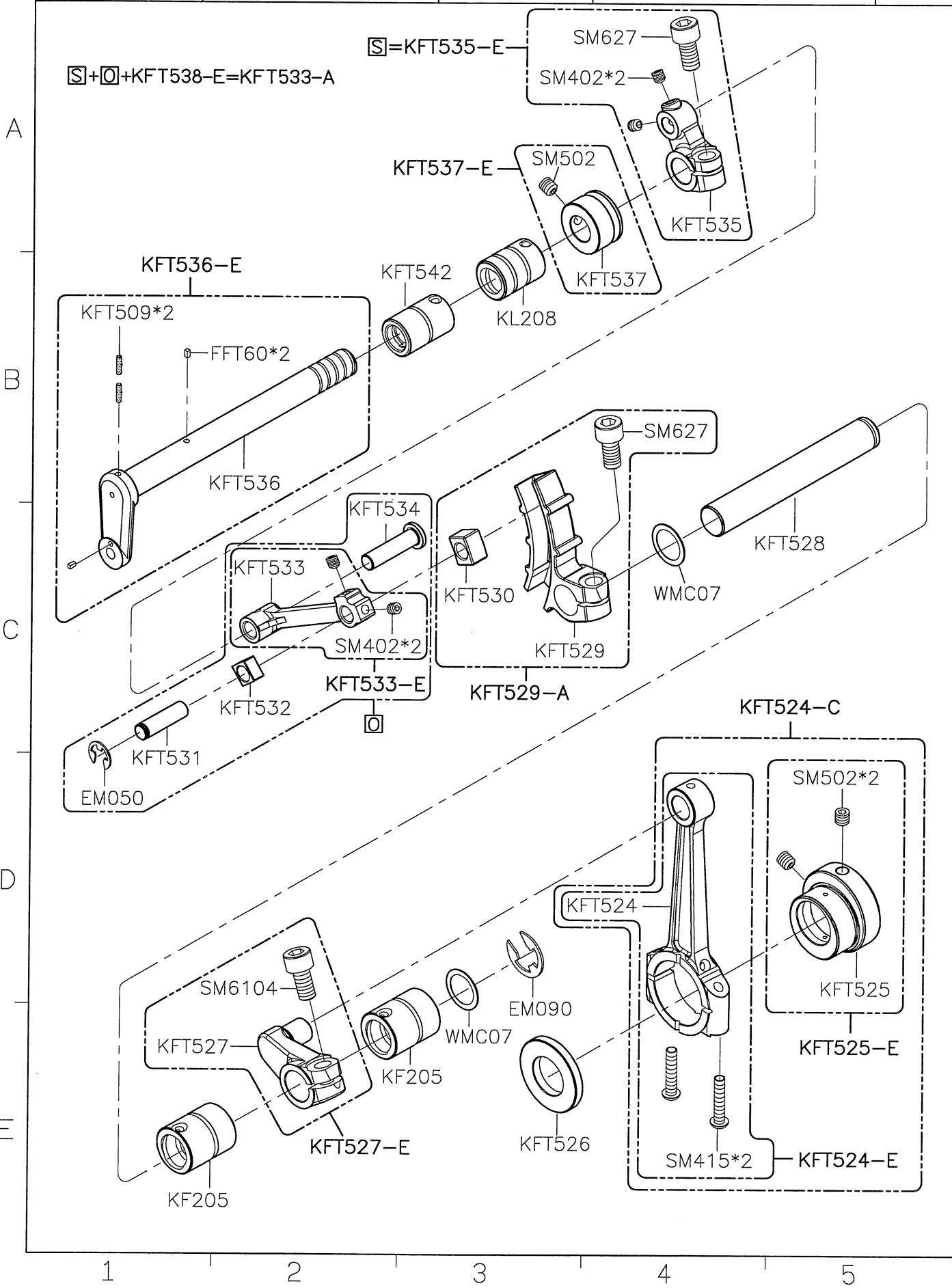
SIRUBA PARTS LIST	Series	Parts Group	Subclass / Remark	Page
	700KST	KZ		1/1
				Date
				2013/10/09



SIRUBA PARTS LIST	Series	Parts Group	Subclass / Remark	Page
	700KST	FT		1/4
				Date
				2015/07/21



SIRUBA PARTS LIST	Series	Parts Group	Subclass / Remark	Page
	700KST	FT		2/4
				Date
				2014/10/22



SIRUBA PARTS LIST	Series	Parts Group	Subclass / Remark	Page
	700KST	FT		3/4
				Date
				2015/06/23

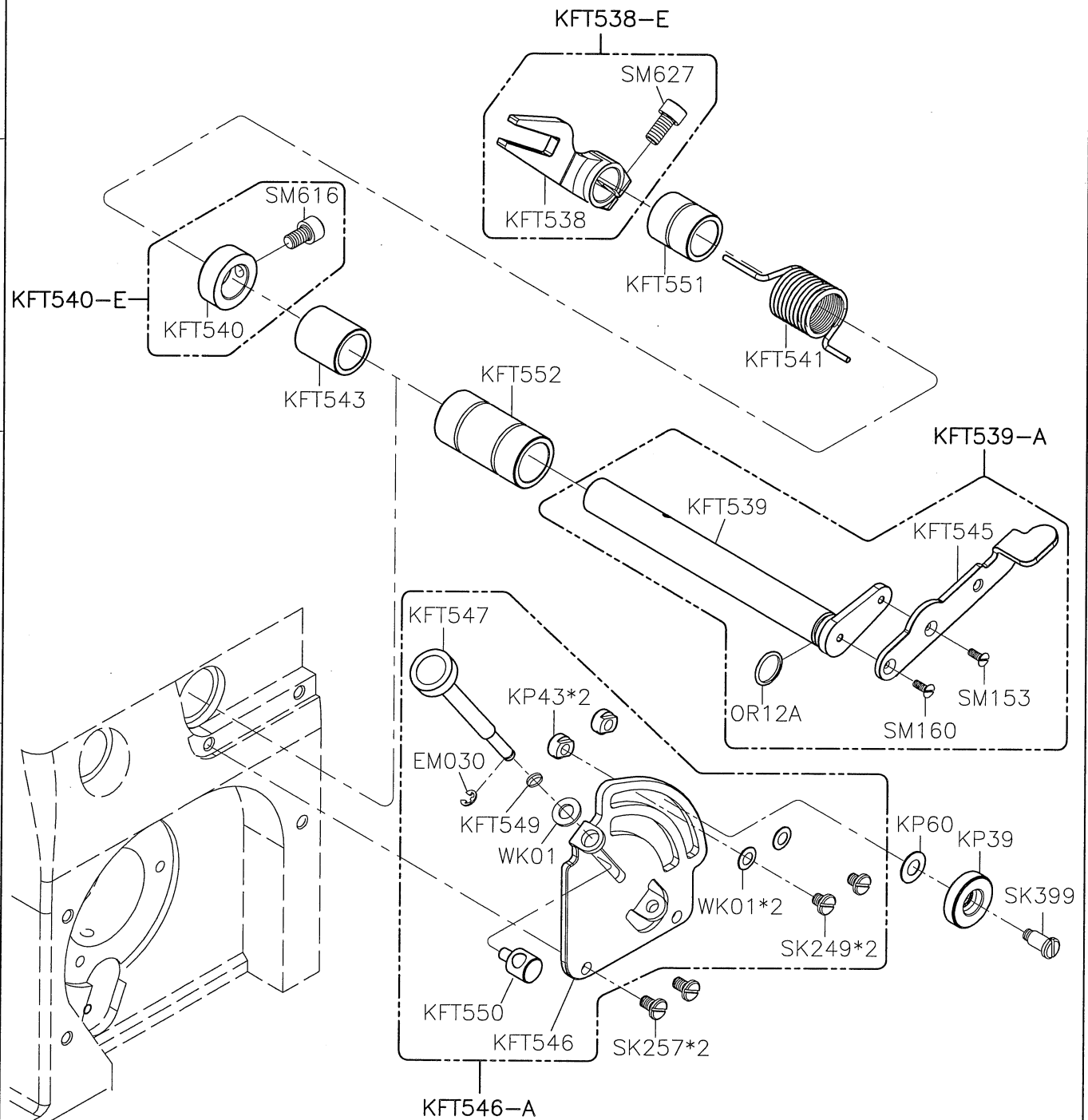
A

B

C

D

E



1

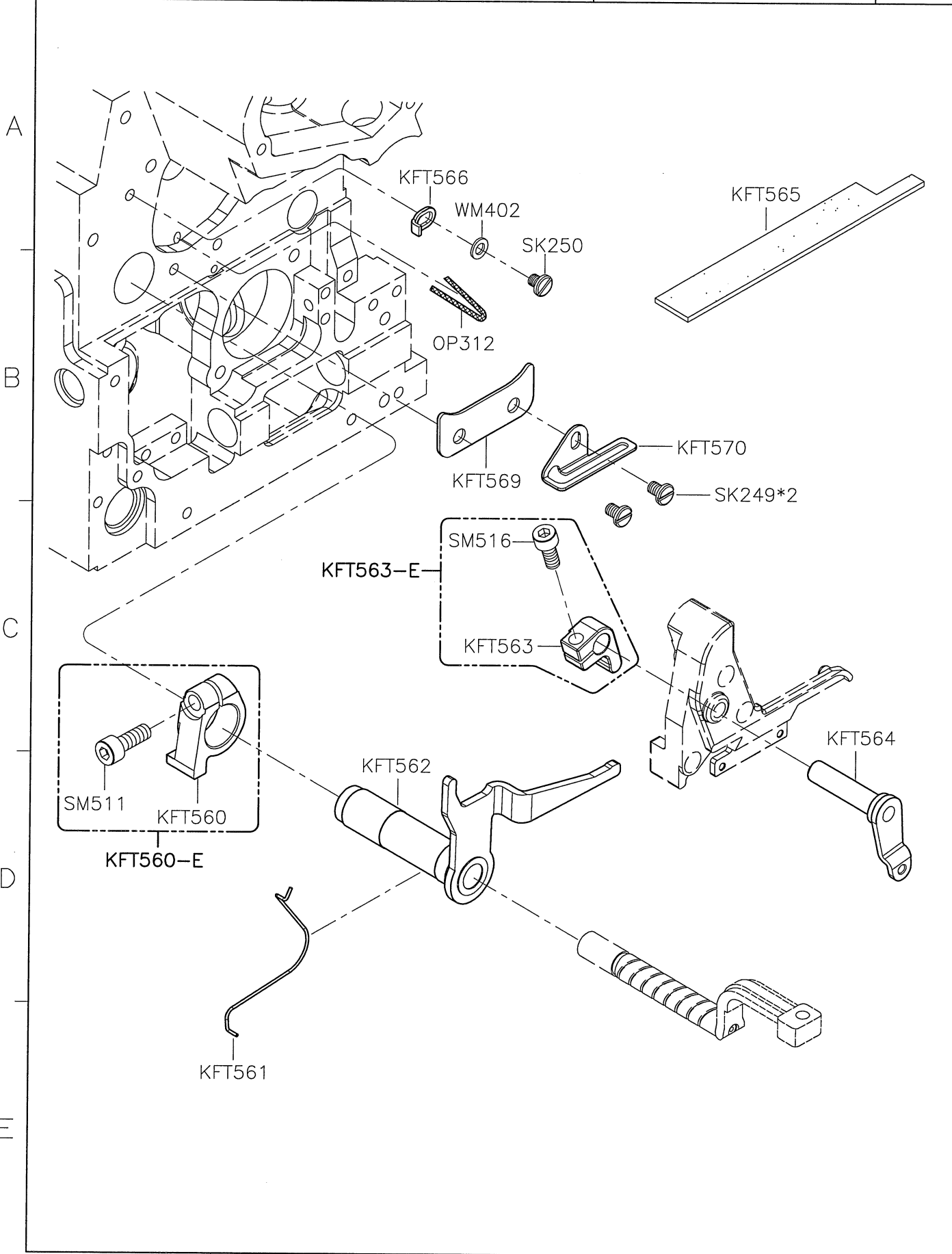
2

3

4

5

SIRUBA PARTS LIST	Series	Parts Group	Subclass / Remark	Page
	700KS/T	FT		4/4
				Date
				2014/05/30



SIRUBA

TABLE
CUT - OUT

Series

700KS/T

Item Code

700KS-T

Subclass Remark

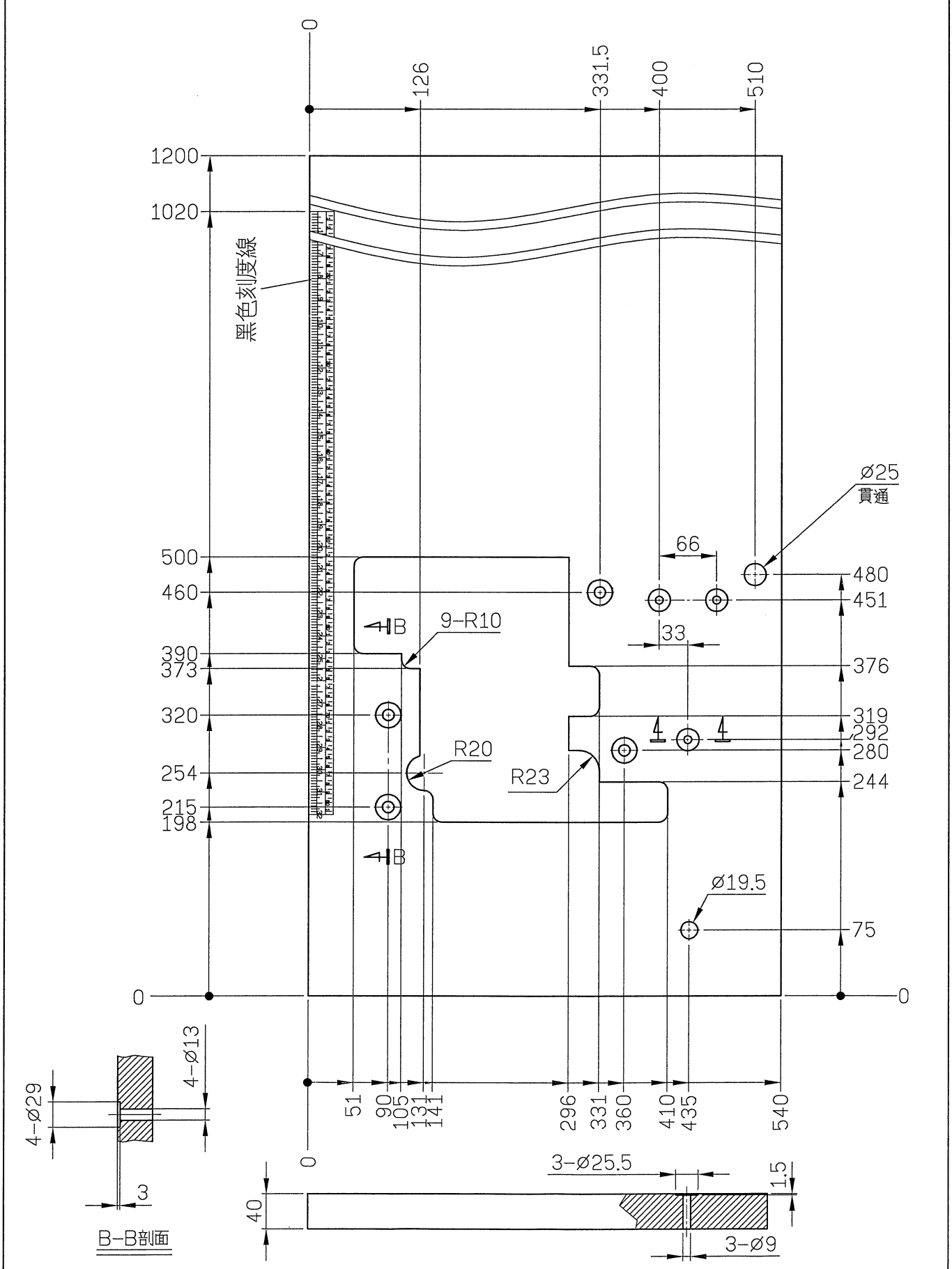
UNIT: mm
TOLERANCE: ± 2
WEIGHT: 11.6 kg $\pm 5\%$

Mounting

Semi-submerged

Date

2014/06/18



SIRUBATABLE
CUT - OUT

Series

700KS/T

Item Code

700KS-T1

Subclass Remark

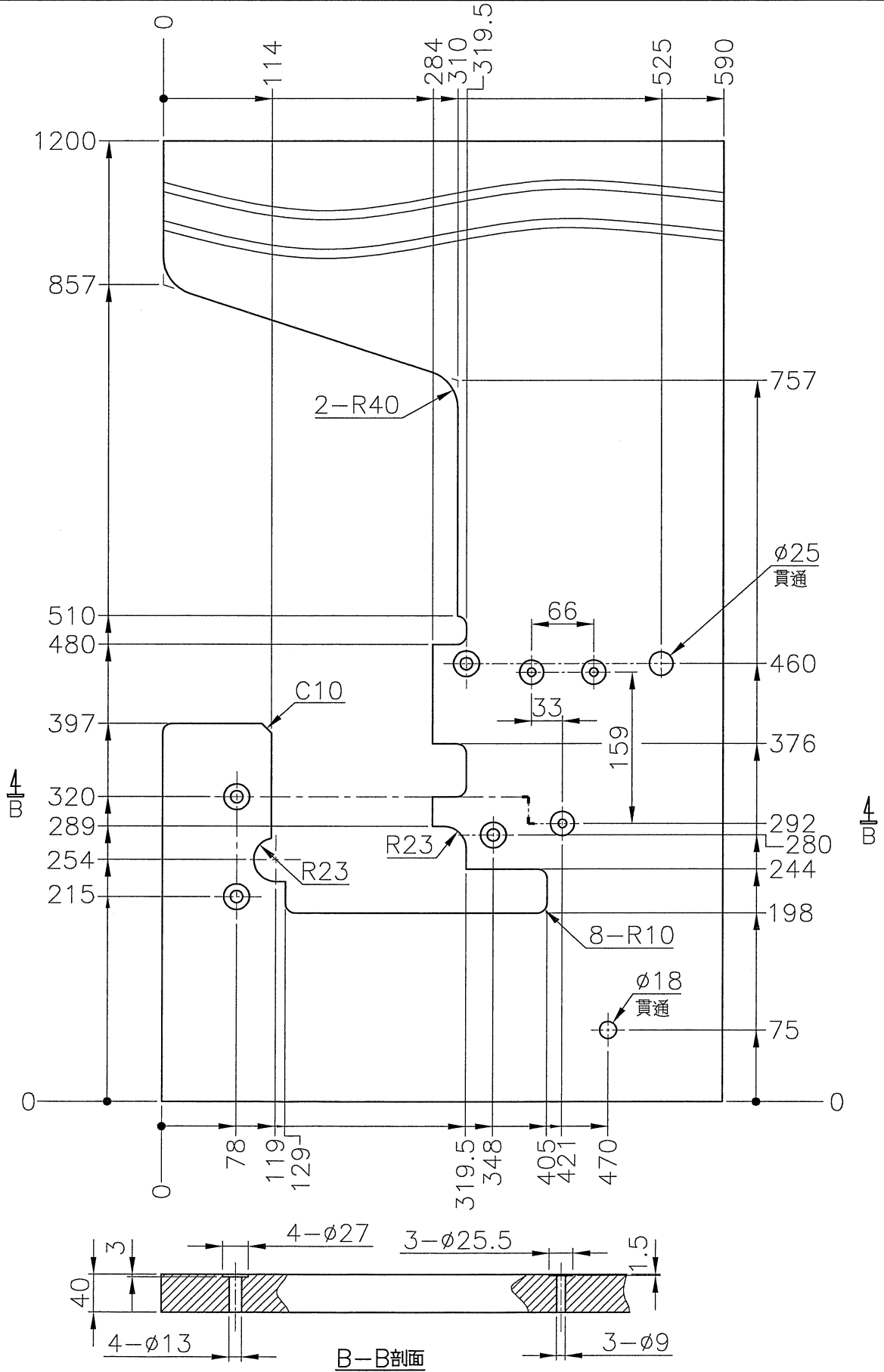
UNIT: mm
TOLERANCE: ± 2
WEIGHT: 11.6 kg $\pm 5\%$

Mounting

Semi-submerged

Date

2013/09/30



SIRUBA

TABLE
CUT - OUT

Series

700KS/T

Item Code

700KS-T2

Subclass Remark

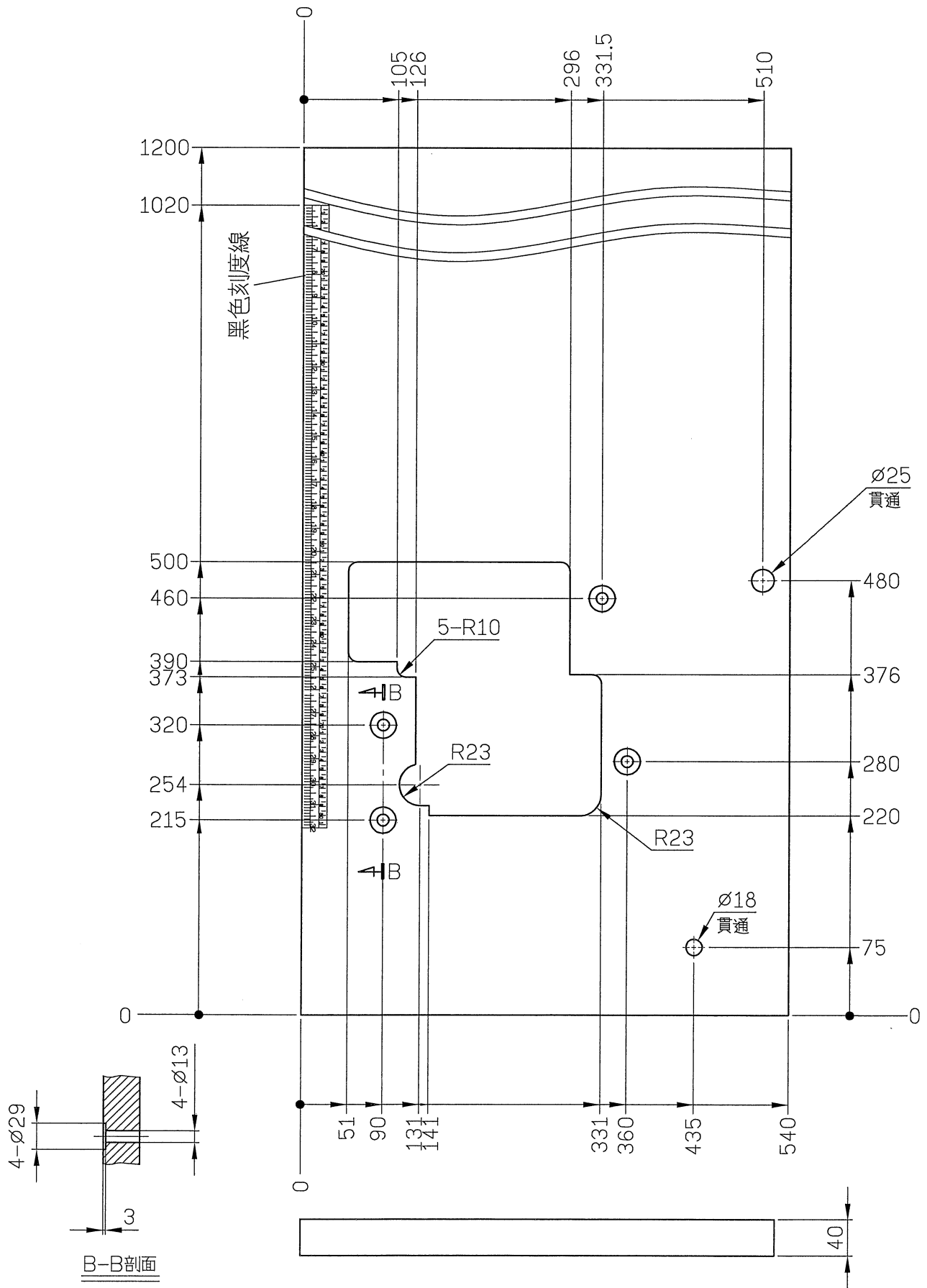
UNIT: mm
TOLERANCE: ± 2
WEIGHT: 11.6 kg $\pm 5\%$

Mounting

Semi-submerged
installation

Date

2014/06/18



SIRUBATABLE
CUT - OUT

Series

700KS/T

Item Code

700KS-T3

Subclass Remark

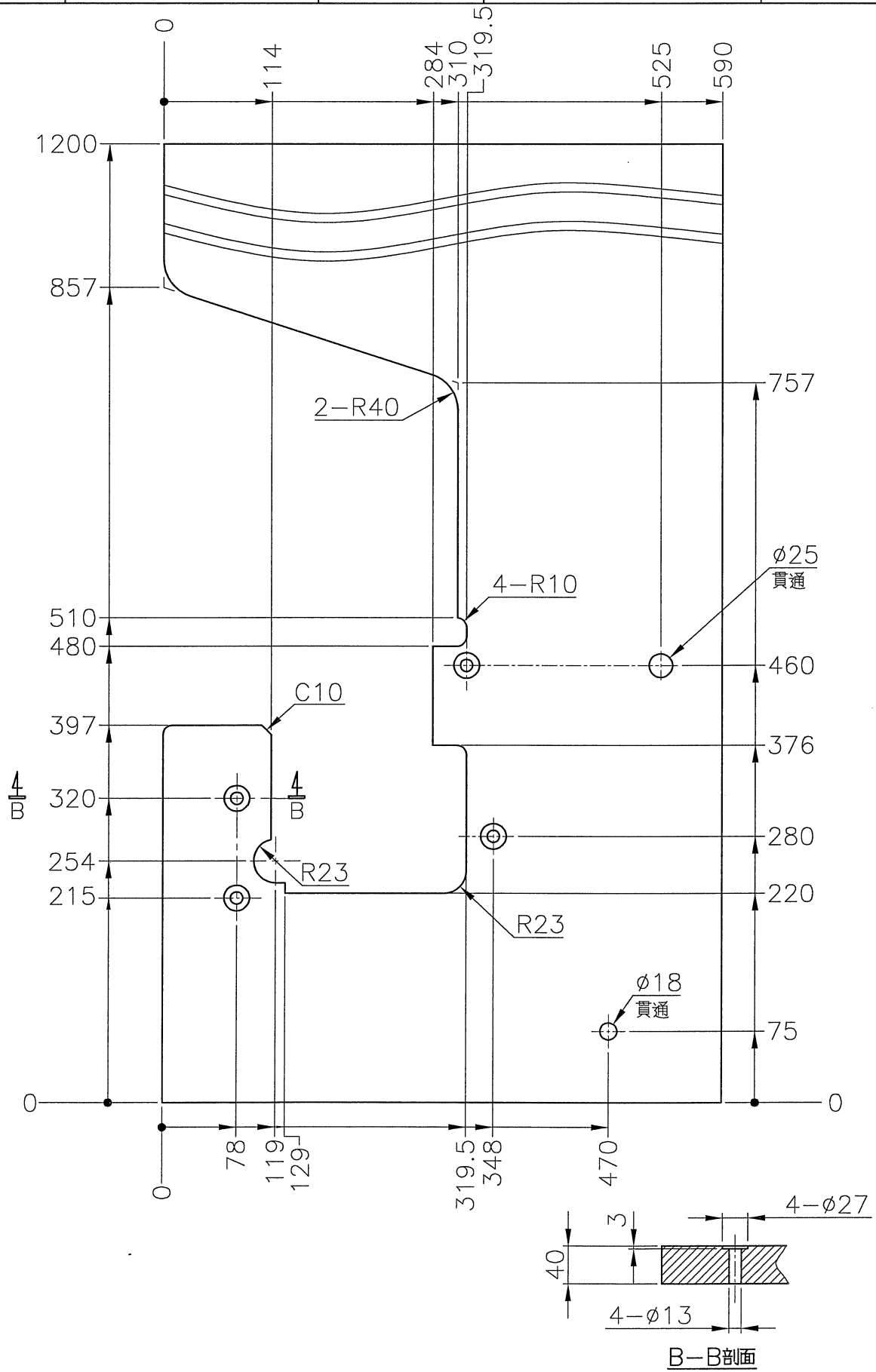
UNIT: mm
TOLERANCE: ± 2
WEIGHT: 11.6 kg $\pm 5\%$

Mounting

Semi-submerged
installation

Date

2014/06/05



SIRUBA

TABLE
CUT - OUT

Series

700KS/T

Item Code

700KS-T4

Subclass Remark

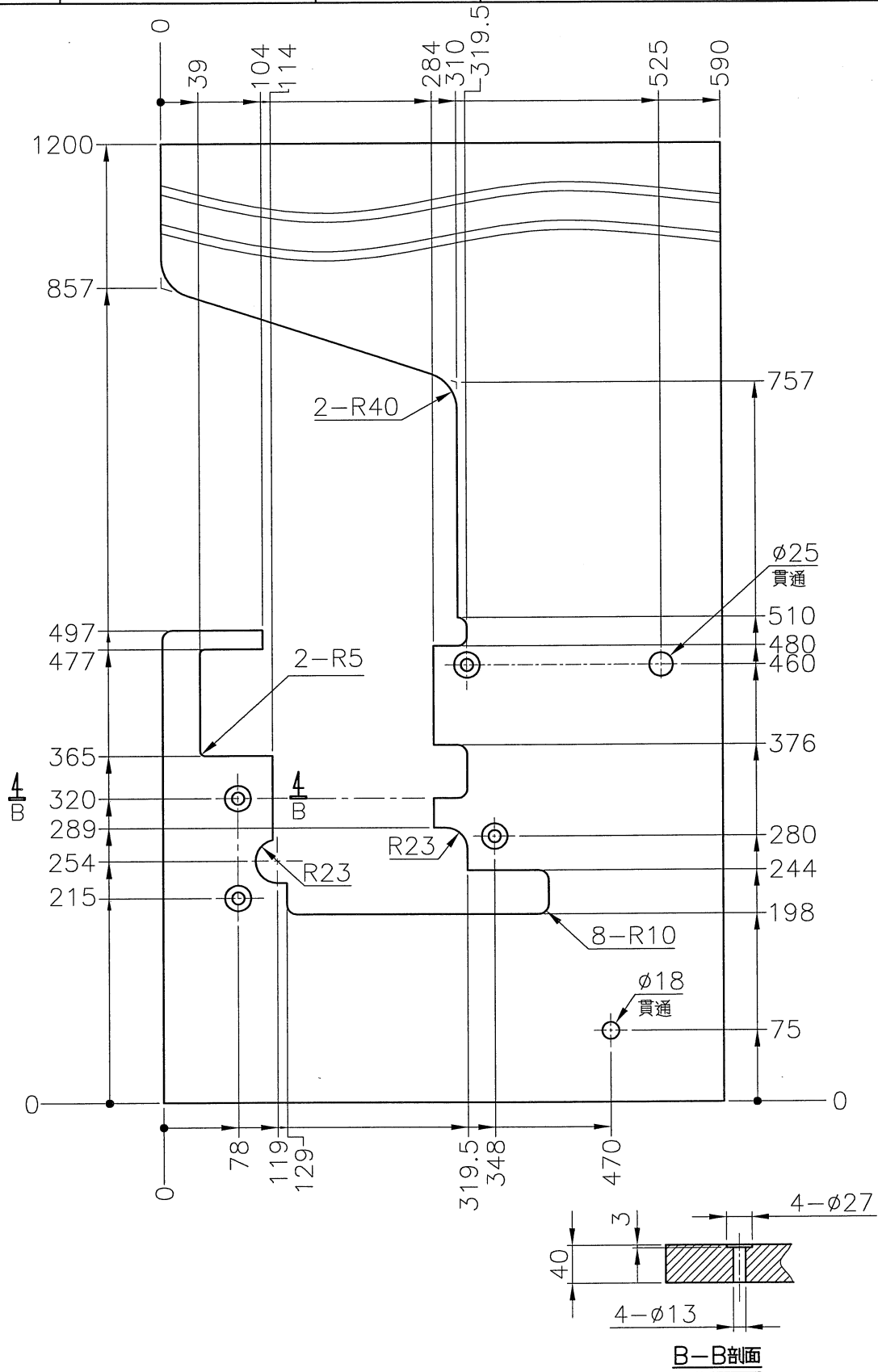
UNIT: mm
TOLERANCE: ± 2
WEIGHT: 11.6 kg $\pm 5\%$

Mounting

Semi-submerged
installation

Date

2016/08/08



SIRUBATABLE
CUT - OUT

Series

700KS/T

Item Code

700KS-T5

Subclass Remark

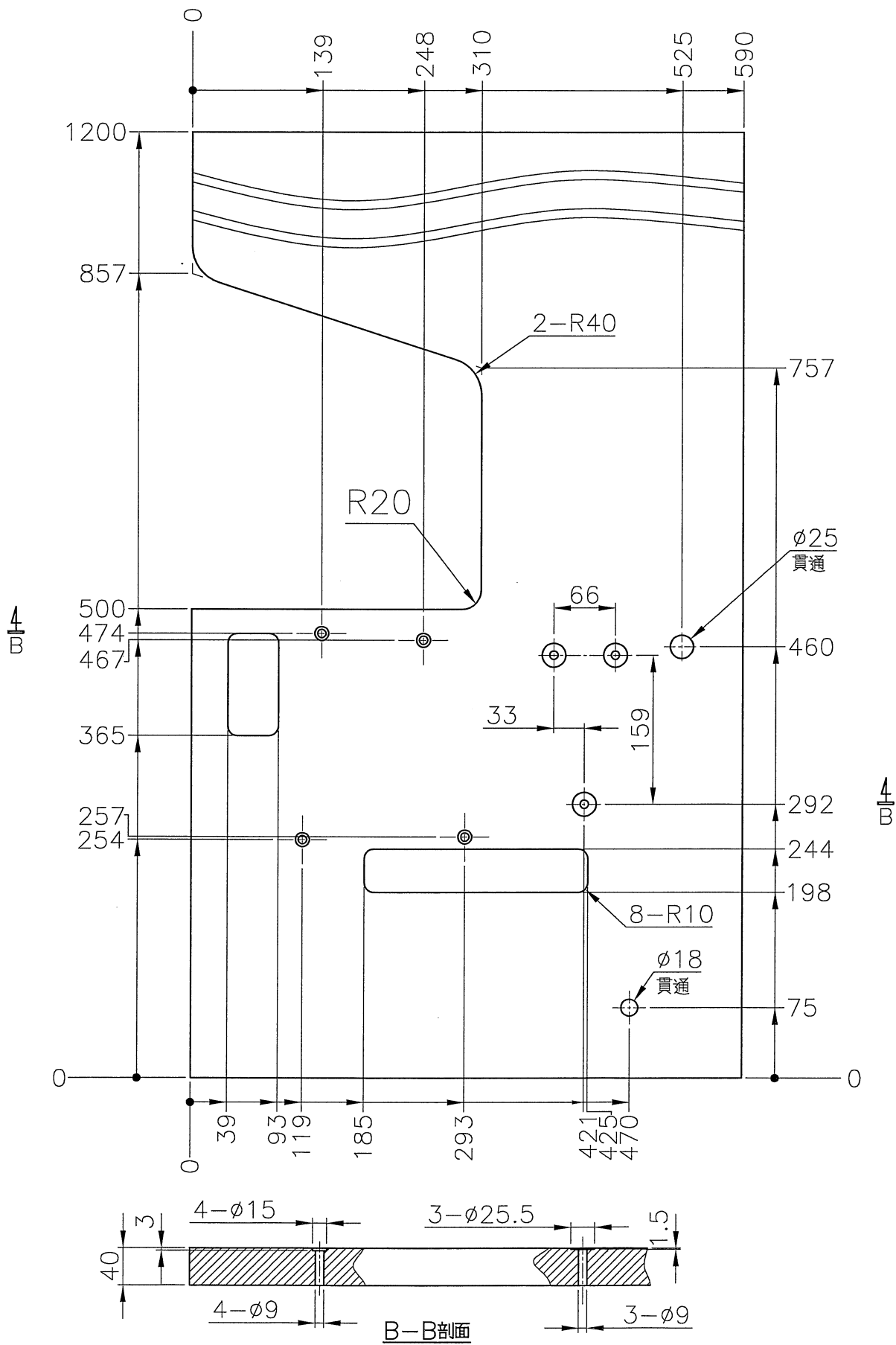
UNIT: mm
TOLERANCE: ± 2
WEIGHT: 11.6 kg $\pm 5\%$
For:LFD M/C 需配SM899-A

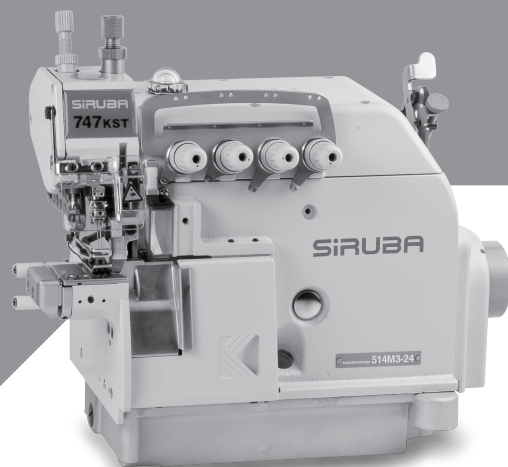
Mounting

Non-submerged

Date

2014/10/17





 高林股份有限公司
KAULIN MFG. CO., LTD.

由於對產品的改良及更新，本產品使用說明書中與零件圖之產品及外觀的修改恕不事先通知！
The specification and/or appearances of the equipment described in this instruction book & parts list are subject to change because of modification which will without previous notice.
700KST.MAY.2015