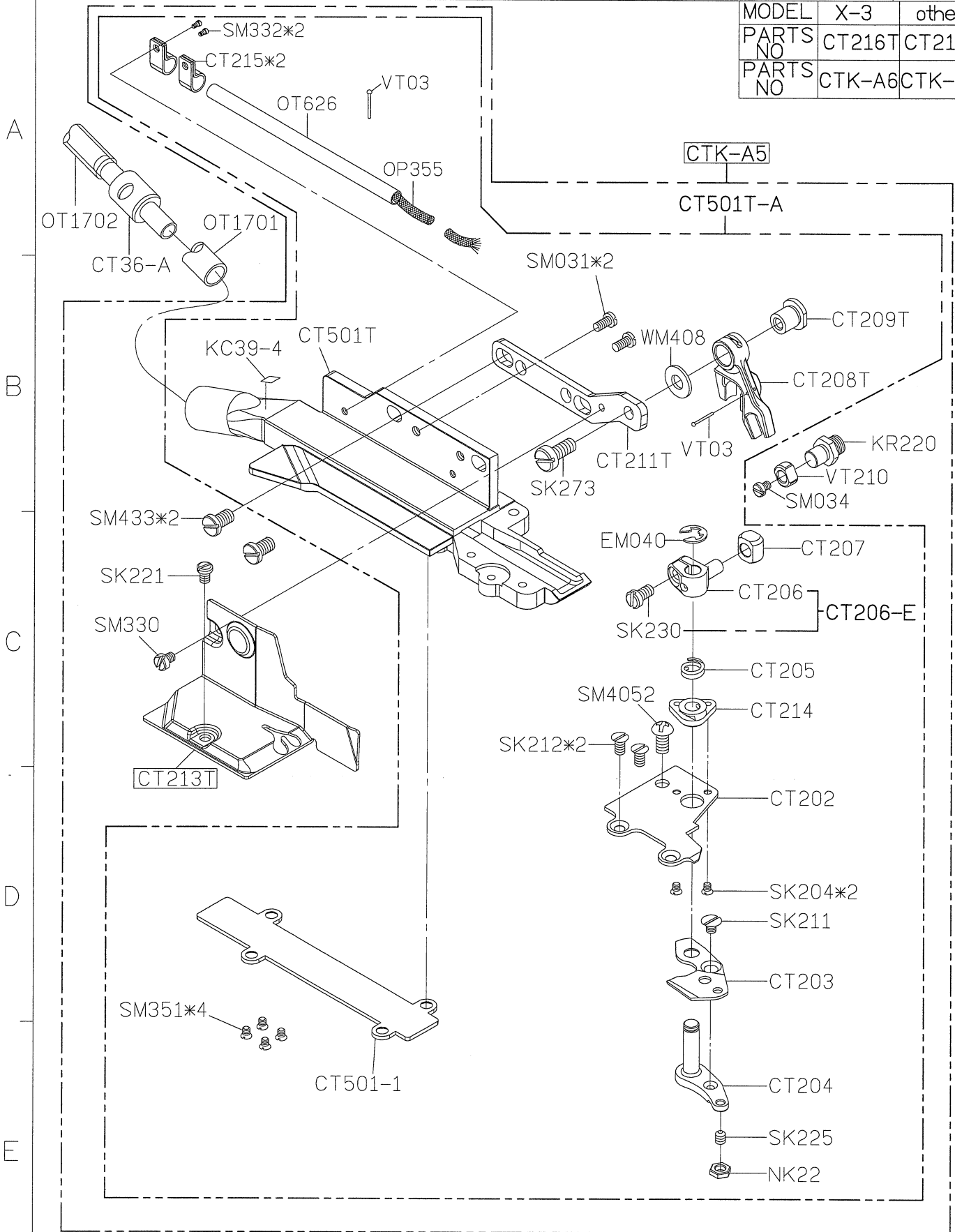


| | | | | |
|-----------------------------|--------|-------------|-------------------|------------|
| SIRUBA PARTS LIST | Series | Parts Group | Subclass / Remark | Page |
| | 700KT | CT-KT | | 1/1 |
| | | | | Date |
| | | | | 2019/01/07 |

| | | |
|----------|--------|--------|
| MODEL | X-3 | other |
| PARTS NO | CT216T | CT213T |
| PARTS NO | CTK-A6 | CTK-A5 |



SIRUBA

PARTS LIST

Series

700K/700KD
988/988D
700KT

Parts Group

GA-K

Subclass / Remark

Page

1/1

Date

2017/09/15

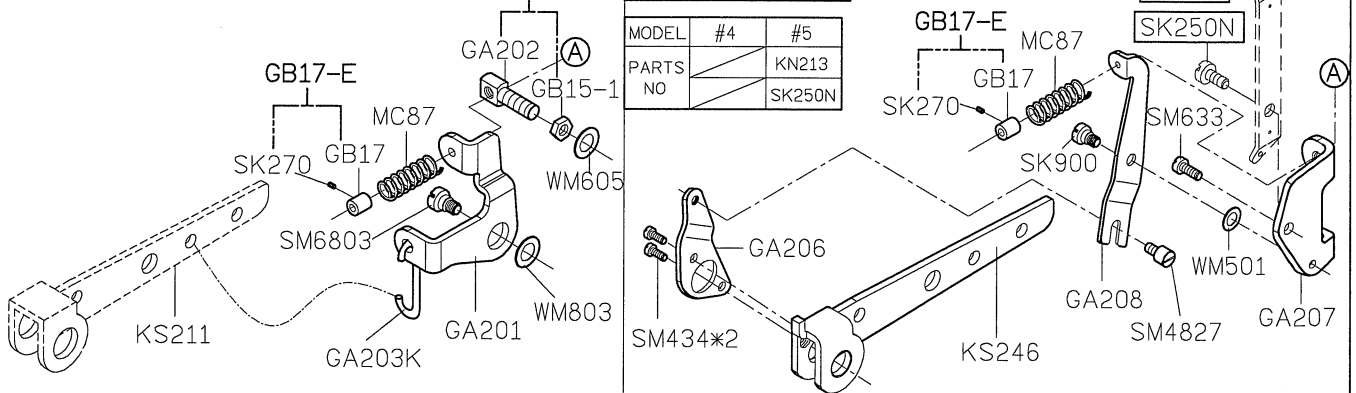
FOR 700K/988/700KT

GA202-E

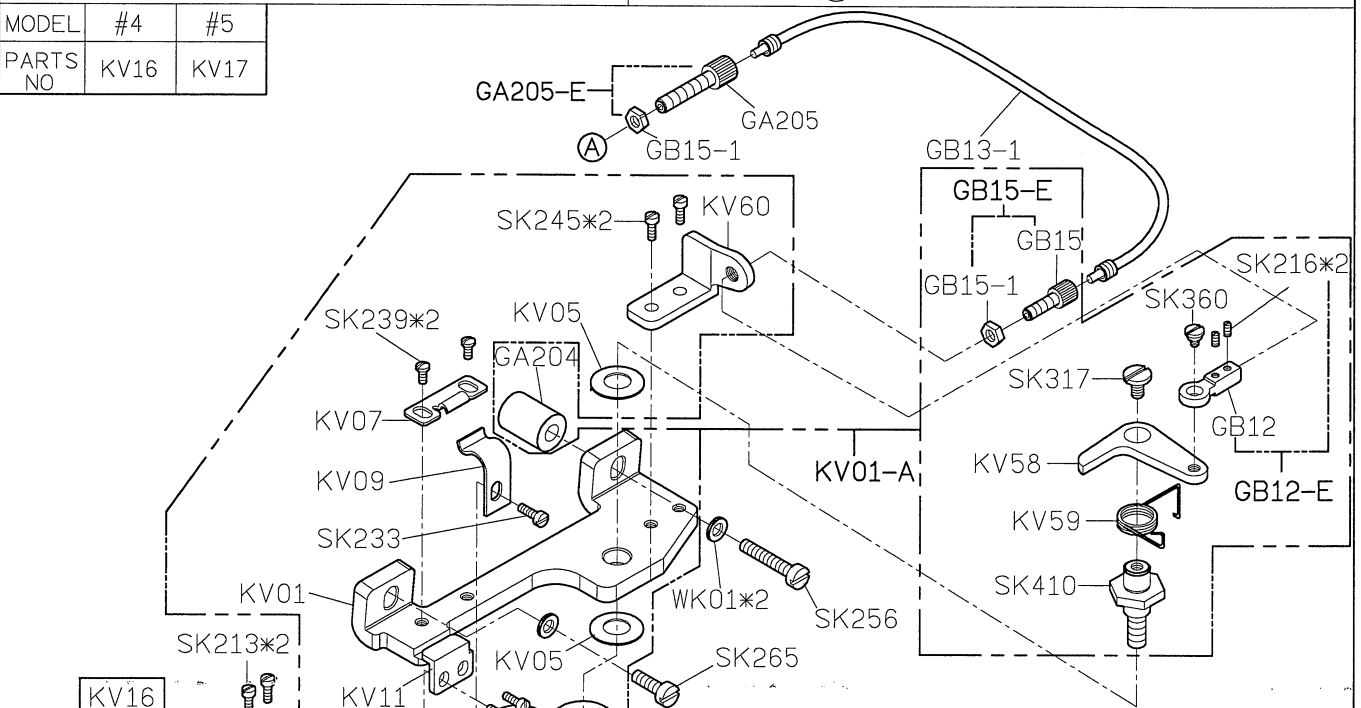
FOR 700KD/988D

KN213

A



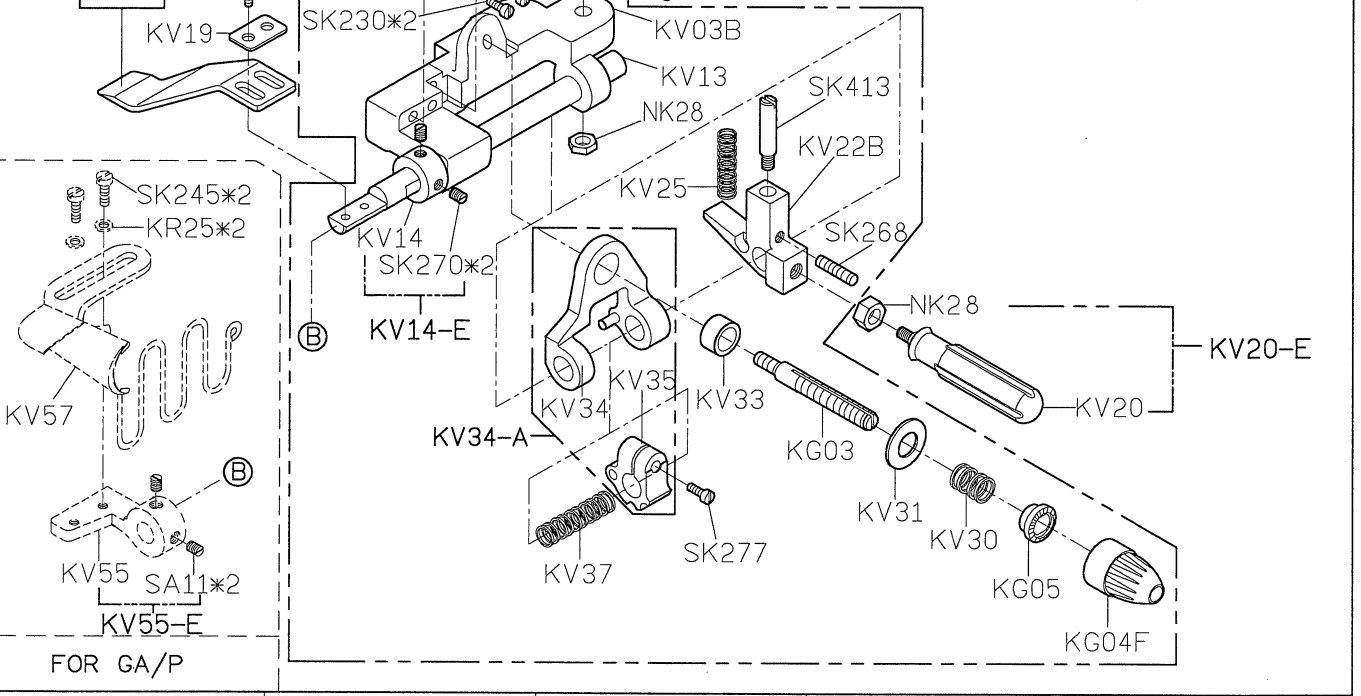
B



C

D

E



FOR GA/P

1

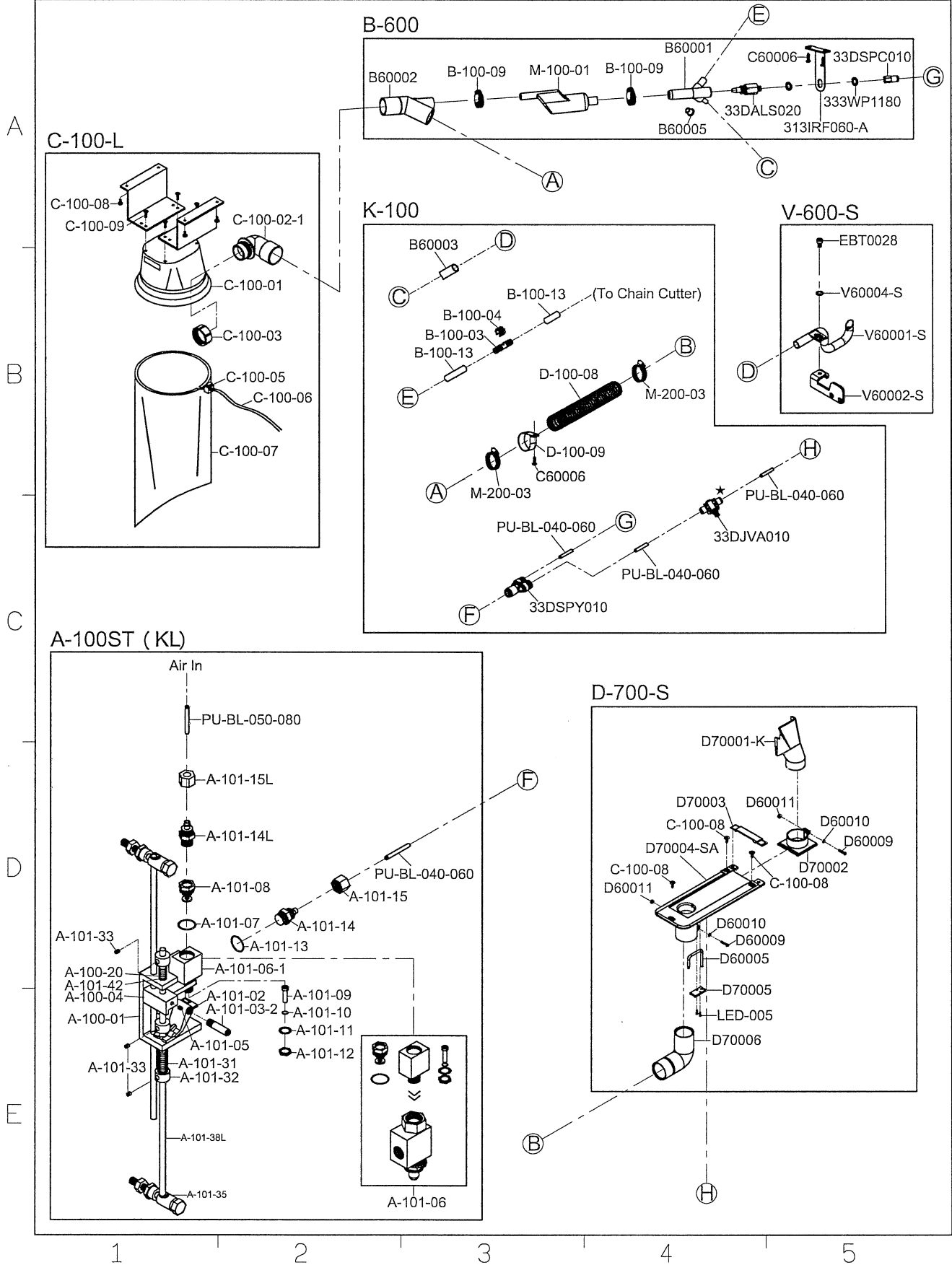
2

3

4

5

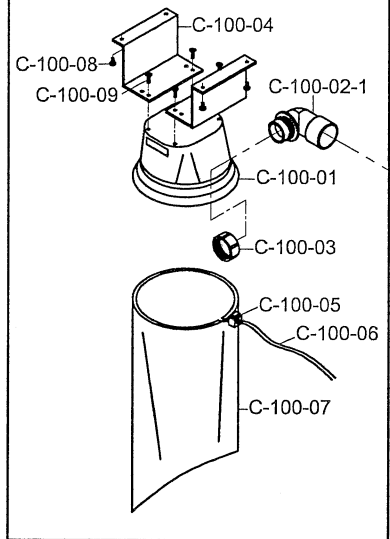
| SIRUBA PARTS LIST | Series | Parts Group | Subclass / Remark | Page |
|----------------------|----------------|-------------|---|---------------------------|
| | 拷克 Overlock | TUA-31 | Note 註記: 1) ★ Before installation, please check one side is Air IN, another side is Air OUT. 2) 空氣有效使用壓力 Effective air pressure: 4~6 kg/cm 3) 請適度修剪管子長度, 以達到風力最佳效能。 | 1/1 Date 2016/11/02 |



Note 註記:
1) ★ Before installation, please check one side is Air IN, another side is Air OUT.
2) 空氣有效使用壓力
Effective air pressure: 4~6 kg/cm
3) 請適度修剪管子長度，以達到風力最佳效能。

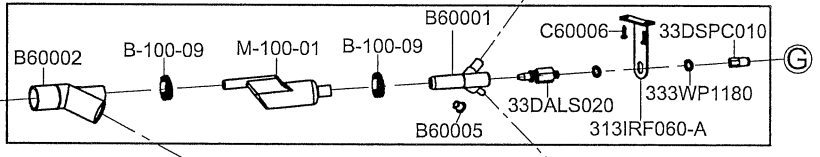
A

C-100-L

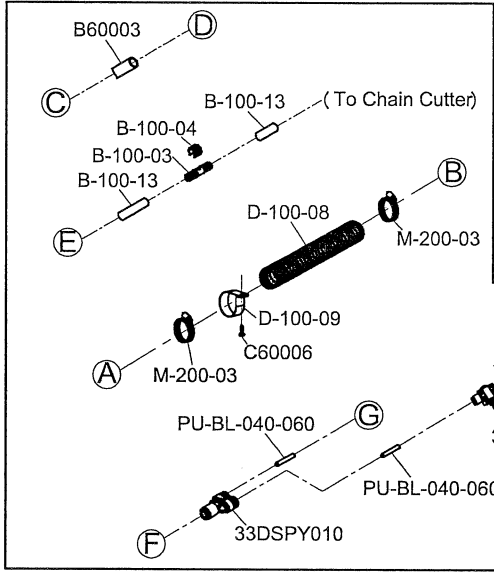


B

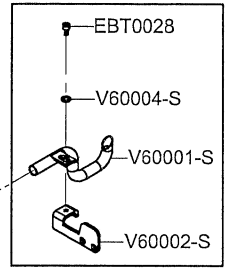
B-600



K-100

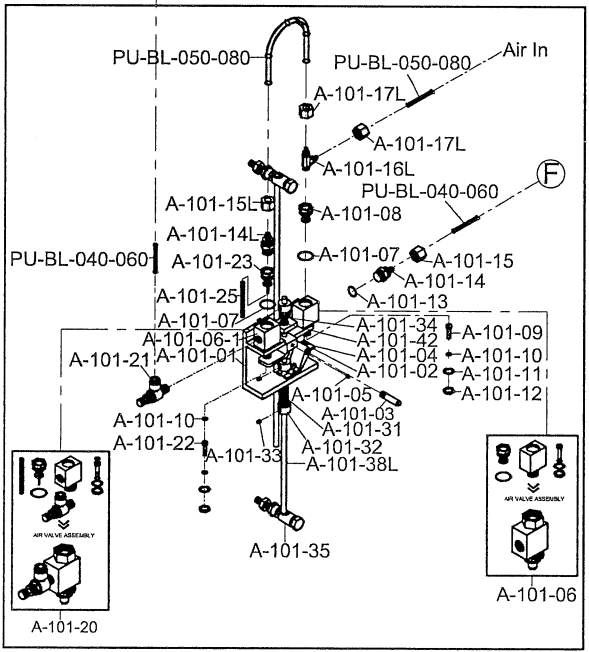


V-600-S



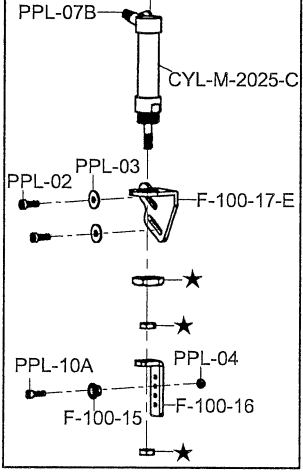
C

A-101ST (KL)

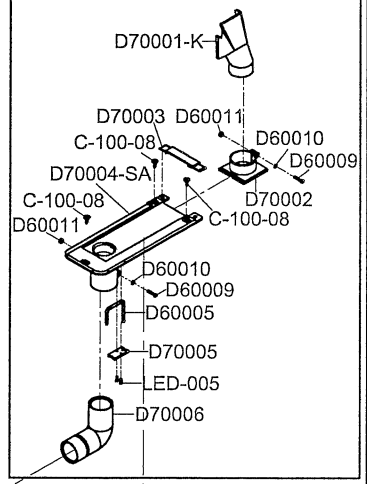


D

F-100-T



D-700-S



E

| SIRUBA PARTS LIST | Series | Parts Group | Subclass / Remark | Page |
|----------------------|--------|-------------|---|---------------------------|
| | 700KT | TUA-34KT | Note 註記: 1) ★ Before installation, please check one side is Air IN, another side is Air OUT. 2) 空氣有效使用壓力 Effective air pressure: 4-6 kg/cm 3) 請適度修剪管子長度, 以達到風力最佳效能。 | 1/1 Date 2016/11/02 |

