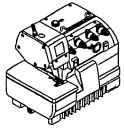

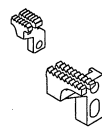





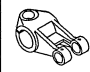


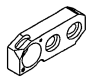

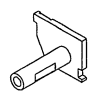

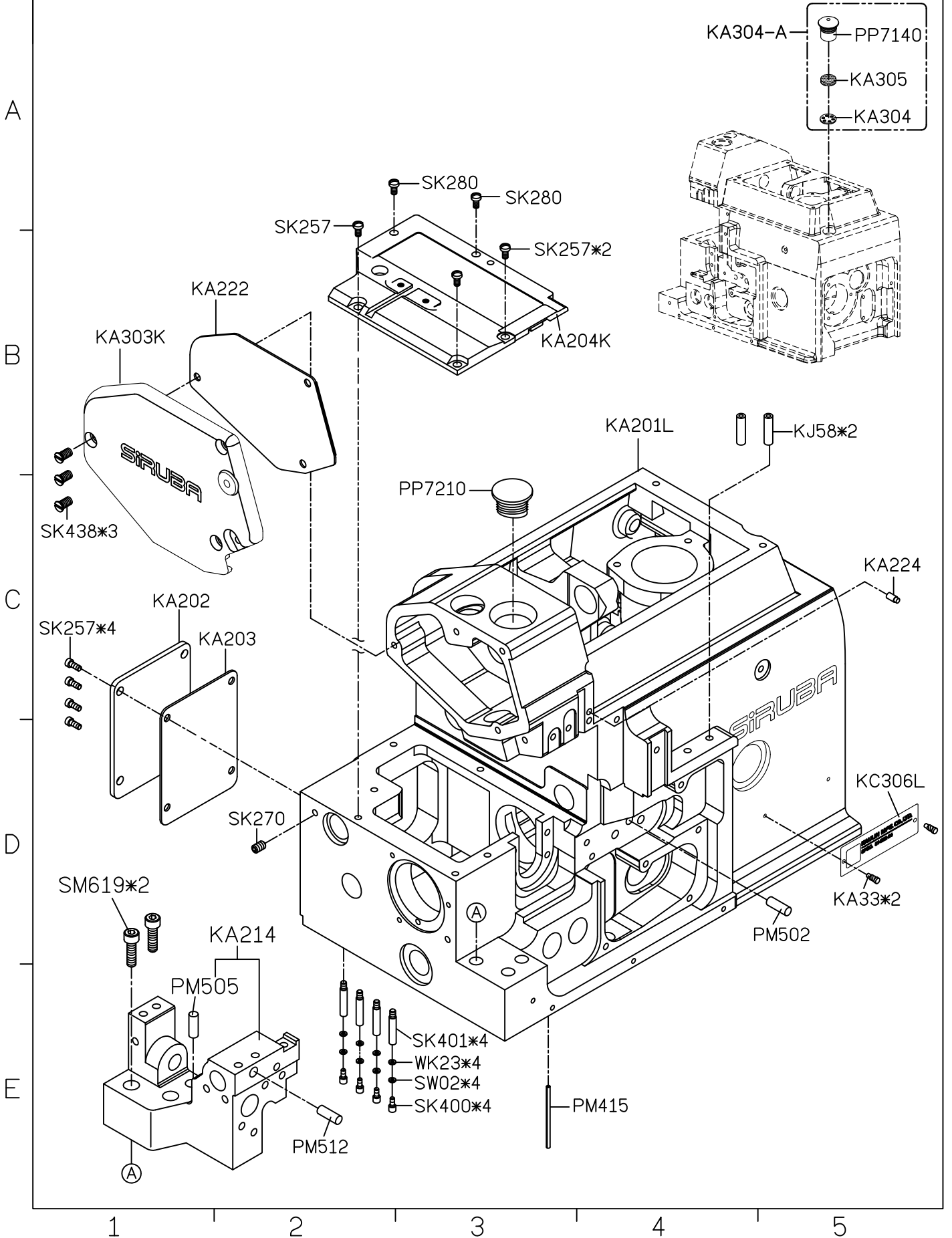


SIRUBA GAGE PARTS LIST		Series						Remark						Page	Date		
		700L												1 / 2	2016/12/15		
																	
機 型 MODEL		針板 NEEDLE PLATE	送具 FEED DOG	送具 FEED DOG	押具 PRESSER FOOT	勾 針 LOOPER	針留 NEEDLE CLAMP	束 子 COLLER	衝 程 CRANK	衝 程 CRANK	大 心 Crankshaft	勾針連桿座 Upper Looper Holder	過線器 Bracket	下刀架 Lower Knife Holder	針 號 NEEDLE		
737L	503M-3-04	E268	D210K	D207	H204K	P220-A1	LP231	KG231K-E	KJ247-E	KF203-E	KJ206-E	KD201J	KJ236K	KJ219	KR209	DCX27#11	
	504F-2-04	E250	D201K	D207	H201K	P201-14A	LP225	KG231K-E	KJ247-E	KF203-E	KJ206-E	KD201J	KJ236K	KJ219	KR209	DCX27#9	
	504F-2-15	E275	D201K	D217	H201K	P214P-A	LP225	KG231K-E	KJ247-E	KF203-E	KJ206-E	KD201J	KJ236K	KJ219	KR209	DCX27#9	
	504F-2-02/GAL	E233K	D201K	D217	H201K	P214P-2A	LP225	KG231K-E	KJ247-E	KF203-E	KJ206-E	KD201J	KJ236K	KJ219	KR209	DCX27#9	
	504M-2-15	E207K	D201K	D209	H201K	P211-A	LP225	KG231K-E	KJ247-E	KF203-E	KJ206-E	KD201J	KJ236K	KJ219	KR209	DCX27#9	
	504M-3-04	E268	D210K	D207	H204K	P220-A1	LP225	KG231K-E	KJ247-E	KF203-E	KJ206-E	KD201J	KJ236K	KJ219	KR209	DCX27#11	
	504M-3-04/LFC-3	E268	D210K	D207	H204K	P216-3	LP225	KG231K-E	KJ247-E	KF203-E	KJ206-E	KD201J	KJ236K	KJ219	KR209	DCX27#11	
	504M-3-04TR	E268	D210K	D207	H204K	P216-3	LP225	KG231K-E	KJ247-E	KF203-E	KJ206-E	KD201J	KJ236K	KJ219	KR209	DCX27#11	
	WR/LFC-3	E246					LP225	KG231K-E	KJ247-E	KF203-E	KJ206-E	KD201J	KJ236K	KJ219			DCX27#11
	504M-3-05	E274	D210K	D207	H204K	P220-A1	LP225	KG231K-E	KJ247-E	KF203-E	KJ206-E	KD201J	KJ236K	KJ219	KR209	DCX27#11	
	504M-3-05/PZ	E274	D210K	D207	H204K	P257-A	LP225	KG231K-E	KJ247-E	KF203-E	KJ206-E	KD201J	KJ236K	KJ219	KR209	DCX27#18	
	504M-7-04/BK	E232	D203K	D207	H203K	P202-2A	LP225	KG231K-E	KJ247-E	KF203-E	KJ206-E	KD201J	KJ236K	KJ219	KR209	DCX27#11	
504M-7-04/BK-1	E232	D203K	D207	H203K	P202-2A	LP225	KG231K-E	KJ247-E	KF203-E	KJ206-E	KD201J	KJ236K	KJ219	BK239	DCX27#11		
505F-2-04	E250	D201K	D207	H201K	P203-A	LP225	KG231K-E	KJ247-E	KF203-E	KJ206-E	KD201J	KJ236K	KJ219	KR209	DCX27#9		
747L	512M-3-25	E276	D210K	D207	H204K	P220-A2	LP228	KG242K-E	KJ247-E	KF215-E	KJ203-E	KD201J	KJ208K	KJ219	KR209	DCX27#11*2	
	512M-3-34	E236	D210K	D207	H204K	P214-A	LP228	KG254K-E	KJ247-E	KF215-E	KJ203-E	KD201J	KJ228K	KJ219	KR209	DCX27#14*2	
	514M-8-24/GA	E252	D202K	D207	H202K	P204-A	LP226	KG242K-E	KJ246-E	KF203-E	KJ203-E	KD201J	KJ208K	KJ219	KR209	DCX27#11*2	
	514M-8-24/GA/P	E252	D202K	D207	H202K	P204P-A	LP226	KG242K-E	KJ246-E	KF203-E	KJ203-E	KD201J	KJ208K	KJ219	KR209	DCX27#11*2	
	514M-3-24	E252	D210K	D207	H204K	P220-A2	LP226	KG242K-E	KJ246-E	KF203-E	KJ203-E	KD201J	KJ208K	KJ219	KR209	DCX27#11*2	
	514M-3-24/TG	E252	D210K	D207	H204K	P226-A	LP226	KG242K-E	KJ246-E	KF203-E	KJ203-E	KD201J	KJ208K	KJ219	KR209	DCX27#11*2	
	514M-3-24/LFC-3	E252	D210K	D207	H204K	P216-4	LP226	KG242K-E	KJ246-E	KF203-E	KJ203-E	KD201J	KJ208K	KJ219	KR209	DCX27#11*2	
	514M-3-25	E276	D210K	D207	H204K	P220-A2	LP226	KG242K-E	KJ246-E	KF203-E	KJ203-E	KD201J	KJ208K	KJ219	KR209	DCX27#11*2	
	514M-3-25TG	E276	D210K	D207	H204K	P226-A	LP226	KG242K-E	KJ246-E	KF203-E	KJ203-E	KD201J	KJ228K	KJ219	KR209	DCX27#11*2	
	514M-3-25/LFC-3	E276	D210K	D207	H204K	P216-4	LP226	KG242K-E	KJ246-E	KF203-E	KJ203-E	KD201J	KJ208K	KJ219	KR209	DCX27#11*2	
	514H-3-28	E239	D210K	D207	H204K	P201-8A	LP227A	KG242K-E	KJ248-E	KF203-E	KJ203-E	KD201JA	KJ228K	KJ238	KR209	DCX27#11*2	
	514M-3-23	E251	D210K	D209	H204K	P220-A2	LP226	KG242K-E	KJ246-E	KF203-E	KJ203-E	KD201J	KJ208K	KJ219	KR209	DCX27#11*2	
	514M-7-23/BK	E210	D203K	D207	H203K	P202-A	LP226	KG242K-E	KJ246-E	KF203-E	KJ203-E	KD201J	KJ208K	KJ219	KR209	DCX27#11*2	
	514M-7-23/BK-1	E210	D203K	D207	H203K	P202-A	LP226	KG242K-E	KJ246-E	KF203-E	KJ203-E	KD201J	KJ208K	KJ219	BK239	DCX27#11*2	

SIRUBA GAGE PARTS LIST		Series							Remark							Page	Date
		700L														2 / 2	2017/07/24
機 型 MODEL		針板 NEEDLE PLATE	送 具 FEED DOG		送 具 FEED DOG	押 具 PRESSER FOOT	勾 針 LOOPER	針留 NEEDLE CLAMP	束 子 COLLER	衝 程 CRANK	衝 程 CRANK	大 心 Crankshaft	勾針連桿座 Upper Looper Holder	過線器 Bracket	下刀架 Lower Knife Holder	針 號 NEEDLE	
747L	514M-7-24/BK	E247	D203K	D207	H203K	P202-A	LP226	KG242K-E	KJ246-E	KF203-E	KJ203-E	KD201J	KJ208K	KJ219	KR209	DCX27#11*2	
	514M-7-24/BK-1	E247	D203K	D207	H203K	P202-A	LP226	KG242K-E	KJ246-E	KF203-E	KJ203-E	KD201J	KJ208K	KJ219	BK239	DCX27#11*2	
	514H-4-24	E226	D212	D207	H210	P220-A	LP230	KG242K-E	KJ248	KF203-E	KJ203-E	KD201JA	KJ228K	KJ238	KR209	DCX27#16*2	
	514H-7-24/BK	E247	D203K	D207	H203K	P202-A	LP230	KG242K-E	KJ248	KF203-E	KJ203-E	KD201JA	KJ228K	KJ238	KR209	DCX27#16*2	
	514H-7-24/BK-1	E247	D203K	D207	H203K	P202-A	LP230	KG242K-E	KJ248	KF203-E	KJ203-E	KD201JA	KJ228K	KJ238	BK239	DCX27#16*2	
	514H-4-24/TG	E226	D212	D207	H210	P226-A	LP230	KG242K-E	KJ248	KF203-E	KJ203-E	KD201JA	KJ228K	KJ238	KR209	DCX27#16*2	
	514H-4-25	E225	D212	D207	H210	P220-A	LP230	KG242K-E	KJ248	KF203-E	KJ203-E	KD201JA	KJ228K	KJ238	KR209	DCX27#16*2	
	514H-7-25/BK	E248	D203K	D207	H203K	P202-A	LP230	KG242K-E	KJ248	KF203-E	KJ203-E	KD201JA	KJ228K	KJ238	KR209	DCX27#16*2	
	514H-7-25/BK-1	E248	D203K	D207	H203K	P202-A	LP230	KG242K-E	KJ248	KF203-E	KJ203-E	KD201JA	KJ228K	KJ238	BK239	DCX27#16*2	
514H-4-25/TG	E225	D212	D207	H210	P226-A	LP230	KG242K-E	KJ248	KF203-E	KJ203-E	KD201JA	KJ228K	KJ238	KR209	DCX27#16*2		
757L	401M-6/TW	E237	D219K		H219K	P506-A		KG253K-E	KJ247-E	KF203-E	KJ206-E	KD201J	TW201			DCX27#14*1	
	516M-8-35/GA	E213	D204K	D207	H205K	P508J-A	LP226	KG253K-E	KJ247-E	KF203-E	KJ206-E	KD201J	KJ236K	KJ219	KR219	DCX27#14*2	
	516M-8-35/GA/P	E213	D204K	D207	H205K	P508JP-A	LP226	KG253K-E	KJ247-E	KF203-E	KJ206-E	KD201J	KJ236K	KJ219	KR219	DCX27#14*2	
	516M-8-55/GA	E254	D205K	D207	H206K	P509J-A	LP226	KG255K-E	KJ247-E	KF203-E	KJ206-E	KD201J	KJ236K	KJ219	KR219	DCX27#14*2	
	516M-8-55/GA/P	E254	D205K	D207	H206K	P509JP-A	LP226	KG255K-E	KJ247-E	KF203-E	KJ206-E	KD201J	KJ236K	KJ219	KR219	DCX27#14*2	
	516L-2-24	E215	D206	D207	H207	P500J-A	LP225	KG252K-E	KJ247-E	KF203-E	KJ206-E	KD201J	KJ236K	KJ219	KR219	DCX27#14*2	
	516L-2-35	E216	D206	D207	H212	P504K-A	LP225	KG253K-E	KJ247-E	KF203-E	KJ206-E	KD201J	KJ236K	KJ219	KR219	DCX27#14*2	
	516M-3-35	E269	D208K	D207	H208K	P504K-A	LP226	KG253K-E	KJ247-E	KF203-E	KJ206-E	KD201J	KJ236K	KJ219	KR219	DCX27#14*2	
	516M-3-35/PS	E227	D208K	D207	H214K	P504JS-A	LP226	KG253K-E	KJ247-E	KF203-E	KJ206-E	KD201J	KJ236K	KJ219	KR219	DCX27#14*2	
	516M-3-55	E254	D208K	D207	H209K	P502K-A	LP226	KG255K-E	KJ247-E	KF203-E	KJ206-E	KD201J	KJ236K	KJ219	KR219	DCX27#14*2	
	516M-3-55/PS	E228	D208K	D207	H215K	P502JS-A	LP226	KG255K-E	KJ247-E	KF203-E	KJ206-E	KD201J	KJ236K	KJ219	KR219	DCX27#14*2	
	516H-3-55	E259	D601	D602	H220A	P964-A	LP233	KG255K-E	KJ246-E	KF215-E	KJ203-E	KD201JA	KJ208K	KJ233	KR223	DCX27#21*2	
	516H-3-56	E260	D601	D602	H220A	P964-A	LP233	KG255K-E	KJ246-E	KF215-E	KJ203-E	KD201JA	KJ208K	KJ233	KR223	DCX27#21*2	
	402M-8-30/TA	E235	D211K	D222K	H216K	P224-A		KG266-E	KJ247-E	KF203-E	KJ206-E	KD201J	TW201		KR219	DCX27#14*2	
	402M-8-50/TA	E238	D211K	D222K	H216K	P223-A		KG256K-E	KJ247-E	KF203-E	KJ206-E	KD201J	TW201		KR219	DCX27#14*2	
767L	644M-3-324	E272	D208K	D207	H209K	P233K-A	LP226	KG433K-E	KJ246-E	KF203-E	KJ203-E	KD201J	KJ208K	KJ219	KR219	DCX27#11*3	
	644M-3-524	E273	D208K	D207	H209K	P255K-A	LP226	KG455K-E	KJ246-E	KF203-E	KJ203-E	KD201J	KJ228K	KJ219	KR219	DCX27#11*3	
	644M-3-324/PS	E270	D208K	D207	H226	P233S-A	LP226	KG433K-E	KJ246-E	KF203-E	KJ203-E	KD201J	KJ208K	KJ219	KR219	DCX27#14*3	
	644M-3-524/PS	E271	D208K	D207	H226	P255S-A	LP226	KG455K-E	KJ246-E	KF203-E	KJ203-E	KD201J	KJ228K	KJ219	KR219	DCX27#14*3	



SIRUBA

PARTS LIST

Series

700L

Parts Group

KC

Subclass / Remark

Page

1/1

Date

2016/11/24

700L

LAMPARA KC304-A2

MODEL

#3/#4

#5/#6

#3 KC38L-3

#4 KC38L-4

#5 KC38L-5

#6 KC38L-6

PARTS
NO

KC209K

KC219K

KC303K-4

KC303K-5

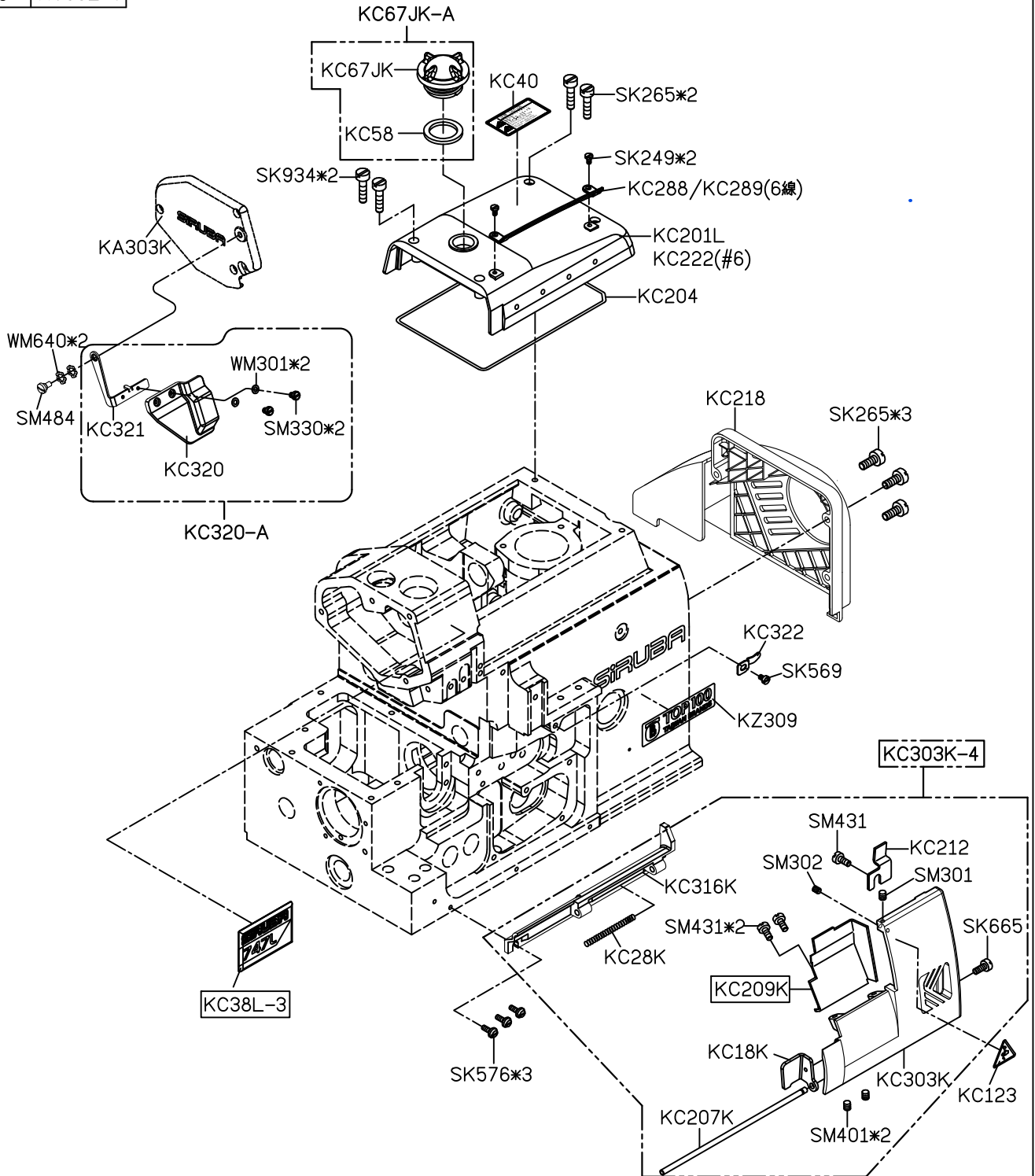
A

B

C

D

E



1

2

3

4

5

MODEL	#3/#4	#5/#6
PARTS NO	KD204	KD217
	SM603B	KD220
	SK241*3	SK539*2 SK872*1

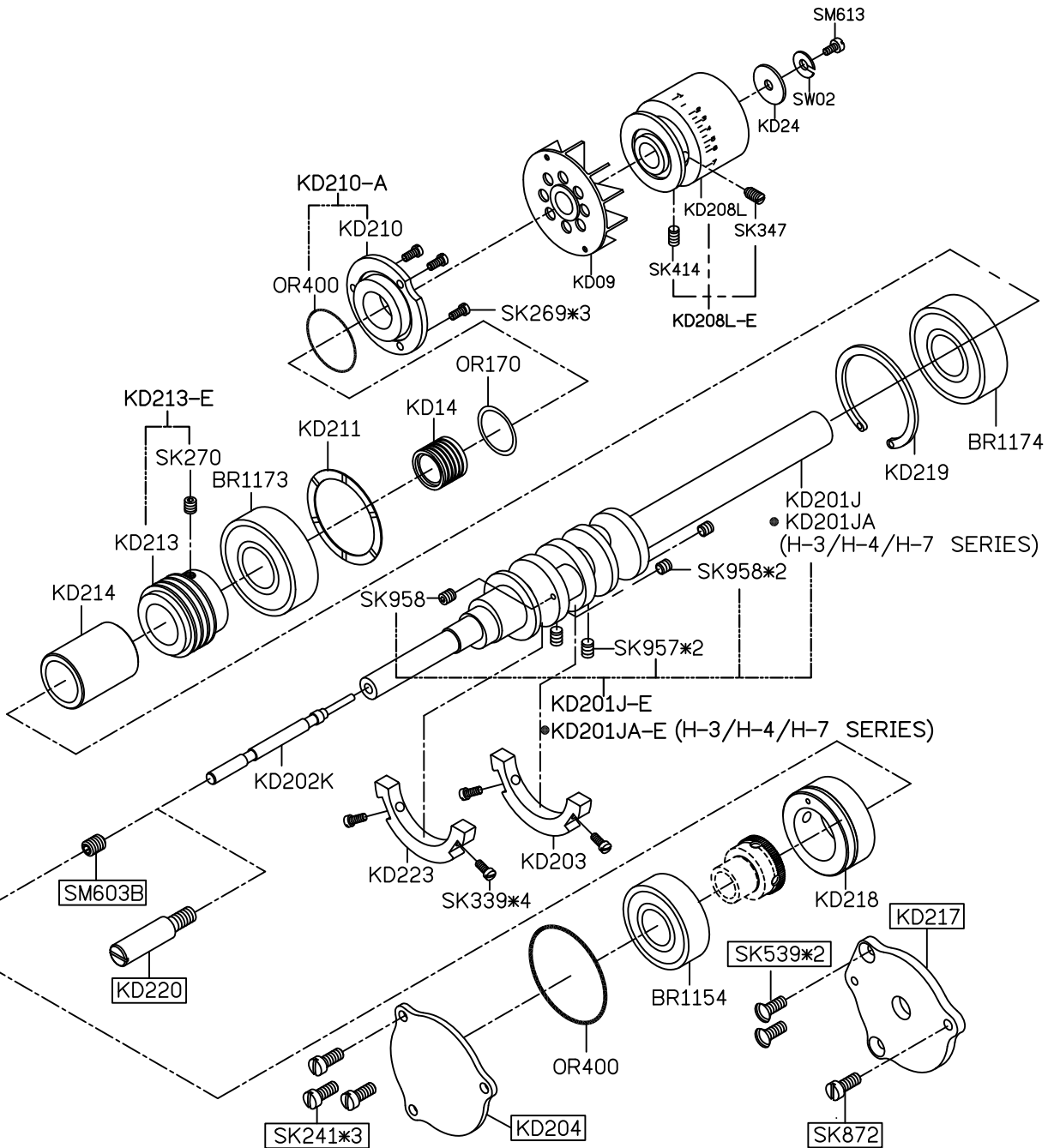
A

B

C

D

E



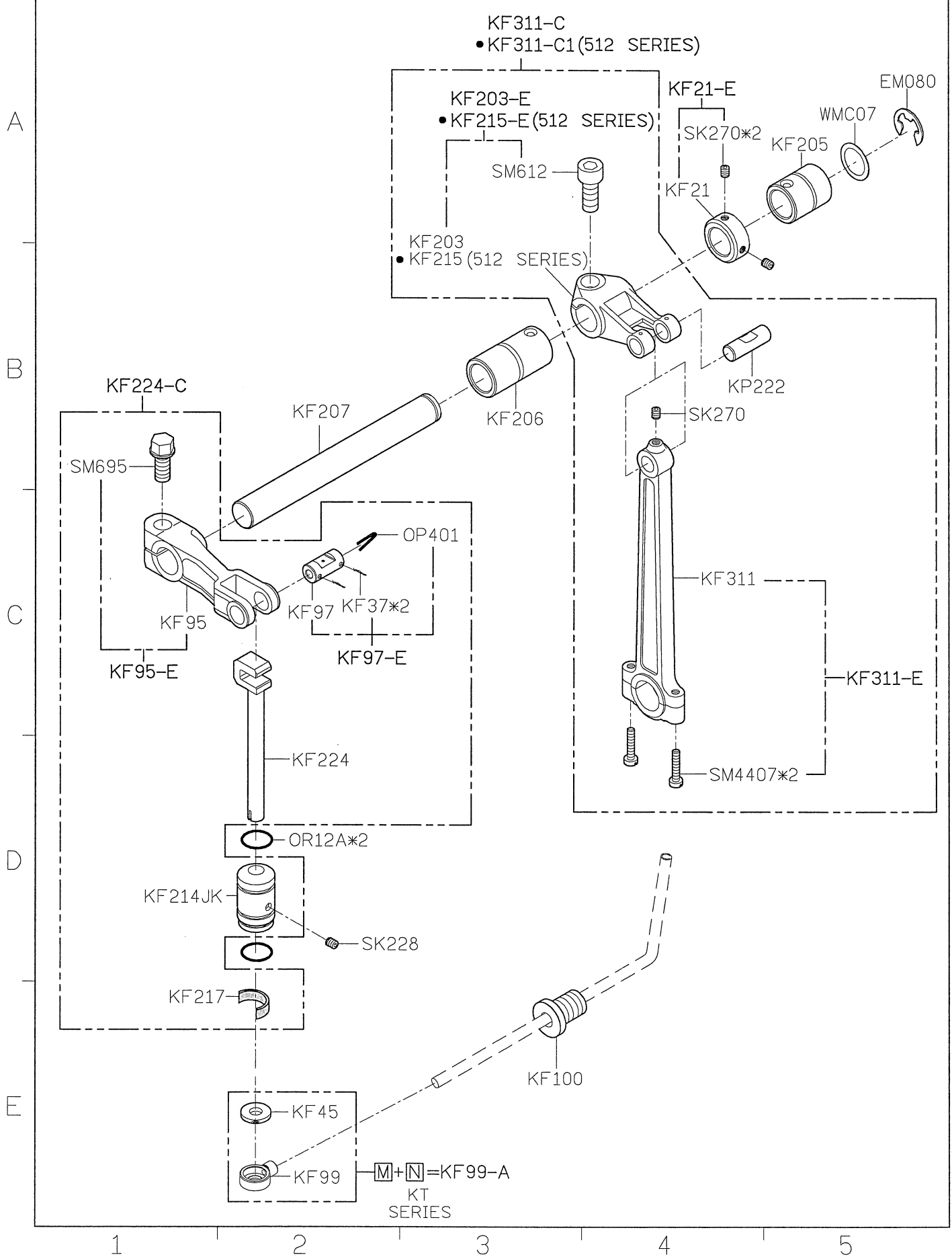
1

2

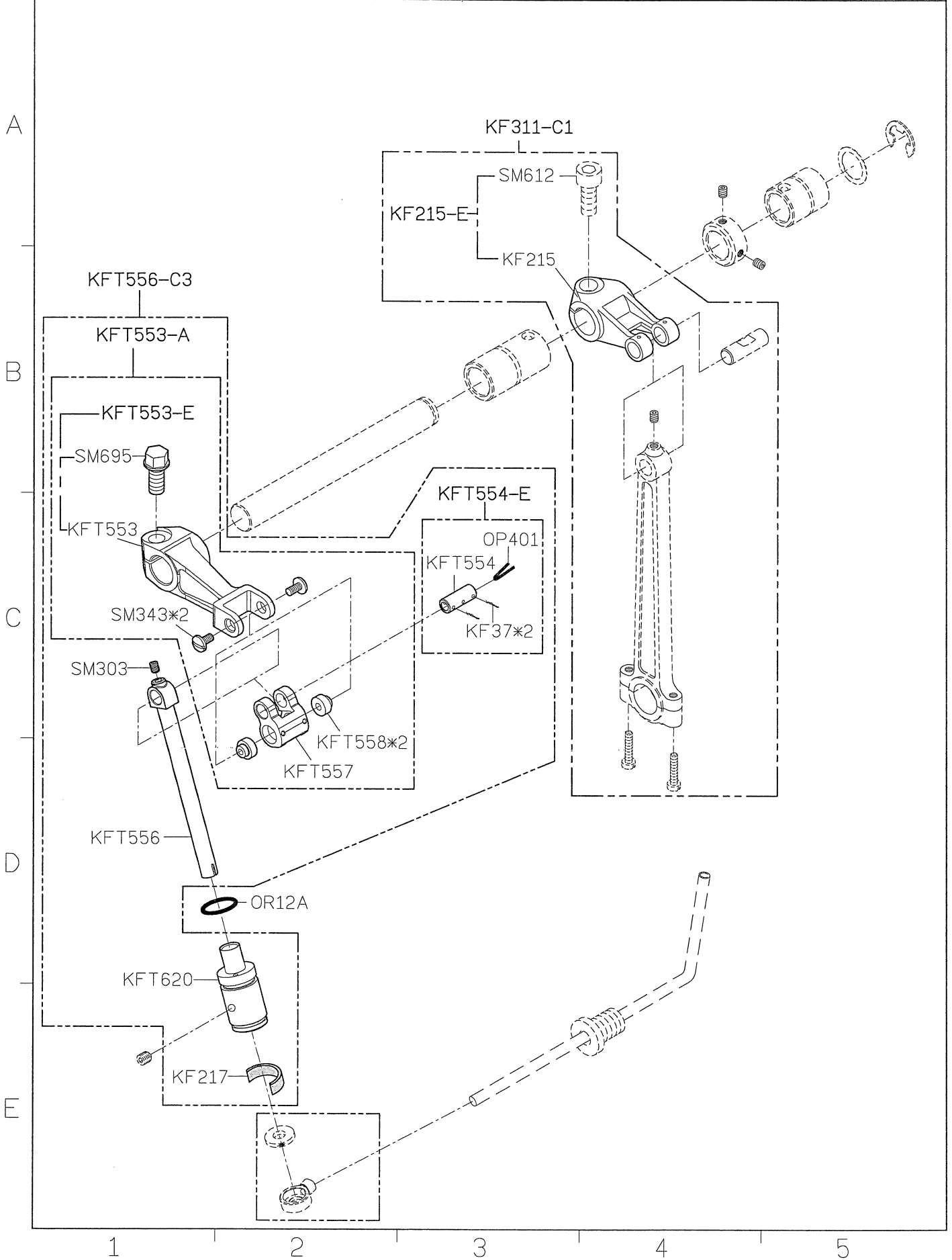
3

4

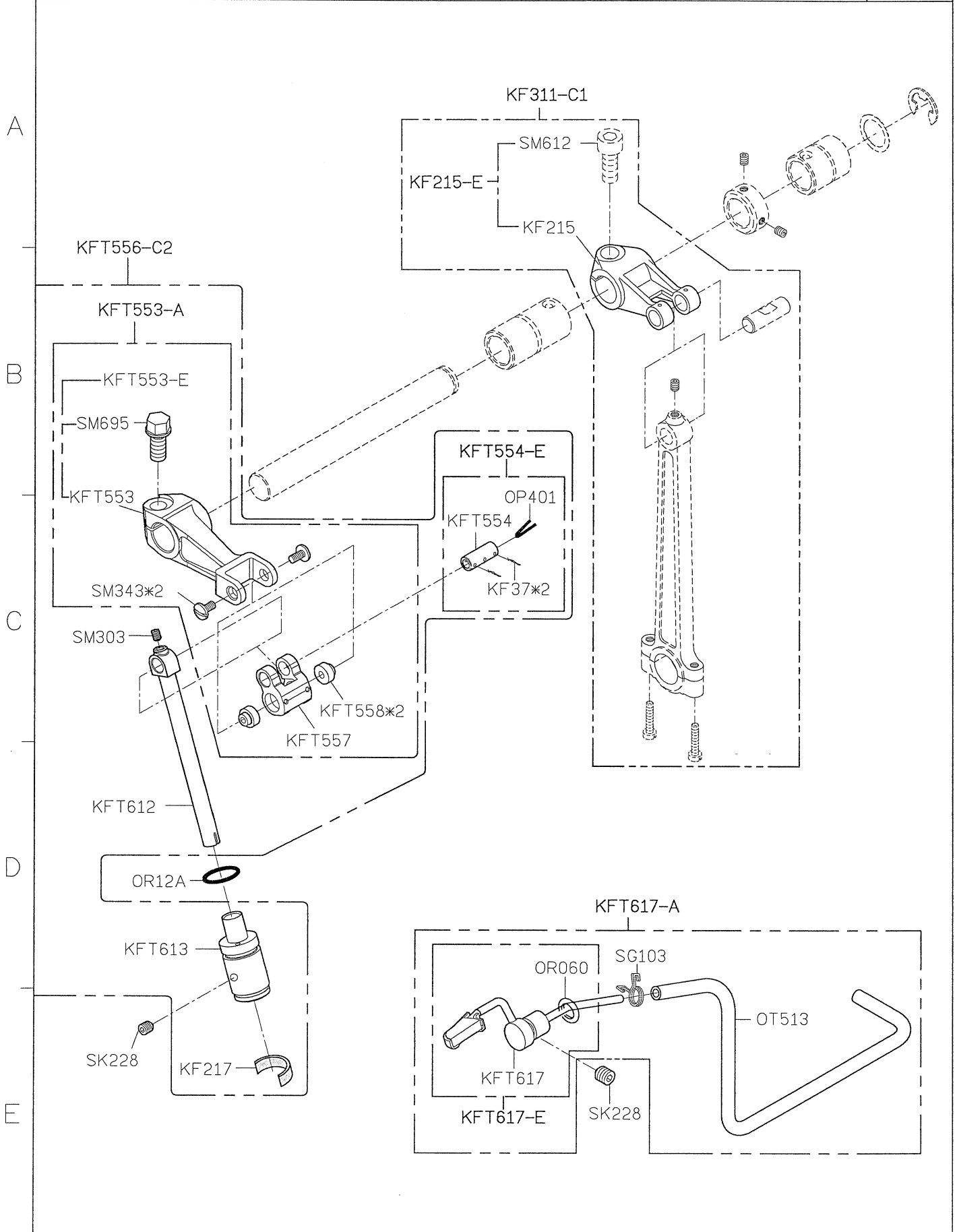
5



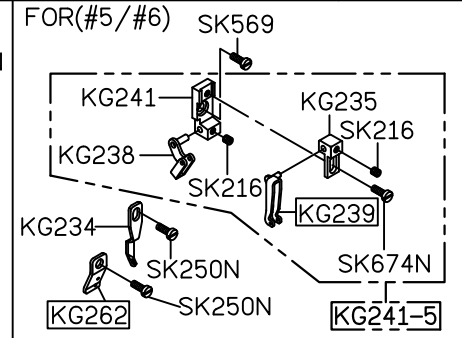
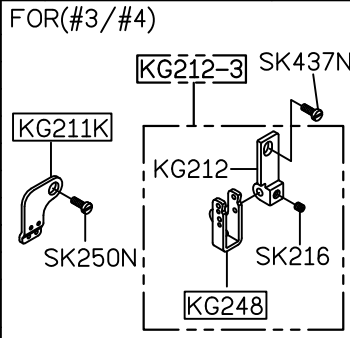
SIRUBA PARTS LIST	Series	Parts Group	Subclass / Remark	Page
	700L	KF	FOR H-3	2/3
				Date
				2017/8/3



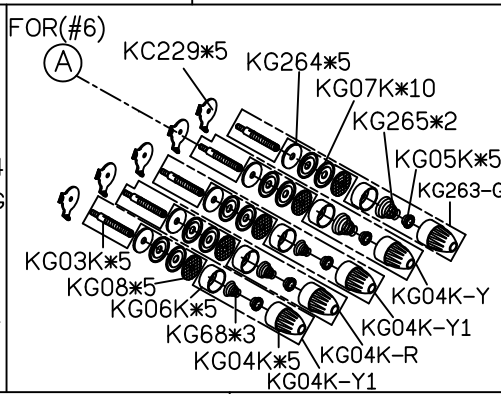
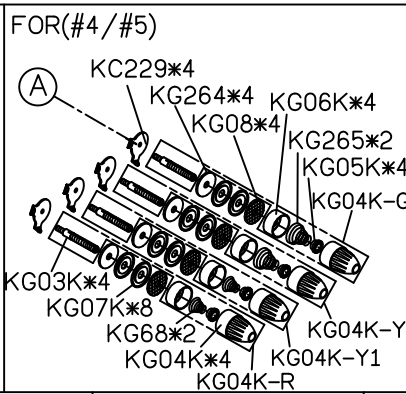
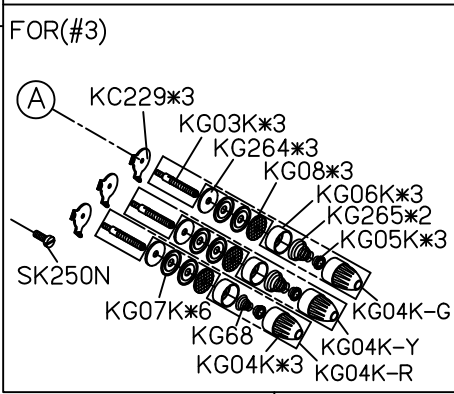
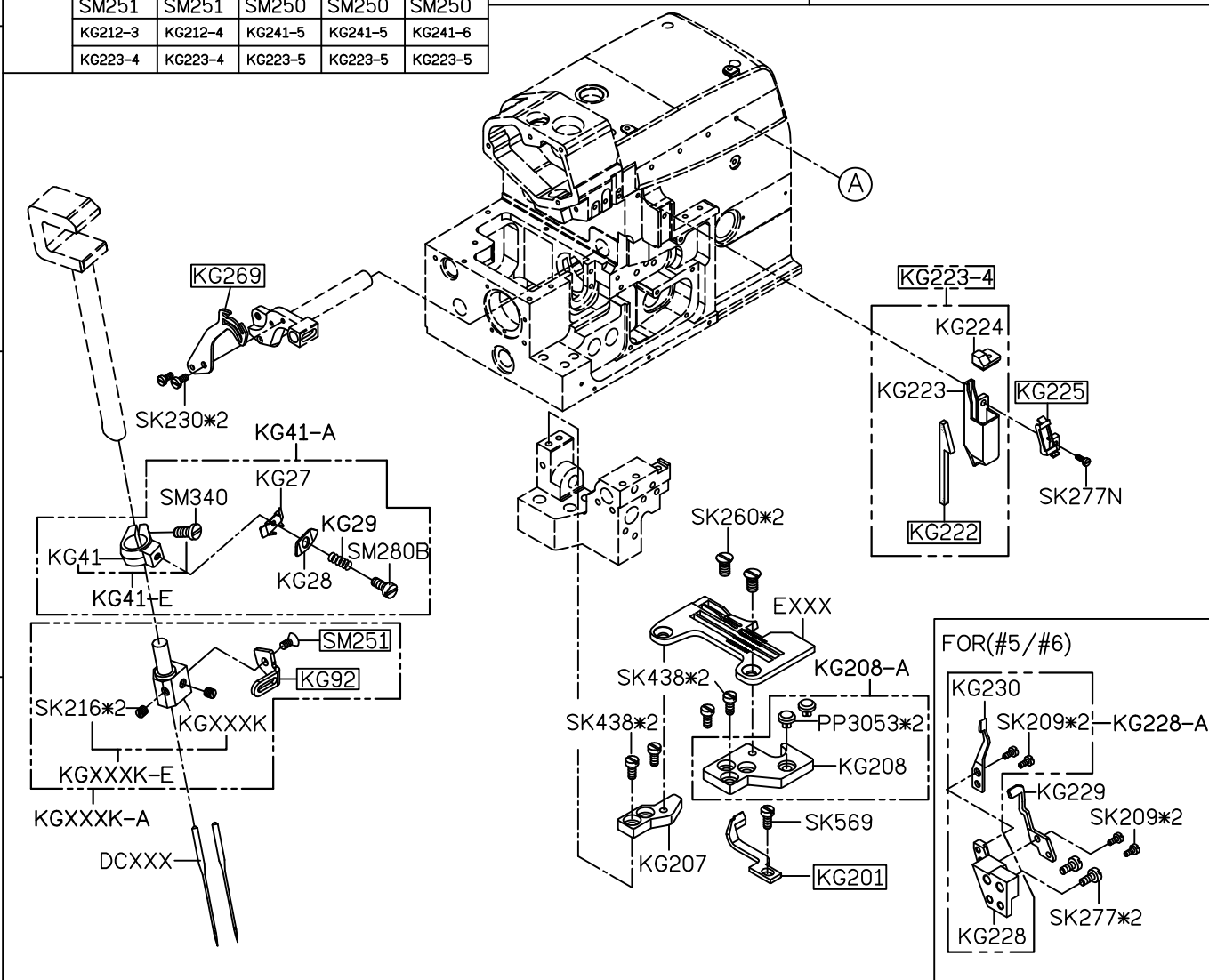
SIRUBA PARTS LIST	Series	Parts Group	Subclass / Remark	Page
	700L	KF	FOR X-3	3/3
				Date
				2017/8/3



MODEL	#3	#4	#5	X3-56	#6
PARTS NO	KG262	KG211K	KG262	KG262	KG211K
	KG248	KG213K	KG239	KG239	KG246
	KG250K	KG269	KG243K	KG268	KG251K
	KG222	KG222	KG245	KG245	KG245
	KG225	KG225	KG261	KG261	KG261
	KG201	KG201	KG244	KG244	KG244
	KG93	KG92	KG267	KG30-1	KG267
	SK216	SK216	SK216*2	SK216*2	SK216*2
	SK250N	SK250N	SK250N*2	SK250N*2	SK250N*2
	SK437N	SK437N	SK569 SK674N	SK569 SK674N	SK569 SK674N
	SM251	SM251	SM250	SM250	SM250
	KG212-3	KG212-4	KG241-5	KG241-5	KG241-6
	KG223-4	KG223-4	KG223-5	KG223-5	KG223-5



B
C
D



E

1 2 3 4 5

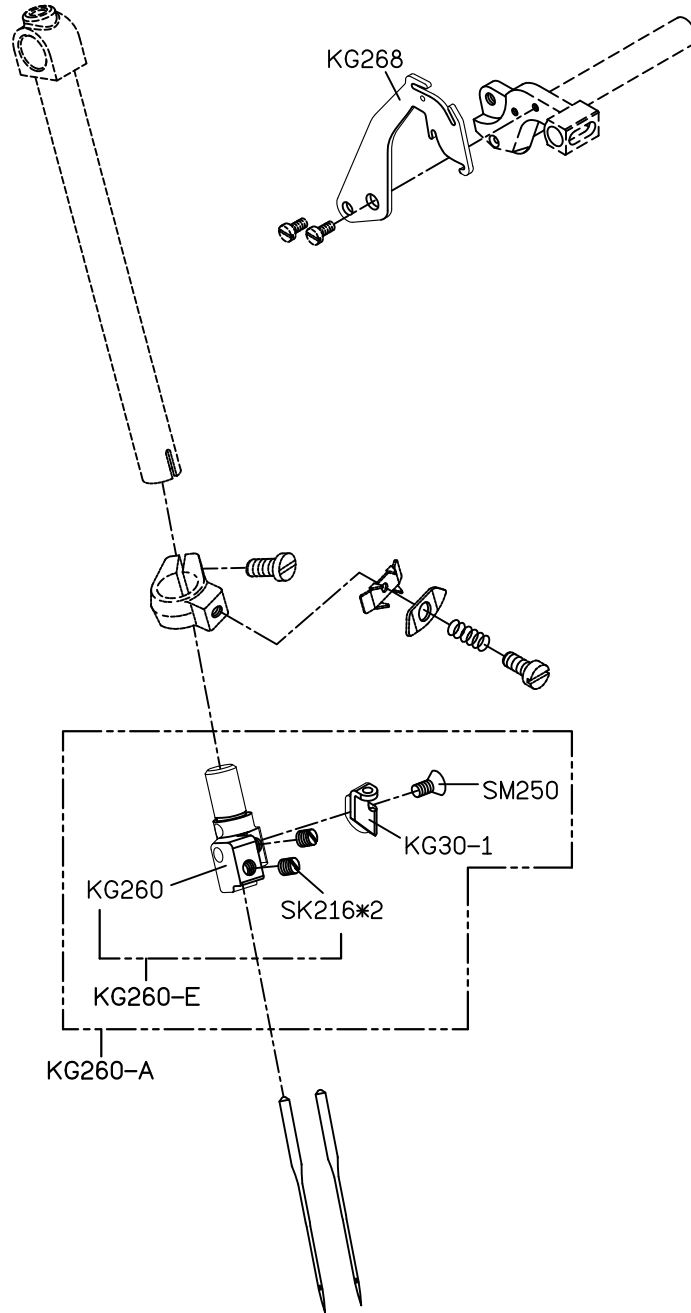
A

B

C

D

E



SIRUBA

PARTS LIST

Series

700L

Parts Group

KJ

Subclass / Remark

Page

1/2

Date

2017/8/3

MODEL	#3/#5	#4/#6	#4 H-3/H-4/H-7	#5 H-3	#5 X-3
PARTS NO	KJ247-E	KJ246-E	KJ248-E	KJ246-E	KJ246-E+KJ234
	KJ206	KJ203	KJ203	KJ203	KJ602
	KJ206-E	KJ203-E	KJ203-E	KJ203-E	KJ602-E
	KJ206-C1	KJ203-C1	KJ203-C1	KJ203-C1	KJ602-C
	KJ236K	KJ208K	KJ228K	KJ208K	KJ601
	KJ236K-C1	KJ208K-C1	KJ228K-C1	KJ208K-C1	KJ601-C
	KJ219	KJ238	KJ233	KJ233	
	KJ210	KJ210	KJ210	KJ603	
	KJ210-A	KJ210-A	KJ210-A	KJ603-A	
	KJ209	KJ209	KJ209	KJ609	

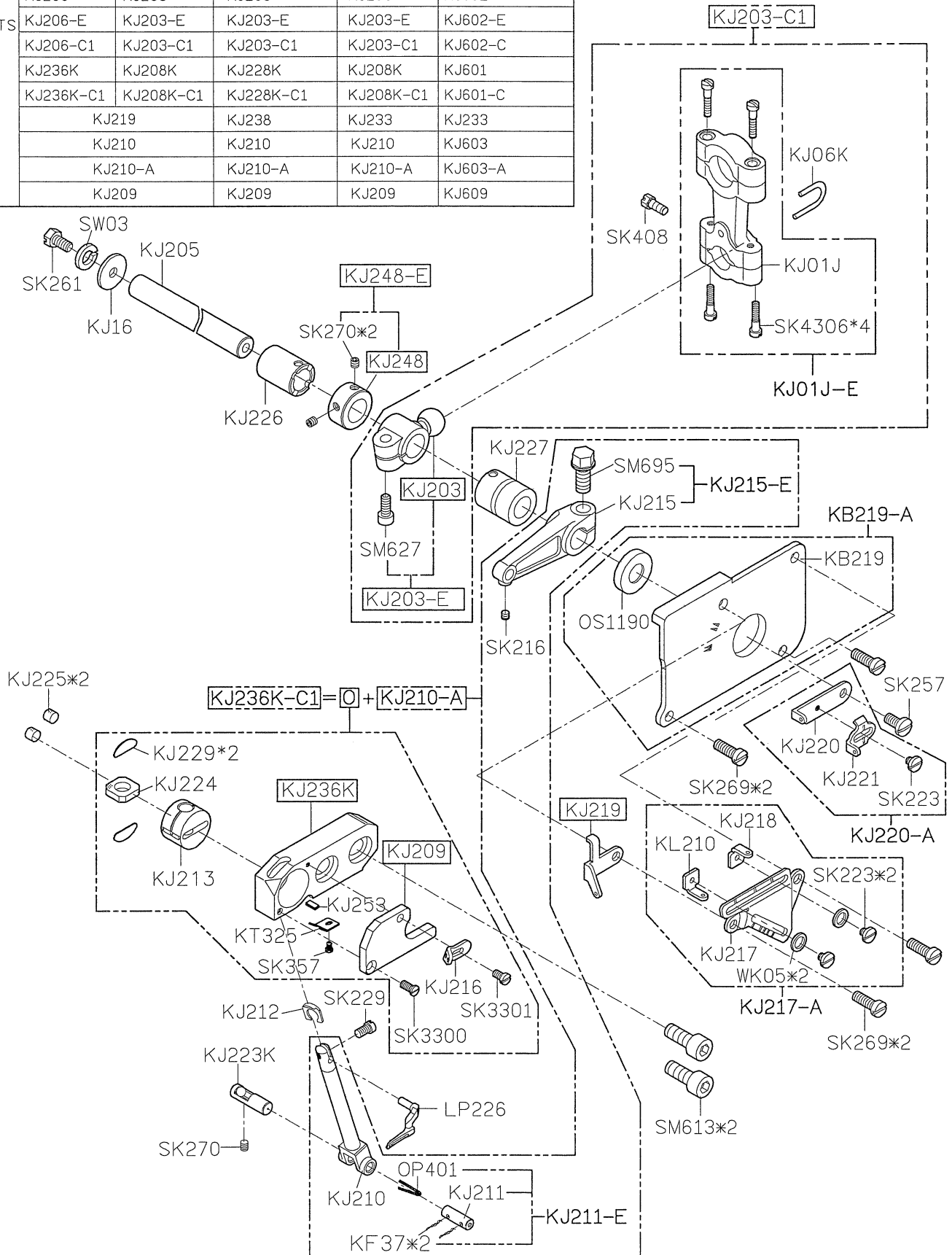
A

B

C

D

E



1

2

3

4

5

SIRUBA PARTS LIST	Series	Parts Group	Subclass / Remark	Page
	700L	KJ	For H-3	2/2
				Date
				2017/8/3

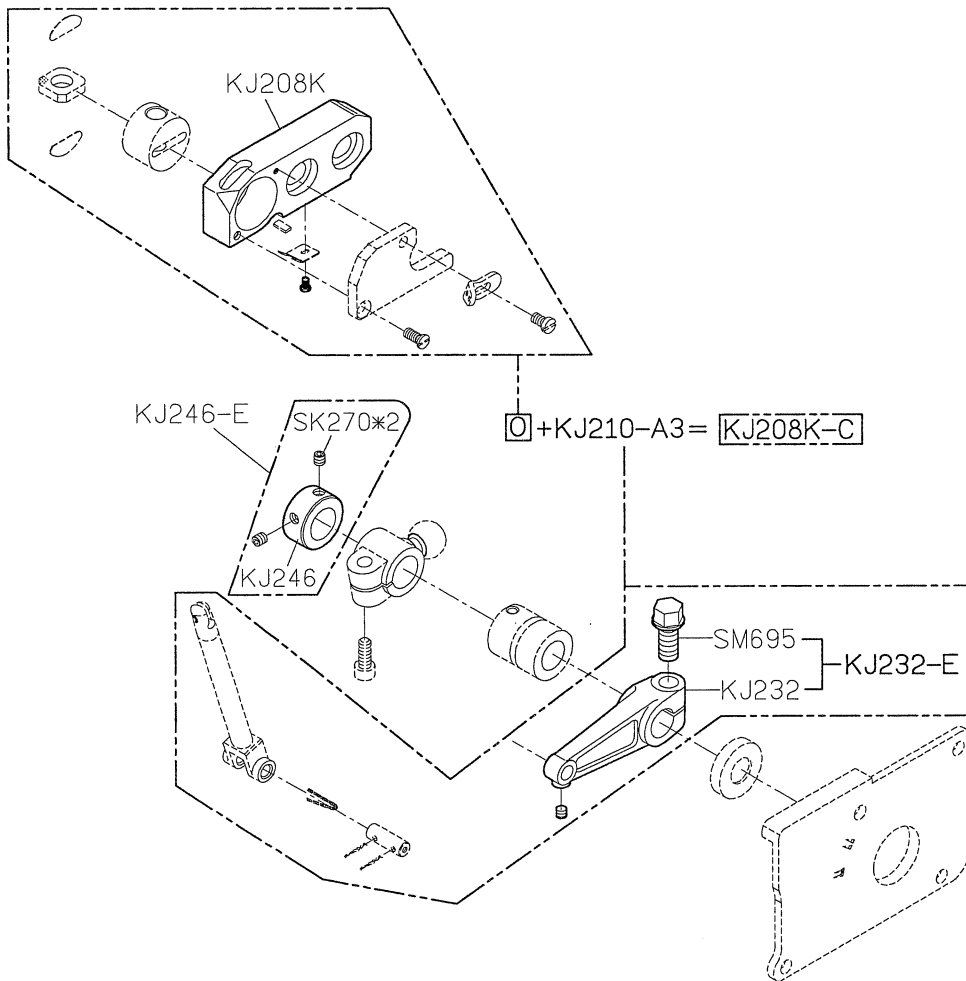
A

B

C

D

E



1

2

3

4

5

SIRUBA

PARTS LIST

Series

700L

Parts Group

KL

Subclass / Remark

Page

1/1

Date

2017/05/23

MODEL #3/#4 #5/#6 H-3/H-4/H-7 SERIES 5# H-3 SERIES

KJ222 KJ222 KJ230

KL202 KL202A

KL211-A KL211-A1

KL205 KL209

SK270

KL205-E KL209-E

KL205-C KL209-C

KL KL KM
SERIES SERIES SERIES

P+**R**+**S** = KL209-C

KL KL
SERIES SERIES

P+**Q** = KL205-C

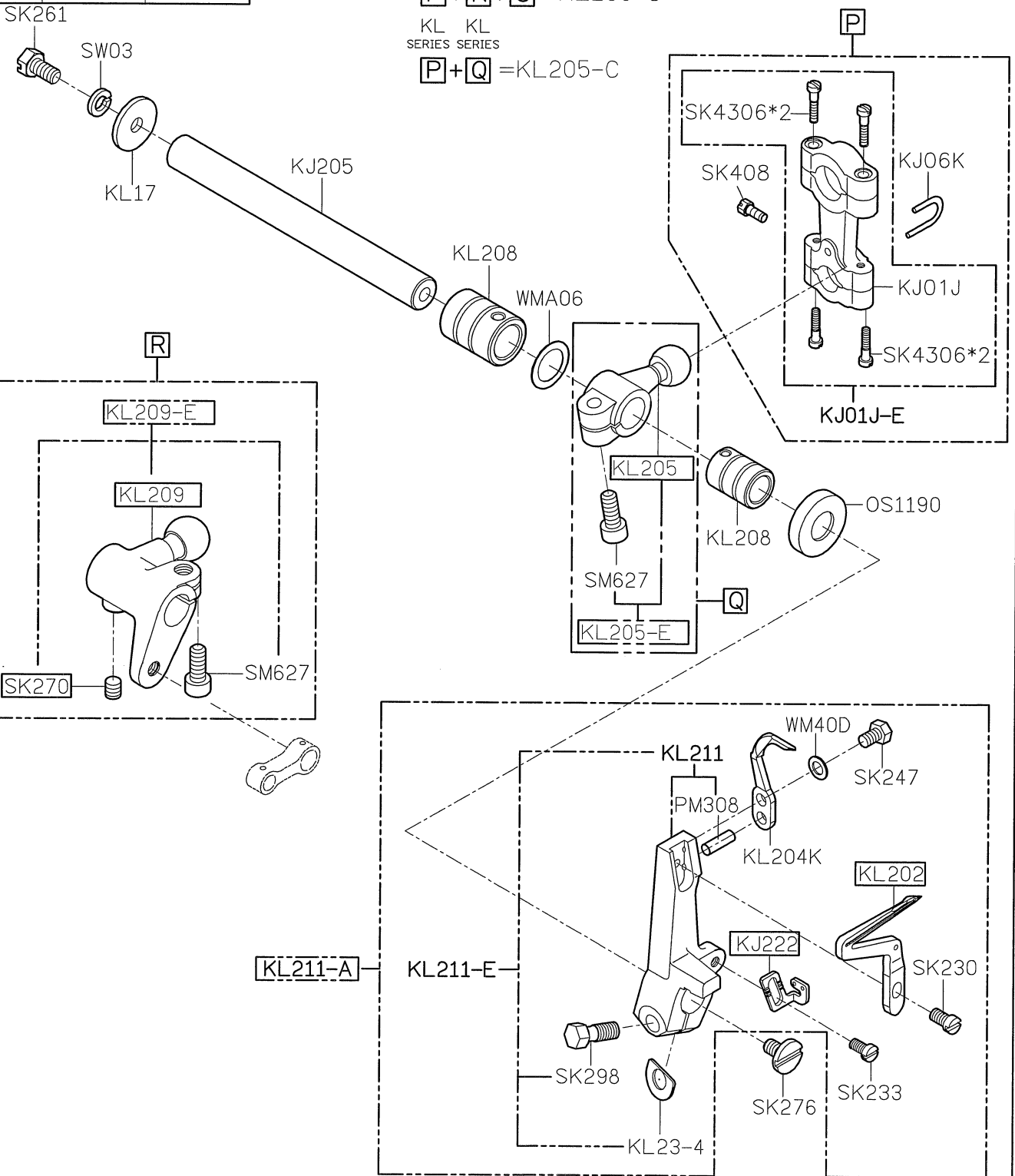
A

B

C

D

E



1

2

3

4

5

$\boxed{S} + \boxed{R} + \boxed{P} = \text{KL209K-C}$
KM KL KL

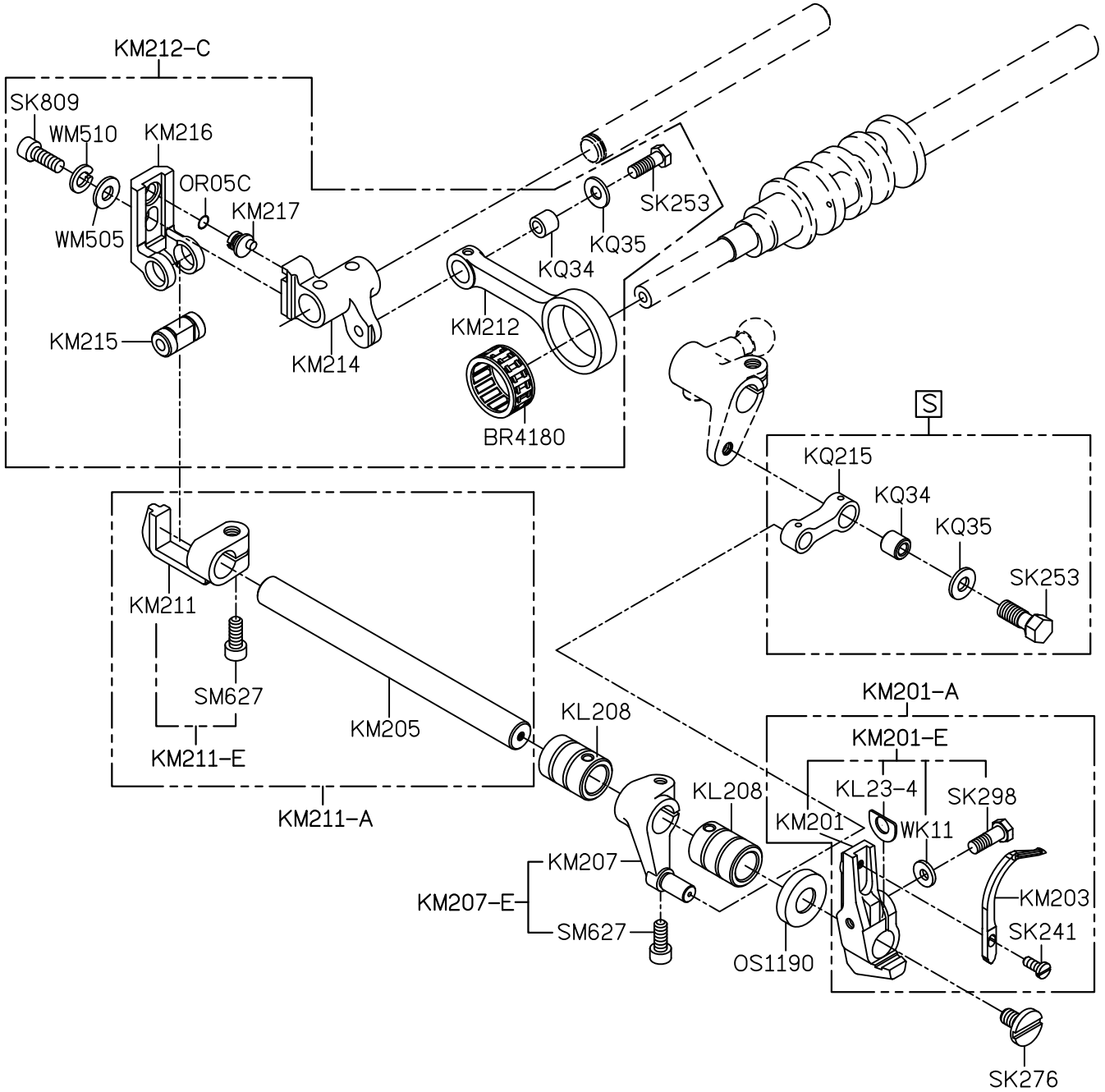
A

B

C

D

E



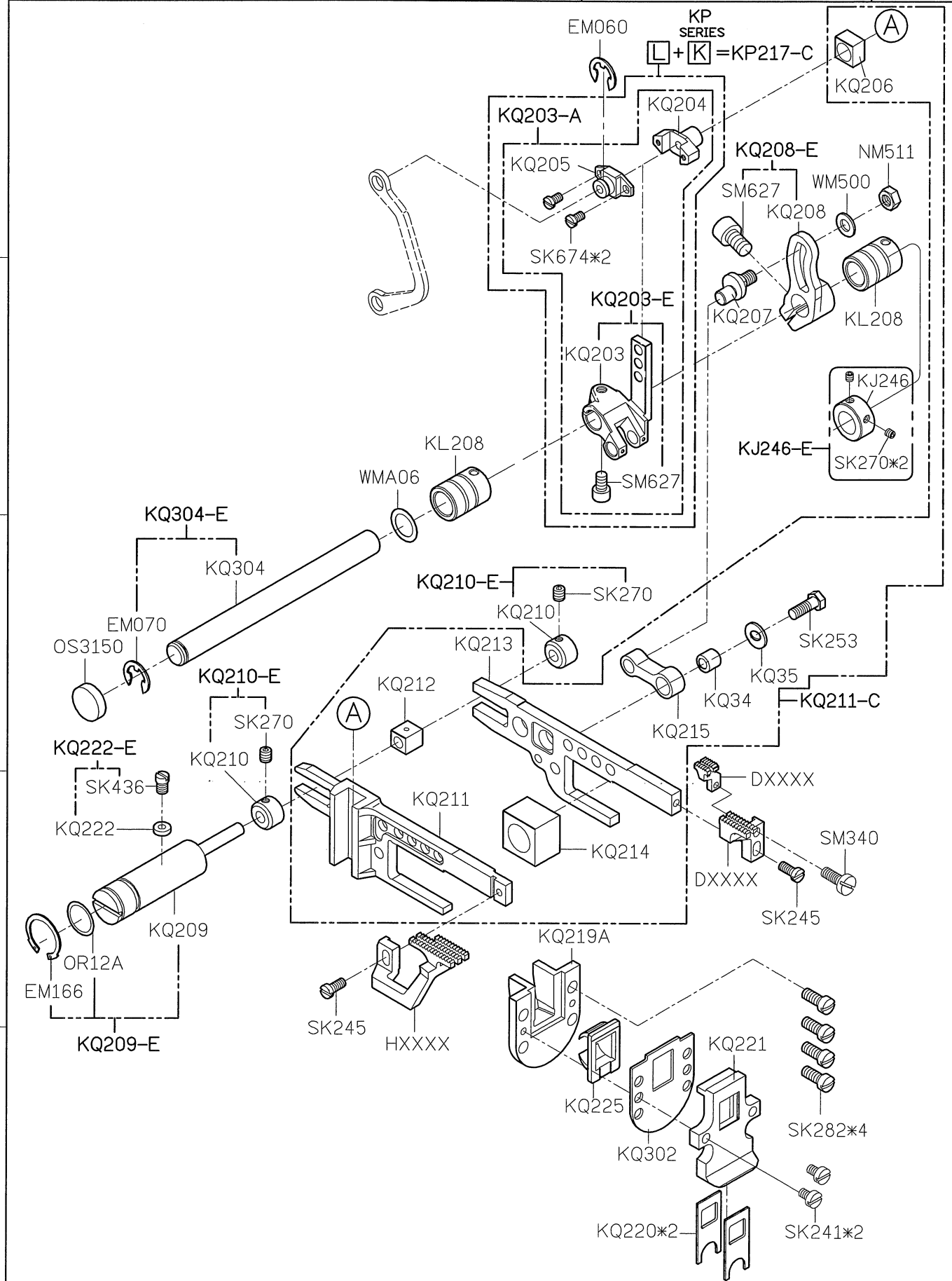
A

B

C

D

E



1

2

3

4

5

SIRUBA PARTS LIST	Series	Parts Group	Subclass / Remark	Page
	700L	KR		1/1
				Date
				2017/8/3

MODEL	#3/#4	#5/#6	#5 X-3
PARTS NO	KR202	KR218	KR605
	KR202-E	KR218-E	KR605-E
	KR311-C	KR311-C1	KR605-C
	KR206K	KR221	KFT616
	KR206K-A	KR221-A	KFT596-A
	KR209	KR219	KR223
	KR209-A	KR219-A	KR223-A
		KR212	KFT614

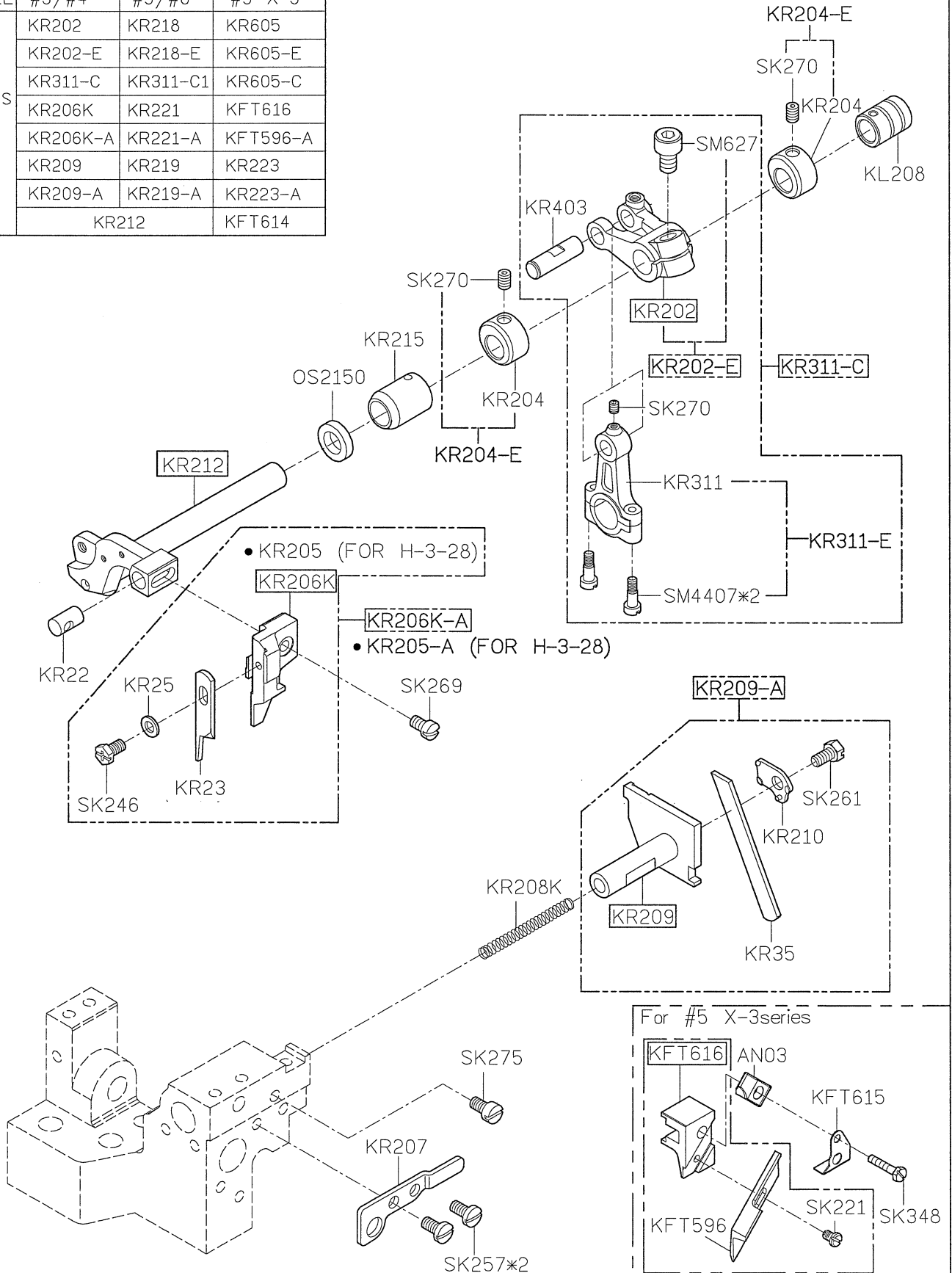
A

B

C

D

E



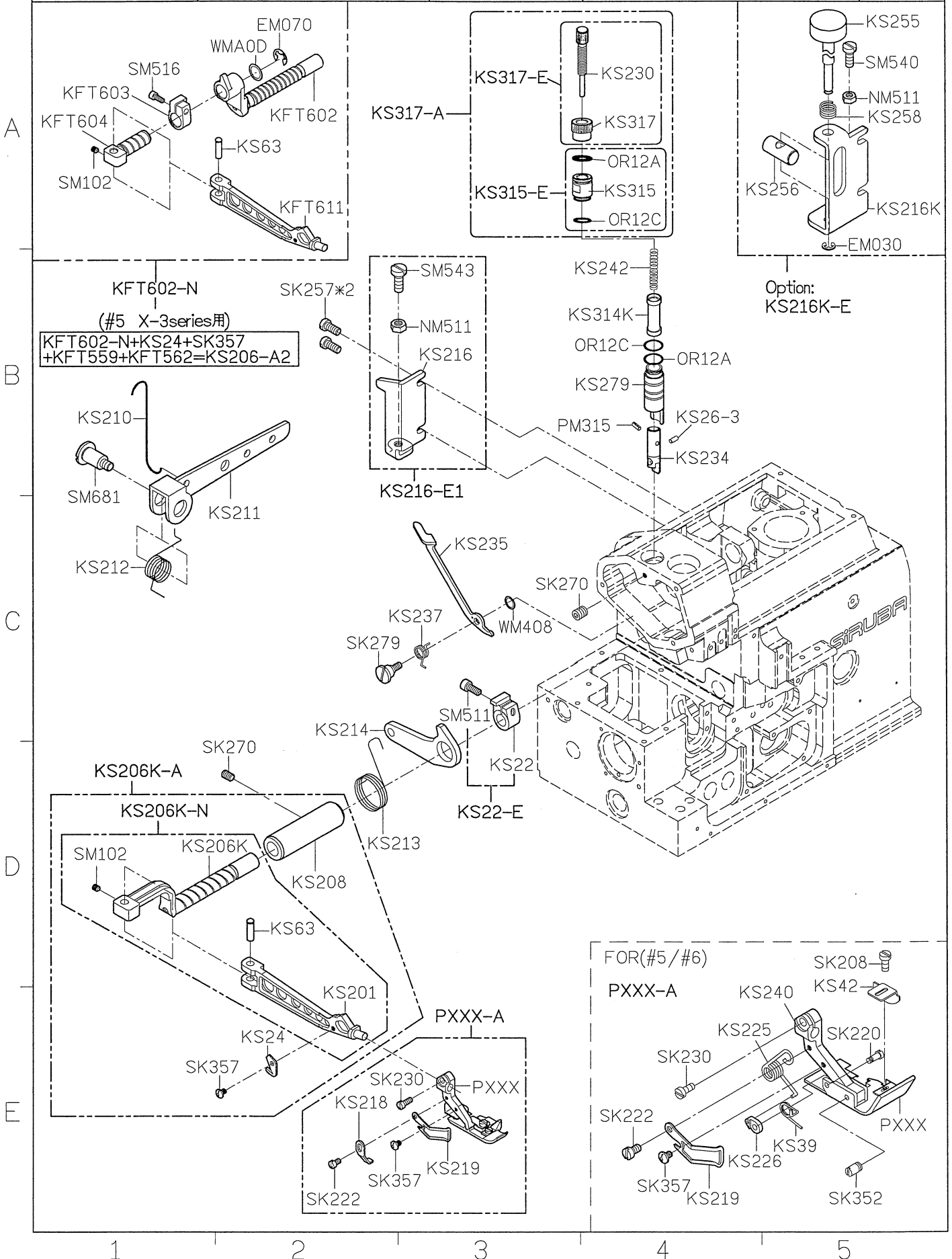
1

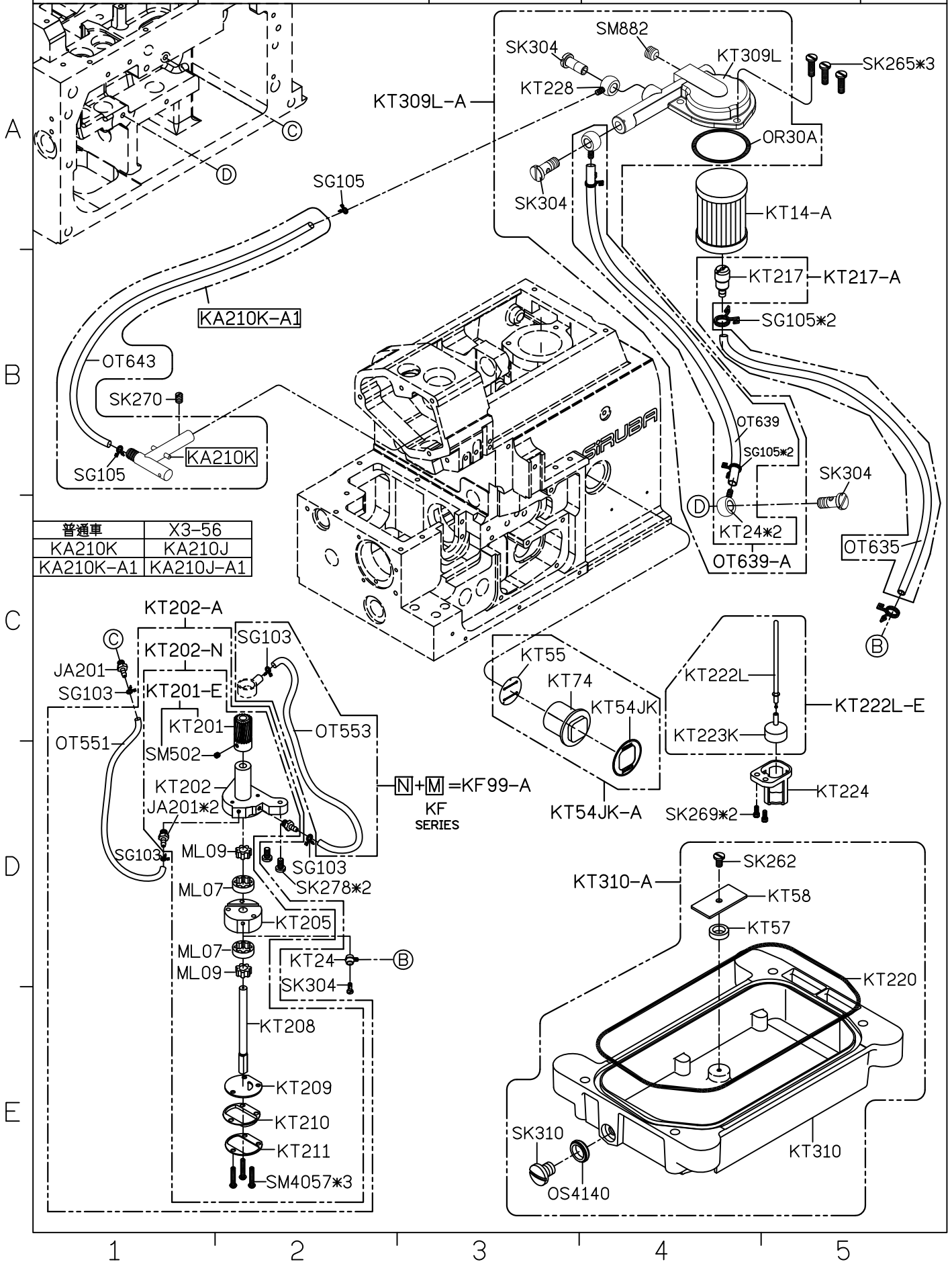
2

3

4

5





SIRUBA

PARTS LIST

Series

700L

Parts Group

KU

Subclass / Remark

Page

1/1

Date

2017/05/23

MODEL	#3/#4	#5/#6
PARTS NO	KU40	KU39
	KU220-4	KU220-5
	KU207	KU209
	KU206	KU211
	KU203-4	KU203-5
	SK277	SK437

KU60-A
(FOR 505F1-04)

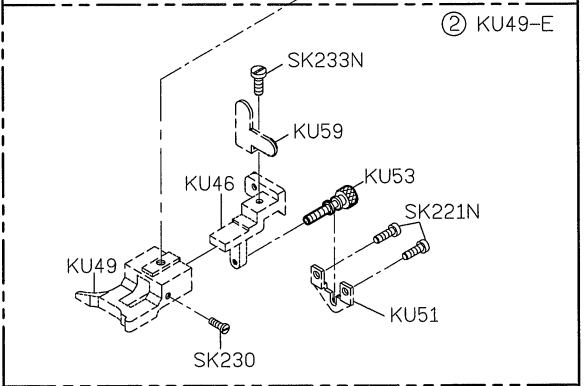
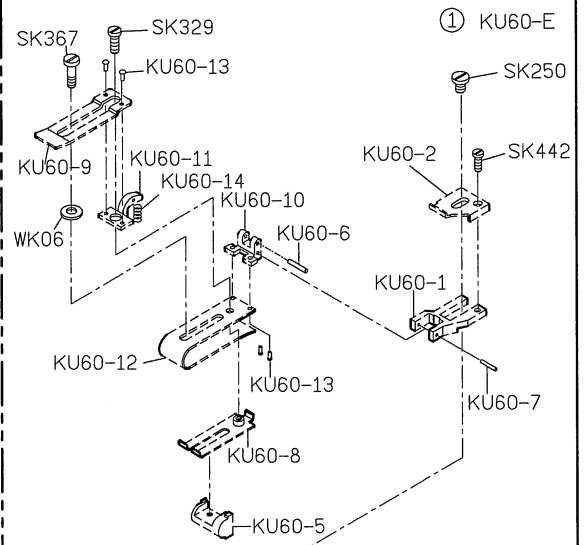
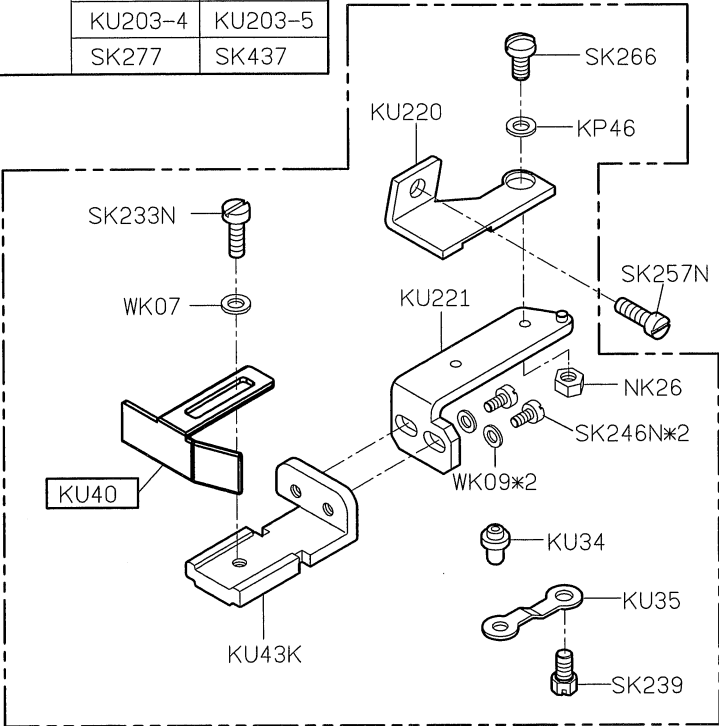
A

B

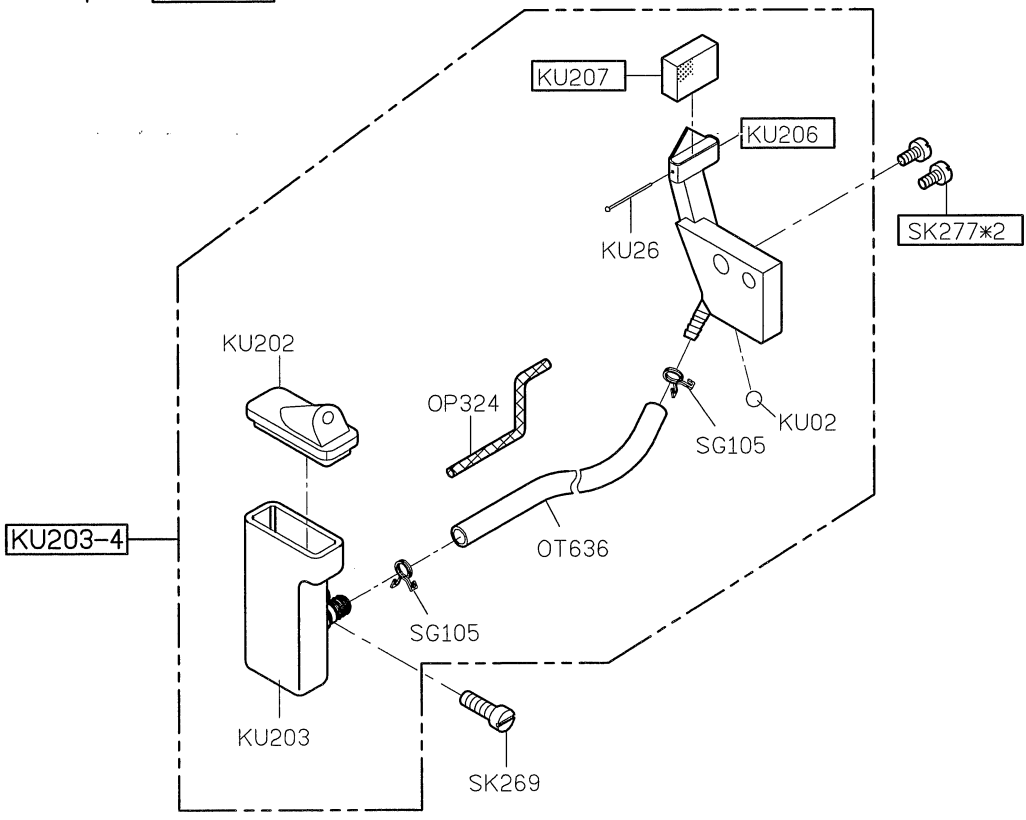
C

D

E



Option: **KU220-4**



KW40E-3

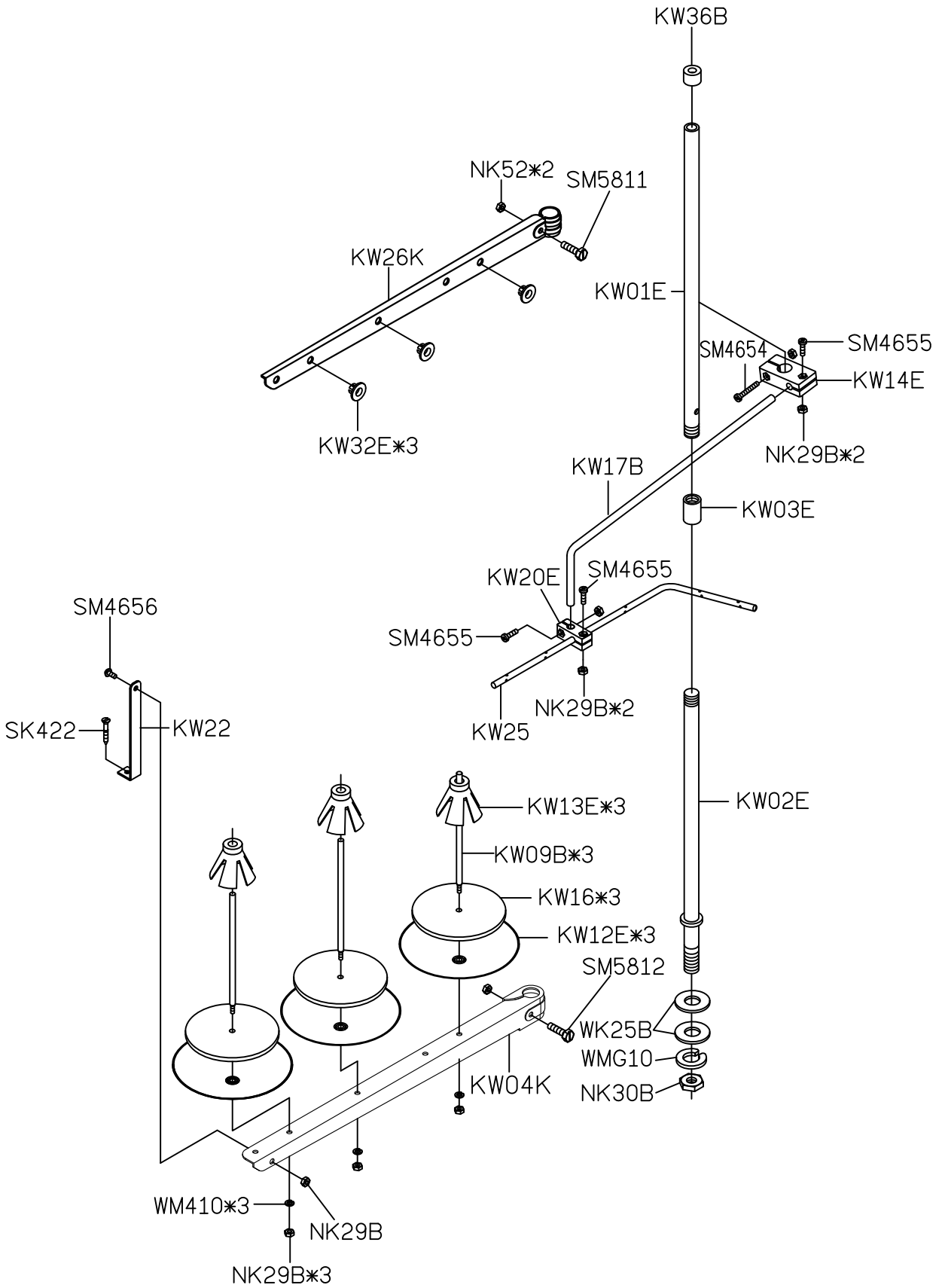
A

B

C

D

E



1

2

3

4

5

KW40E-4

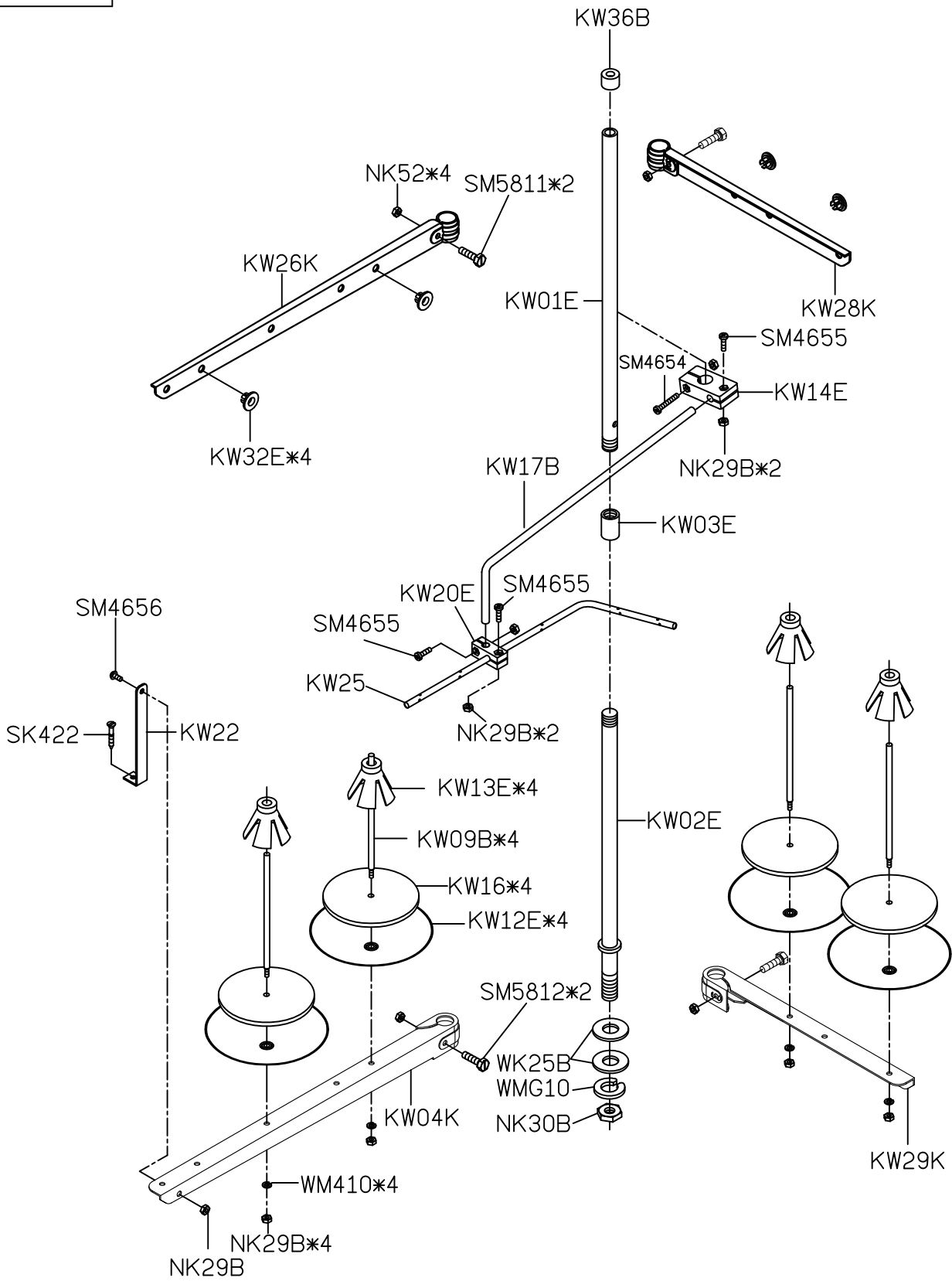
A

B

C

D

E



1

2

3

4

5

KW40E-5

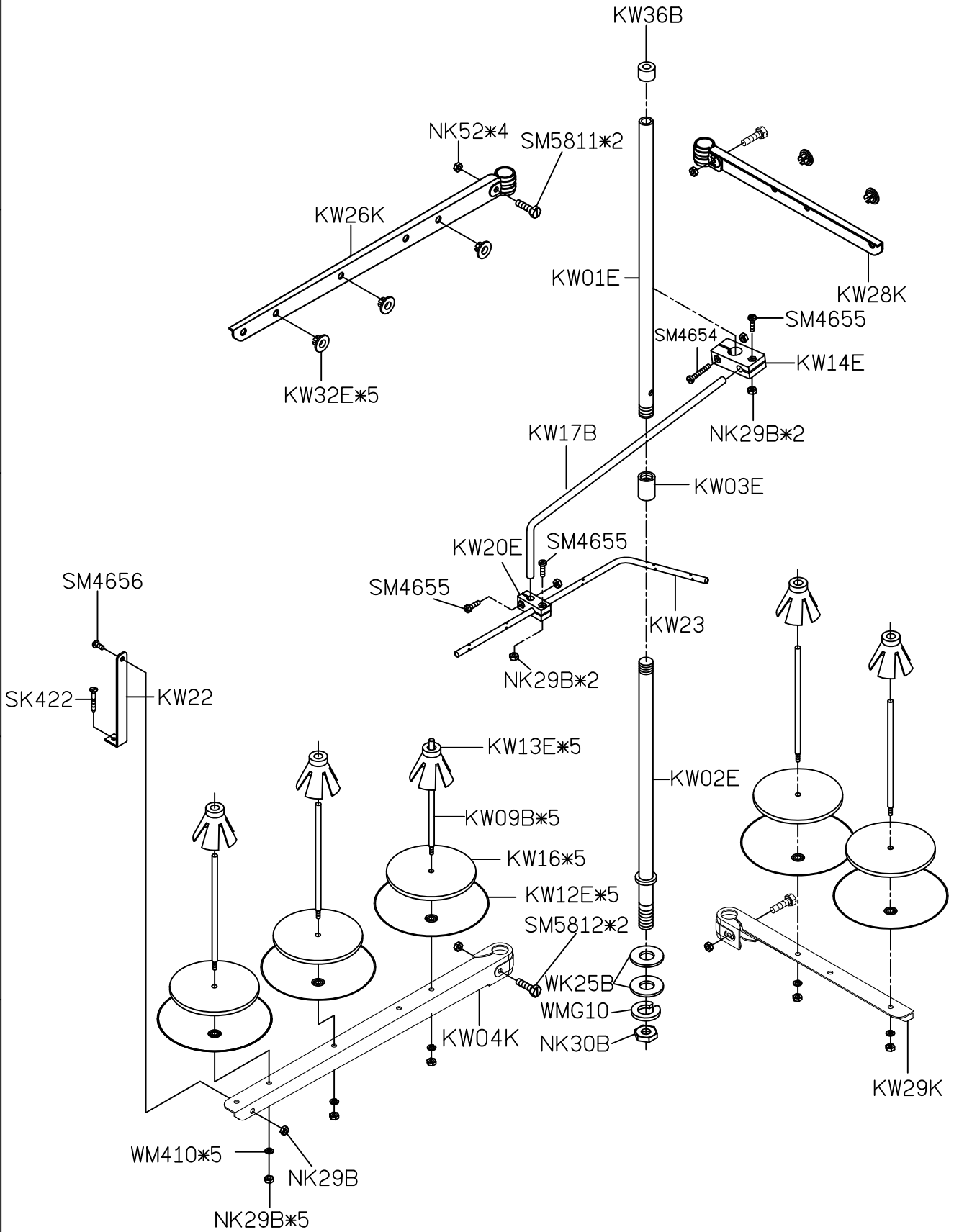
A

B

C

D

E



1

2

3

4

5

KW40E-6

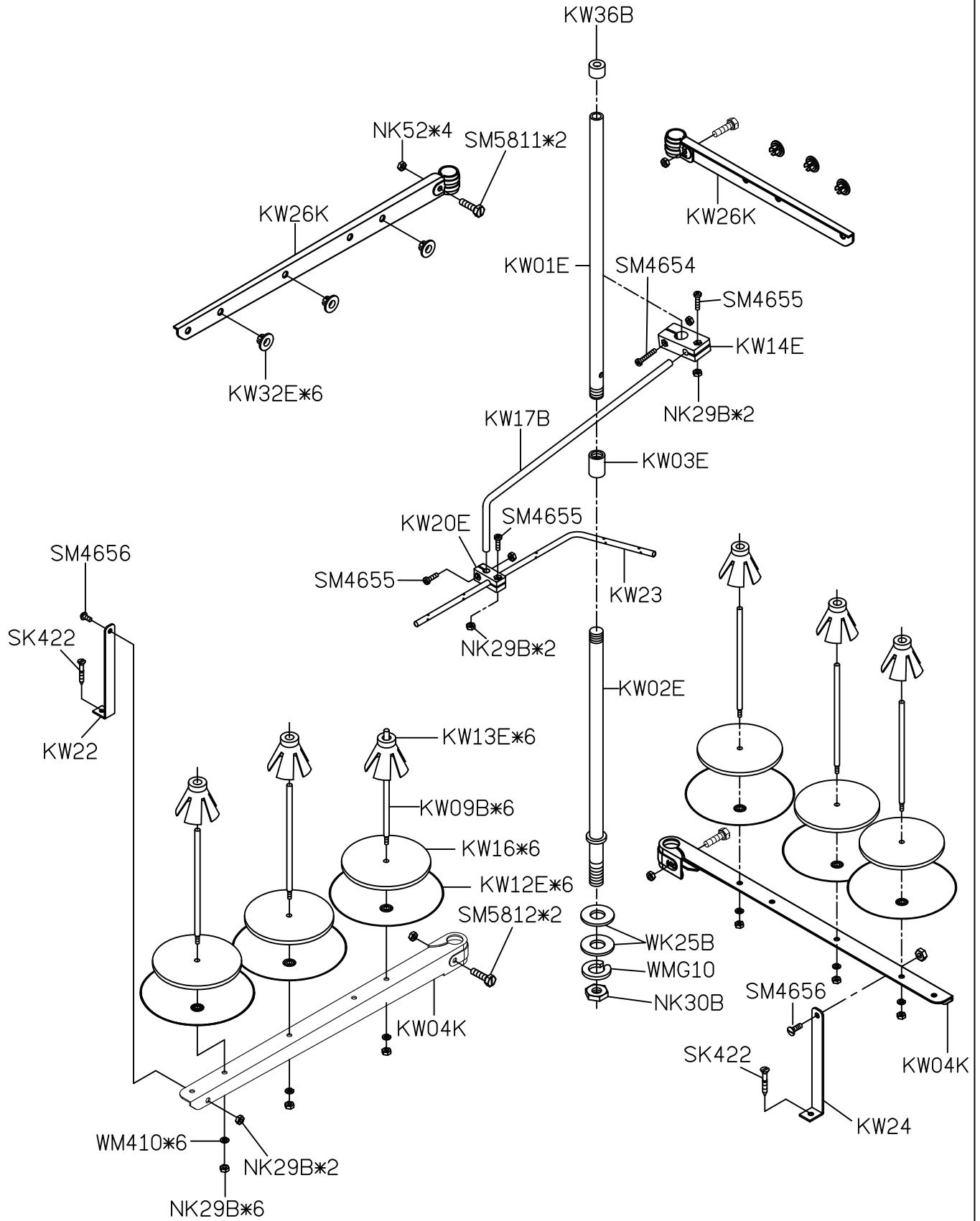
A

B

C

D

E



1

2

3

4

5

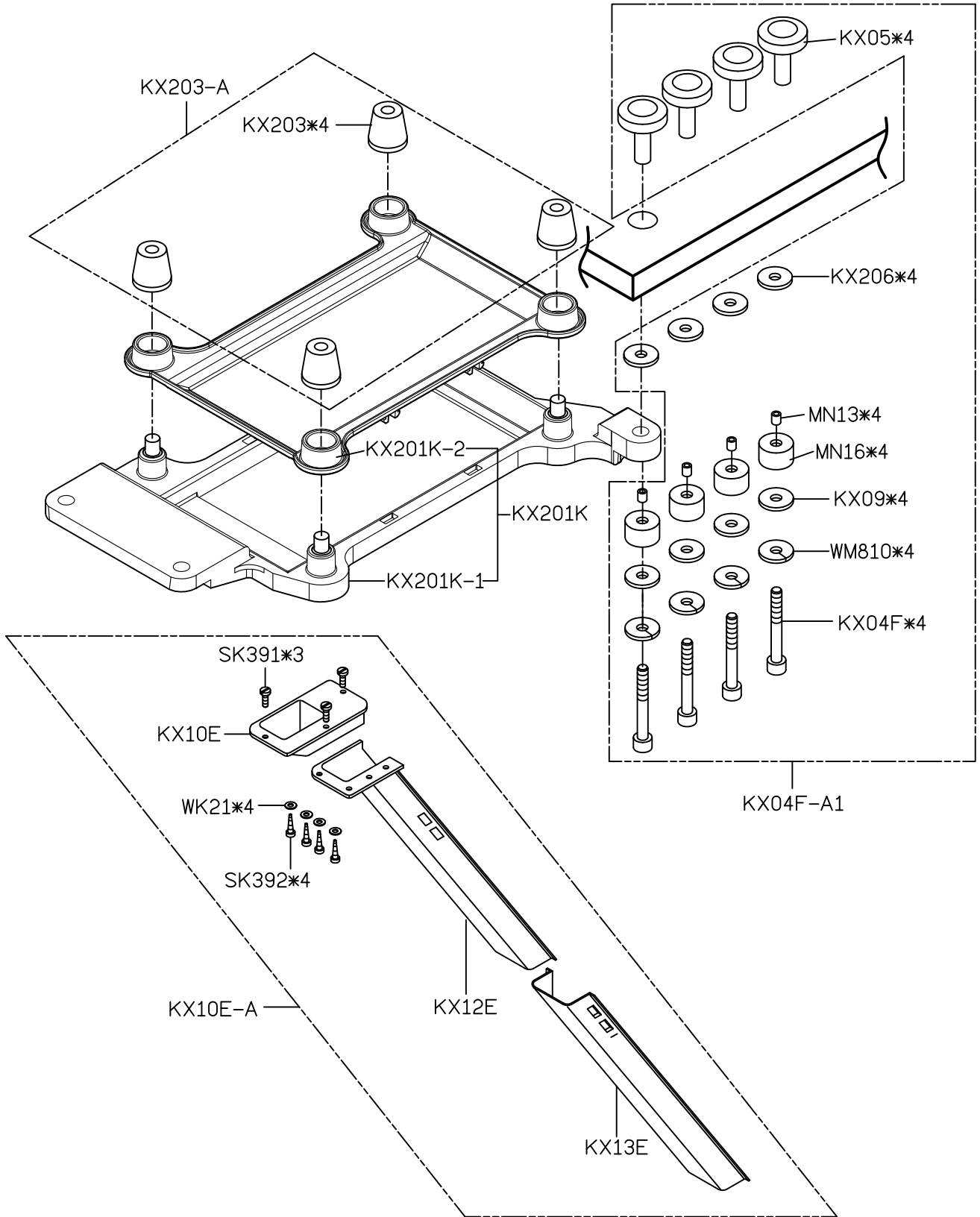
A

B

C

D

E



1

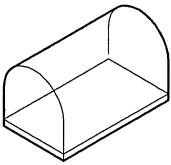




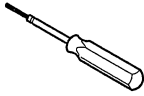
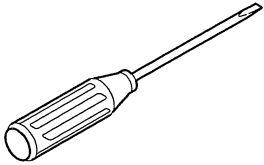

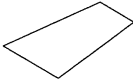

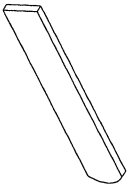

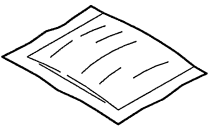
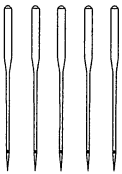
2

3

4

5

SIRUBA PARTS LIST	Series	Parts Group	Subclass Remark	Page
	700L	KY		1/1
				Date
				2017/7/5

A	KY01-1 防塵罩 	KY203-A 油罐 	KY03 油壺 	KY04 漏斗 	SK216 螺絲 	
	B	KY14 內六角螺絲起子 	LY33 一字起子 	KY18 鑷子 	KY30 針板紙 	KY201 工具袋 
		C	KR35 下刀片 	KT14-A 濾油器 	KZ03 乾燥濟 	針*5 車針 
D						
	E					
	1	2	3	4	5	

A

B

C

D

E

KW40E

KX201K-2

KX201K-1

KX201K

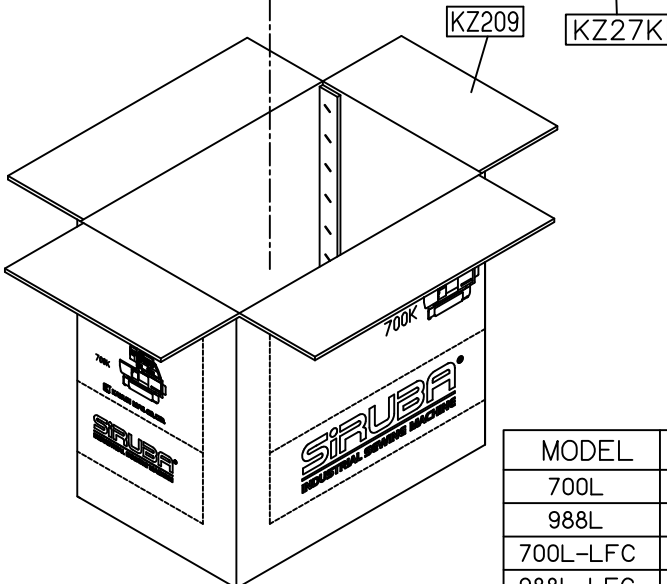
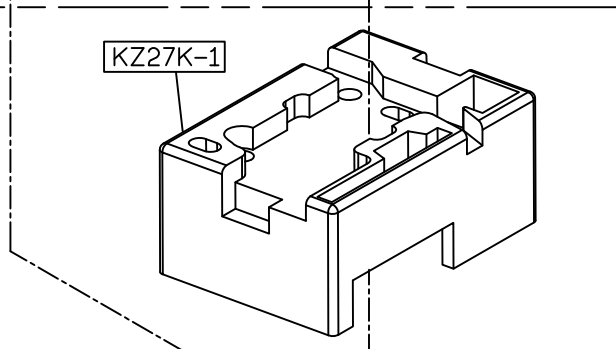
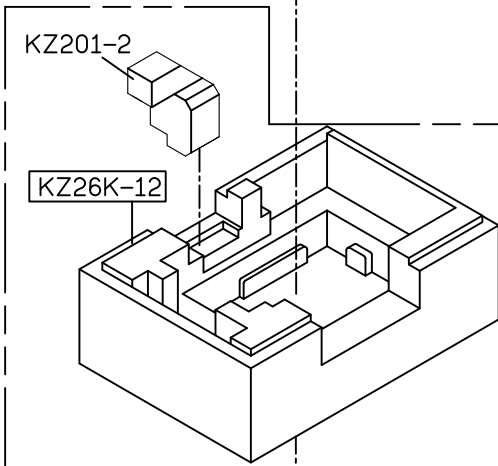
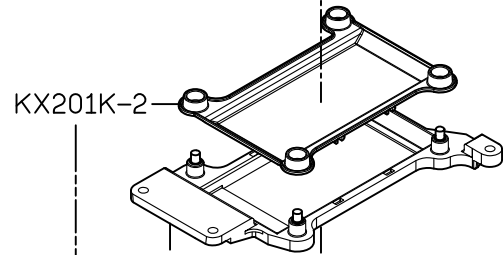
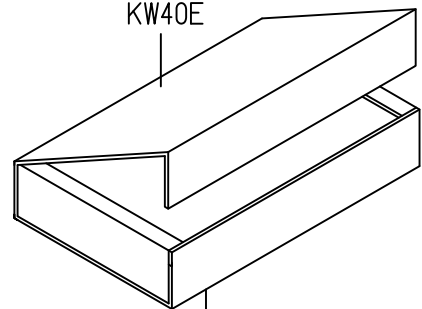
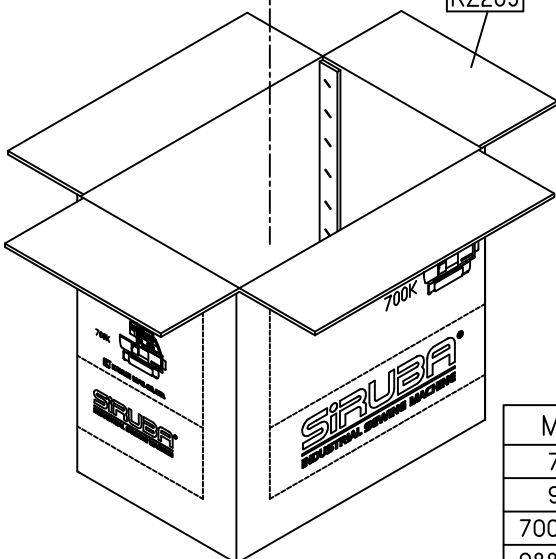
KZ201-2

KZ26K-12

KZ27K-1

KZ209

KZ27K



MODEL	PARTS NO		
700L	KZ209	KZ27K	KZ27K-1/KZ26K-12/KZ201-2
988L	KZ53P-1	KZ27K	KZ27K-1/KZ26K-12/KZ201-2
700L-LFC	KZ55P	KZ51K	KZ51K-1/KZ26K-2
988L-LFC	KZ55P-1	KZ51K	KZ51K-1/KZ26K-2

1

2

3

4

5