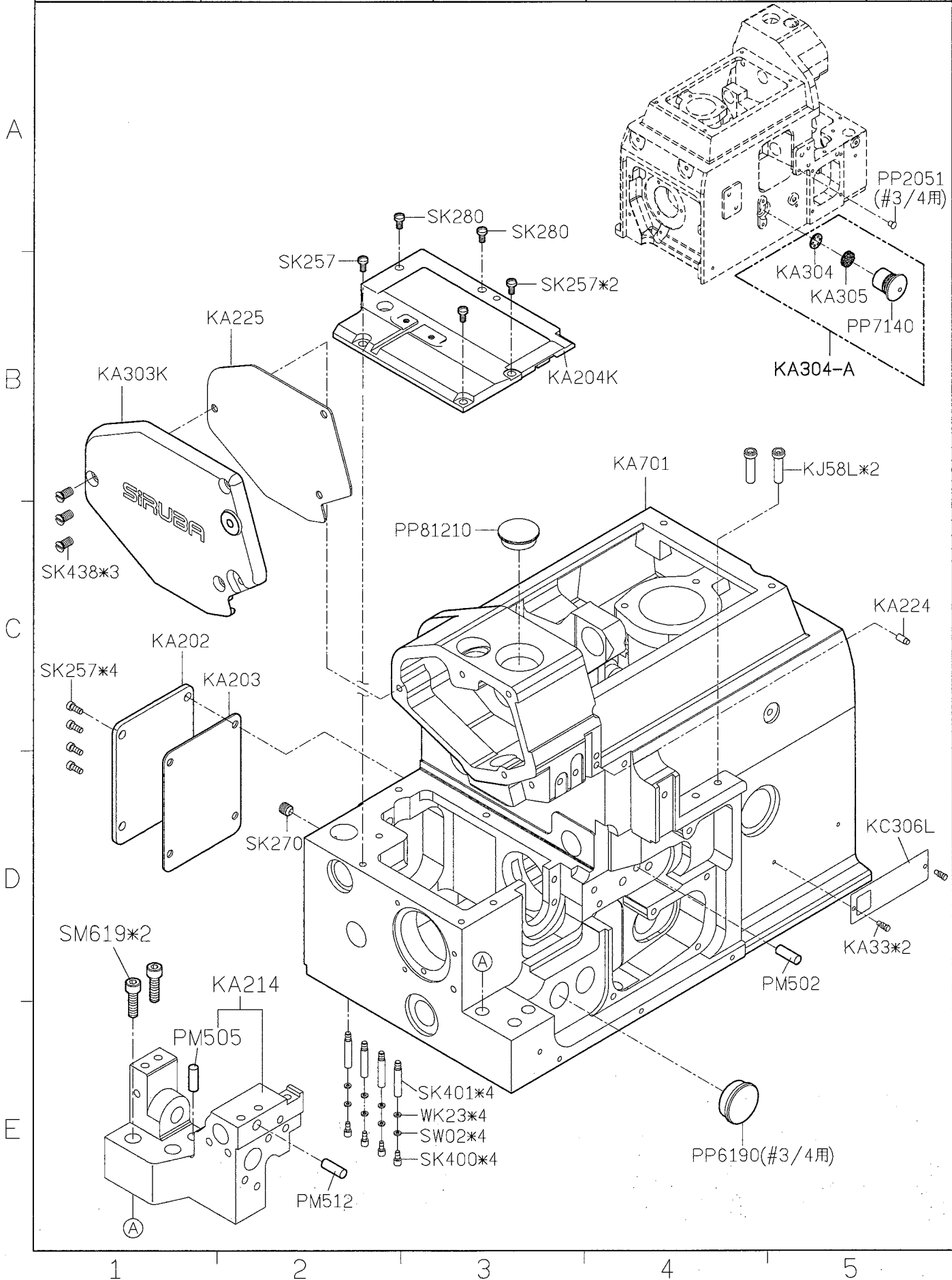
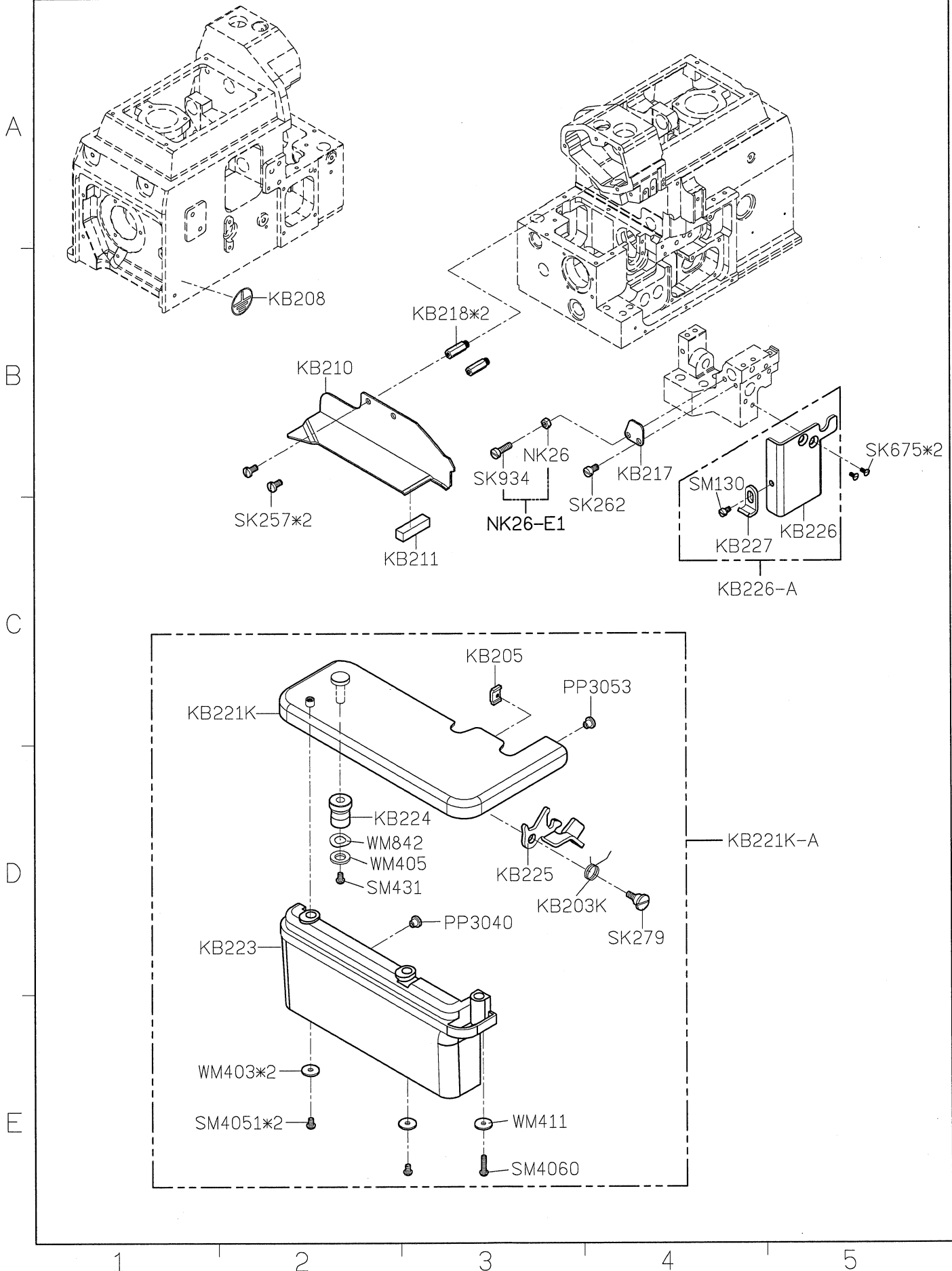


SIRUBA PARTS LIST	Series	Parts Group	Subclass / Remark	Page
	700LQ	KA		1/1
				Date
				2021/04/07



SIRUBA PARTS LIST	Series	Parts Group	Subclass / Remark	Page
	700LQ	KB		1/1
				Date
				2021/03/25



MODEL	#3/#4	#5/#6
	KC209K	<C219<
PARTS NO	KC303K-4	KC303K-5
	SM431*2	SM446*2

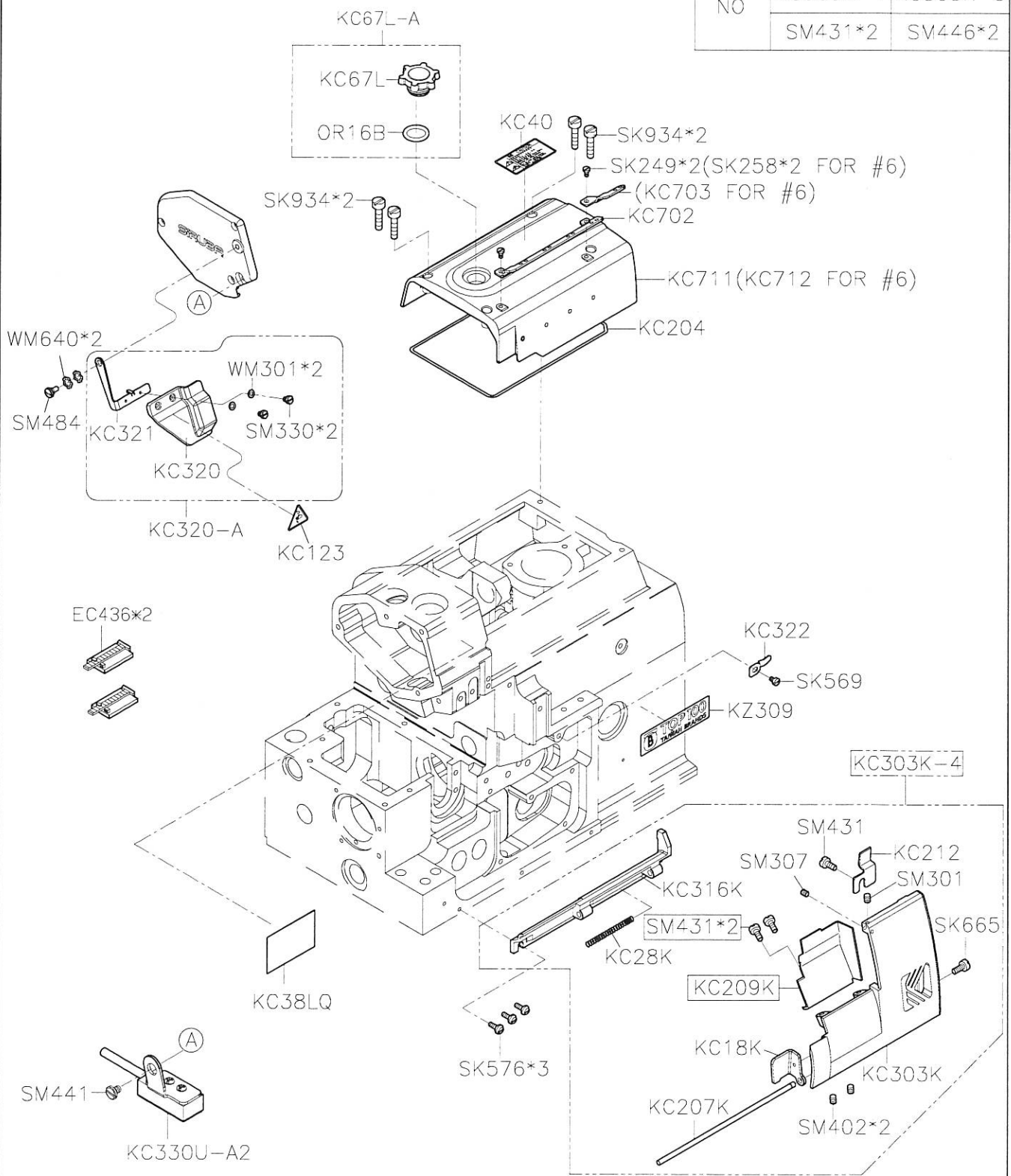
A

B

C

D

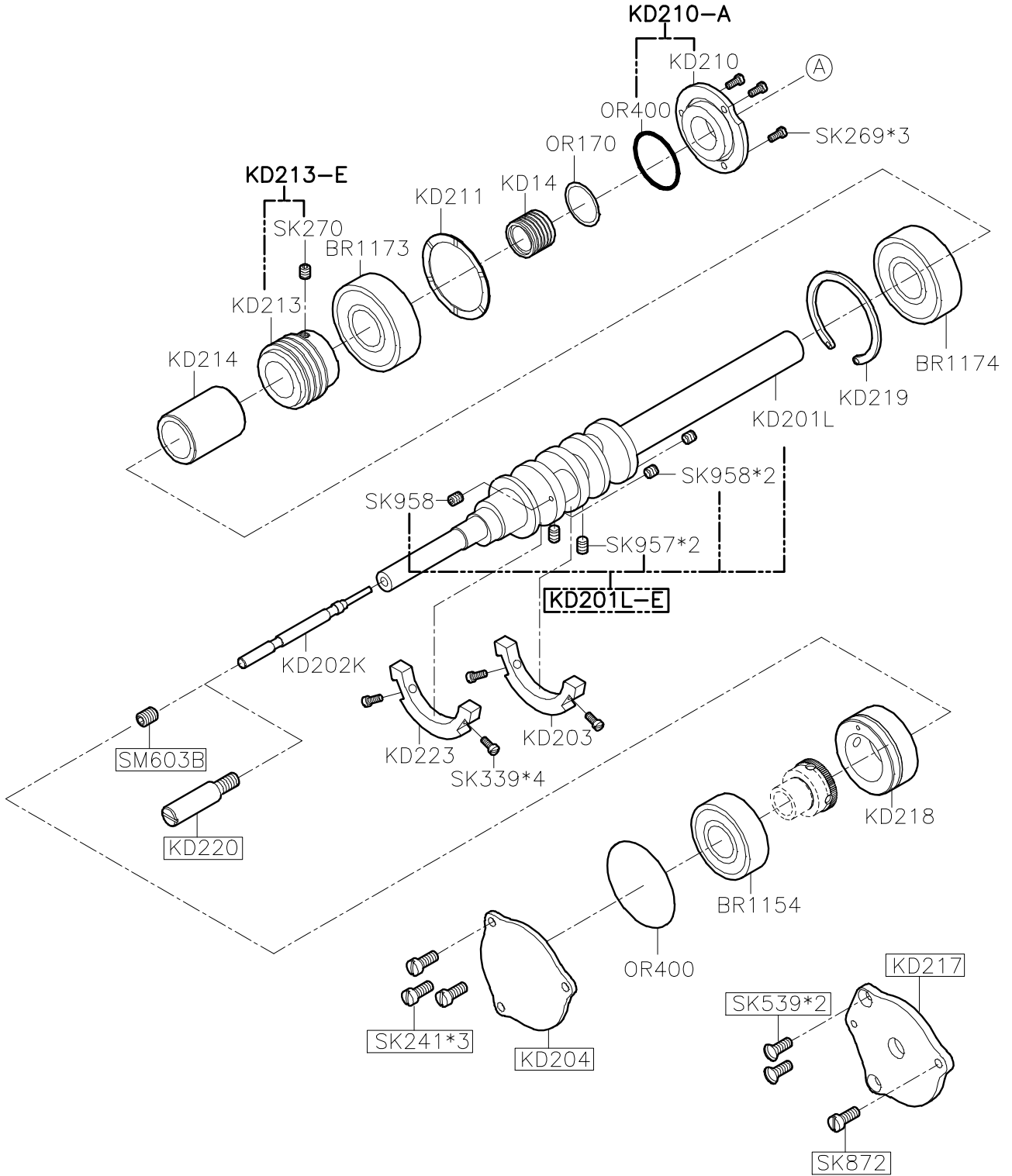
E



SIRUBA PARTS LIST	Series	Parts Group	Subclass / Remark	Page
	700LQ	KD		1/2
				Date
				2022/06/16

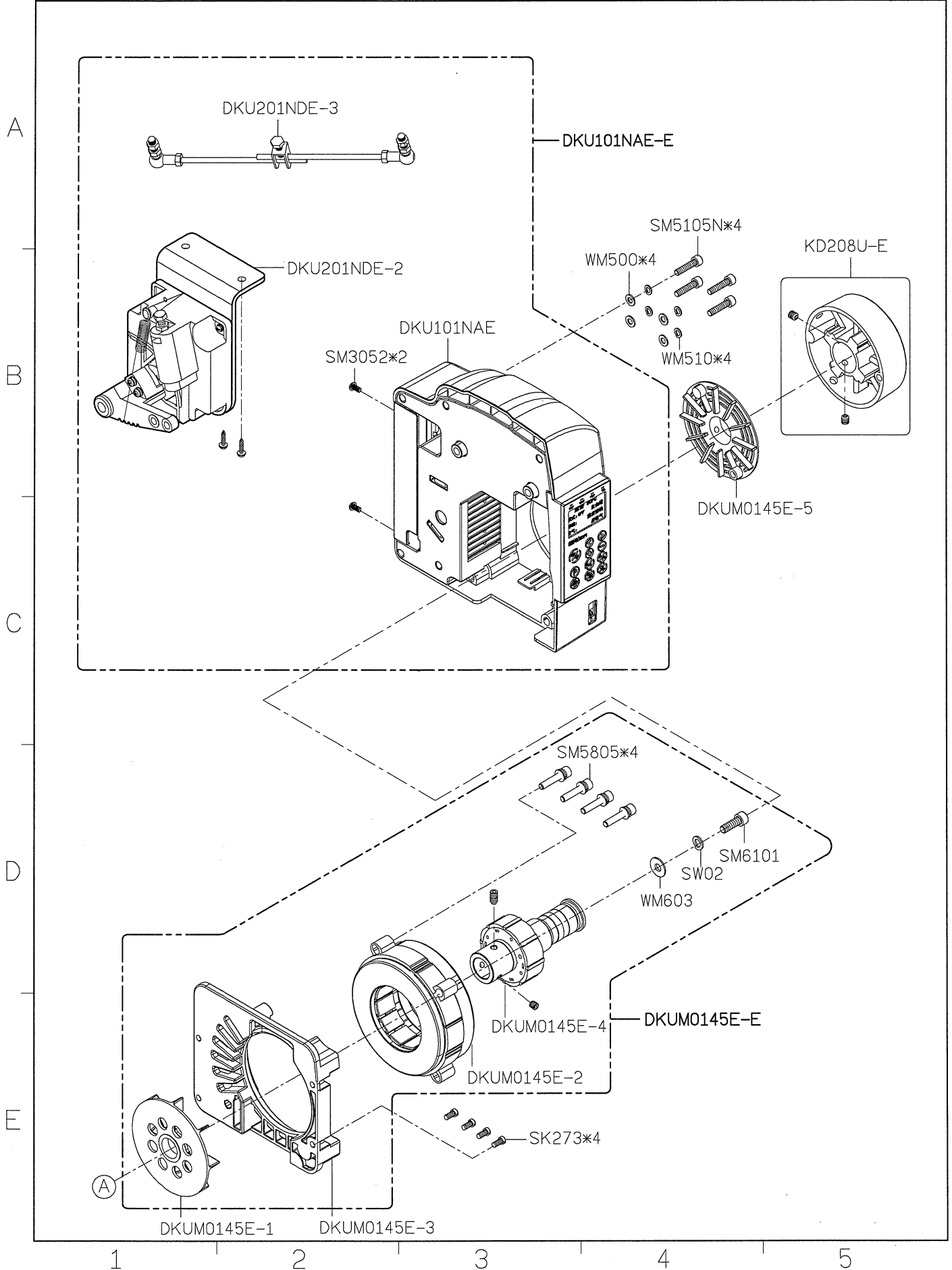
MODEL	#3/#4	#5/#6
	KD204	KD217
PARTS NO	SM603B	KD220
	SK241*3	SK539*2 SK872*1
	KD201L	

A
B
C
D
E

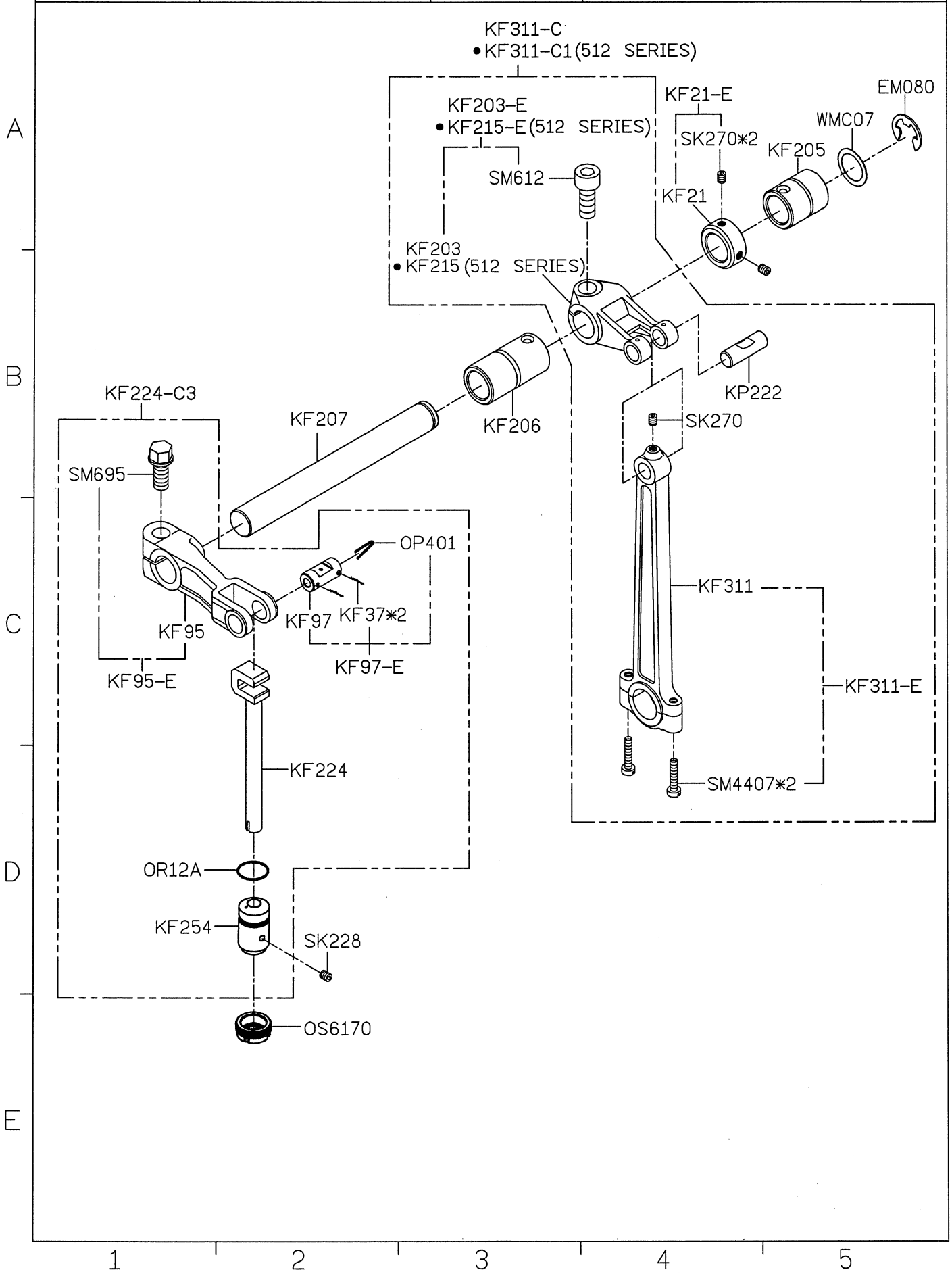


1 2 3 4 5

SIRUBA PARTS LIST	Series	Parts Group	Subclass / Remark	Page
	700LQ	KD		2/2
				Date
				2021/03/25

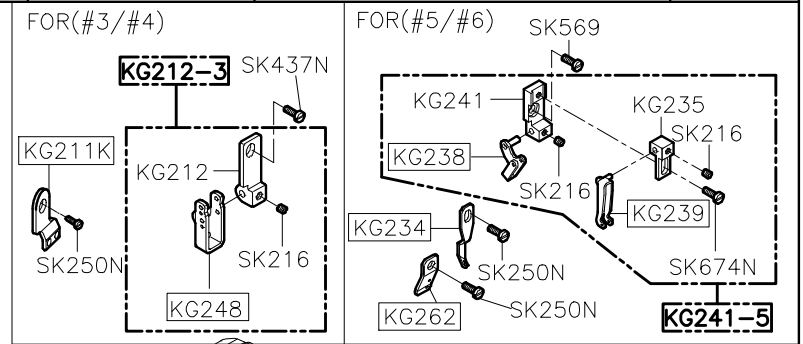


SIRUBA PARTS LIST	Series	Parts Group	Subclass / Remark	Page
	700LQ	KF		1/1
				Date
				2021/03/25



SIRUBA PARTS LIST	Series	Parts Group	Subclass / Remark	Page
	700LQ	KG		1/1
				Date
				2022/10/04

MODEL	#3	#4	#5	#6
	KG262	KG211K	KG262	KG211K
	KG248	KG213K	KG239	KG246
	KG250K	KG269	KG243K	KG251K
	KG222	KG222	KG245	KG245
	KG225	KG225	KG261	KG261
	KG201	KG201	KG244	KG244
	KG93	KG92	KG267	KG267
	SK216	SK216	SK216*2	SK216*2
	SK250N	SK250N	SK250N*2	SK250N*2
	SK437N	SK437N	SK569 SK674N	SK569 SK674N
	SM251	SM251	SM250	SM250
	KG212-3	KG212-4	KG241-5	KG241-6
	KG223-4	KG223-4	KG223-5	KG223-5
		KG41	KG238	KG238
		KG41-E		KG41-E
			KG234	KG234

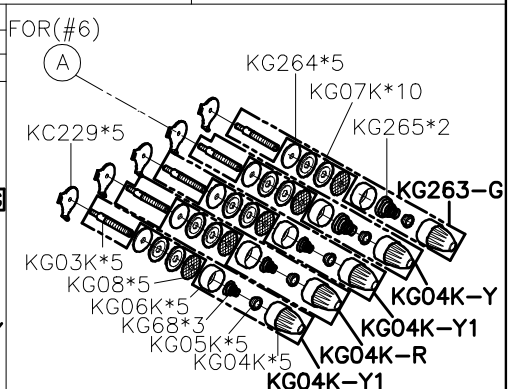
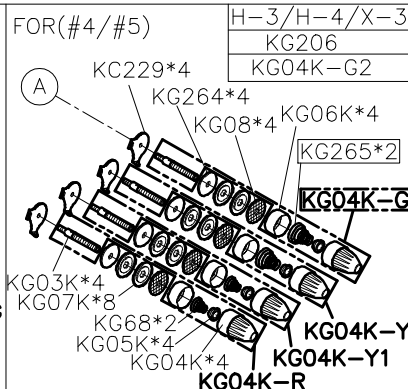
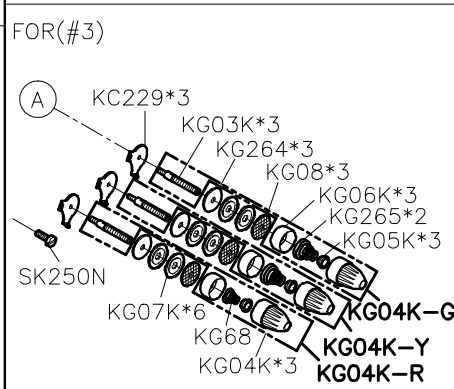
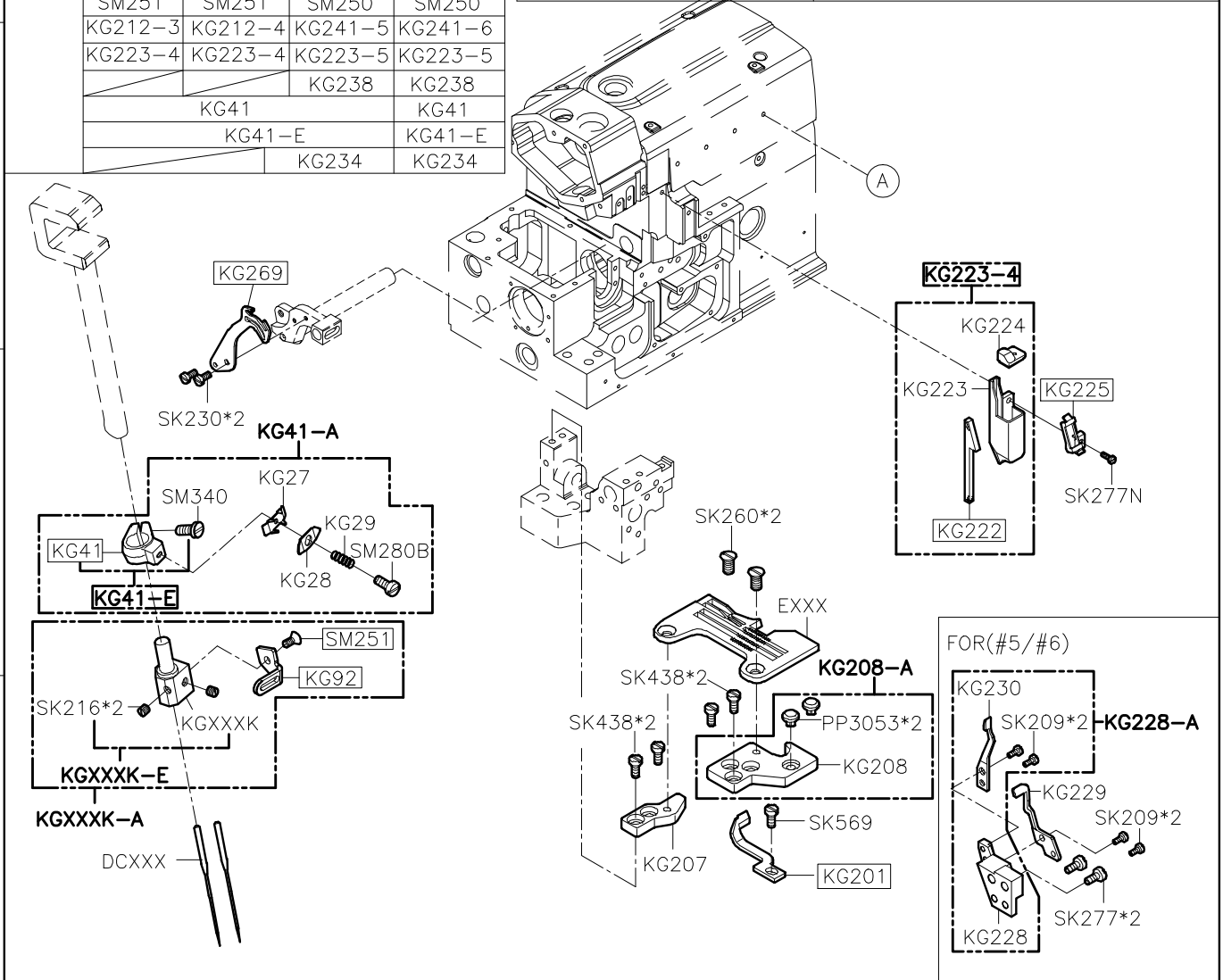


A

B

C

D



E

1

2

3

4

5

MODEL	#3/#5	#4/#6
PARTS NO	KJ247L-E	KJ246L-E
	KJ206	KJ203
	KJ206-E	KJ203-E
	KJ206-C1	KJ203-C1
	KJ245	KJ242
	KJ245-C2	KJ242-C2

A

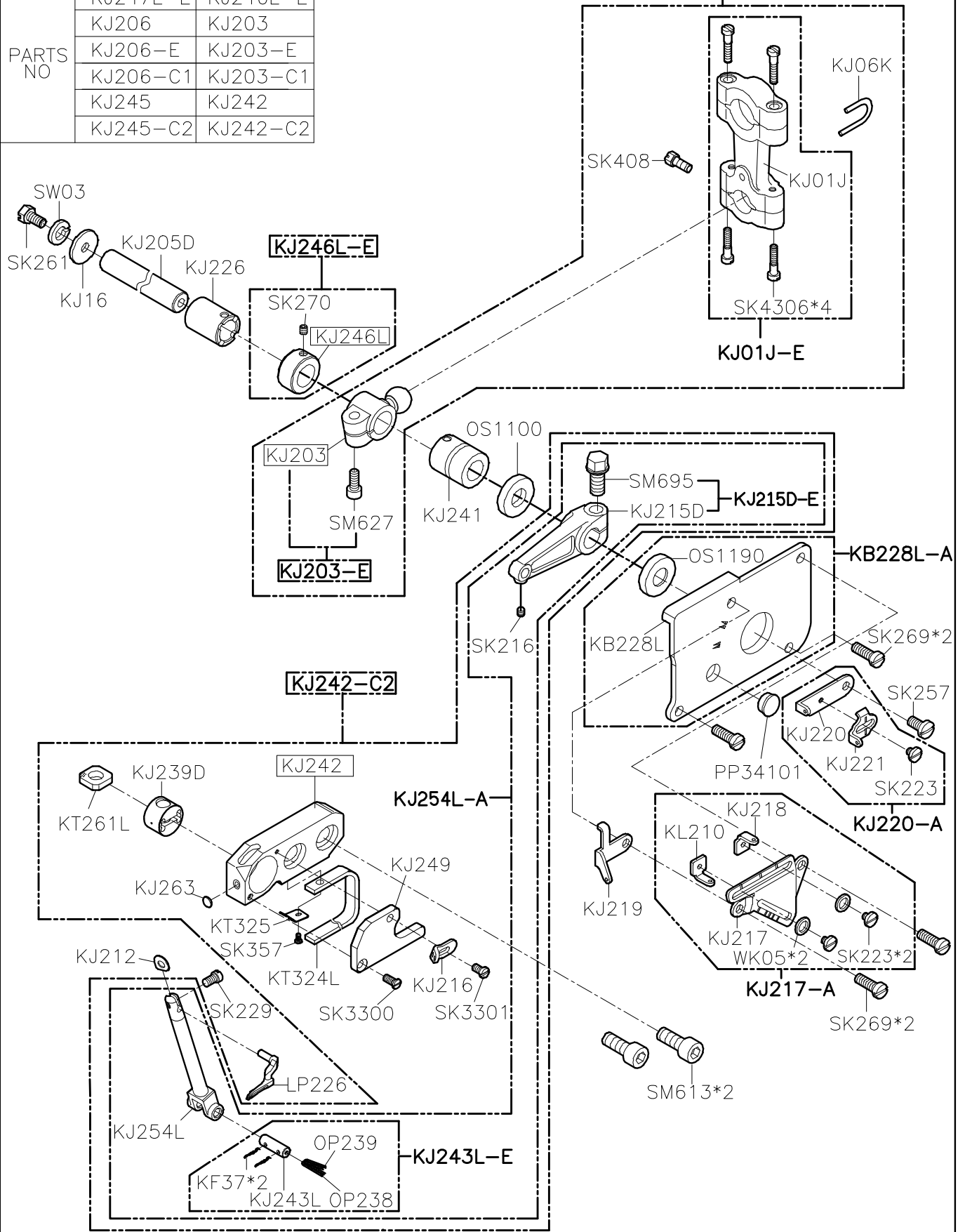
B

C

D

E

KJ203-C1



1

2

3

4

5

SIRUBA PARTS LIST	Series	Parts Group	Subclass / Remark	Page
	700LQ	KL		1/1
				Date
				2021/03/25

MODEL	#3/#4	#5/#6
PARTS NO	KJ222	
	KL202	
	KL211-A	
	KL205	KL209
	SK270	
	KL205-E	KL209-E
	KL205-C	KL209-C

KL KL KM
 SERIES SERIES SERIES
 $\boxed{P} + \boxed{R} + \boxed{S} = \text{KL209-C}$
 KL KL
 SERIES SERIES
 $\boxed{P} + \boxed{Q} = \text{KL205-C}$

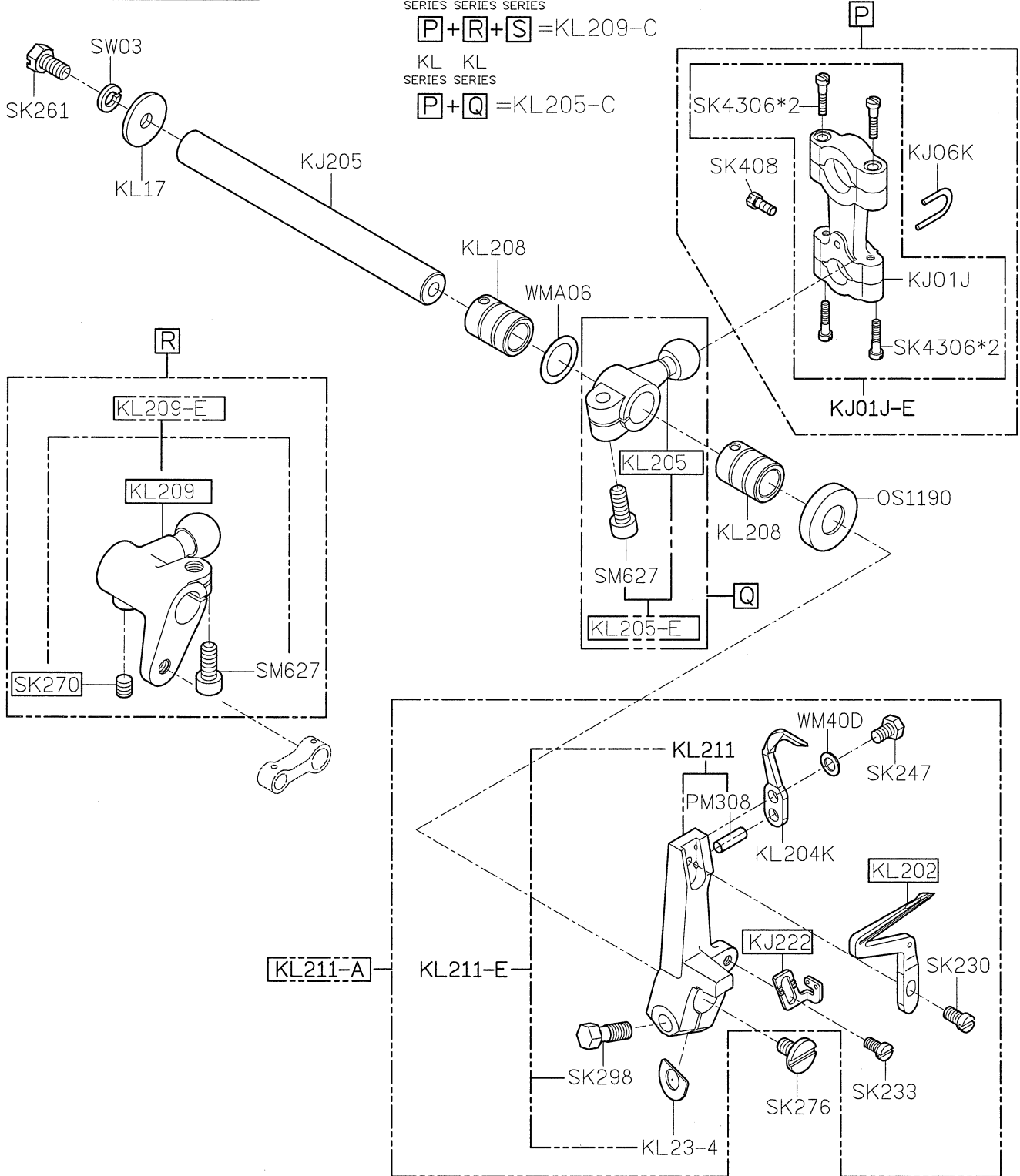
A

B

C

D

E



1

2

3

4

5

SIRUBA PARTS LIST	Series	Parts Group	Subclass / Remark	Page
	700LQ	KM		1/1
				Date
				2021/03/25

$\boxed{S} + \boxed{R} + \boxed{P} = \text{KL209-C}$
 KM KL KL

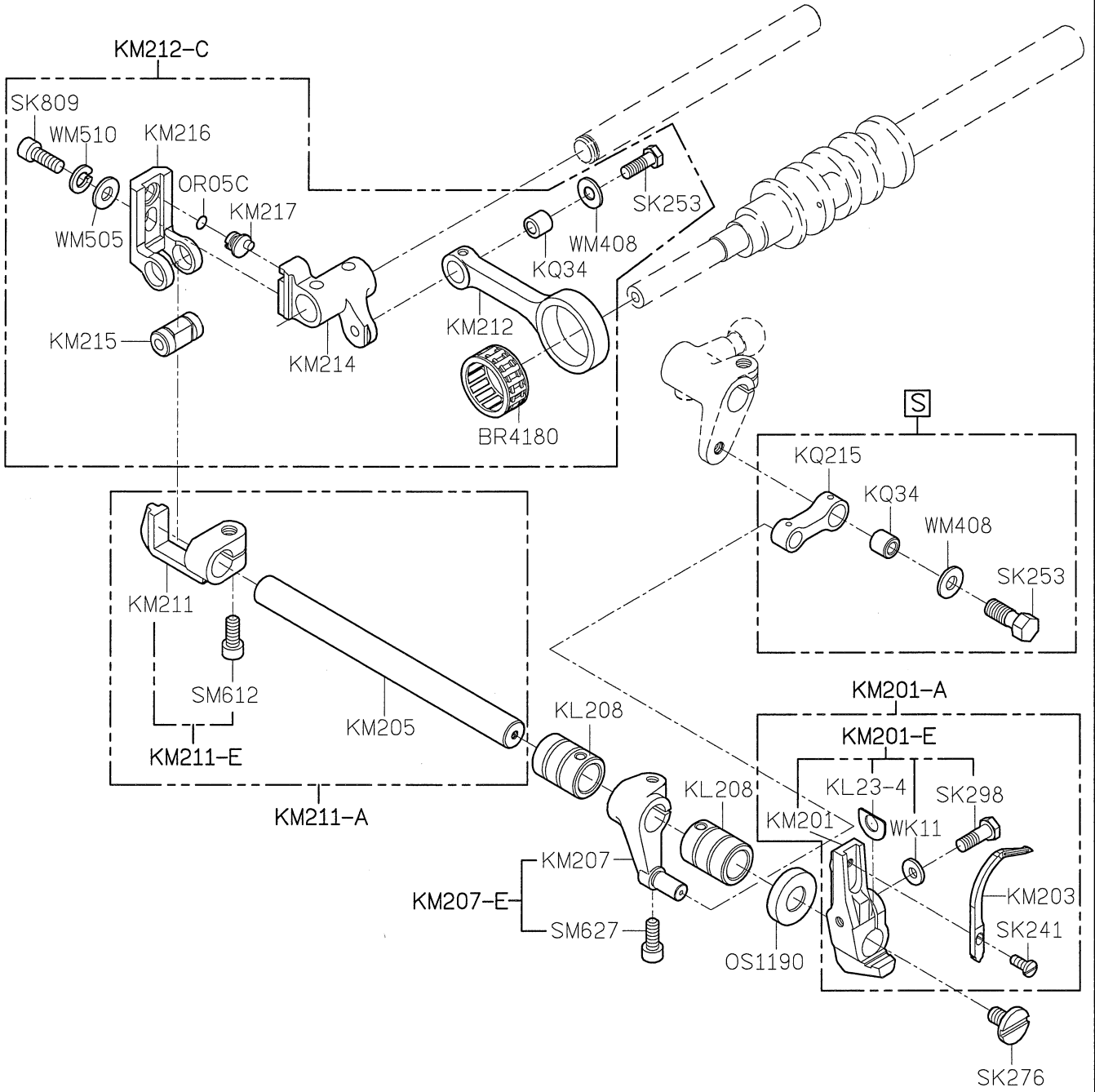
A

B

C

D

E



1

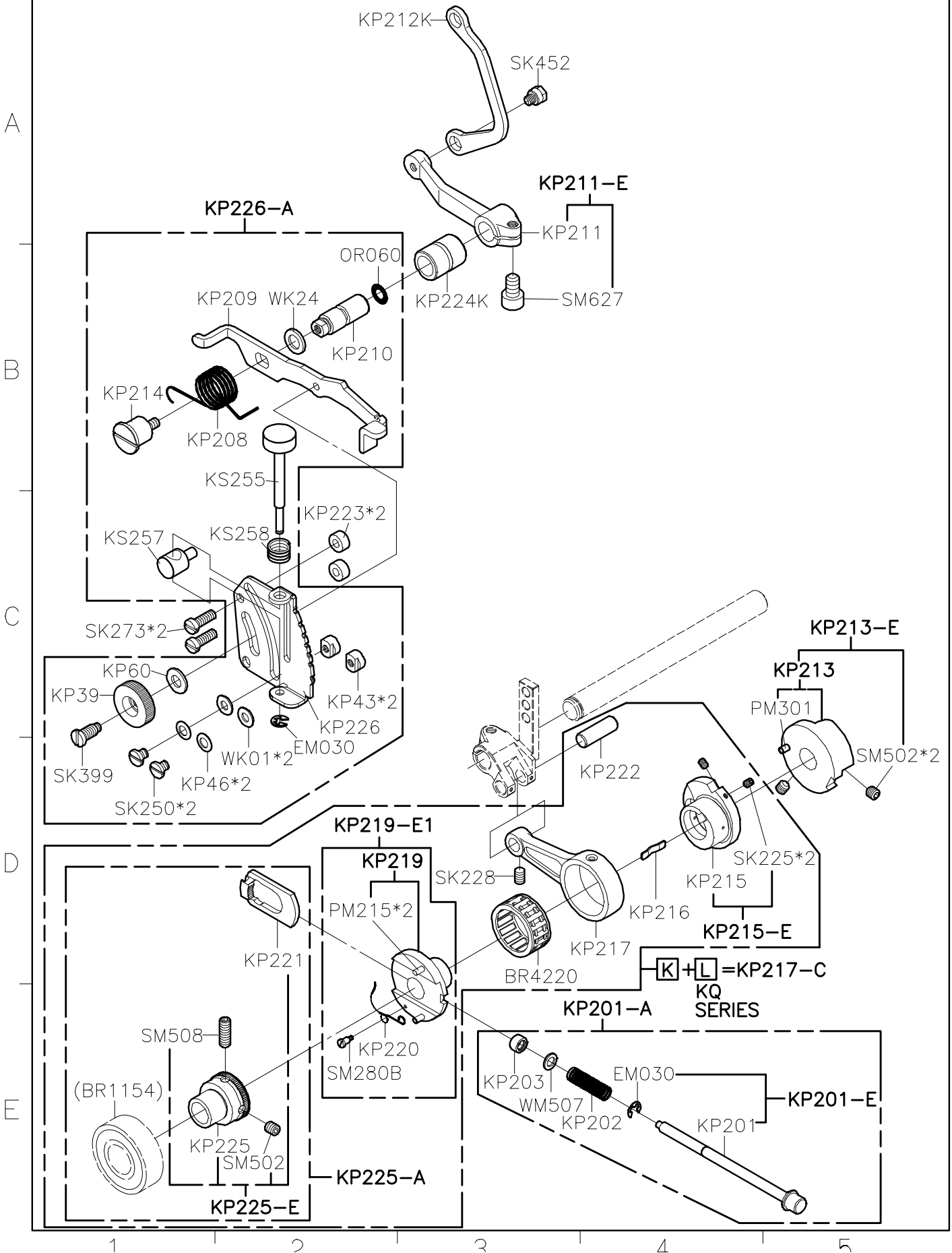
2

3

4

5

SIRUBA PARTS LIST	Series	Parts Group	Subclass / Remark	Page
	700LQ	KP		1/1
				Date
				2022/12/14



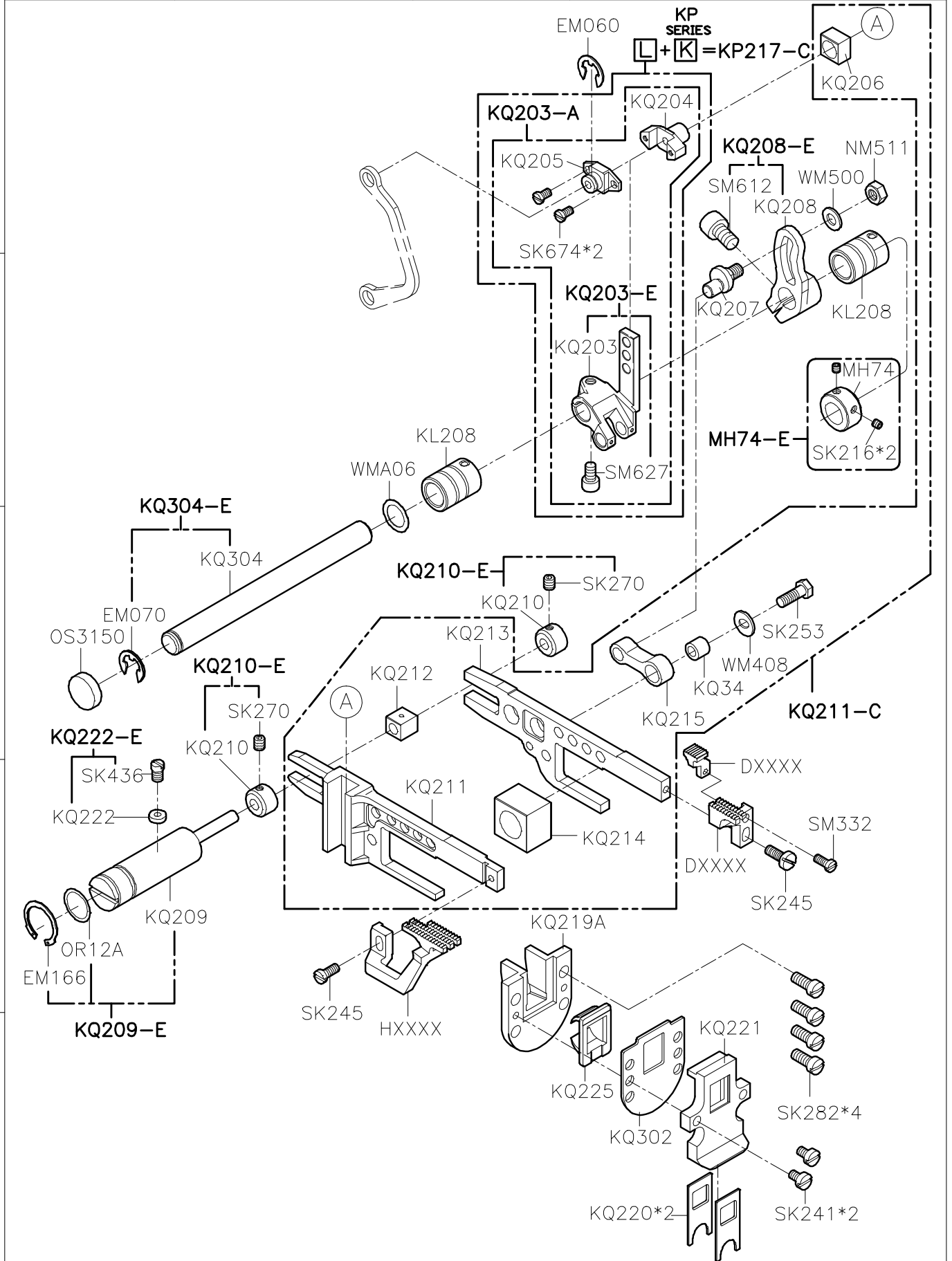
A

B

C

D

E



1

2

3

4

5

SIRUBA PARTS LIST	Series	Parts Group	Subclass / Remark	Page
	700LQ	KR		1/1
				Date
				2021/03/25

MODEL	#3/#4	#5/#6
PARTS NO	KR202	KR218
	KR202-E	KR218-E
	KR311-C	KR311-C1
	KR206K	KR221
	KR206K-A	KR221-A
	KR209	KR219
	KR209-A	KR219-A
	KR35	KR35
KR212		

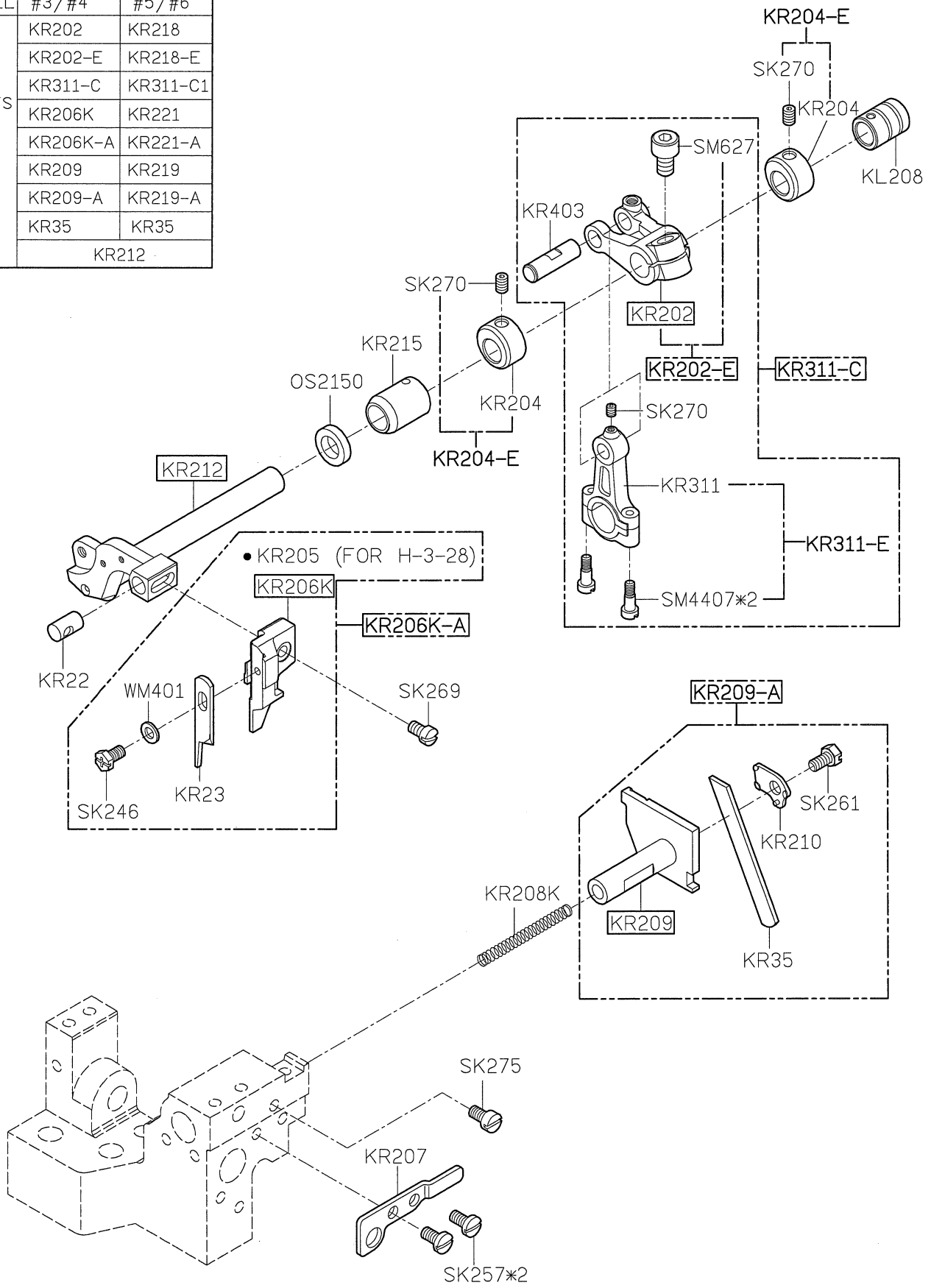
A

B

C

D

E



SIRUBA PARTS LIST	Series	Parts Group	Subclass / Remark	Page
	700LQ	KS		1/1
				Date
				2022/06/14

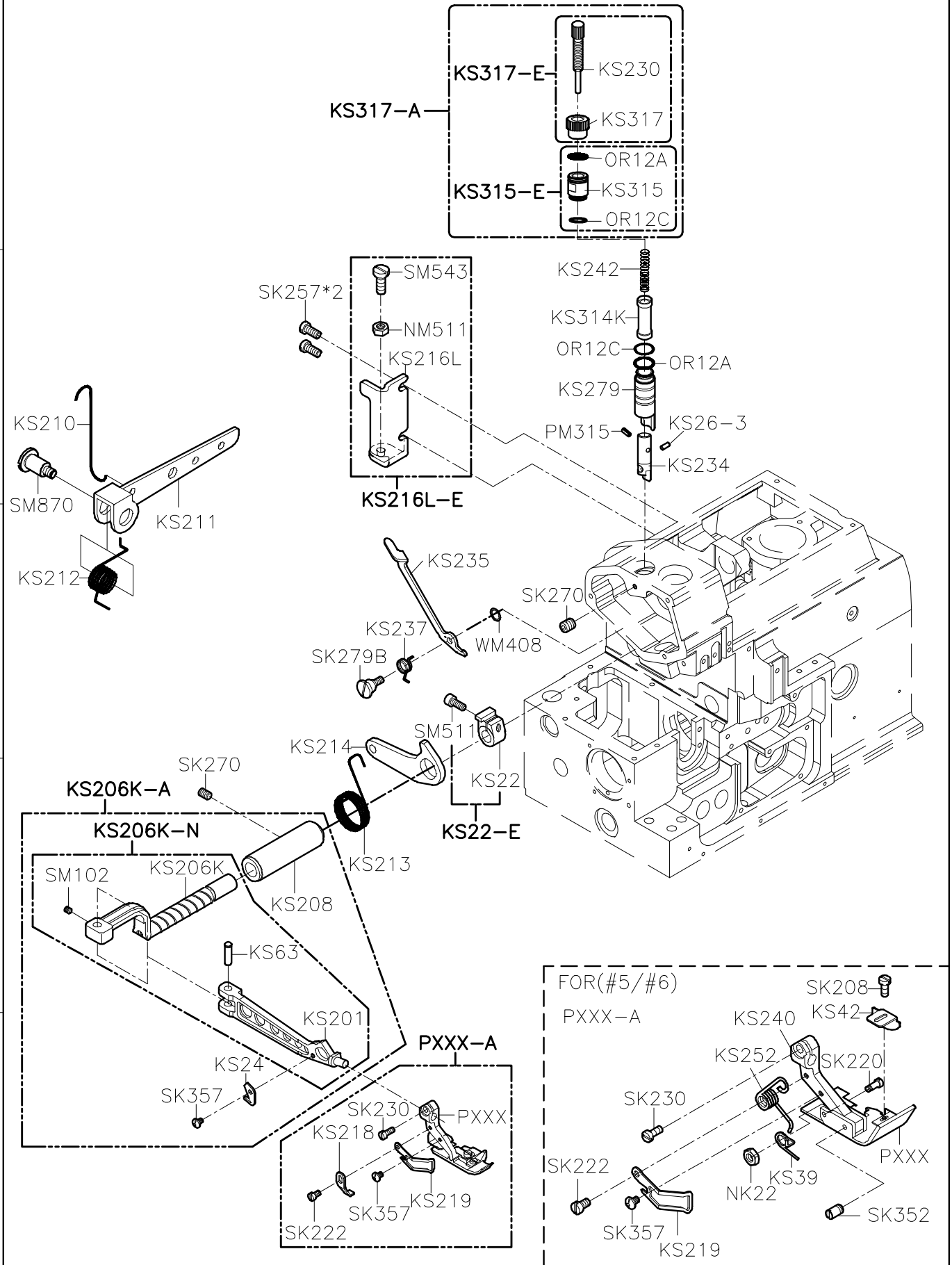
A

B

C

D

E



1

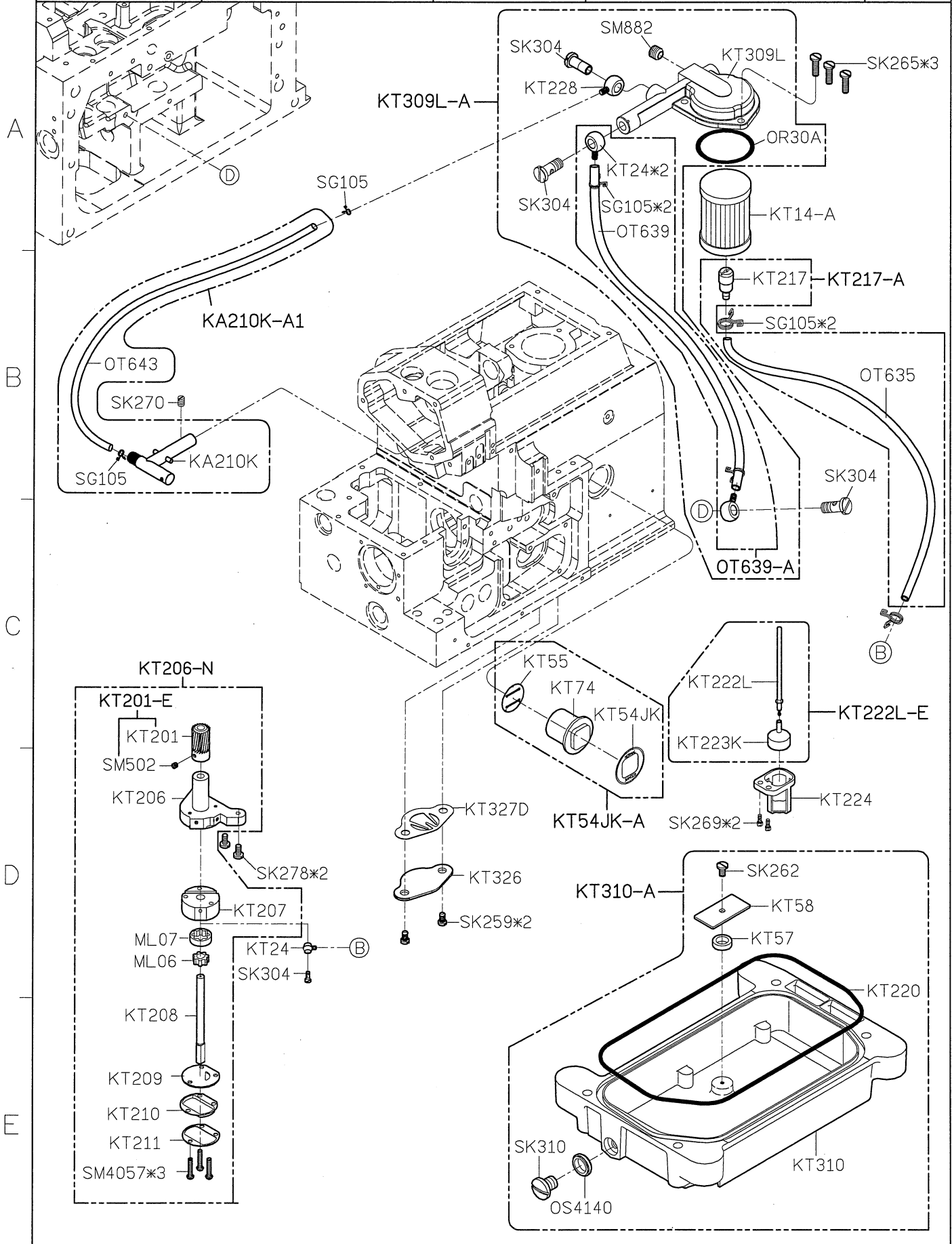
2

3

4

5

SIRUBA PARTS LIST	Series	Parts Group	Subclass / Remark	Page
	700LQ	KT		1/1
				Date
				2021/03/25



1

2

3

4

5

SIRUBA PARTS LIST	Series	Parts Group	Subclass / Remark	Page
	700LQ	KU		1/1
				Date
				2021/03/25

MODEL	#3/#4	#5/#6
PARTS NO	KU40	KU39
	KU220-4	KU220-5
	KU207	KU209
	KU206	KU211
	KU203-4	KU203-5
	SK277	SK437

KU60-A
(FOR 505F1-04)

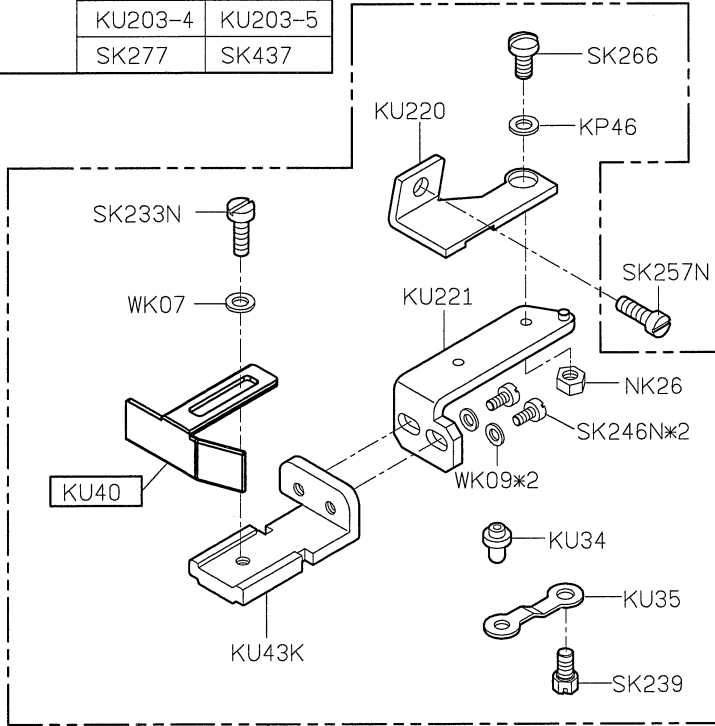
A

B

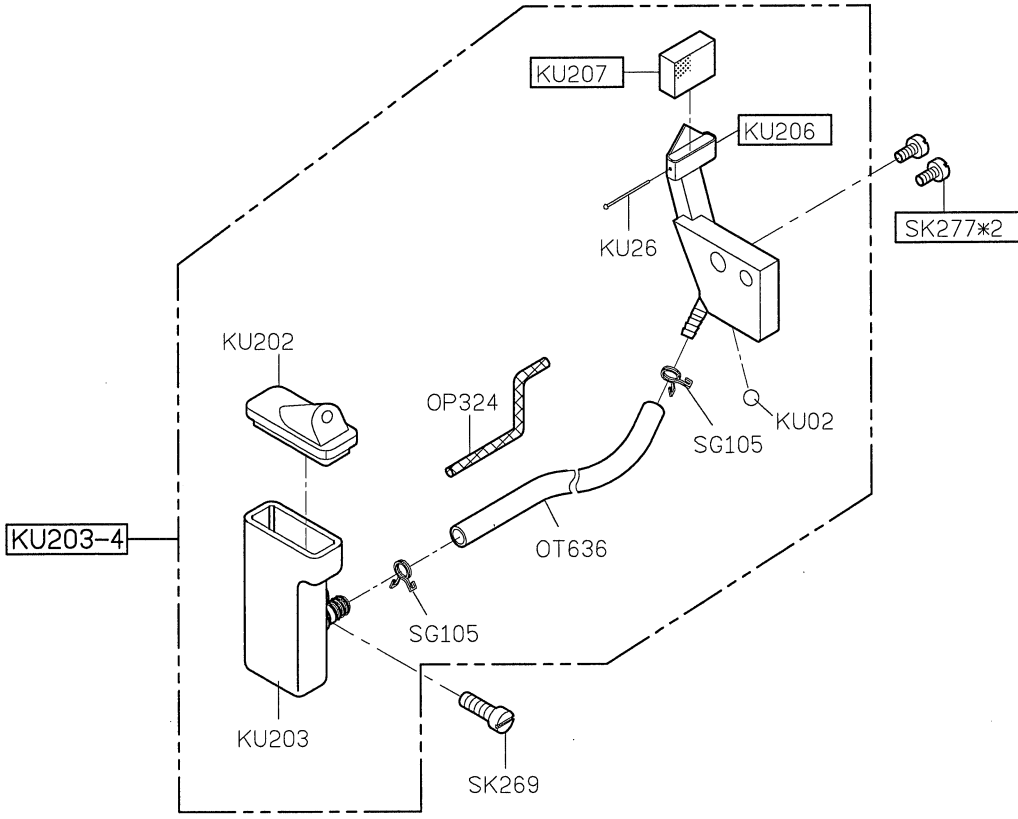
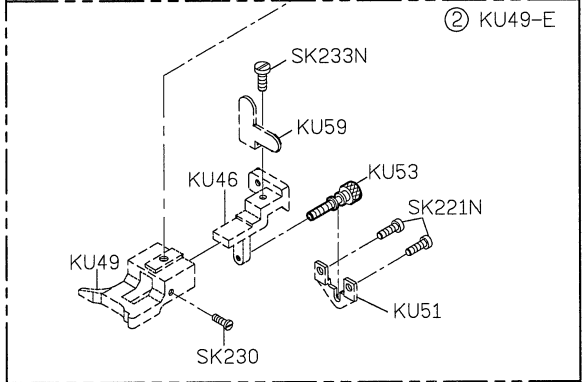
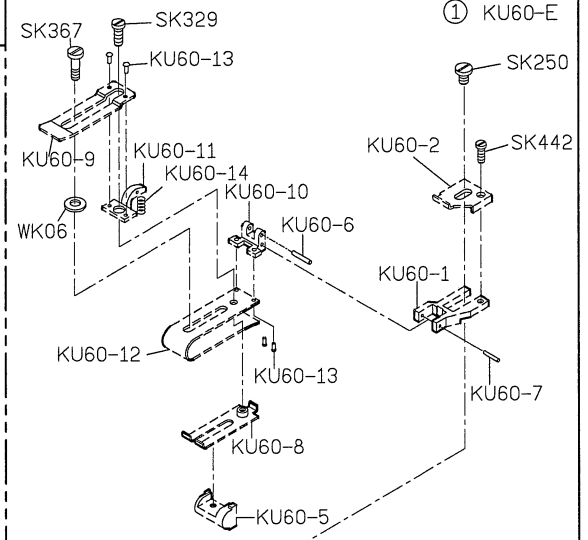
C

D

E

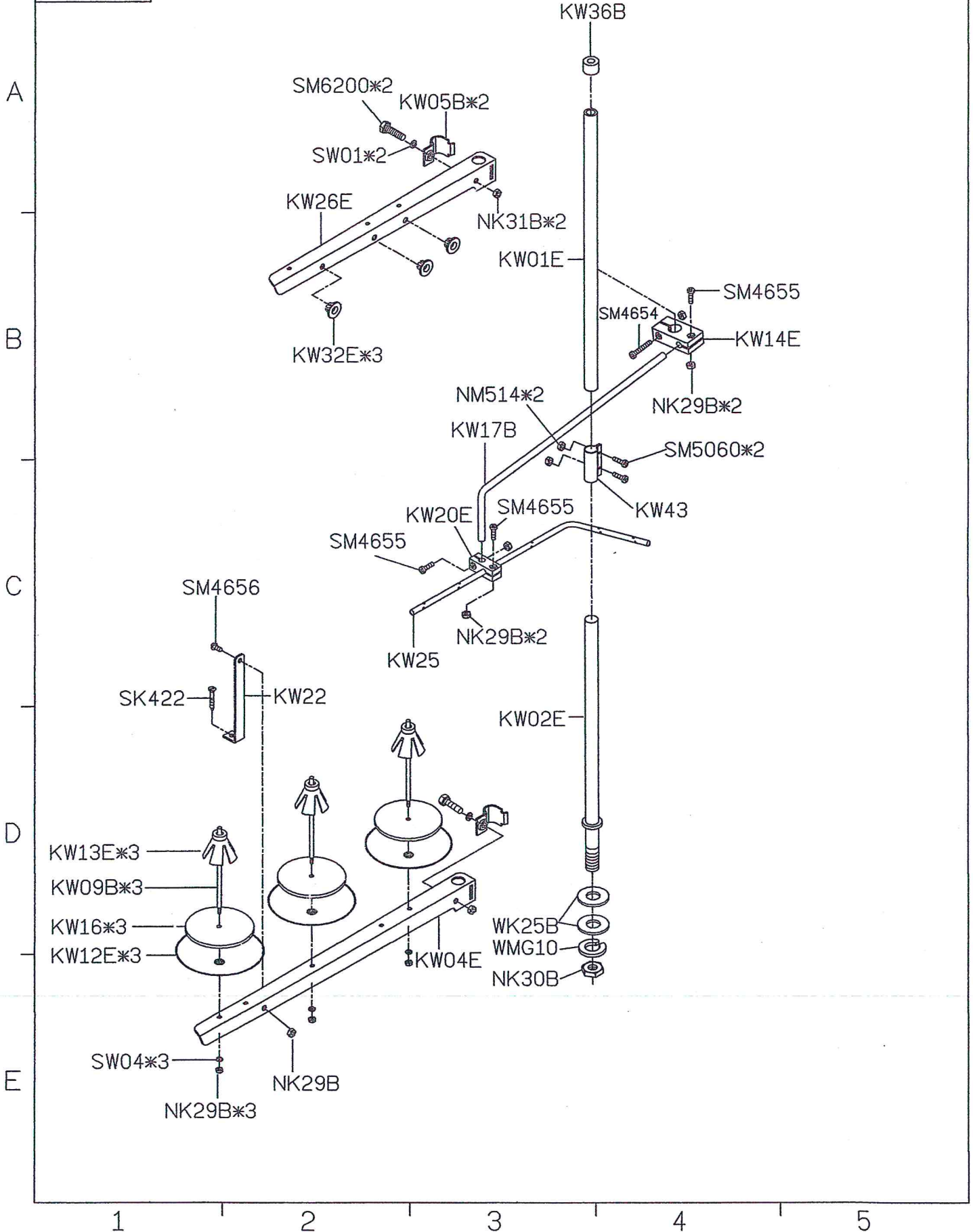


Option: **KU220-4**



SIRUBA PARTS LIST	Series	Parts Group	Subclass / Remark	Page
	拷克	KW		1/4
	Overlock			Date
	含MO6800系列			2022/07/11

KW40E-3

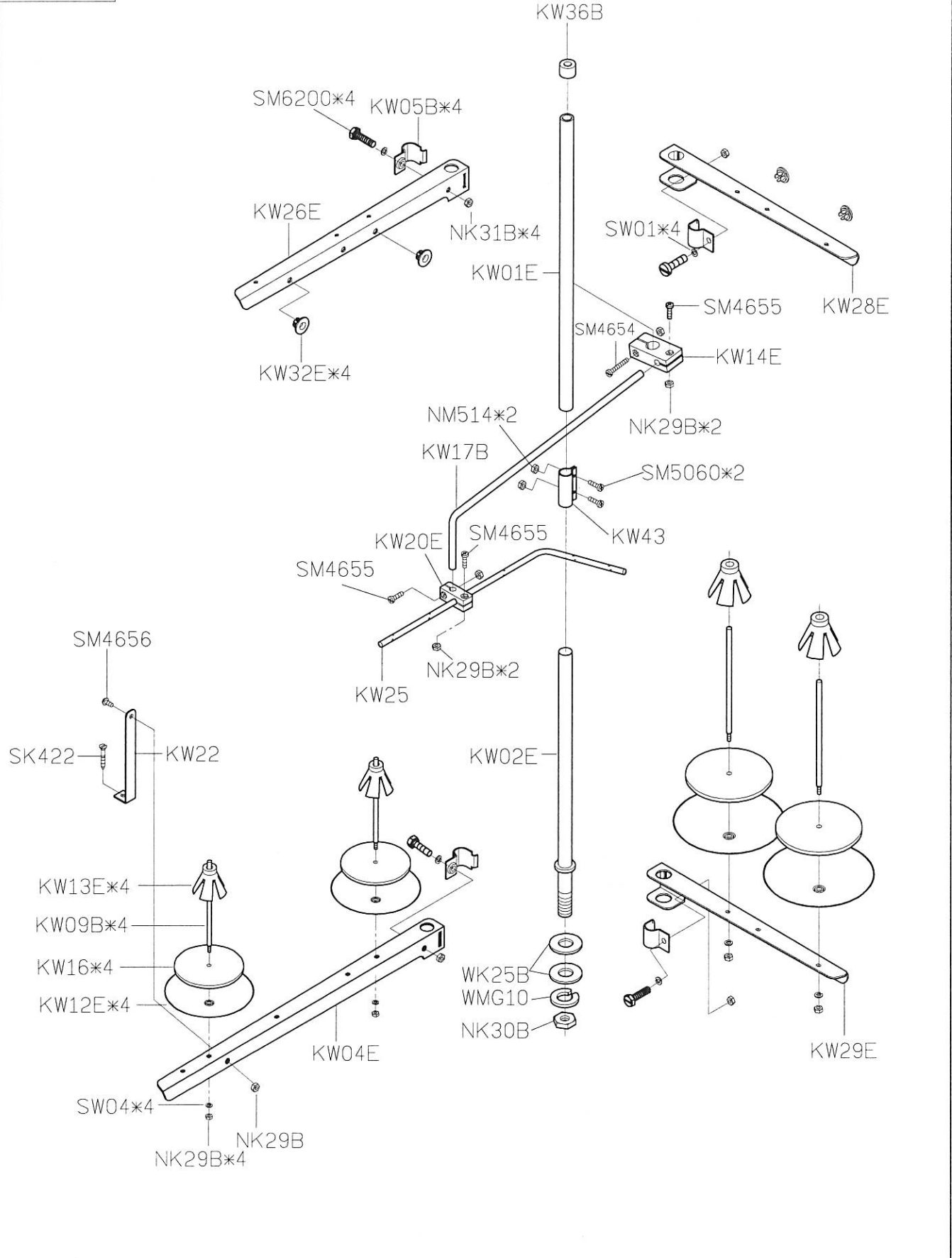


SIRUBA PARTS LIST	Series	Parts Group	Subclass / Remark	Page
	拷克	KW		2/4
	Overlock			Date
	含MO6800系列			2022/07/11

KW40E-4

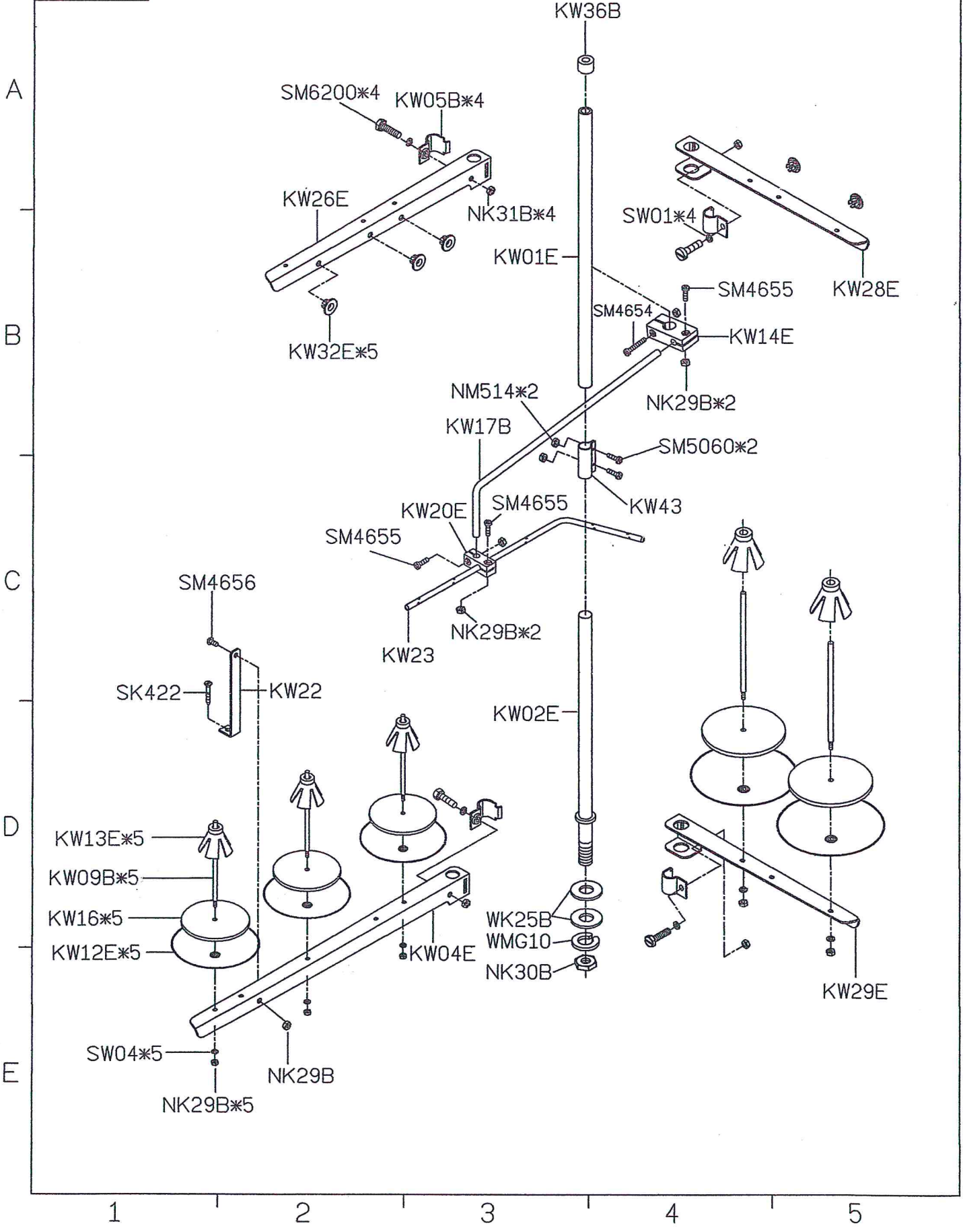
A
B
C
D
E

1 2 3 4 5



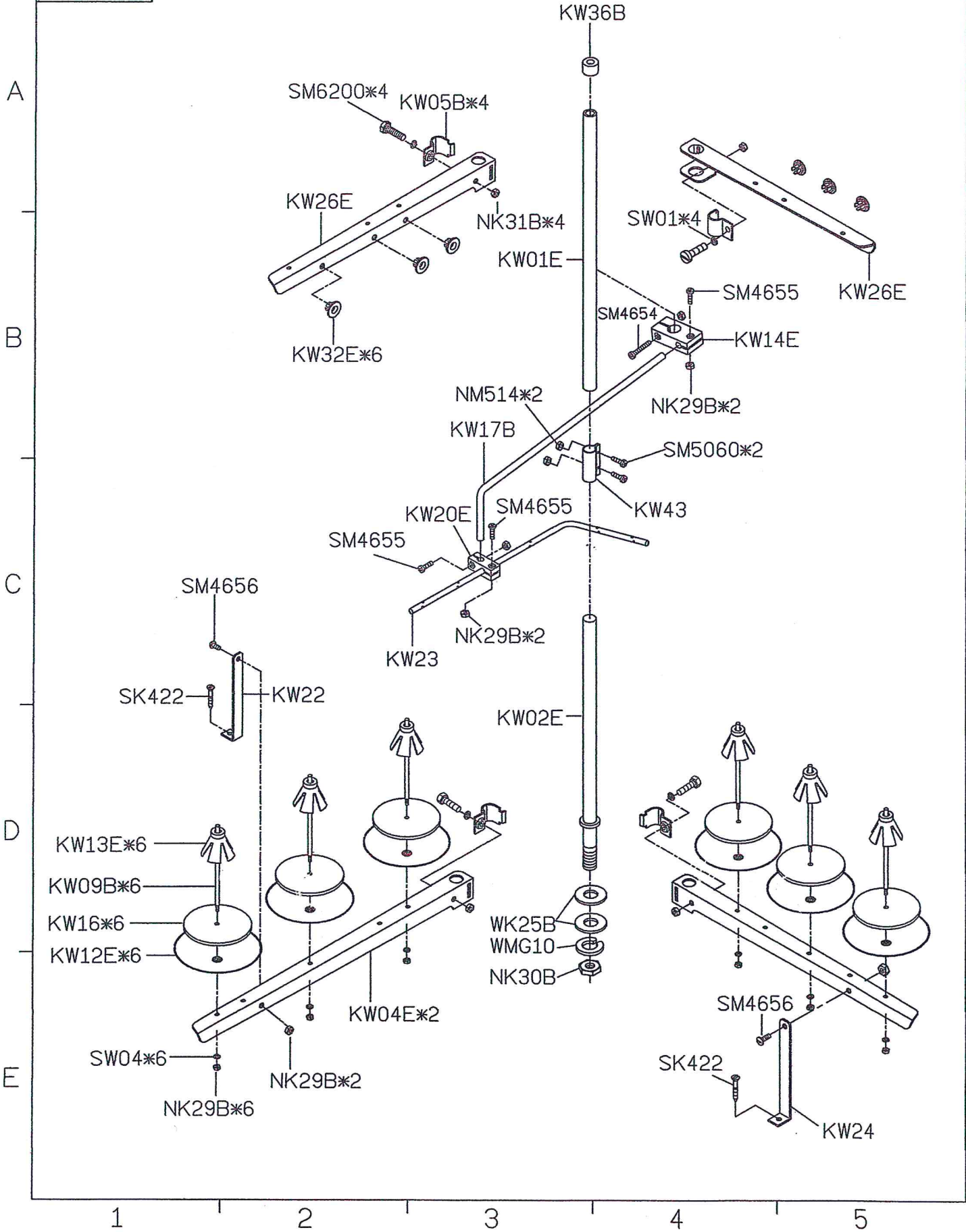
SIRUBA PARTS LIST	Series	Parts Group	Subclass / Remark	Page
	拷克	KW		3/4
	Overlock			Date
	含MO6800系列			2022/07/11

KW40E-5



SIRUBA PARTS LIST	Series	Parts Group	Subclass / Remark	Page
	拷克	KW		4/4
	Overlock			Date
	含MO6800系列			2022/07/11

KW40E-6



SIRUBA PARTS LIST	Series	Parts Group	Subclass Remark	Page
	700LQ	KX		1/1
				Date
				2021/03/25

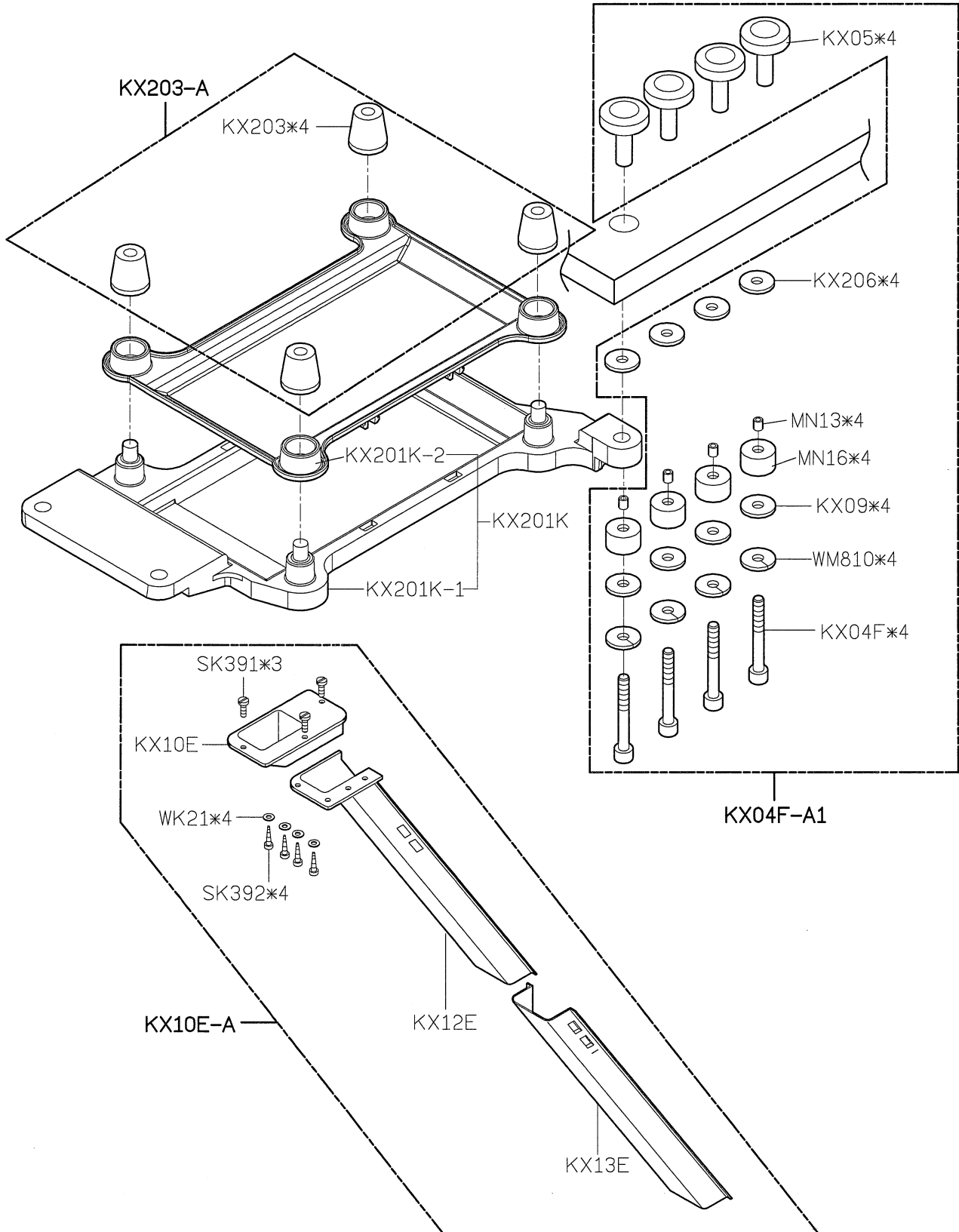
A

B

C

D

E



1

2

3

4

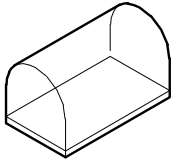
5

SIRUBA PARTS LIST	Series	Parts Group	Subclass Remark	Page
	700LQ	KY		1/1
				Date
				2022/06/23

A

KY01-1

防塵罩



KY203-A

油罐



KY03

油壺



KY04

漏斗



SK216

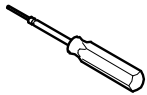
螺絲



B

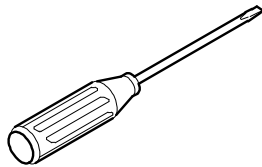
KY14

內六角螺絲起子



LY33

一字起子



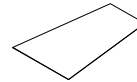
KY18

鑷子



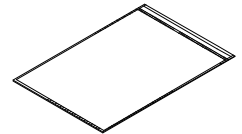
KY30

針板紙



KY201JK

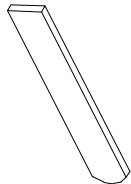
工具袋



C

KR35

下刀片



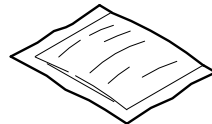
KT14-A

濾油器



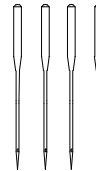
KZ03

乾燥濟



針*4

車針



KY21-A/MY21-A

鉤子/鍊條



D

E

1

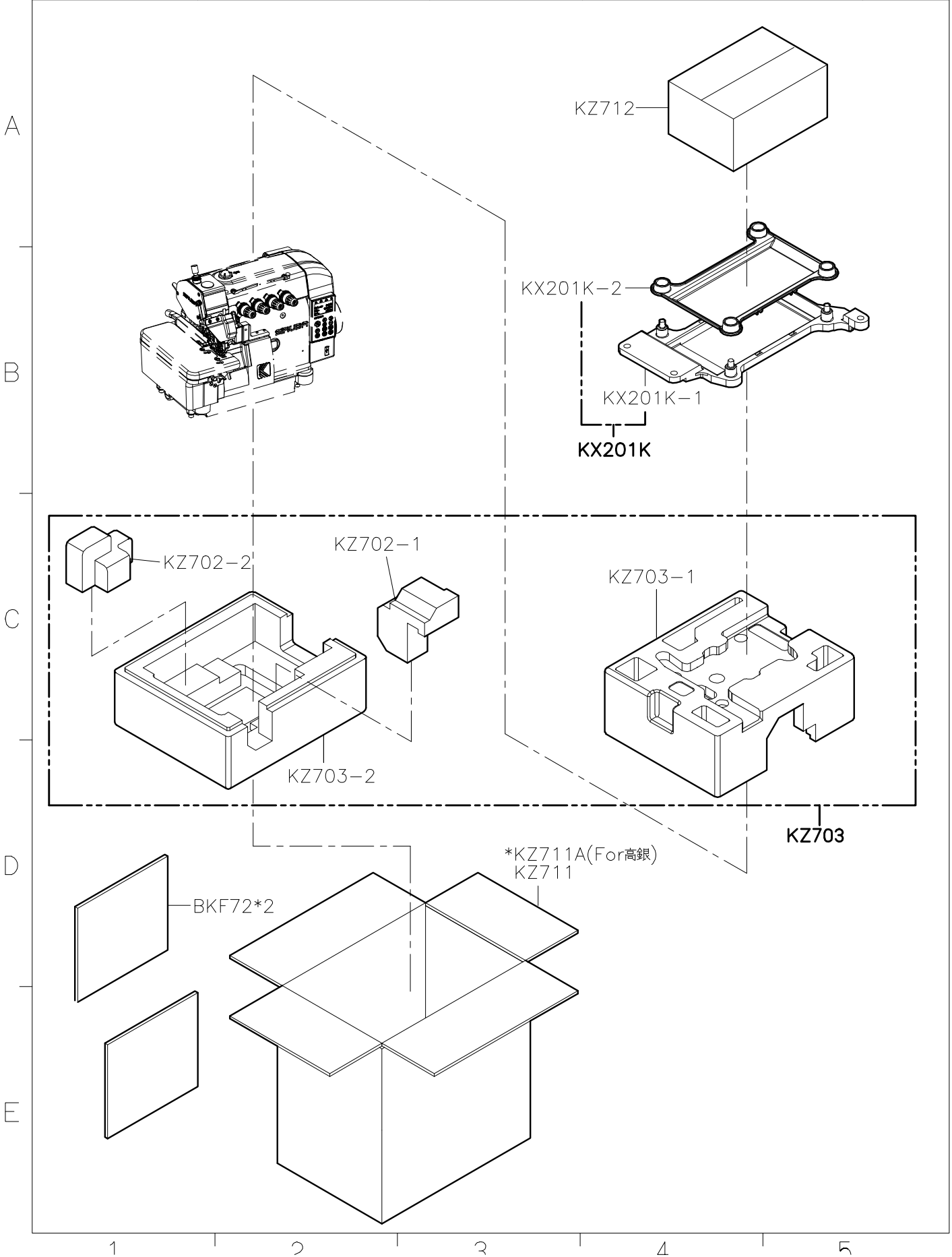
2

3

4

5

SIRUBA PARTS LIST	Series	Parts Group	Subclass / Remark	Page
	700LQ	KZ		1/1
				Date
				2022/06/10



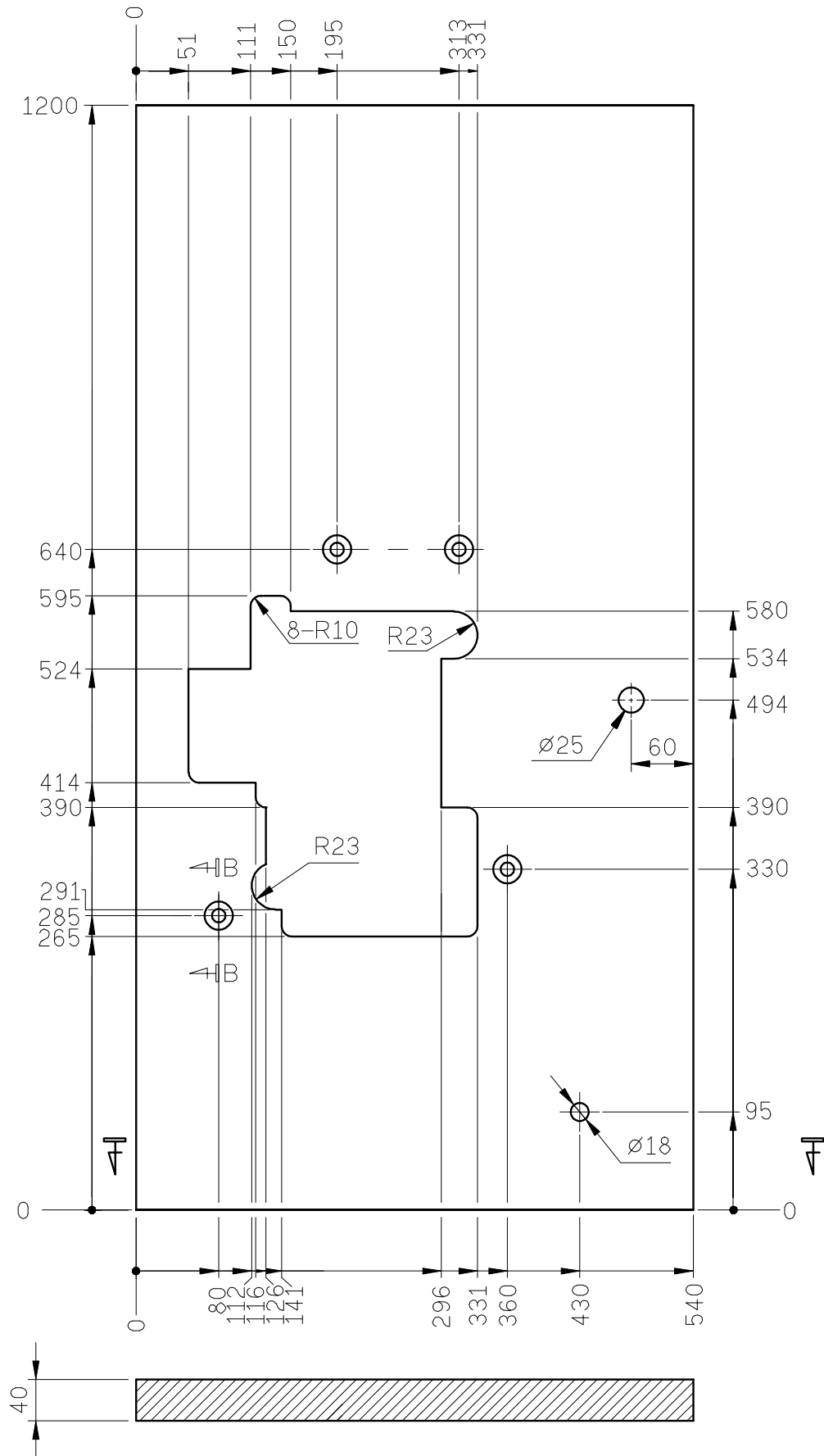
SIRUBA
TABLE
CUT - OUT

Series
700LQ
700LQT

Item Code
700LQ-T

Subclass Remark

Mounting
Semi-submerged
Date
2023/08/18



單位 / UNIT: mm
所有尺寸公差 / TOLERANCE: ± 2
重量 (W): 11.5 kg $\pm 5\%$

B-B SECTION

SIRUBA
TABLE
CUT - OUT

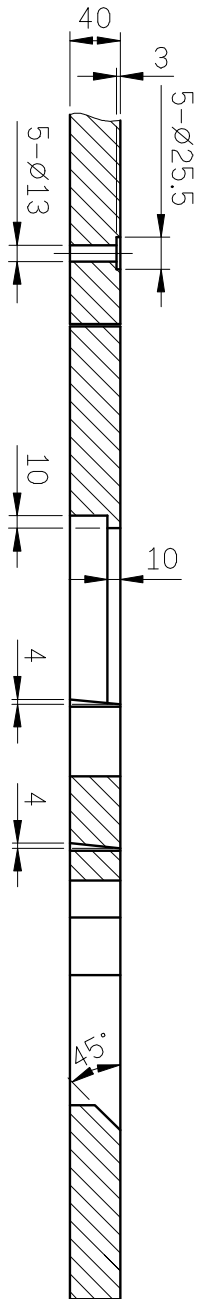
Series
700LQ
700LQT

Item Code
700LQ-T2

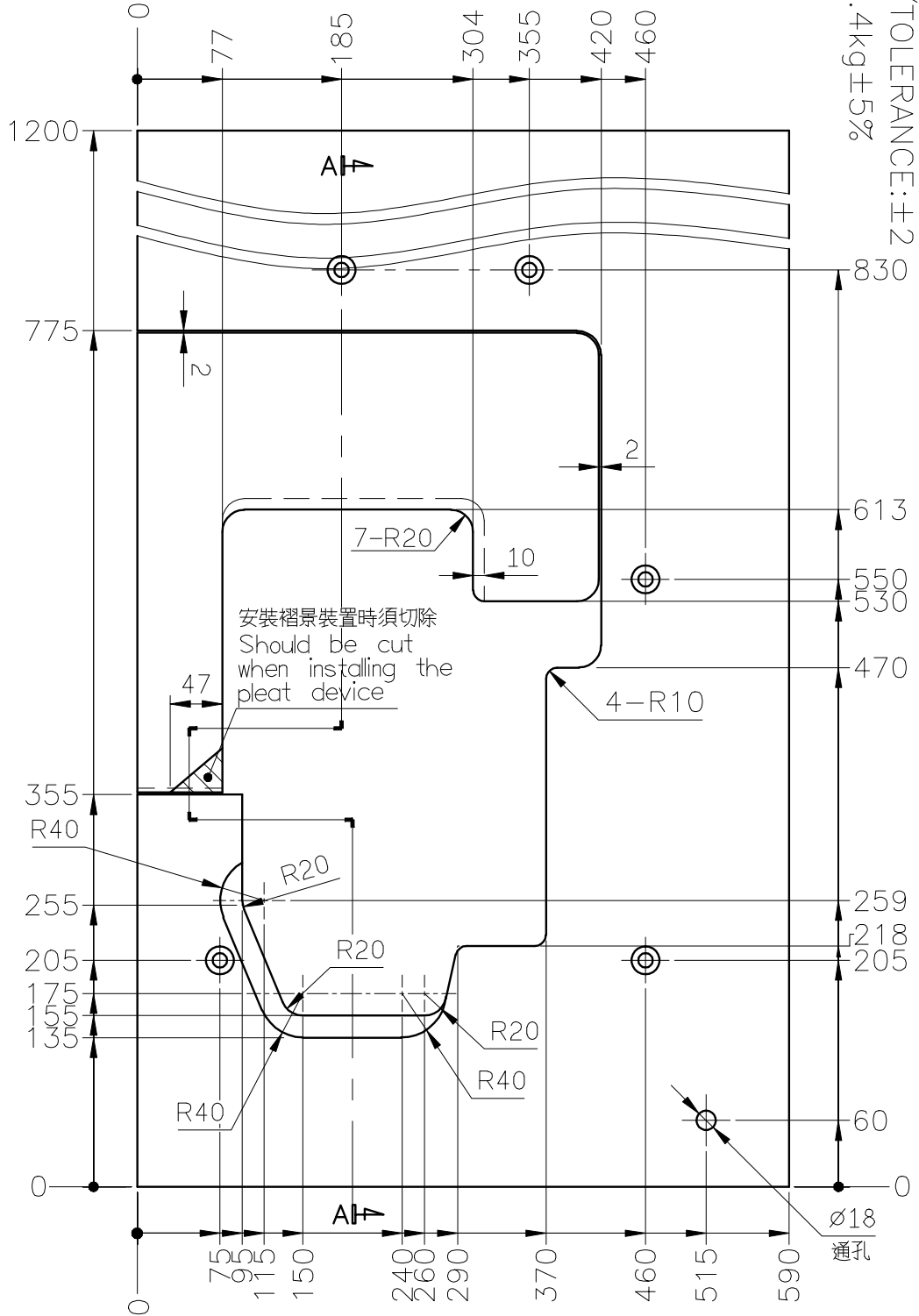
Subclass Remark
需配TBK-1 (包含TB201)
Collocate With TBK-1
(Including TB201)

Mounting
Fully-submerged
Date
2023/08/23

單位 / UNIT: mm
所有尺寸公差 / TOLERANCE: ±2
重量 (W): 12.4kg ±5%



A-A SECTION



通孔

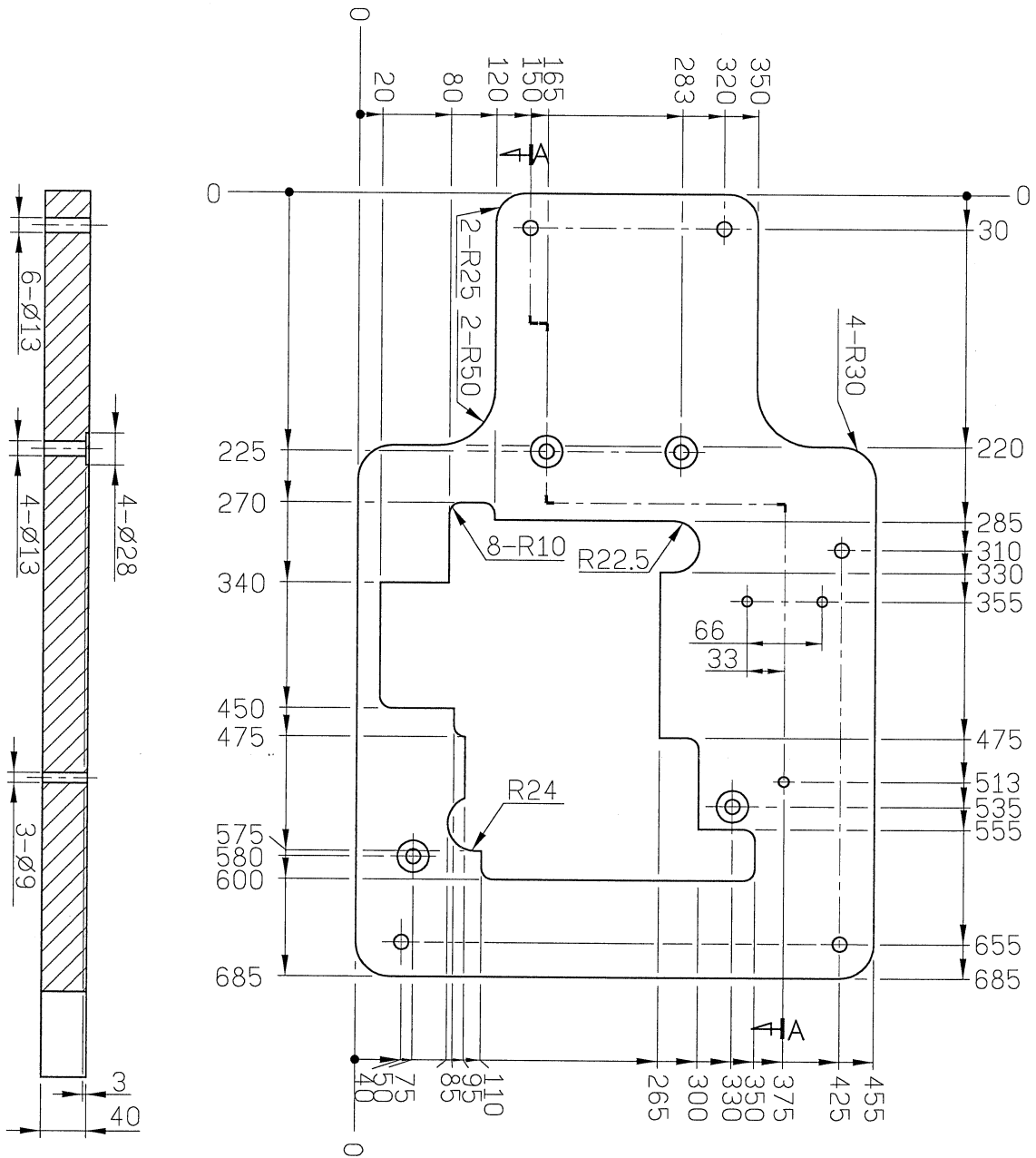
SIRUBA TABLE CUT - OUT	Series	Item Code	Subclass Remark	Mounting
	700K/988 700L	TB201		Fully-submerged Fixed Table
				Date
				2018/08/28

單位/UNIT:mm

所有尺寸公差/DIFFERENCE:±2

重量(W):4.25kg±5%

全封邊灰格紋光塑面台板/Plastic Table With All Sides Sealed With Gray Plaid



A-A SECTION