

# SIRUBA

## GAGE PARTS LIST

700Q

Series

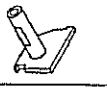
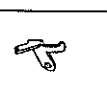
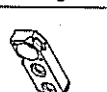
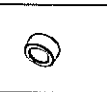
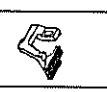
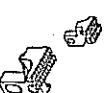
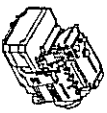
Remark

Page

Date

1 / 2

2012/12/25



機型  
Model

針板  
Needle  
Plate

送具  
Feed  
Dog

送具  
Feed  
Dog

押具  
Presser  
Foot

勾針  
Looper

針腳  
Needle  
Clamp

束環  
Collar

衝程  
Crank

衝程  
Crank

大心  
Crank  
Shaft

勾針連桿座  
Looper  
Holder

過線件  
Thread  
Guide

下刀架  
Lower  
Knife  
Holder

針  
Needle

737Q

503M2-04	E222	D210	D207	H204	P201-14A	LP231	KG231K-E	KJ204	KF203-E	KJ206-E	KD301	KJ236	KJ219	KR209	DCX27#1
504F1-04	E206	D201	D207	H201	P201-14A	LP225	KG231K-E	KJ204	KF203-E	KJ206-E	KD301	KJ236	KJ219	KR209	DCX27#9
504F1-15	E233K	D201	D217	H201	P214P-A	LP225	KG231K-E	KJ204	KF203-E	KJ206-E	KD301	KJ236	KJ219	KR209	DCX27#9
504F2-02/GAL-Q	E233K	D201	D217	H201	P214P-2A	LP225	KG231K-E	KJ204	KF203-E	KJ206-E	KD301	KJ236	KJ219	KR209	DCX27#9
504M1-15	E207	D201	D209	H201	P211-A	LP225	KG231K-E	KJ204	KF203-E	KJ206-E	KD301	KJ236	KJ219	KR209	DCX27#9
504M2-04	E222	D210	D207	H204	P201-14A	LP225	KG231K-E	KJ204	KF203-E	KJ206-E	KD301	KJ236	KJ219	KR209	DCX27#11
504M2-04/TR	E222	D210	D207	H204	P216-3	LP225	KG231K-E	KJ204	KF203-E	KJ206-E	KD301	KJ236	KJ219	KR209	DCX27#11
504M3-04	E220	D210	D209	H204	P201-14A	LP225	KG231K-E	KJ204	KF203-E	KJ206-E	KD301	KJ236	KJ219	KR209	DCX27#11
504M3-05	E221	D210	D209	H204	P201-14A	LP225	KG231K-E	KJ204	KF203-E	KJ206-E	KD301	KJ236	KJ219	KR209	DCX27#11
504M3-05/PZ	E221	D210	D209	H204	P257-A	LP225	KG231K-E	KJ204	KF203-E	KJ206-E	KD301	KJ236	KJ219	KR209	DCX27#11
504M5-04/BK	E232	D203	D207	H203	P202Q-2A	LP225	KG231K-E	KJ204	KF203-E	KJ206-E	KD301	KJ236	KJ219	KR209	DCX27#11
504M5-04/BK-1	E232	D203	D207	H203	P202Q-2A	LP225	KG231K-E	KJ204	KF203-E	KJ206-E	KD301	KJ236	KJ219	KR209	DCX27#11

747Q

505F1-04	E206	D201	D207	H201	P203-A	LP225	KG231K-E	KJ204	KF203-E	KJ206-E	KD301	KJ236	KJ219	KR209	DCX27#9
512M1-25	E208	D210	D207	H204	P201-A	LP228	KG242K-E	KJ204	KF215-E	KJ203-E	KD301	KJ208	KJ219	KR209	DCX27#11*
512M1-34	E236	D210	D207	H204	P214-A	LP228	KG242K-E	KJ204	KF215-E	KJ203-E	KD301	KJ208	KJ219	KR209	DCX27#14*
514F1-24	E212K	D210	D207	H204	P201-A	LP226	KG242K-E	KJ234K	KF203-E	KJ203-E	KD301	KJ208	KJ219	KR209	DCX27#11*
514H4-24/GA	E229	D202	D207	H202	P204-A	LP226	KG242K-E	KJ234K	KF203-E	KJ203-E	KD301	KJ208	KJ219	KR209	DCX27#11*
514H4-24/GAP	E229	D202	D207	H202	P204P-A	LP226	KG242K-E	KJ234K	KF203-E	KJ203-E	KD301	KJ208	KJ219	KR209	DCX27#11*
514M2-24	E229	D210	D207	H204	P201-A	LP226	KG242K-E	KJ234K	KF203-E	KJ203-E	KD301	KJ208	KJ219	KR209	DCX27#11*
514M2-24/TG	E229	D210	D207	H204	P254J-4A	LP226	KG242K-E	KJ234K	KF203-E	KJ203-E	KD301	KJ208	KJ219	KR209	DCX27#11*
514M2-25	E208	D210	D207	H204	P201-A	LP226	KG242K-E	KJ234K	KF203-E	KJ203-E	KD301	KJ208	KJ219	KR209	DCX27#11*
514M2-28	E230	D210	D207	H204	P201-8A	LP227A	KG242K-E	KJ204K	KF203-E	KJ203-E	KD301A	KJ228	KJ238	KR209	DCX27#11*
514M4-23	E209	D210	D207	H204	P201-2A	LP226	KG242K-E	KJ234K	KF203-E	KJ203-E	KD301	KJ208	KJ219	KR209	DCX27#11*
514M5-23/BK	E210	D203	D207	H203	P202Q-A	LP226	KG242K-E	KJ234K	KF203-E	KJ203-E	KD301	KJ208	KJ219	KR209	DCX27#11*
514M5-23/BK-1	E210	D203	D207	H203	P202Q-A	LP226	KG242K-E	KJ234K	KF203-E	KJ203-E	KD301	KJ208	KJ219	KR209	DCX27#11*
514M5-23/BKS	E210Q	D203	D207	H203	P202Q-A	LP226	KG242K-E	KJ234K	KF203-E	KJ203-E	KD301	KJ208	KJ219	BK309	DCX27#11*
514M7-24	E226	D212	D207	H210	P201-A	LP230	KG242K-E	KJ204K	KF203-E	KJ203-E	KD301A	KJ228	KJ238	KR209	DCX27#16*

# SIRUBA

## GAGE PARTS LIST

700Q

Series

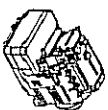
Remark

Page

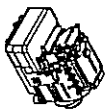
Date

2 / 2

2012/10/04



機型 Model	針板 Needle Plate	送具 Feed Dog	送具 Feed Dog	押具 Presser Foot	勾針 Looper	針釧 Needle Clamp	葉環 Collar	衝程 Crank	衝程 Crank	大心 Crank Shaft	勾針迴轉座 Upper Looper Holder	過線件 Thread Guide	下刀架 Lower Knife Holder	針 Needle
747Q	514M7-24/BK	E247	D203	H203	P202Q-A	KG242K-E	KJ204K	KF203-E	KJ203-E	KD301A	KJ228	KJ238	KR209	DCX27#16*2
	514M7-24/BK-1	E247	D203	H203	P202Q-A	KG242K-E	KJ204K	KF203-E	KJ203-E	KD301A	KJ228	KJ238	BK309	DCX27#16*2
	514M7-24/BKS	E247Q	D203	H203	P202Q-A	KG242K-E	KJ204K	KF203-E	KJ203-E	KD301A	KJ228	KJ238	BK309	DCX27#16*2
	514M7-24/TG	E226	D212	H210	P254J-4A	KG242K-E	KJ204K	KF203-E	KJ203-E	KD301A	KJ228	KJ238	KR209	DCX27#16*2
	514M7-25	E225	D212	H210	P201-A	KG242K-E	KJ204K	KF203-E	KJ203-E	KD301A	KJ228	KJ238	KR209	DCX27#16*2
	514M7-25/BK	E248	D203	H203	P202Q-A	KG242K-E	KJ204K	KF203-E	KJ203-E	KD301A	KJ228	KJ238	KR209	DCX27#16*2
	514M7-25/BK-1	E248	D203	H203	P202Q-A	KG242K-E	KJ204K	KF203-E	KJ203-E	KD301A	KJ228	KJ238	BK309	DCX27#16*2
	514M7-25/BKS	E248Q	D203	H203	P202Q-A	KG242K-E	KJ204K	KF203-E	KJ203-E	KD301A	KJ228	KJ238	BK309	DCX27#16*2
	401M1/TW	E237	D219	H219	P506-A	KG253K-E	KJ204	KF203-E	KJ206-E	KD301	TW201			DCX27#14
	516H4-35/GA	E213	D204	H205	P508J-A	KG253K-E	KJ204	KF203-E	KJ206-E	KD301	KJ236	KJ219	KR219	DCX27#14*2
757Q	516H4-35/GAP	E213	D204	H205	P508J-A	KG253K-E	KJ204	KF203-E	KJ206-E	KD301	KJ236	KJ219	KR219	DCX27#14*2
	516H4-55/GA	E214	D205	H206	P509J-A	KG255K-E	KJ204	KF203-E	KJ206-E	KD301	KJ236	KJ219	KR219	DCX27#14*2
	516H4-55/GAP	E214	D205	H206	P509J-A	KG255K-E	KJ204	KF203-E	KJ206-E	KD301	KJ236	KJ219	KR219	DCX27#14*2
	516L1-24	E215	D206	H207	P500J-A	KG252K-E	KJ204	KF203-E	KJ206-E	KD301	KJ236	KJ219	KR219	DCX27#14*2
	516L1-35	E216	D206	H212	P504J-A	KG253K-E	KJ204	KF203-E	KJ206-E	KD301	KJ236	KJ219	KR219	DCX27#14*2
	516M2-35	E217	D208	H208	P504J-A	KG253K-E	KJ204	KF203-E	KJ206-E	KD301	KJ236	KJ219	KR219	DCX27#14*2
	516M2-35/PS	E227	D208	H214	P504J-A	KG253K-E	KJ204	KF203-E	KJ206-E	KD301	KJ236	KJ219	KR219	DCX27#14*2
	516M2-55	E218	D208	H209	P502J-A	KG255K-E	KJ204	KF203-E	KJ206-E	KD301	KJ236	KJ219	KR219	DCX27#14*2
	516M2-55/PS	E228	D208	H215	P502J-A	KG255K-E	KJ204	KF203-E	KJ206-E	KD301	KJ236	KJ219	KR219	DCX27#14*2
	516X2-56	E234	D216A	H220A	P962-A	KG255K-E	KJ234K	KF203-E	KJ206-E	KD301A	KJ236	KJ238	KR223	DCX27#18*2
767Q	401M2-50/TA	E238	D211	H216	P223-A	KG256K-E	KJ204	KF203-E	KJ206-E	KD301	TW201			DCX27#14*2
	516M2-324	E219	D208	H209	P233J-A	KG433K-E	KJ234K	KF203-E	KJ203-E	KD301	KJ208	KJ219	KR219	DCX27#11*5
	516M2-524	E224	D208	H209	P255J-A	KG455K-E	KJ234K	KF203-E	KJ203-E	KD301	KJ208	KJ219	KR219	DCX27#11*5



機型 Model	針板 Needle Plate	送具 Feed Dog	送具 Feed Dog	押具 Presser Foot	勾針 Looper	針盤 Needle Clamp	束環 Collar	衝程 Crank	衝程 Crank	大心 Crank Shaft	勾針連桿座 Upper Holder	通線件 Thread Guide	下刀架 Lower Knit Holder	針 Needle
503M2-04	E222	D210	H204	P201-14A	LP231	KG231K-E	KJ204	KF203-E	KJ206-E	KD301	KJ236	KJ219	KR209	DCX27#11
504F1-04	E206	D201	H201	P201-14A	LP225	KG231K-E	KJ204	KF203-E	KJ206-E	KD301	KJ236	KJ219	KR209	DCX27#9
504F1-15	E233K	D201	H201	P214P-A	LP225	KG231K-E	KJ204	KF203-E	KJ206-E	KD301	KJ236	KJ219	KR209	DCX27#9
504F2-02/GAL-Q	E233K	D201	H201	P214P-2A	LP225	KG231K-E	KJ204	KF203-E	KJ206-E	KD301	KJ236	KJ219	KR209	DCX27#9
504M1-15	E207	D201	H201	P211-A	LP225	KG231K-E	KJ204	KF203-E	KJ206-E	KD301	KJ236	KJ219	KR209	DCX27#9
504M2-04	E222	D210	H204	P201-14A	LP225	KG231K-E	KJ204	KF203-E	KJ206-E	KD301	KJ236	KJ219	KR209	DCX27#11
504M2-04/TR	E222	D210	H204	P216-3	LP225	KG231K-E	KJ204	KF203-E	KJ206-E	KD301	KJ236	KJ219	KR209	DCX27#11
504M3-04	E220	D210	H204	P201-14A	LP225	KG231K-E	KJ204	KF203-E	KJ206-E	KD301	KJ236	KJ219	KR209	DCX27#11
504M3-05	E221	D210	H204	P201-14A	LP225	KG231K-E	KJ204	KF203-E	KJ206-E	KD301	KJ236	KJ219	KR209	DCX27#11
504M3-05/PZ	E221	D210	H204	P257-A	LP225	KG231K-E	KJ204	KF203-E	KJ206-E	KD301	KJ236	KJ219	KR209	DCX27#18
504M5-04/BK	E232	D203	H203	P202Q-2A	LP225	KG231K-E	KJ204	KF203-E	KJ206-E	KD301	KJ236	KJ219	KR209	DCX27#11
504M5-04/BK-1	E232	D203	H203	P202Q-2A	LP225	KG231K-E	KJ204	KF203-E	KJ206-E	KD301	KJ236	KJ219	BR239	DCX27#11
505F1-04	E206	D201	H201	P203-A	LP225	KG231K-E	KJ204	KF203-E	KJ206-E	KD301	KJ236	KJ219	KR209	DCX27#9
512M1-25	E208	D210	H204	P201-A	LP228	KG242K-E	KJ204	KF215-E	KJ203-E	KD301	KJ208	KJ219	KR209	DCX27#11*2
512M1-34	E236	D210	H204	P214-A	LP228	KG254K-E	KJ204	KF215-E	KJ203-E	KD301	KJ208	KJ219	KR209	DCX27#14*2
514F1-24	E212K	D210	H204	P201-A	LP226	KG242K-E	KJ234K	KF203-E	KJ203-E	KD301	KJ208	KJ219	KR209	DCX27#11*2
514H4-24/GA	E229	D202	H202	P204-A	LP226	KG242K-E	KJ234K	KF203-E	KJ203-E	KD301	KJ208	KJ219	KR209	DCX27#11*2
514H4-24/GAP	E229	D202	H202	P204P-A	LP226	KG242K-E	KJ234K	KF203-E	KJ203-E	KD301	KJ208	KJ219	KR209	DCX27#11*2
514M2-24	E229	D210	H204	P201-A	LP226	KG242K-E	KJ234K	KF203-E	KJ203-E	KD301	KJ208	KJ219	KR209	DCX27#11*2
514M2-24/TG	E229	D210	H204	P254J-4A	LP226	KG242K-E	KJ234K	KF203-E	KJ203-E	KD301	KJ208	KJ219	KR209	DCX27#11*2
514M2-25	E208	D210	H204	P201-A	LP226	KG242K-E	KJ234K	KF203-E	KJ203-E	KD301	KJ208	KJ219	KR209	DCX27#11*2
514M2-28	E230	D210	H204	P201-8A	LP227A	KG242K-E	KJ204K	KF203-E	KJ203-E	KD301A	KJ228	KJ238	KR209	DCX27#11*2
514M4-23	E209	D210	H204	P201-2A	LP226	KG242K-E	KJ234K	KF203-E	KJ203-E	KD301	KJ208	KJ219	KR209	DCX27#11*2
514M5-23/BK	E210	D203	H203	P202Q-A	LP226	KG242K-E	KJ234K	KF203-E	KJ203-E	KD301	KJ208	KJ219	KR209	DCX27#11*2
514M5-23/BK-1	E210	D203	H203	P202Q-A	LP226	KG242K-E	KJ234K	KF203-E	KJ203-E	KD301	KJ208	KJ219	BR239	DCX27#11*2
514M5-23/BKS	E210Q	D203	H203	P202Q-A	LP226	KG242K-E	KJ234K	KF203-E	KJ203-E	KD301	KJ208	KJ219	BR239	DCX27#11*2
514M7-24	E226	D212	H210	P201-A	LP230	KG242K-E	KJ204K	KF203-E	KJ203-E	KD301A	KJ228	KJ238	KR209	DCX27#16*2



**SIRUBA**

PARTS LIST

Series

700Q/988Q

Parts Group

**KA**

Subclass / Remark

Page

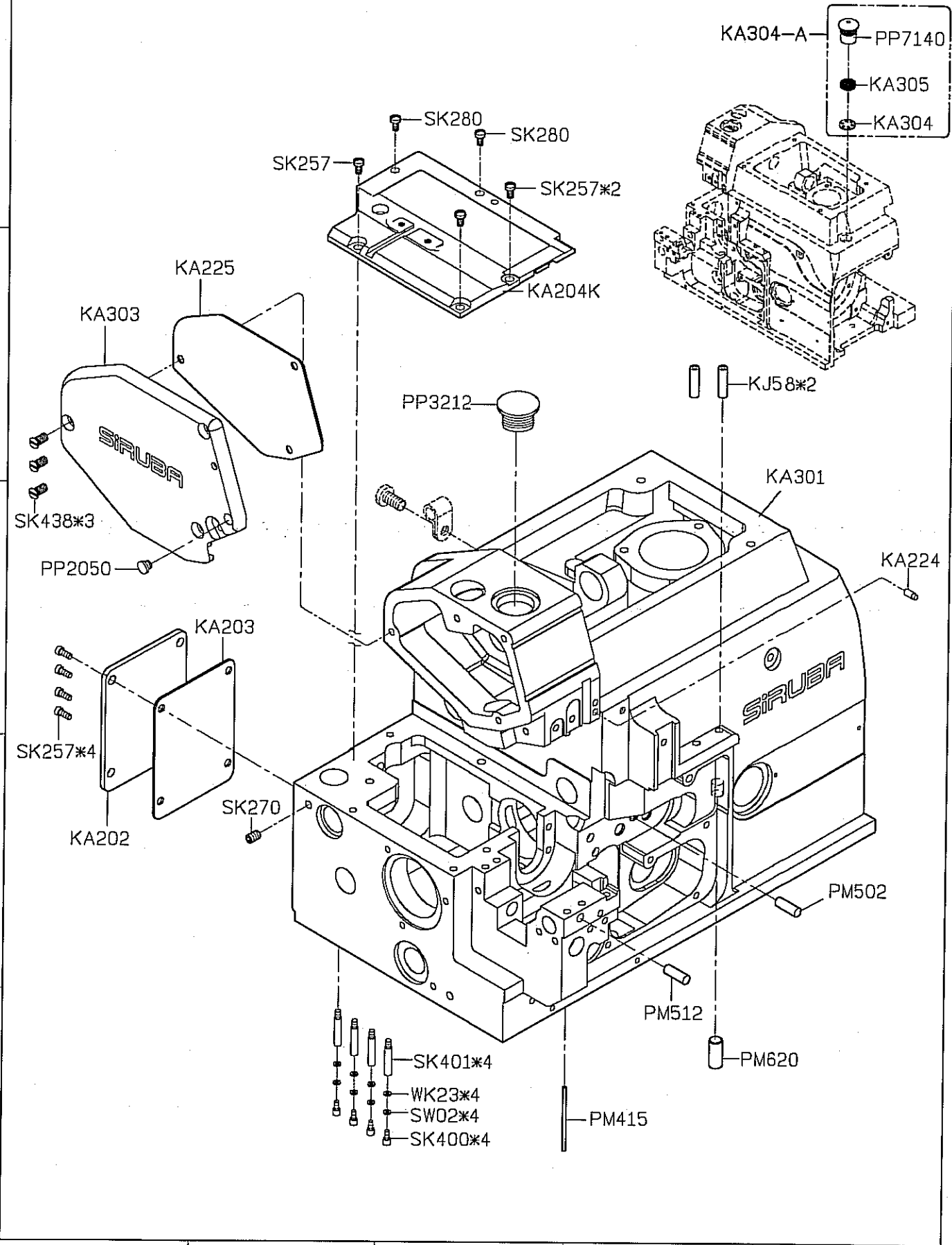
1/1

Date

2014/06/09

A  
B  
C  
D  
E

- KA304-A
- PP7140
- KA305
- KA304



1 2 3 4 5

SIRUBA PARTS LIST	Series	Parts Group	Subclass / Remark	Page
	700Q/988Q	KB		1/1
				Date
				2012/08/29

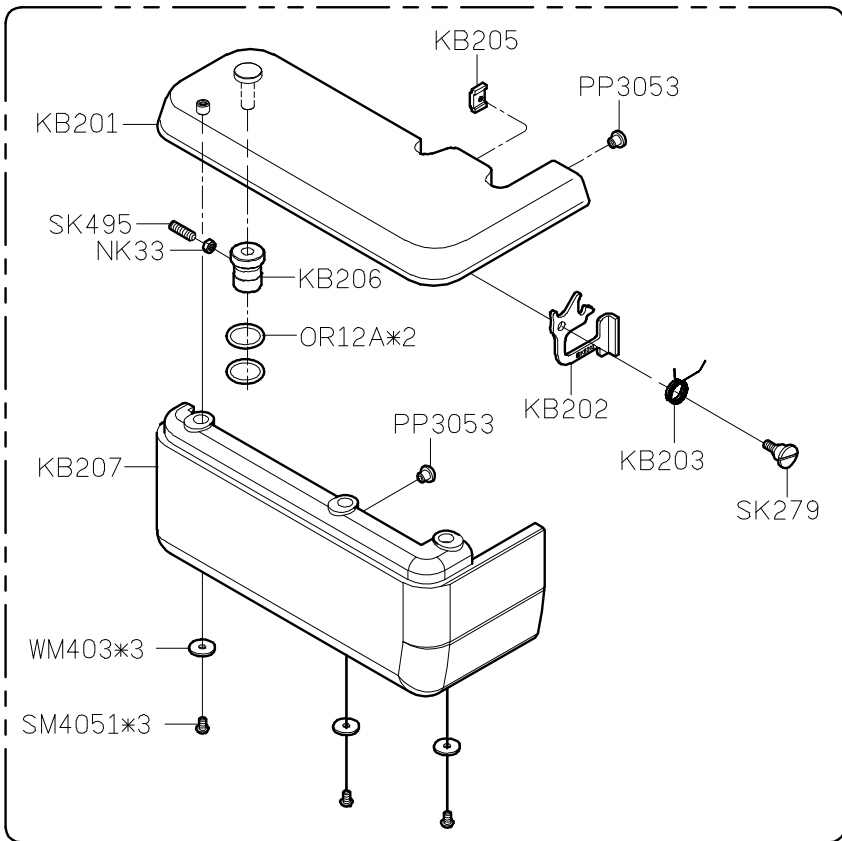
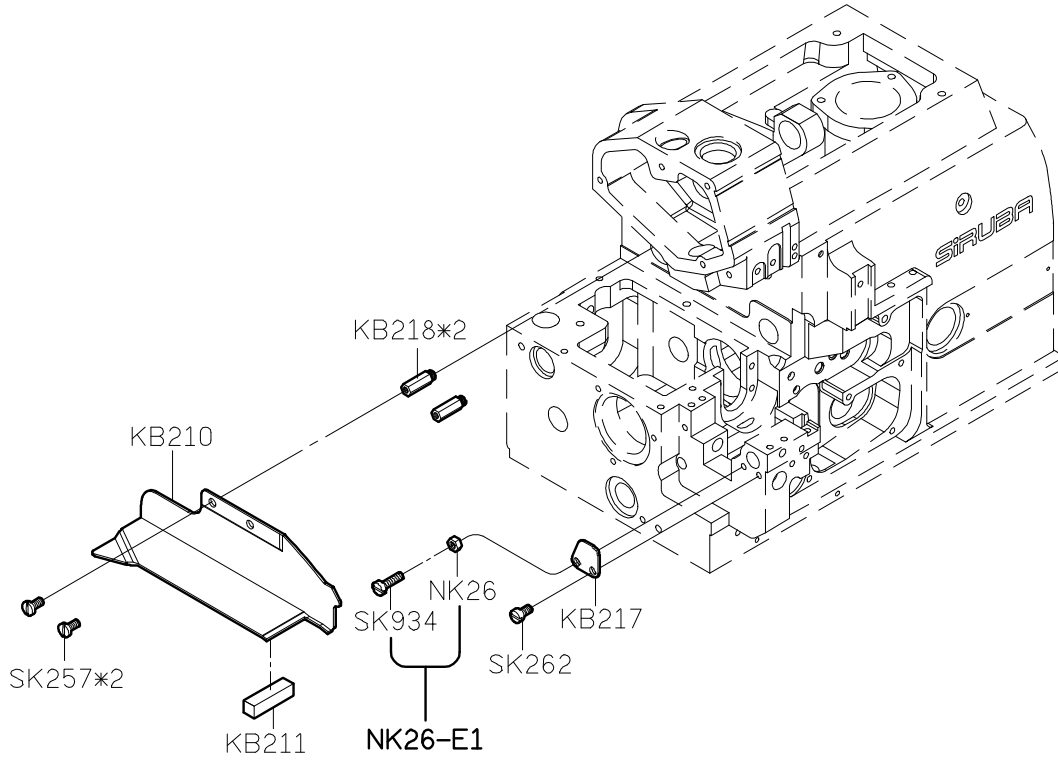
A

B

C

D

E



1

2

3

4

5

**SIRUBA**  
**PARTS LIST**

**Series**  
**700Q/988Q**

**Parts Group**  
**KC**

**Subclass / Remark**

**Page**

1/1

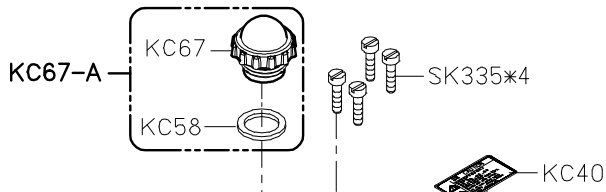
Date

2012/11/01

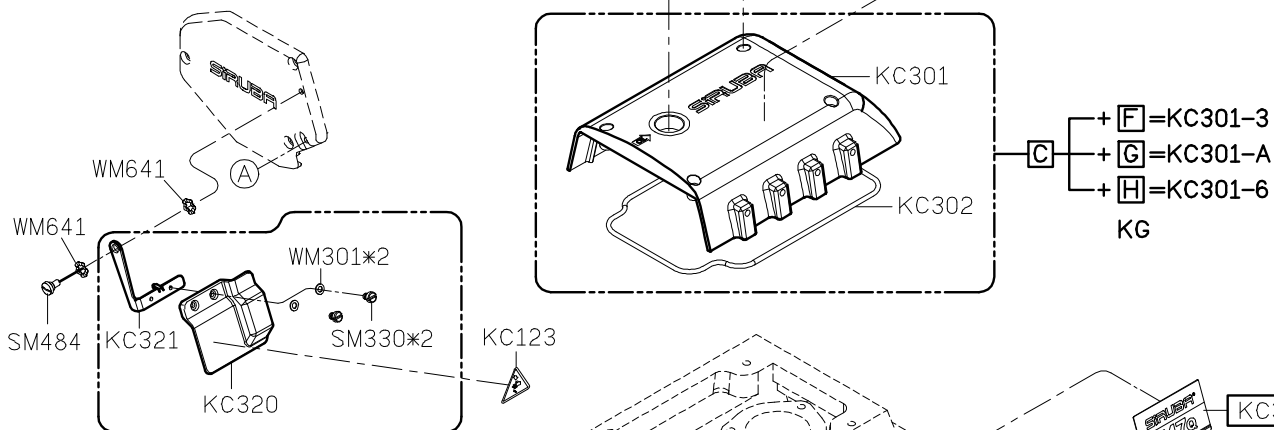
MODEL	#3/#4	#5/#6
PARTS NO	KC209	KC219
	KC303-A	KC303-A1

MODEL	700Q	988Q
PARTS NO	KC309	KC309C

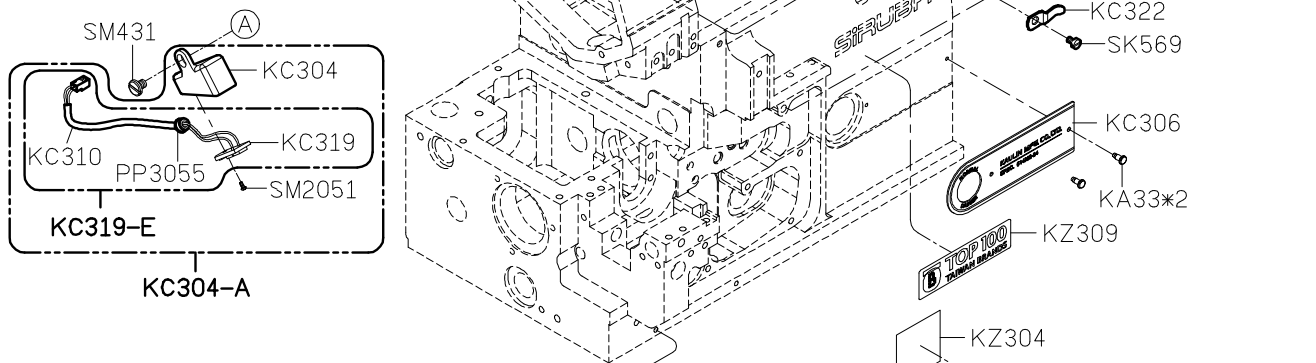
A



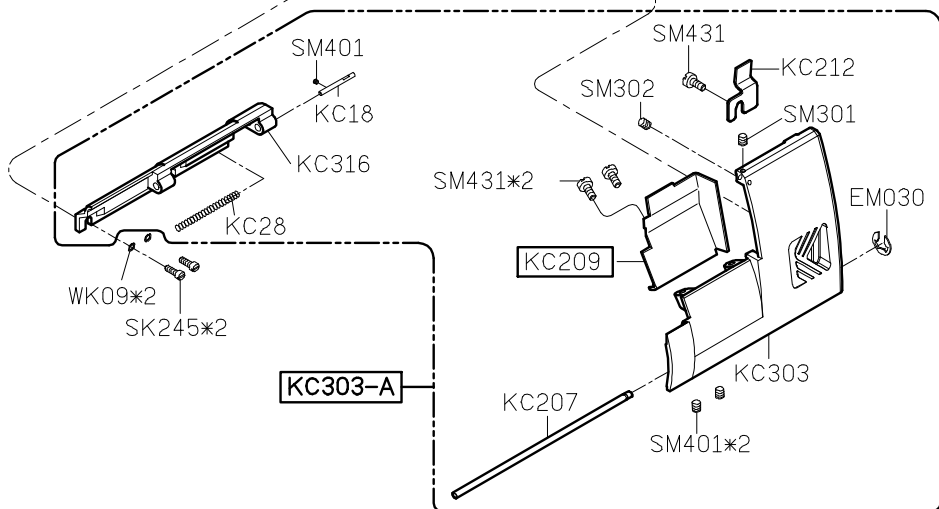
B



C



D



E

1

2

3

4

5

**SIRUBA**

PARTS LIST

Series

700Q/988Q

Parts Group

**KD**

Subclass / Remark

Page

1/3

Date

2014/06/26

MODEL	#3/#4	#5/#6
	KD204	KD217
PARTS NO	SM603B	KD220
	SK241*3	SK539*2
		SK872*1

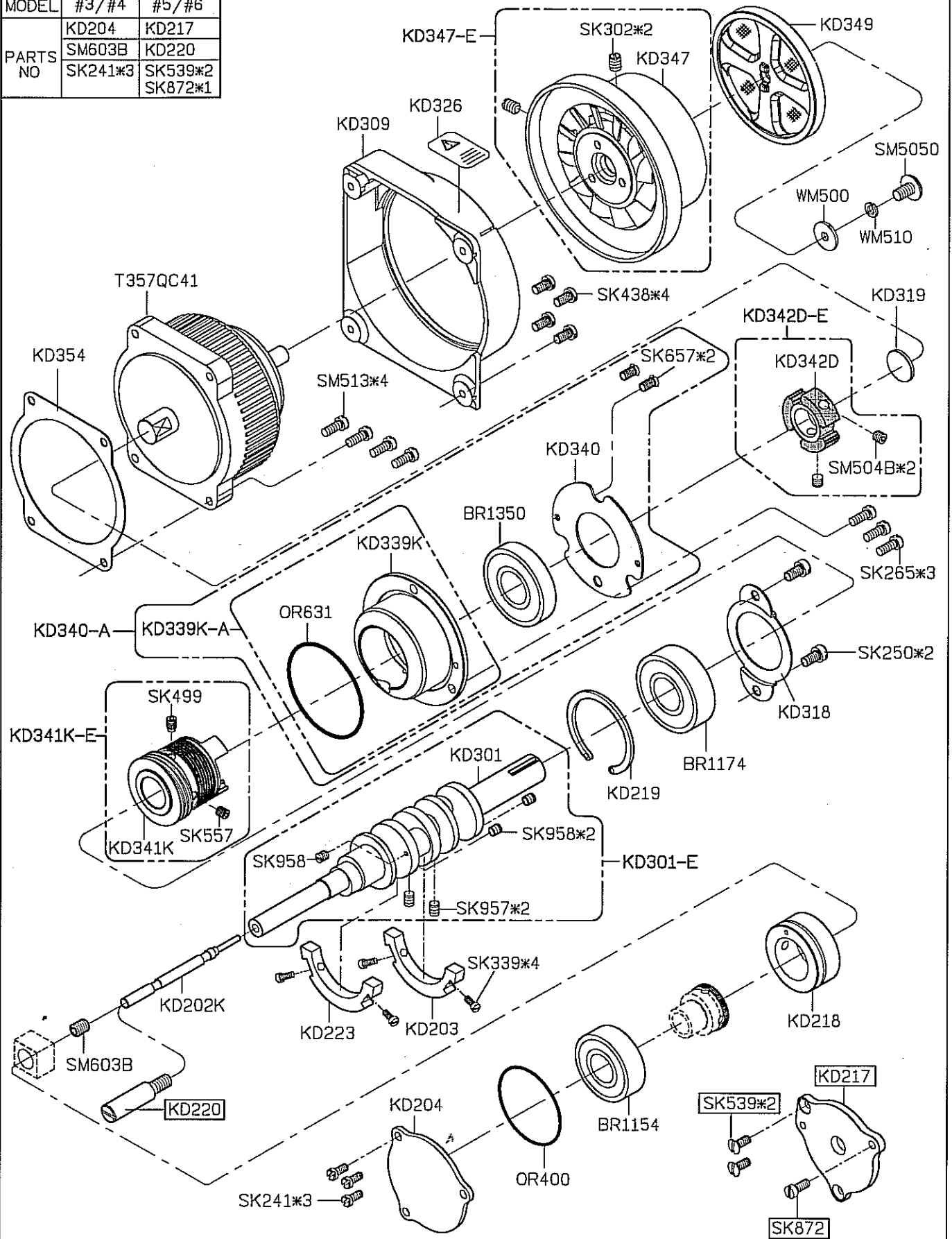
A

B

C

D

E



1

2

3

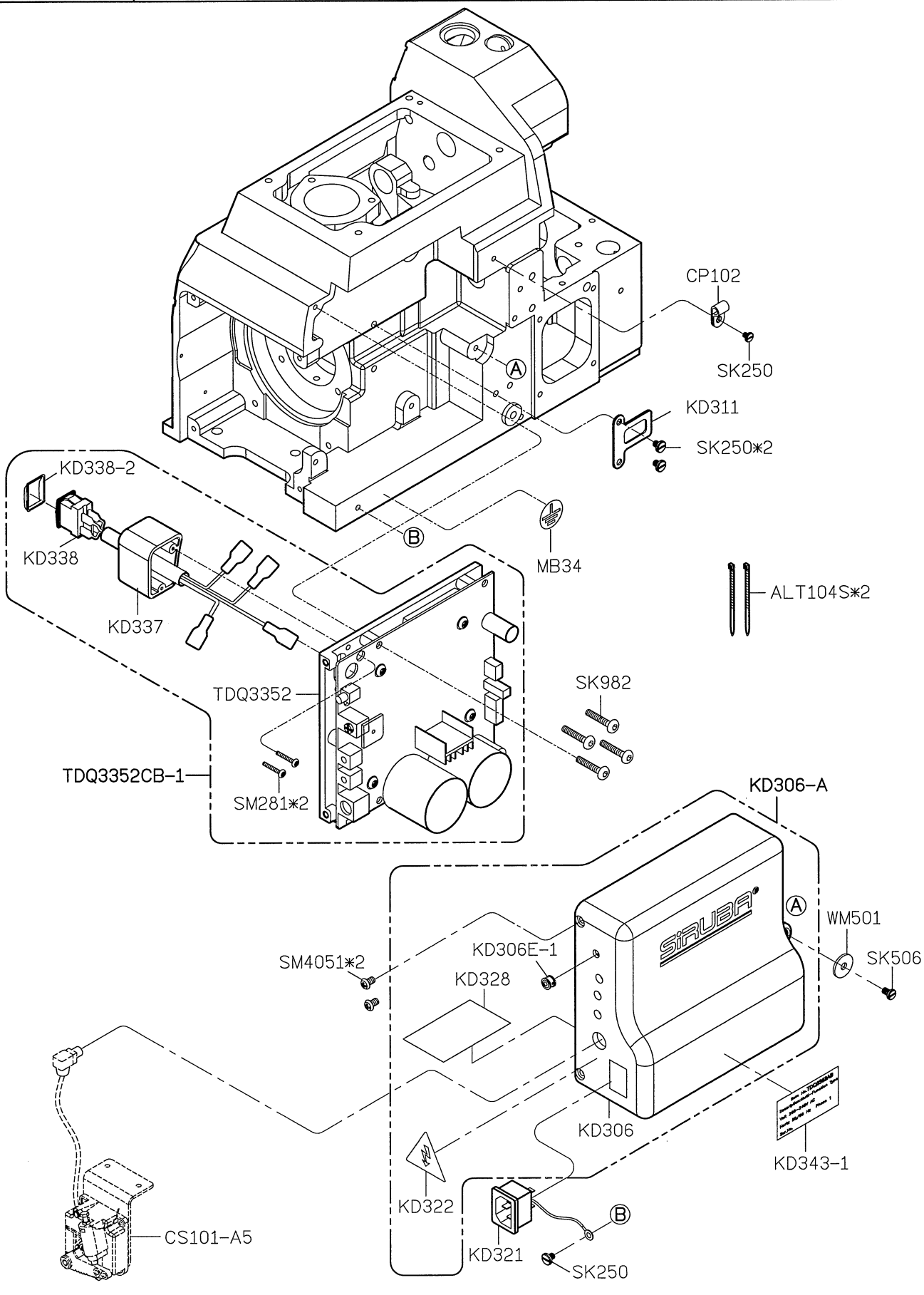
4

5



SIRUBA PARTS LIST	Series	Parts Group	Subclass / Remark	Page
	700Q/988Q	KD		2/3
				Date
				2014/07/11

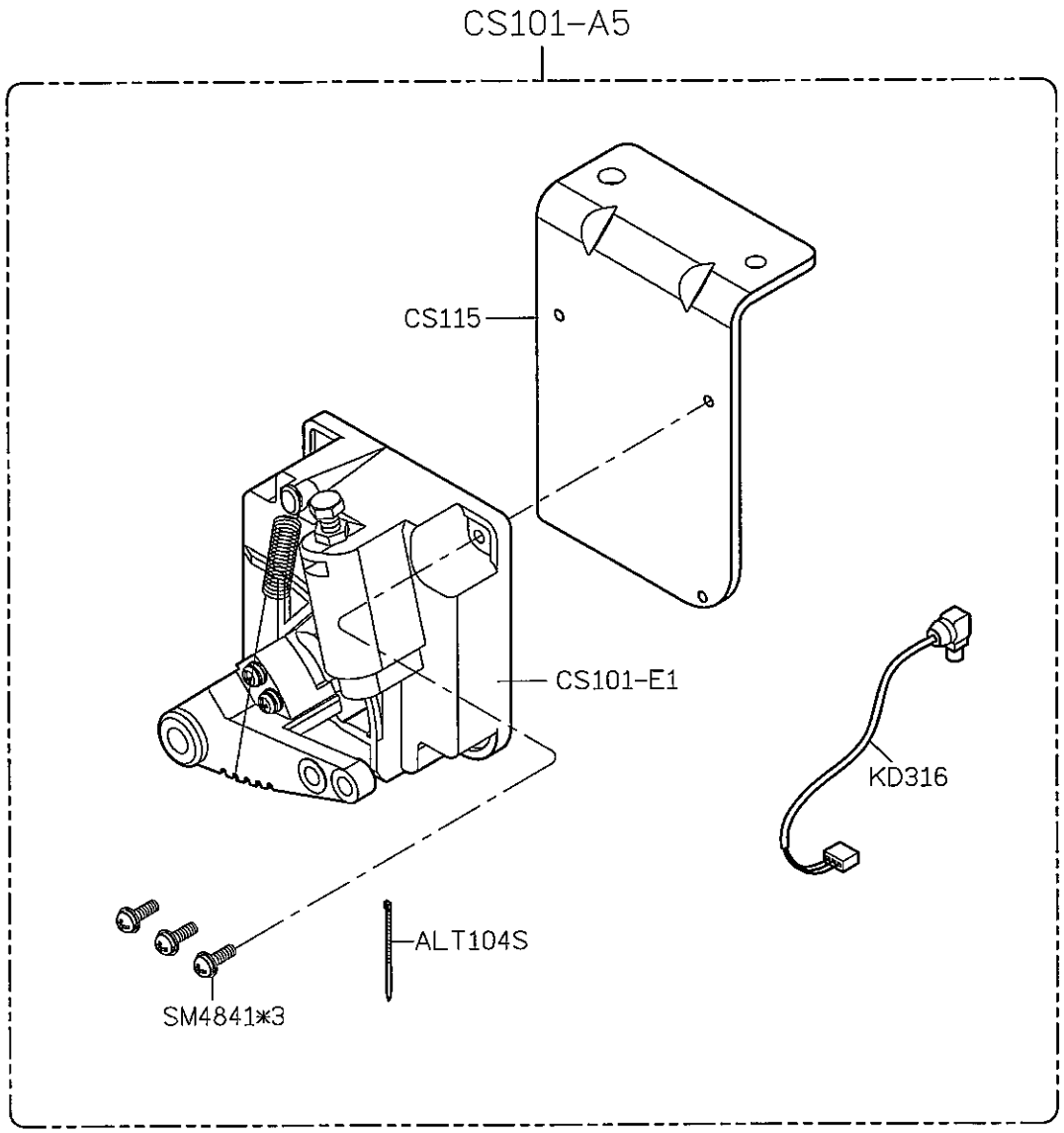
A  
B  
C  
D  
E

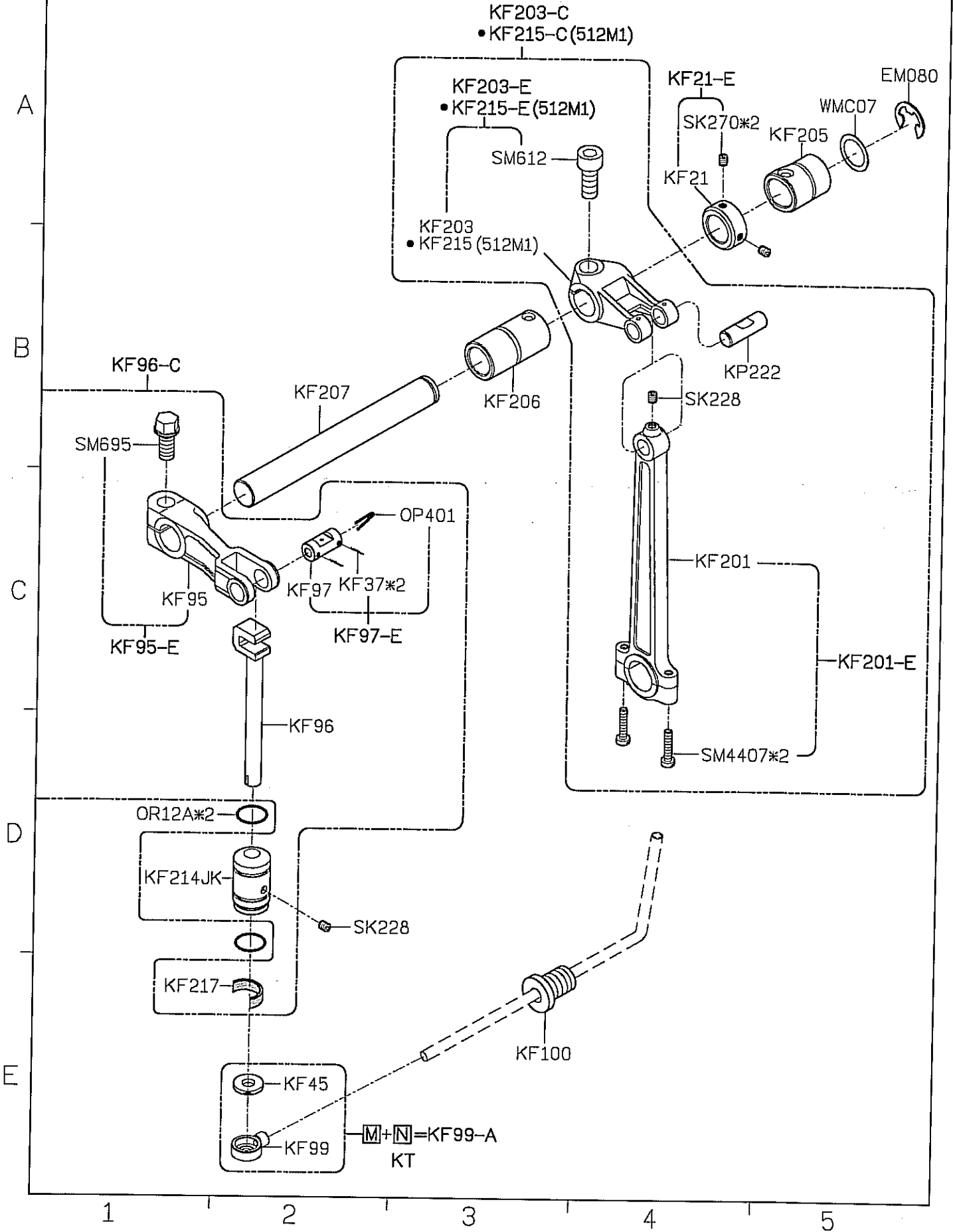


1 2 3 4 5

SIRUBA PARTS LIST	Series	Parts Group	Subclass / Remark	Page
	700Q/988Q	KD		3/3
				Date
				2013/08/15

A  
B  
C  
D  
E

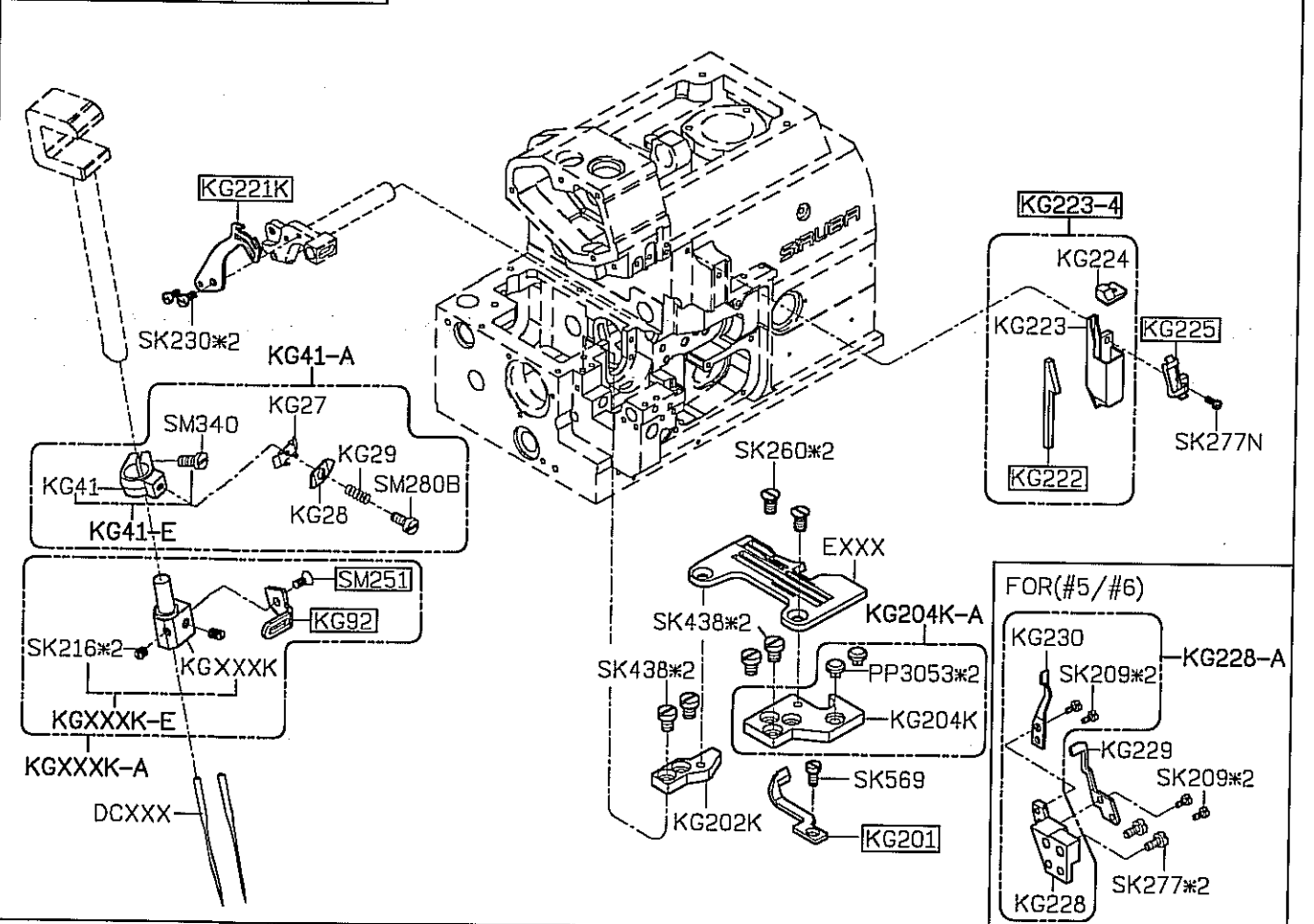




<b>SIRUBA</b> PARTS LIST	Series	Parts Group	Subclass / Remark	Page
	700Q/988Q	KG		1/1
				Date
				2014/09/05

MODEL	#3	#4	#5	#6	FOR(#3/#4)	FOR(#5/#6)
	KG262	KG211K	KG262	KG211K		
	KG248	KG213K	KG239	KG246		
	KG250K	KG221K	KG243K	KG251K		
	KG222	KG222	KG245	KG245		
	KG225	KG225	KG261	KG261		
	KG201	KG201	KG244	KG244		
	KG93	KG92	KG94	KG94		
	SK216	SK216	SK216*2	SK216*2		
	SK250N	SK250N	SK250N*2	SK250N*2		
	SK437N	SK437N	SK437	SK437		
	SM251	SM251	SM250	SM250		
	KG212-3	KG212-4	KG241-5	KG241-6		
	KG223-4	KG223-4	KG223-5	KG223-5		

A

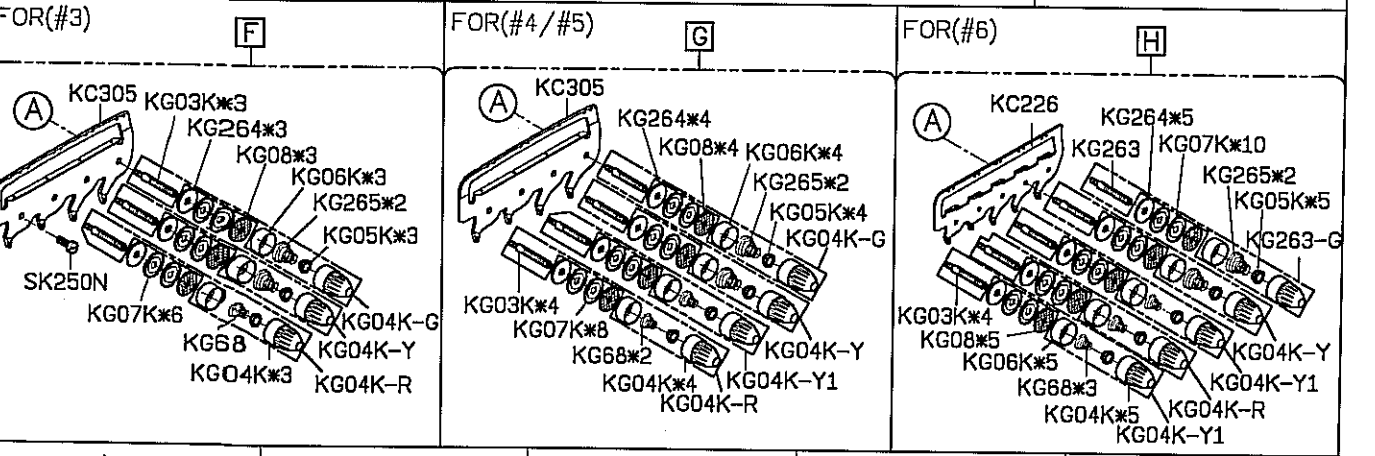


B

C

D

E



1

2

3

4

5

<b>SIRUBA</b> PARTS LIST	Series	Parts Group	Subclass / Remark	Page
	700Q/988Q	<b>KJ</b>		1/1
				Date
				2013/03/12

MODEL	#3/#5	#4/#6	#4 M7/M8/M2-28
PARTS NO	KJ204	KJ234K	KJ204K
	KJ206	KJ203	KJ203
	KJ206-E	KJ203-E	KJ203-E
	KJ206-C	KJ203-C	KJ203-C
	KJ236	KJ208	KJ228
	KJ236-C	KJ208-C	KJ228-C
	KJ219		KJ238

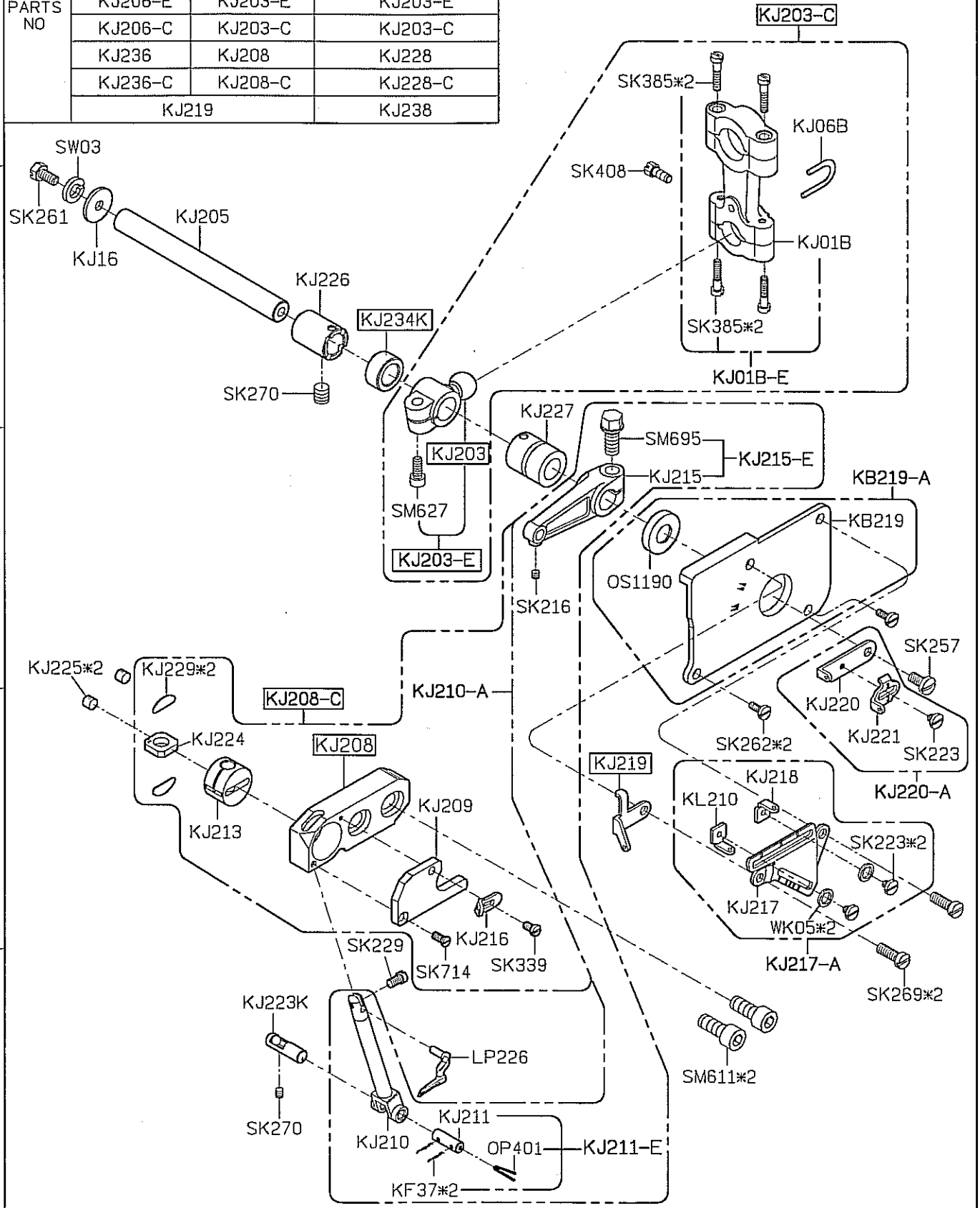
A

B

C

D

E



1

2

3

4

5

**SIRUBA**

PARTS LIST

Series

700Q/988Q

Parts Group

**KL**

Subclass / Remark

Page

1/1

Date

2014/04/21

MODEL	#3/#4	#5/#6	M7
PARTS NO	KL202		KL202A
	KL211-A		KL211-A1
	KL205	KL209	
		SK270	
	KL205-E	KL209-E	
	KL205-C	KL209-C	

KL KL KM

**P**+**R**+**S**=KL209-C

KL KL

**P**+**Q**=KL205-C

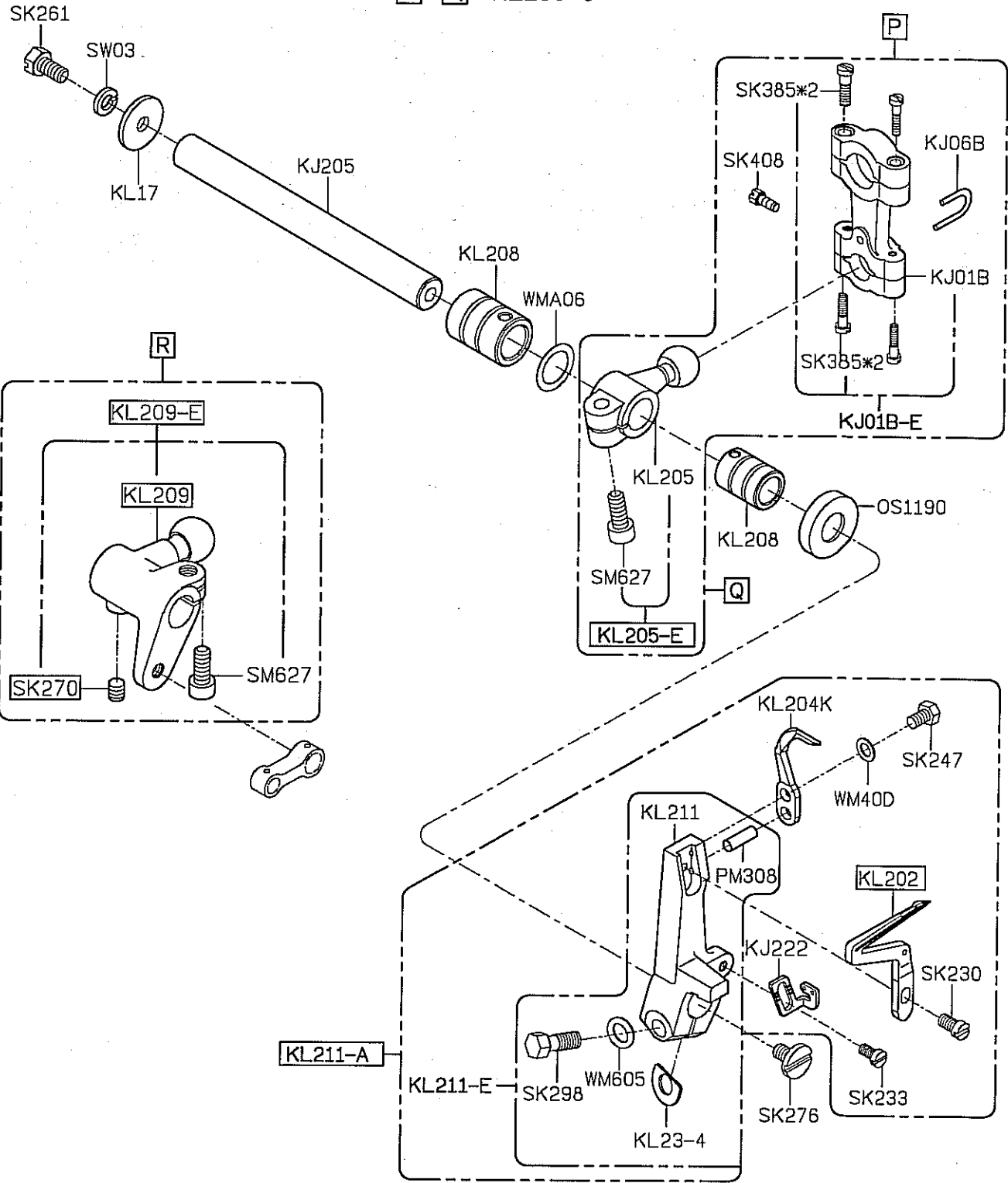
A

B

C

D

E



1

2

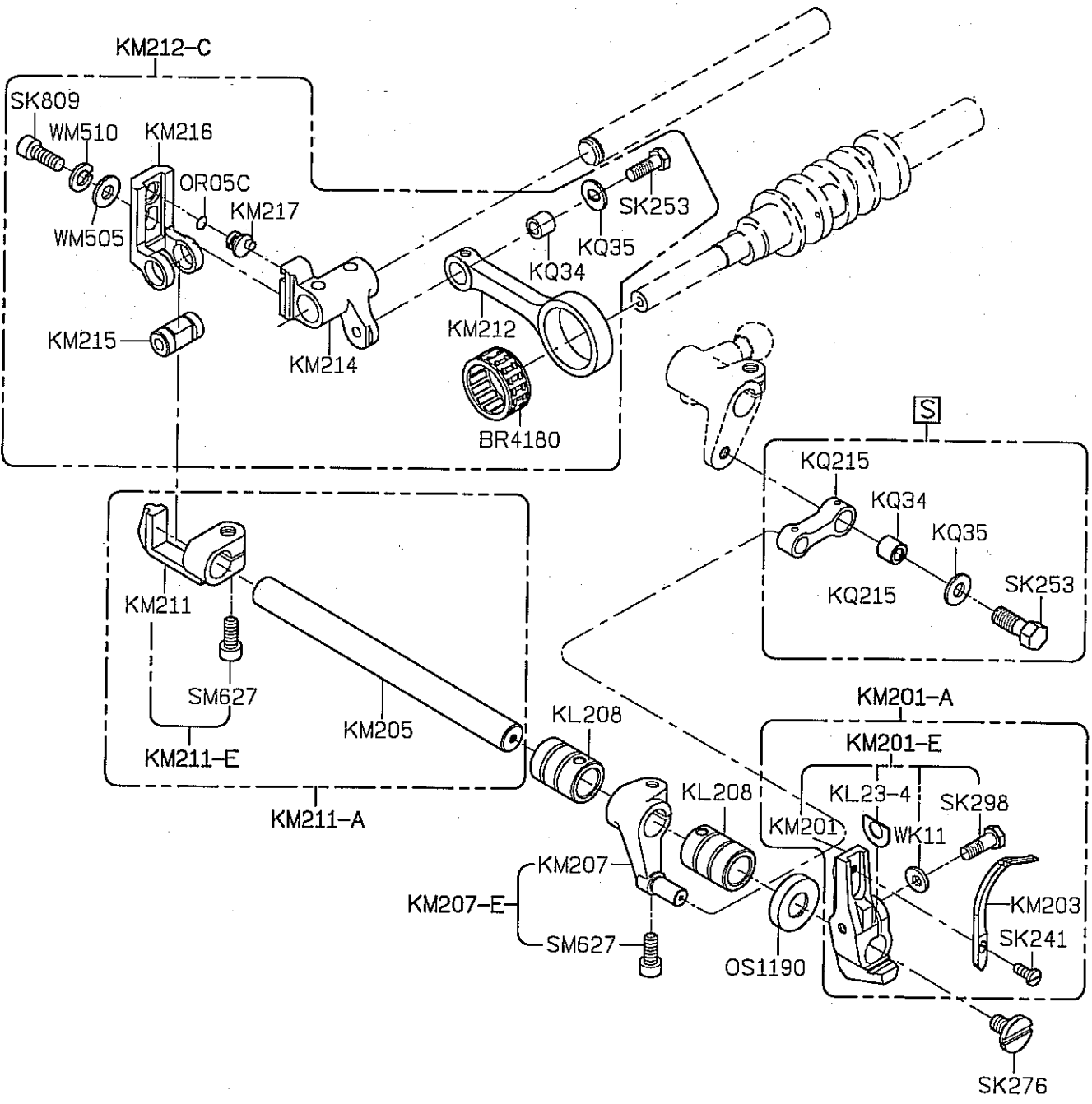
3

4

5

KM KL KL  
[S]+[R]+[P]=KL209-C

A  
B  
C  
D  
E



**SIRUBA**

**PARTS LIST**

**Series**

**700Q/988Q**

**Parts Group**

**KN**

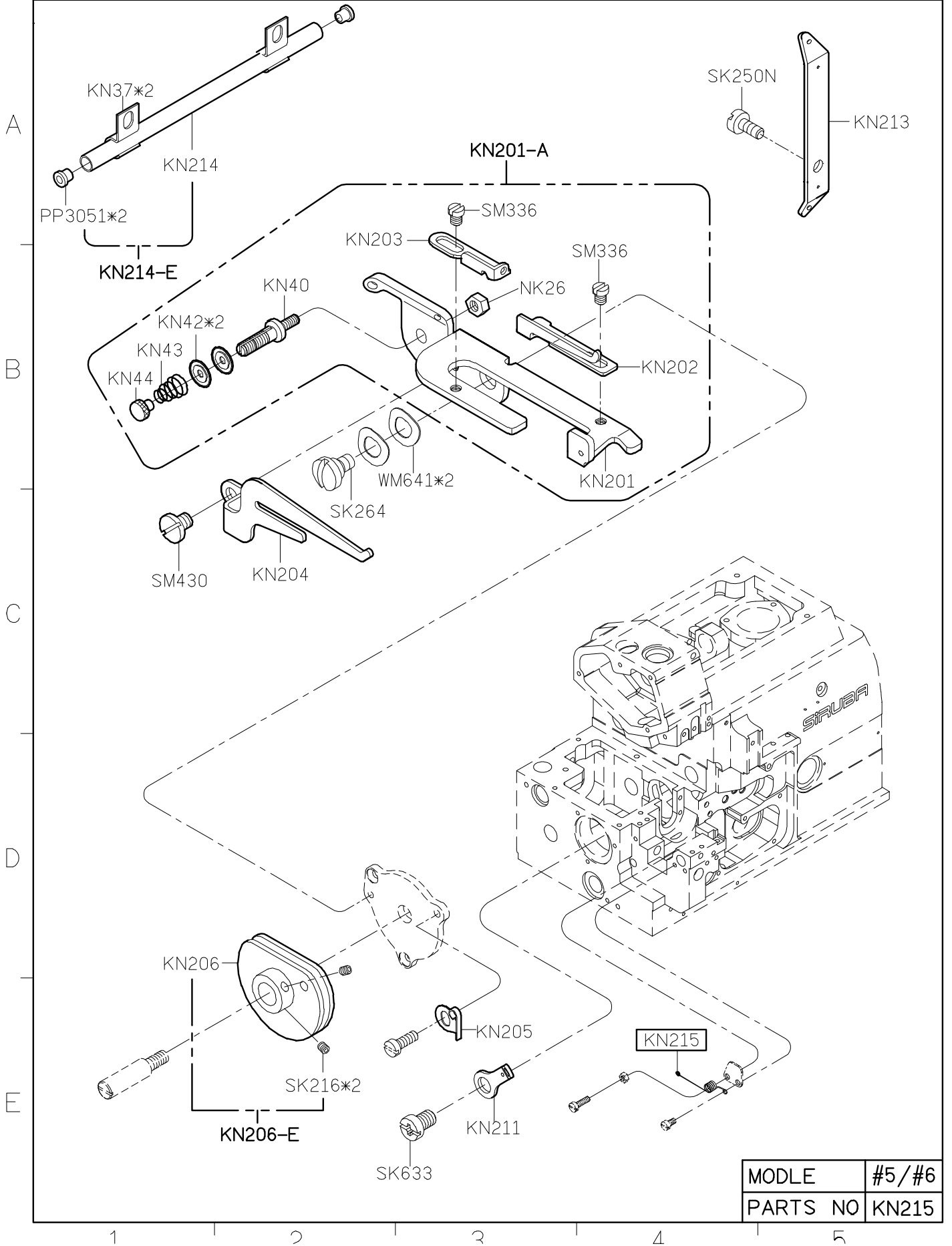
**Subclass / Remark**

**Page**

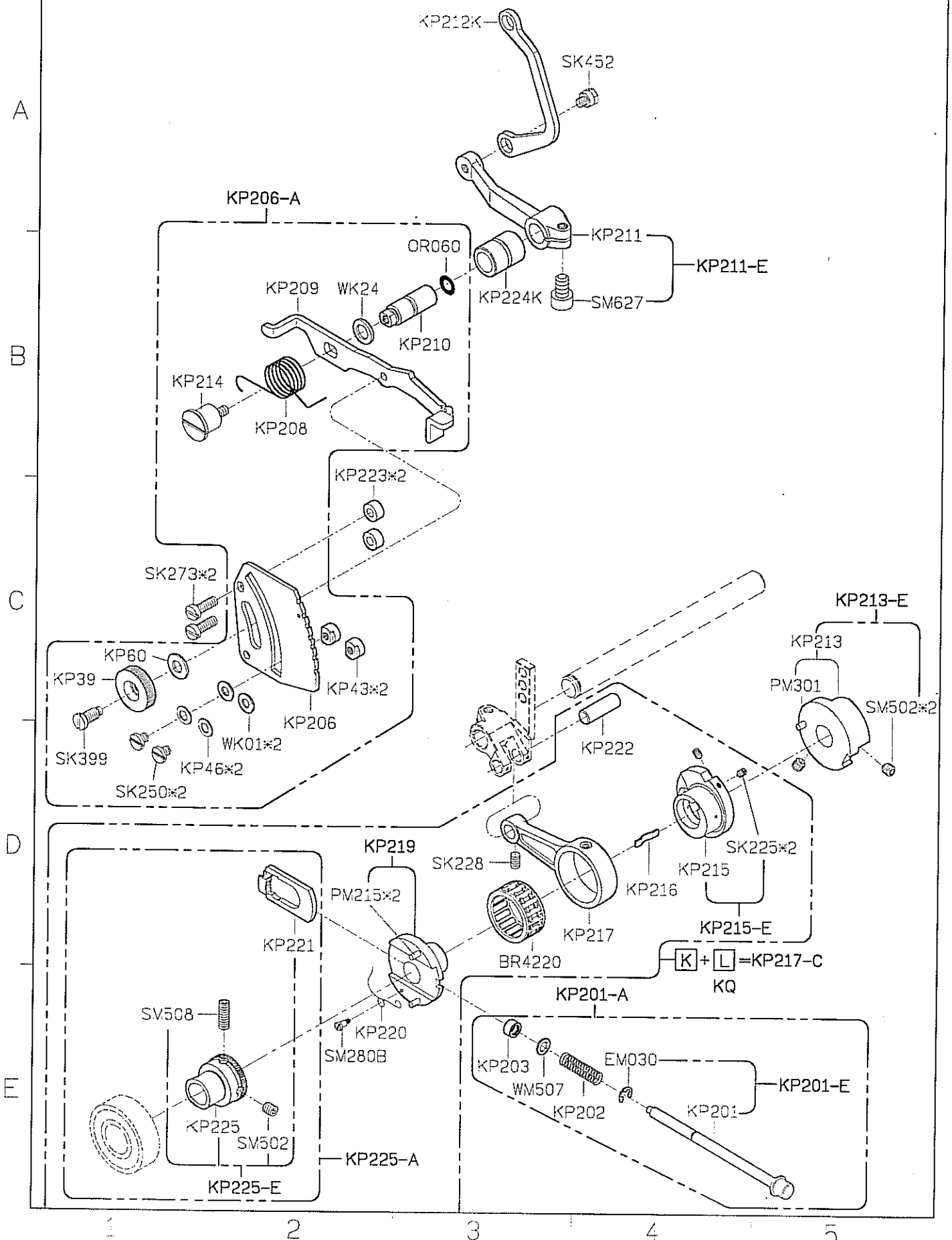
**1/1**

**Date**

**2012/10/04**







**SIRUBA**

PARTS LIST

Series

700Q/988Q

Parts Group

**KQ**

Subclass / Remark

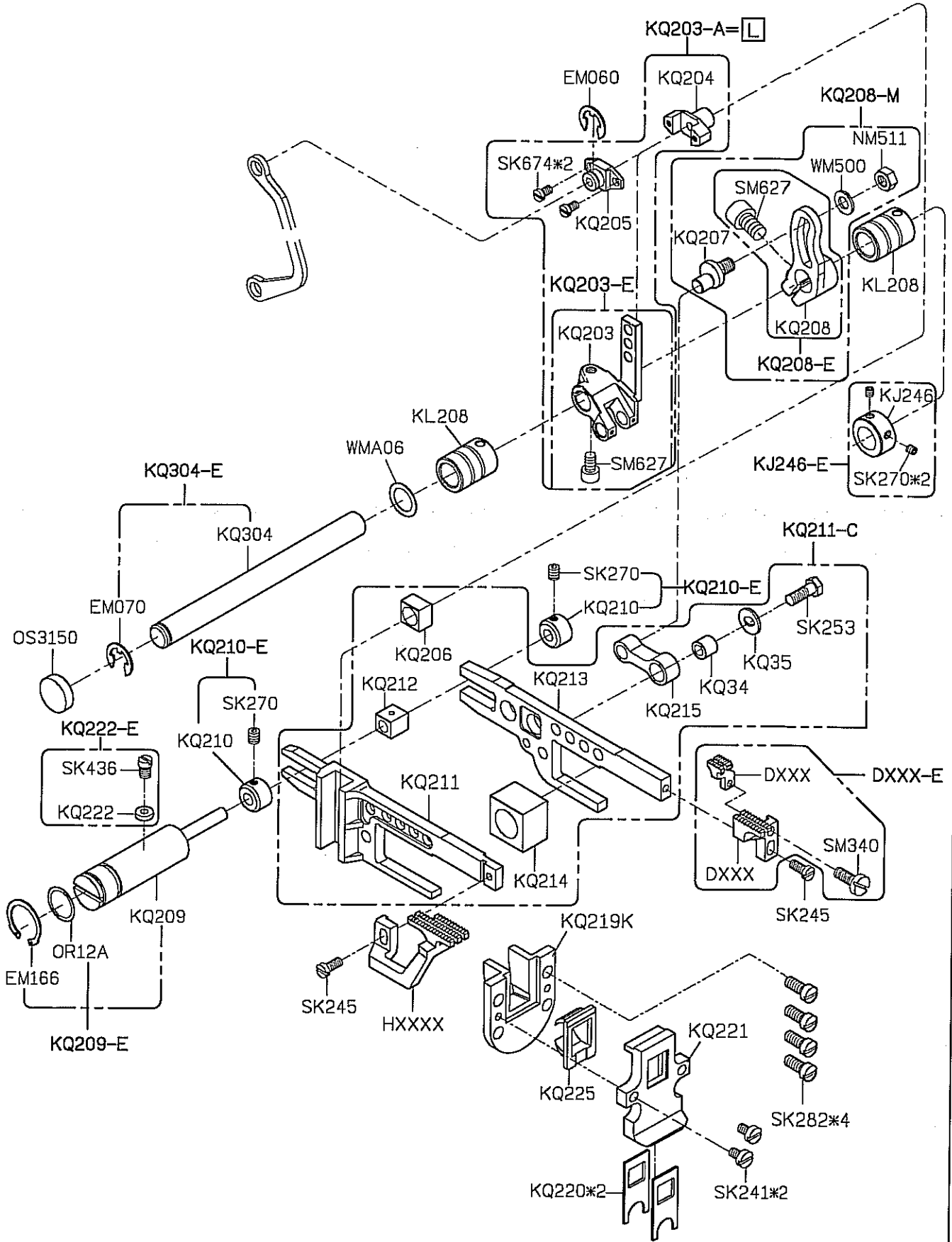
Page

1/1

Date

2014/09/04

A  
B  
C  
D  
E



1 2 3 4 5

**SIRUBA****PARTS LIST****Series****700Q/988Q****Parts Group****KR****Subclass / Remark****Page**

1/1

**Date**

2012/08/30

MODEL	#3/#4	#5/#6
PARTS NO	KR202	KR218
	KR202-E	KR218-E
	KR206	KR221
	KR206-A	KR221-A
	KR209	KR219
	KR209-A	KR219-A

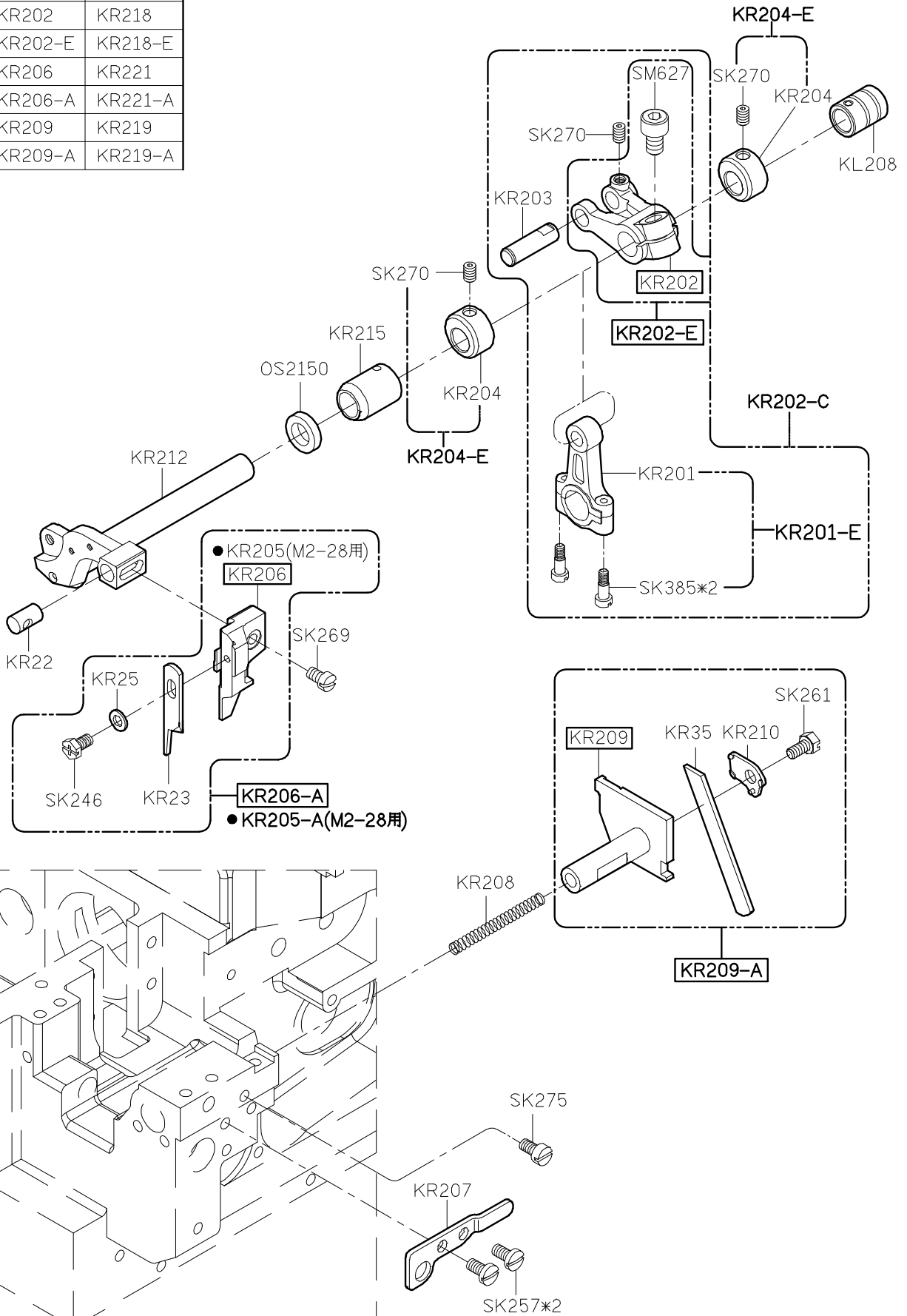
A

B

C

D

E



1

2

3

4

5

**SIRUBA**

PARTS LIST

Series

700Q/988Q

Parts Group

**KS**

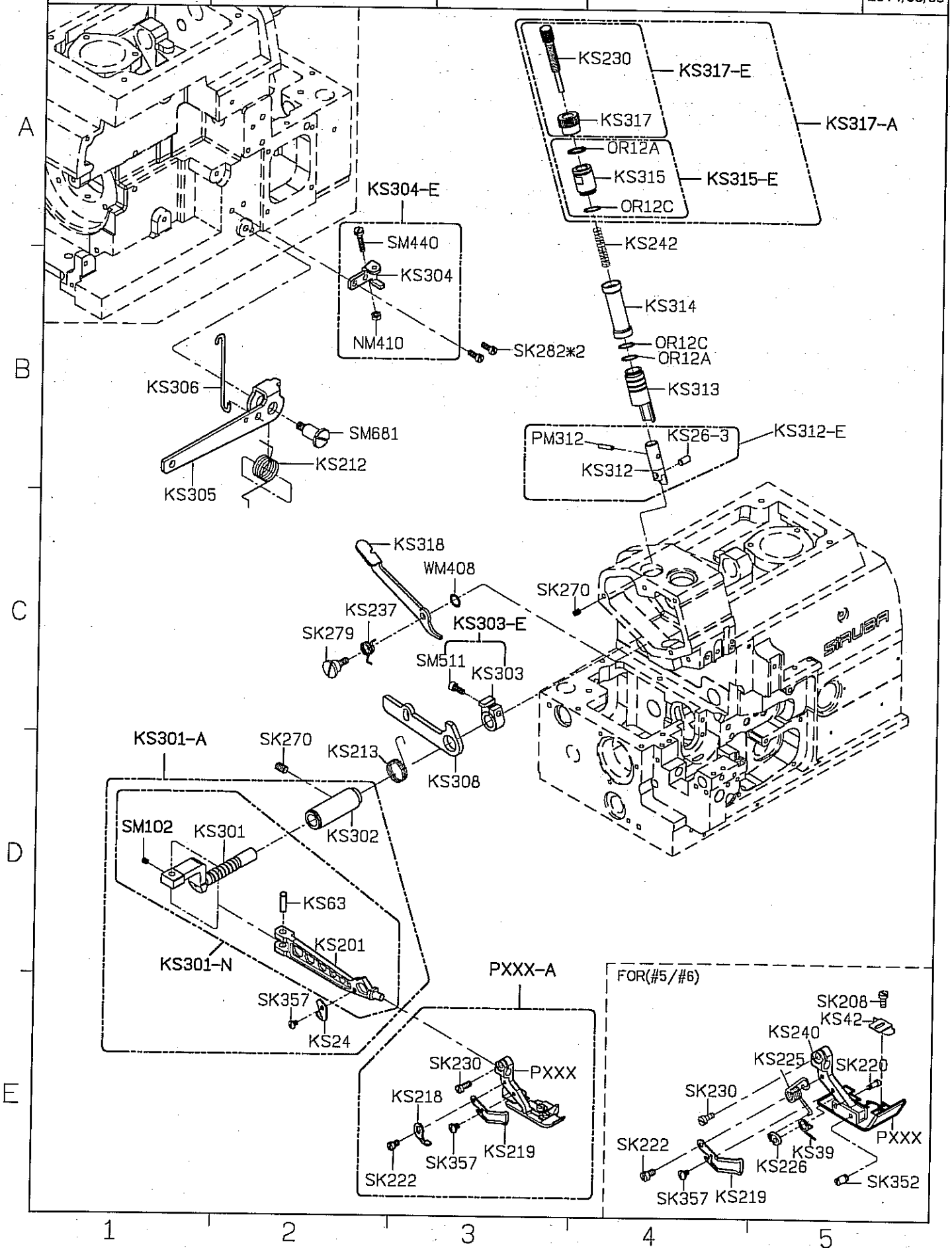
Subclass / Remark

Page

1/1

Date

2014/03/03



**SIRUBA**  
**PARTS LIST**

**Series**  
**700Q/988Q**

**Parts Group**  
**KT**

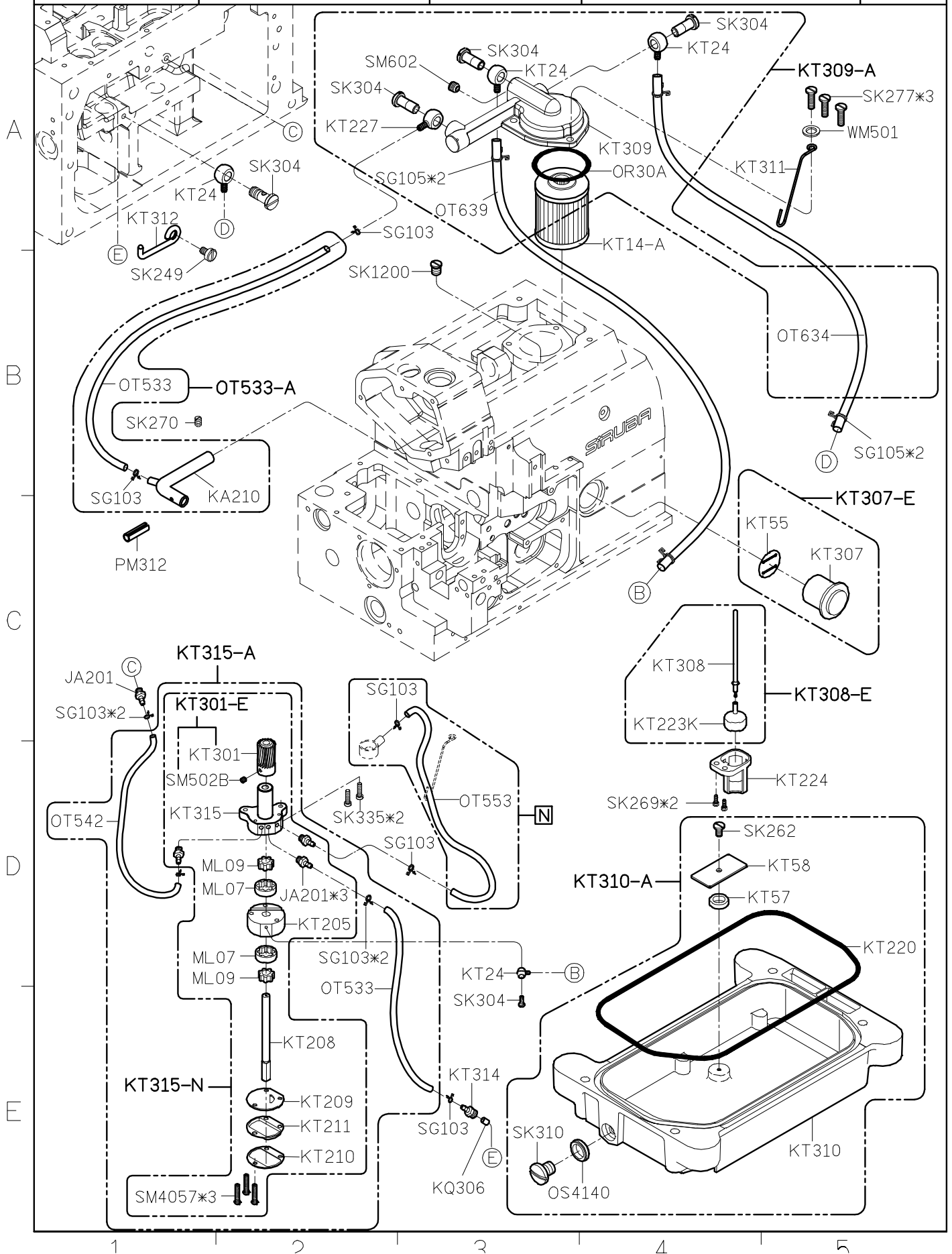
**Subclass / Remark**

**Page**

1/1

Date

2012/08/30



**SIRUBA**

PARTS LIST

Series

700Q/988Q

Parts Group

**KU**

Subclass / Remark

Page

1/1

Date

2013/02/01

MODEL	#3/#4	#5/#6
PARTS NO	KU207	KU209
	KU206	KU211
	KU201-4	KU201-5
	SK277	SK437

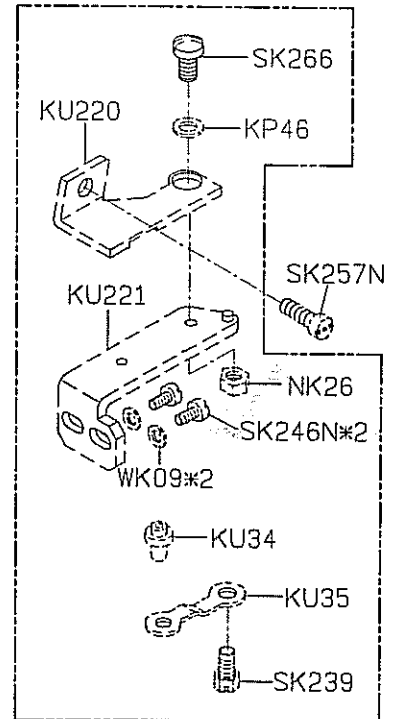
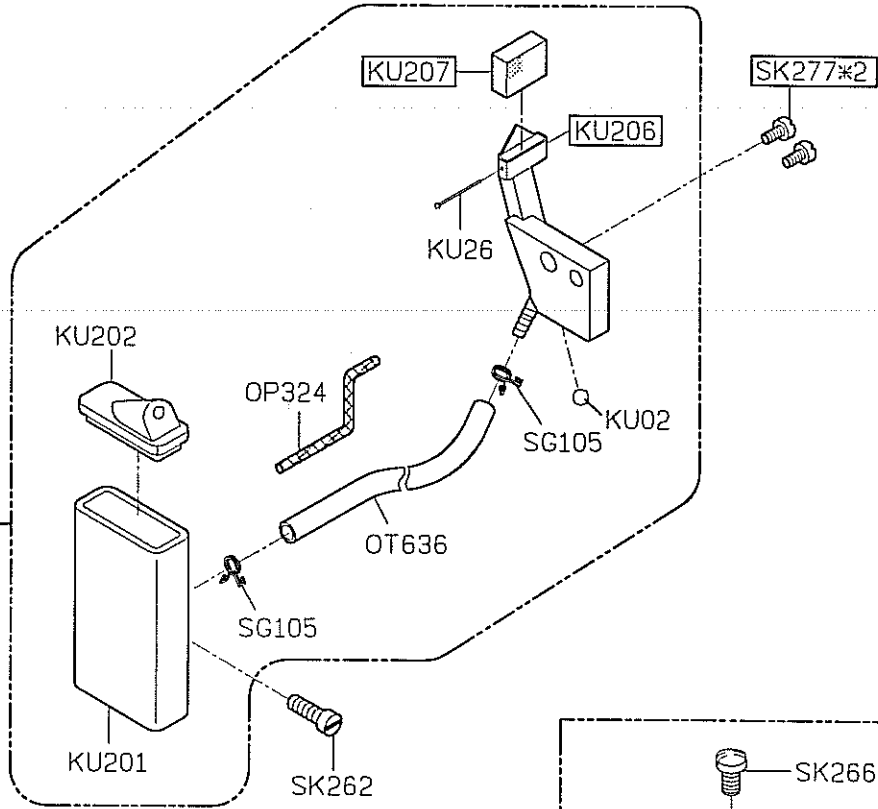
A

B

C

D

E



KU220-E  
(FOR 737Q-505F1-04 ONLY)

KU60-A  
(FOR 737Q-505F1-04 ONLY)

KU60-E

KU49-E

1

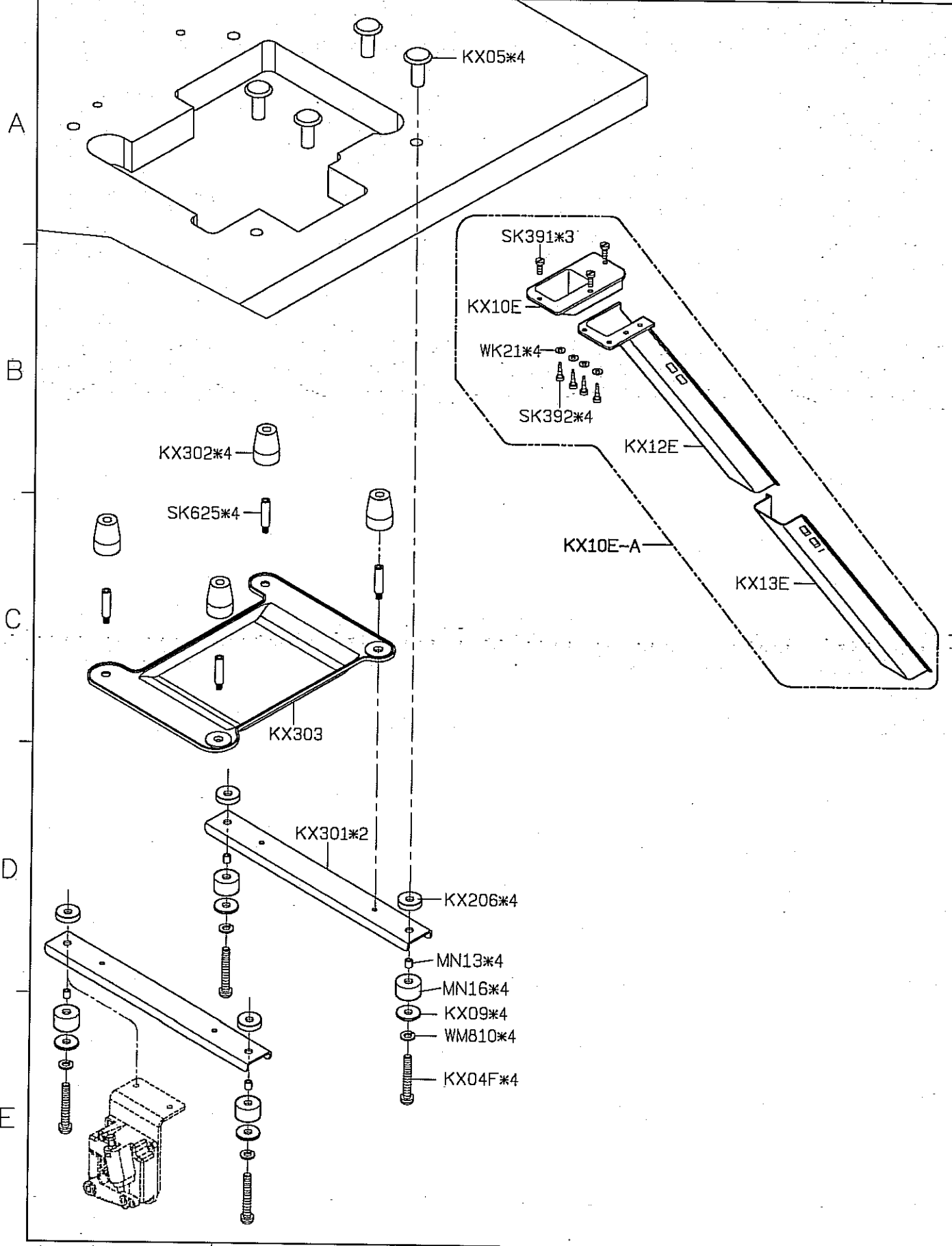
2

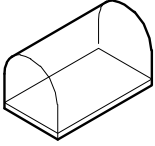




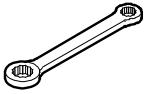
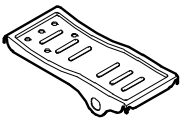


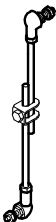

3

4

5

SIRUBA PARTS LIST	Series	Parts Group	Subclass / Remark	Page
	700Q/988Q	KX		1/1
				Date
				2014/01/13



SIRUBA PARTS LIST	Series	Parts Group	Subclass / Remark	Page
	700Q/988Q	KY		1/1
				Date
				2012/08/30
KY01-1 防塵罩	KY02F-A 油罐	KY03 油壺	KY04 漏斗	KY14 內六角螺絲起子
				
KY23-A		LY33 一字起子	KY18 鑷子	SK216 螺絲
KY23 內六角扳手	KY09 開口扳手			
				
KY20D-A 腳踏板	KY21-A/MY21-A 鉤子/鍊條	KY201 工具袋	KY30 針板紙	KR35 下刀片
				
KT14-A 濾油器	KZ03 乾燥劑	針*5 車針	KZ310 光碟片	LY35 一字起子
				
BS508-A 固定架	CS101-A1 控速器	KY05-A 油壺		
				

1

2

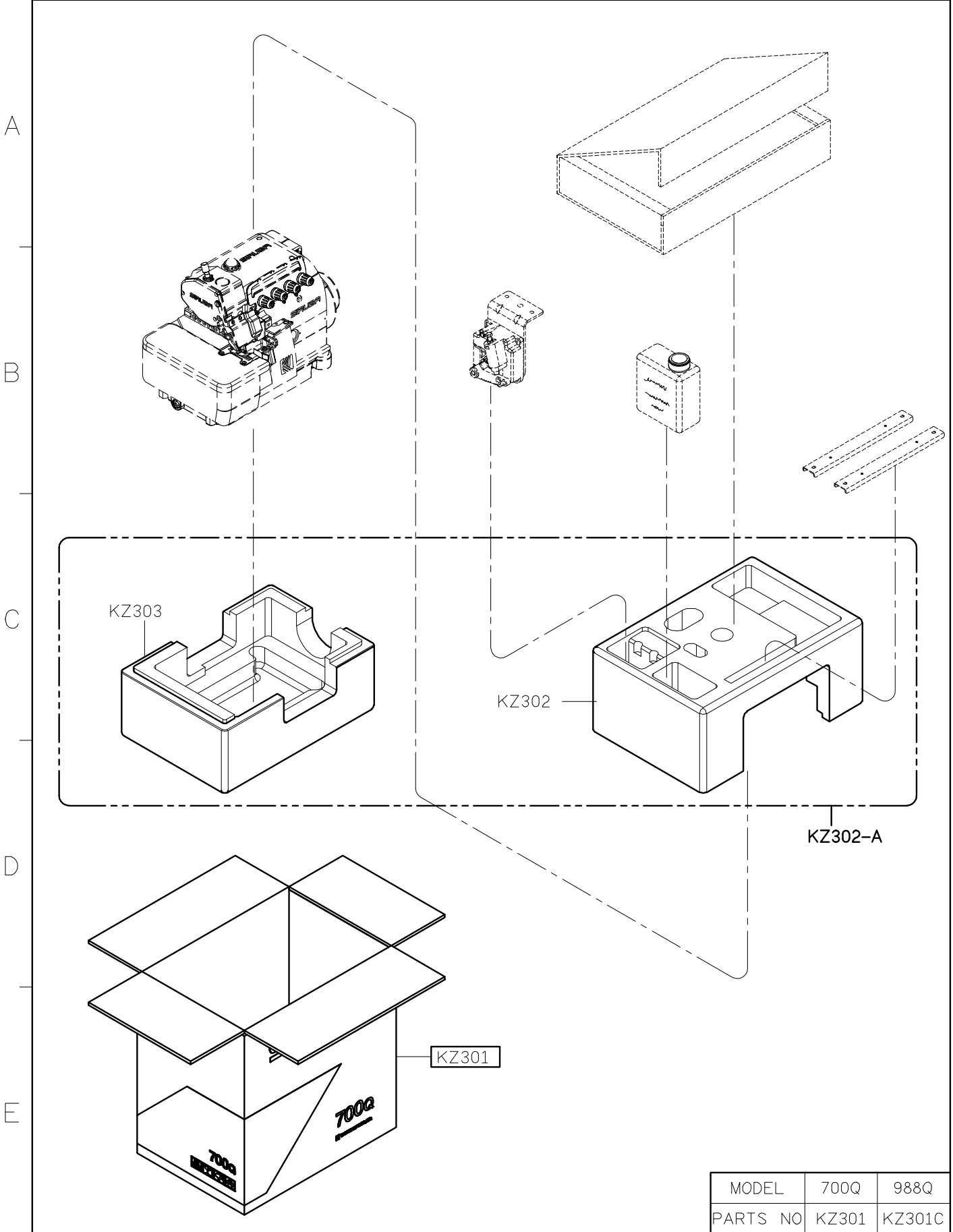
3

4

5



<b>SIRUBA</b>  <b>PARTS LIST</b>	<b>Series</b>	<b>Parts Group</b>	<b>Subclass / Remark</b>	<b>Page</b>
	<b>700Q/988Q</b>	<b>KZ</b>		<b>1/1</b>
				<b>Date</b>
				<b>2012/08/30</b>



1

2

3

4

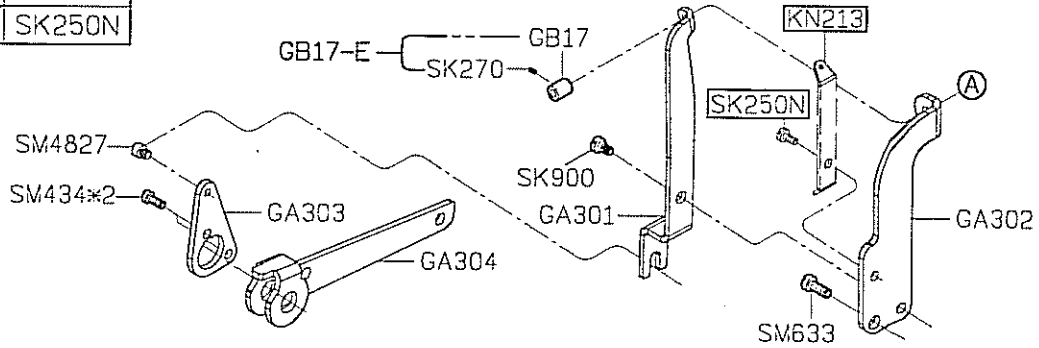
5

MODEL	700Q	988Q
PARTS NO	KZ301	KZ301C

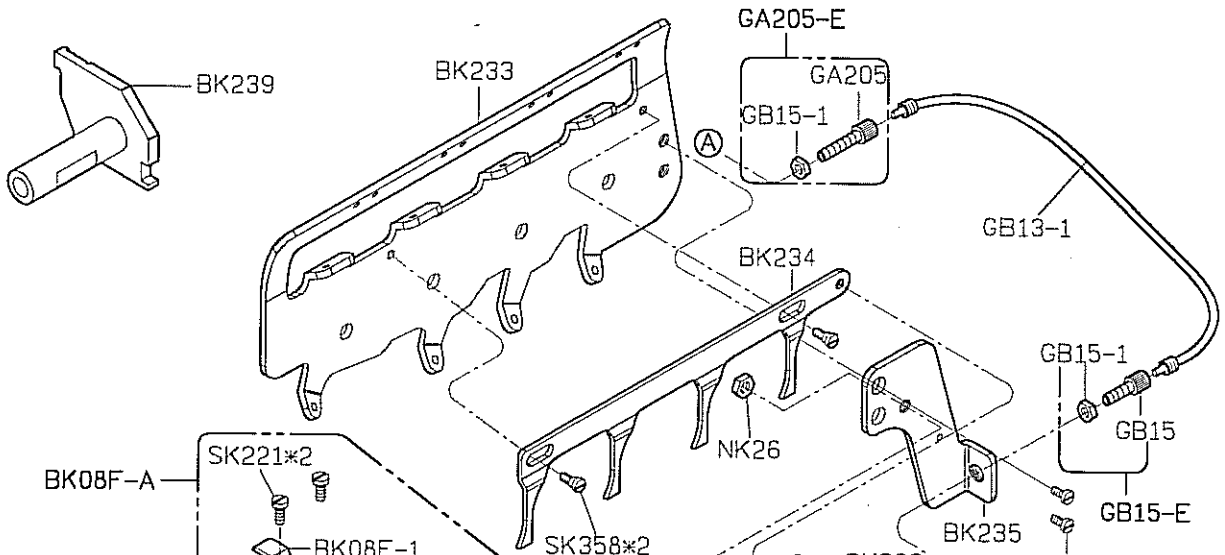
<b>SIRUBA</b> PARTS LIST	Series	Parts Group	Subclass / Remark	Page
	700Q/988Q	<b>BK-1Q</b>		1/1
				Date
				2013/07/15

MODEL	#4	#5
PARTS NO		KN213
		SK250N

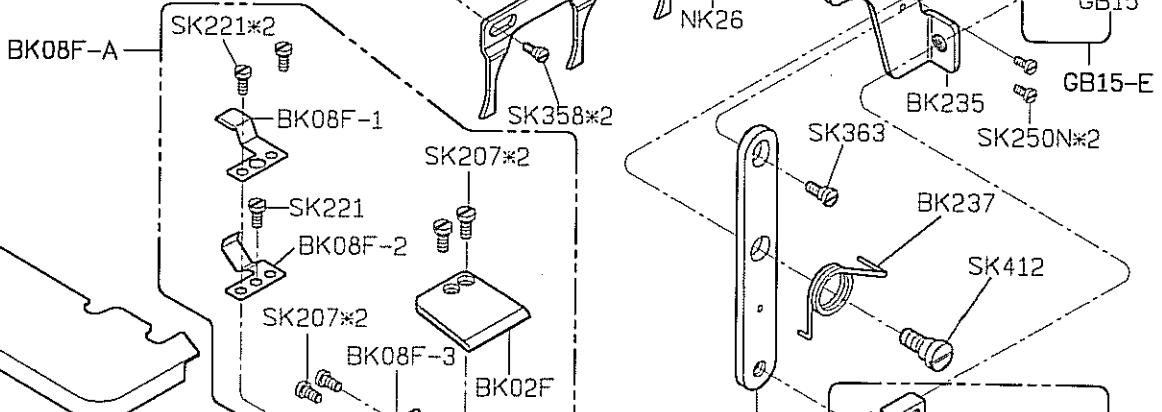
A



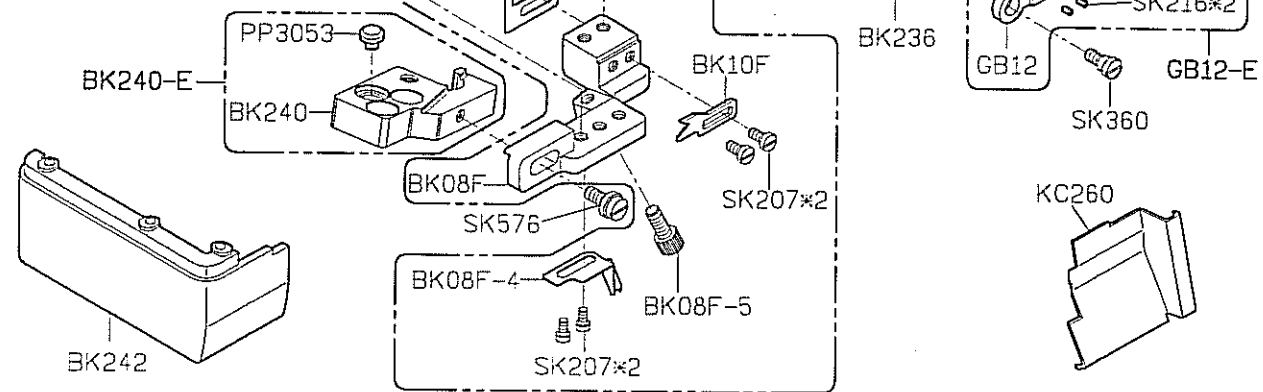
B



C



D



E

1

2

3

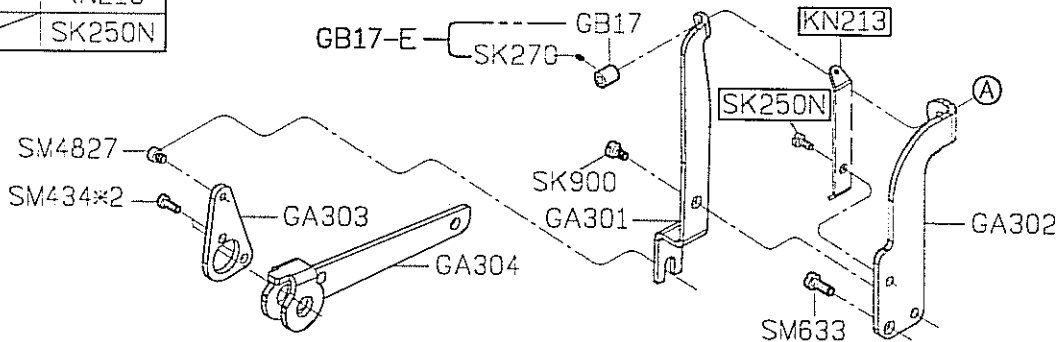
4

5

<b>SIRUBA</b> PARTS LIST	Series	Parts Group	Subclass / Remark	Page
	700Q/988Q	<b>BK-Q</b>		1/1
				Date
				2013/07/15

MODEL	#4	#5
PARTS NO		KN213
		SK250N

A

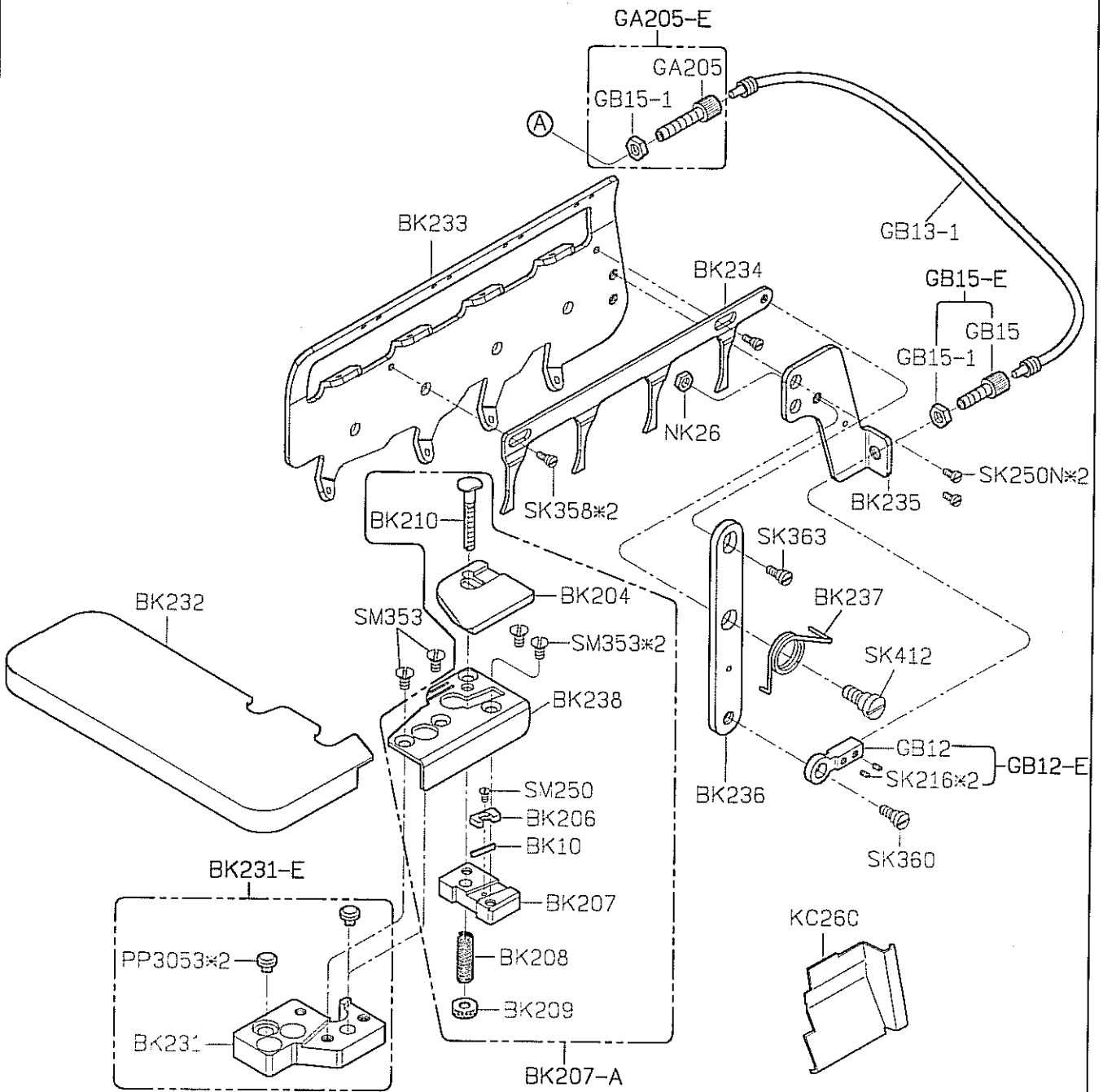


B

C

D

E



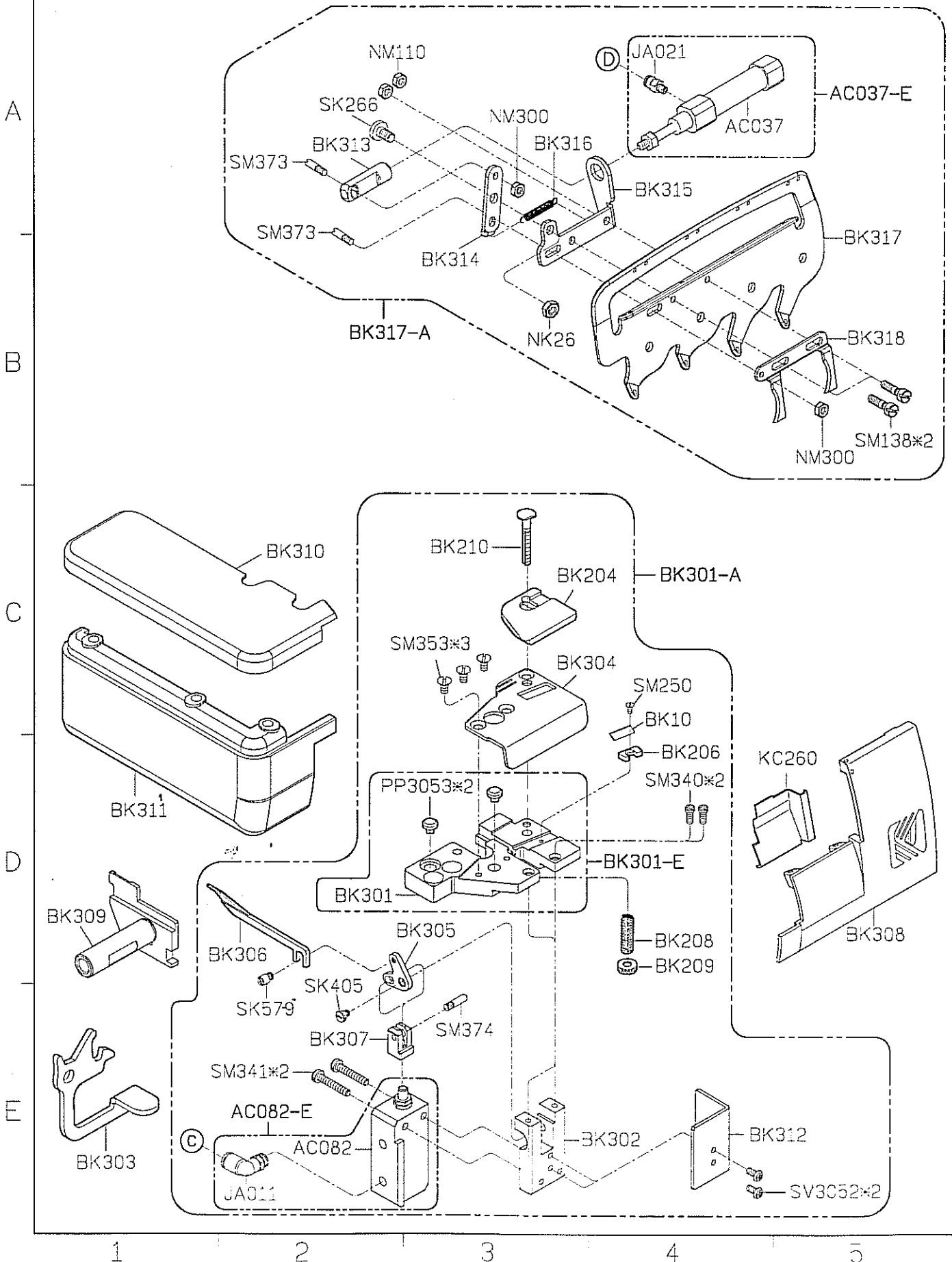
1

2

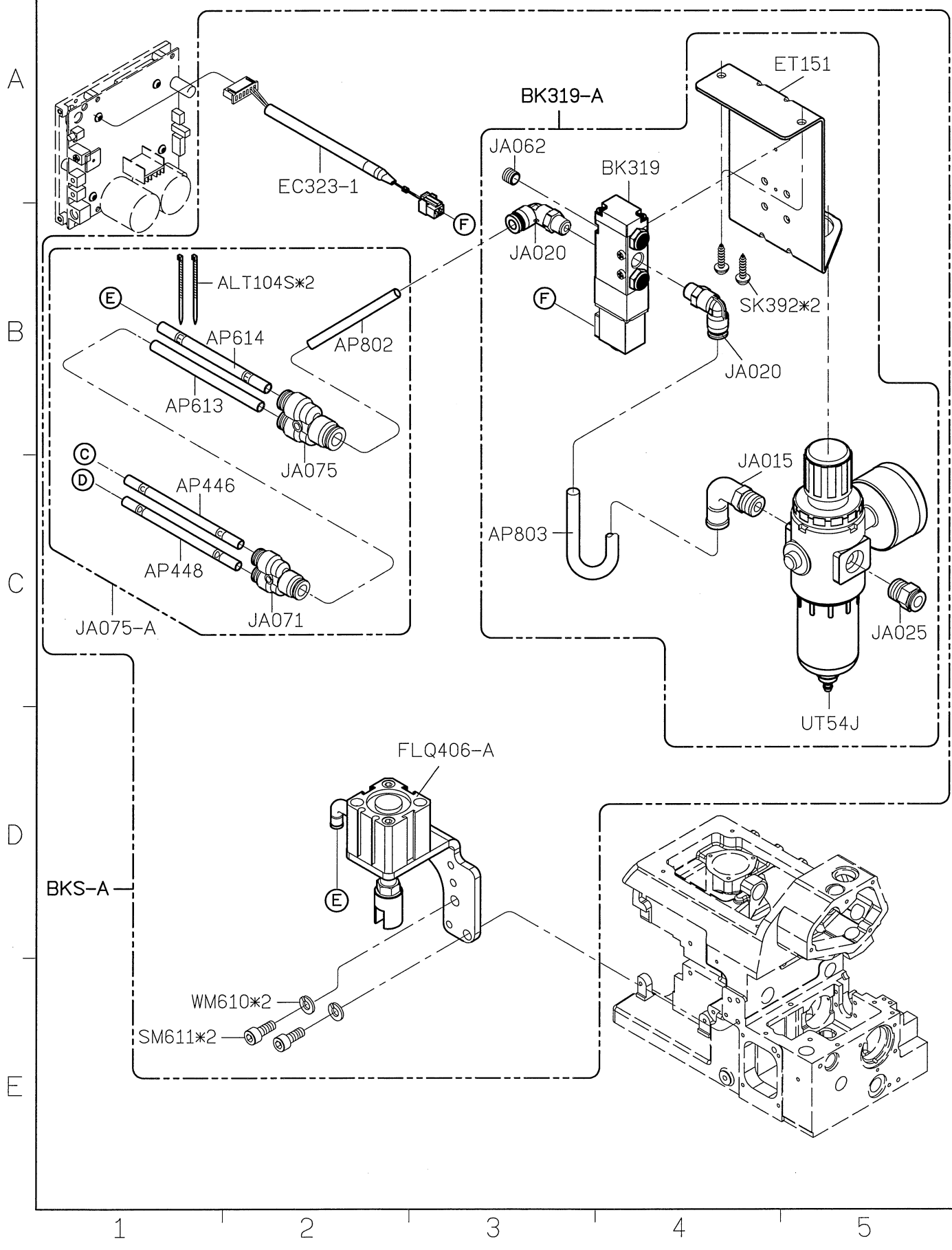
3

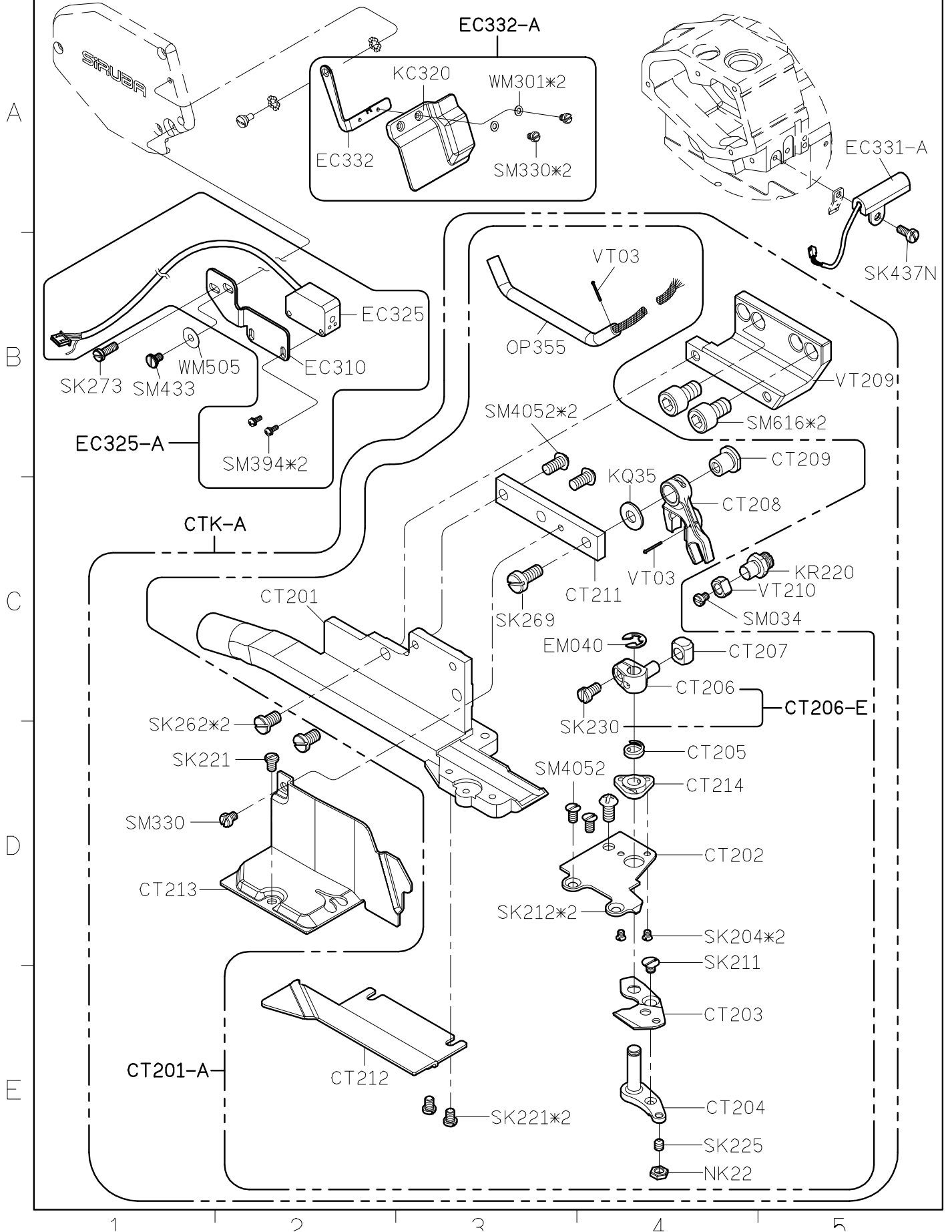
4

5

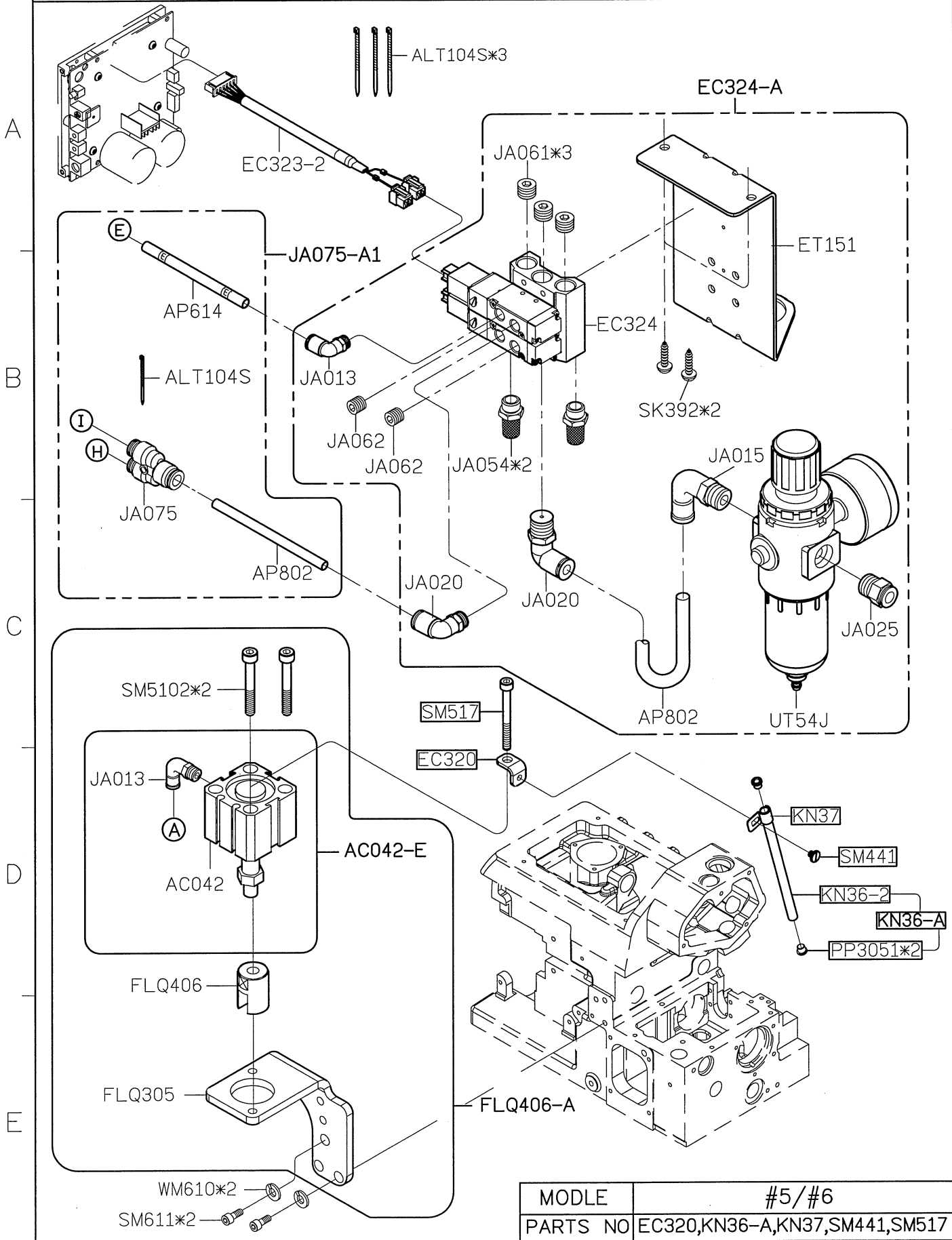


SIRUBA PARTS LIST	Series	Parts Group	Subclass / Remark	Page
	700Q/988Q	<b>BKS</b>		
				Date
				2014/07/24





<b>SIRUBA</b> PARTS LIST	Series	Parts Group	Subclass / Remark	Page
	700Q/988Q	<b>CTE</b>		2/3
				Date
				2013/07/24



MODLE	#5/#6
PARTS NO	EC320,KN36-A,KN37,SM441,SM517

1                  2                  3                  4                  5

<b>SIRUBA</b>  <b>PARTS LIST</b>	Series	Parts Group	Subclass / Remark	Page
				3/3
	700Q/988Q	<b>CTE</b>		Date
				2012/10/04

A

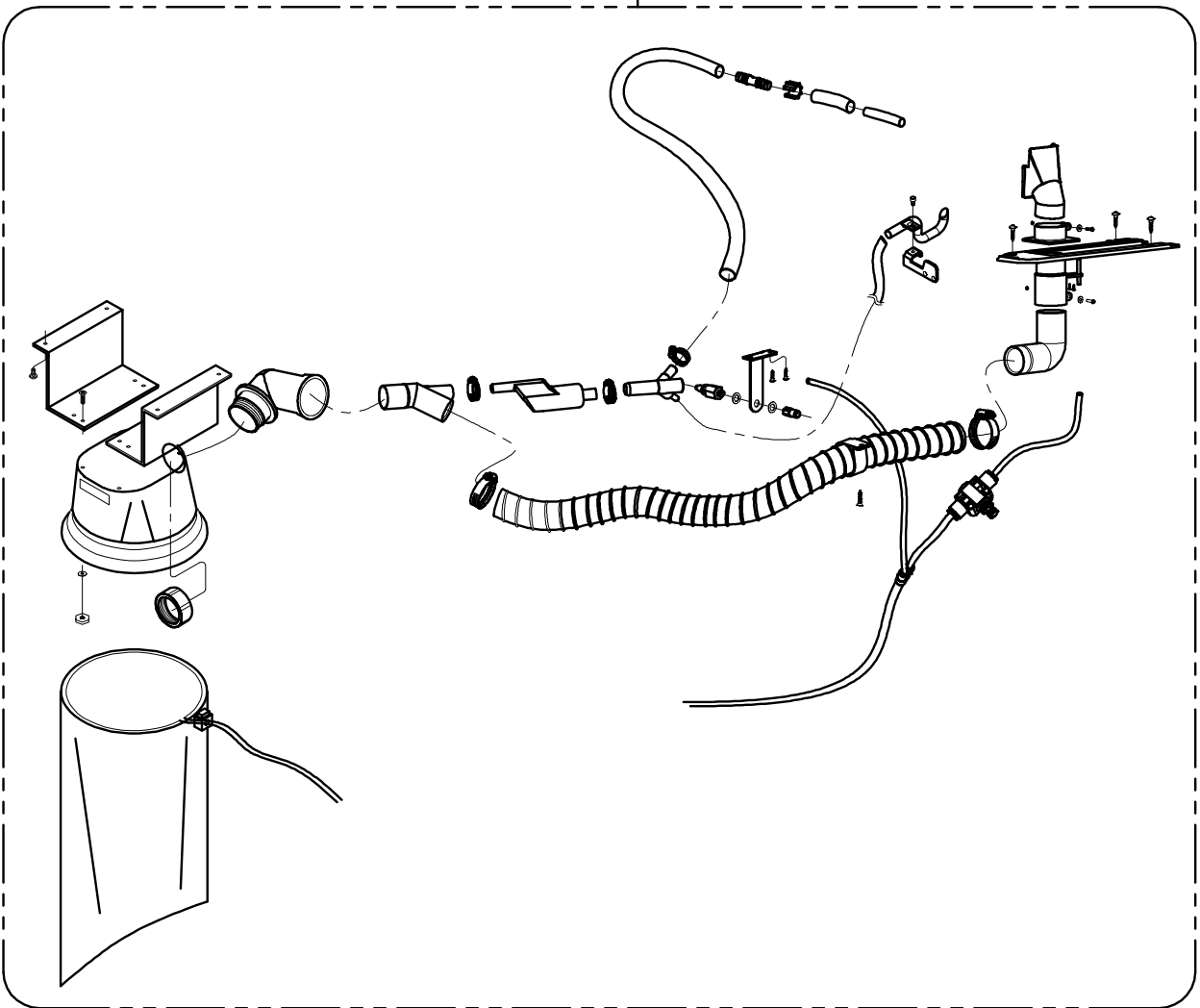
B

C

D

E

TUA-35



1

2

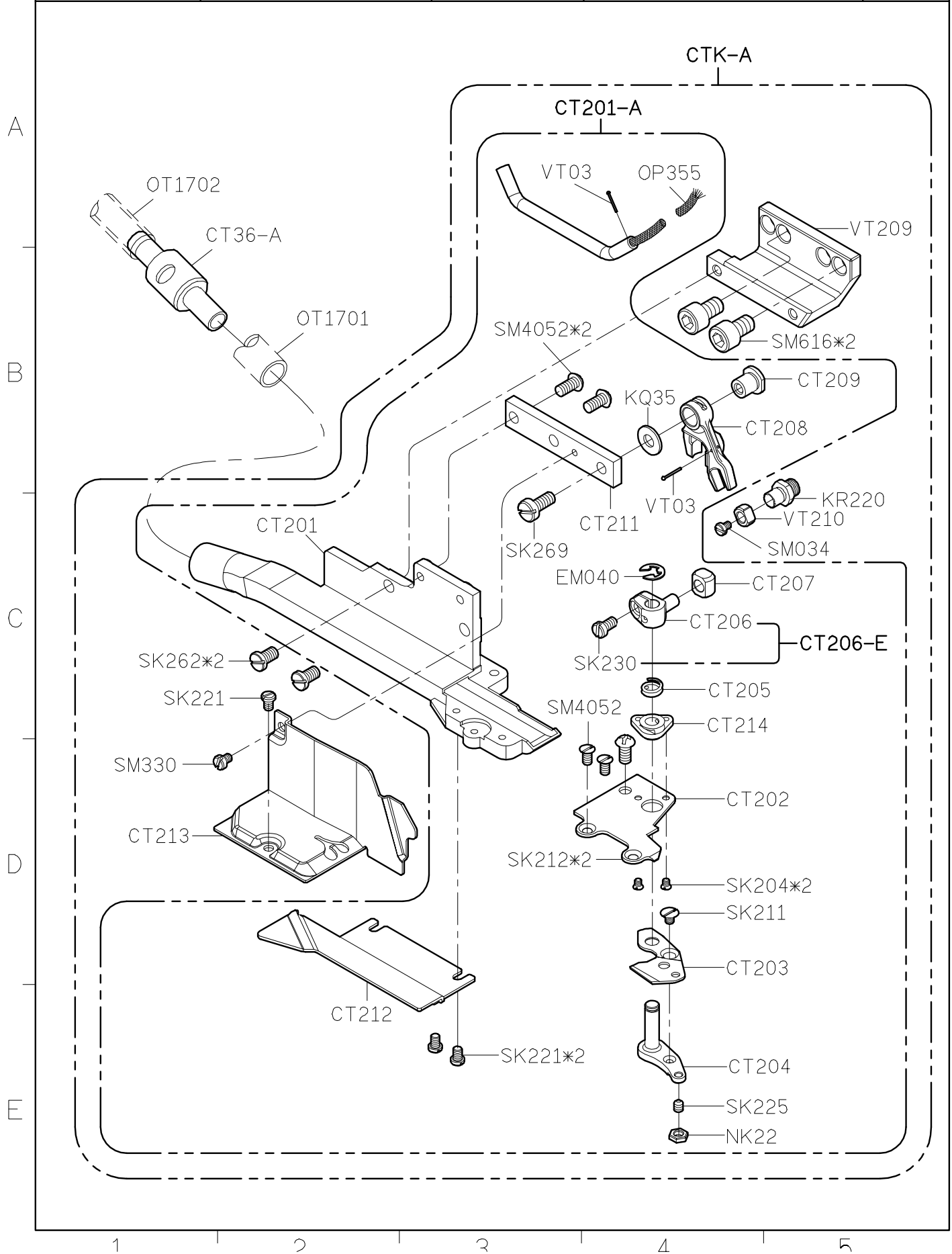
3

4

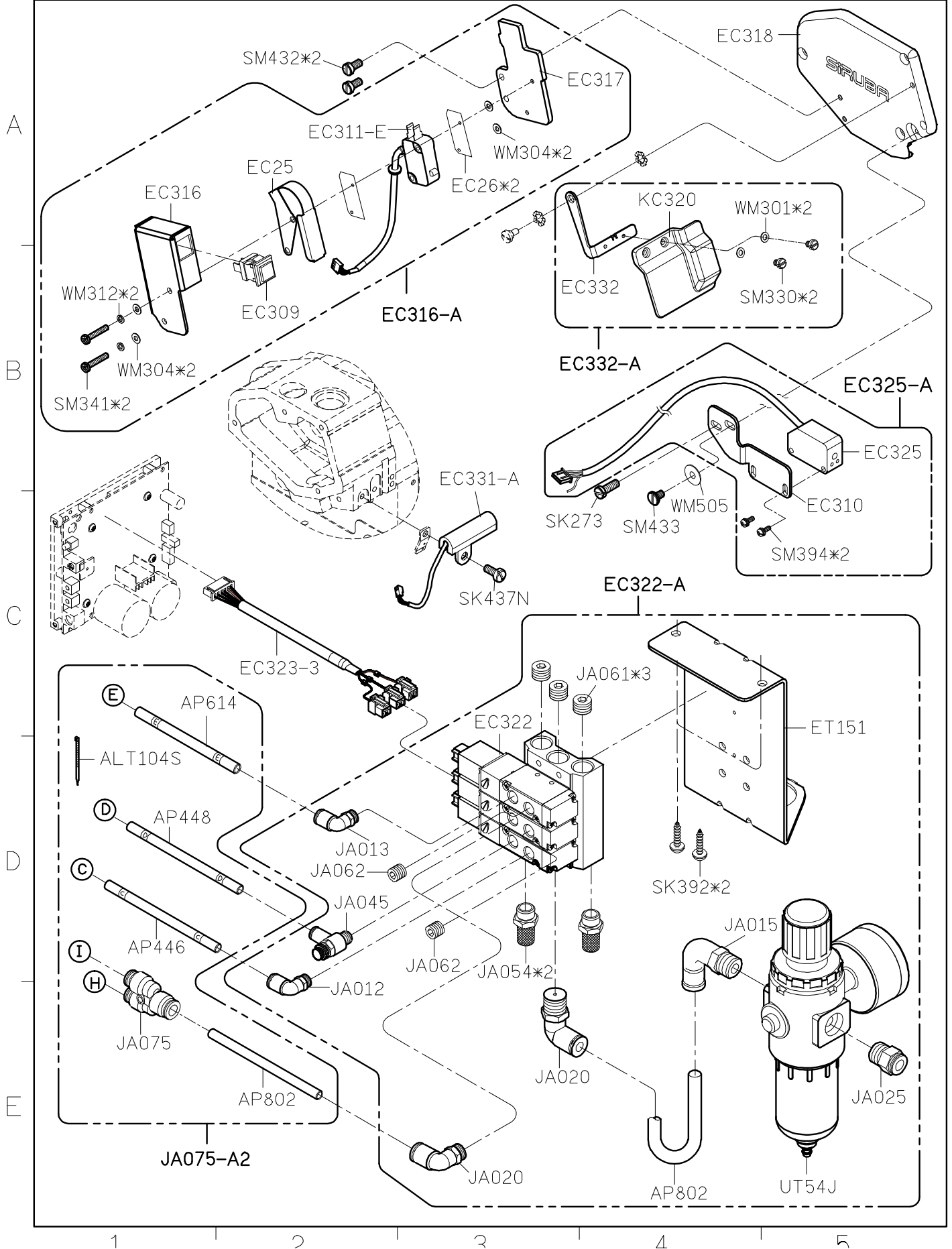
5



SIRUBA PARTS LIST	Series	Parts Group	Subclass / Remark	Page
	700Q/988Q	CT-K		1/1
				Date
				2012/10/04







<b>SIRUBA</b>  <b>PARTS LIST</b>	Series	Parts Group	Subclass / Remark	Page
				3/3
	700Q/988Q	<b>ECA</b>		Date
				2012/10/04

A

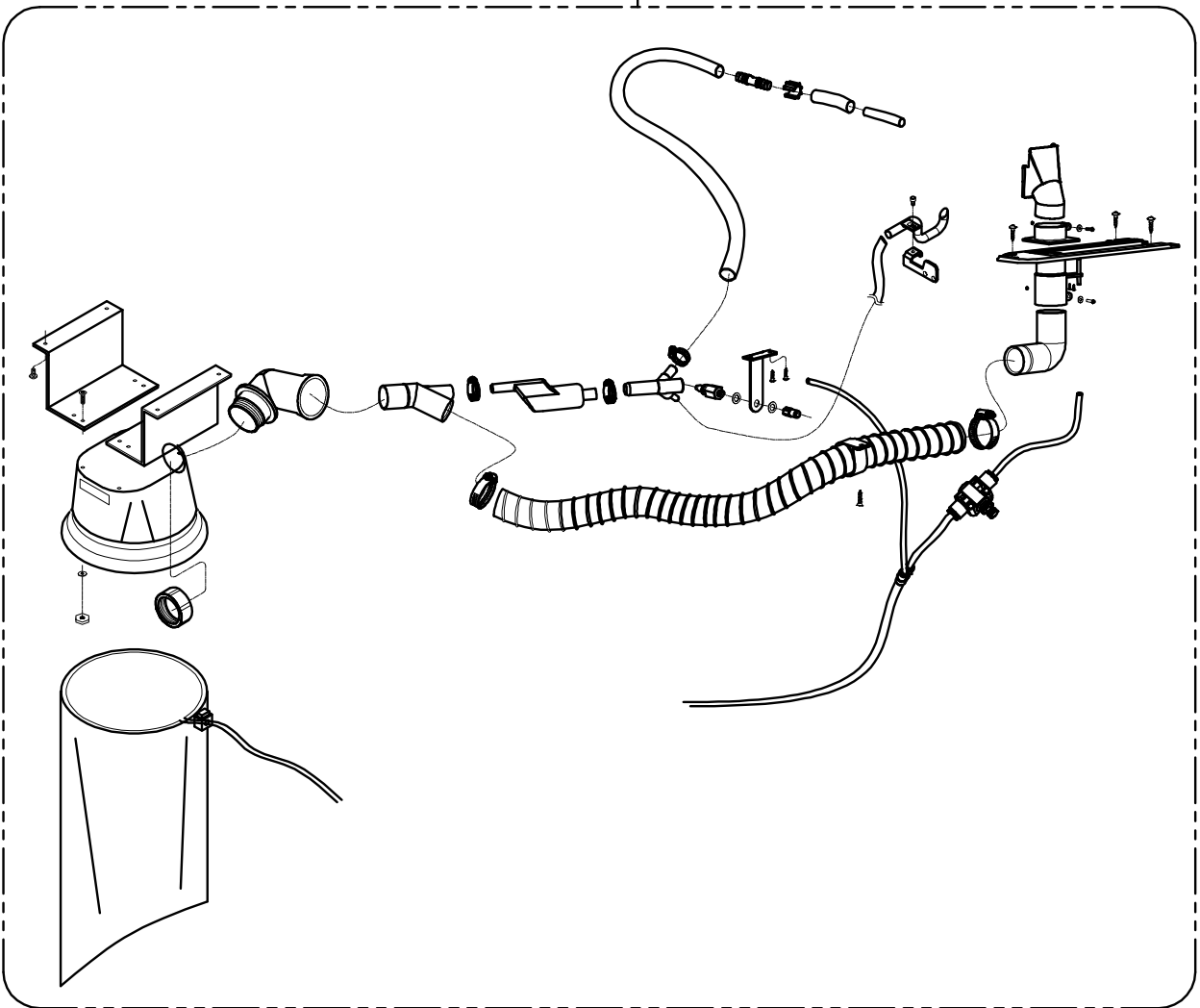
B

C

D

E

TUA-35



1

2

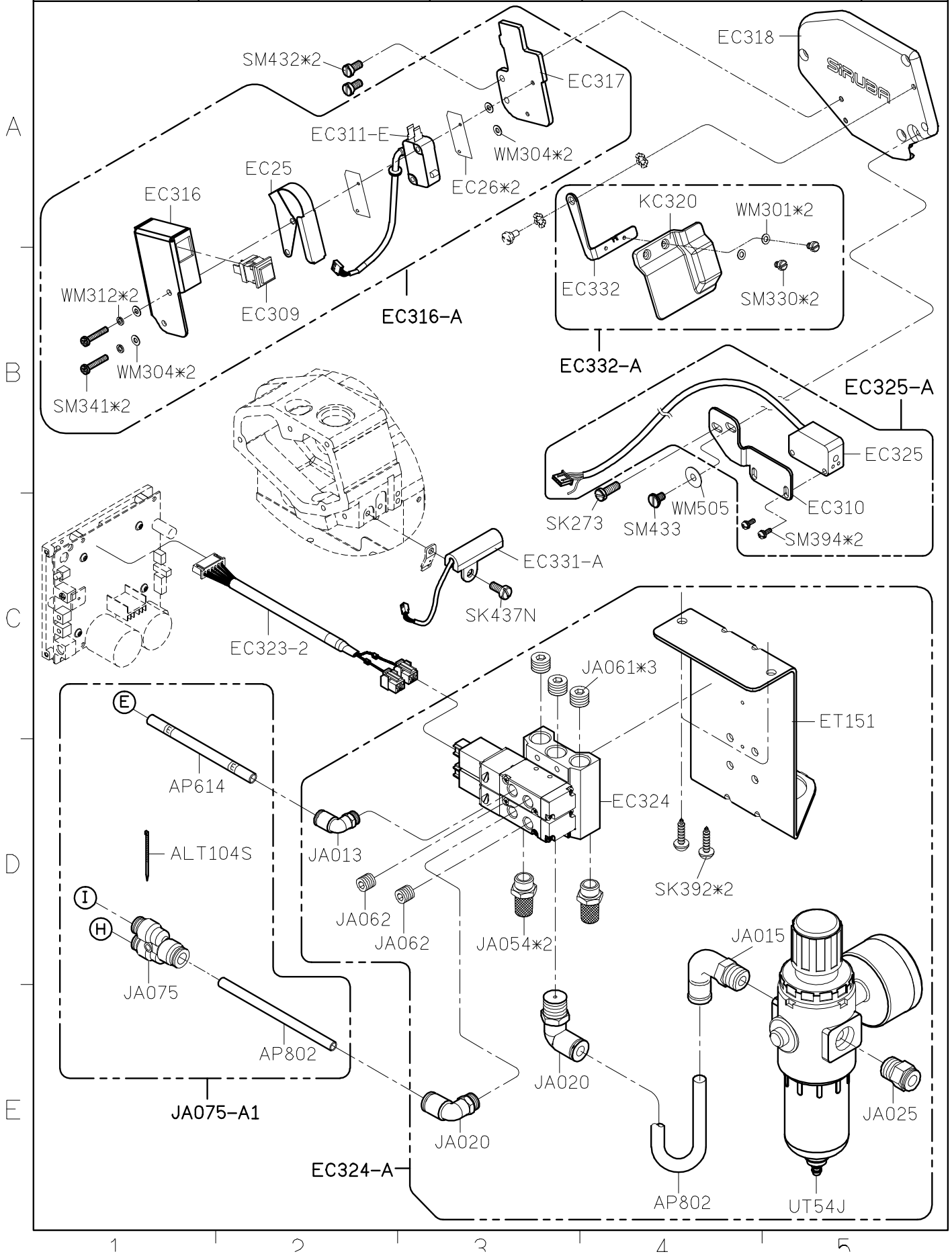
3

4

5



<b>SIRUBA</b>  <b>PARTS LIST</b>	<b>Series</b>	<b>Parts Group</b>	<b>Subclass / Remark</b>	<b>Page</b>
	<b>700Q/988Q</b>	<b>ECB</b>		<b>2/3</b>
				<b>Date</b>
				<b>2012/11/14</b>



<b>SIRUBA</b>  <b>PARTS LIST</b>	Series	Parts Group	Subclass / Remark	Page
				3/3
	700Q/988Q	<b>ECB</b>		Date
				2012/10/04

A

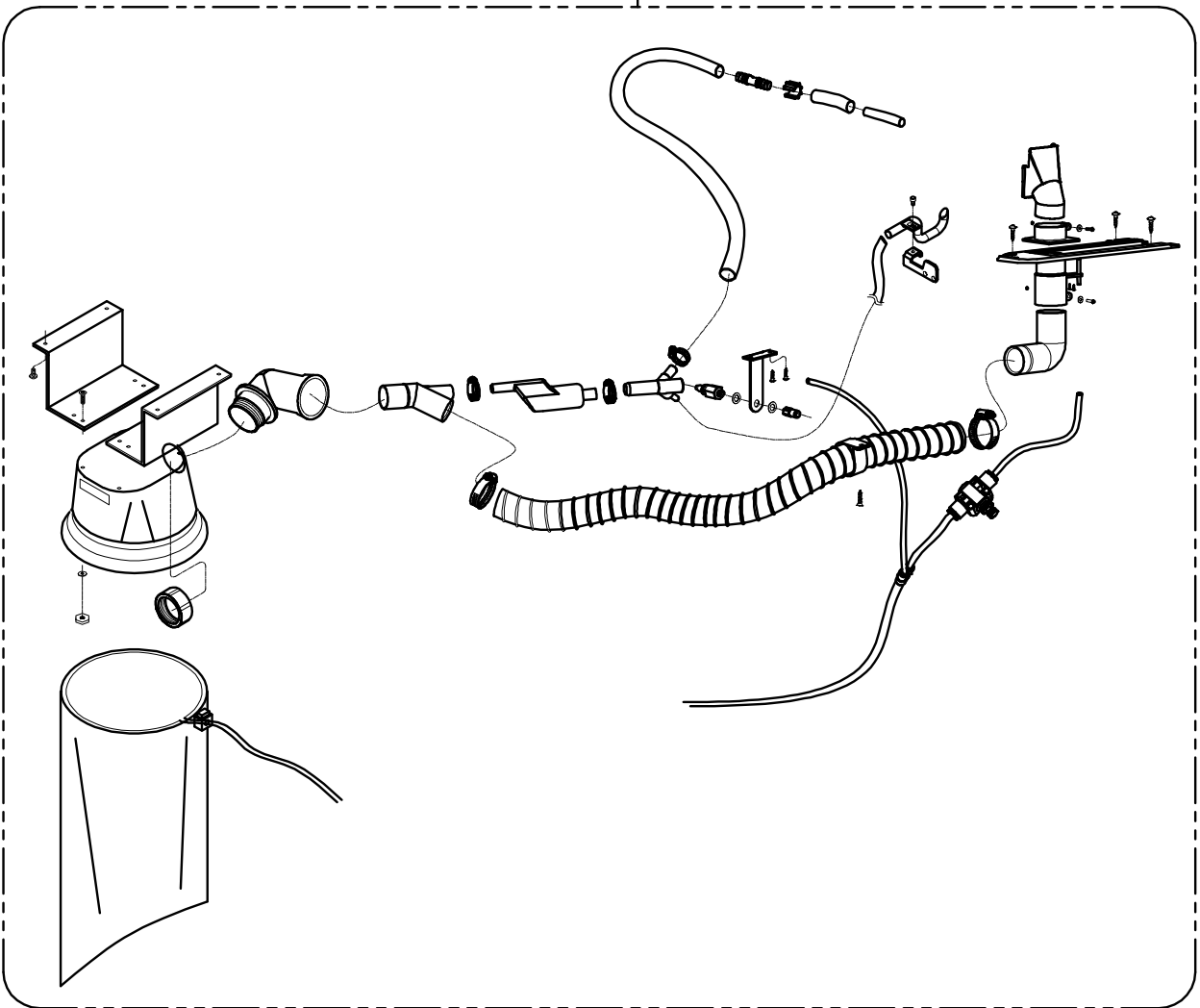
B

C

D

E

TUA-35



1

2

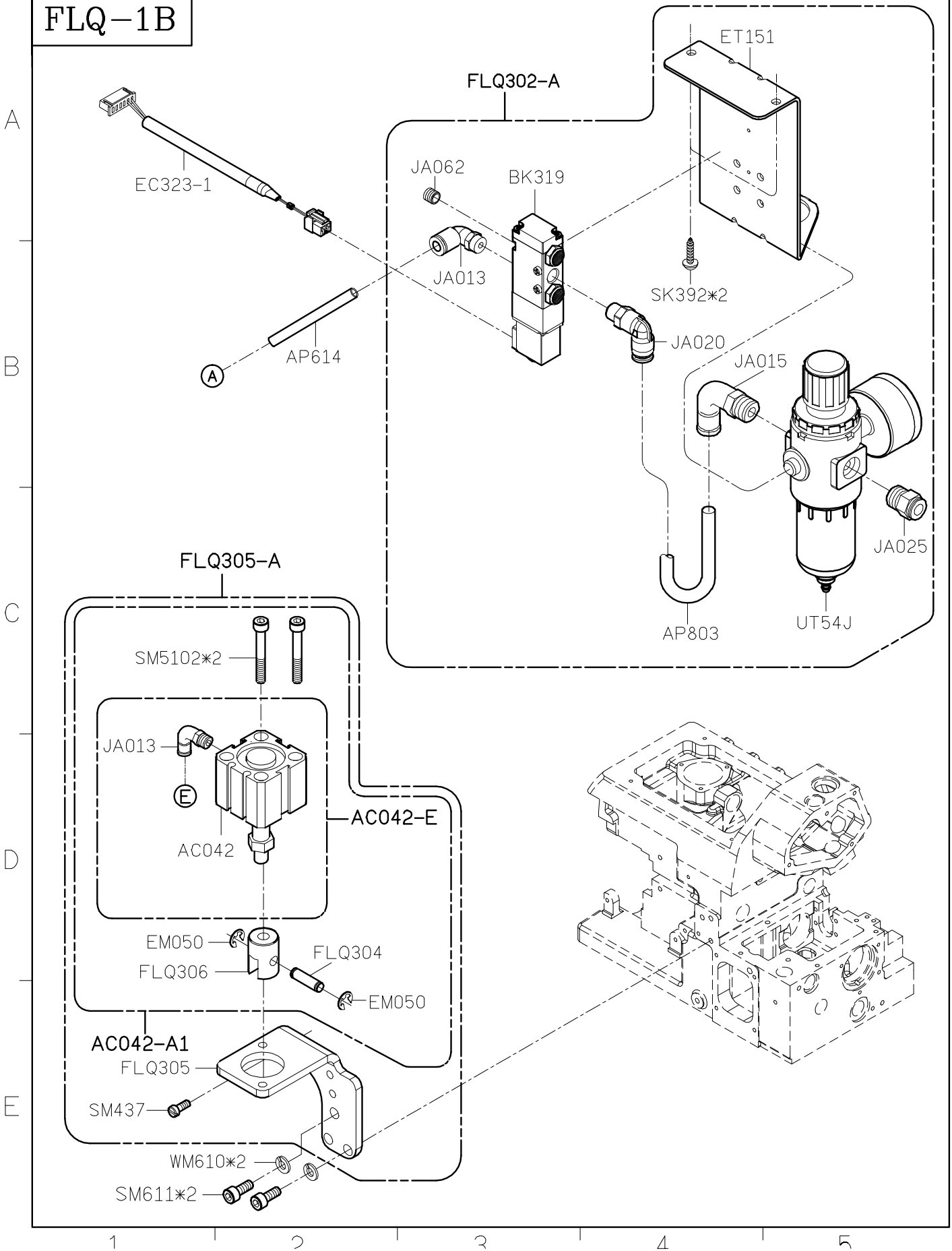
3

4

5

SIRUBA PARTS LIST	Series	Parts Group	Subclass Remark	Page
	700Q/988Q	FLQ		1/1
				Date 2012/08/23

FLQ-1B





**SIRUBA**

PARTS LIST

Series

700Q/988Q

Parts Group

**GAL-Q**

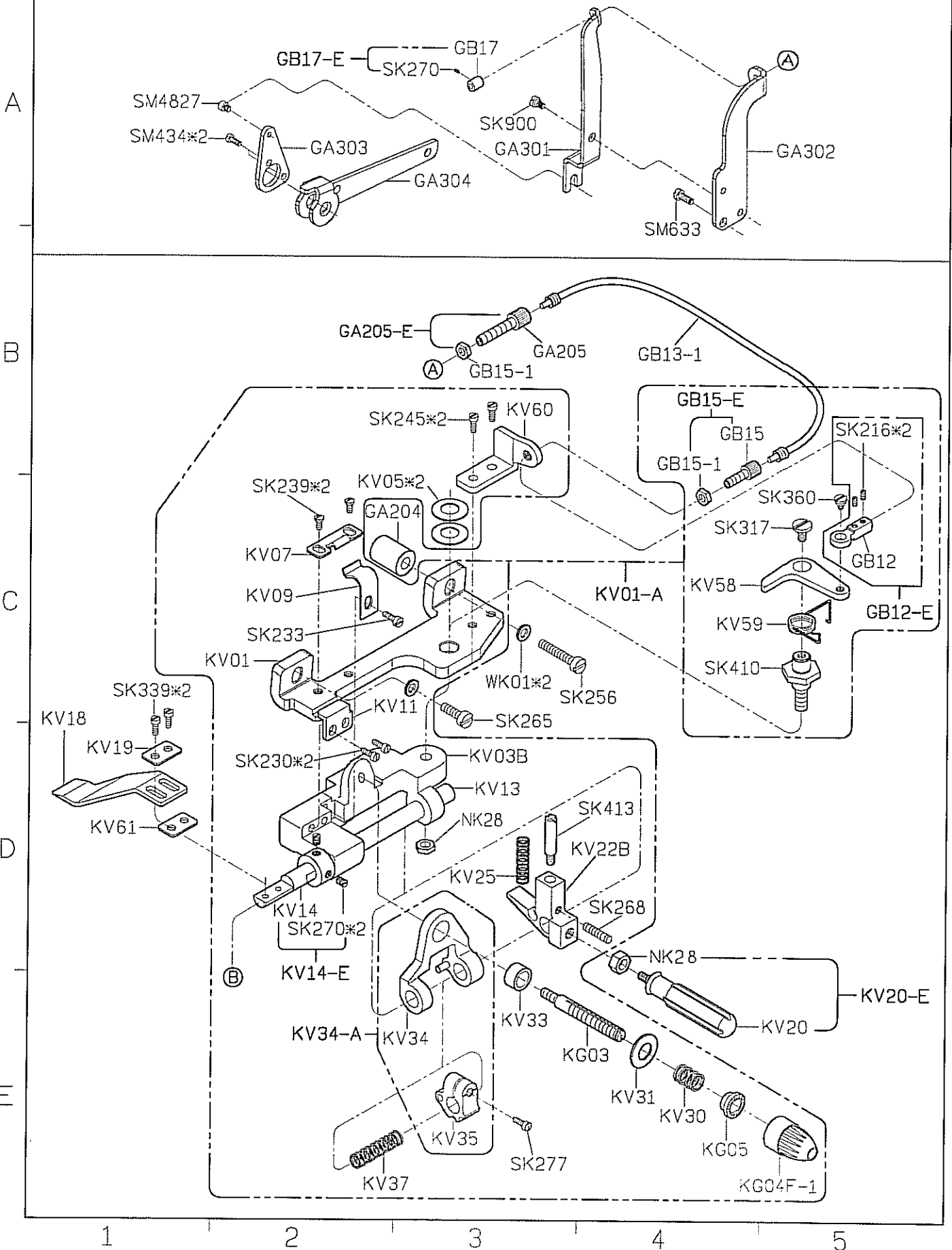
Subclass / Remark

Page

1/1

Date

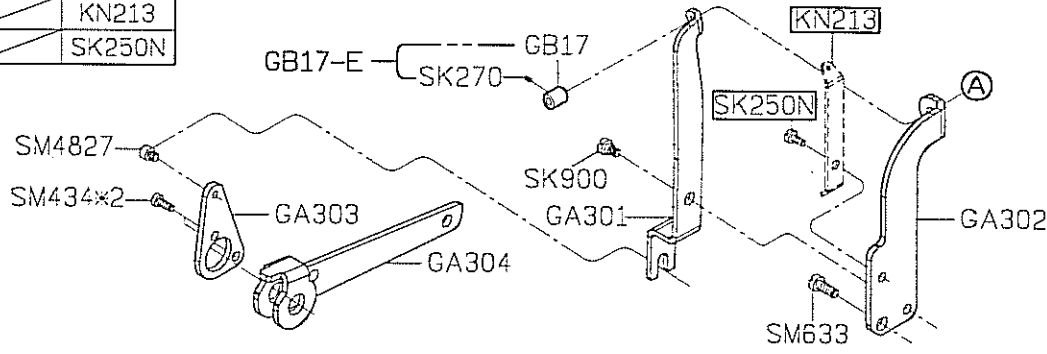
2013/07/16



<b>SIRUBA</b> PARTS LIST	Series	Parts Group	Subclass / Remark	Page
	700Q/988Q	<b>GA-Q</b>		1/1
				Date
				2013/07/15

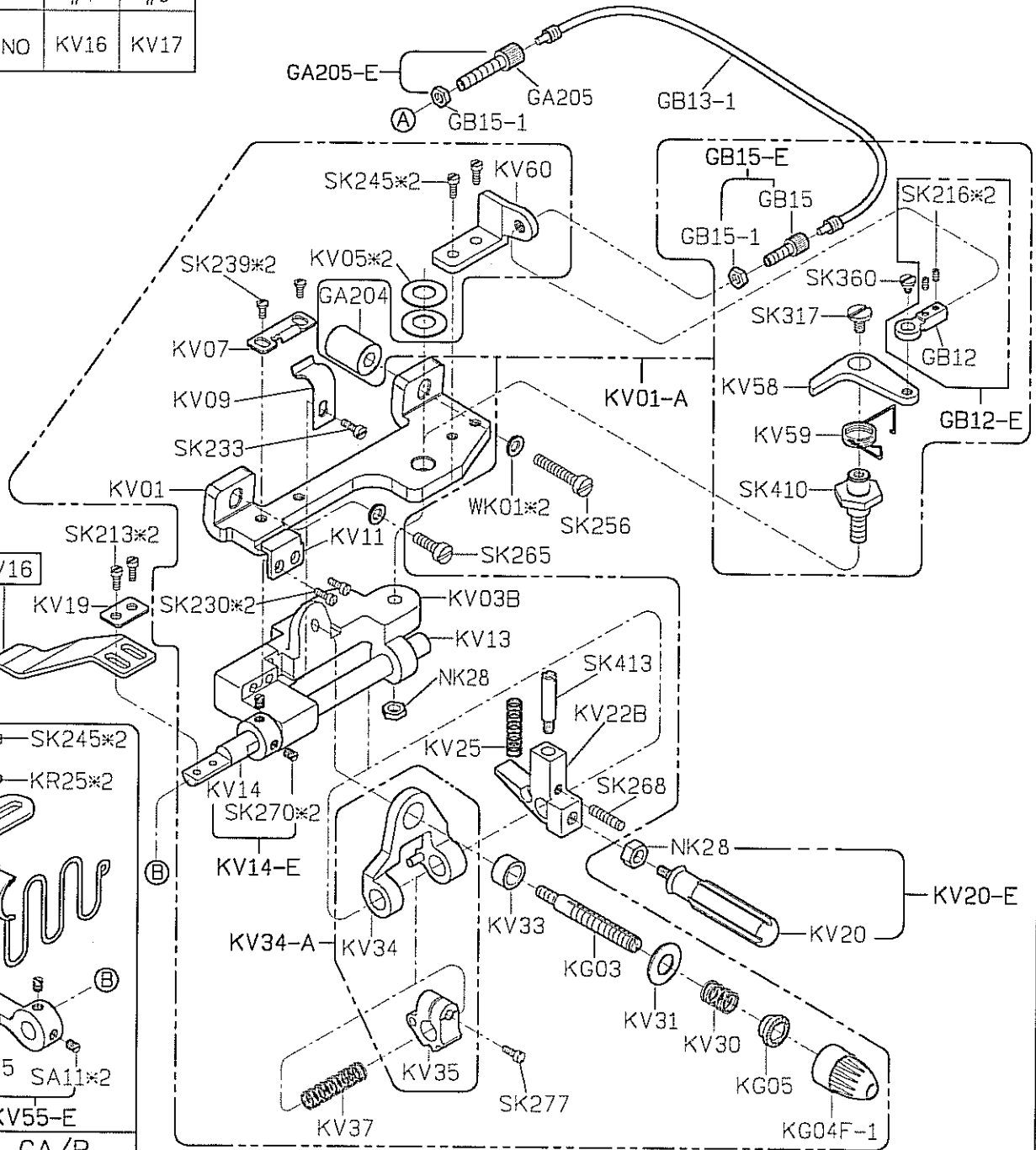
MODEL	#4	#5
PARTS NO		KN213
		SK250N

A



MODEL	#4	#5
PARTS NO	KV16	KV17

B



C

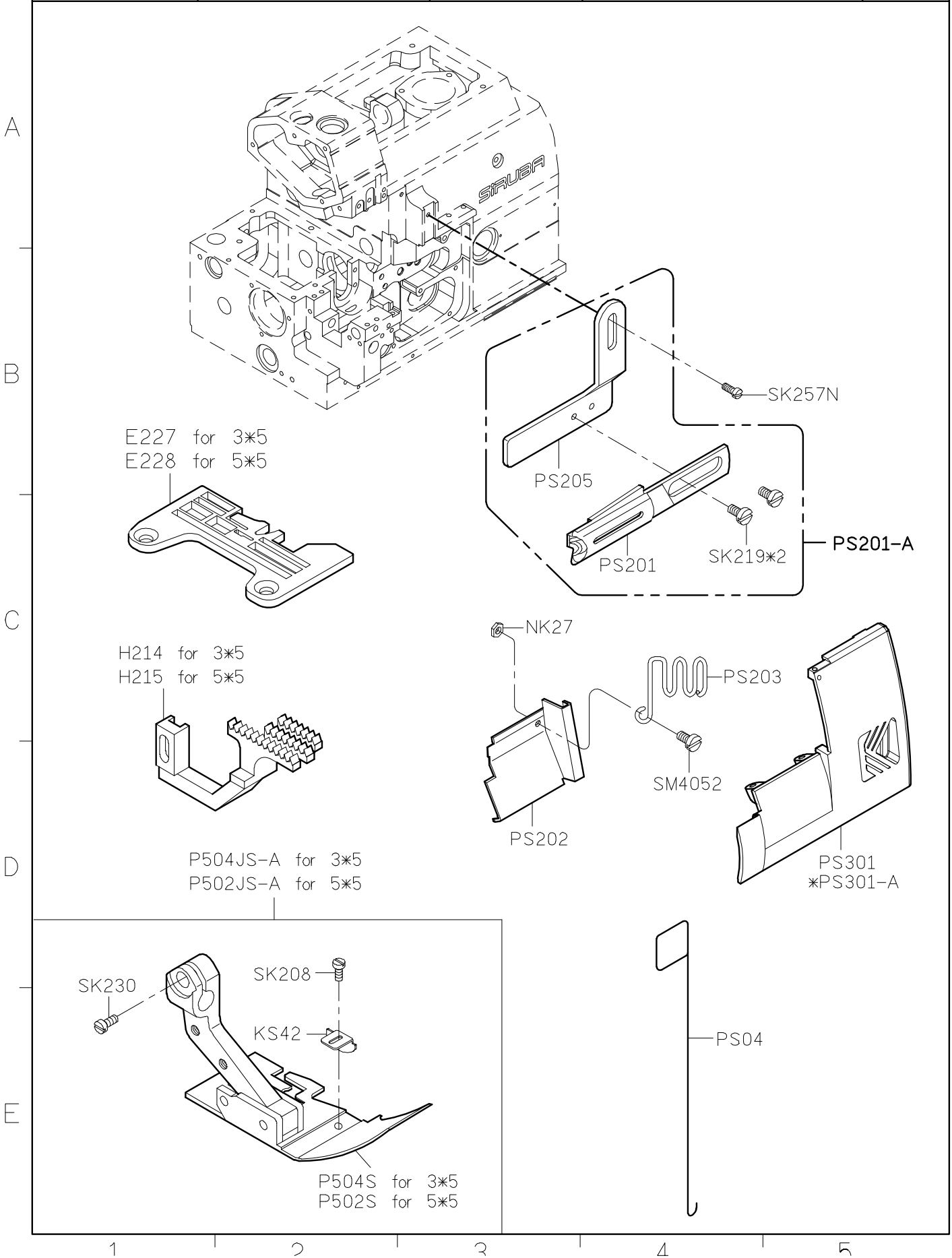
D

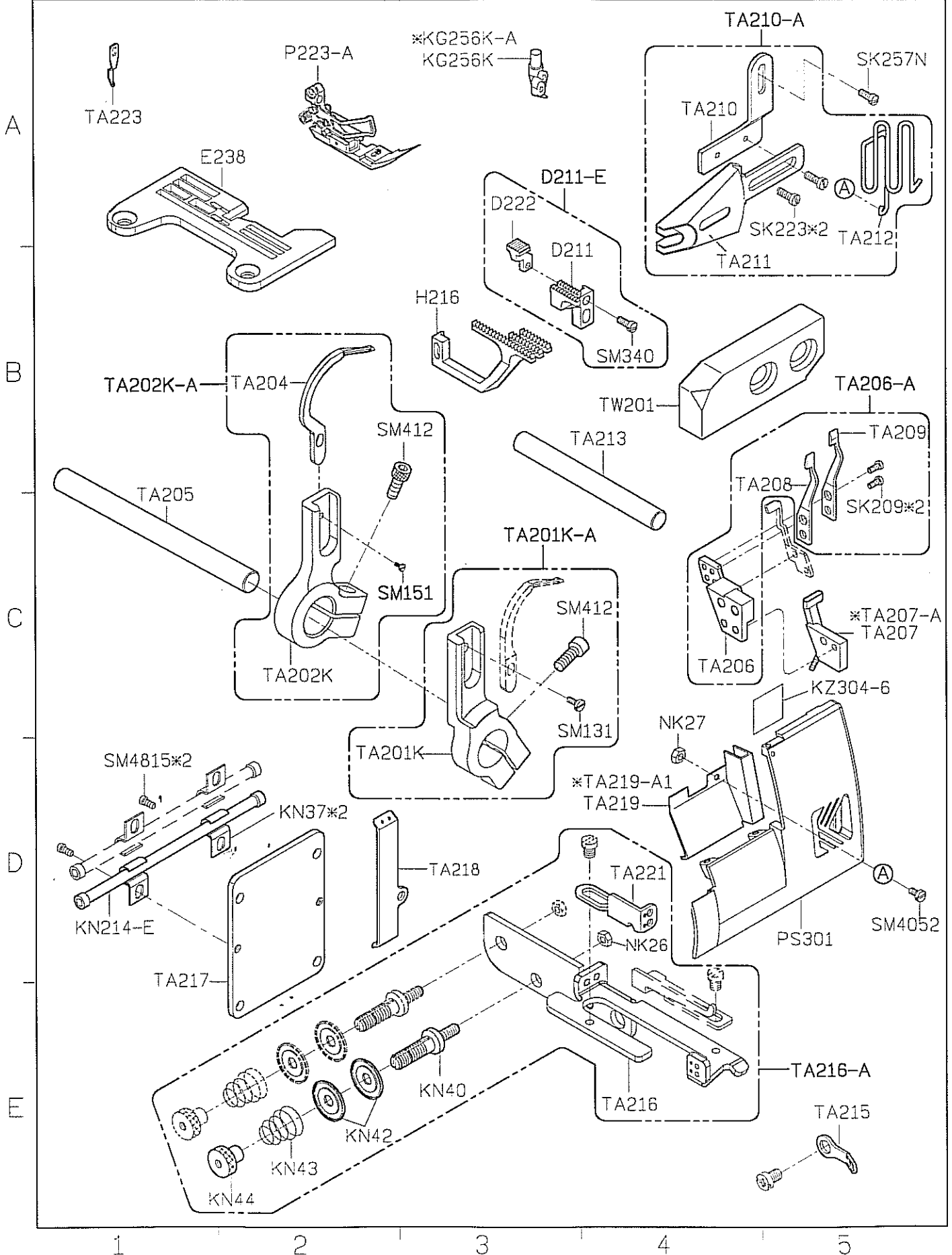
E

FOR GA/P

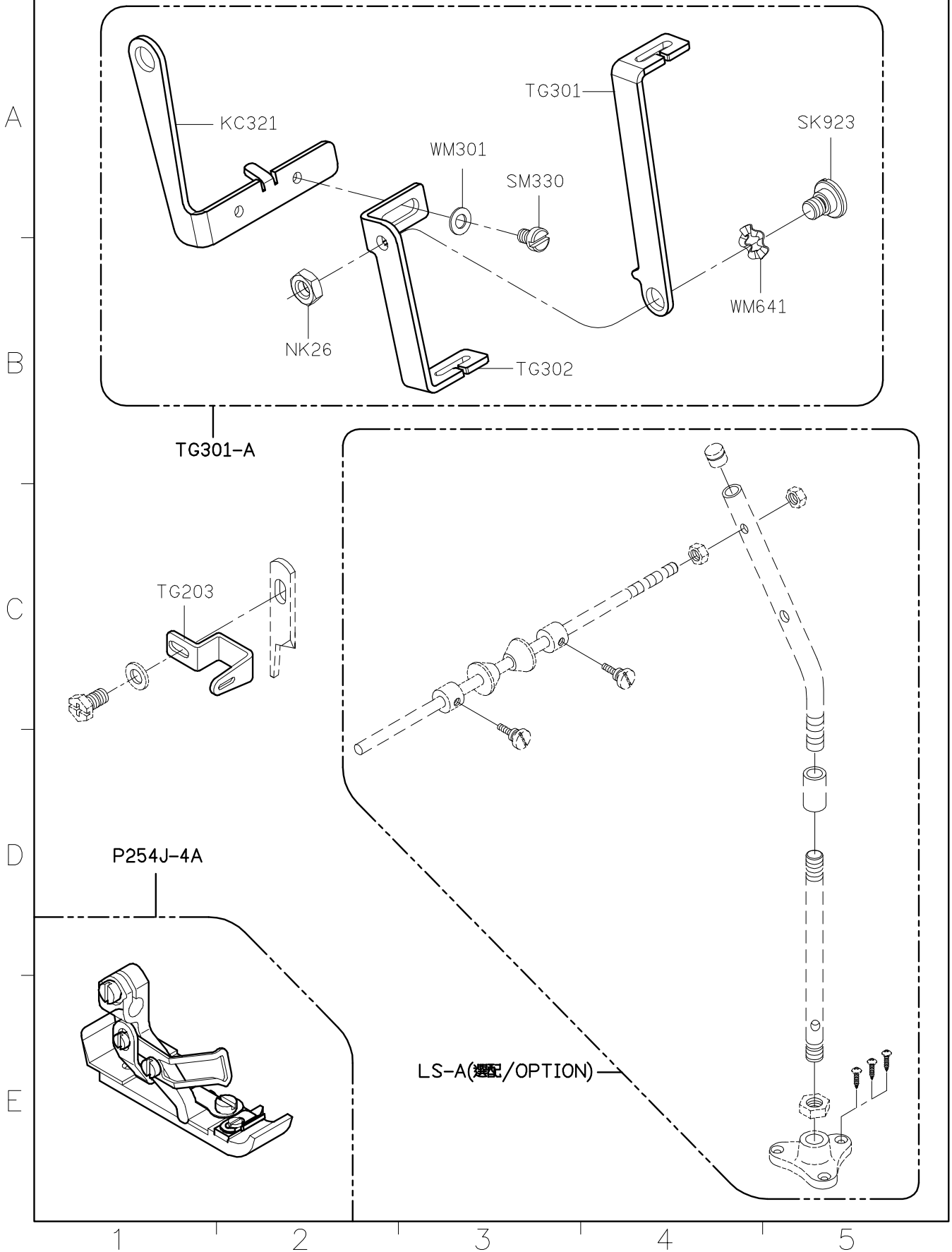
1 2 3 4 5

SIRUBA PARTS LIST	Series	Parts Group	Subclass / Remark	Page
	700Q/988Q	PS-Q	* : For Device Order	1/1
				Date 2012/08/30

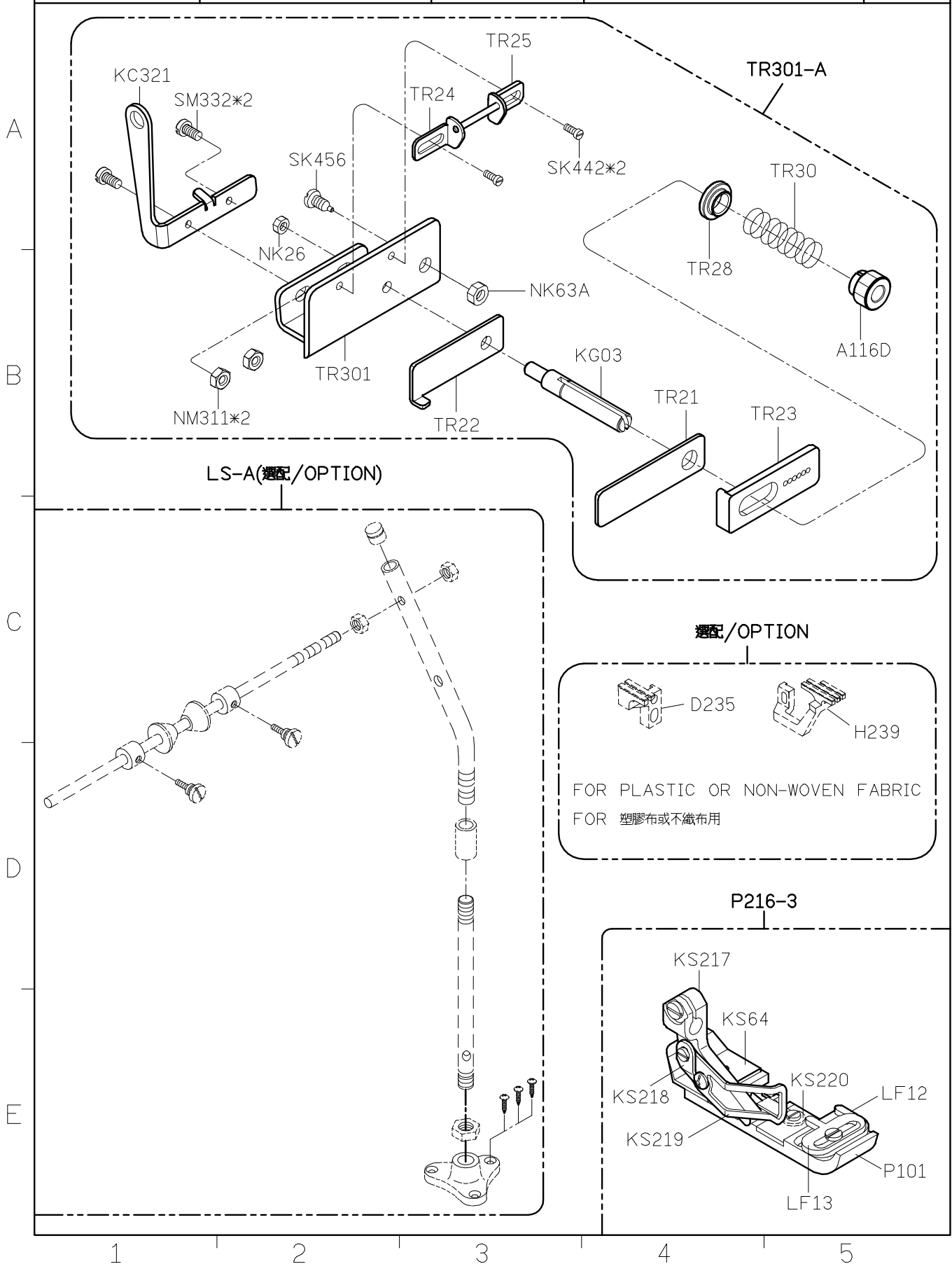




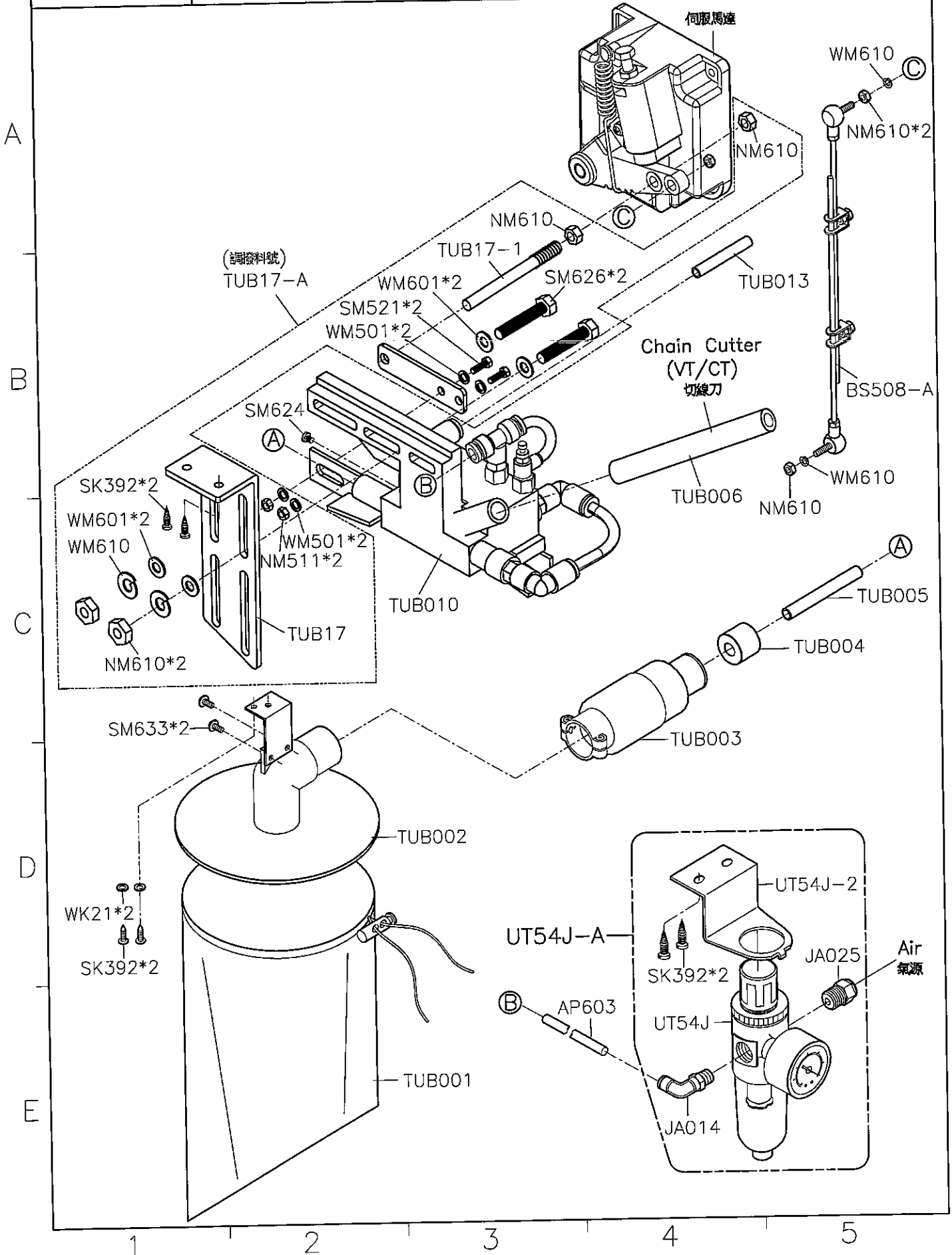
SIRUBA PARTS LIST	Series	Parts Group	Subclass / Remark	Page
	700Q/988Q	TG-Q		1/1
				Date
				2012/08/30



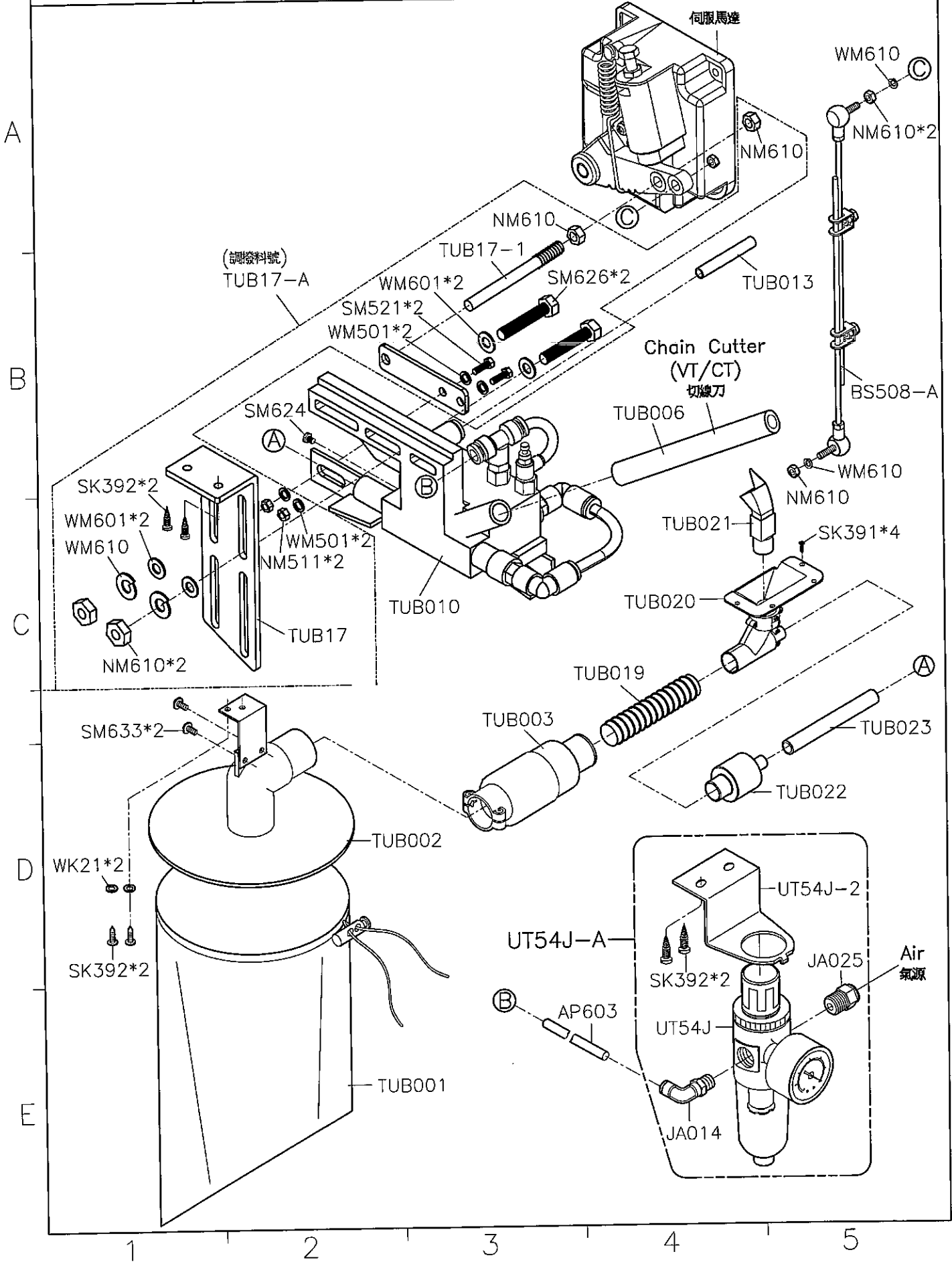
SIRUBA PARTS LIST	Series	Parts Group	Subclass / Remark	Page
	700Q/988Q	TR-Q		1/1
				Date
				2012/08/30



SIRUBA PARTS LIST	Series	Parts Group	Subclass / Remark	Page
	700Q/988Q	TUB5DS		1/1
				Date
				2013/05/08

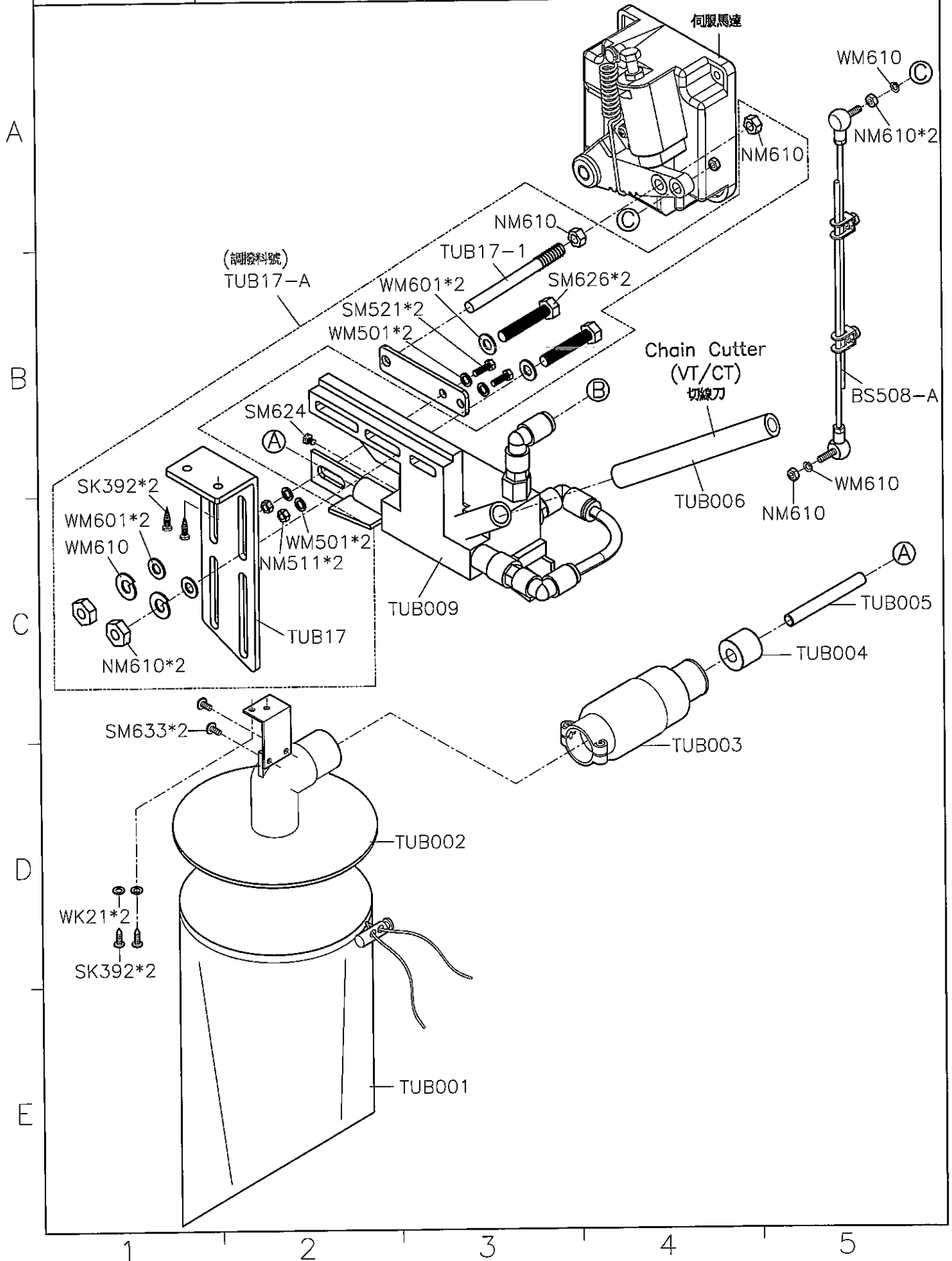


SIRUBA PARTS LIST	Series	Parts Group	Subclass / Remark	Page
	700Q/988Q	TUB6DS		1/1
				Date 2013/05/08

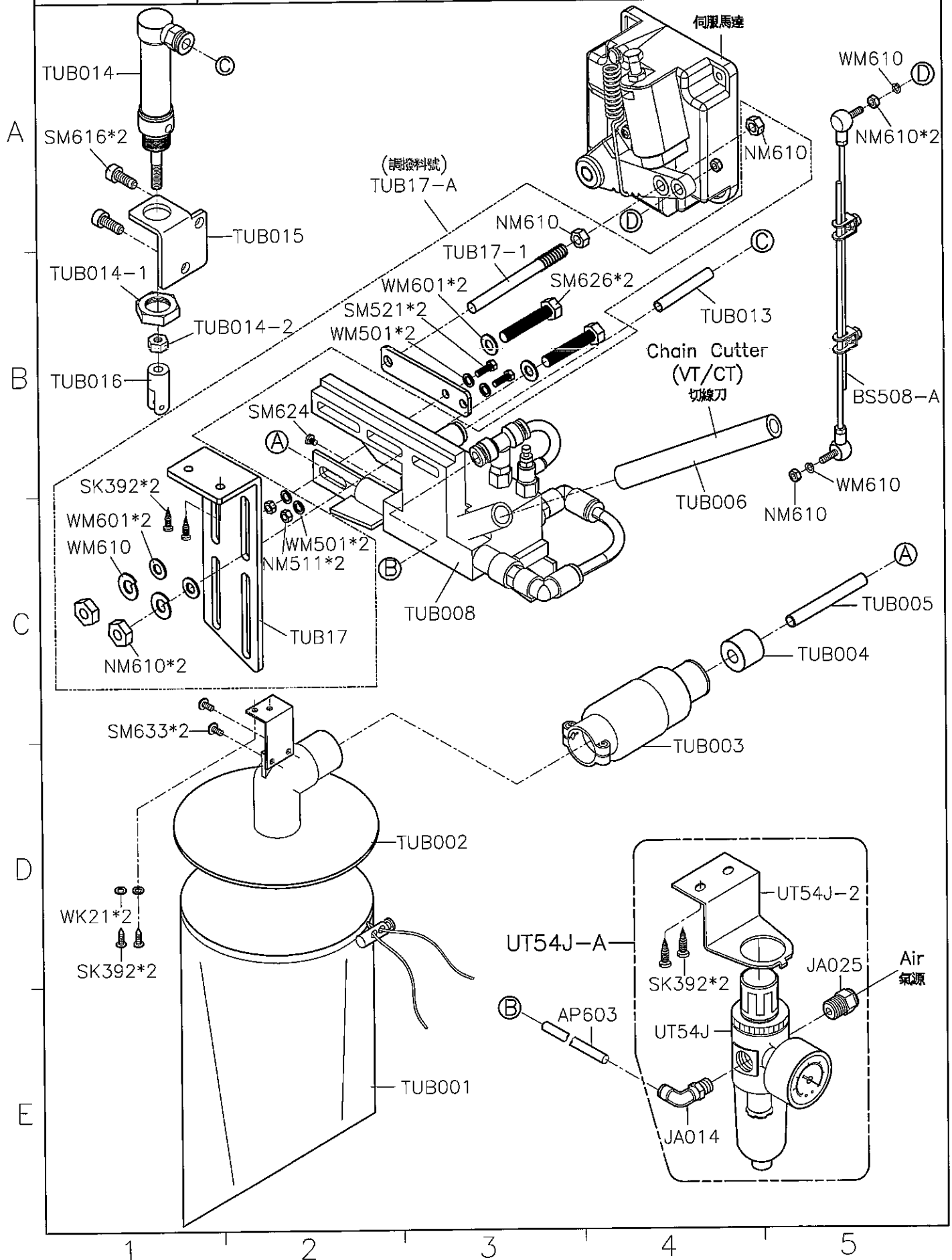




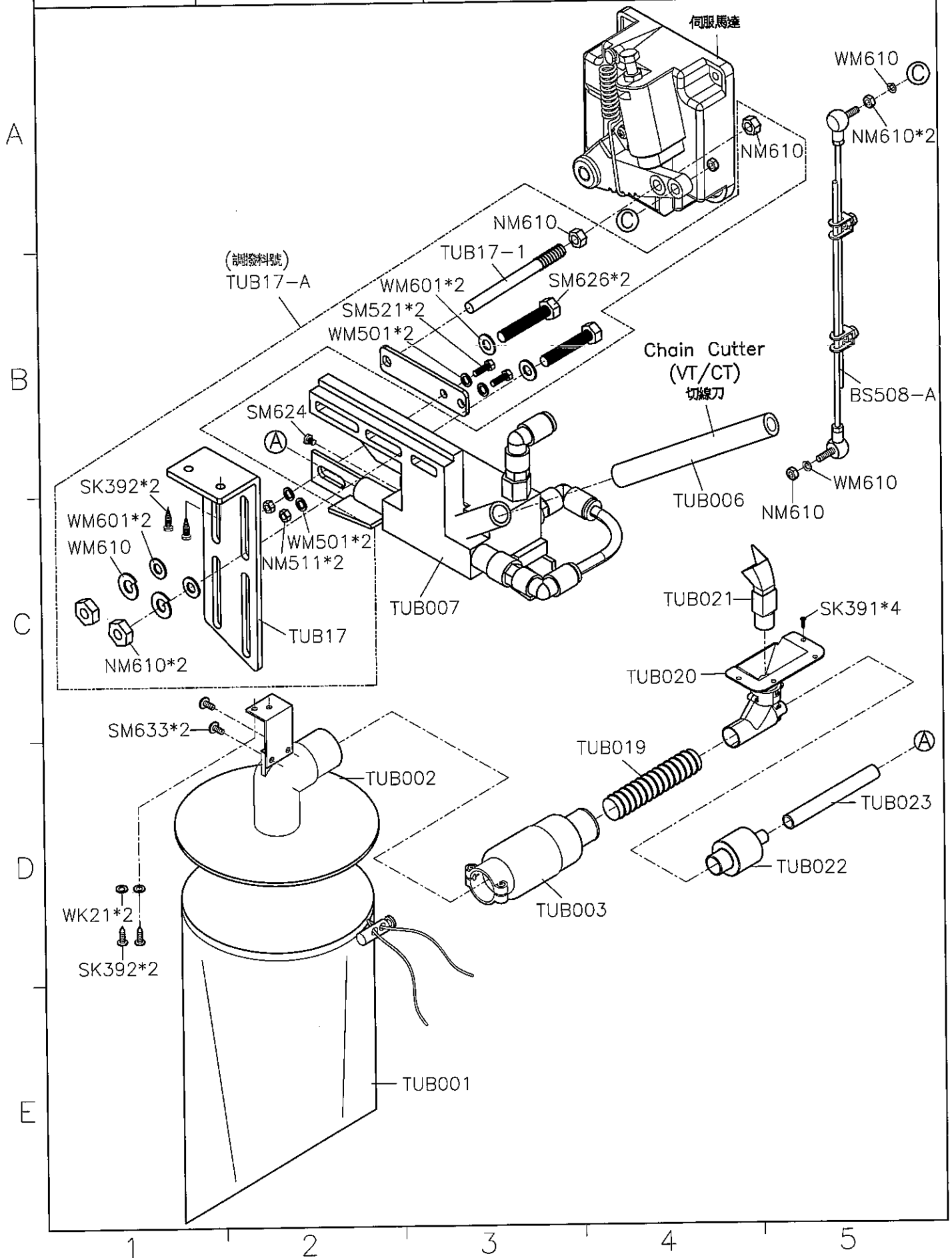
SIRUBA PARTS LIST	Series	Parts Group	Subclass / Remark	Page
	700Q/988Q	TUB7		1/1
				Date
				2013/05/08



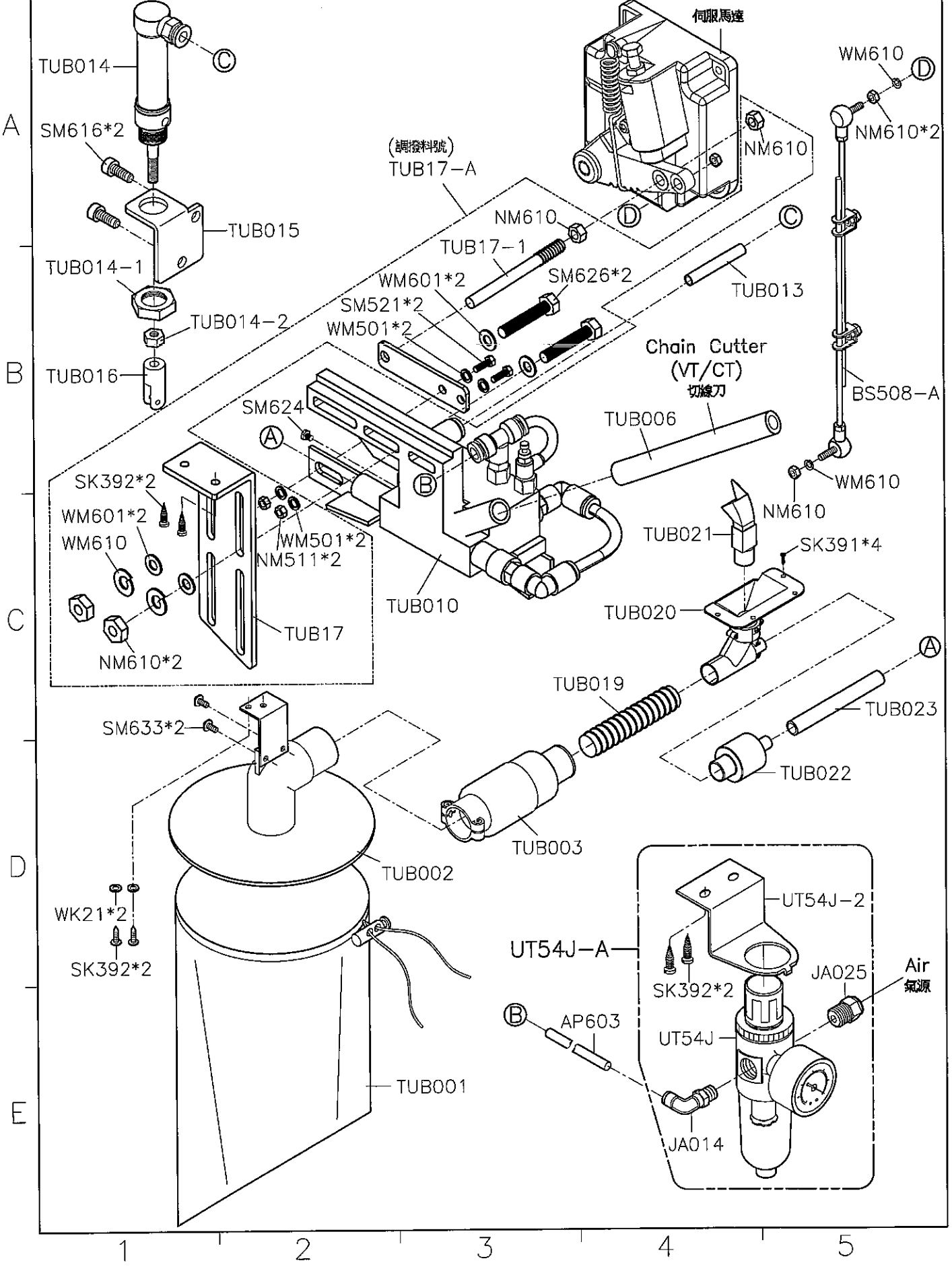
SIRUBA PARTS LIST	Series	Parts Group	Subclass / Remark	Page
	700Q/988Q	TUB8		1/1
				Date
				2013/05/08



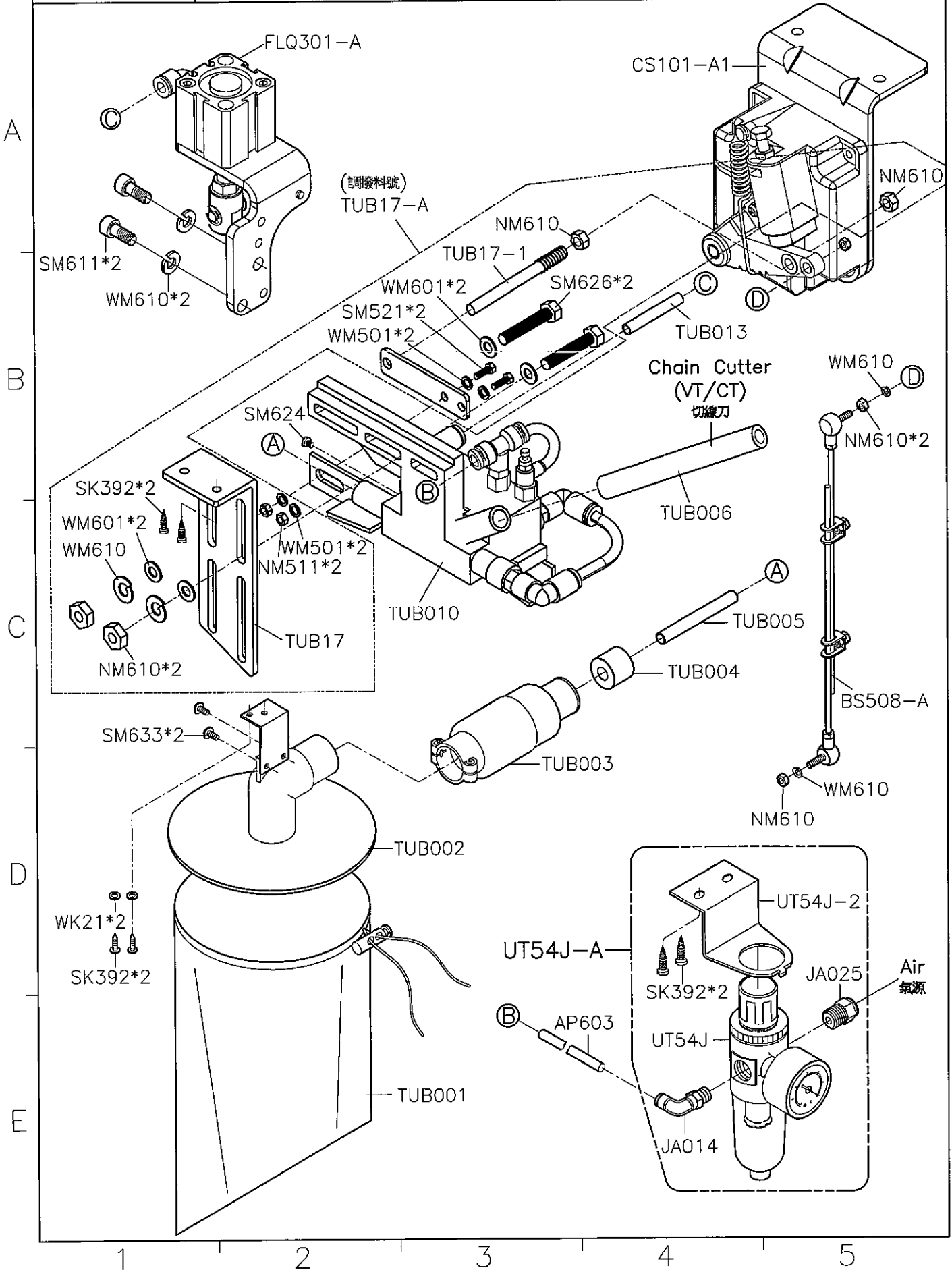
SIRUBA PARTS LIST	Series	Parts Group	Subclass / Remark	Page
	700Q/988Q	TUB9		1/1
				Date 2013/05/08



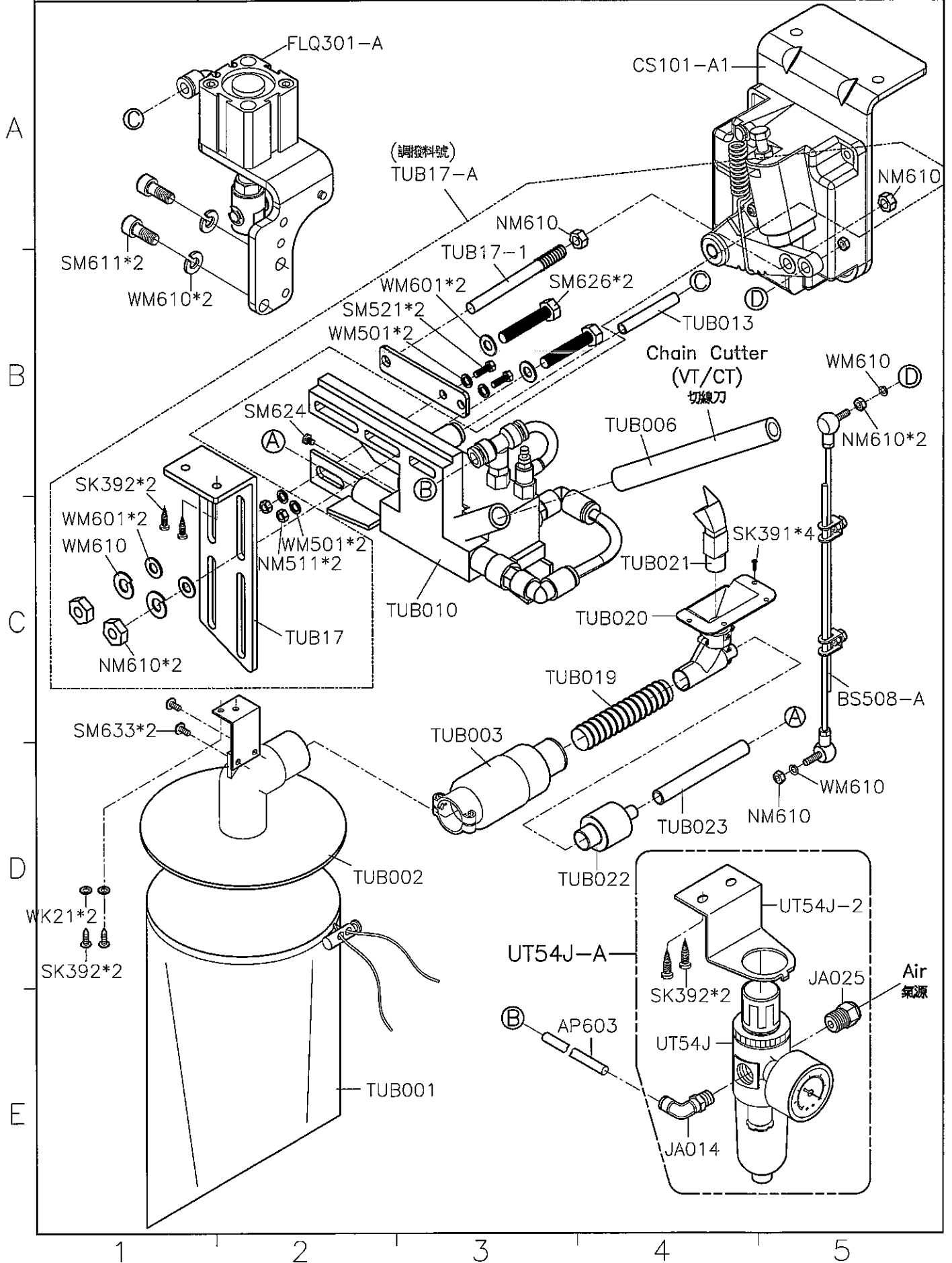
SIRUBA PARTS LIST	Series	Parts Group	Subclass / Remark	Page
	700Q/988Q	TUB10		1/1
				Date
				2013/05/08



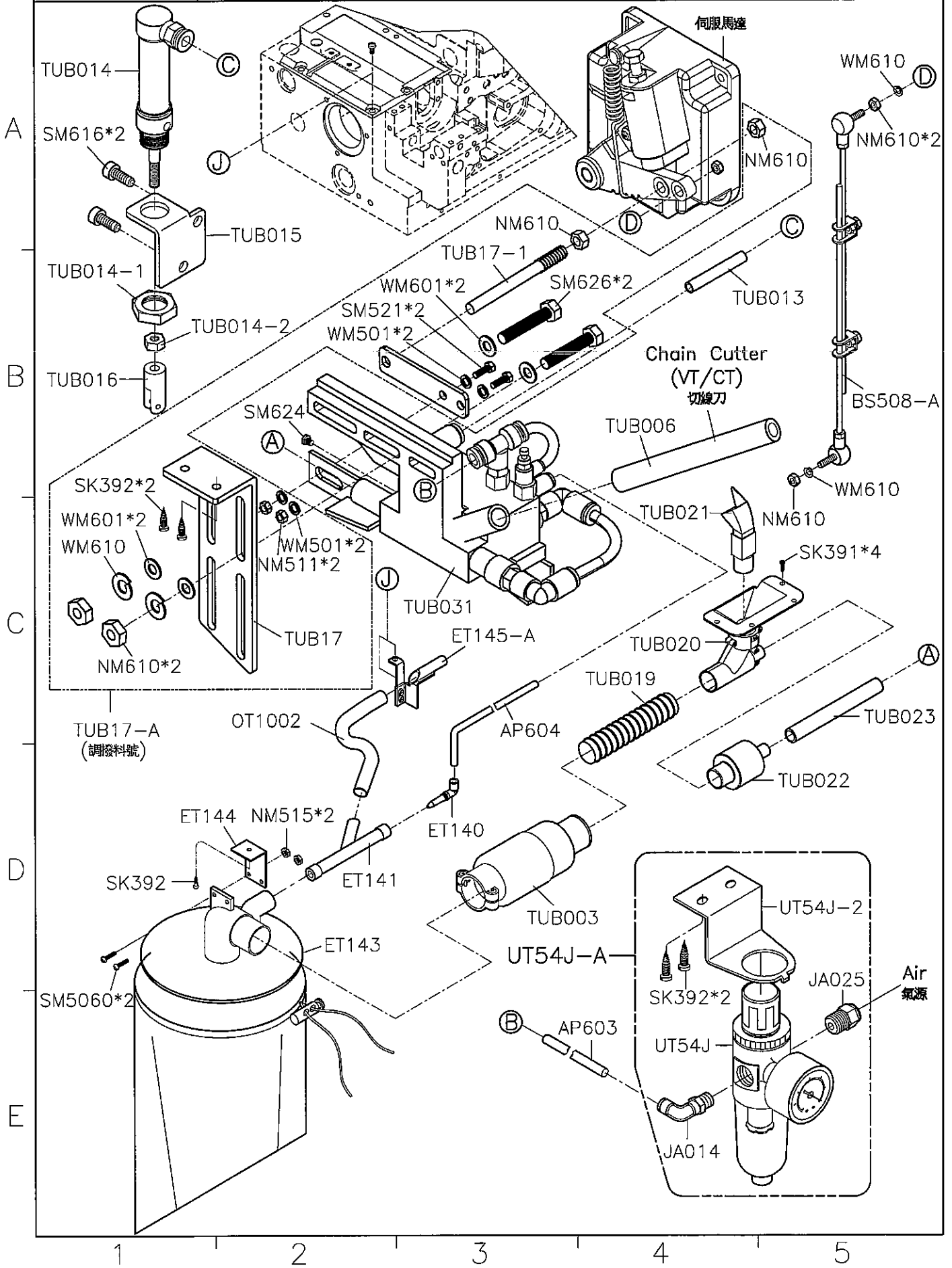
SIRUBA PARTS LIST	Series	Parts Group	Subclass / Remark	Page
	700Q/988Q	TUB11Q		1/1
				Date
				2013/05/08



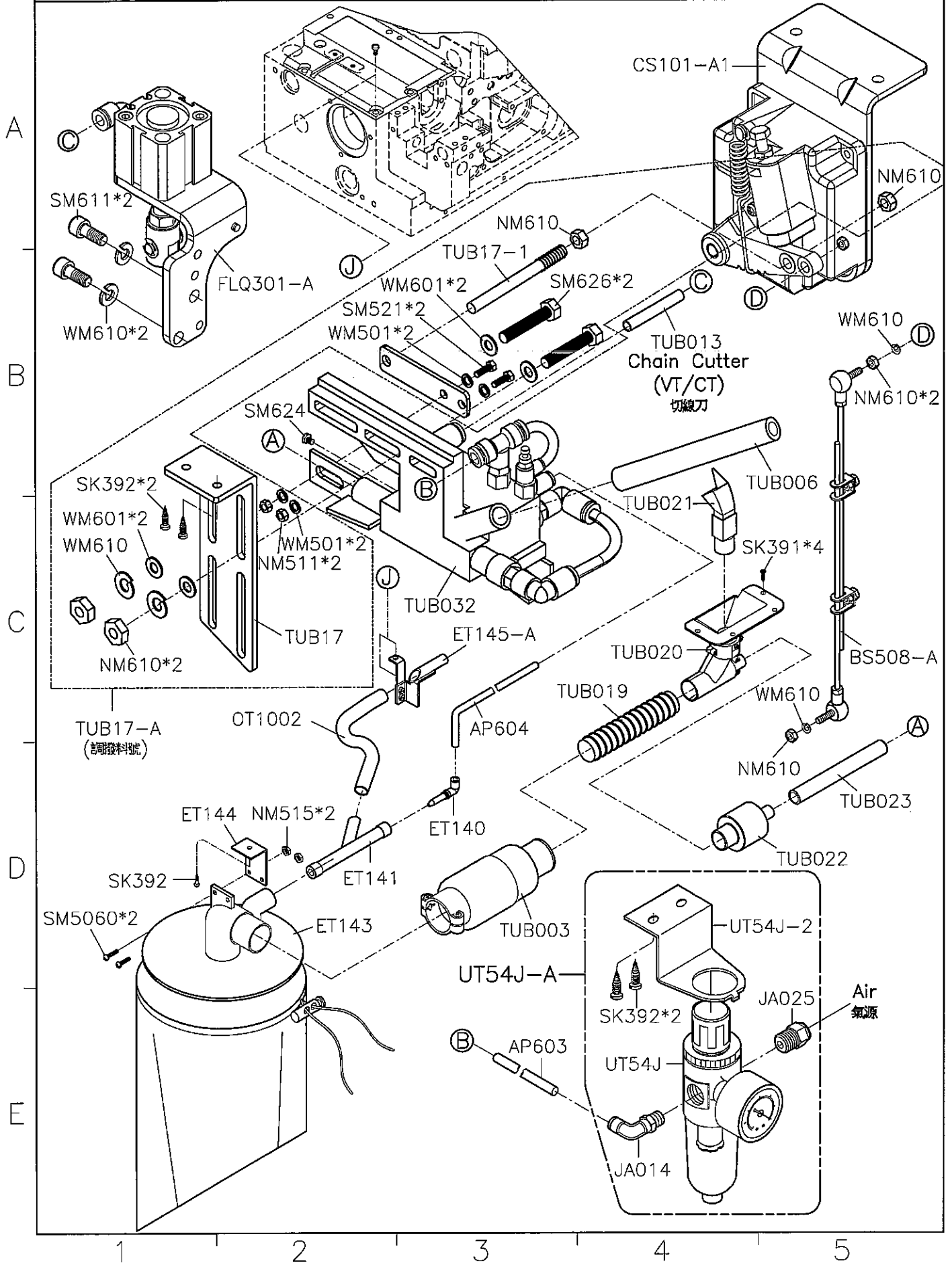
SIRUBA PARTS LIST	Series	Parts Group	Subclass / Remark	Page
	700Q/988Q	TUB12Q		1/1
				Date 2013/05/08



SIRUBA PARTS LIST	Series	Parts Group	Subclass / Remark	Page
	700K/988K	TUB14		1/1
				Date 2013/05/08



SIRUBA PARTS LIST	Series	Parts Group	Subclass / Remark	Page
	700Q/988Q	TUB15		1/1
				Date
				2013/05/08





<b>SIRUBA</b>  <b>PARTS LIST</b>	<b>Series</b>	<b>Parts Group</b>	<b>Subclass / Remark</b>	<b>Page</b>
	<b>700Q/988Q</b>	<b>TW-K</b>		1/1
				<b>Date</b>
				2012/10/04

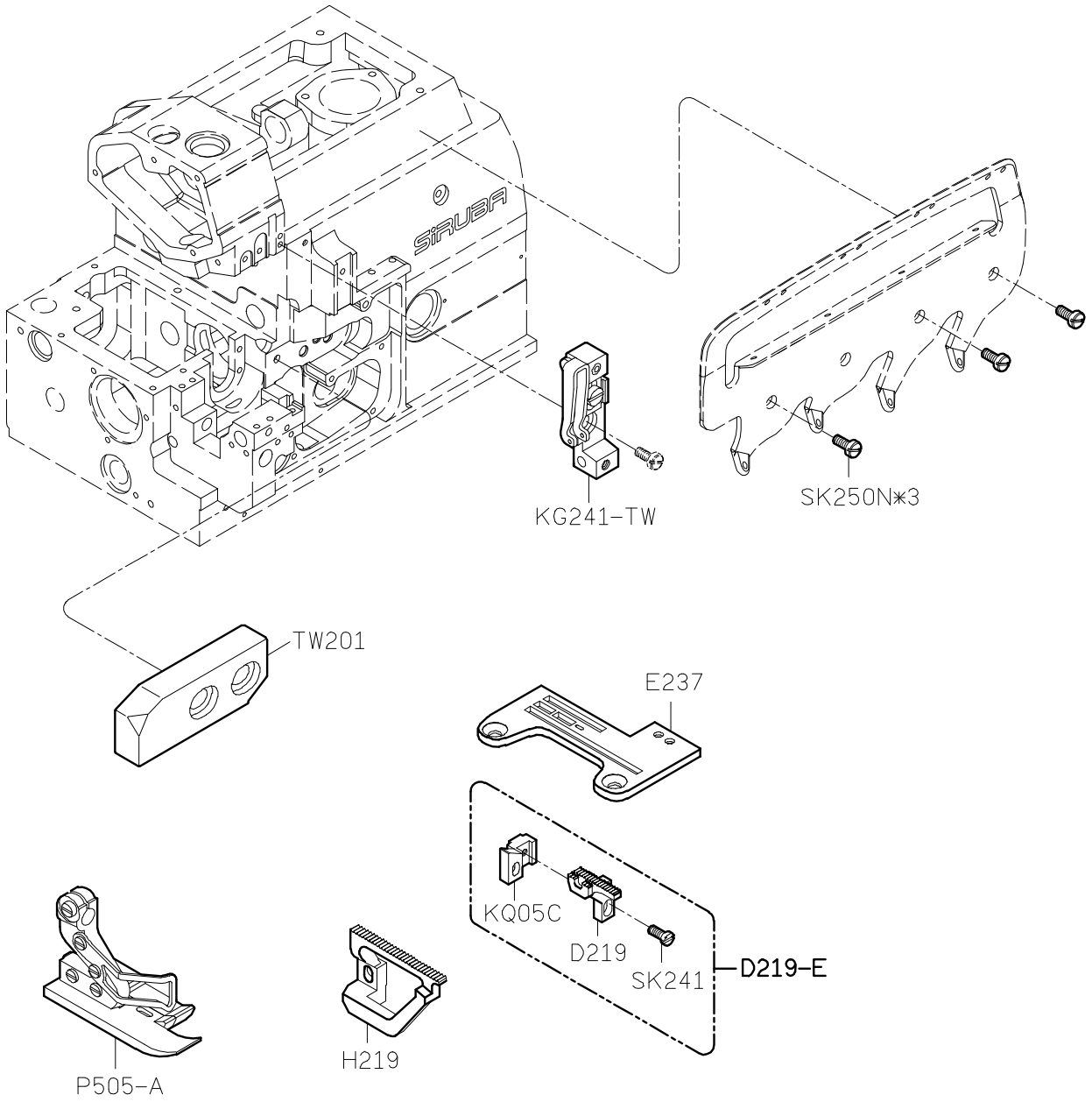
A

B

C

D

E



**P506-A**  
● 客户選購/OPTIONAL

PARTS NO	GAUGE
P506-2	5
P506-3	6

1

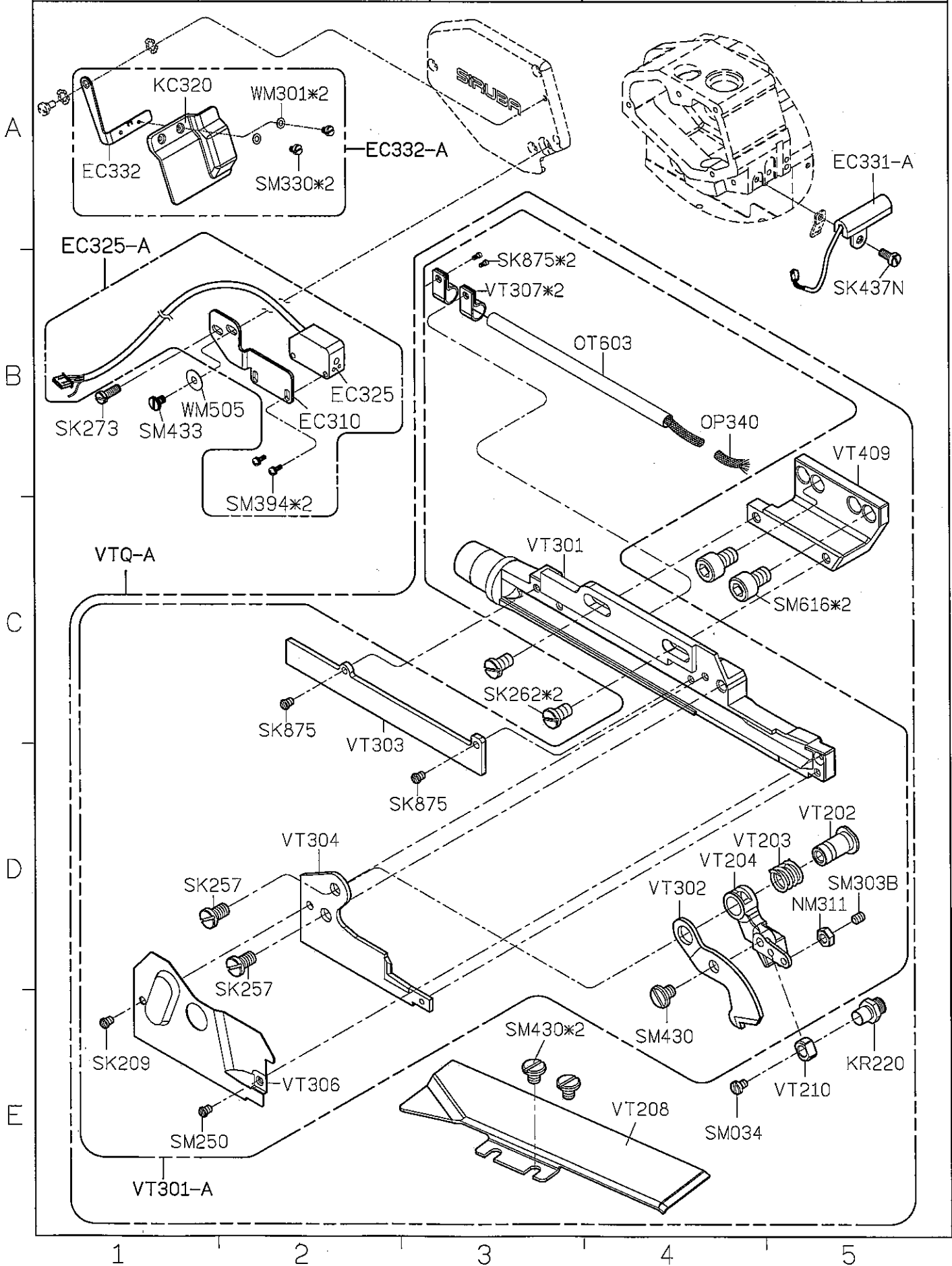
2

3

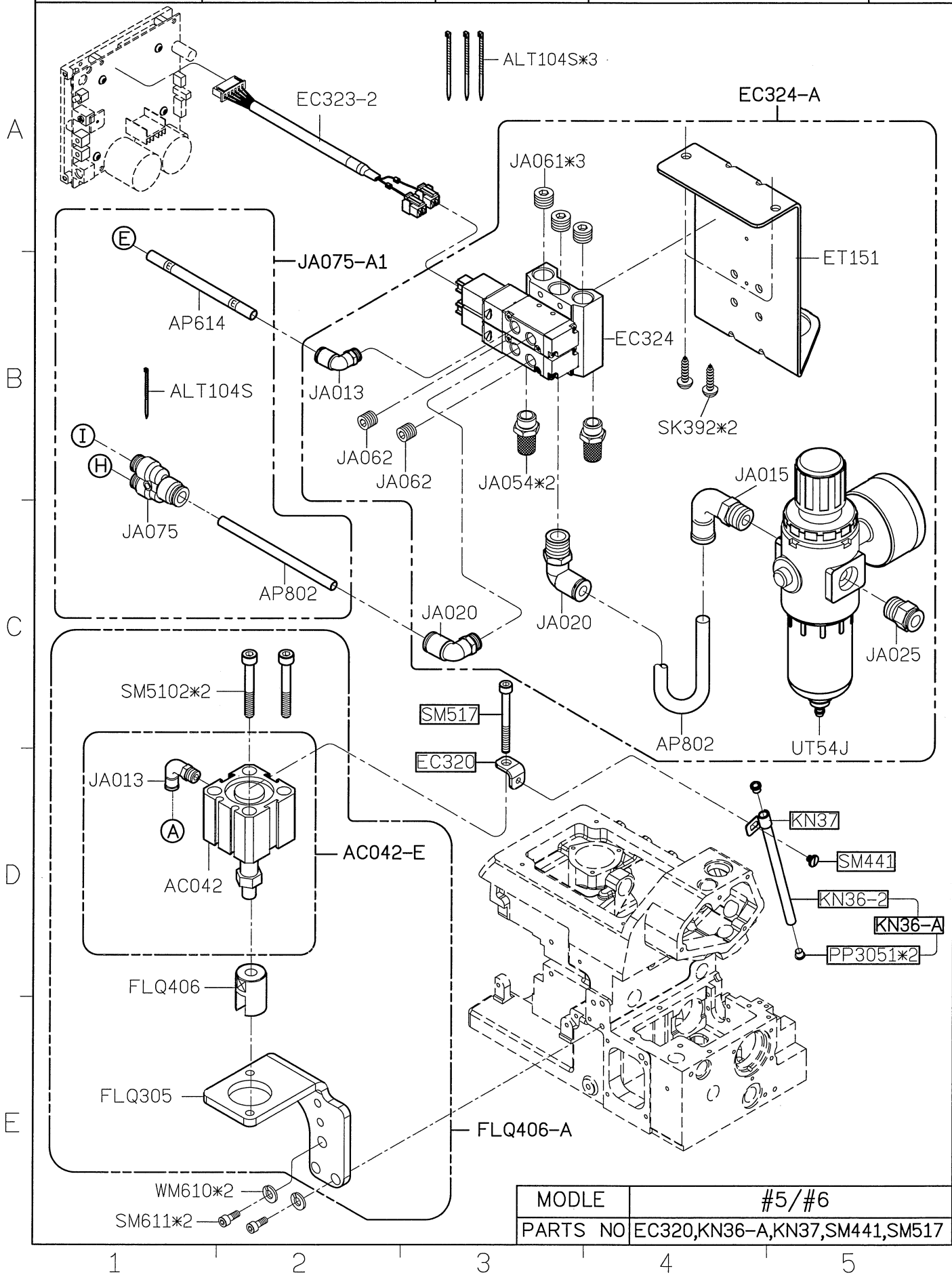
4

5

SIRUBA PARTS LIST	Series	Parts Group	Subclass / Remark	Page
	700Q/988Q	VTE		1/3
				Date
				2014/01/03



<b>SIRUBA</b>  PARTS LIST	Series	Parts Group	Subclass / Remark	Page
	700Q/988Q	VTE		2/3
				Date
				2014/07/24



<b>SIRUBA</b>  <b>PARTS LIST</b>	Series	Parts Group	Subclass / Remark	Page
				3/3
	700Q/988Q	VTE		Date
				2012/10/04

A

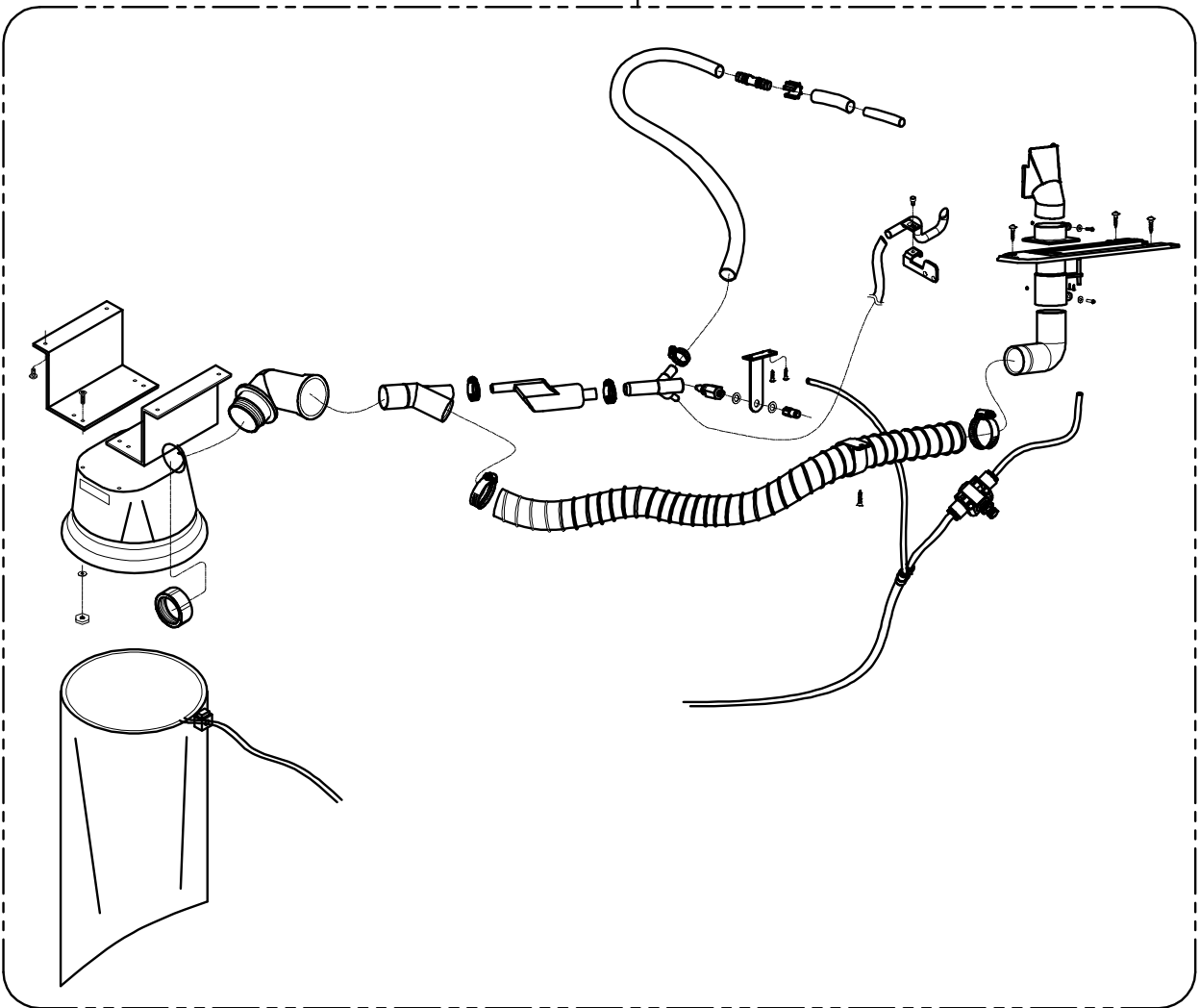
B

C

D

E

TUA-35



1

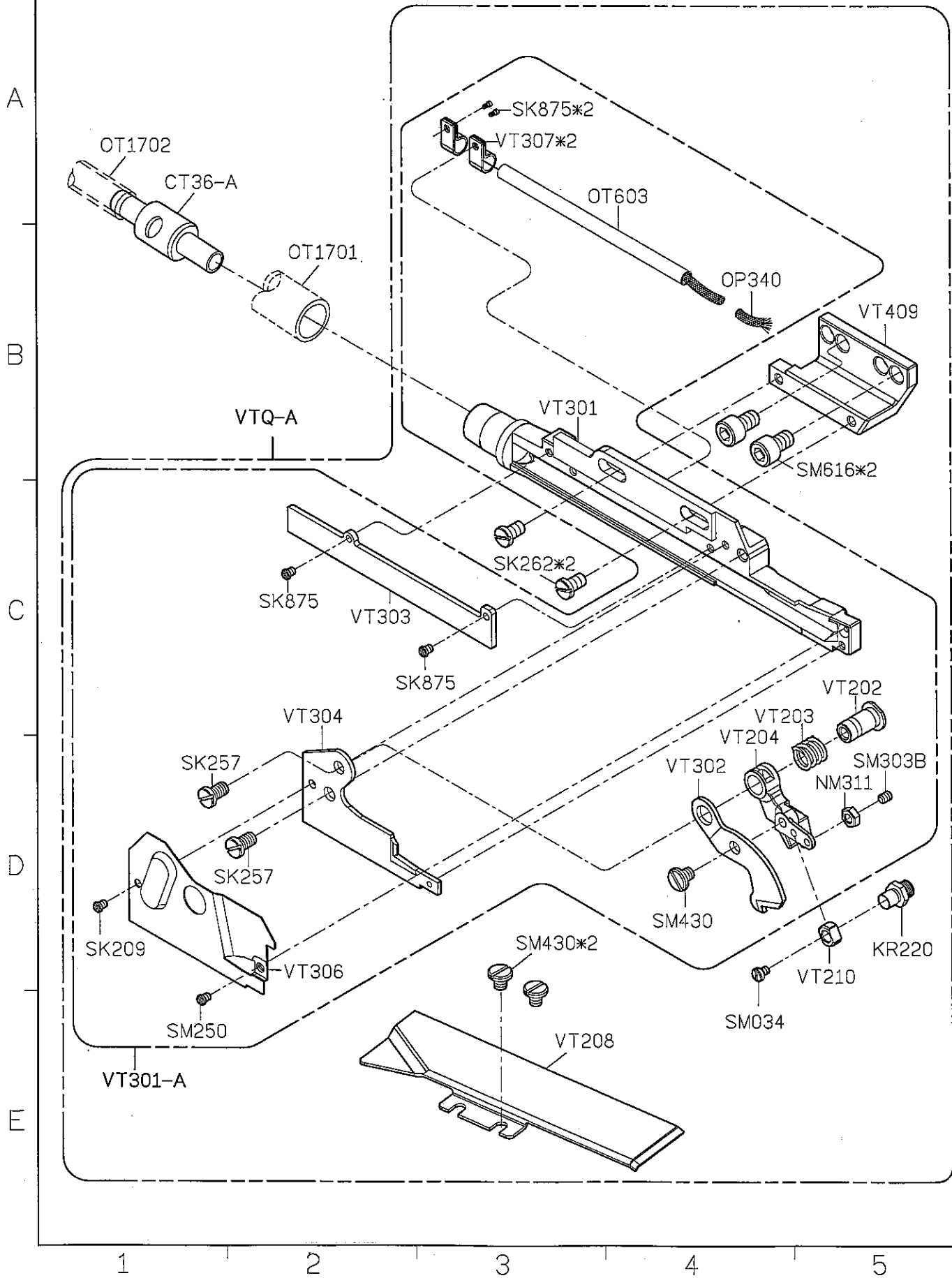
2

3

4

5

SIRUBA PARTS LIST	Series	Parts Group	Subclass / Remark	Page
	700Q/988Q	VT-Q		1/1
				Date
				2014/01/03



**SIRUBA****TABLE  
CUT - OUT****Series****700Q/988Q****Item Code****TB301Q****Subclass / Remark**

- For All 700Q series excluding BK , BKS models
- Used with 700Q-T1

**Mounting**

Fully-submerged

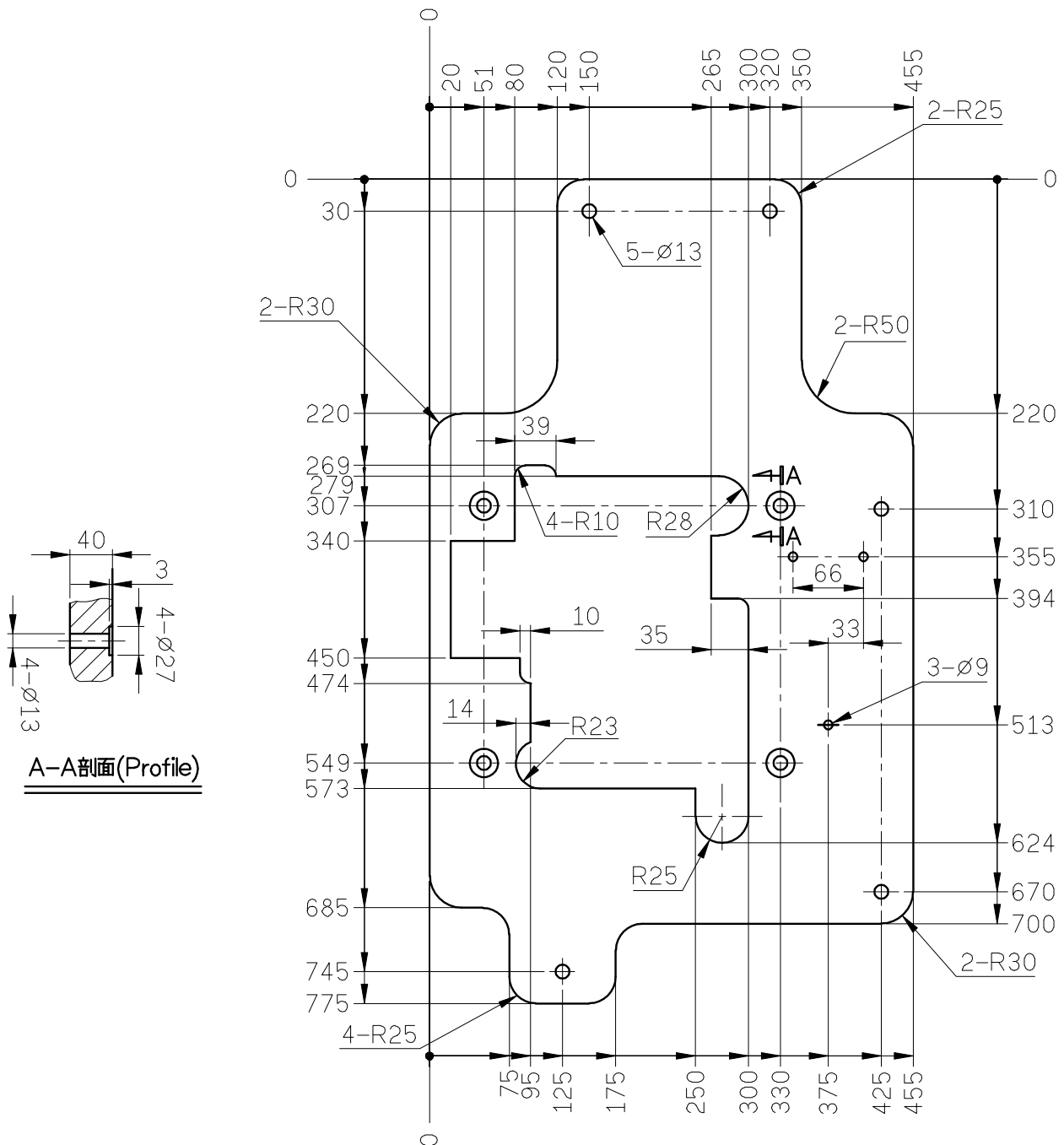
**Date**

2012/08/30

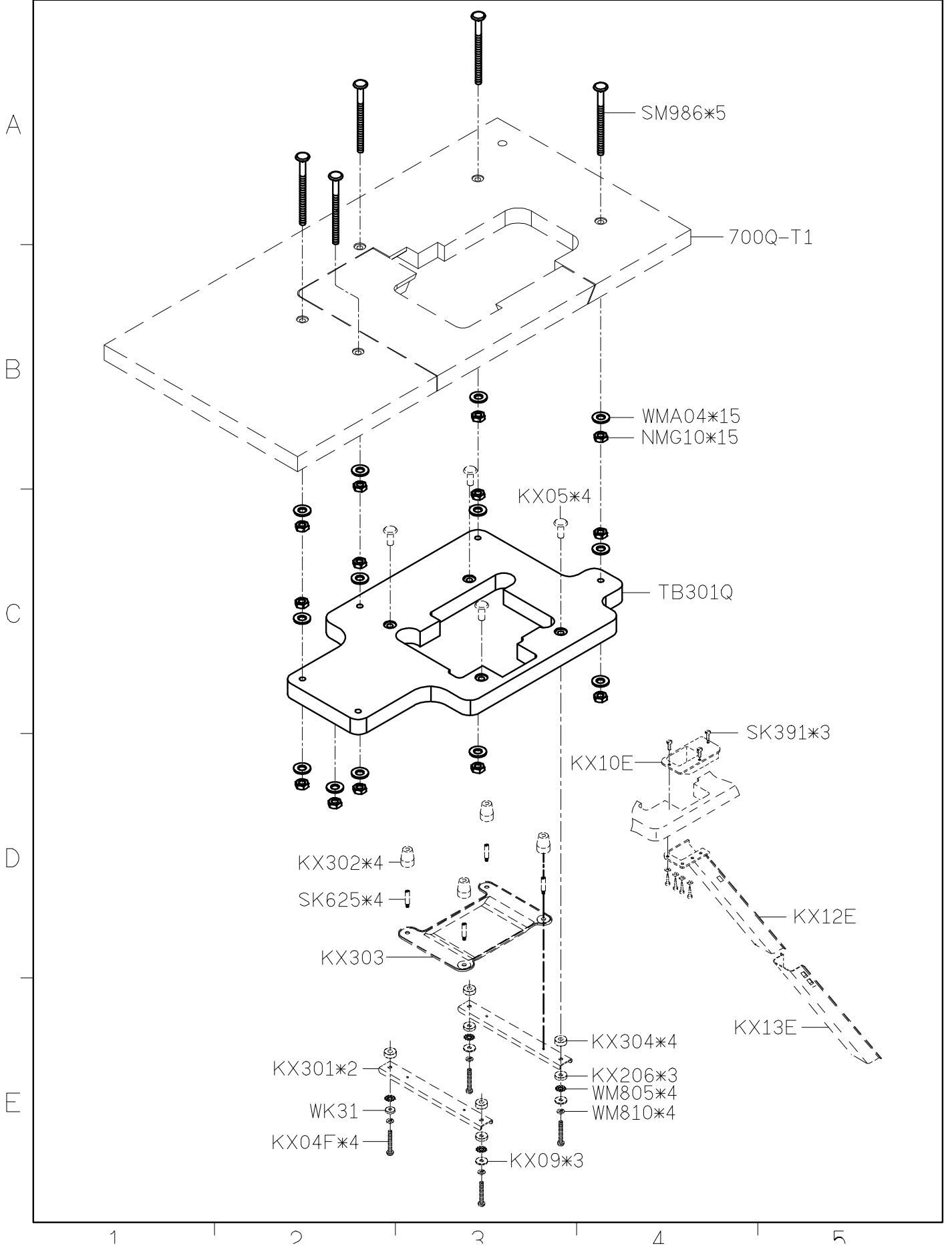
單位/UNIT:mm

所有尺寸公差/TOLERANCE:±2

重量(W):4.25Kg±5%



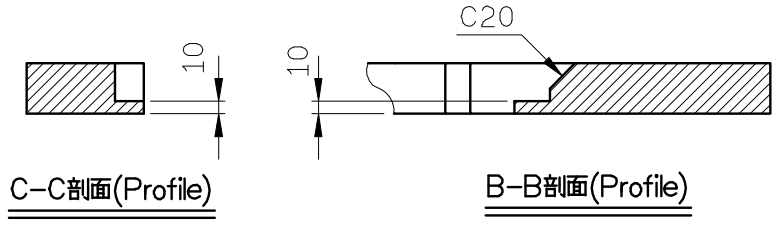
SIRUBA PARTS LIST	Series	Parts Group	Subclass / Remark	Page
	700Q/988Q	TB-Q1		1/1
				Date
				2012/10/26



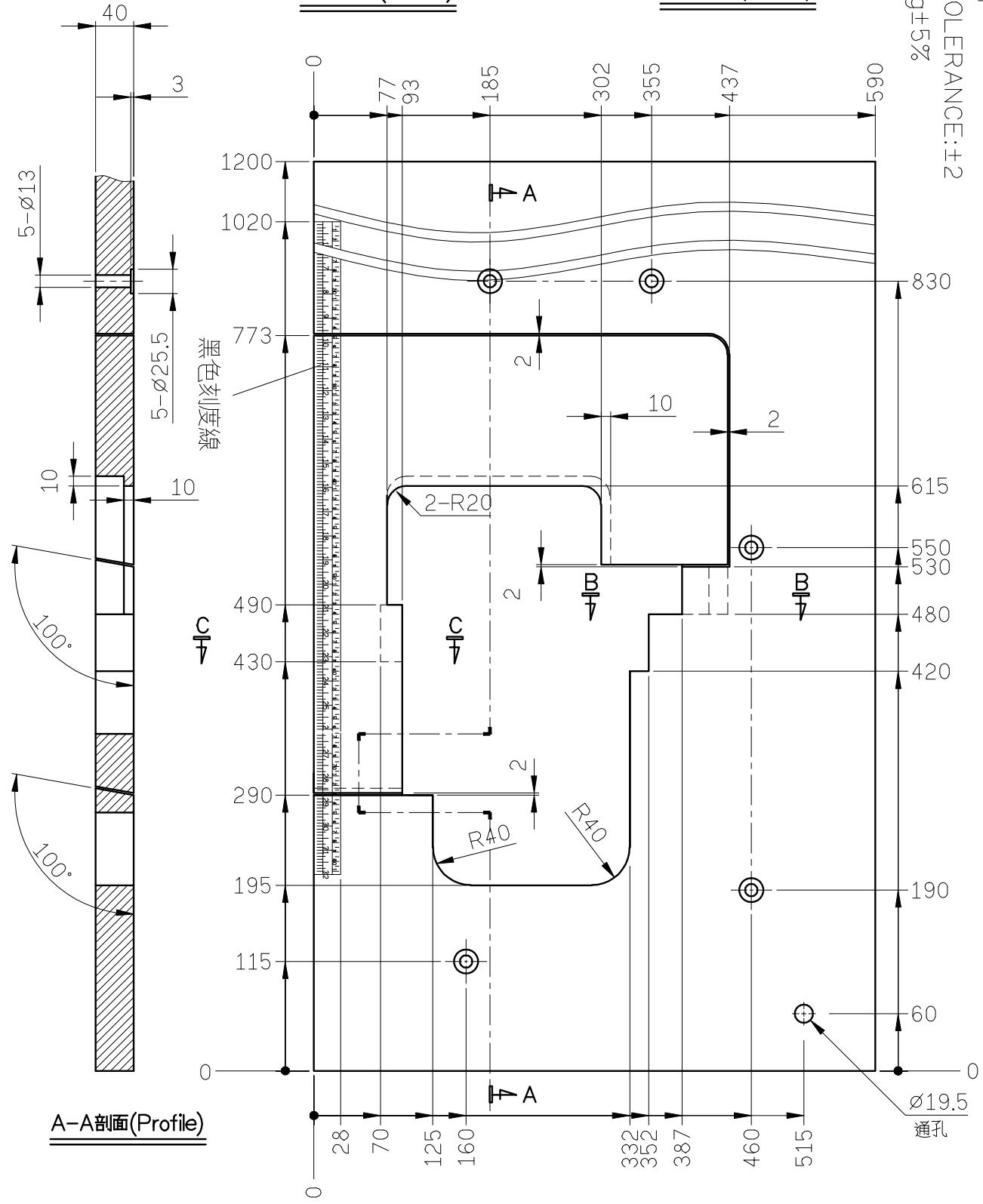
**SIRUBA**

**TABLE  
CUT - OUT**

Series	Item Code	Subclass / Remark	Mounting
700Q/988Q	700Q-T1	<ul style="list-style-type: none"> <li>• For All 700Q series excluding BK, BKS models</li> <li>• Used with TB301Q</li> </ul>	Fully-submerged
			Date
			2012/10/31



單位 / UNIT: mm  
 所有尺寸公差 / TOLERANCE: ±2  
 重量(W): 12.4Kg ± 5%





**SIRUBA**

**TABLE  
CUT - OUT**

**Series**

**700Q/988Q**

**Item Code**

**700Q-T**

**Subclass Remark**

**UNIT: mm  
TOLERANCE:  $\pm 2$   
WEIGHT: 11.3 kg  $\pm 5\%$**

**Mounting**

**Mon-submerged**

**Date**

**2012/09/17**

