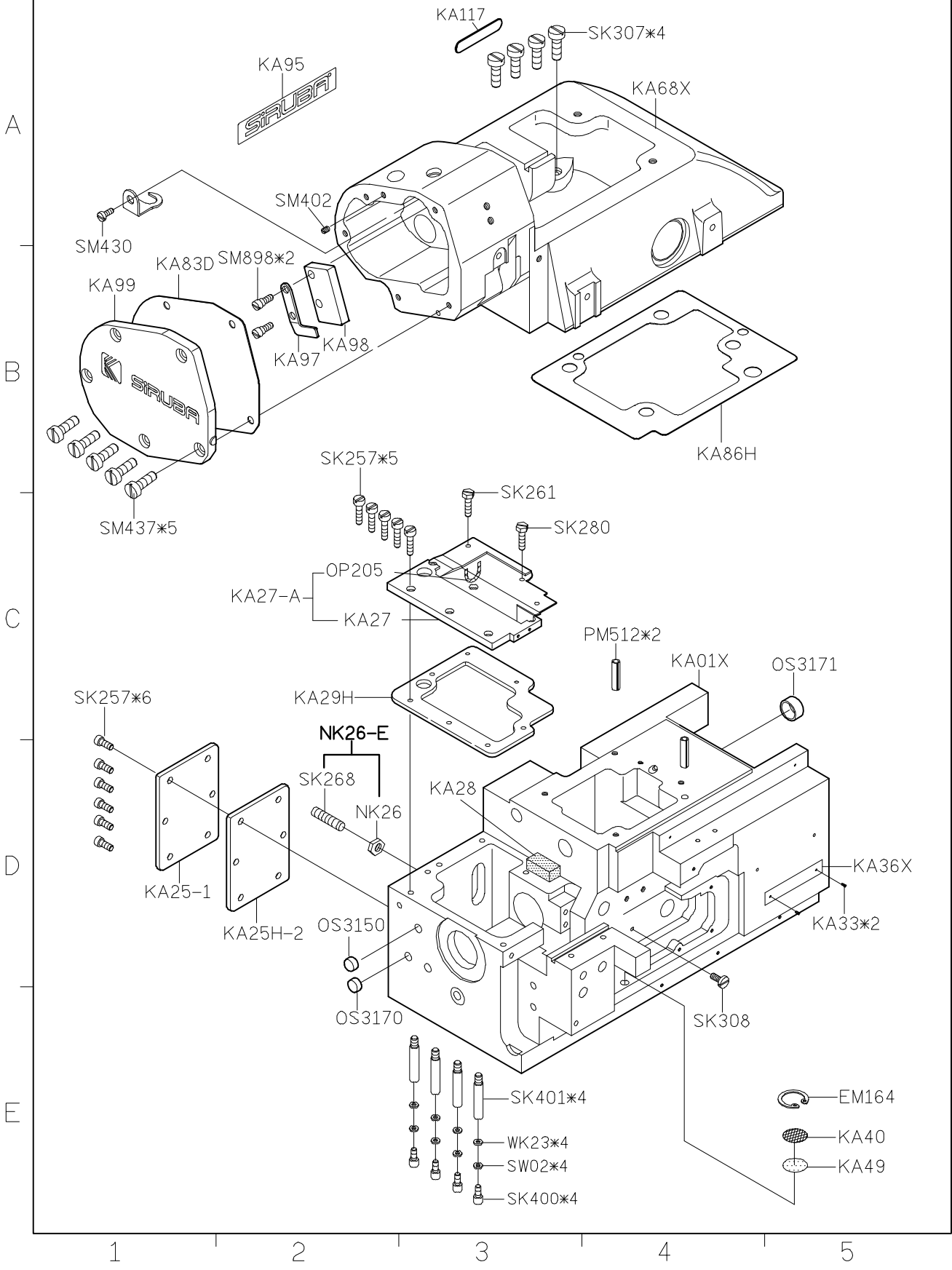
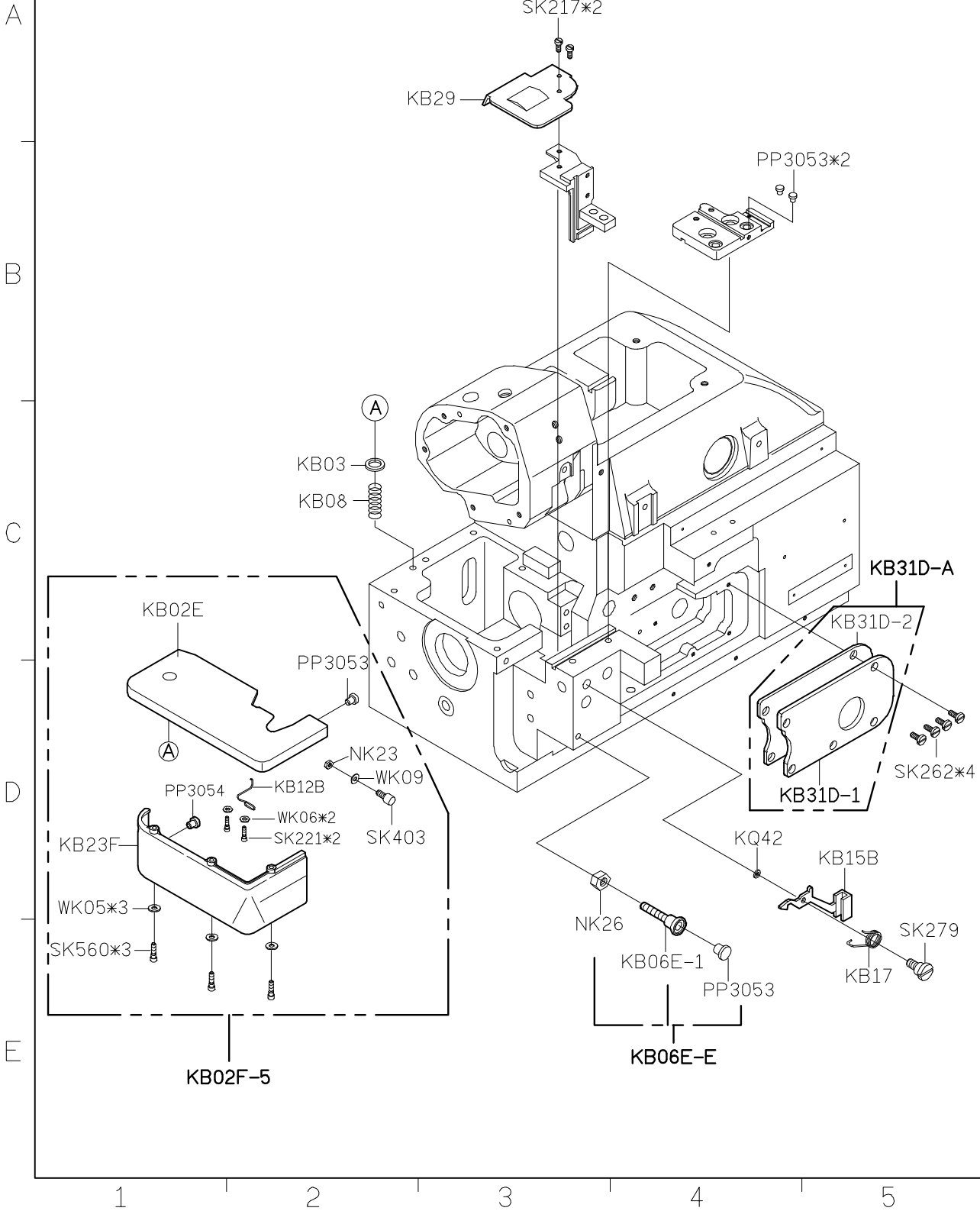


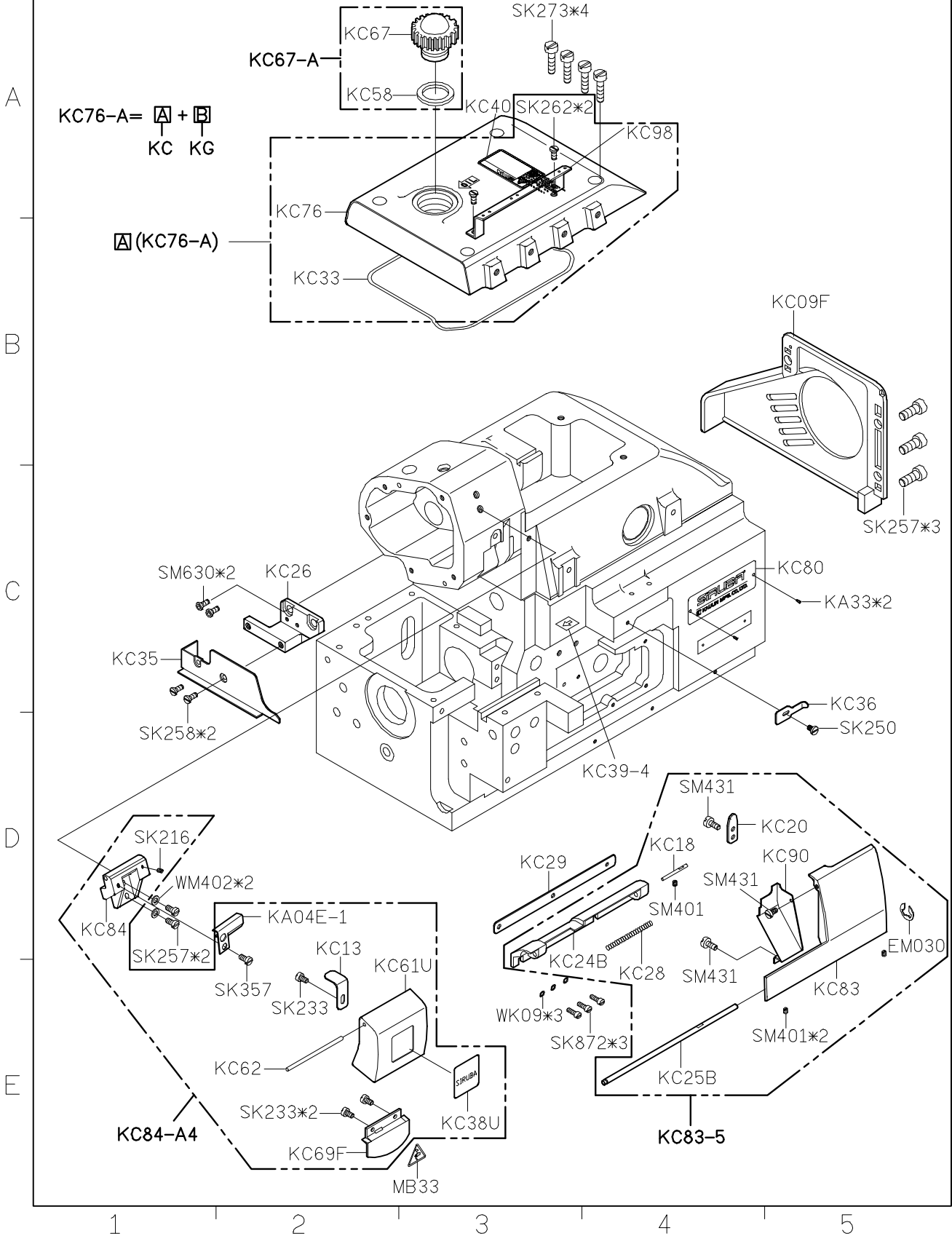
SIRUBA PARTS LIST	Series	Parts Group	Subclass Remark	Page
	700UX	KA		1/1
				Date
				2012/08/20



SIRUBA PARTS LIST	Series	Parts Group	Subclass Remark	Page
	700UX	KB		1/1
				Date
				2012/08/20



SIRUBA PARTS LIST	Series	Parts Group	Subclass Remark	Page
	700UX	KC		1/1
				Date
				2012/08/20



SIRUBA PARTS LIST	Series	Parts Group	Subclass Remark	Page
	700UX	KD		1/1
				Date
				2012/08/20

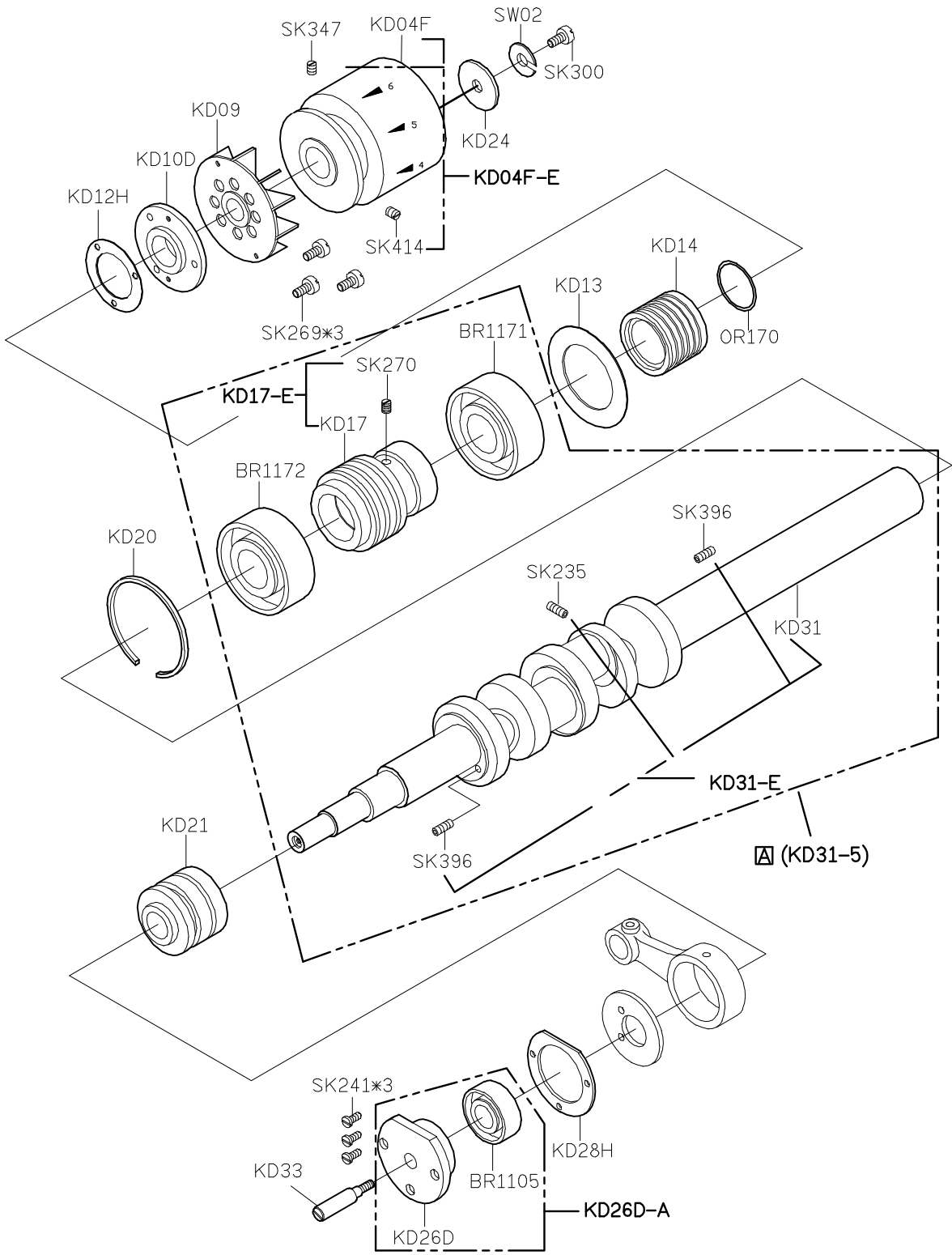
A

B

C

D

E



KD31-5 = □ + B + KJ11B-A + KL09B-A + KM27D-C + KN01-C + KN08-A + KP21F-C + KQ37-C + KQ47
 KD KQ

1

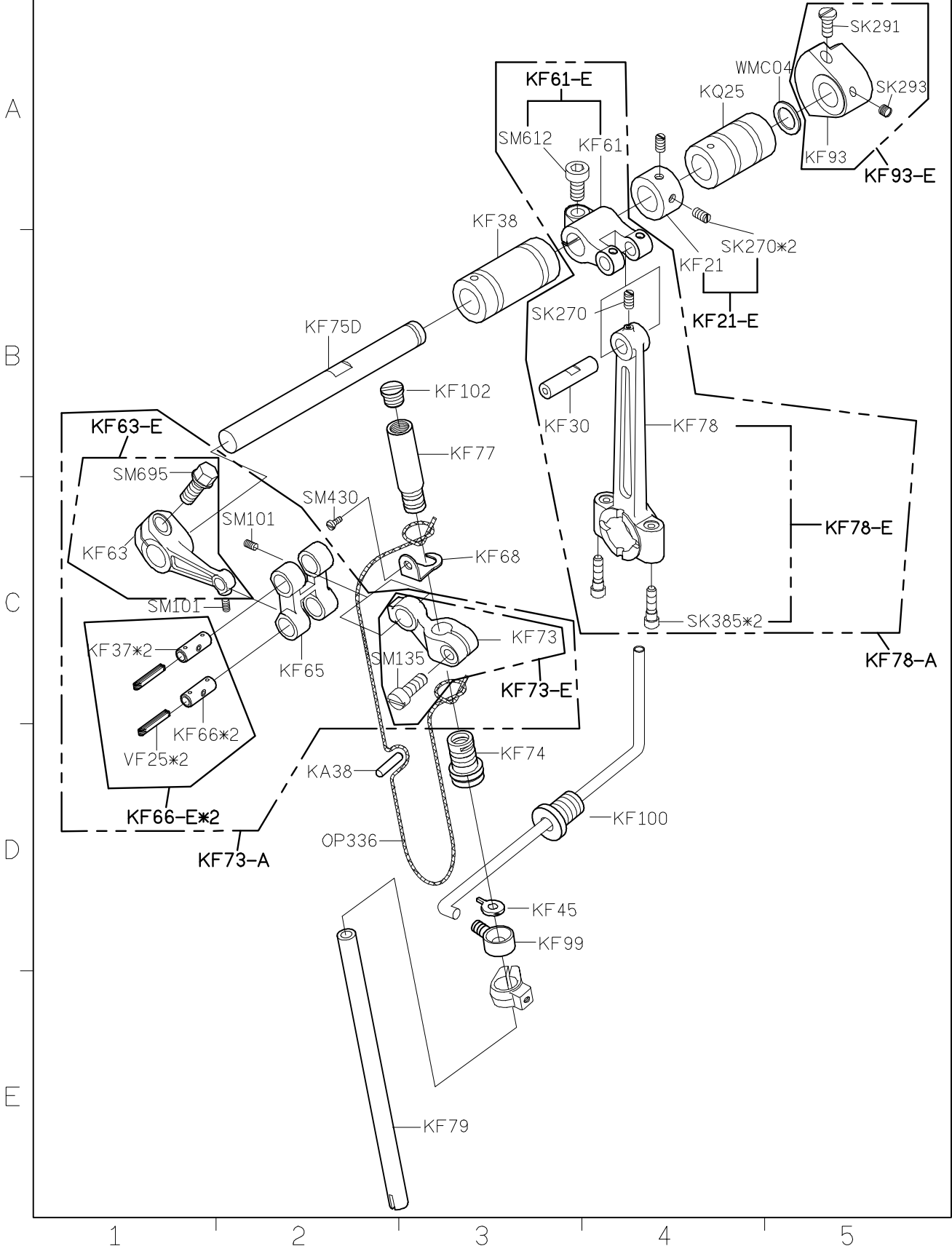
2

3

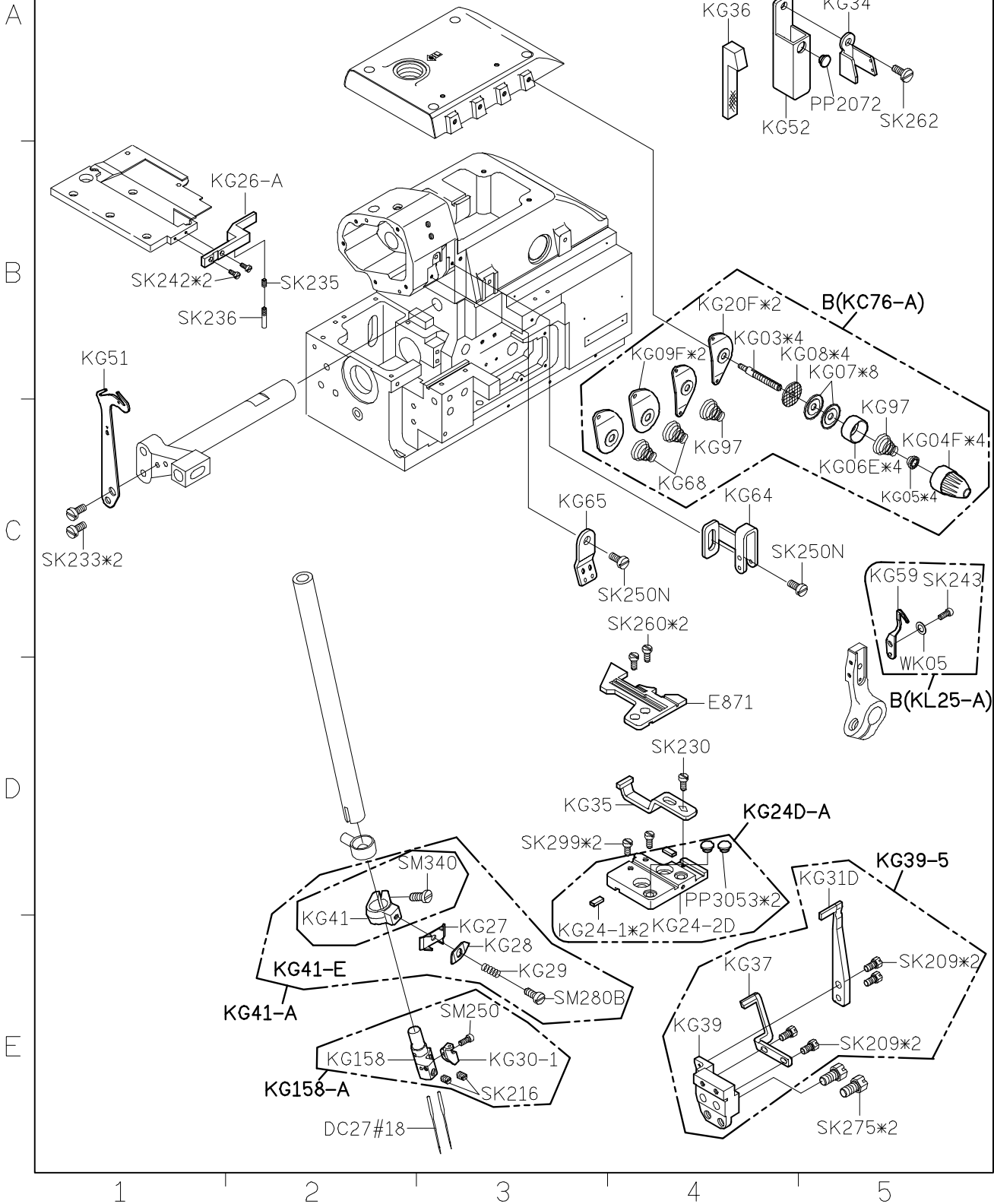
4

5

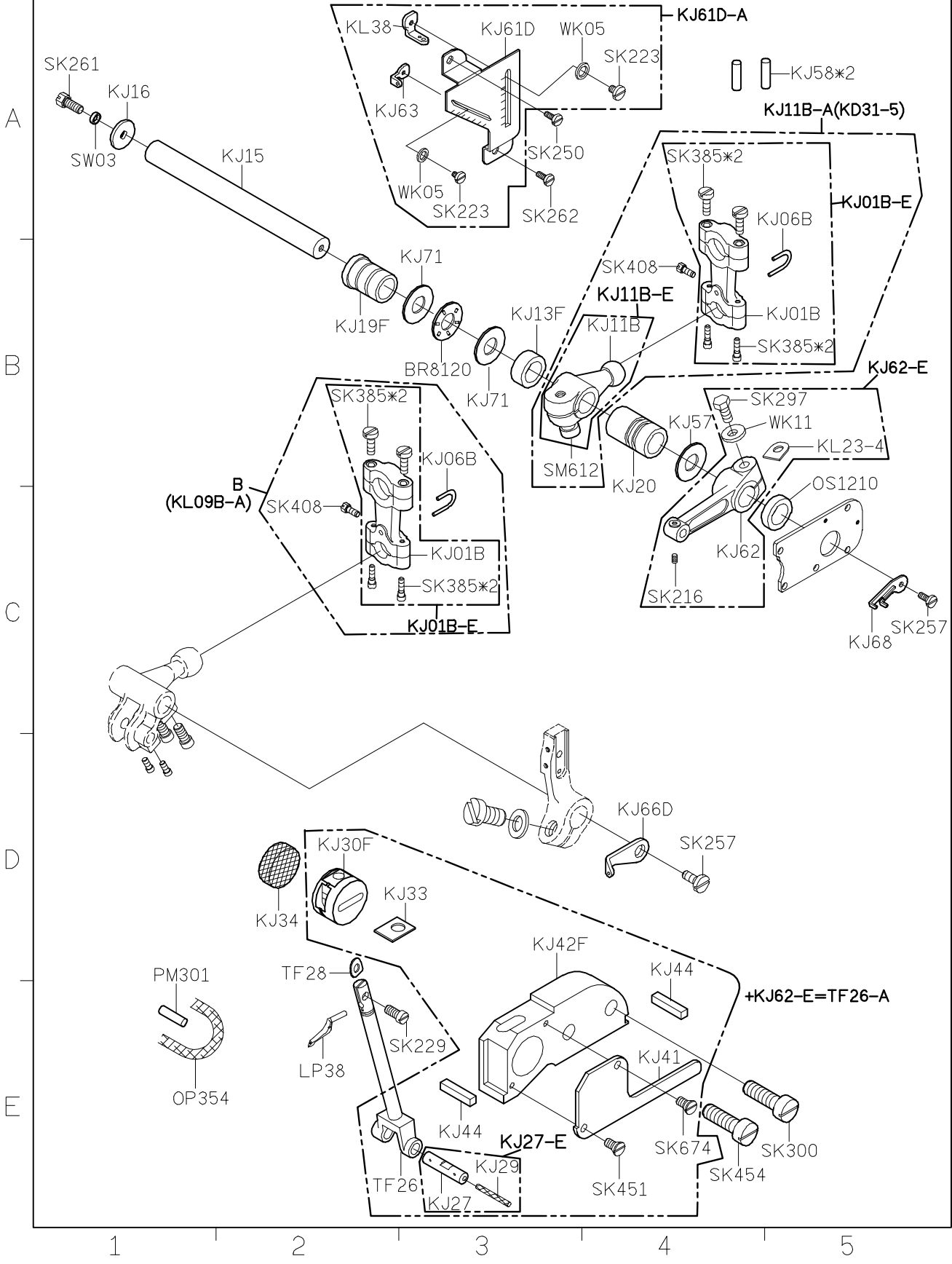
SIRUBA PARTS LIST	Series	Parts Group	Subclass Remark	Page
	700UX	KF		1/1
				Date
				2012/08/20



SIRUBA PARTS LIST	Series	Parts Group	Subclass Remark	Page
	700UX	KG		1/1
				Date
				2012/09/20



SIRUBA PARTS LIST	Series	Parts Group	Subclass Remark	Page
	700UX	KJ		1/1
				Date
				2012/09/20



SIRUBA PARTS LIST	Series	Parts Group	Subclass Remark	Page
	700UX	KL		1/1
				Date
				2012/08/20

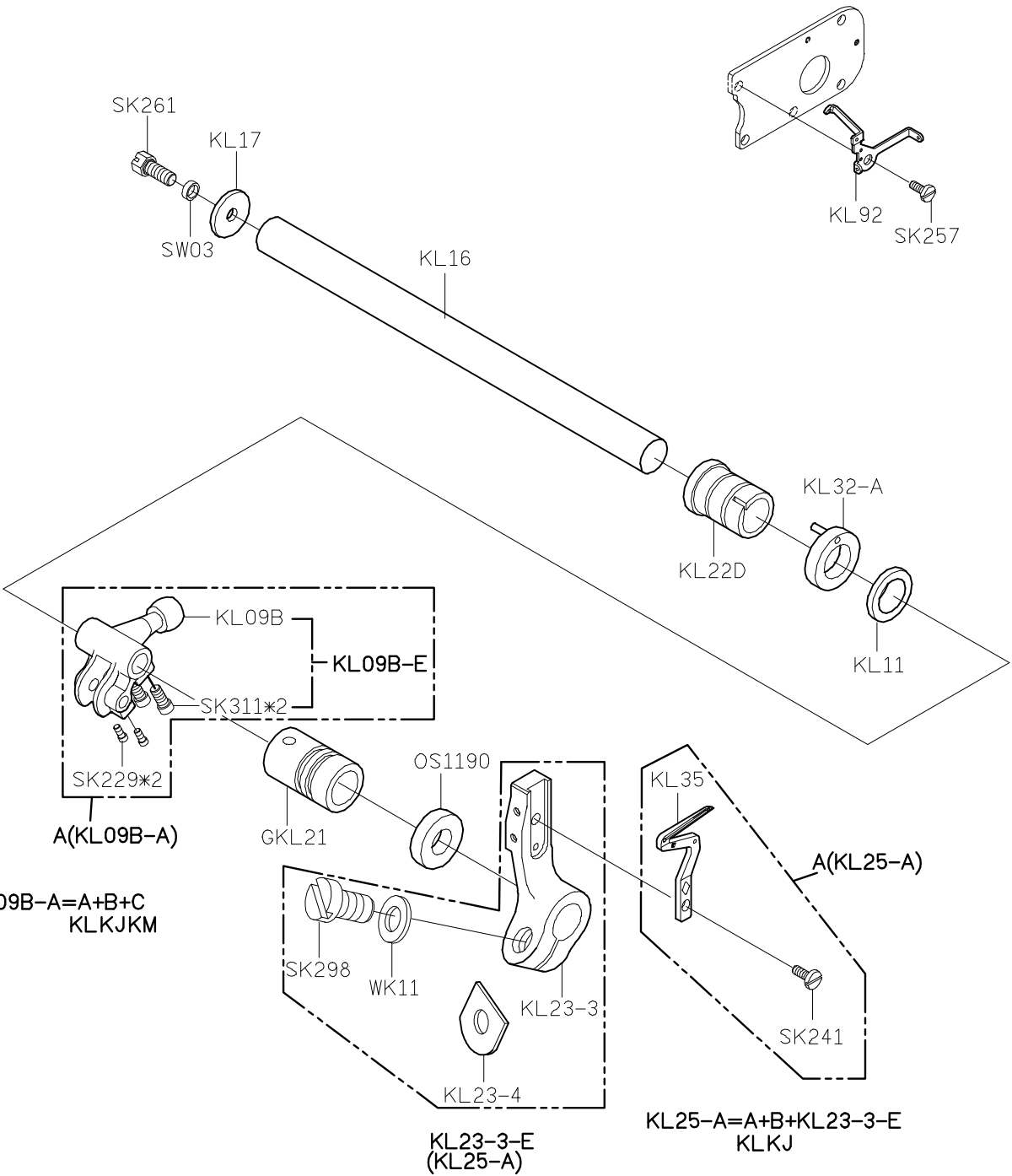
A

B

C

D

E



1

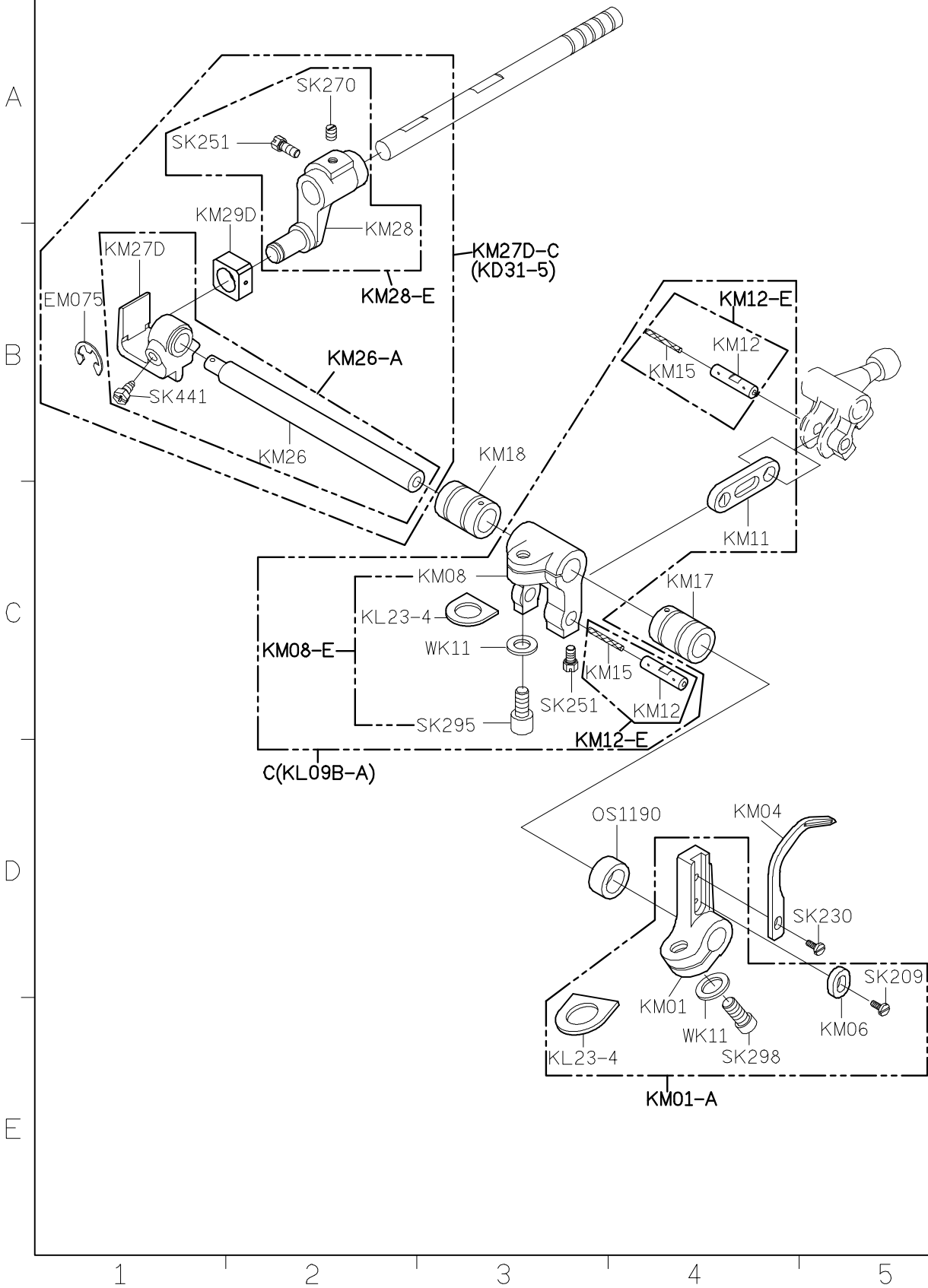
2

3

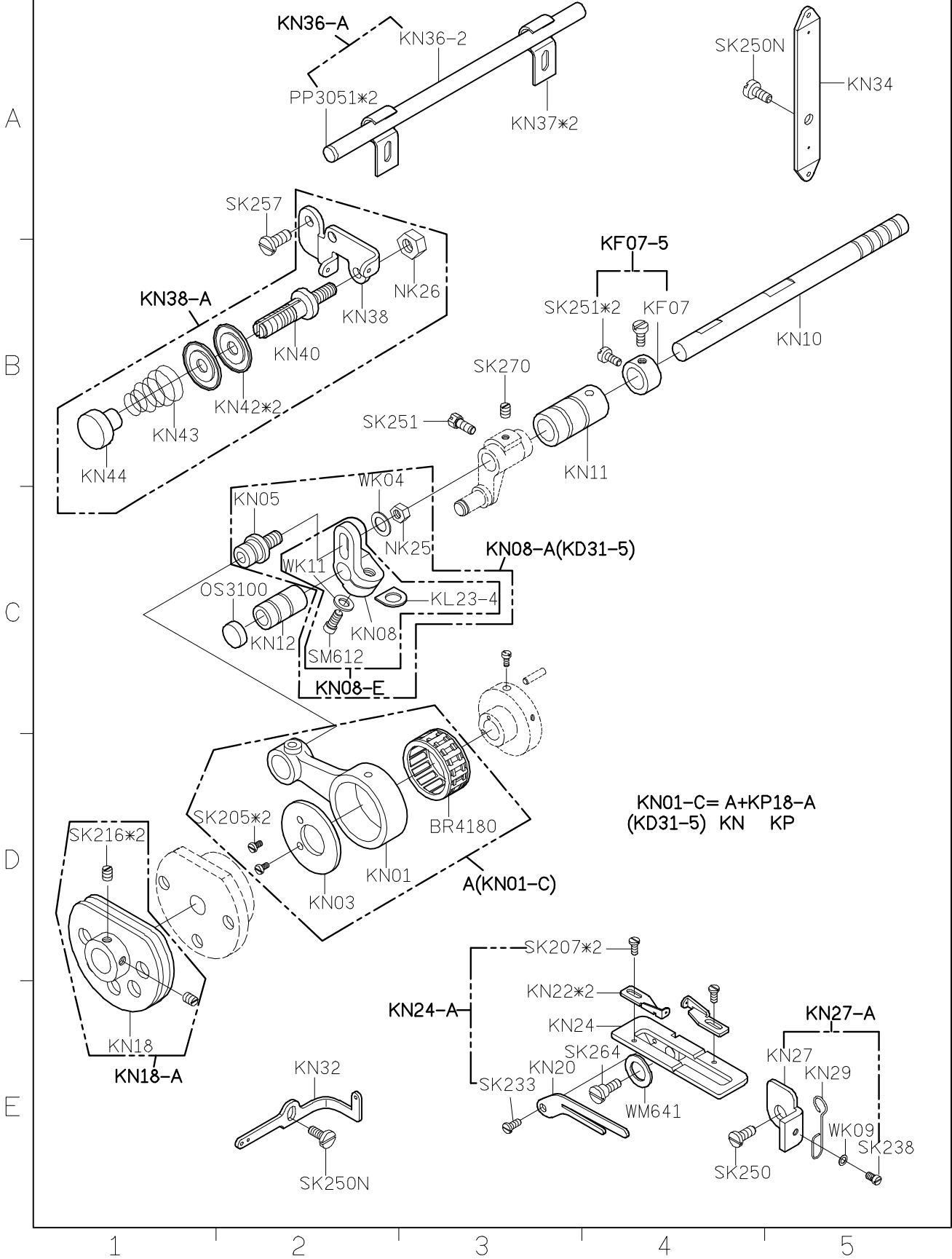
4

5

SIRUBA PARTS LIST	Series	Parts Group	Subclass Remark	Page
	700UX	KM		1/1
				Date
				2012/08/20



SIRUBA PARTS LIST	Series	Parts Group	Subclass Remark	Page
	700UX	KN		1/1
				Date
				2012/08/20



SIRUBA PARTS LIST	Series	Parts Group	Subclass Remark	Page
	700UX	KP		1/1
				Date
				2012/08/20

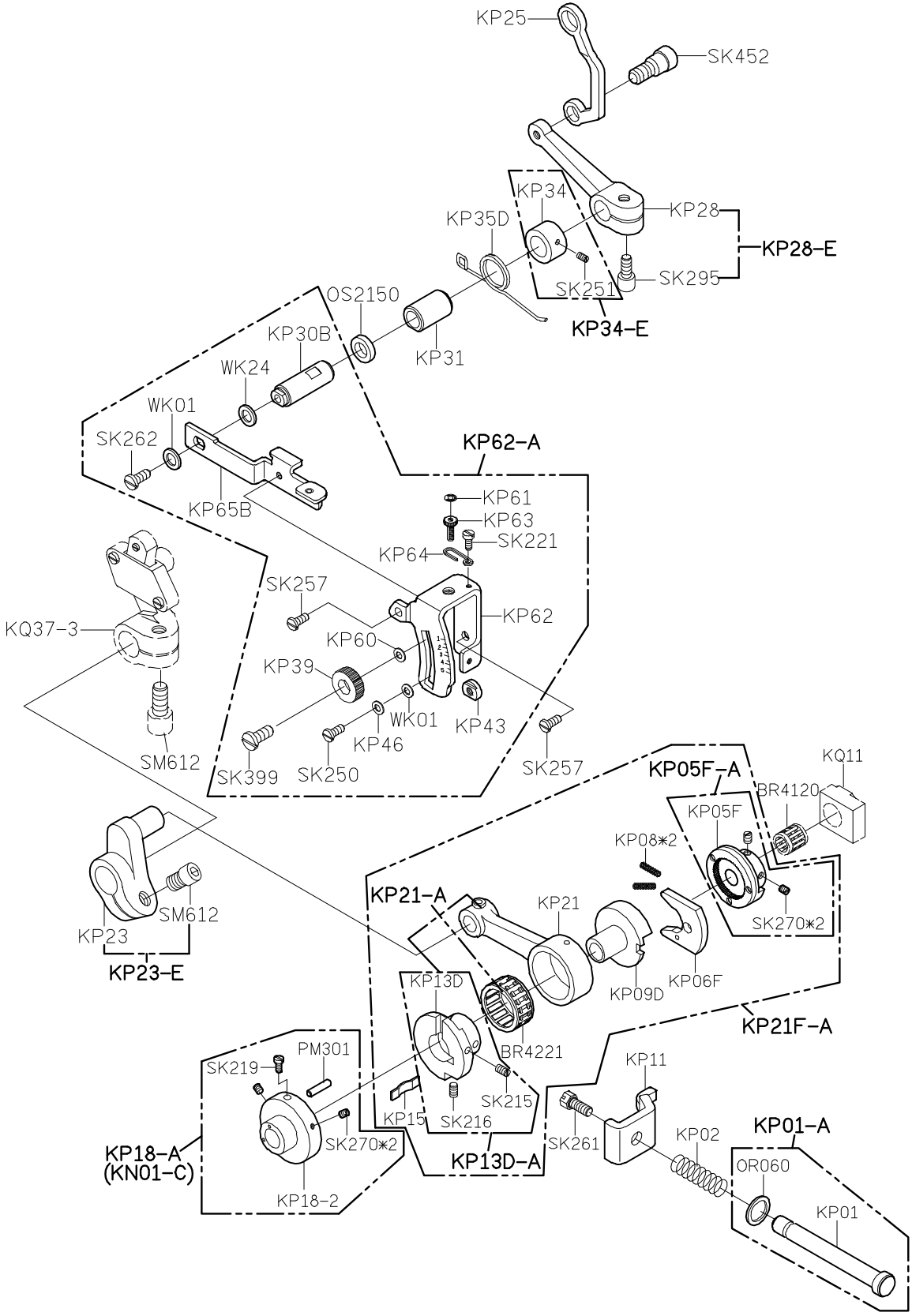
A

B

C

D

E



1

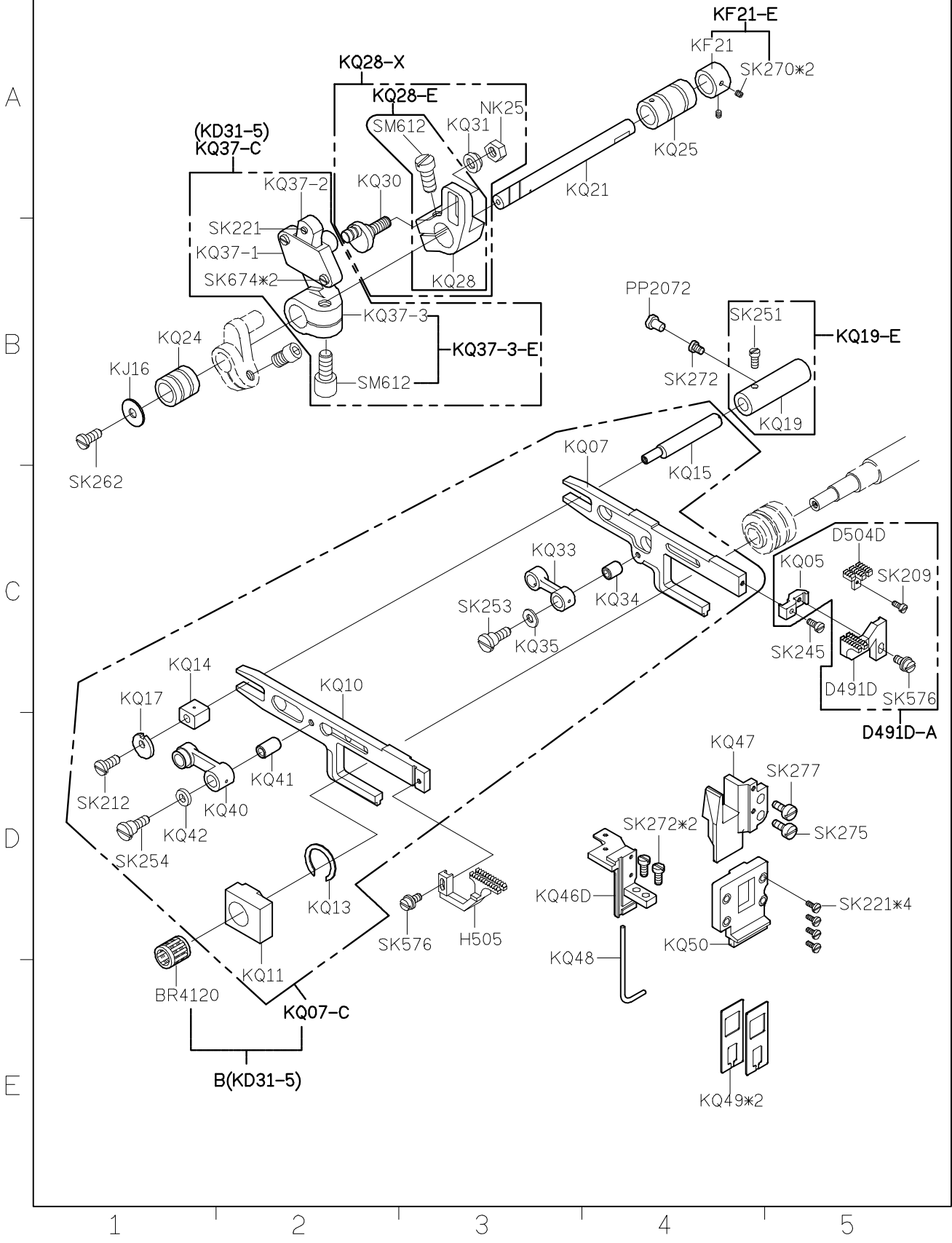
2

3

4

5

SIRUBA PARTS LIST	Series	Parts Group	Subclass Remark	Page
	700UX	KQ		1/1
				Date
				2012/03/20



SIRUBA PARTS LIST	Series	Parts Group	Subclass Remark	Page
	700UX	KR		1/1
				Date
				2012/09/20

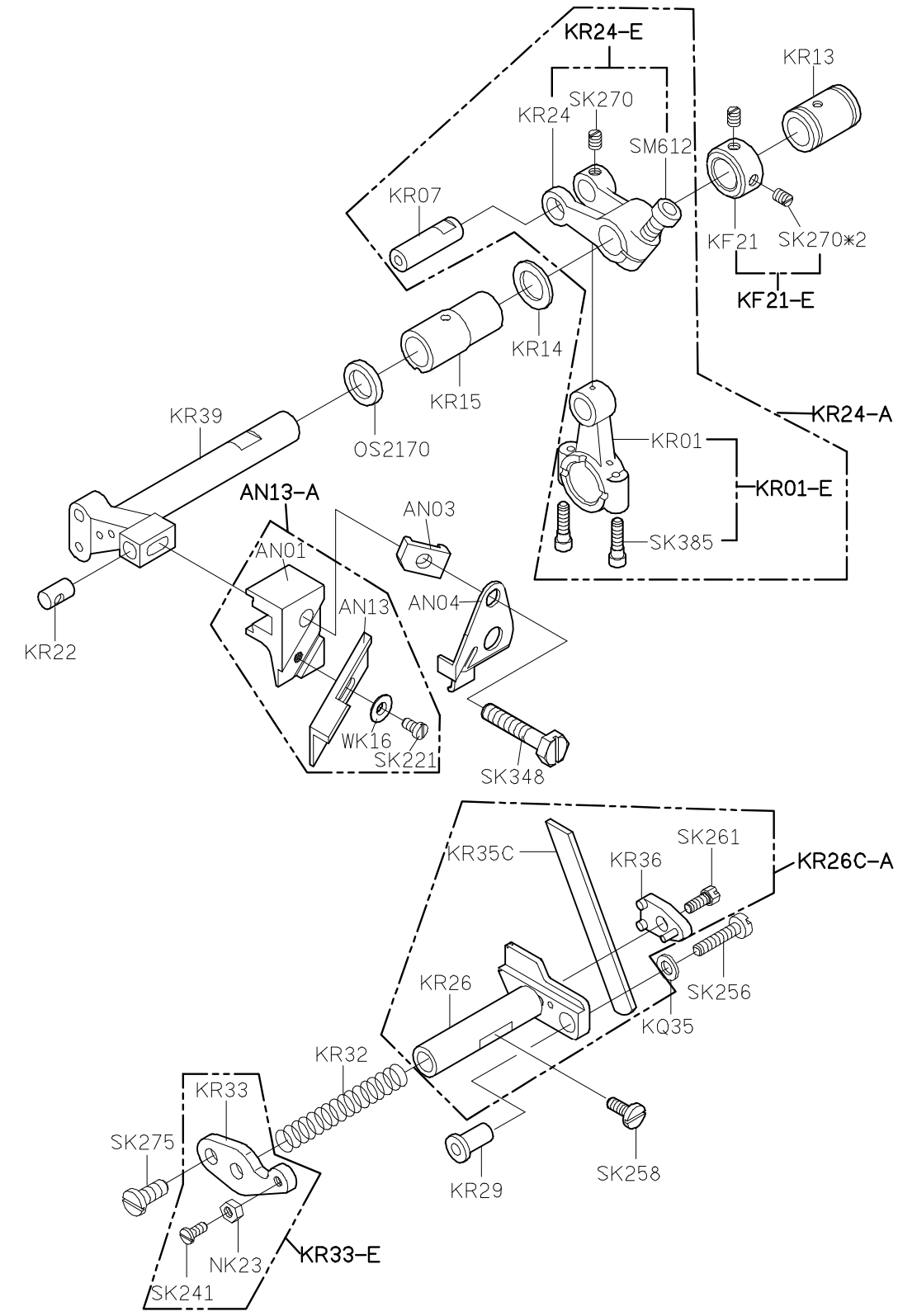
A

B

C

D

E



1

2

3

4

5

SIRUBA PARTS LIST	Series	Parts Group	Subclass Remark	Page
	700UX	KS		1/1
				Date
				2012/08/20

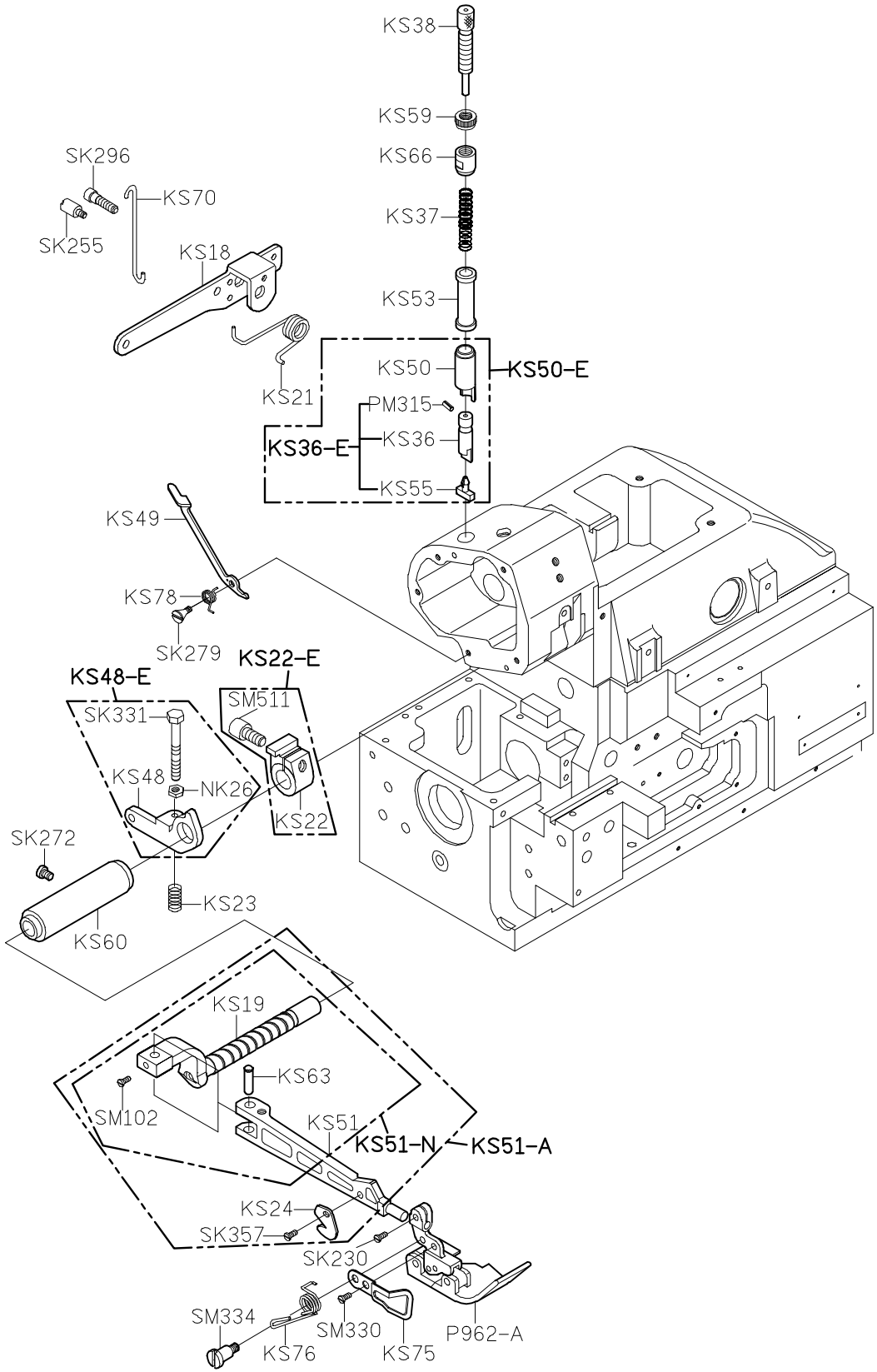
A

B

C

D

E



1

2

3

4

5

SIRUBA

PARTS LIST

Series

700UX

Parts Group

KT

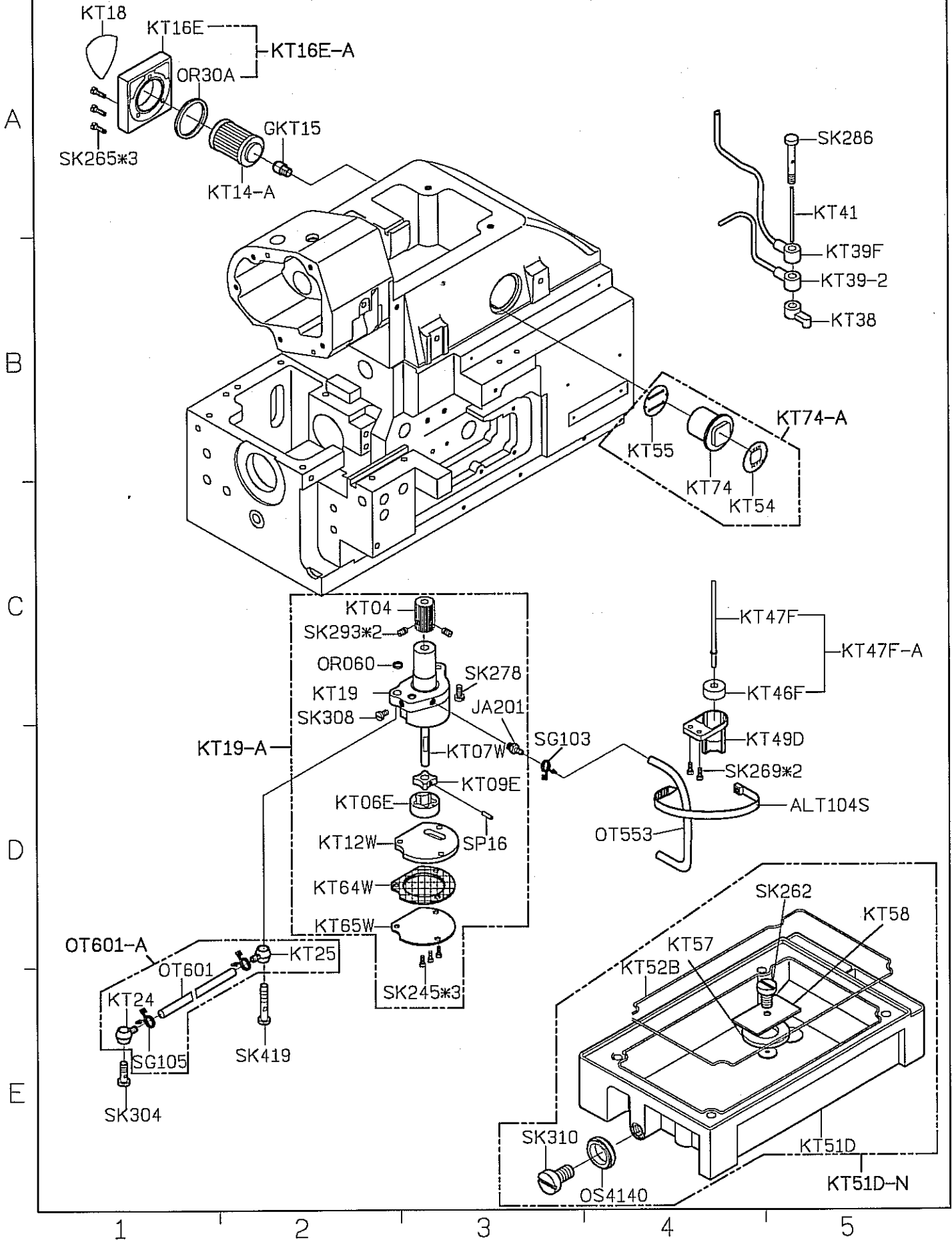
Subclass / Remark

Page

1/1

Date

2013/05/28



SIRUBA PARTS LIST	Series	Parts Group	Subclass Remark	Page
	700UX	KU		1/1
				Date
				2012/08/20

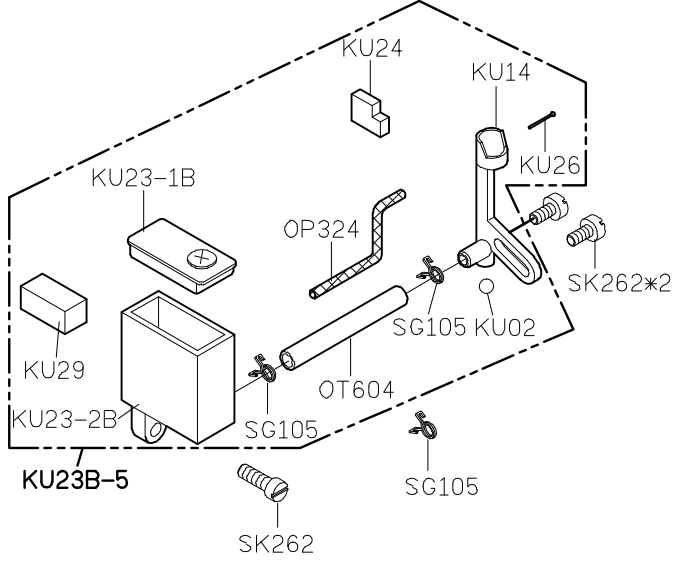
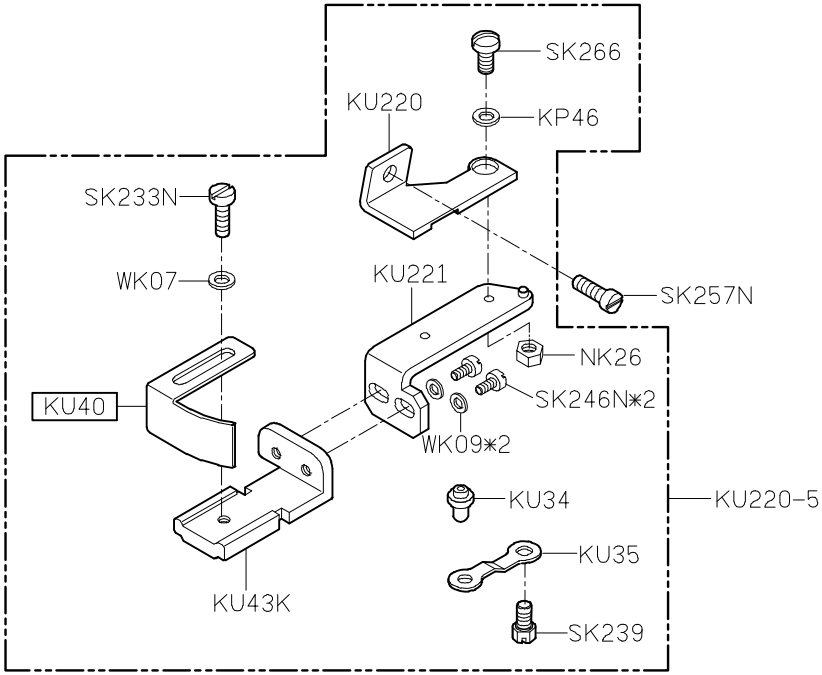
A

B

C

D

E



SIRUBA PARTS LIST	Series	Parts Group	Subclass Remark	Page
	700UX	KW		1/1
				Date
				2012/08/20

KW40E-5

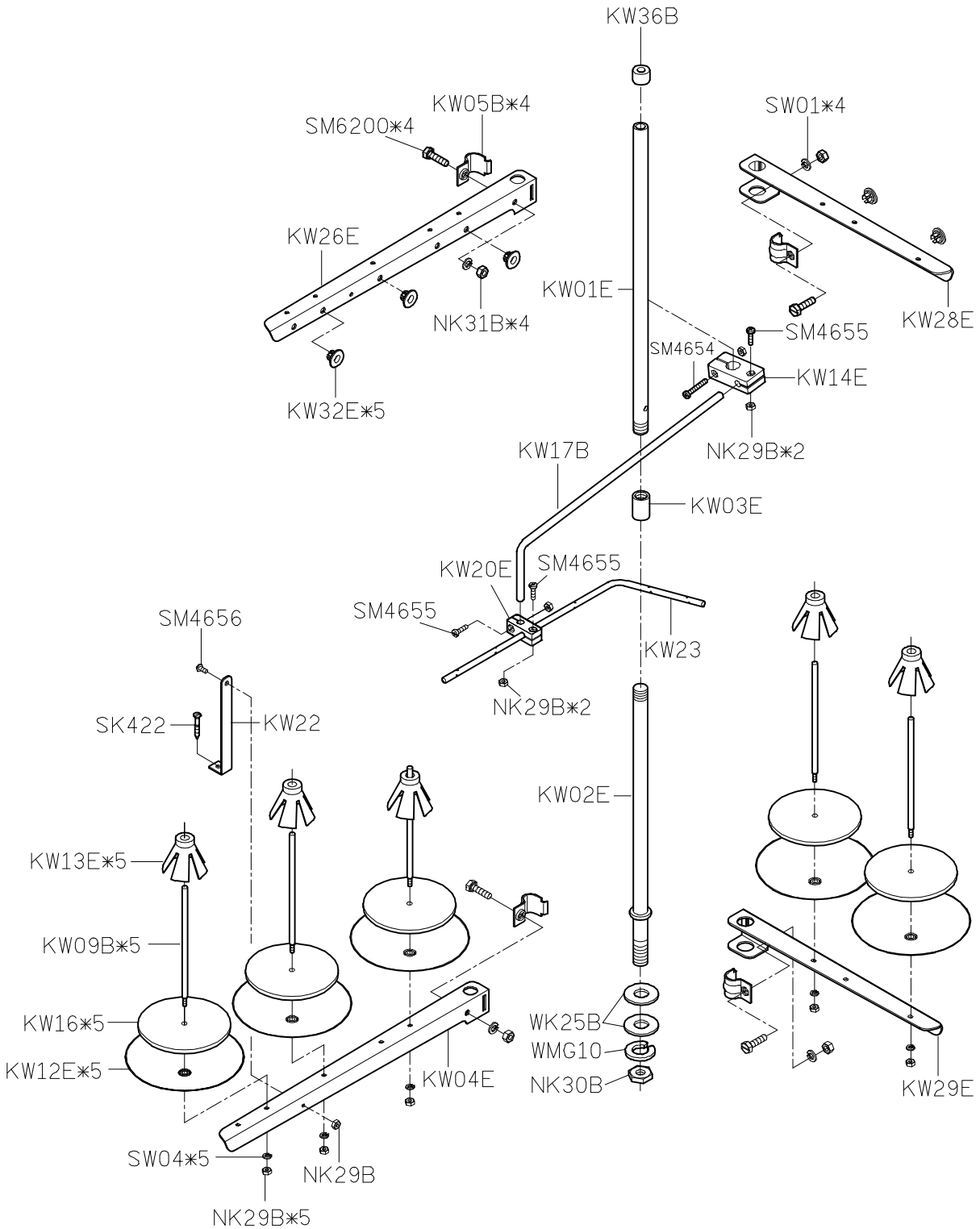
A

B

C

D

E



1

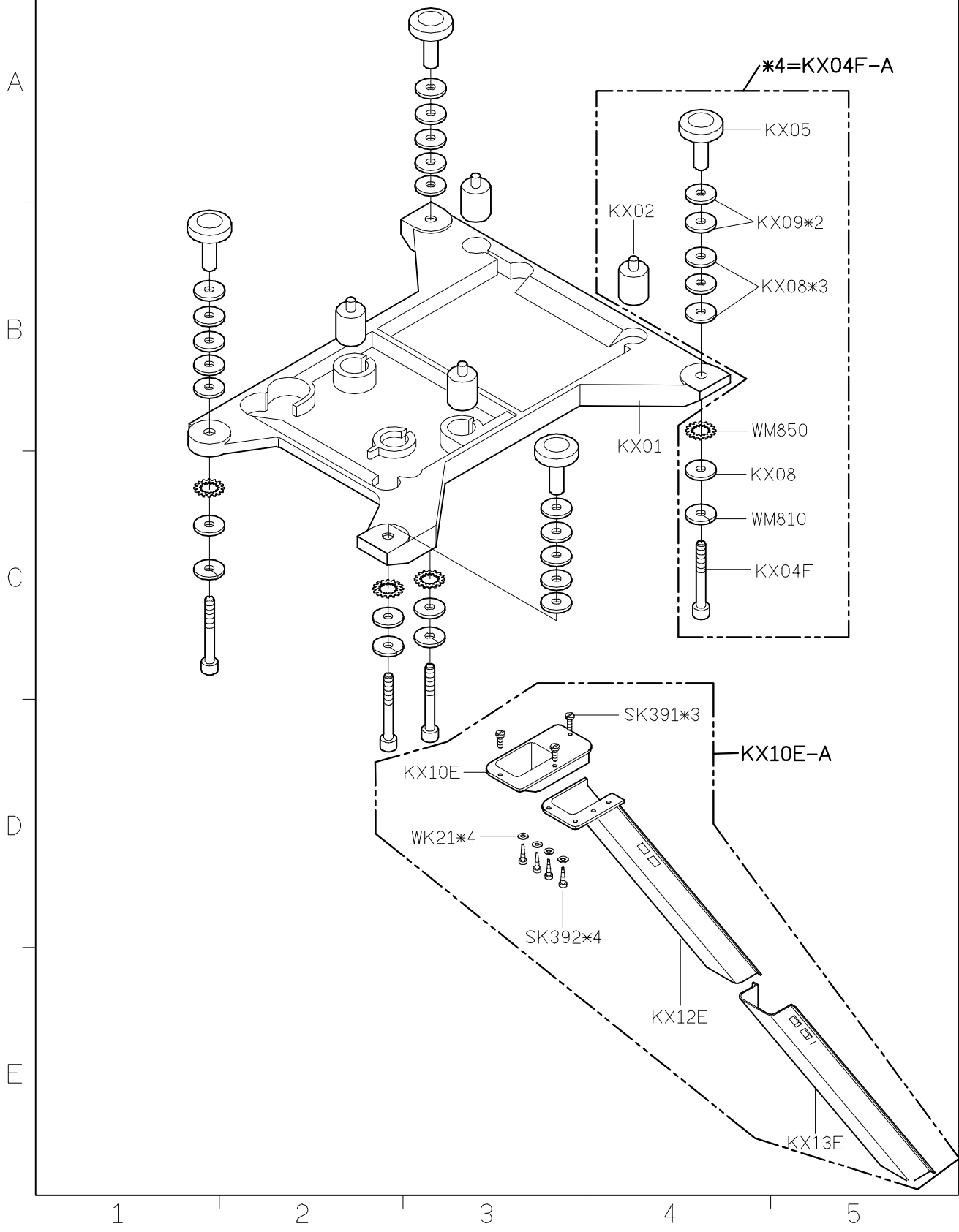
2

3

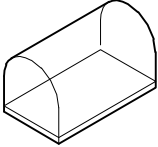
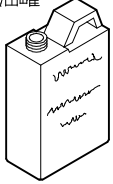



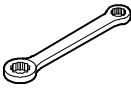
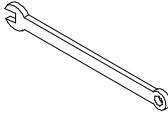



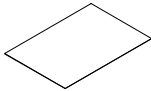
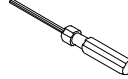
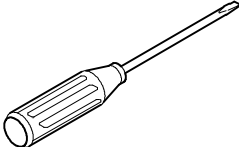
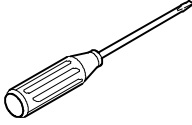

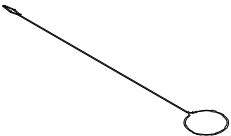
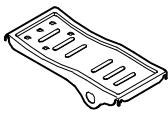


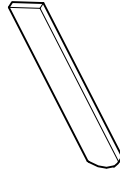

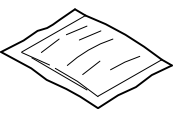

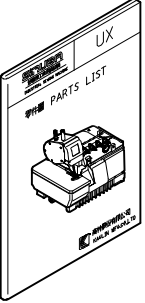
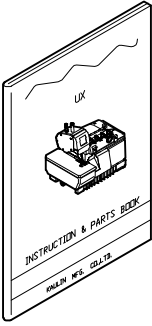


4

5

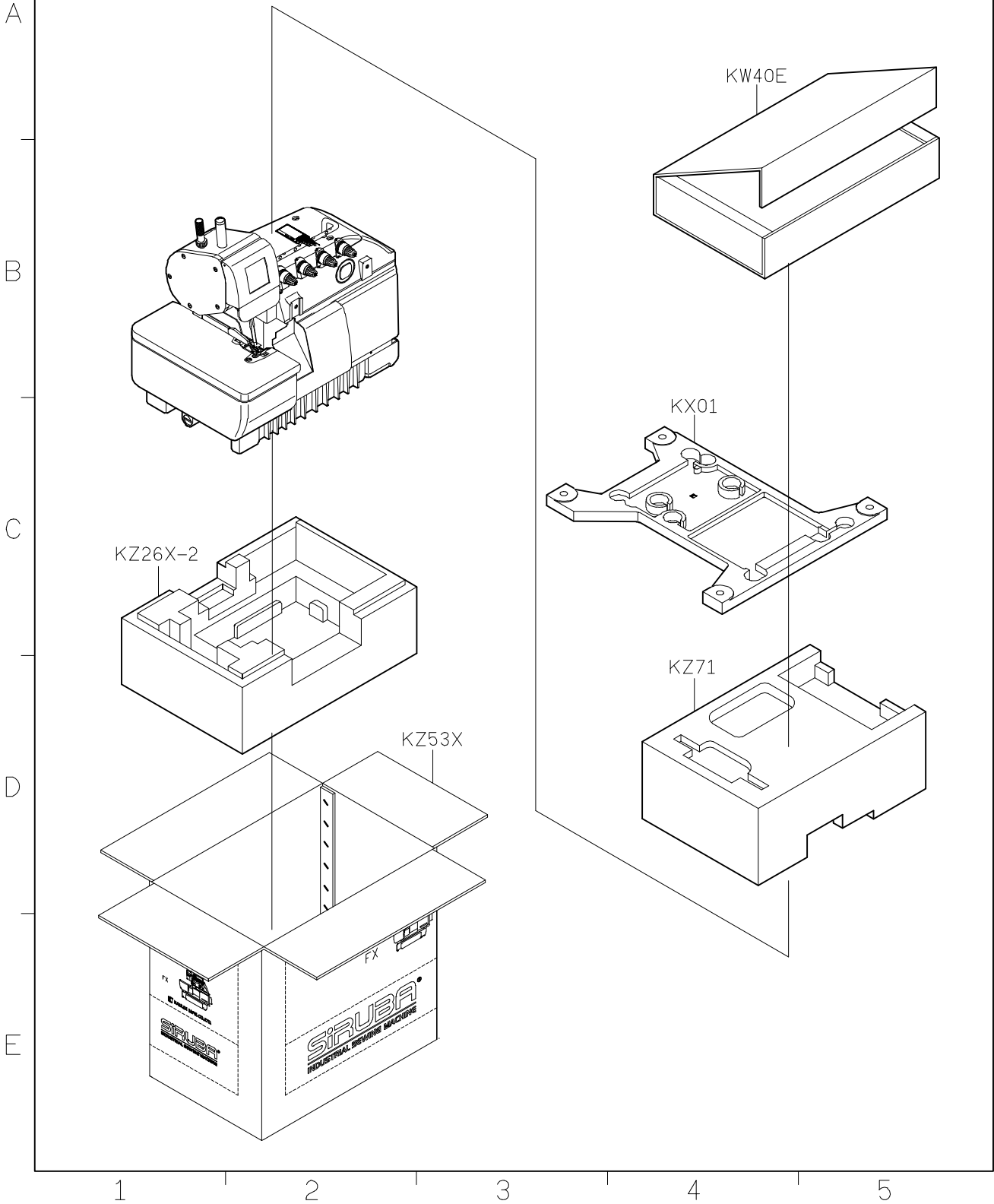
SIRUBA PARTS LIST	Series	Parts Group	Subclass Remark	Page
	700UX	KX		1/1
				Date
				2012/08/20



SIRUBA SEQUENCE LIST	Series	Parts Group	Subclass Remark	Page
	700UX	KY		1/1
				Date
				2012/08/20

KY01 防塵罩 	KY02-A 油罐 	KY03 油壺 	KY04 漏斗 	KY05 油壺 
KY23-A ┌───────────┐ └───────────┘		KY10-A ┌───────────┐ └───────────┘		
KY23 內六角板手 	KY09 開口板手 	KY10 六角板手 	KY11 六角板手 	KY12 六角板手 
KY16-A ┌───────────┐ └───────────┘				
KY30 針板紙 	KY14 內六角螺絲起子 	KY16 一字起子 	KY17 一字起子 	KY18 鑷子 
KY19 穿線器 	KY20D 腳踏板 	KY21-A/MY21 鉤子/鍊條 	KY201 工具袋 	KR35C 下刀片 
KT14-A 濾油器 	KZ03 乾燥劑 	針*4 	KZ08UX 零件圖 	KZ08UX-2 使用說明書 
SK216 螺絲 	MY11 六角板手 			

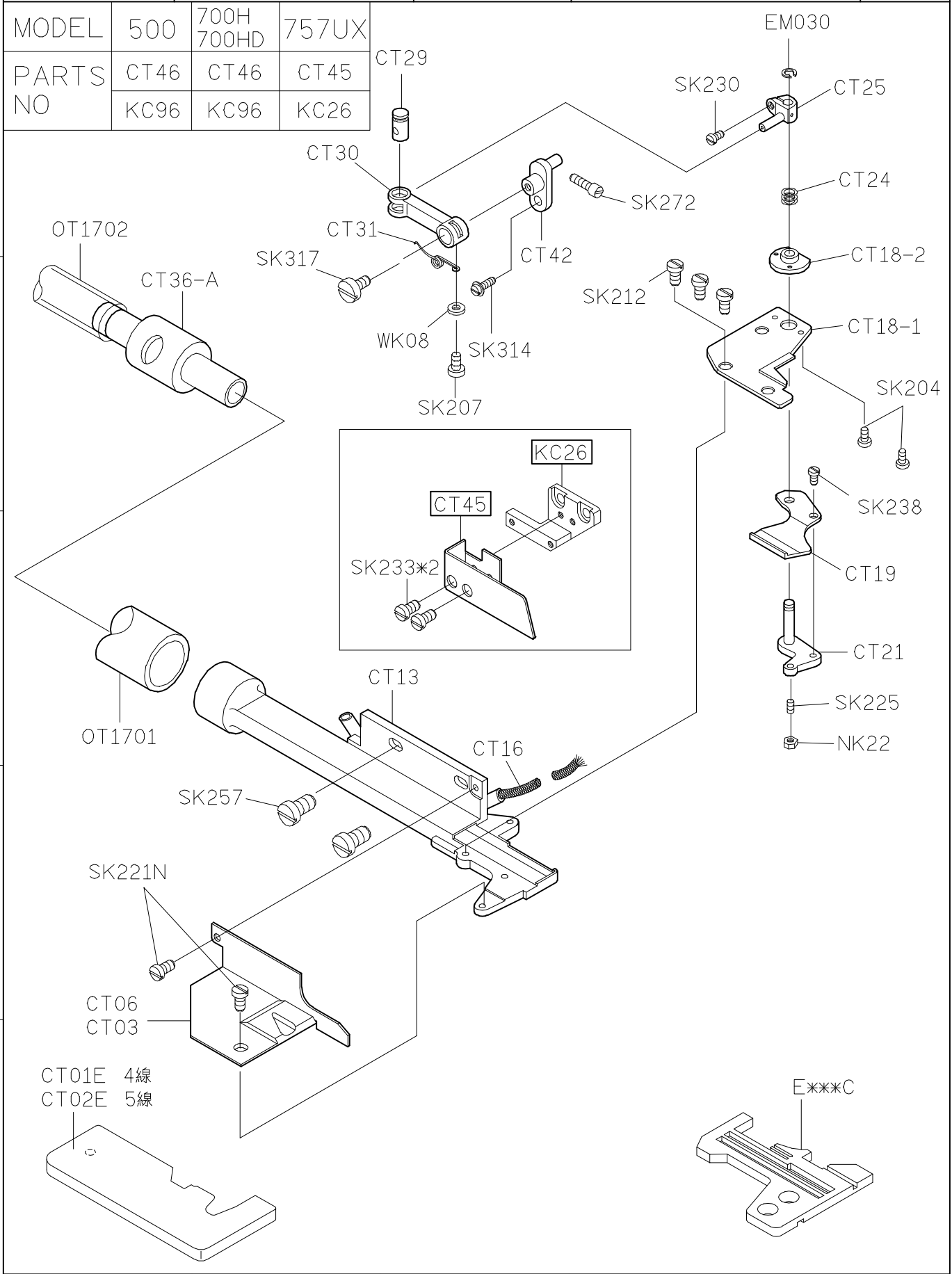
SIRUBA PARTS LIST	Series	Parts Group	Subclass Remark	Page
	700UX	KZ		1/1
				Date
				2012/08/20



SIRUBA PARTS LIST	Series			Parts Group	Subclass Remark	Page
	700UX			CT-F		1/1
						Date
2012/08/21						

MODEL	500	700H 700HD	757UX
PARTS NO	CT46	CT46	CT45
	KC96	KC96	KC26

A
B
C
D
E



1 2 3 4 5

SIRUBA PARTS LIST	Series		Parts Group	Subclass Remark	Page
	700UX		EC-F		1/3
					Date
					2012/08/21

MODEL	700F 700UX	700H 700HD
PARTS NO	CT45 KC26	CT46 KC96

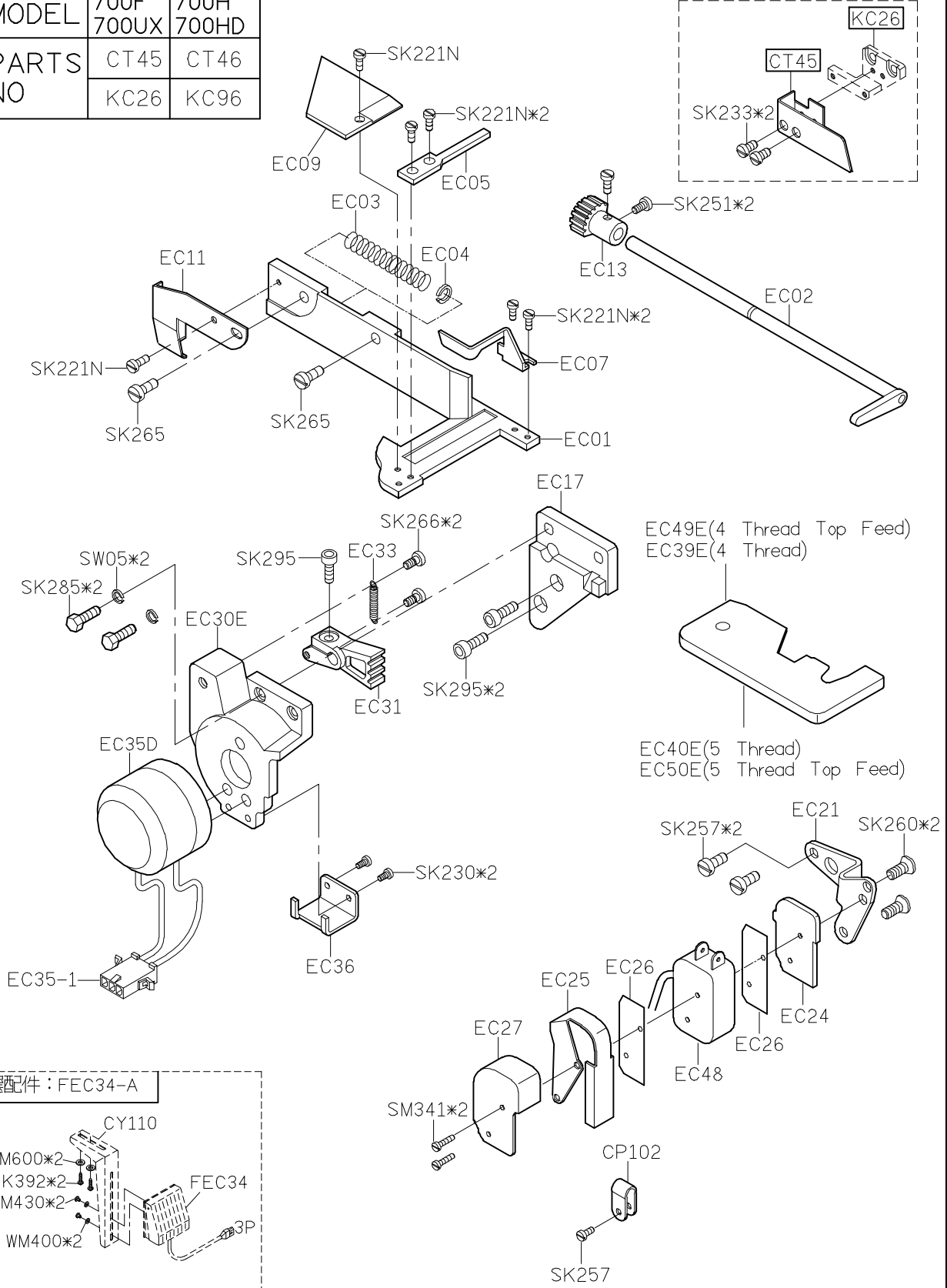
A

B

C

D

E



1

2

3

4

5

SIRUBA PARTS LIST	Series	Parts Group	Subclass Remark	Page
	700UX	EC-F		2/3
				Date
				2012/08/21

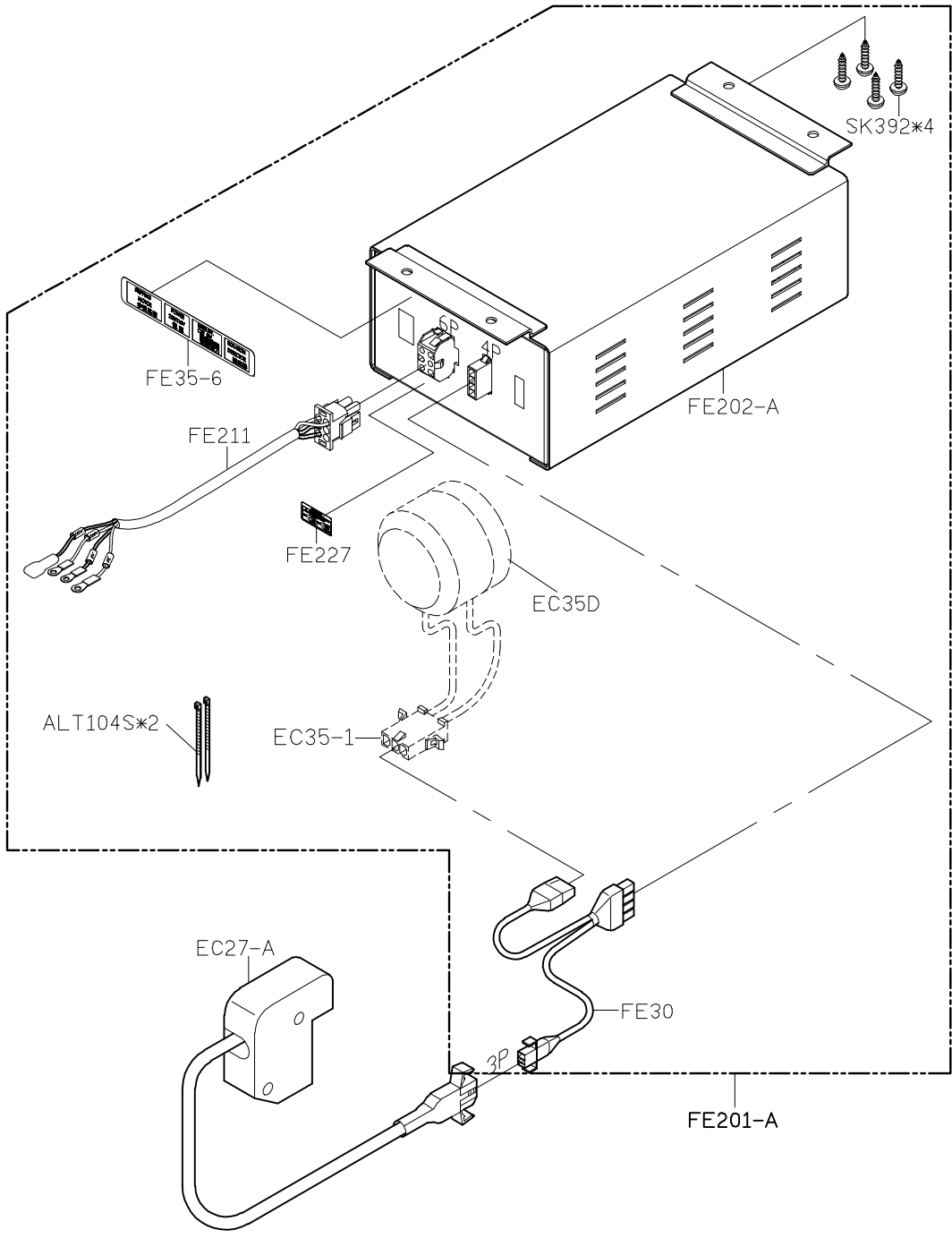
A

B

C

D

E



1

2

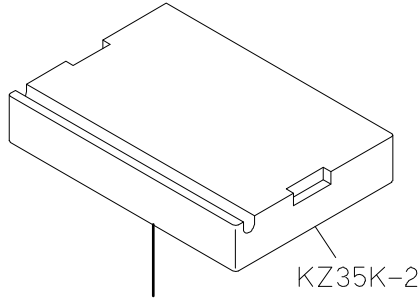
3

4

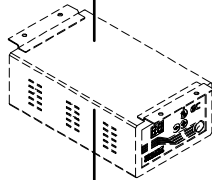
5

SIRUBA PARTS LIST	Series	Parts Group	Subclass Remark	Page
	700UX	EC-F		3/3
				Date
				2012/08/21

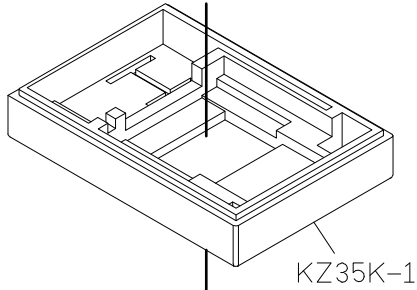
A



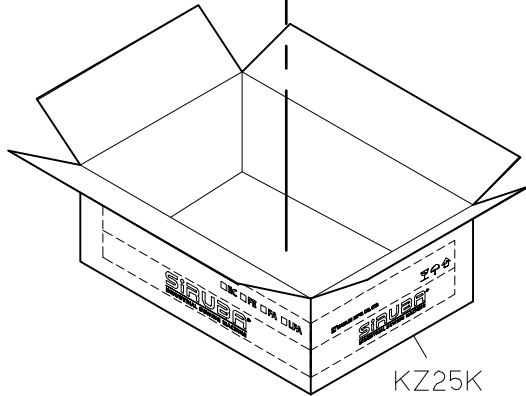
B



C



D



E

1

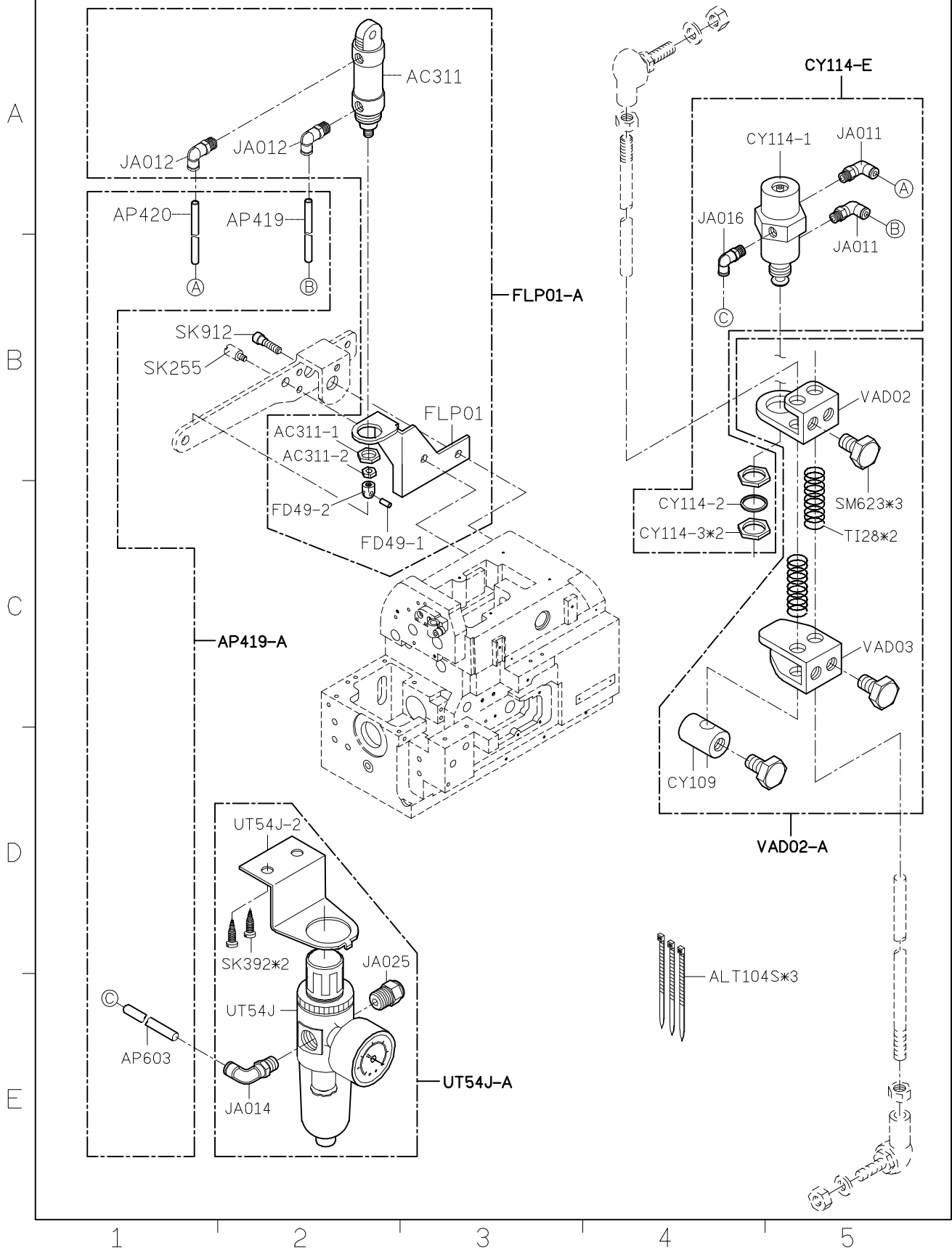
2

3

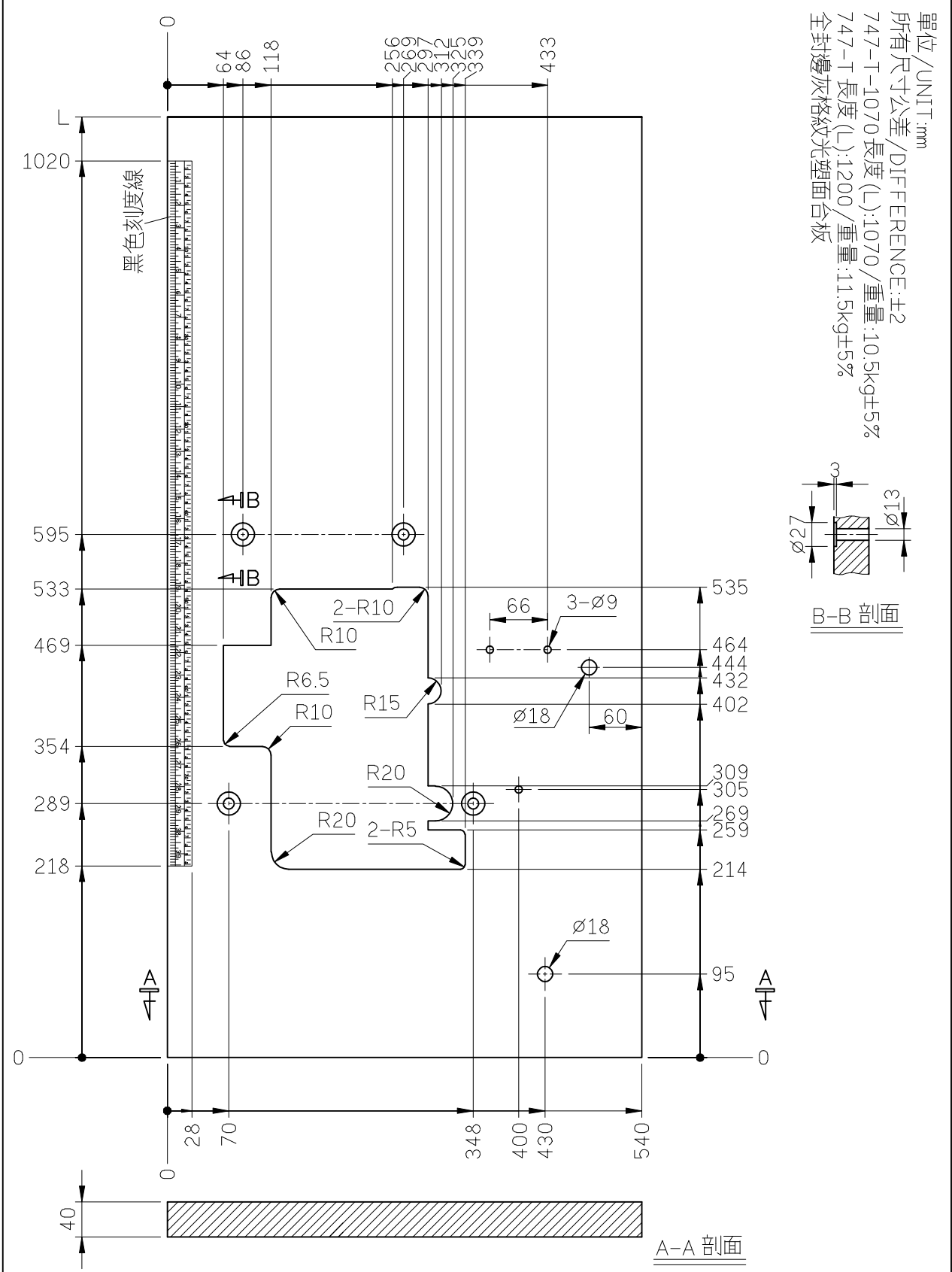
4

5

SIRUBA PARTS LIST	Series	Parts Group	Subclass Remark	Page
	700UX	FLP		1/1
				Date
				2012/03/21



SIRUBA TABLE CUT - OUT	Series	Item Code	Subclass Remark	Mounting
	700UX	747-T	UNIT: mm TOLERANCE: ±2 For UX	Non-submerged
				Date
				2012/06/21



SIRUBA TABLE CUT - OUT	Series	Item Code	Subclass Remark	Mounting
	700UX	747-T1	UNIT: mm TOLERANCE: ±2 For UX	Fully-submerged
				Date
				2012/06/21

