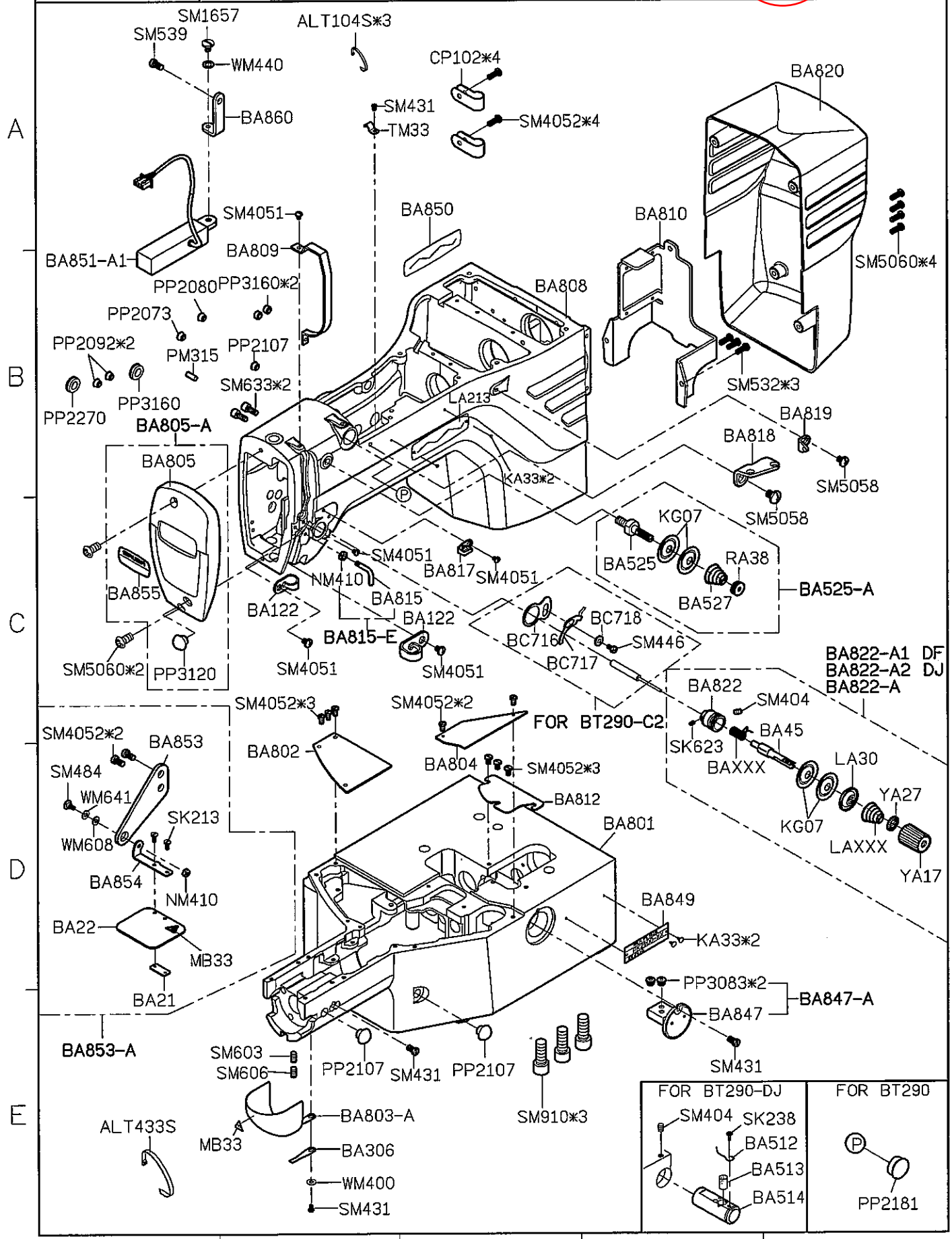


| | | | | |
|-----------------------------|--------|-------------|-------------------|------------|
| SIRUBA PARTS LIST | Series | Parts Group | Subclass / Remark | Page |
| | BT290 | BA | | 1/2 |
| | | | | Date |
| | | | | 2013/08/06 |

研發部
2013.08.19
發行



A

B

C

D

E

1

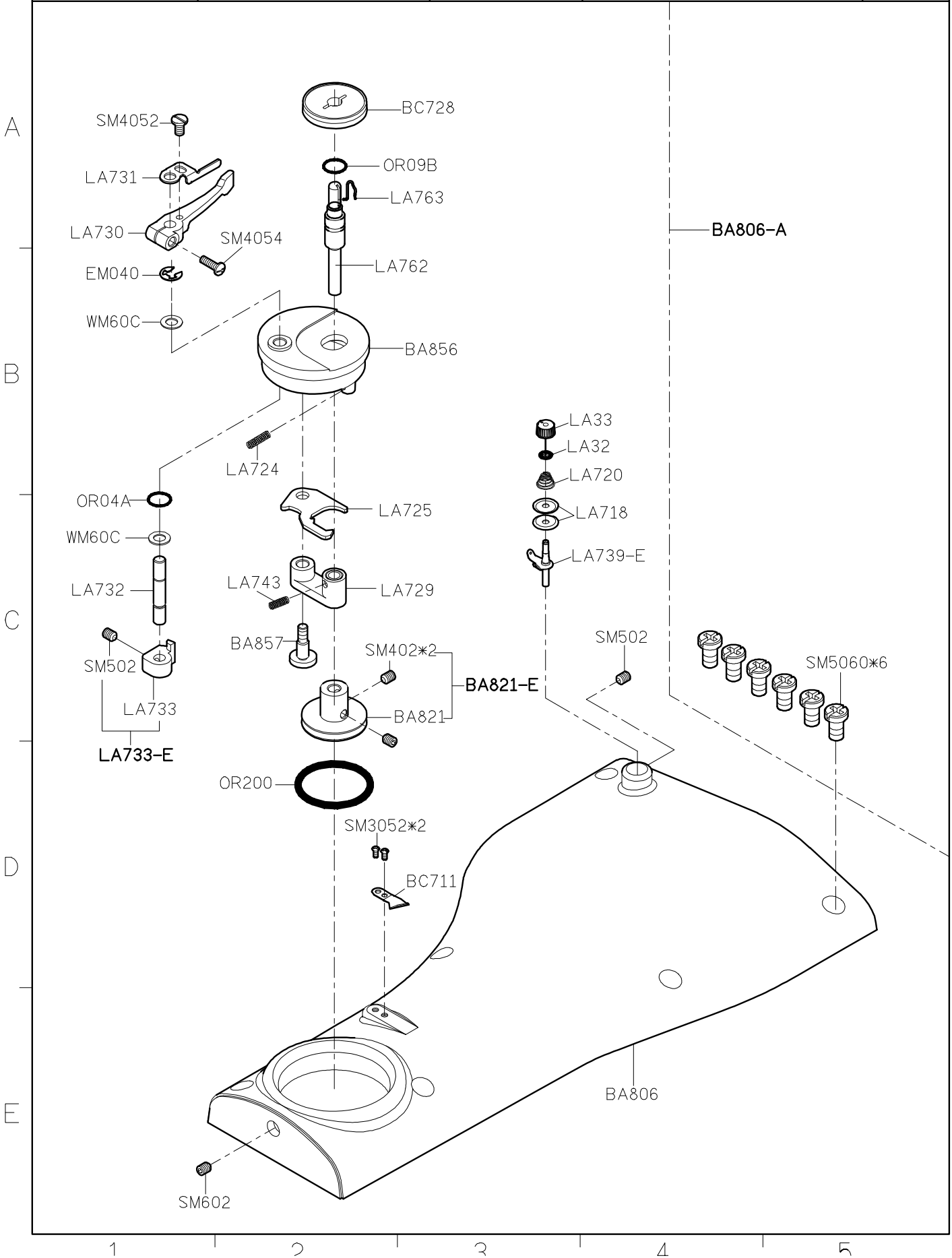
2

3

4

5

| | | | | |
|------------------------------------|---------------|--------------------|--------------------------|-------------------|
| SIRUBA PARTS LIST | Series | Parts Group | Subclass / Remark | Page |
| | BT290 | BA | | 2/2 |
| | | | | Date |
| | | | | 2012/08/22 |



SIRUBA

PARTS LIST

Series

Parts Group

Subclass / Remark

Page

BT290

BC

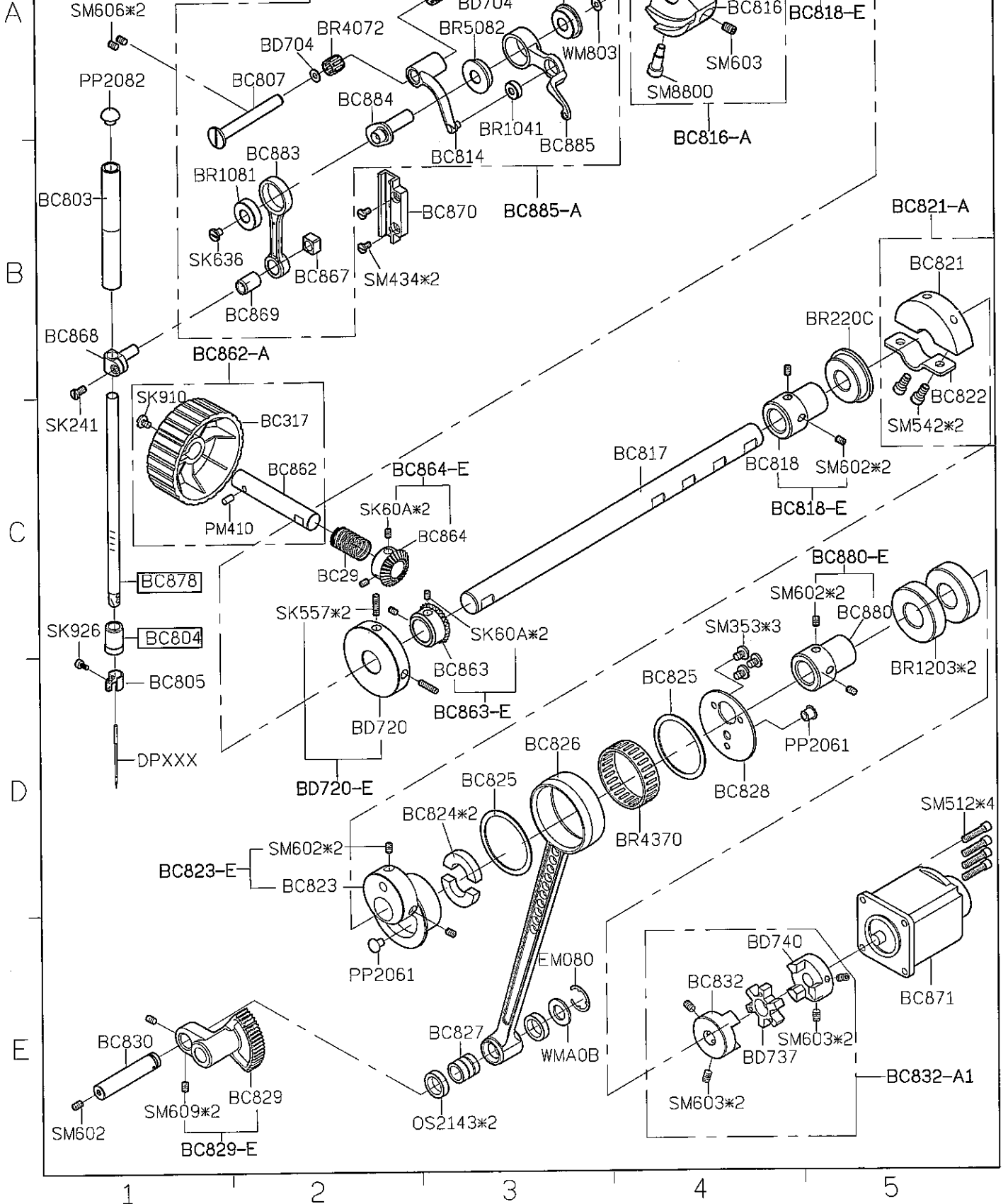
1/2

Date

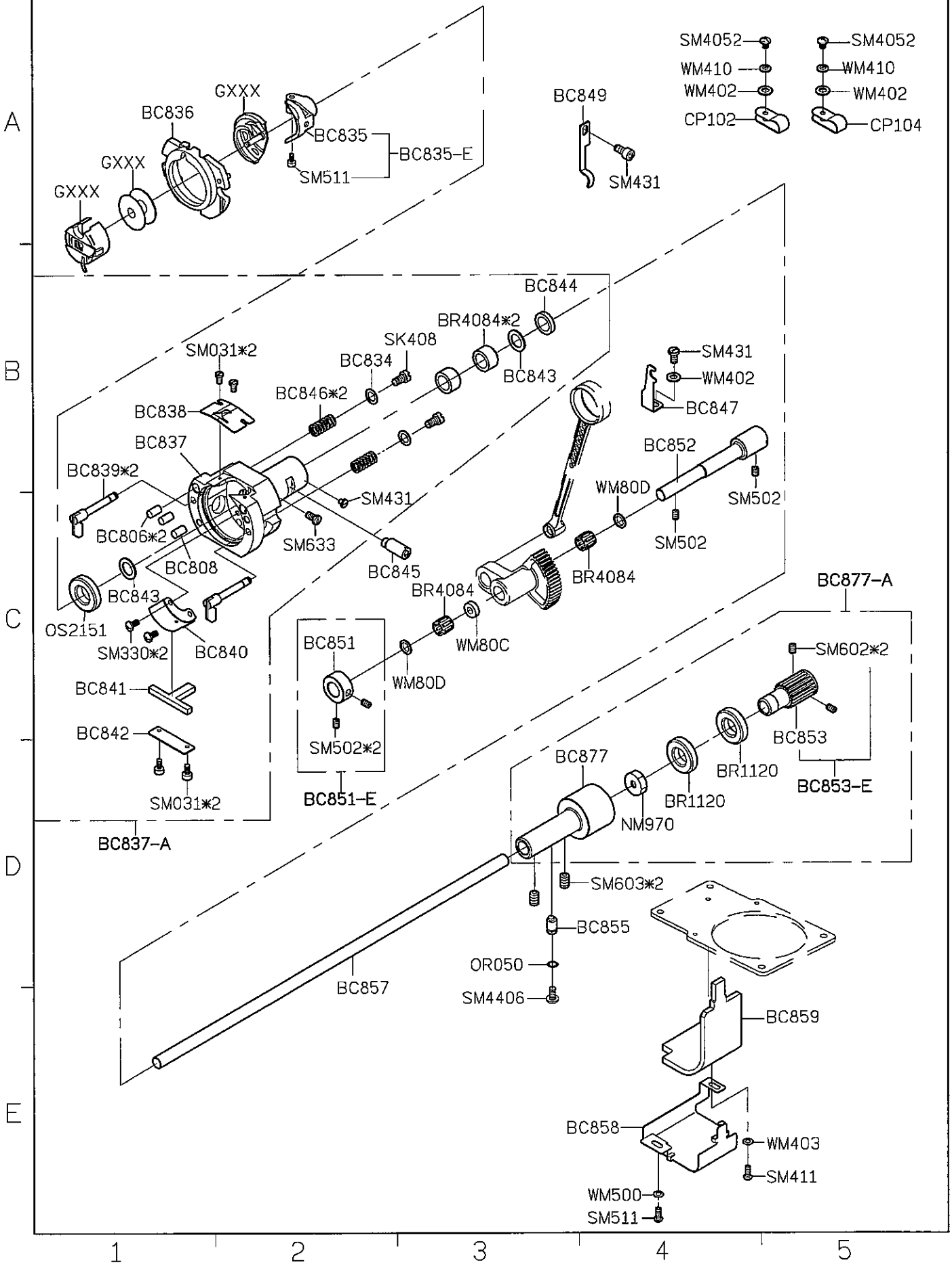
2013/02/23

| | | |
|-------------|----------------------|----------|
| MODEL | BT290-DS BT290-AS | BT290-AU |
| PARTS NO | BC804 | BC809 |
| | BC878 | BC879 |

研發部
2013.03.04
發行

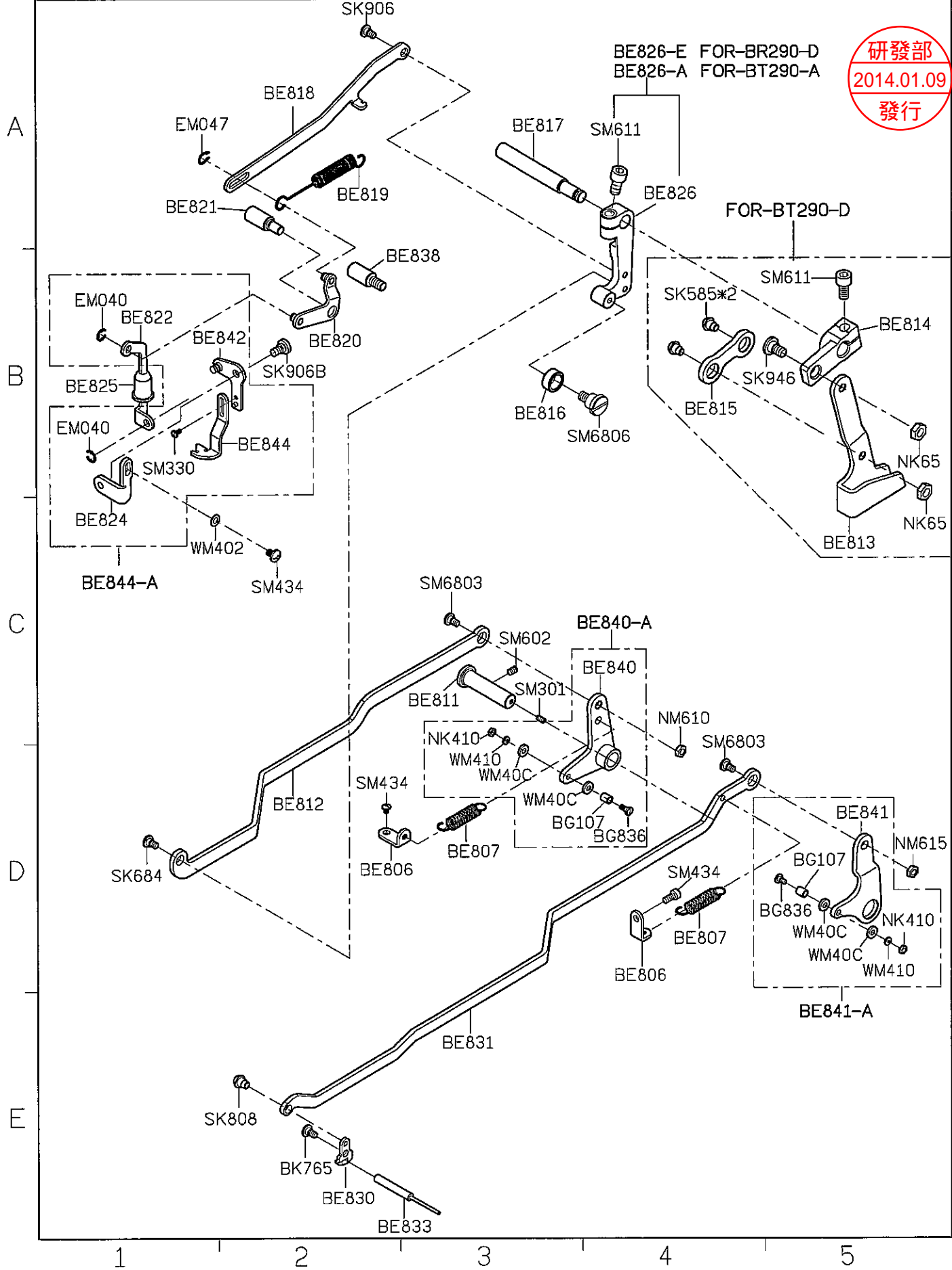


| SIRUBA PARTS LIST | Series | Parts Group | Subclass / Remark | Page |
|----------------------|--------|-------------|-------------------|-------------------------|
| | BT290 | BC | | 研發部 2014.01.09 發行 |



| | | | | |
|-----------------------------|--------|-------------|-------------------|------------|
| SIRUBA PARTS LIST | Series | Parts Group | Subclass / Remark | Page |
| | BT290 | BE | | 1/1 |
| | | | | Date |
| | | | | 2013/12/24 |

研發部
 2014.01.09
 發行



| | | | | |
|-----------------------------|--------|-------------|--------------------|------------|
| SIRUBA PARTS LIST | Series | Parts Group | Subclass / Remark | Page |
| | BT290 | BF | *: Use for BT290-D | 1/7 |
| | | | | Date |
| | | | | 2013/12/24 |

研發部
 2014.01.09
 發行

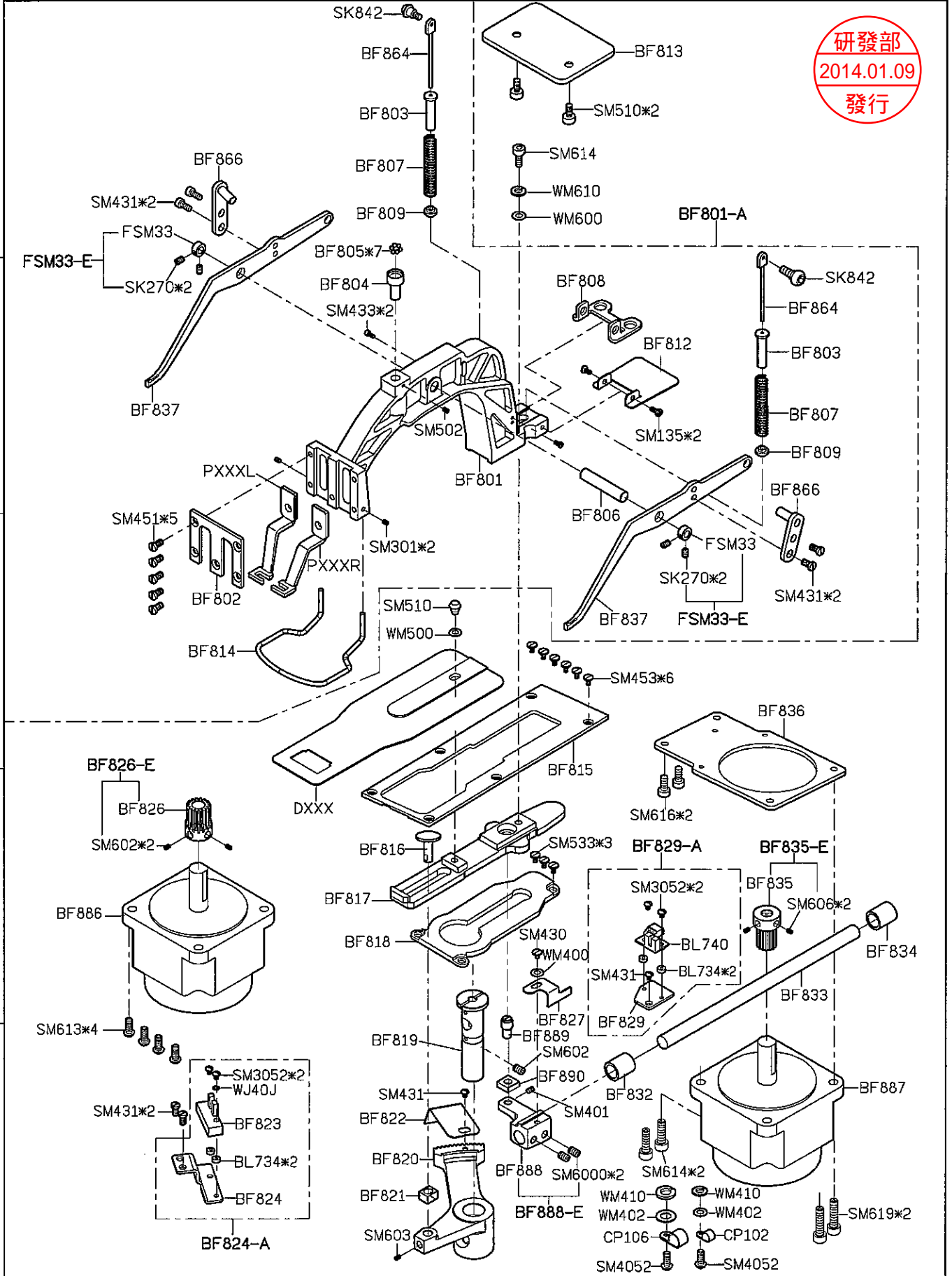
A

B

C

D

E



1

2

3

4

5

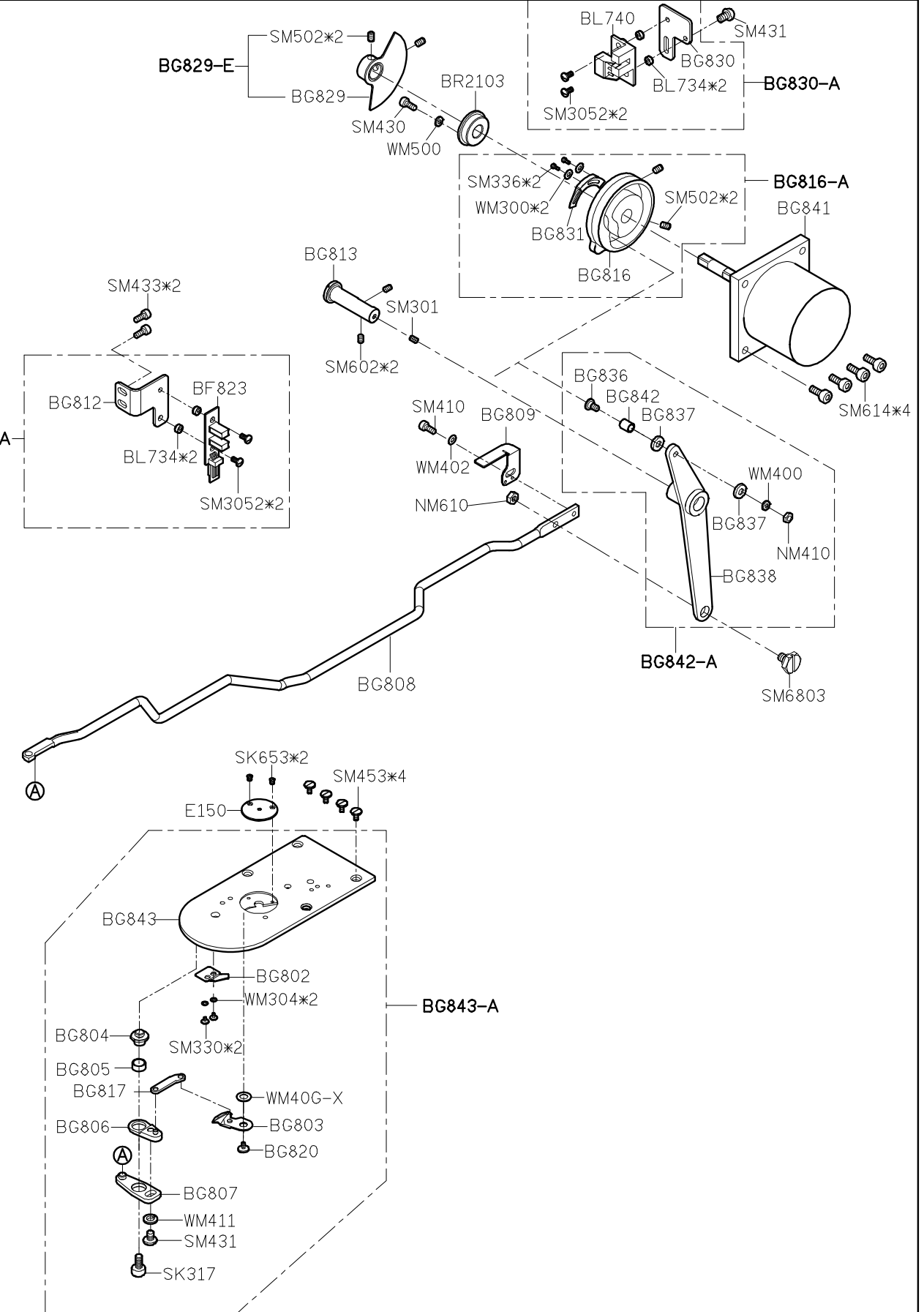
A

B

C

D

E



1

2

3

4

5

| SIRUBA PARTS LIST | Series | Parts Group | Subclass / Remark | Page |
|----------------------|--------|-------------|---------------------|------------|
| | BT290 | BG | *: Use for BT290-DS | 1/1 |
| | | | | Date |
| | | | | 2012/09/29 |

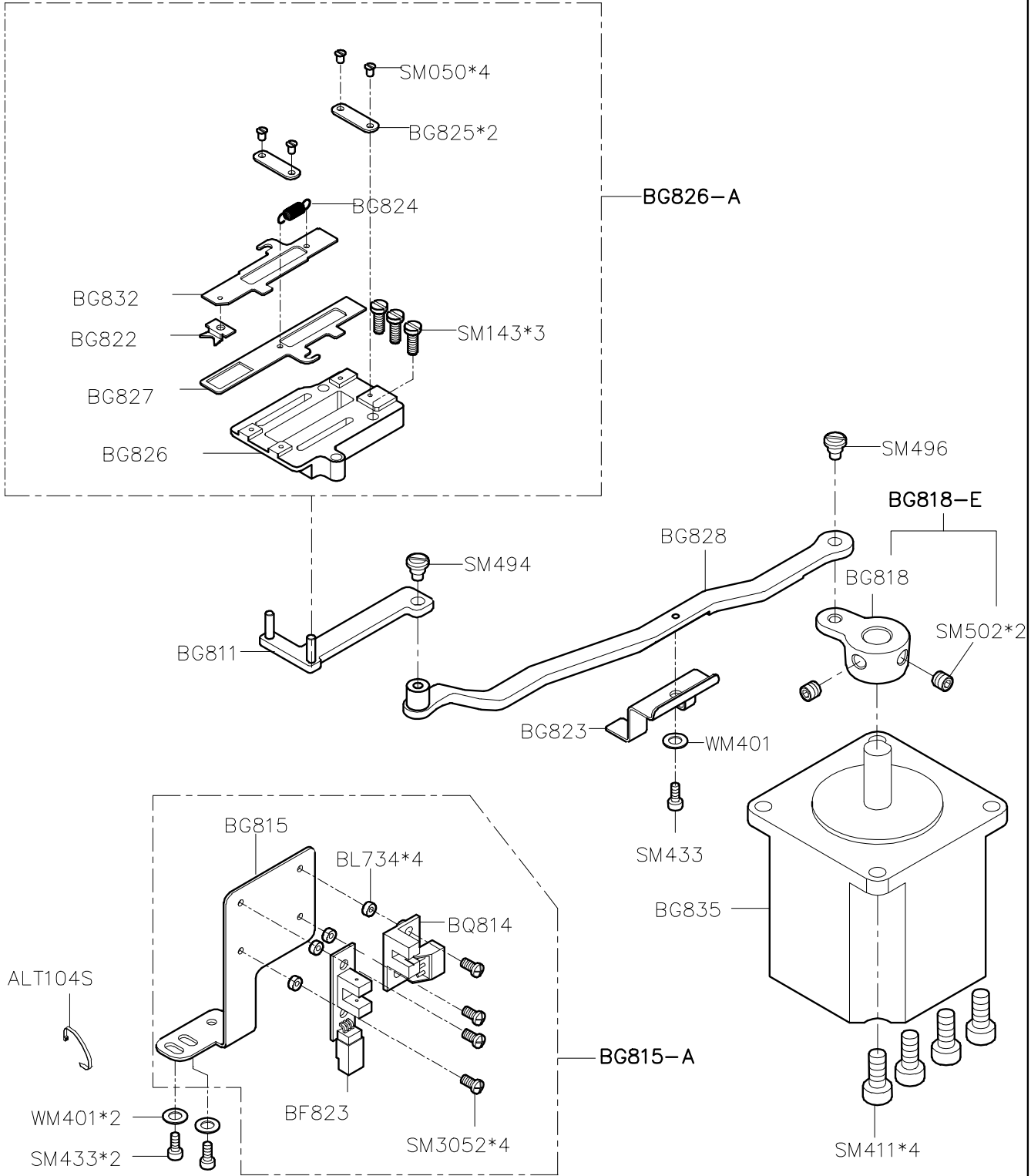
A

B

C

D

E



1

2

3

4

5

| SIRUBA PARTS LIST | Series | Parts Group | Subclass / Remark | Page |
|----------------------|--------|-------------|-------------------|------------|
| | BT290 | BQ | | 1/5 |
| | | | | Date |
| | | | | 2012/08/22 |

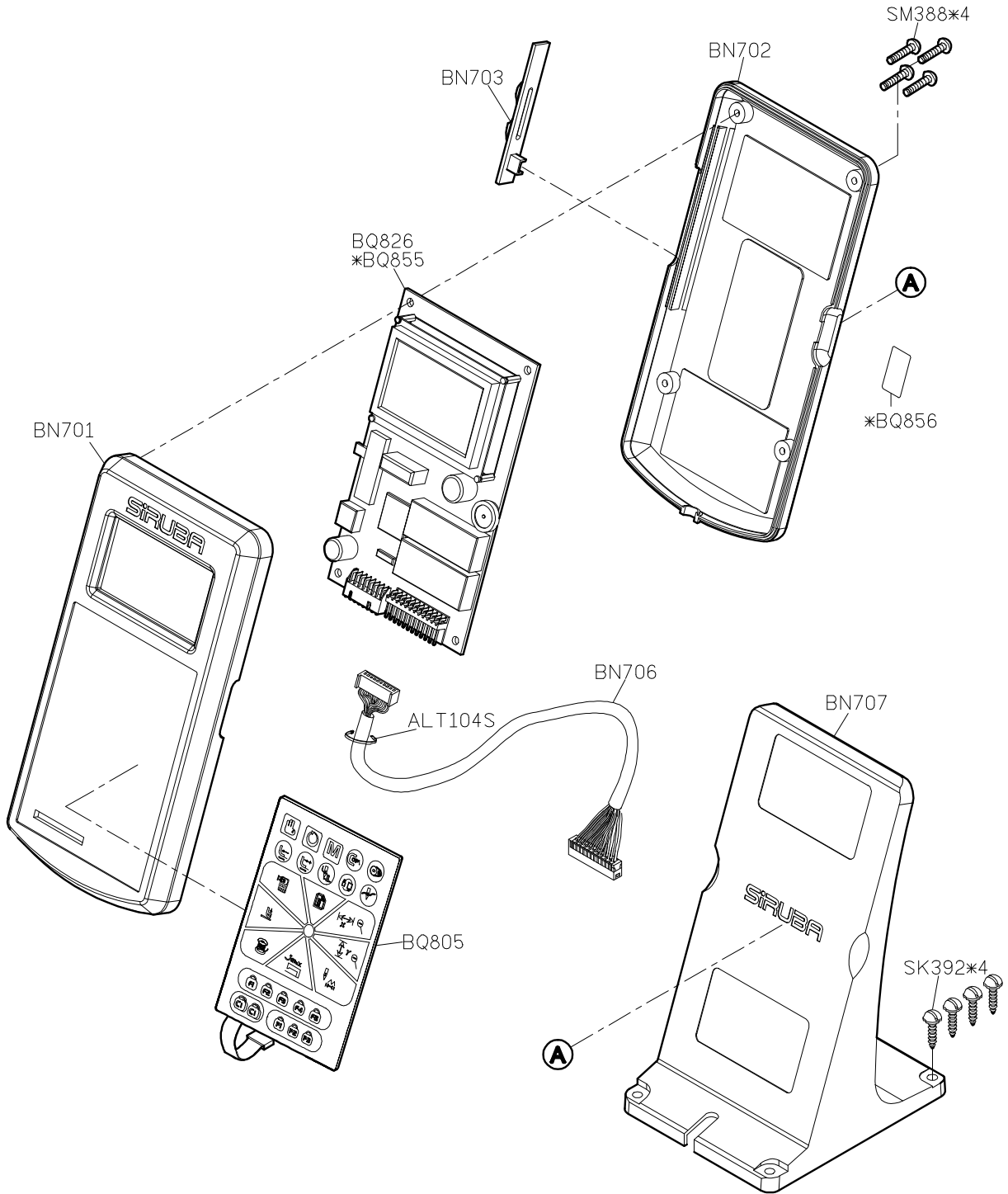
A

B

C

D

E



1

2

3

4

5

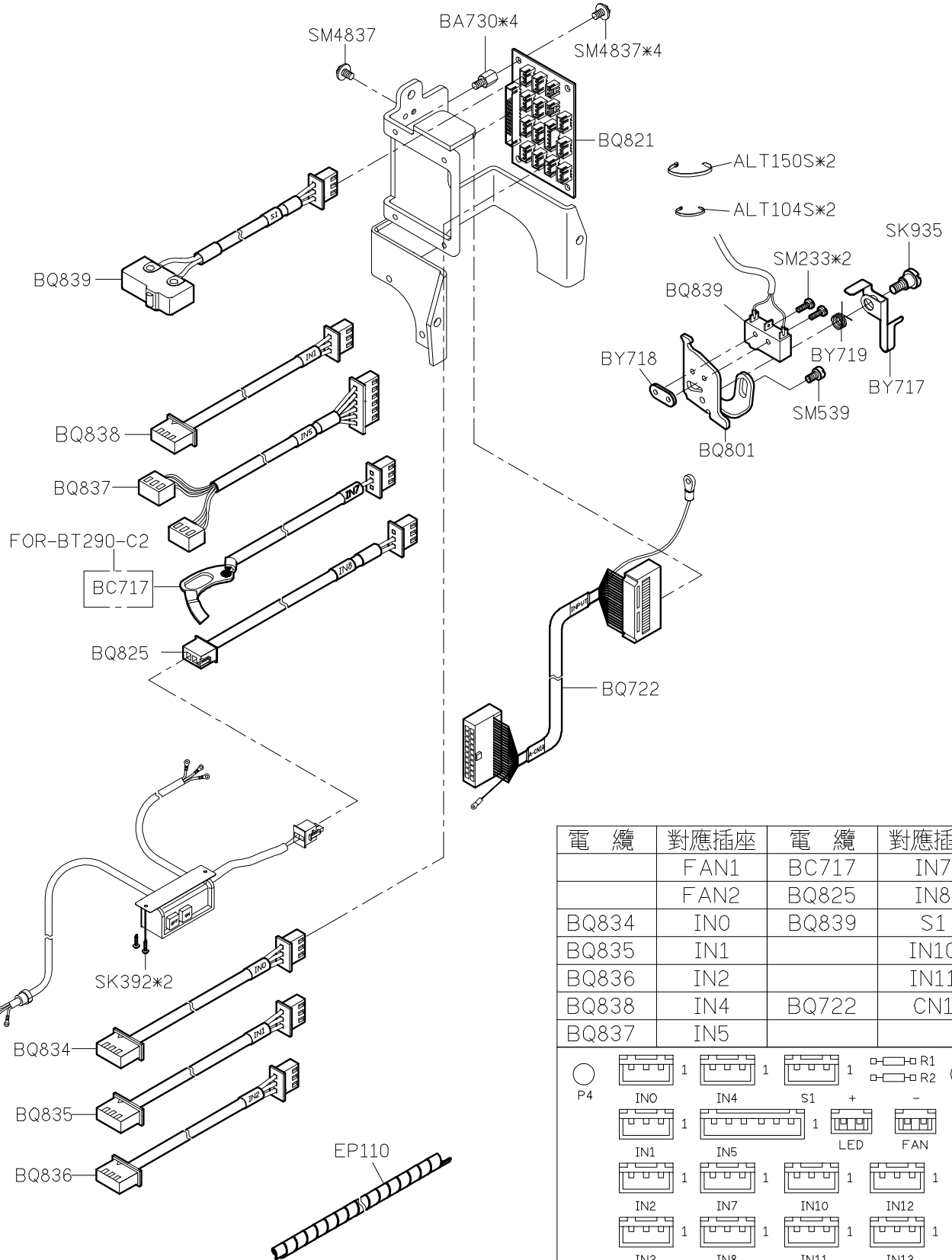
A

B

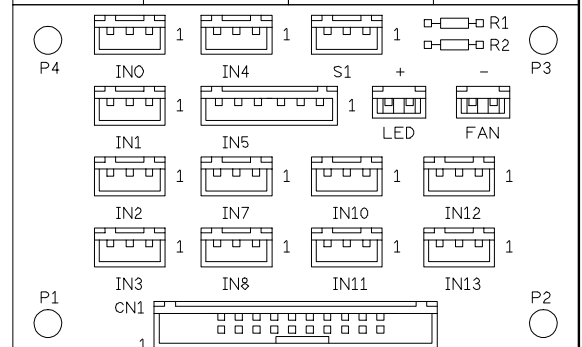
C

D

E



| 電 纜 | 對應插座 | 電 纜 | 對應插座 |
|-------|------|-------|------|
| | FAN1 | BC717 | IN7 |
| | FAN2 | BQ825 | IN8 |
| BQ834 | IN0 | BQ839 | S1 |
| BQ835 | IN1 | | IN10 |
| BQ836 | IN2 | | IN11 |
| BQ838 | IN4 | BQ722 | CN1 |
| BQ837 | IN5 | | |



1

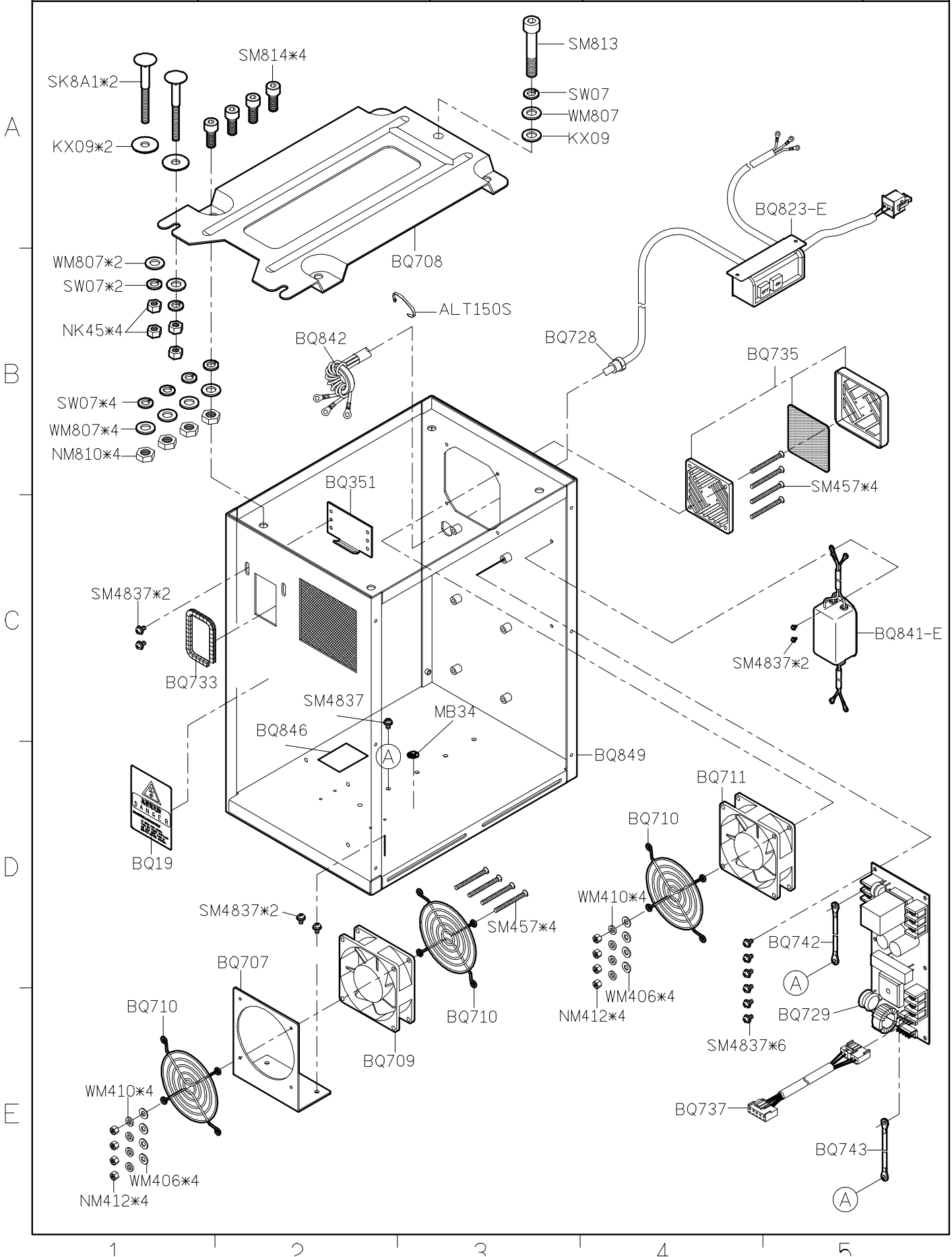
2

3

4

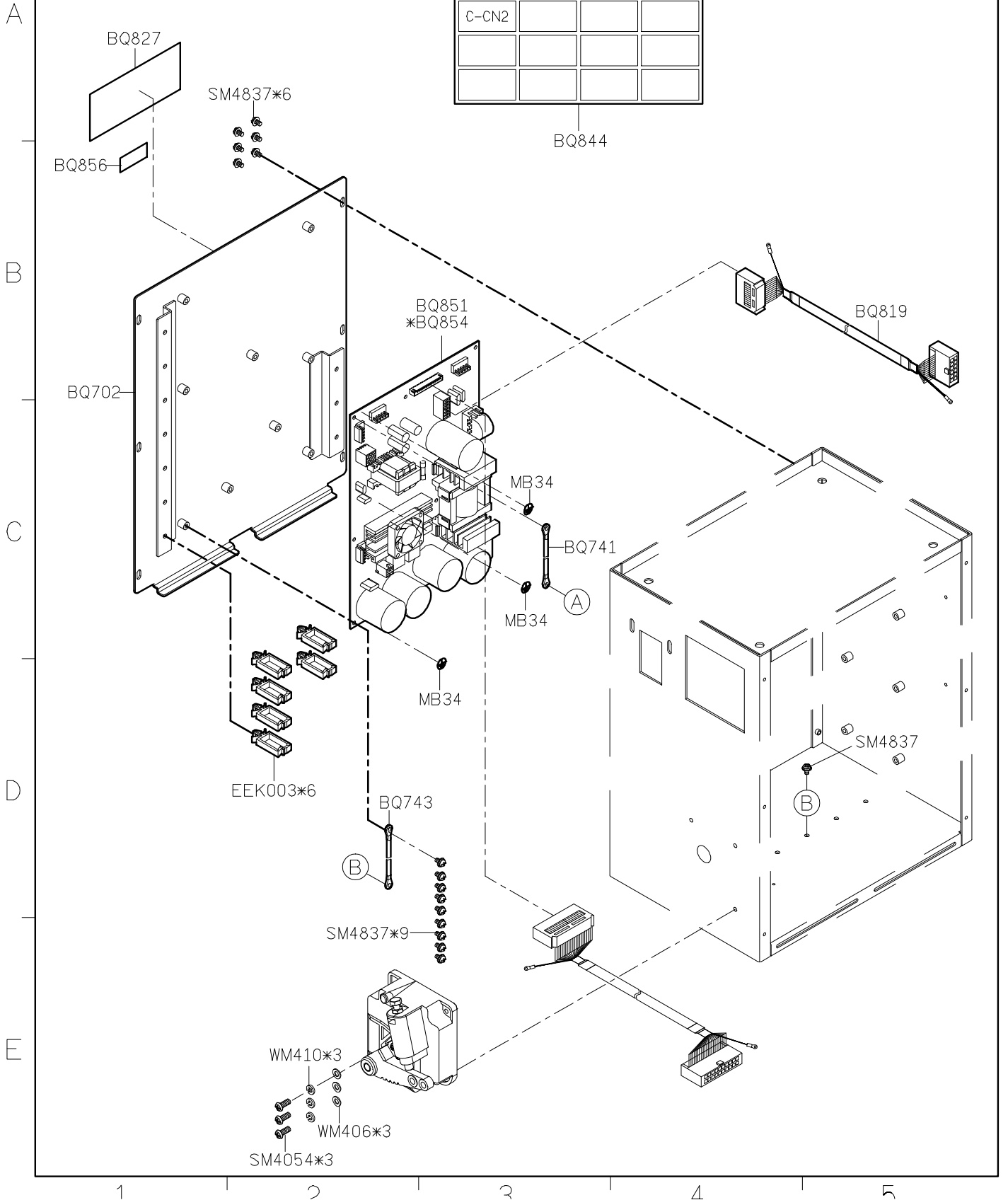
5

| SIRUBA PARTS LIST | Series | Parts Group | Subclass / Remark | Page |
|----------------------|--------|-------------|-------------------|------------|
| | BT290 | BQ | | 3/5 |
| | | | | Date |
| | | | | 2012/08/22 |



| | | | |
|--------|--------|-------|--------|
| A-CN1 | A-CN3 | A-CN6 | A-CN11 |
| A-CN18 | A-CN22 | B-CN2 | B-CN6 |
| C-CN2 | | | |
| | | | |
| | | | |

BQ844



1

2

3

4

5

| SIRUBA PARTS LIST | Series | Parts Group | Subclass / Remark | Page |
|----------------------|--------|-------------|-------------------|------------|
| | BT290 | BQ | | 5/5 |
| | | | | Date |
| | | | | 2012/08/22 |

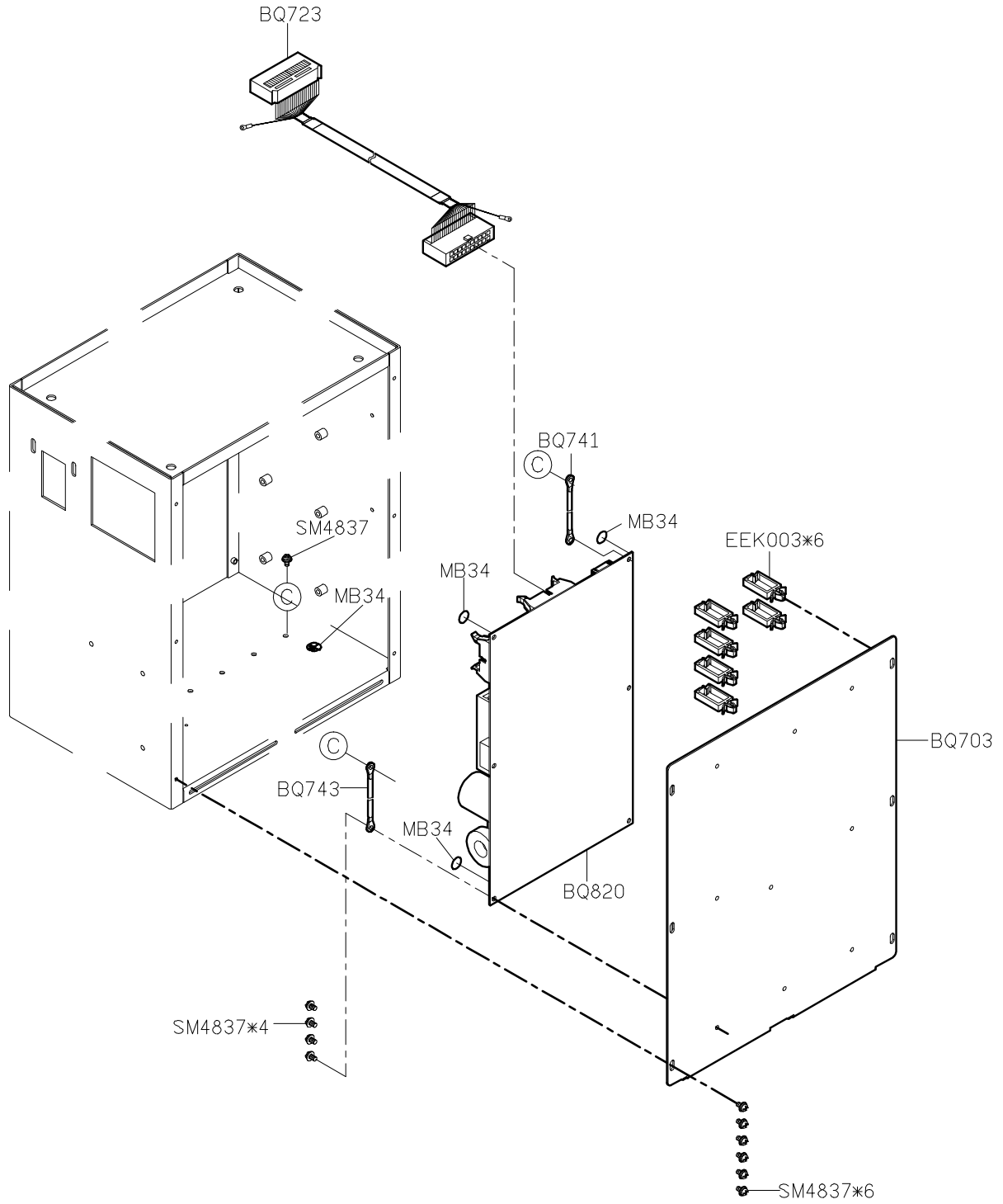
A

B

C

D

E



1





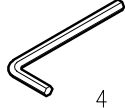
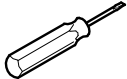

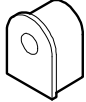

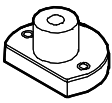


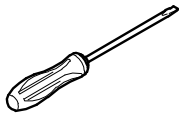

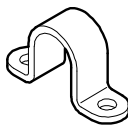
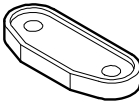
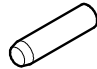





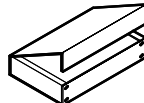


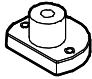





2

3

4

5

| SIRUBA PARTS LIST | Series | Parts Group | Subclass / Remark | Page |
|----------------------|--------|-------------|---------------------|------------|
| | BT290 | BY | *: Use for BT290-A1 | 1/2 |
| | | | | Date |
| | | | | 2012/08/22 |

| | | | | | | |
|---|---|---|--|--|--|---|
| A | BY804  | BY805*2  | BY806  | BY808  | MY12  | MY13  |
| B | MY01  | BY301*2  | KY16  | BY123  | LY37-A  | KY18  |
| C | KY17  | GXXX*2  | BY302*2  | BY303*2  | BA304*2  | KZ03*3  |
| D | 針*2  | BY503  | KY05-A  | KY201  | KZ23  | KY03  |
| E | *BY124  | *BY123  | BY807  | ANC08*4  | FU102  | FU103  |
| | FU201  | | | | | |
| | 1 | 2 | 3 | 4 | 5 | |

| | | | | |
|--|---------------|--------------------|--------------------------|-------------|
| SIRUBA PARTS LIST | Series | Parts Group | Subclass / Remark | Page |
| | BT290 | BY | Use for BT290-A1/A2 | 2/2 |
| | | | | Date |
| | | | | 2012/08/22 |

BY124-A

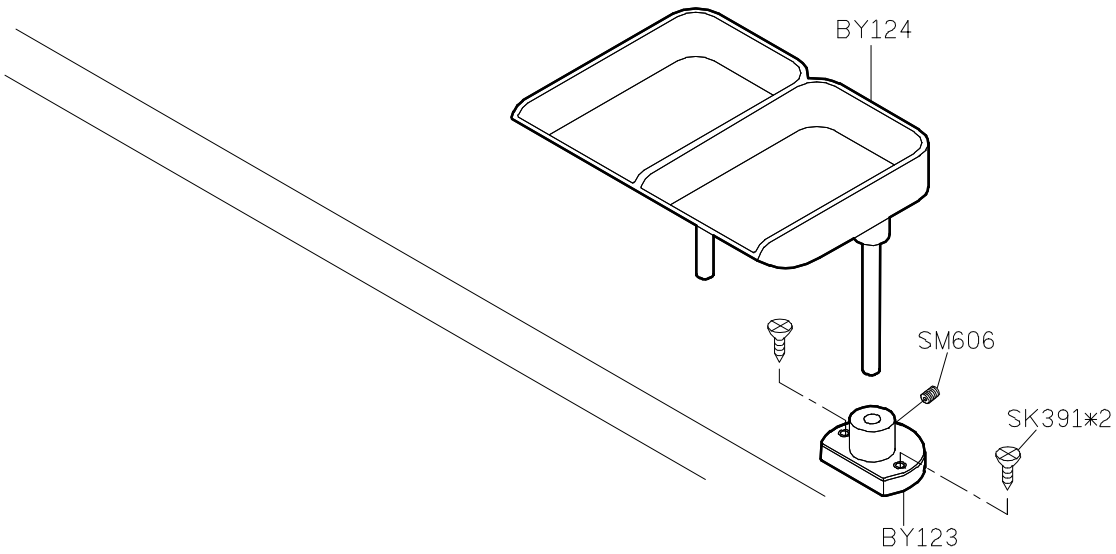
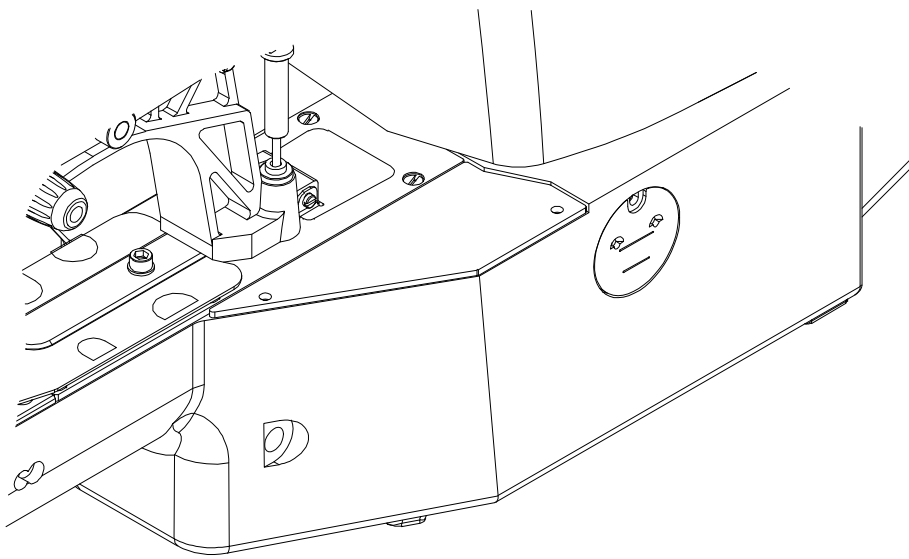
A

B

C

D

E



1

2

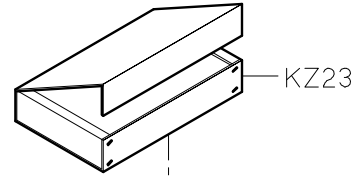
3

4

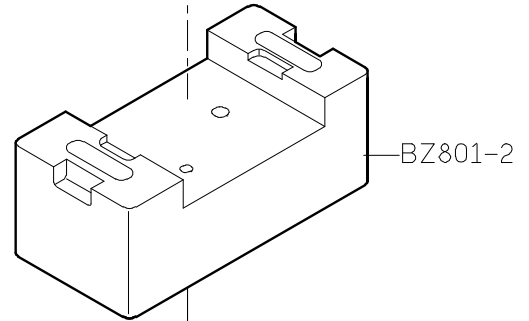
5

| SIRUBA PARTS LIST | Series | Parts Group | Subclass / Remark | Page |
|------------------------------------|--------------|-------------|-------------------|------------|
| | BT290 | BZ | | 1/2 |
| | | | | Date |
| | | | | 2012/08/22 |

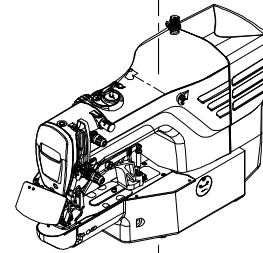
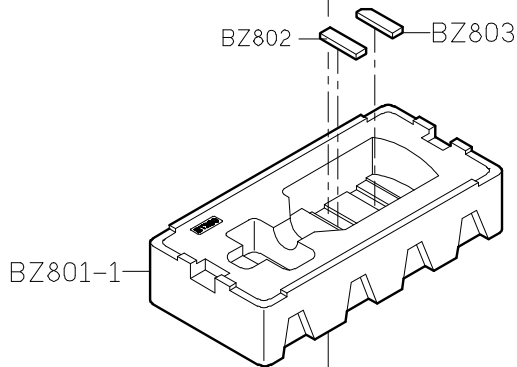
A



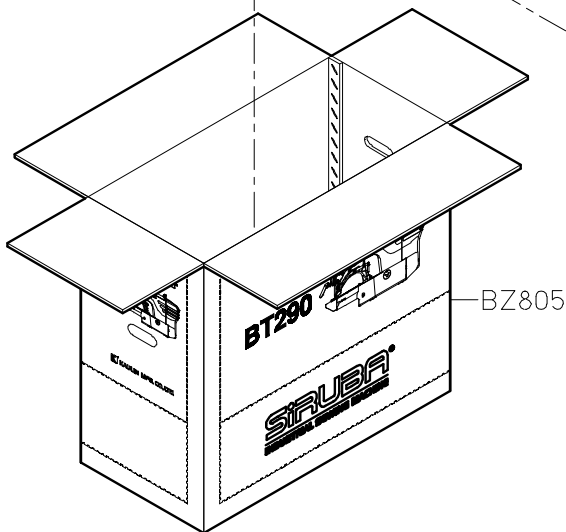
B



C



D



E

1

2

3

4

5

| SIRUBA PARTS LIST | Series | Parts Group | Subclass / Remark | Page |
|----------------------|--------|-------------|-------------------|------------|
| | BT290 | BZ | | 2/2 |
| | | | | Date |
| | | | | 2012/08/22 |

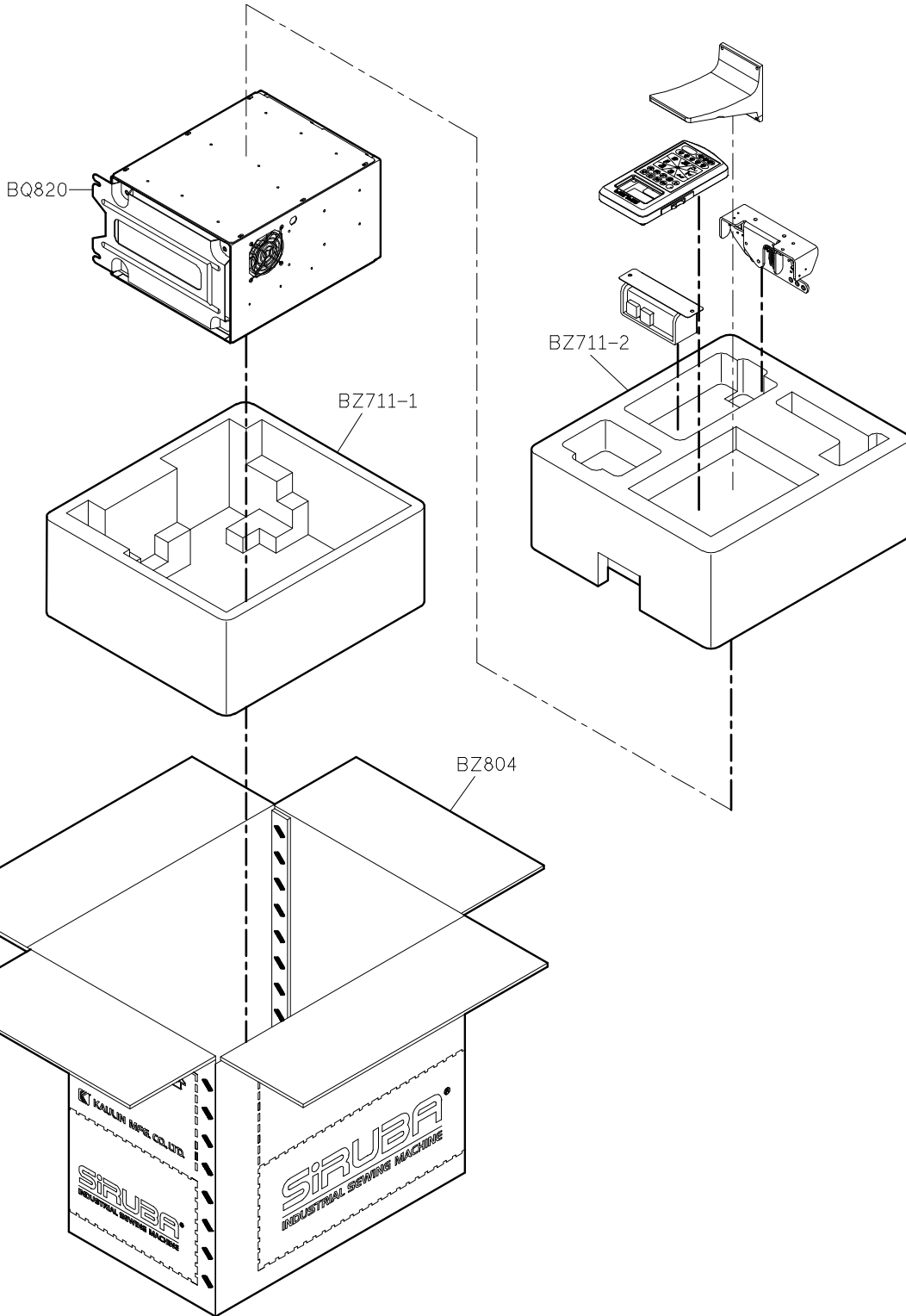
A

B

C

D

E



1

2

3

4

5

| SIRUBA PARTS LIST | Series | Parts Group | Subclass / Remark | Page |
|----------------------|--------|-------------|-------------------|------------|
| | BT290 | CS | | 1/1 |
| | | | | Date |
| | | | | 2012/08/22 |

A

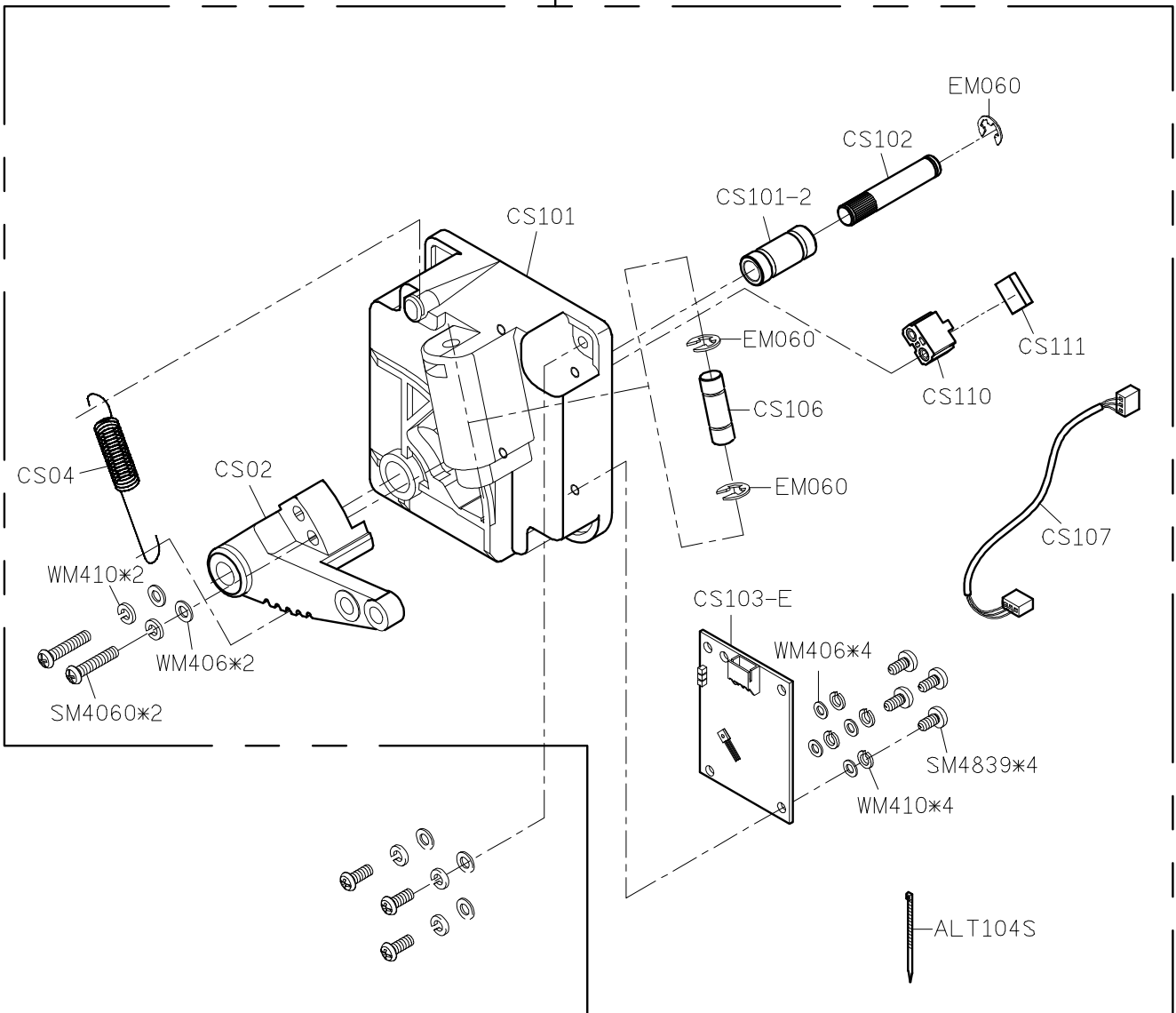
CS101-A

B

C

D

E



1

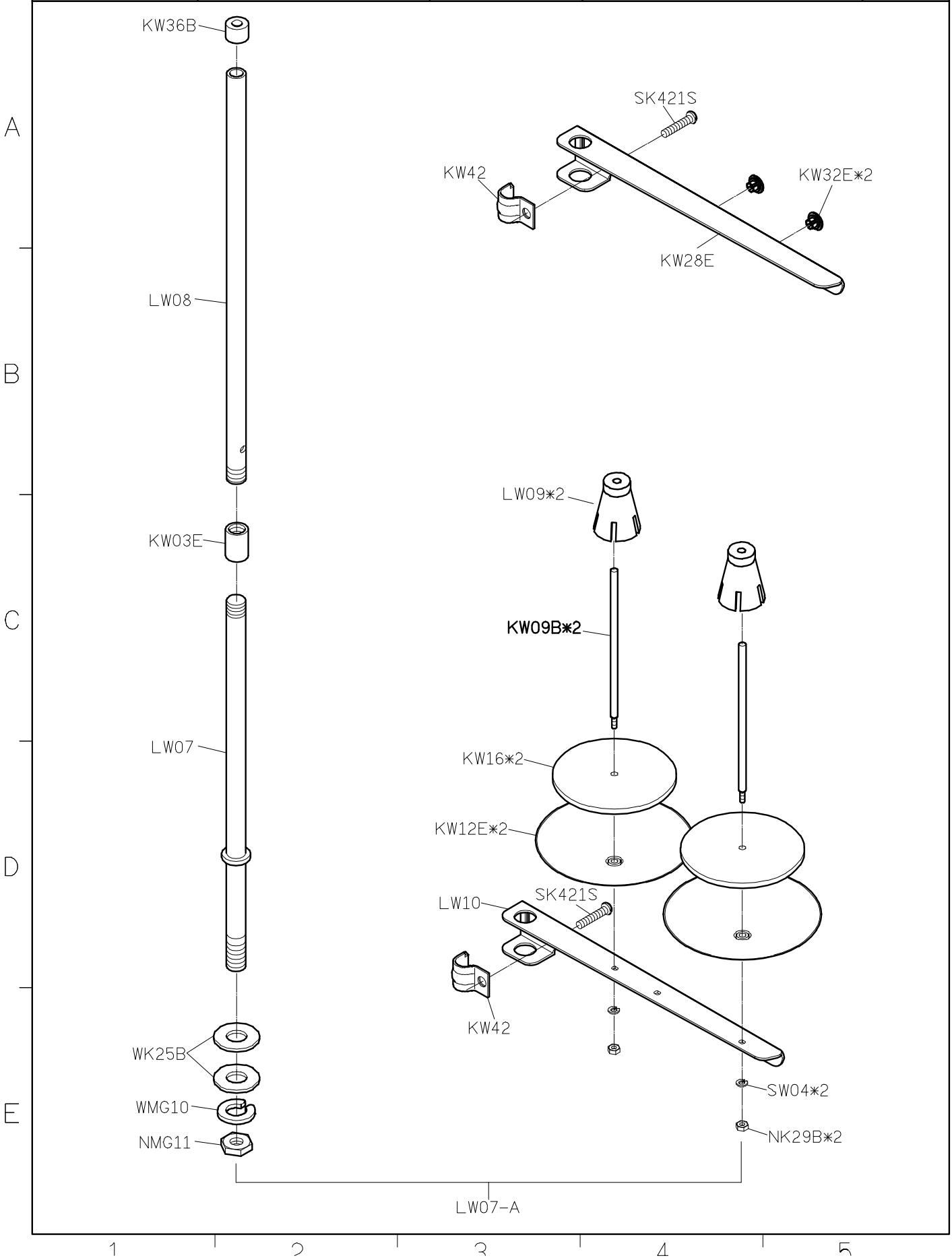
2

3

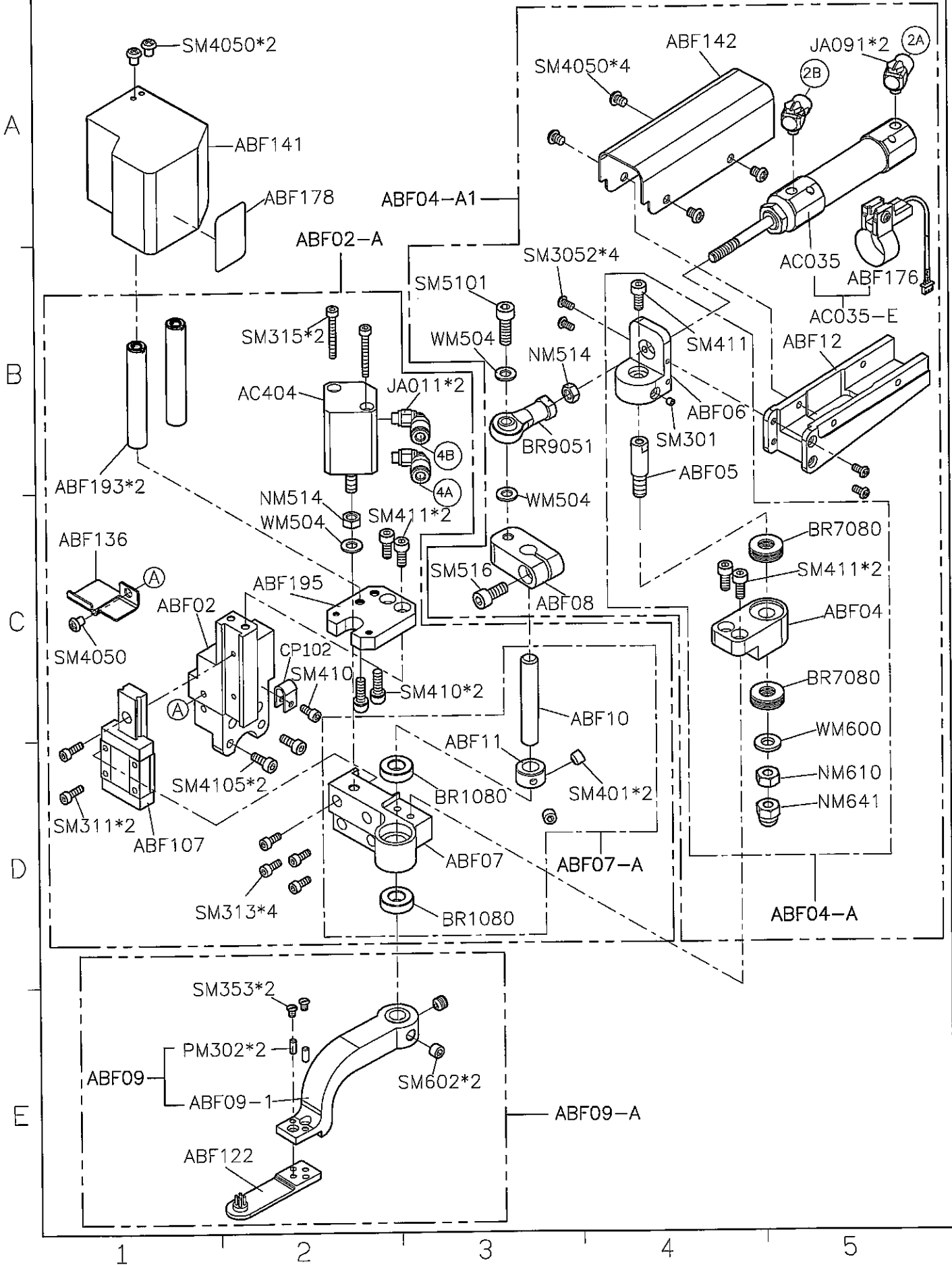
4

5

| SIRUBA PARTS LIST | Series | Parts Group | Subclass / Remark | Page |
|----------------------|--------|-------------|-------------------|------------|
| | BT290 | LW | | 1/1 |
| | | | | Date |
| | | | | 2012/08/22 |

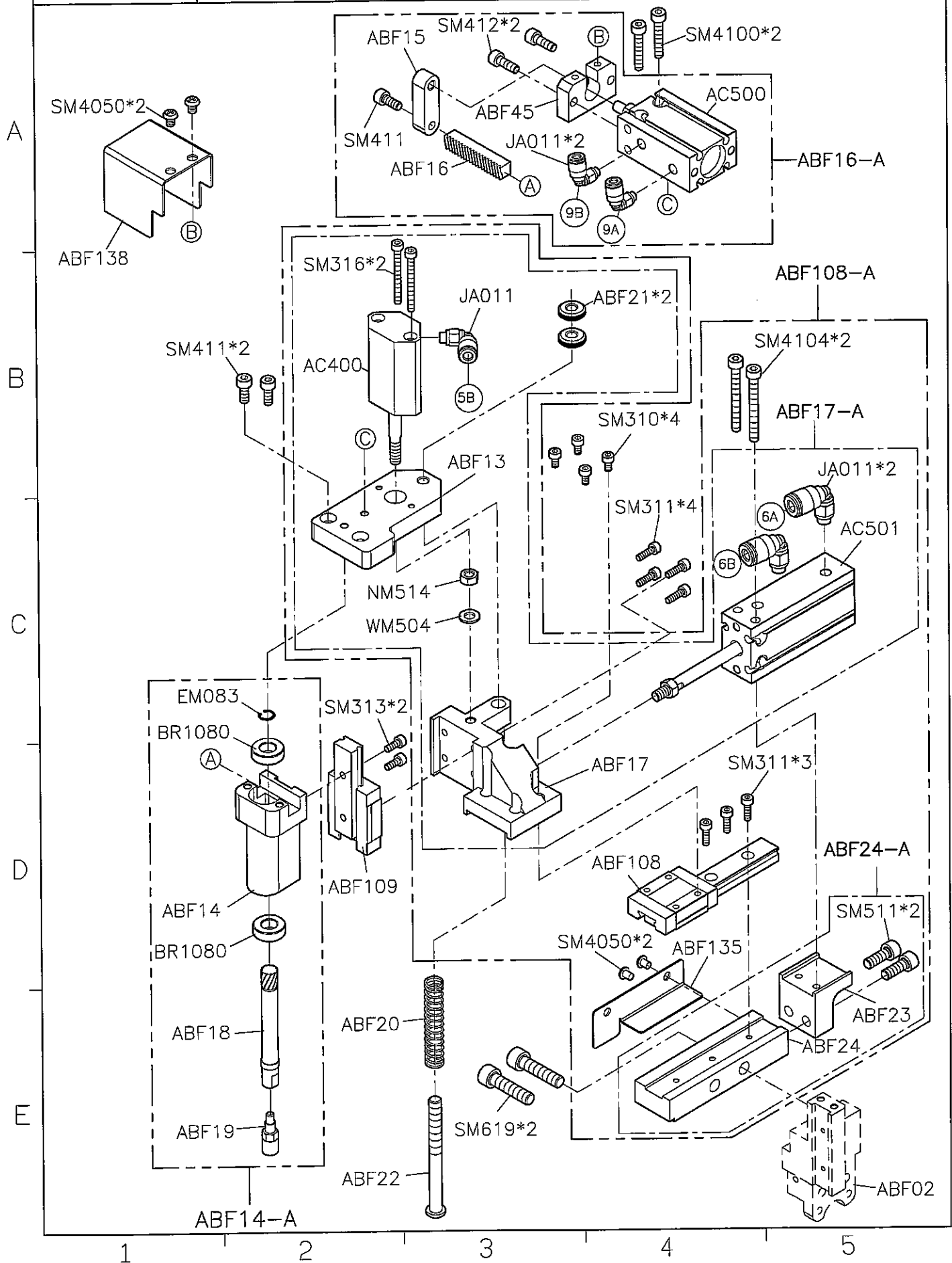


| SIRUBA | Series | Parts Group | Subclass Remark | Page |
|--------|------------|-------------|-----------------|--|
| | PARTS LIST | BT290 | ABF | <div style="border: 1px solid red; border-radius: 50%; padding: 5px; display: inline-block;"> 研發部 2012.09.03 發行 </div> |



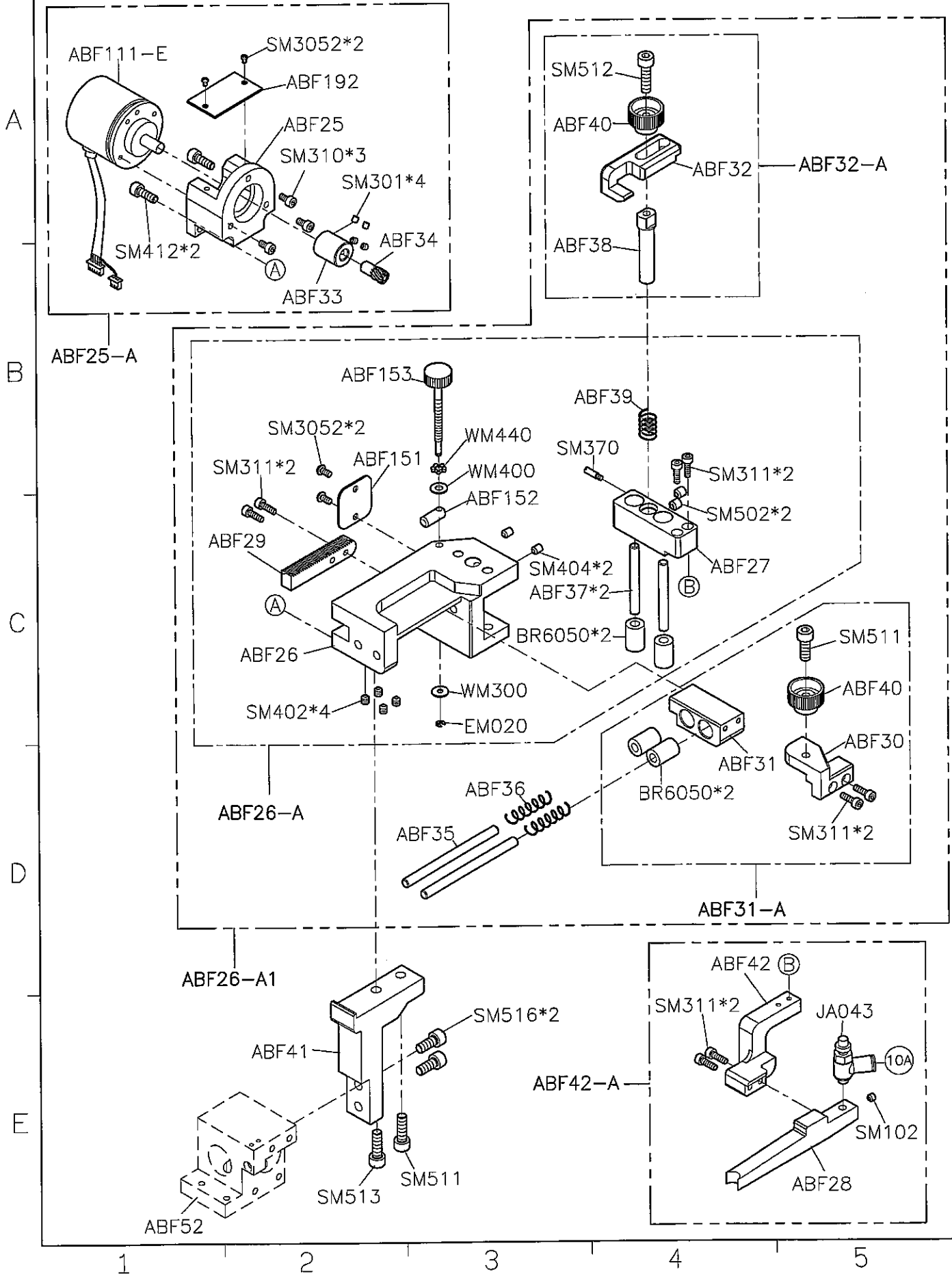
| | | | | |
|---------------|--------------|-------------|-----------------|------------|
| SIRUBA | Series | Parts Group | Subclass Remark | Page |
| | BT290 | ABF | | 2/14 |
| PARTS LIST | | | | Date |
| | | | | 2012/08/17 |

研發部
2012.09.03
發行



| | | | | |
|---------------|--------------|-------------|-----------------|------------|
| SIRUBA | Series | Parts Group | Subclass Remark | Page |
| | BT290 | ABF | | 3/14 |
| PARTS LIST | | | | Date |
| | | | | 2012/08/17 |

研發部
 2012.09.03
 發行



| | | | | |
|---------------|--------|-------------|-----------------|------------|
| SIRUBA | Series | Parts Group | Subclass Remark | Page |
| | BT290 | ABF | | 4/14 |
| PARTS LIST | | | | Date |
| | | | | 2012/08/17 |

研發部
 2012.09.03
 發行

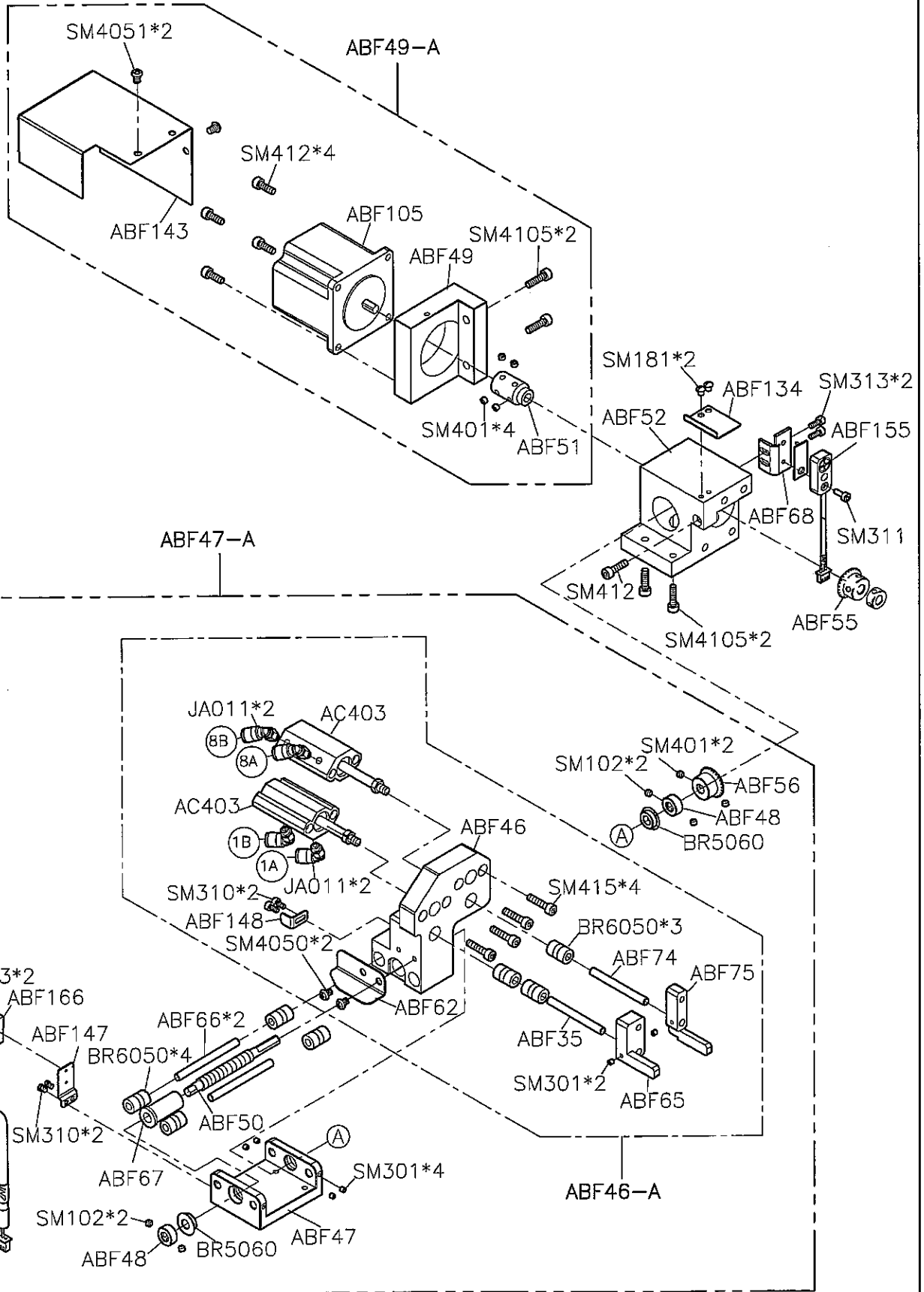
A

B

C

D

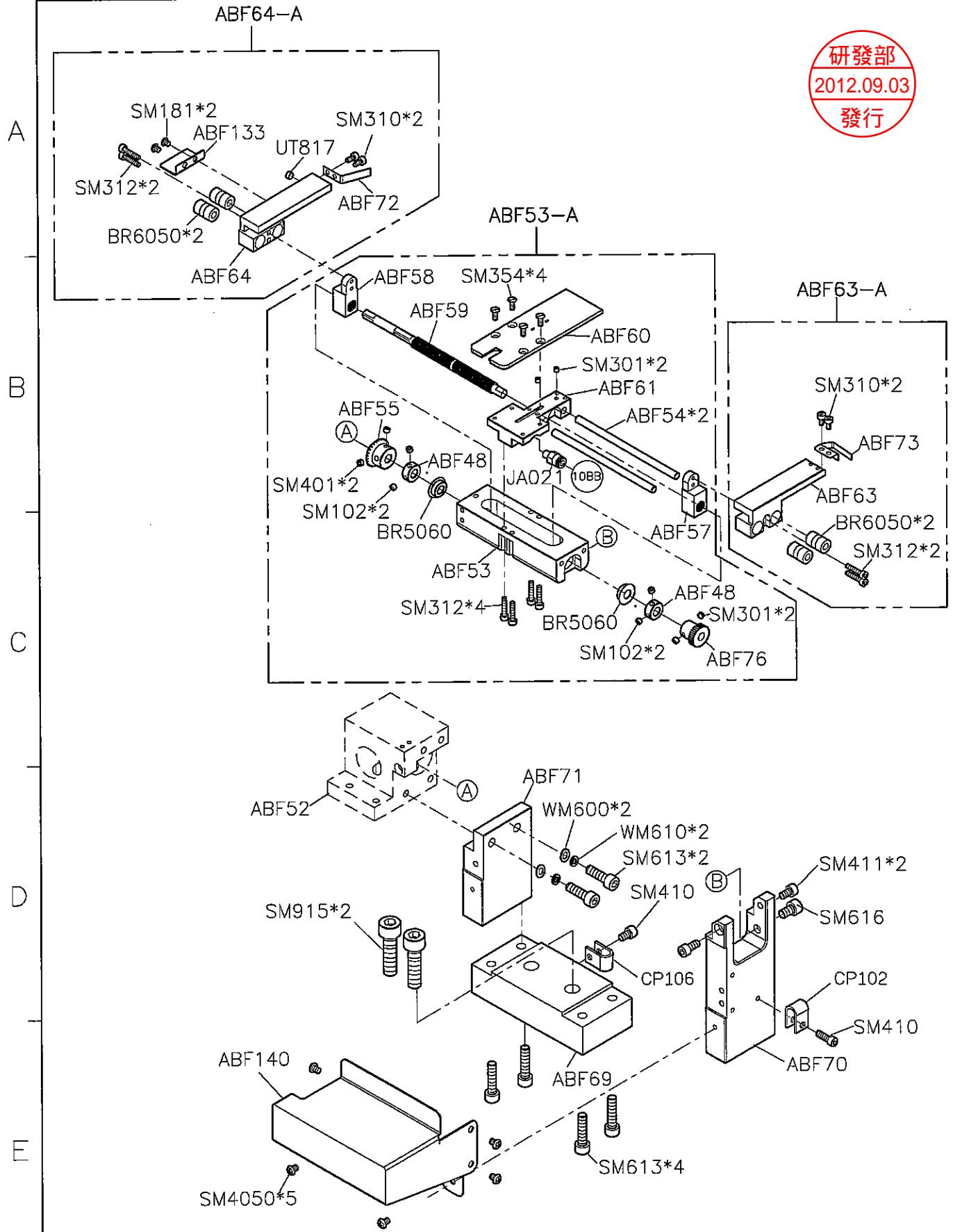
E



1 2 3 4 5

| SIRUBA | Series | Parts Group | Subclass Remark | Page |
|------------|--------|-------------|-----------------|------------|
| PARTS LIST | BT290 | ABF | | 5/14 |
| | | | | Date |
| | | | | 2012/08/17 |

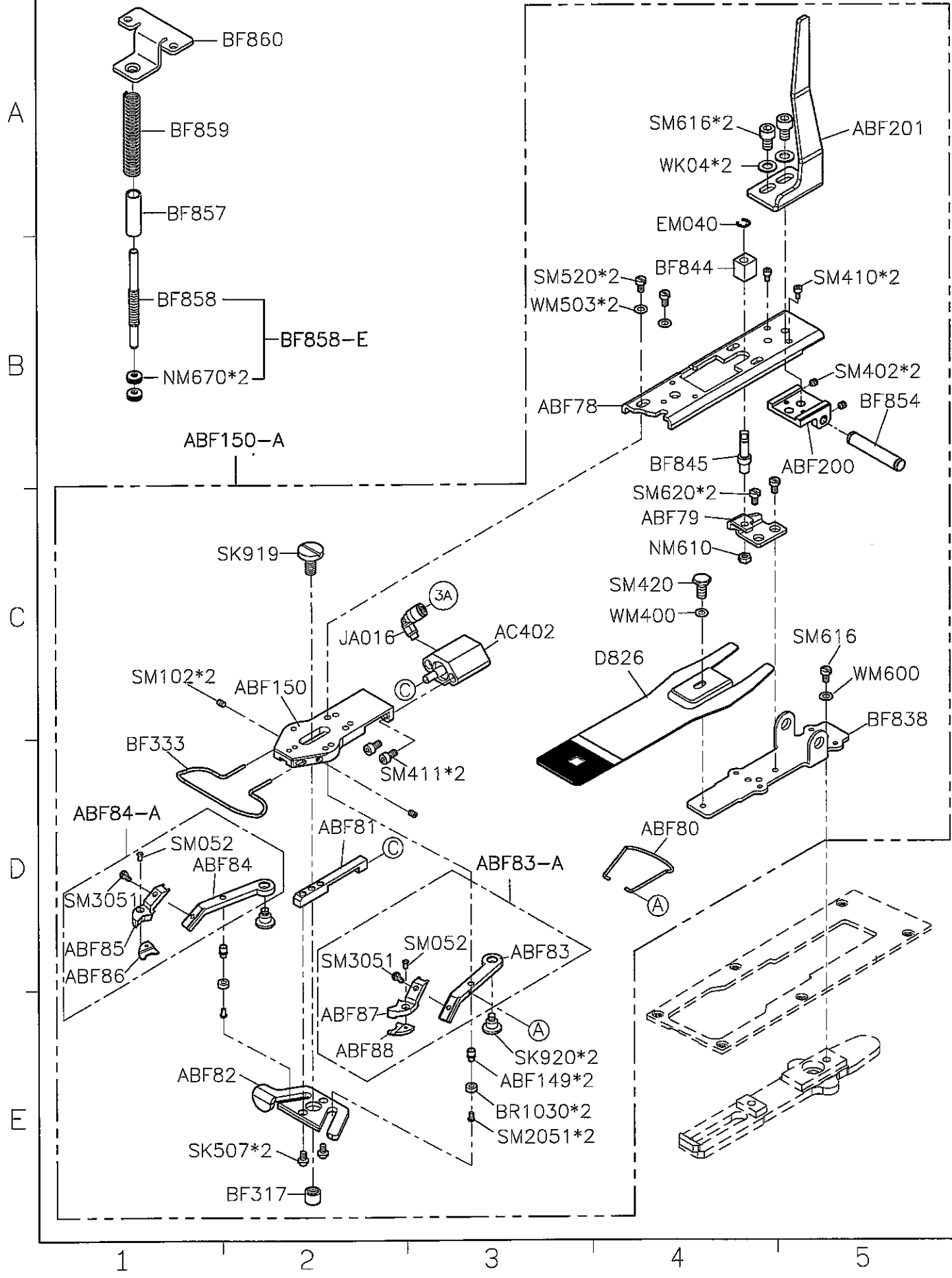
研發部
 2012.09.03
 發行



1 2 3 4 5

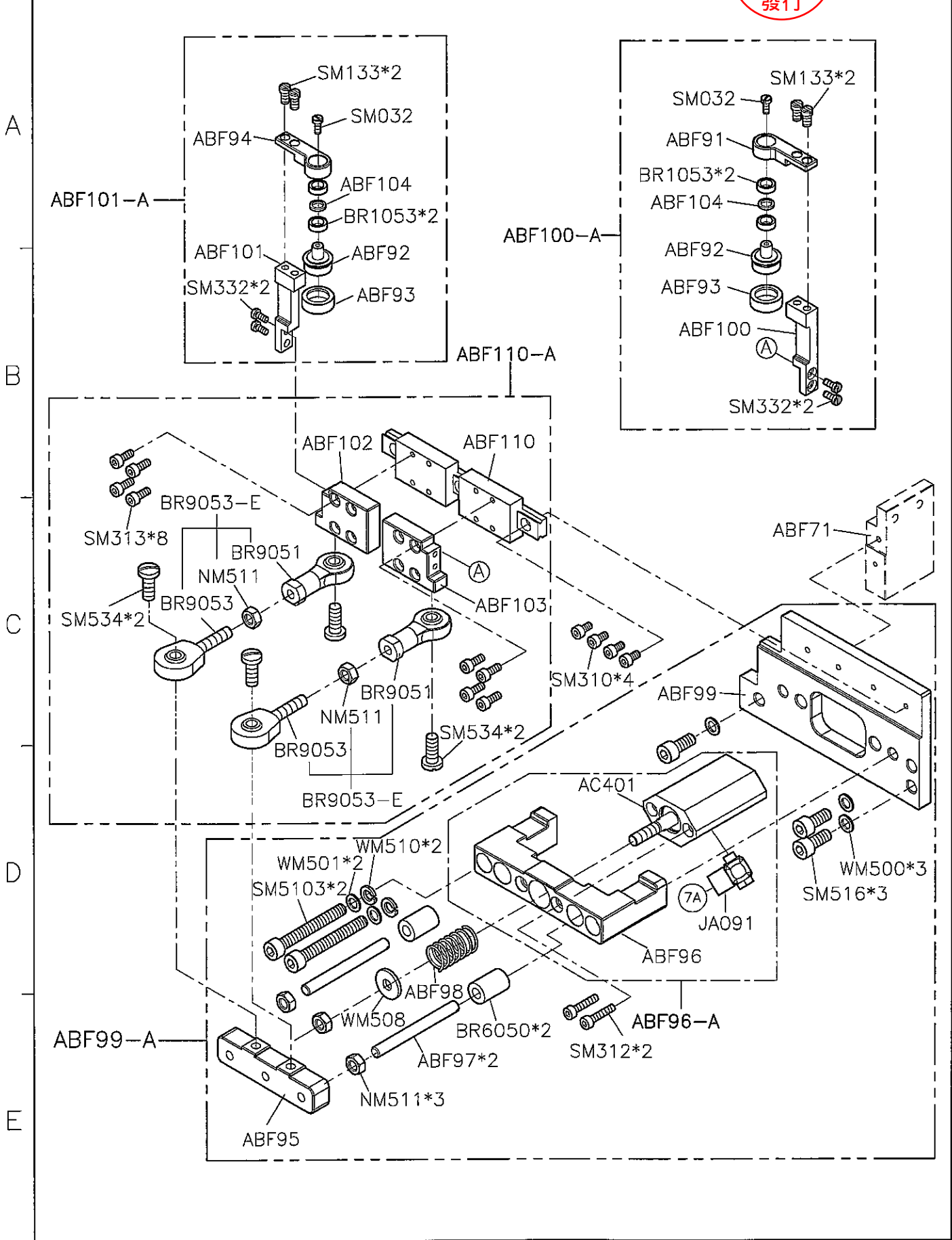
| | | | | |
|---------------|--------|-------------|-----------------|------------|
| SIRUBA | Series | Parts Group | Subclass Remark | Page |
| | BT290 | ABF | | 6/14 |
| PARTS LIST | | | | Date |
| | | | | 2012/08/17 |

研發部
 2012.09.03
 發行



| | | | | |
|-----------------------------|--------|-------------|-----------------|------------|
| SIRUBA PARTS LIST | Series | Parts Group | Subclass Remark | Page |
| | BT290 | ABF | | 7/14 |
| | | | | Date |
| | | | | 2012/08/17 |

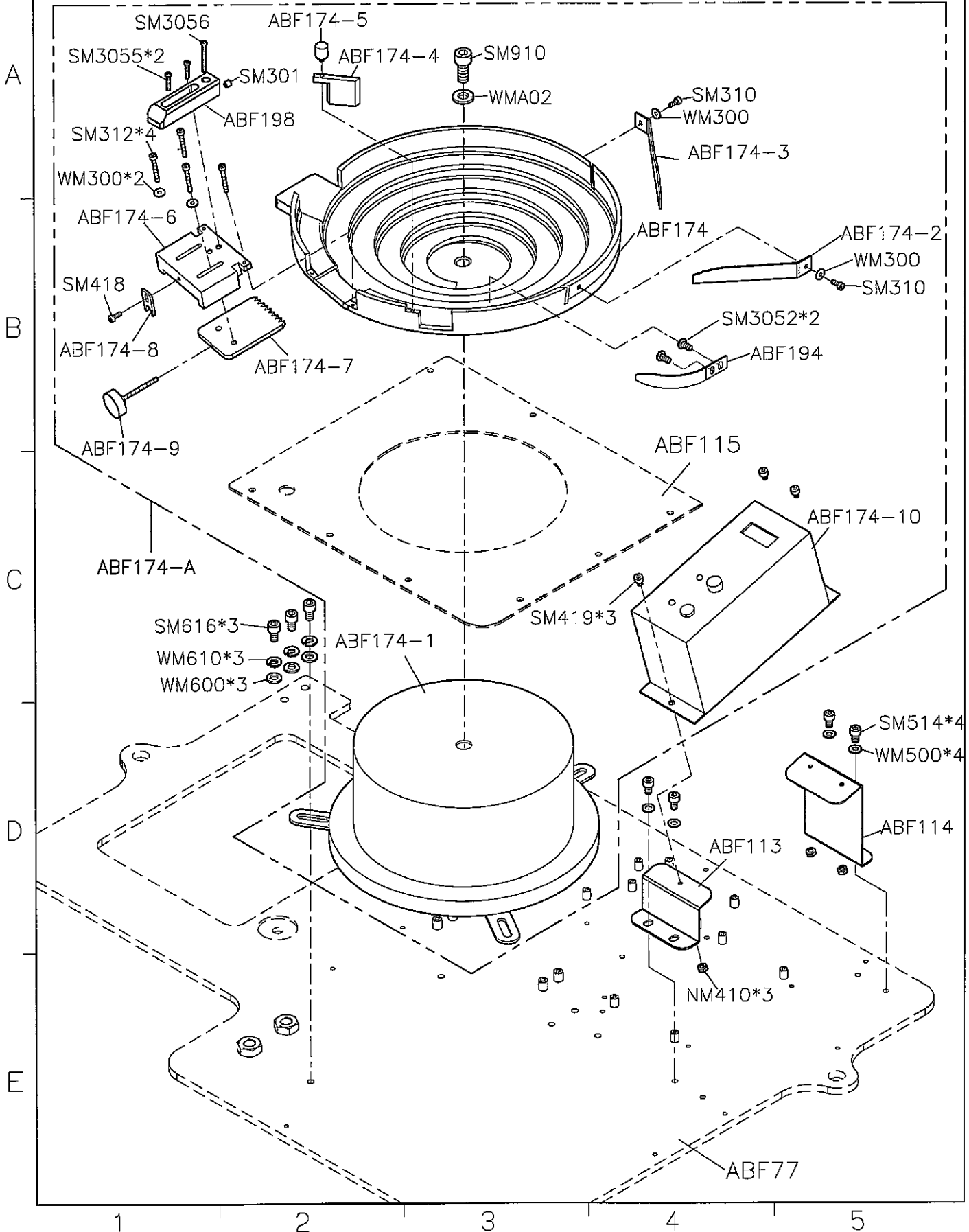
研發部
 2012.09.03
 發行



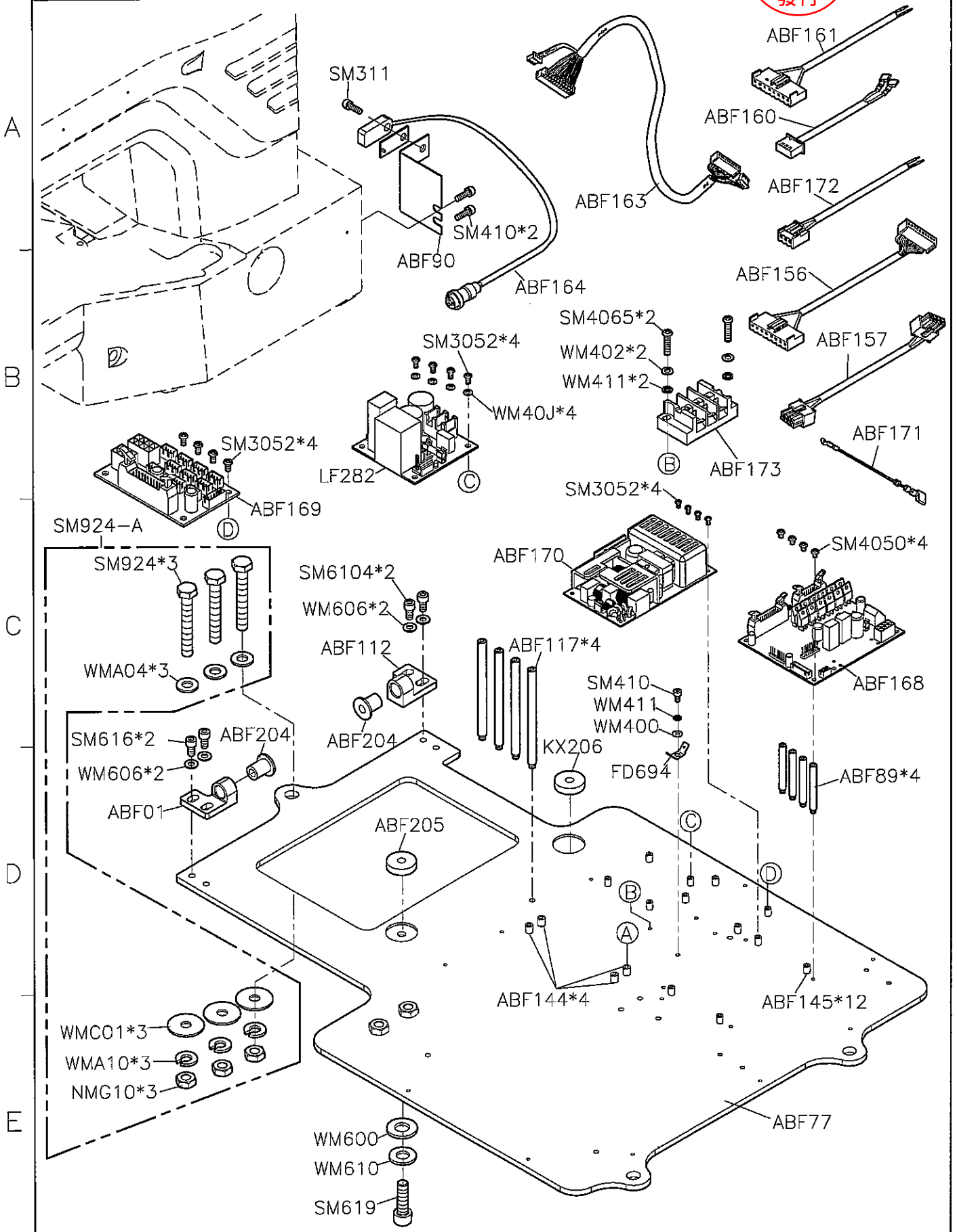
1 2 3 4 5

| | | | | |
|---------------|--------|-------------|-----------------|------------|
| SIRUBA | Series | Parts Group | Subclass Remark | Page |
| | BT290 | ABF | | 8/14 |
| PARTS LIST | | | | Date |
| | | | | 2012/08/17 |

研發部
 2012.09.03
 發行



研發部
2012.09.03
發行



1 2 3 4 5



A

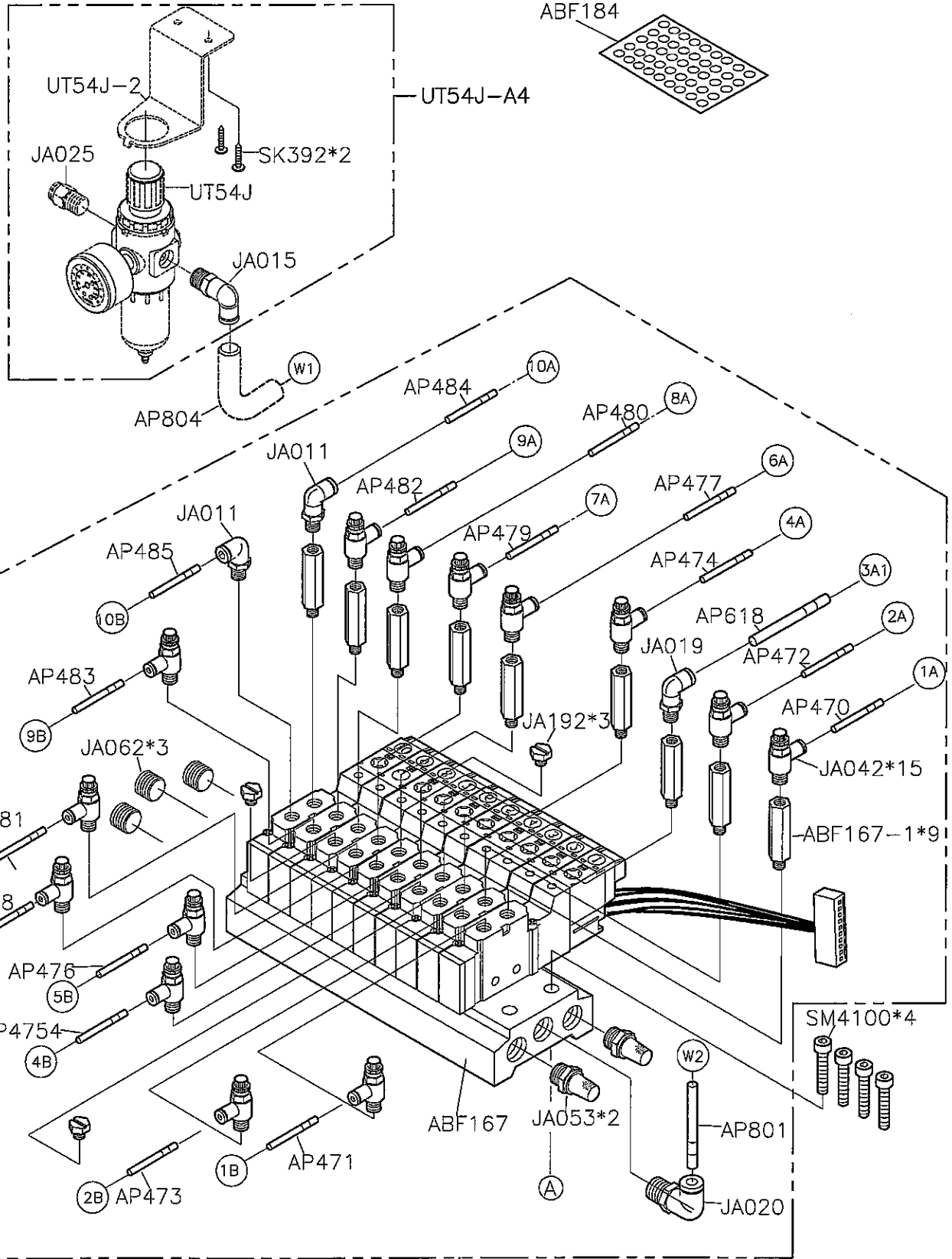
B

C

D

E

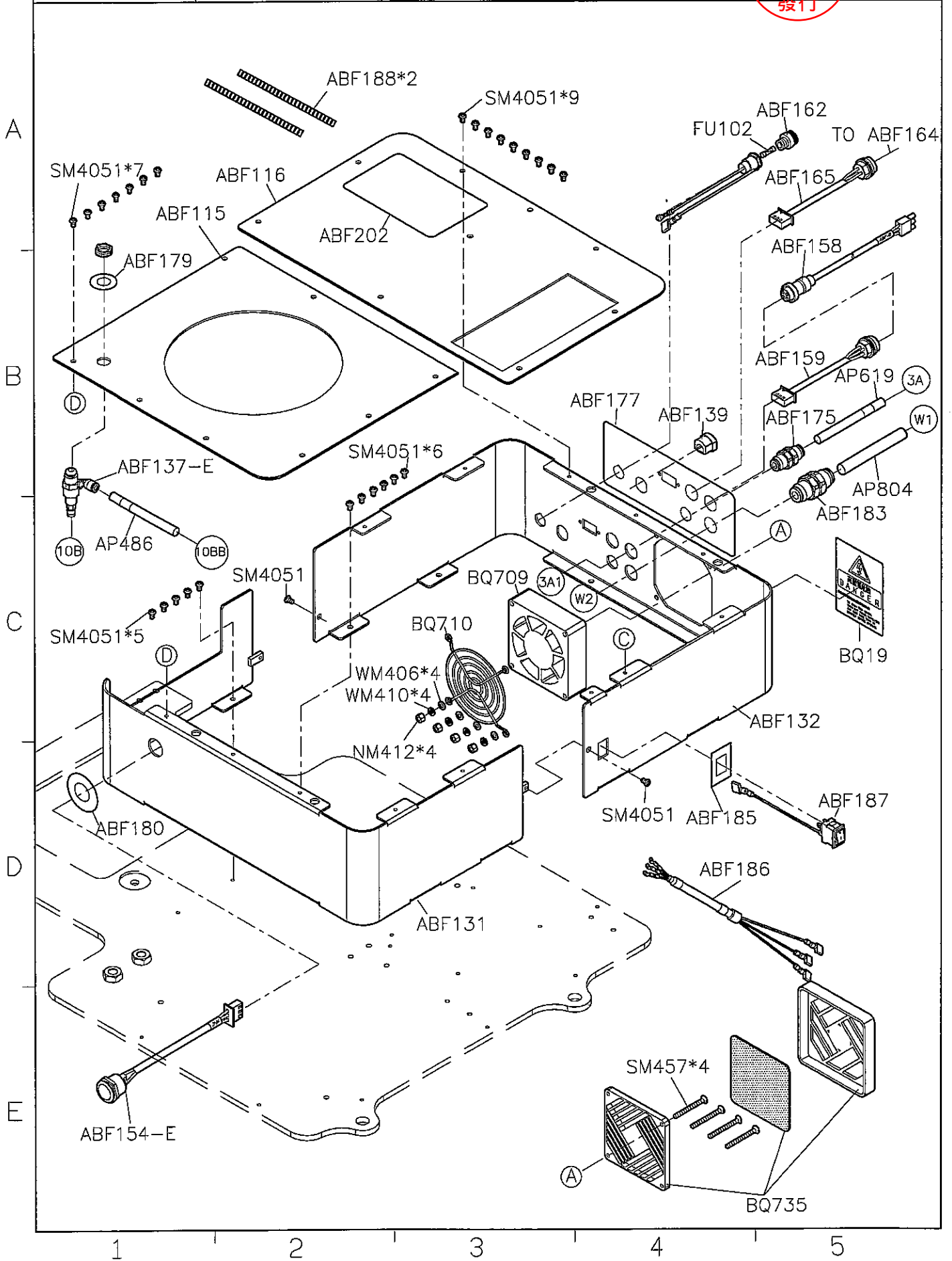
ABF184



ABF167-E

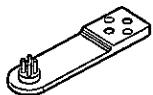
1 2 3 4 5

研發部
2012.09.03
發行

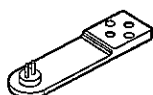


| | | | | |
|-----------------------------|--------|-------------|-------------------------|------------------------------|
| SIRUBA PARTS LIST | Series | Parts Group | Subclass Remark | Page |
| | BT290 | ABF | 研發部 2012.09.03 發行 | 12/14 Date: 2012/08/17 |

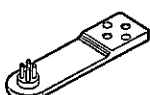
ABF118



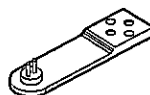
ABF119



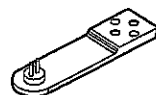
ABF120



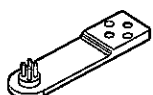
ABF121



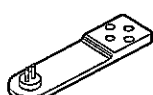
ABF123



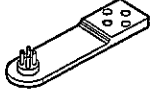
ABF124



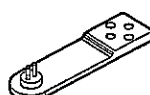
ABF125



ABF126



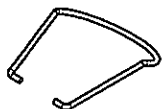
ABF127



ABF19*3



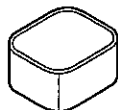
ABF80



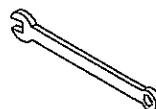
ABF93*4



ABF182



KY08*2



1

2

3

4

5

A

B

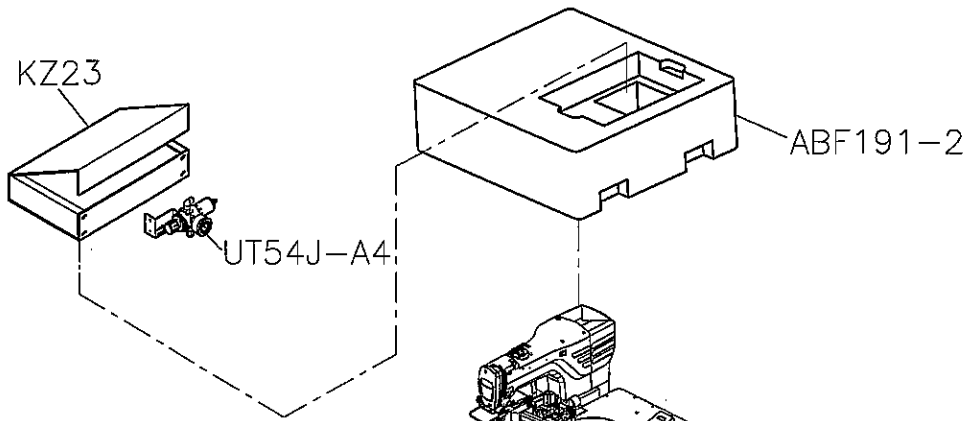
C

D

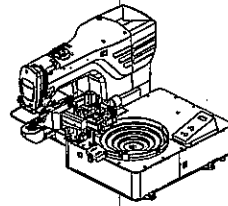
E

| SIRUBA PARTS LIST | Series | Parts Group | Subclass Remark | Page |
|----------------------|--------|-------------|--|-----------------------------|
| | BT290 | ABF | <div style="border: 1px solid red; border-radius: 50%; padding: 5px; display: inline-block;"> 研發部 2012.09.03 發行 </div> | 13/14 Date 2012/08/17 |

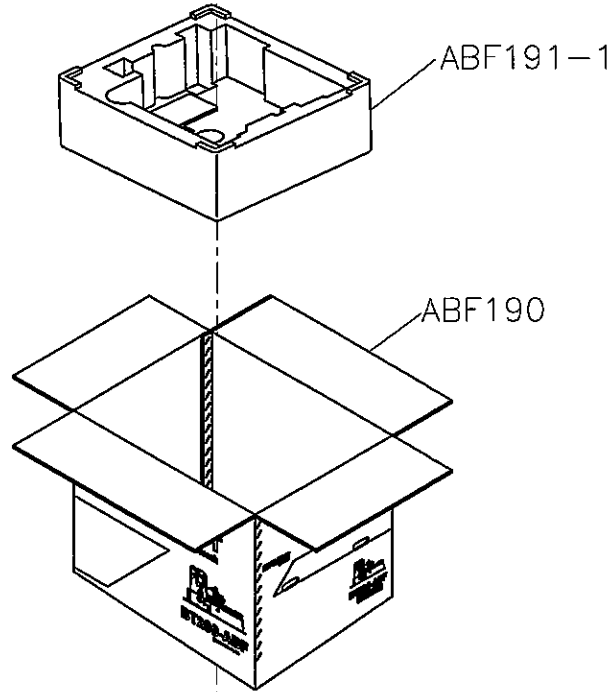
A



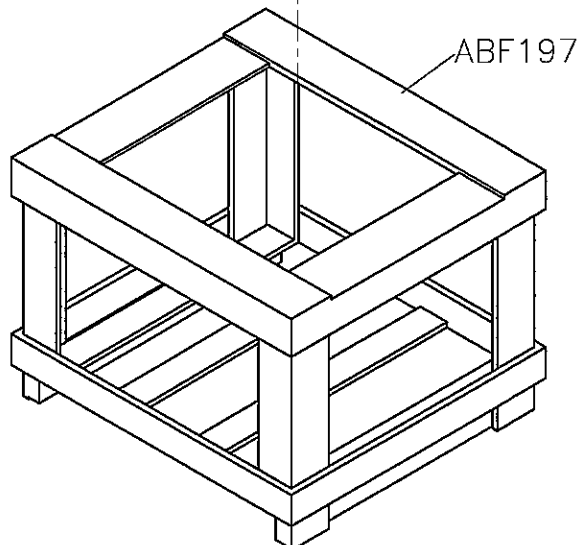
B



C



D



E

1

2

3

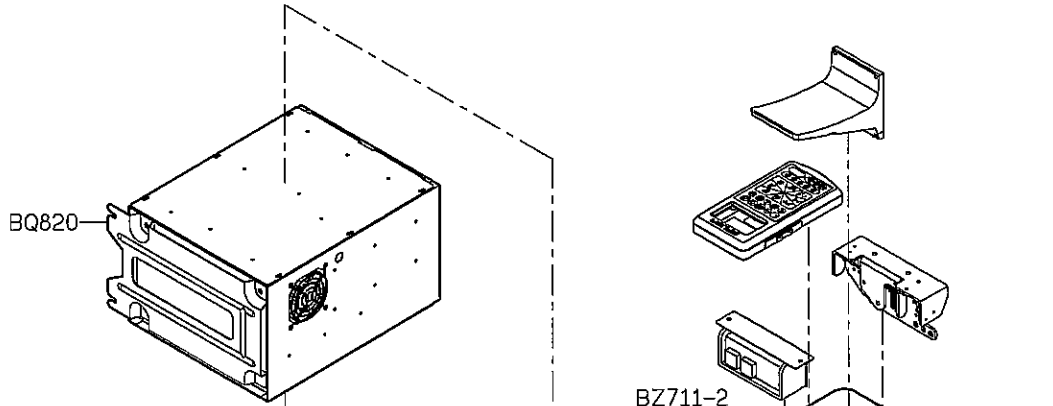
4

5

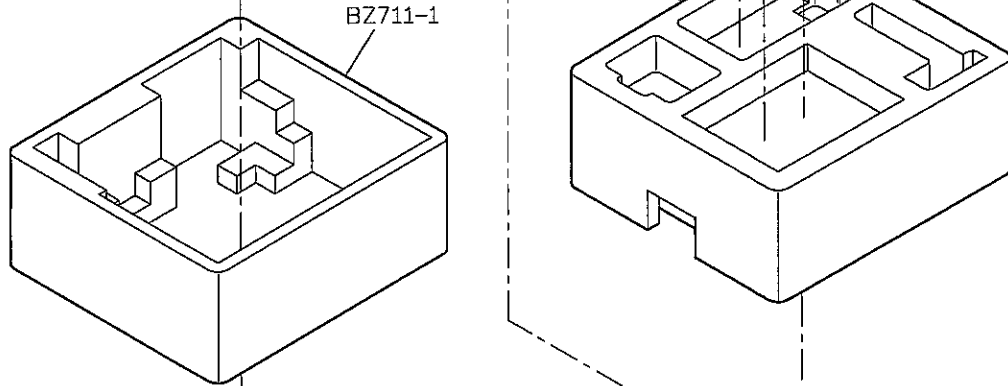
| SIRUBA PARTS LIST | Series | Parts Group | Subclass Remark | Page |
|----------------------|--------|-------------|-----------------|-----------------------------|
| | BT290 | ABF | | 14/14 Date 2012/08/17 |

研發部
 2012.09.03
 發行

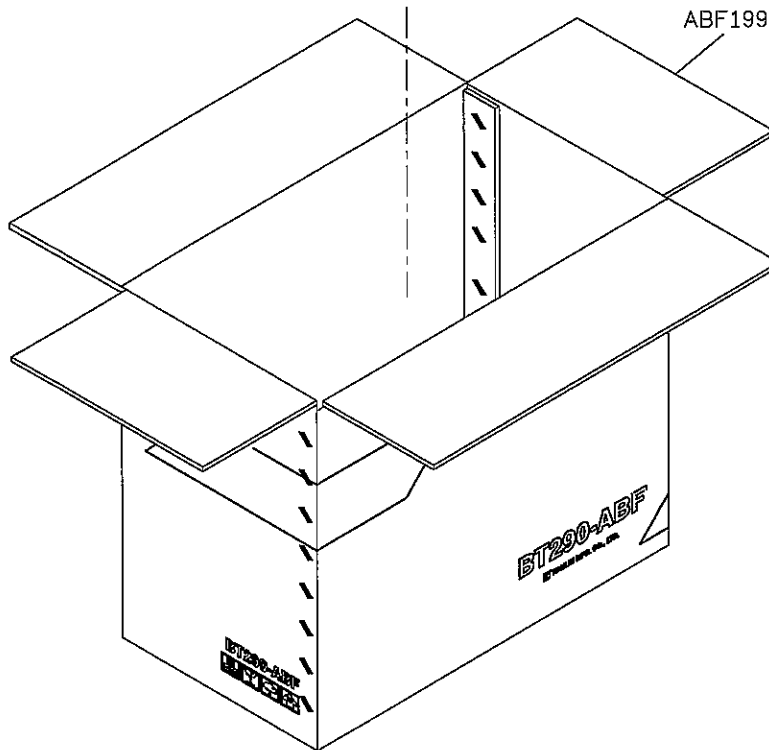
A



B



C



D

E

1

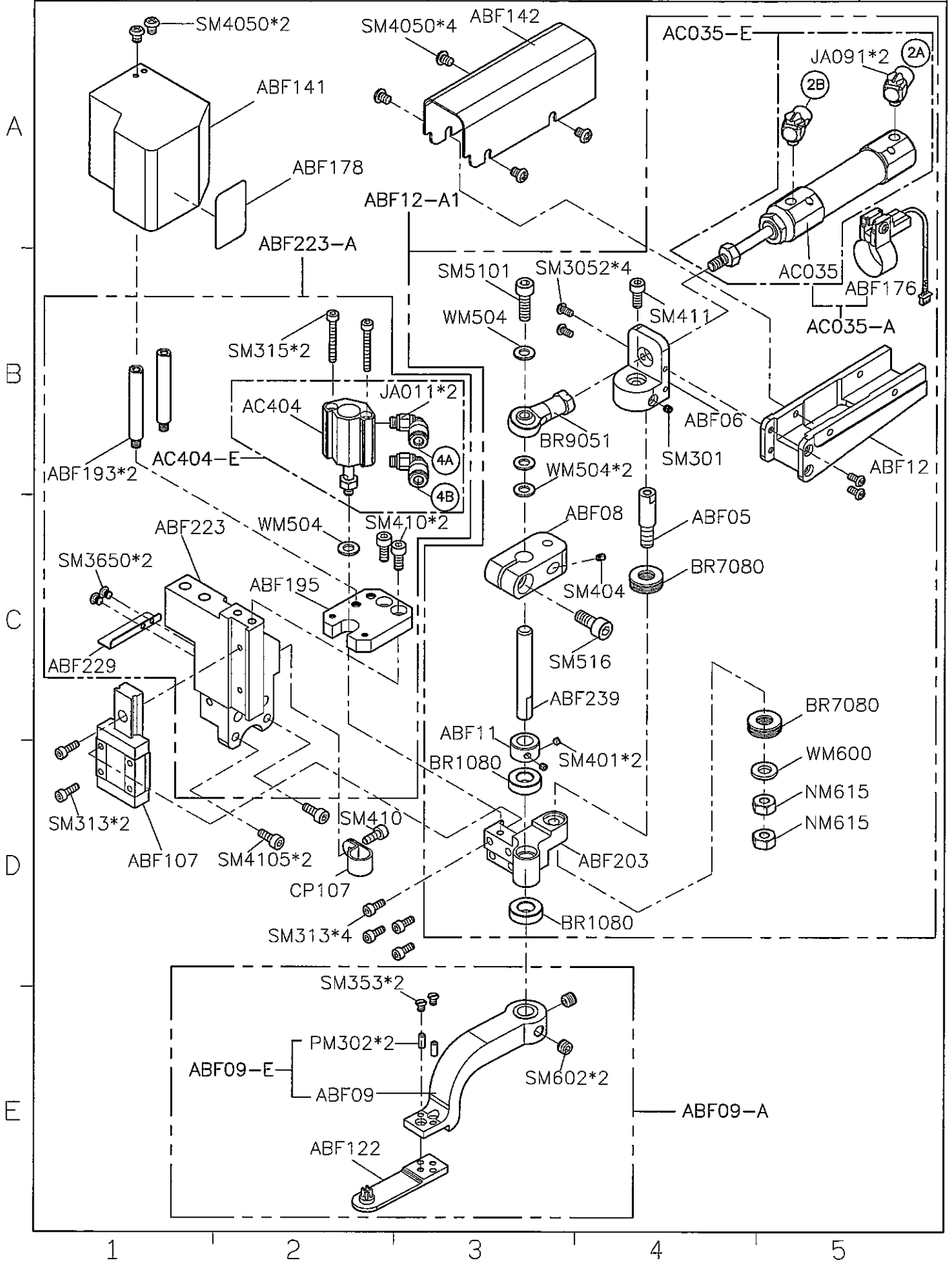
2

3

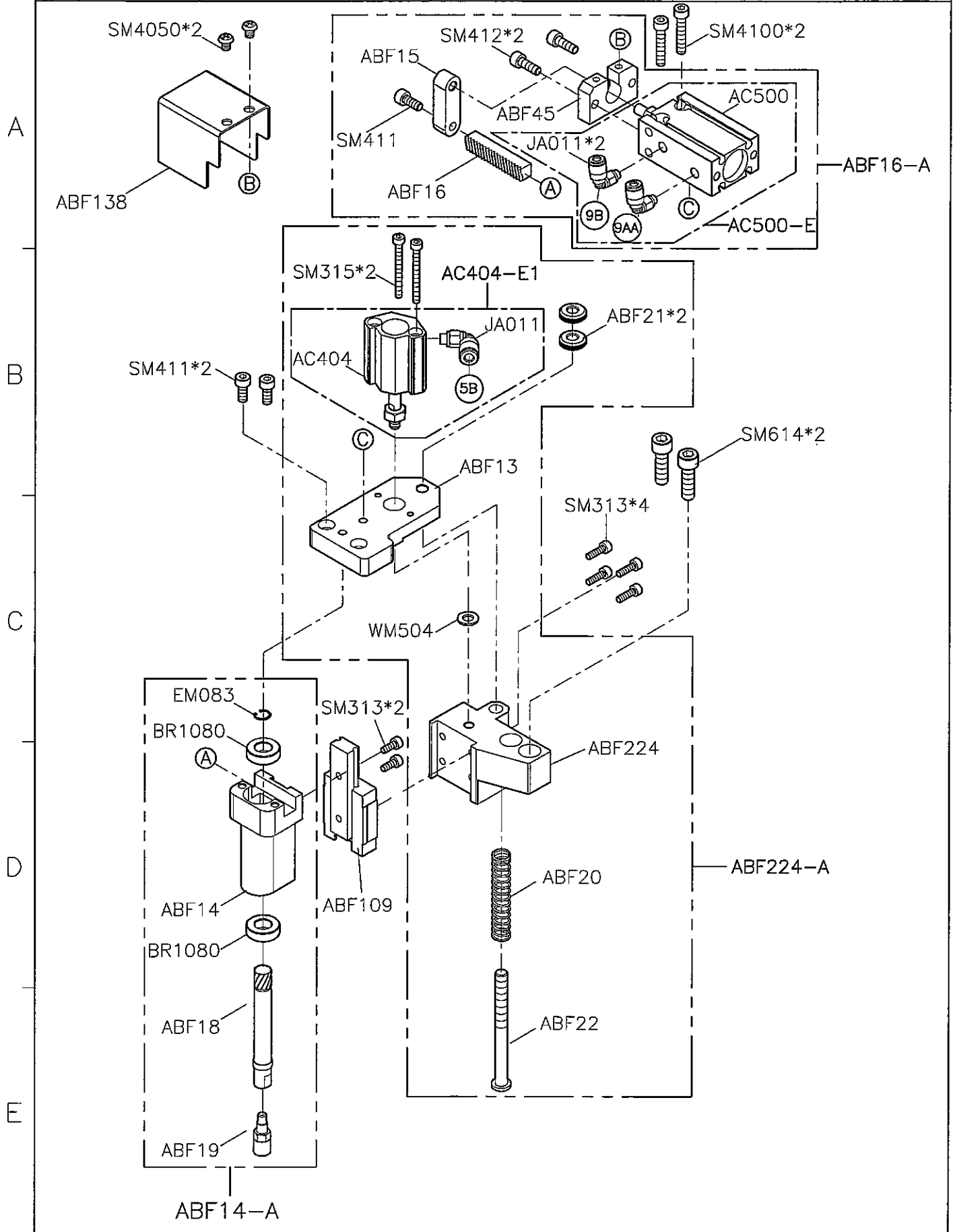
4

5

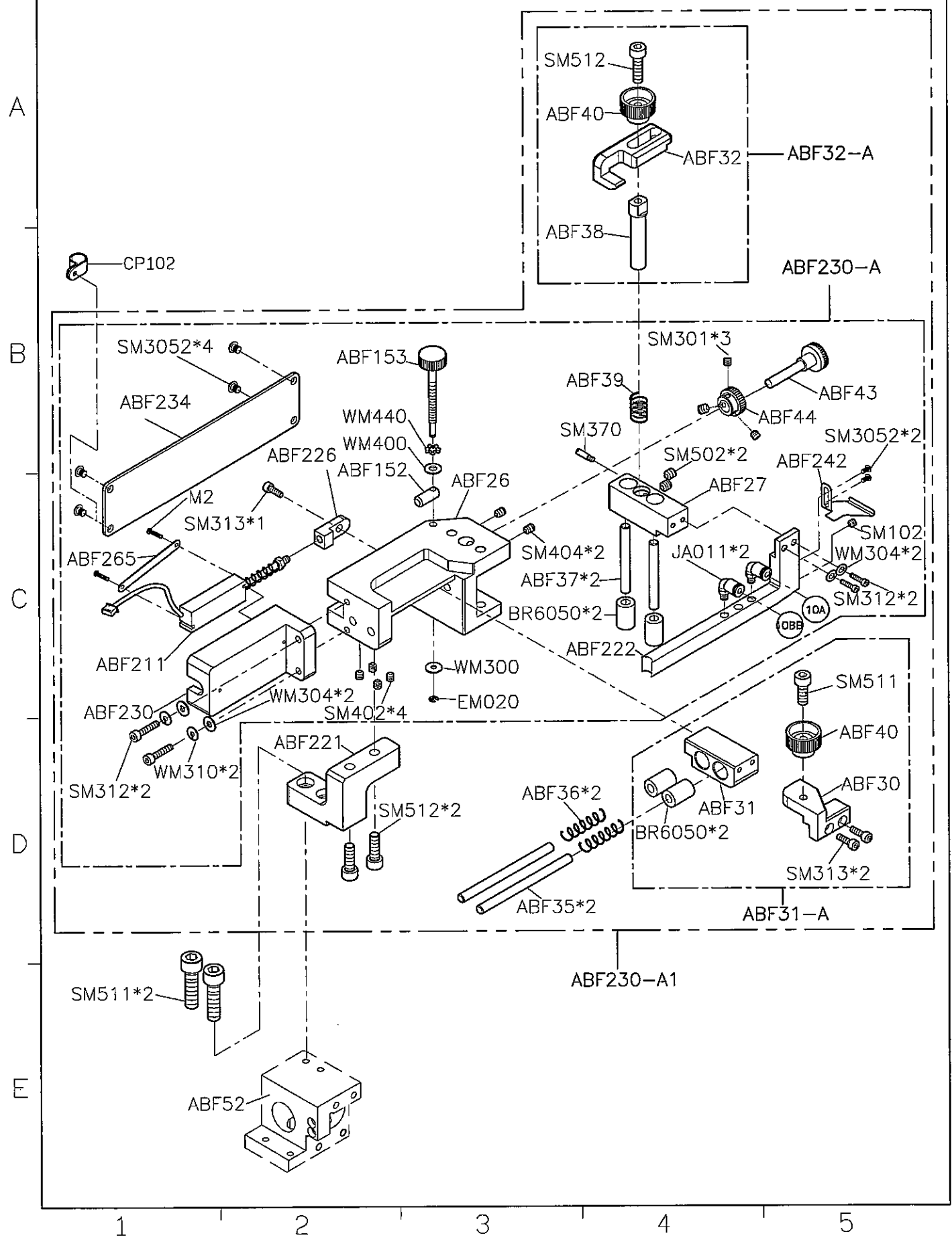
| | | | | |
|---------------------------------|--------|-------------|---------------------------|------------|
| SIRUBA PARTS LIST | Series | Parts Group | Subclass Remark | 1/14 |
| | BT290 | ABF | For big and small buttons | Date |
| | | | | 2014/01/08 |



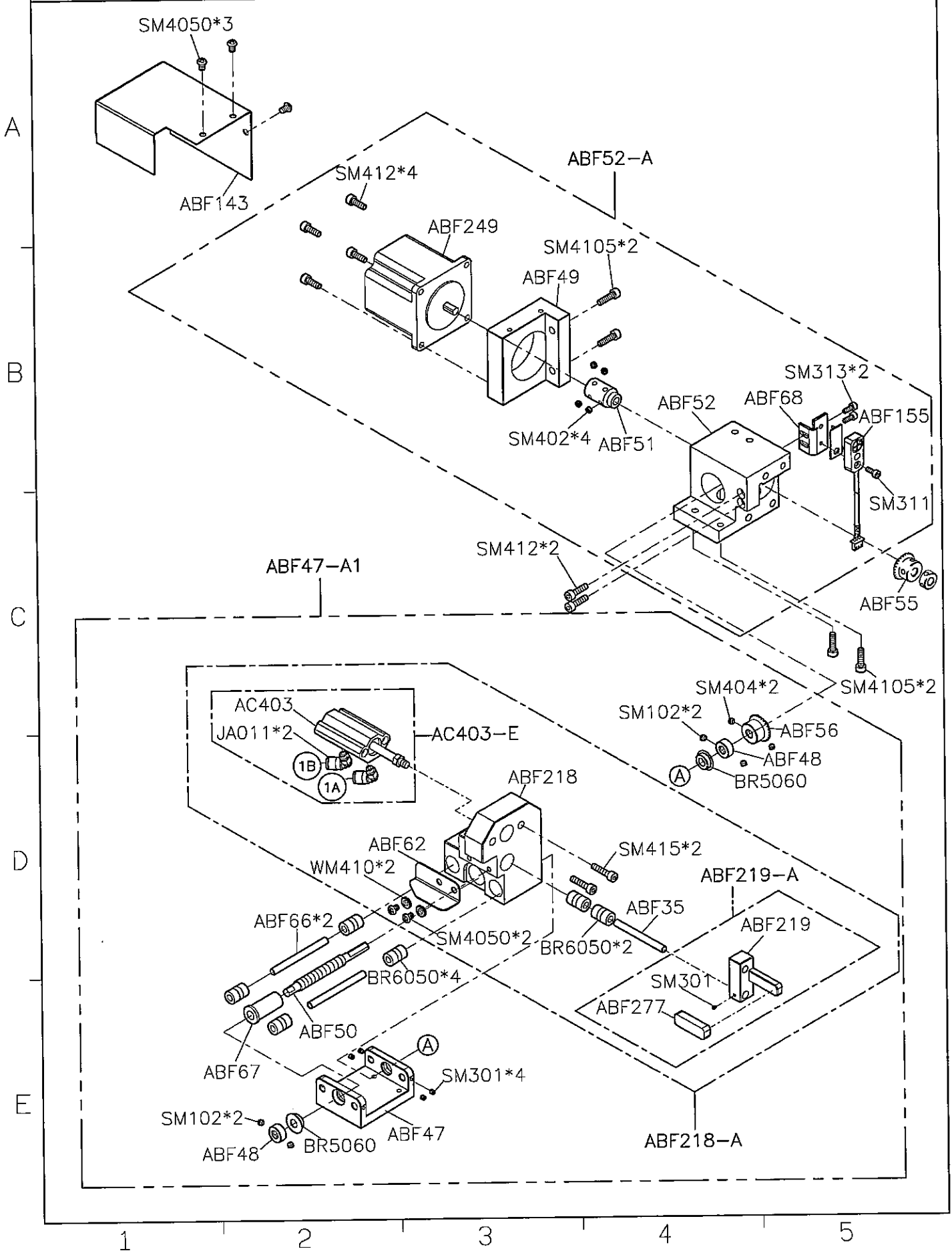
| | | | | |
|-----------------------------|--------|-------------|---------------------------|------------|
| SIRUBA PARTS LIST | Series | Parts Group | Subclass Remark | 2/14 |
| | BT290 | ABF | For big and small buttons | Date |
| | | | | 2014/01/08 |



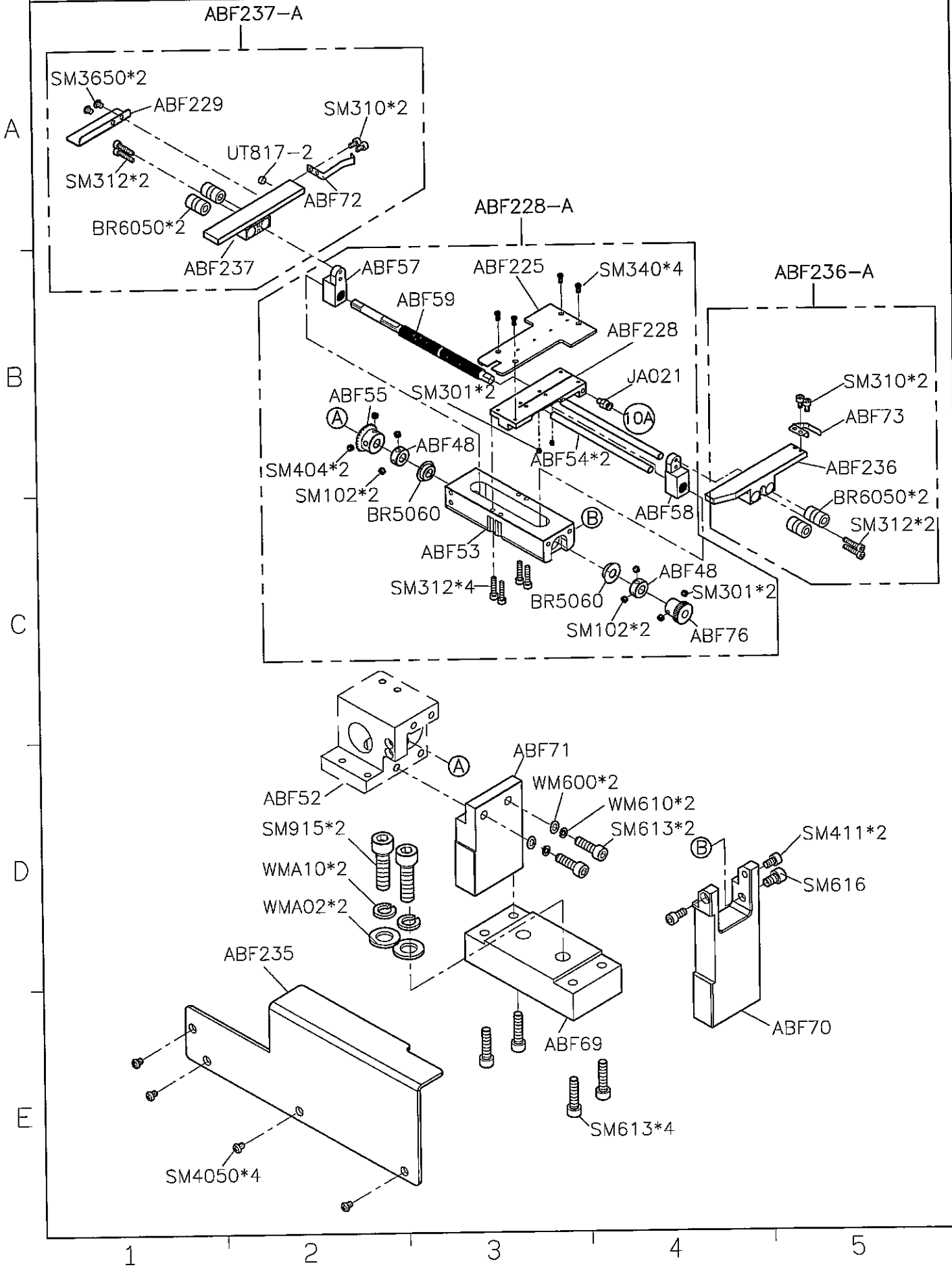
| | | | | |
|----------------------|--------|-------------|---------------------------|------------|
| SIRUBA PARTS LIST | Series | Parts Group | Subclass Remark | 3/14 |
| | BT290 | ABF | For big and small buttons | Date |
| | | | | 2014/01/08 |



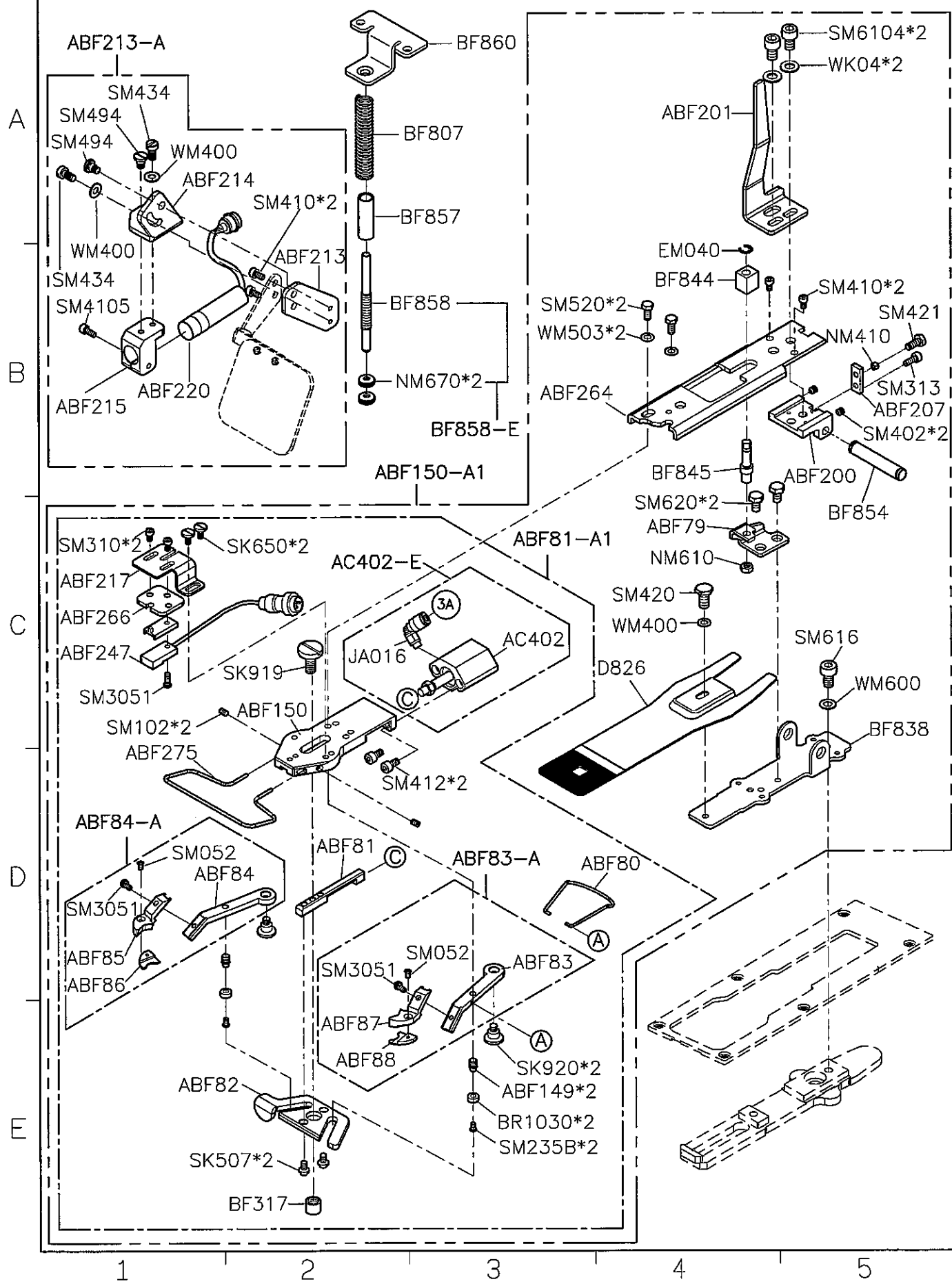
| | | | |
|-----------------------------|--------|-------------|---------------------------|
| SIRUBA PARTS LIST | Series | Parts Group | Subclass Remark |
| | BT290 | ABF | For big and small buttons |
| | | | 4/14 |
| | | | Date 2014/01/08 |



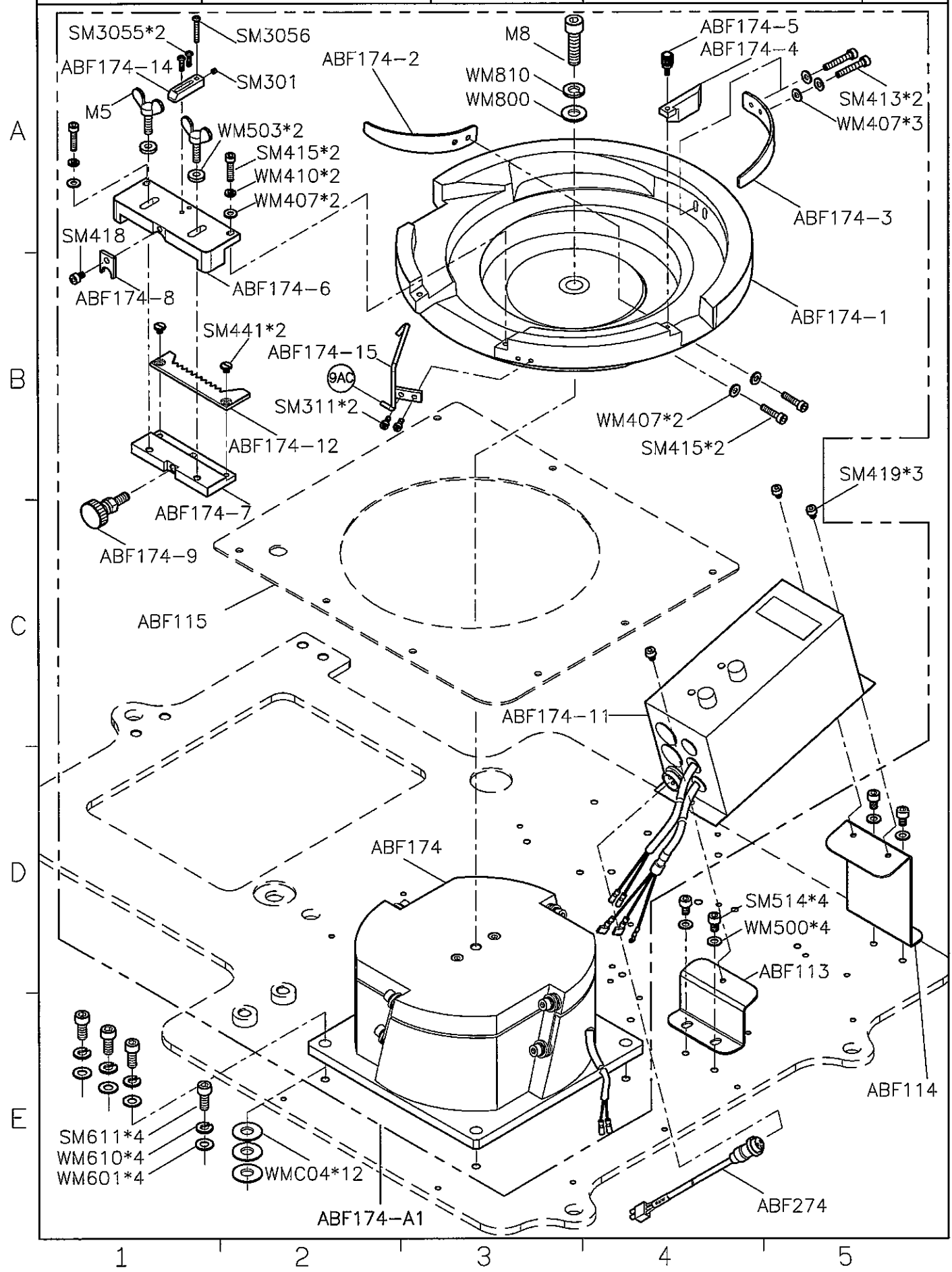
| SIRUBA PARTS LIST | Series | Parts Group | Subclass Remark | 5/14 |
|----------------------|--------|-------------|---------------------------|------|
| | BT290 | ABF | For big and small buttons | Date |



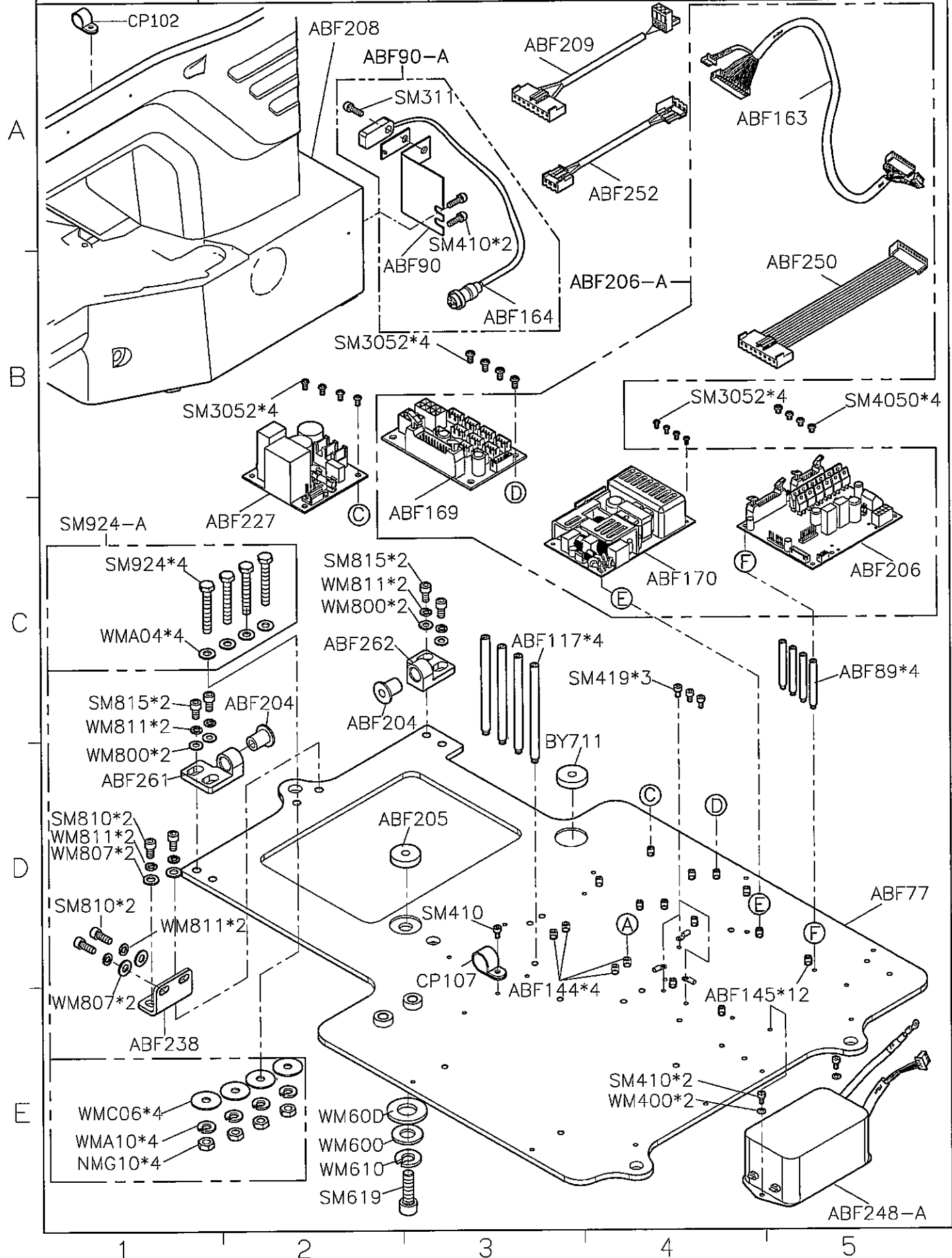
| | | | | |
|-----------------------------|--------|-------------|---------------------------|--------------------|
| SIRUBA PARTS LIST | Series | Parts Group | Subclass Remark | Page |
| | BT290 | ABF | For big and small buttons | 6/14 |
| | | | | Date 2013/10/24 |



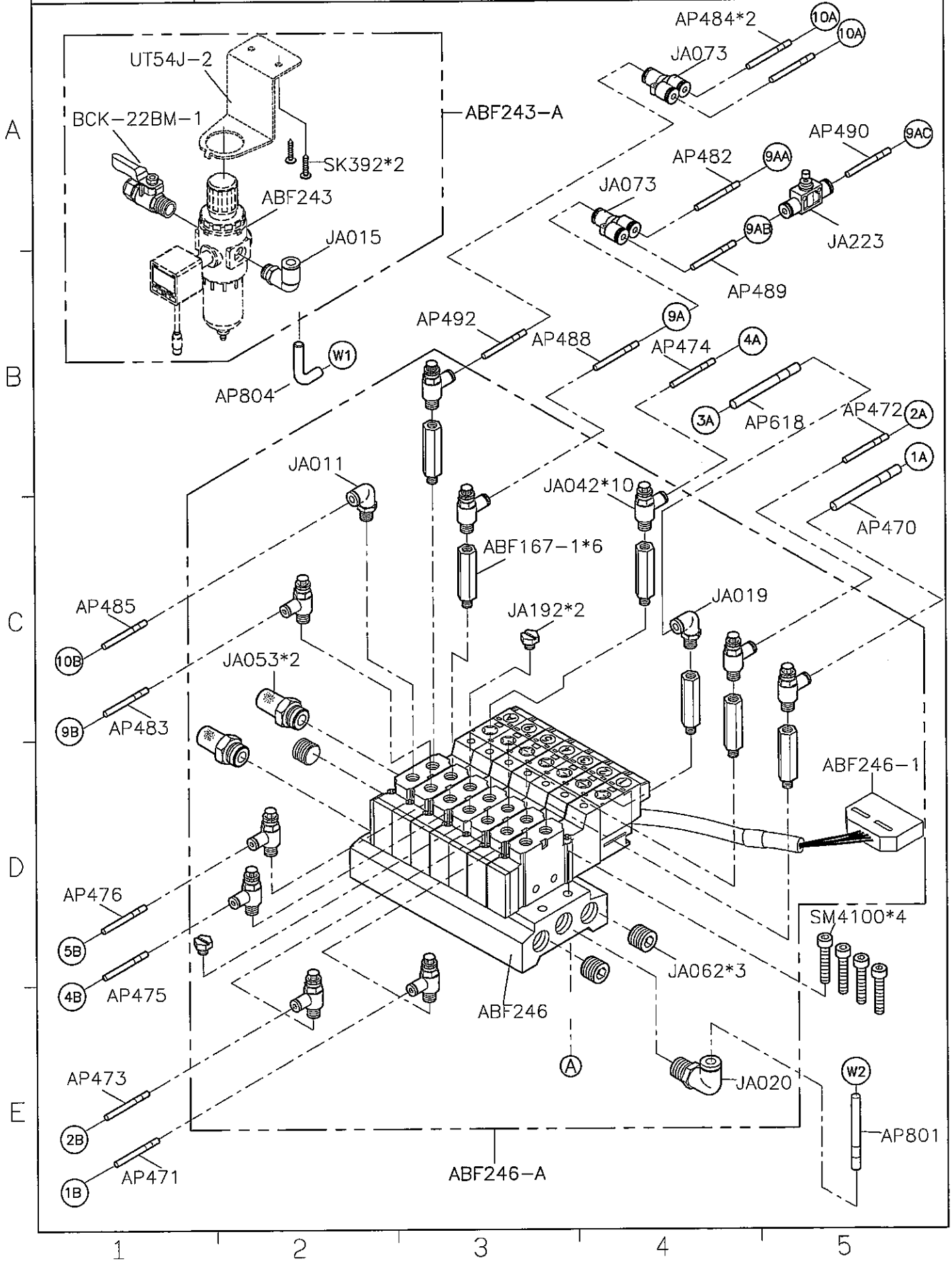
| | | | | |
|-----------------------------|--------|-------------|---------------------------|--------------------|
| SIRUBA PARTS LIST | Series | Parts Group | Subclass Remark | Page |
| | BT290 | ABF | For big and small buttons | 7/14 |
| | | | | Date 2013/10/24 |



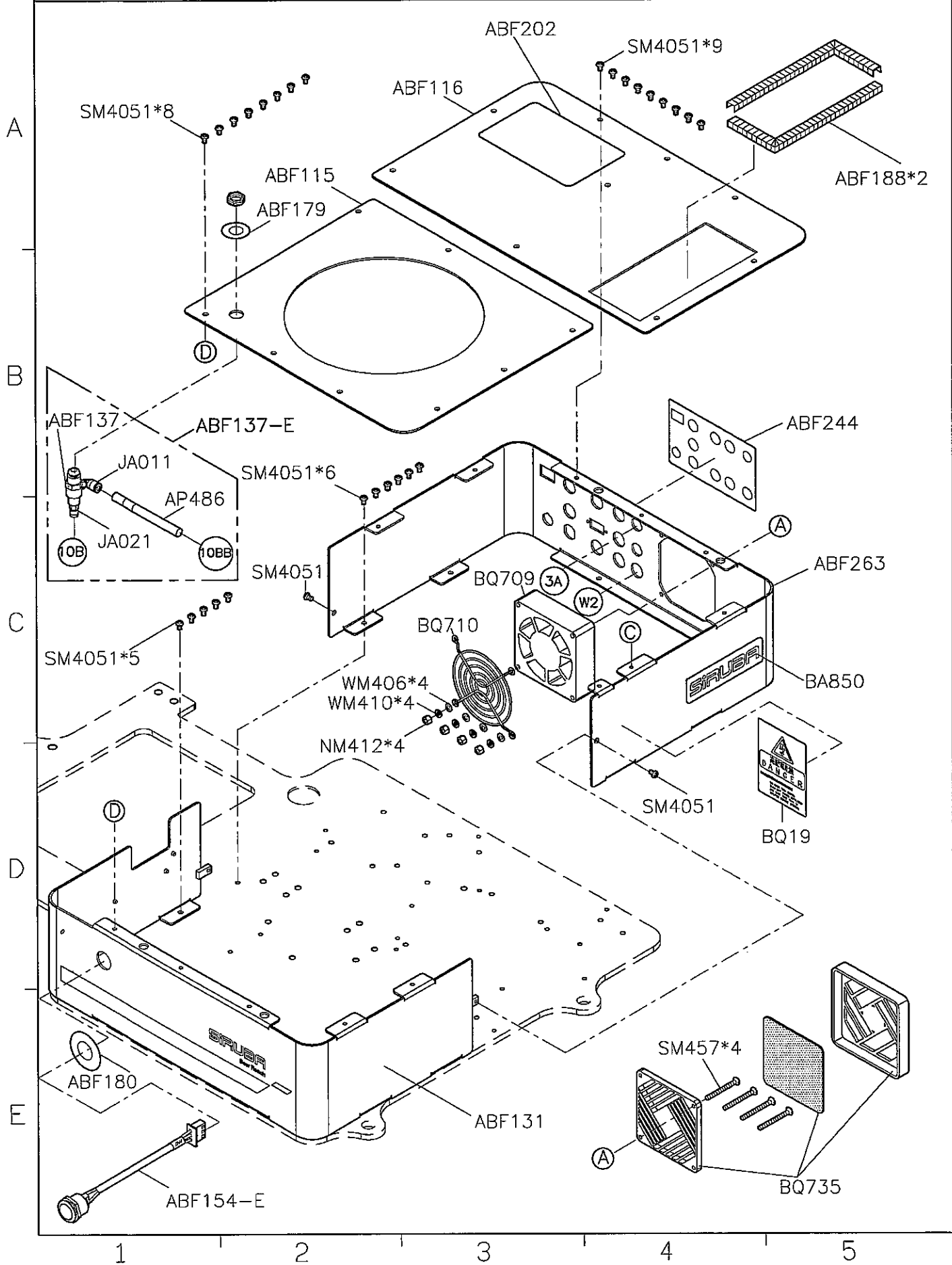
| SIRUBA PARTS LIST | Series BT290 | Parts Group ABF | Subclass Remark For big and small buttons | 8/14 Date 2014/01/08 |
|----------------------|-----------------|--------------------|--|----------------------------|
|----------------------|-----------------|--------------------|--|----------------------------|



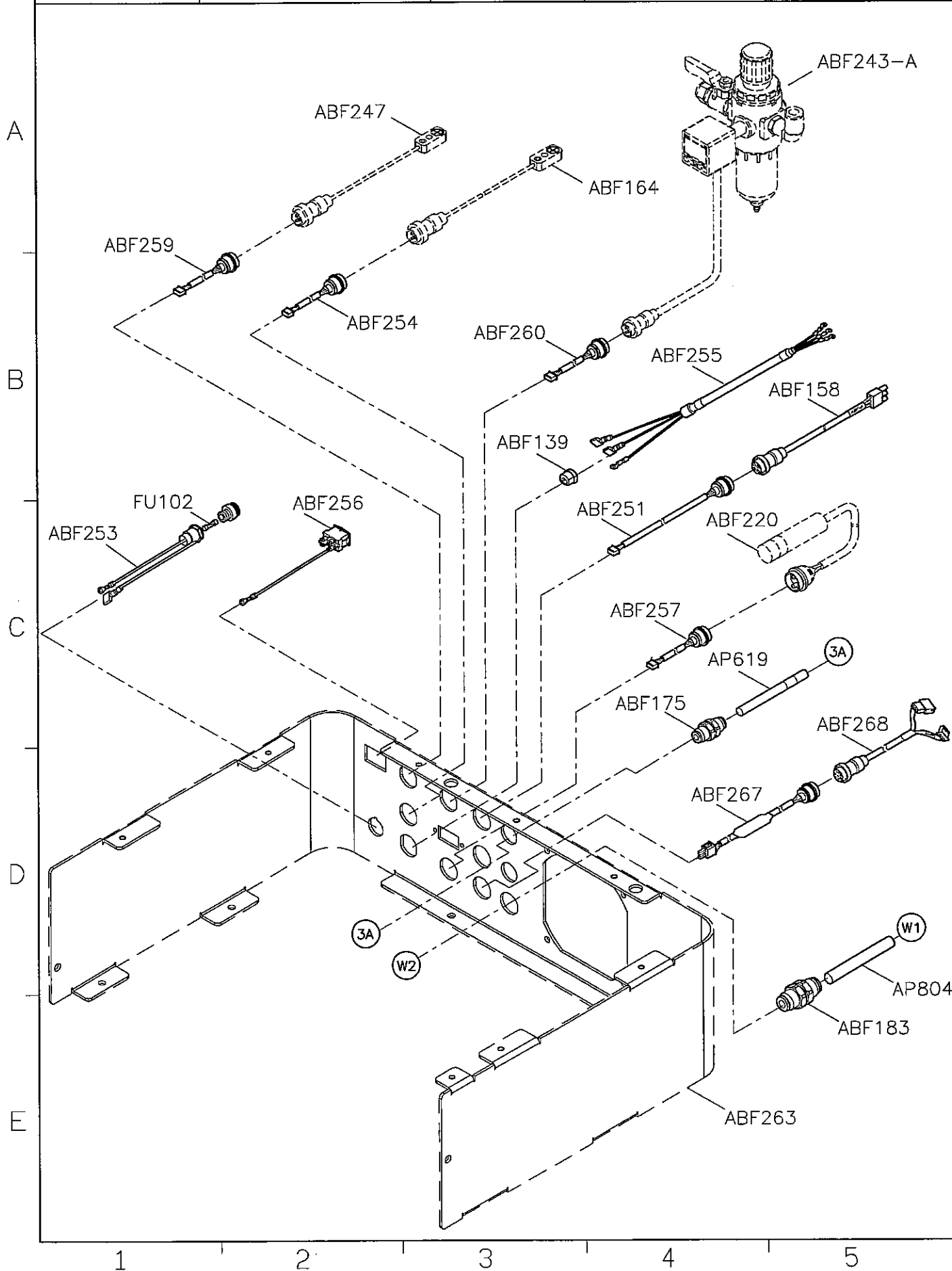
| | | | |
|-----------------------------|--------------------|-------------|---------------------------|
| SIRUBA PARTS LIST | Series | Parts Group | Subclass Remark |
| | BT290 | ABF | For big and small buttons |
| | 9/14 | | |
| | Date 2014/01/08 | | |



| | | | |
|-----------------------------|--------|-------------|---------------------------|
| SIRUBA PARTS LIST | Series | Parts Group | Subclass Remark |
| | BT290 | ABF | For big and small buttons |
| | | | 10/14 |
| | | | Date |
| | | | 2014/01/08 |



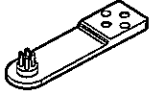
| SIRUBA PARTS LIST | Series | Parts Group | Subclass Remark | 11/14 |
|----------------------|--------|-------------|---------------------------|-------|
| | BT290 | ABF | For big and small buttons | Date |



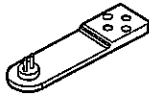
| SIRUBA PARTS LIST | Series | Parts Group | Subclass Remark | Page |
|----------------------|--------|-------------|---------------------------|--------------------|
| | BT290 | ABF | For big and small buttons | 12/14 |
| | | | | Date 2013/10/24 |

A

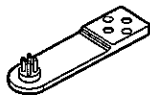
ABF118



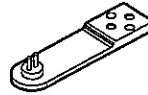
ABF119



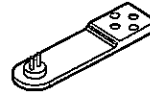
ABF120



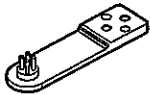
ABF121



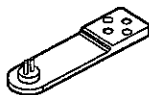
ABF123



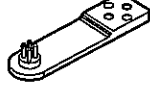
ABF124



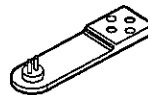
ABF125



ABF126



ABF127

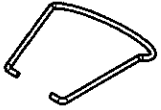


ABF19*3

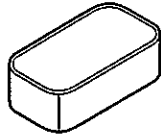


B

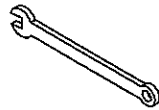
ABF80



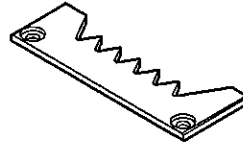
ABF182



KY08*2



ABF174-13



C

D

E

1

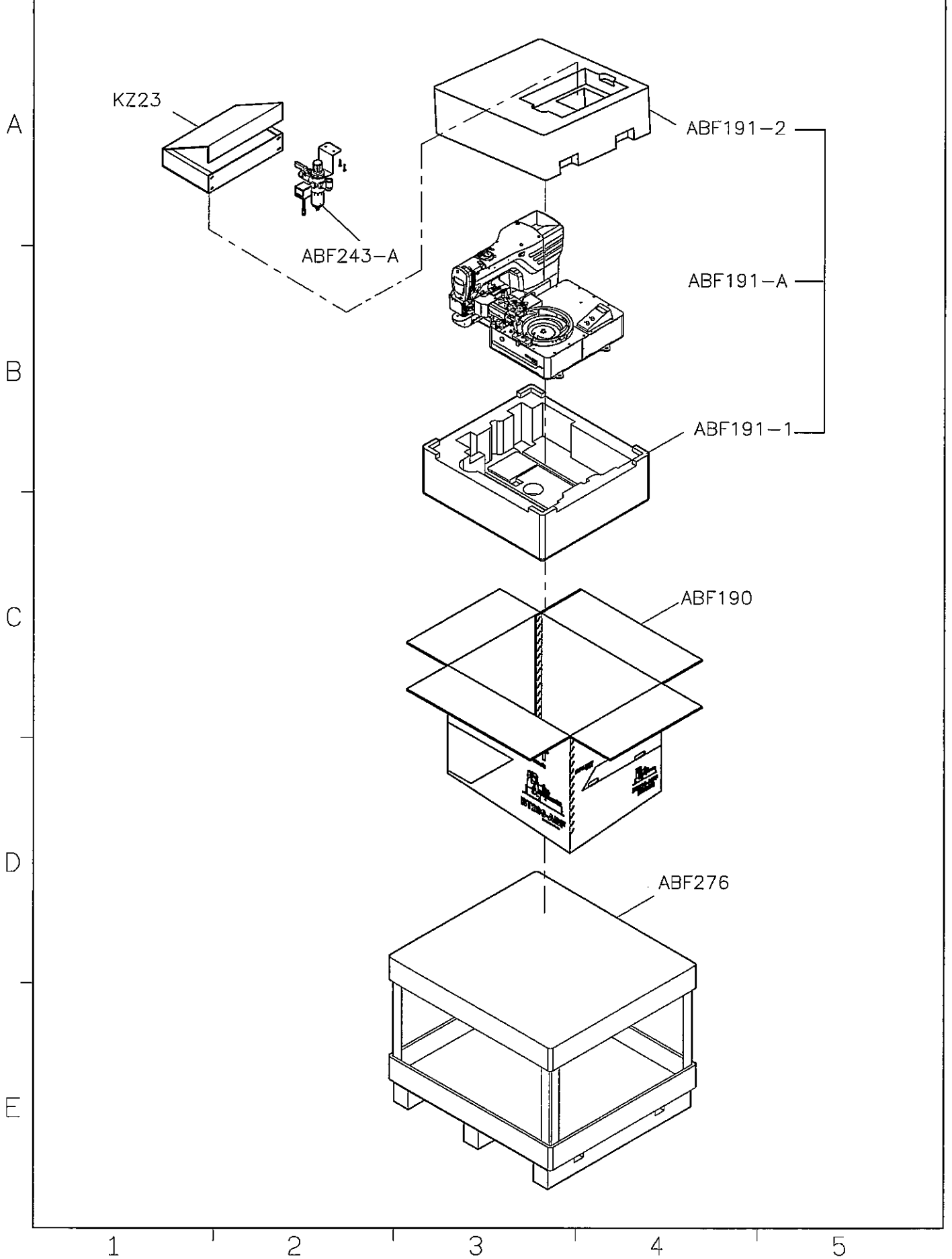
2

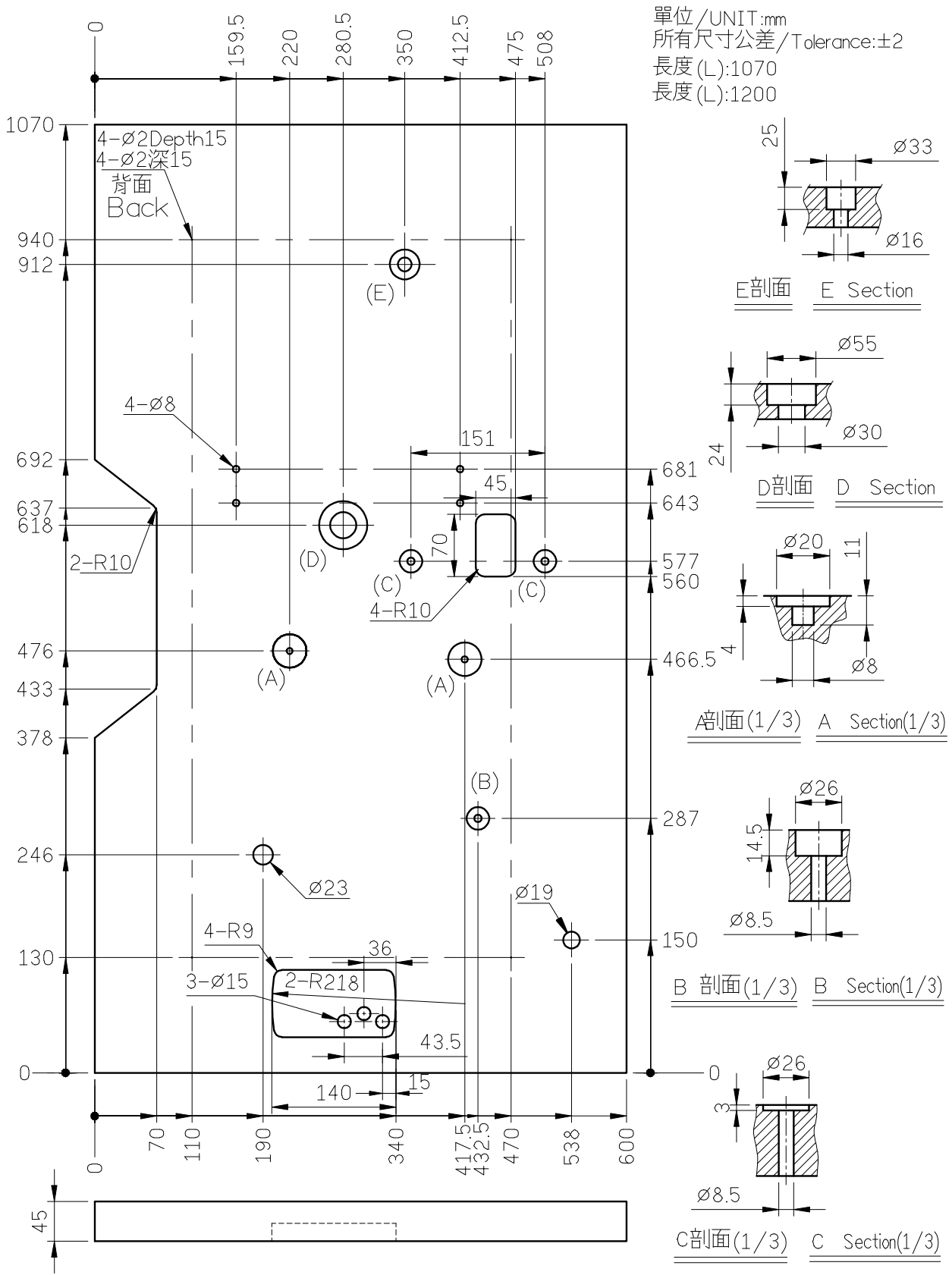
3

4

5

| SIRUBA PARTS LIST | Series | Parts Group | Subclass Remark | 13/14 |
|----------------------|--------|-------------|---------------------------|------------|
| | BT290 | ABF | For big and small buttons | Date |
| | | | | 2014/01/08 |



SIRUBA**TABLE
CUT - OUT****Series****BT290****Item Code****BT290-T1****Subclass / Remark**For All BT290 Series Excluding
ABF**Mounting****Semi-submerged****Date****2012/08/22**

| | | | | |
|-------------------------------------|-----------|-----------|-----------------|--------------------|
| SIRUBA TABLE CUT - OUT | Series | Item Code | Subclass/Remark | Mounting |
| | BT290-ABF | BT290-T2 | For ABF Model | Non-submerged |
| | | | | Date 2013/10/24 |

