

SIRUBA PARTS LIST	Series	Parts Group	Subclass Remark	Page
	C007K/C007KD C858K/C858KD	CAR	For C007K/KD/C858K/KD add SAR to the type UT ☐ : Use for H brand motor (HVP-20)	1/2
				Date
				2013/10/08

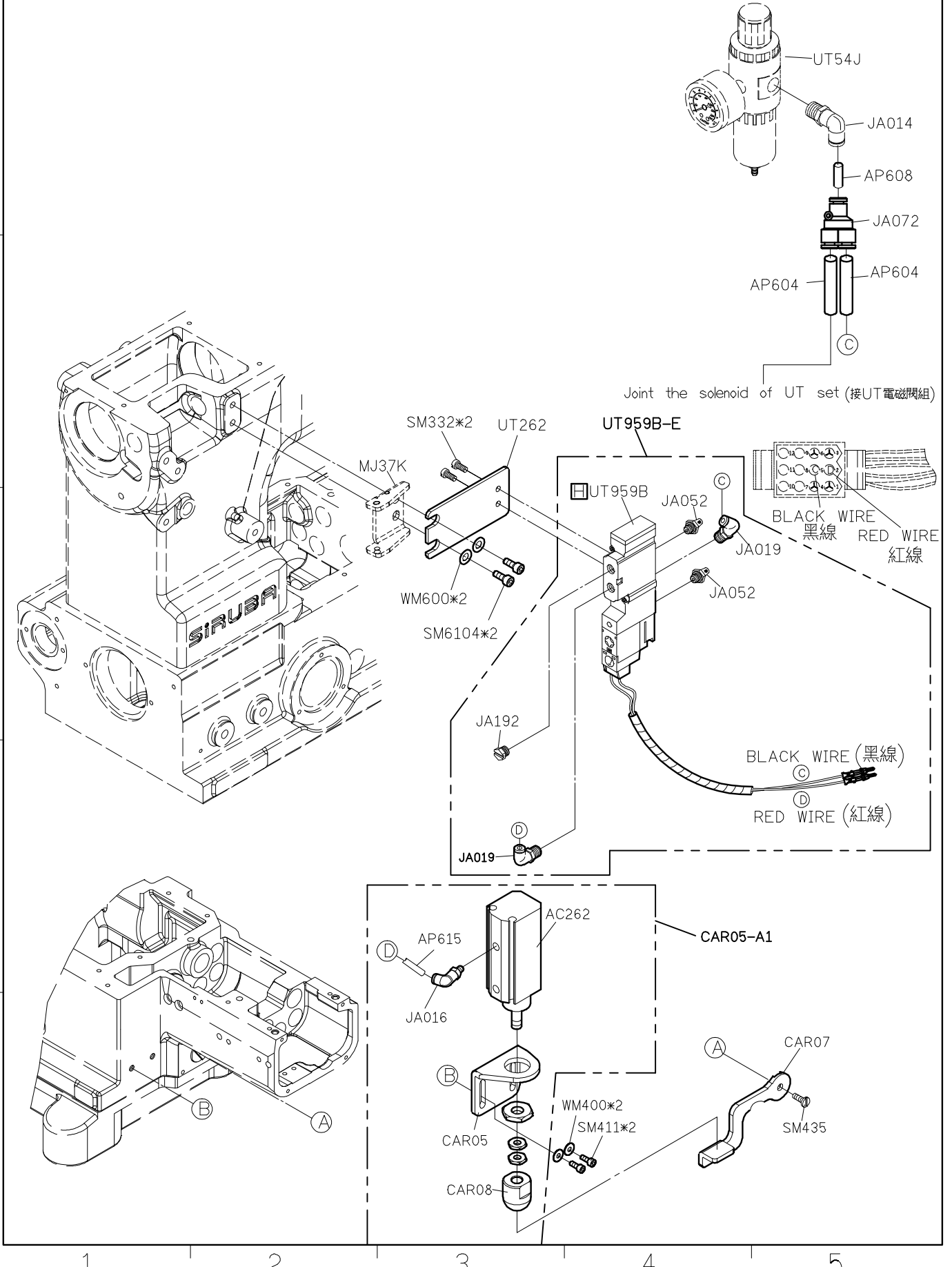
A

B

C

D

E



1

2

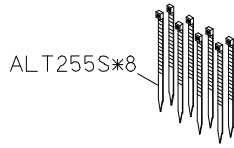
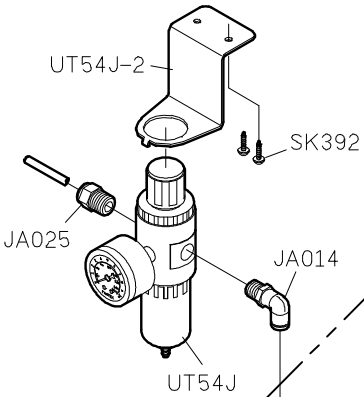
3

4

5

ITEM NO.	CAR	CAR/UTP(UTQ)
	UT959B-E	UT955KC-E1
Solenoid QTY	1	4

A



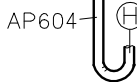
UT54J-A

UT261K

SM413*4

UT955KC-E1

B



☐ UT955KC
(T84XXX用)

JA062

JA062

JA062

AP452

AP455

AP453

AP454

AP457

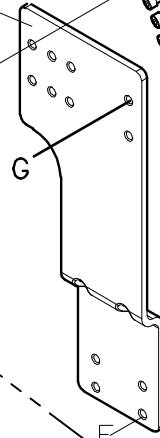
AP456

JA042

JA192

AP615

JA047



TO MOTOR
"SEWING MACHINE"
RECEPTACLE
HOUSING

TO MOTOR
"FOOT LFTER"
RECEPTACLE
HOUSING

C

JA018

JA021

JA018

JA021

JA021

JA021

JA021

JA021

JA021

JA018

JA021

JA018

JA021

JA021

JA021

JA021

JA021

JA021

JA021

JA021

JA021

JA021

JA021

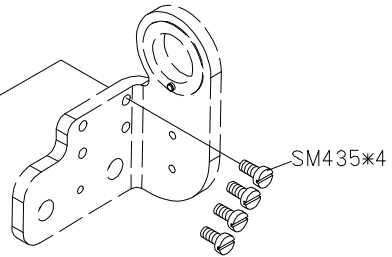
JA021

JA021

JA021

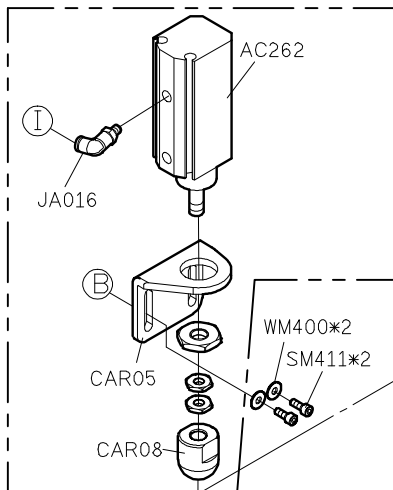
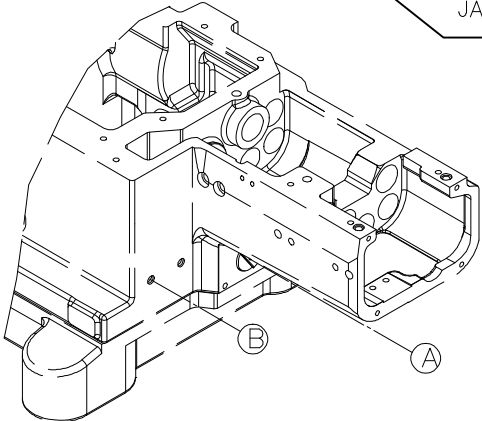
JA021

D



SM435*4

E



CAR05-A1

JA016

CAR05

CAR08

WM400*2

SM411*2

CAR07

SM435

1

2

3

4

5

SIRUBA PARTS LIST	Series	Parts Group	Subclass / Remark	Page
	C007K/C007KD	CC-K		1/1
	C858K/C858KD			Date
				2014/07/18

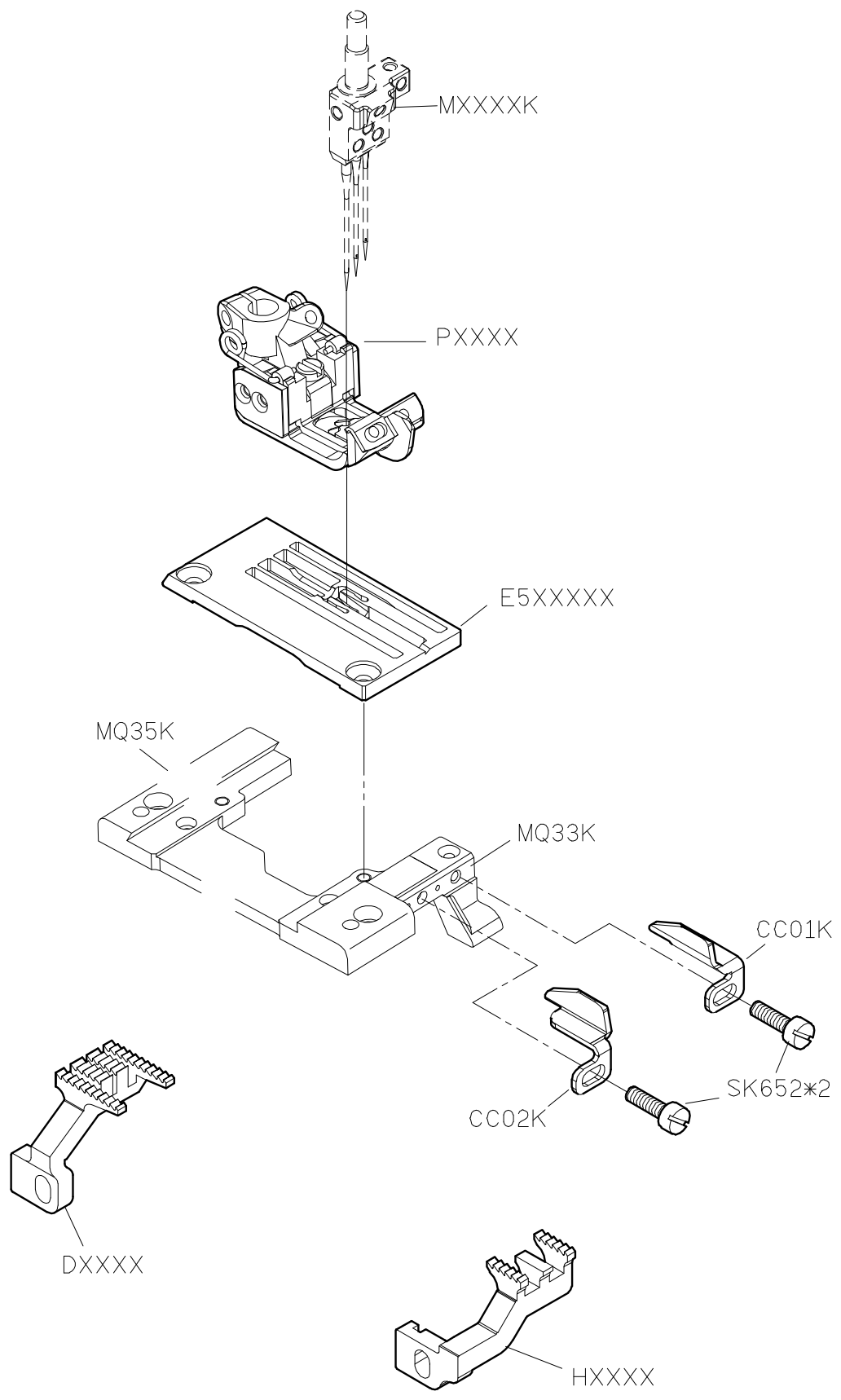
A

B

C

D

E



1

2

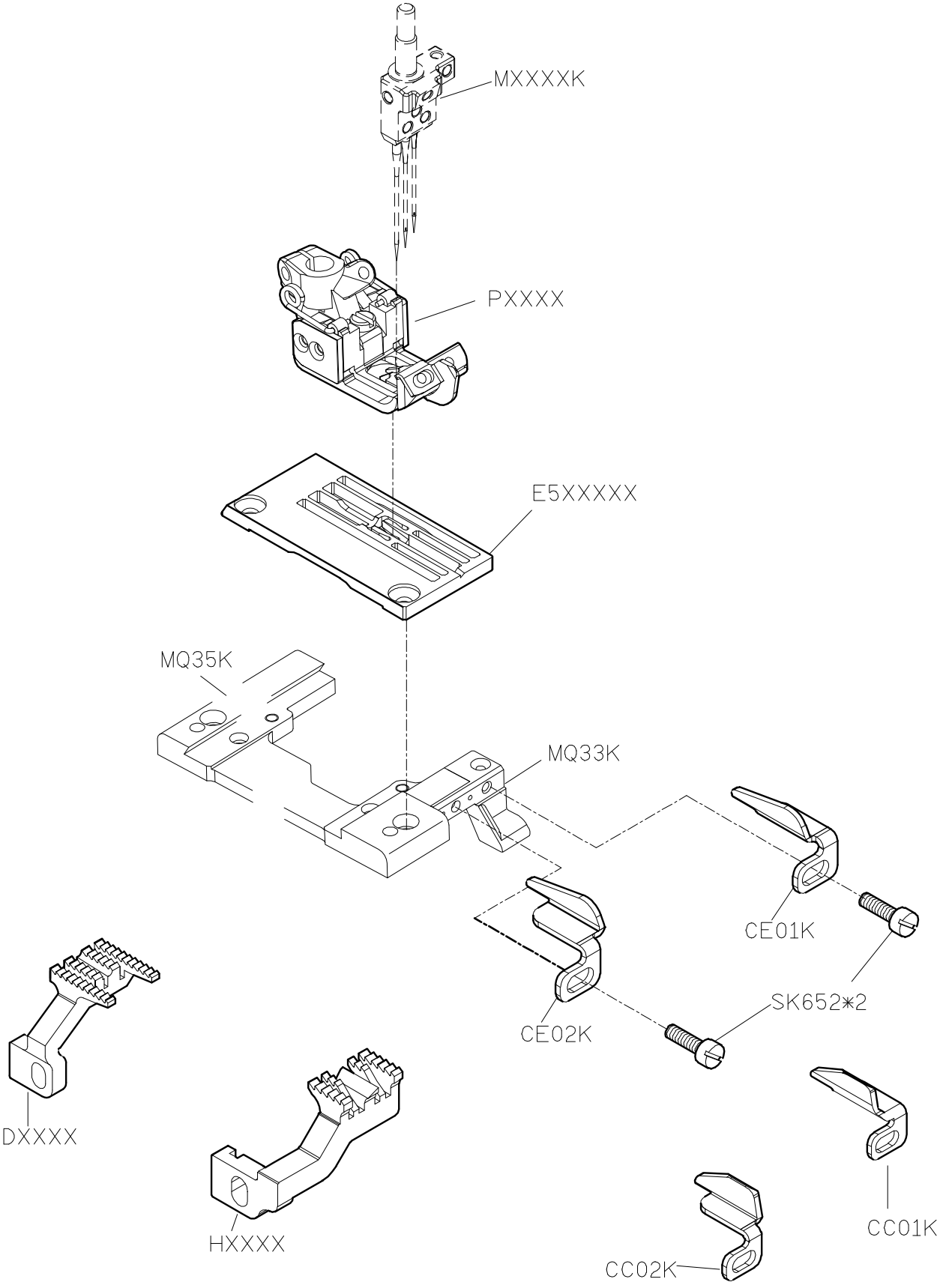
3

4

5

SIRUBA PARTS LIST	Series	Parts Group	Subclass / Remark	Page
	C007K/C007KD	CE-K		1/1
	C858K/C858KD			Date
				2014/07/18

A
B
C
D
E



1 2 3 4 5

SIRUBA
PARTS LIST

Series
C007K/C007KD
C858K/C858KD

Parts Group
CFC-K

Subclass / Remark
For C007K/C858K

Page
1/4
Date
2012/11/01

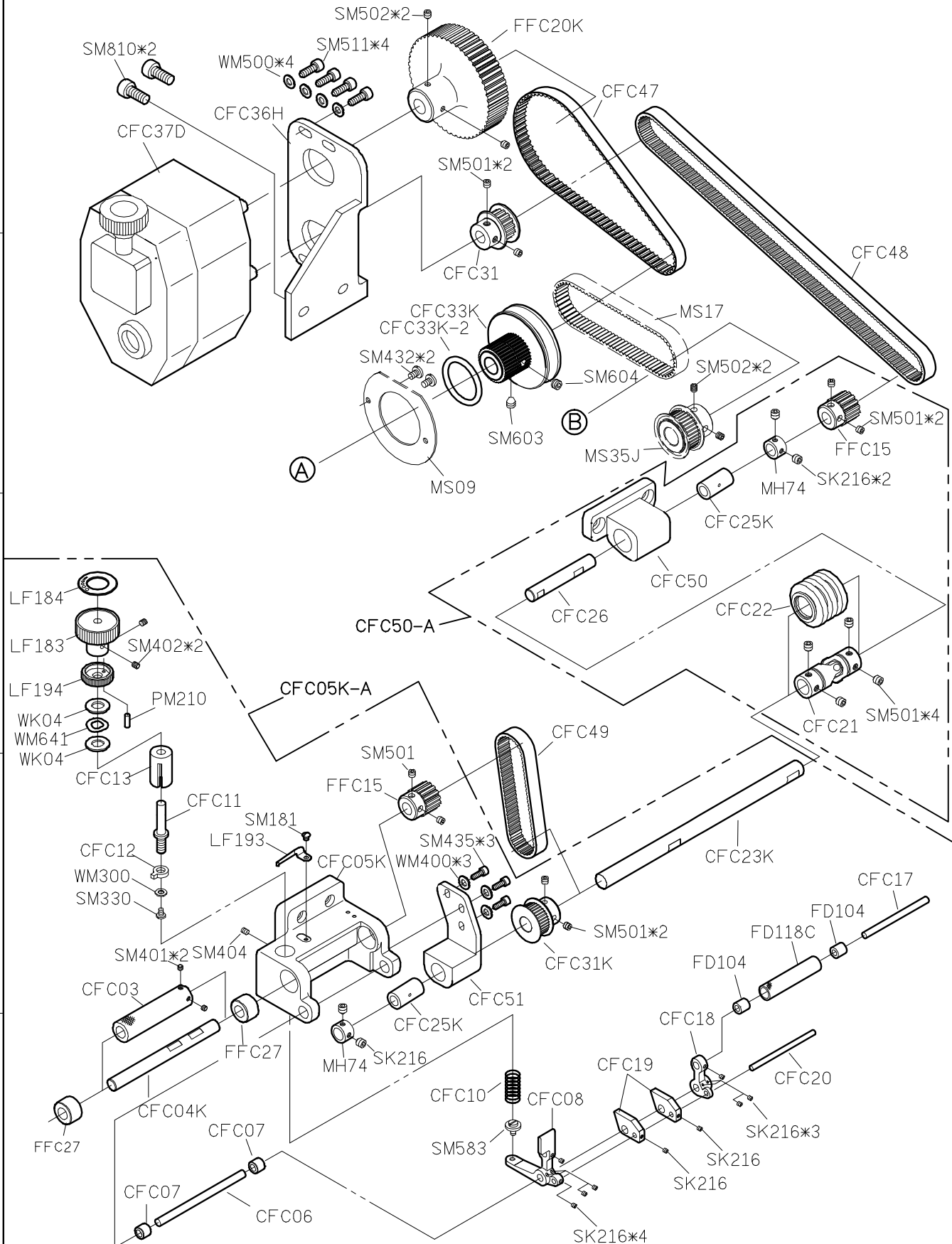
A

B

C

D

E



1

2

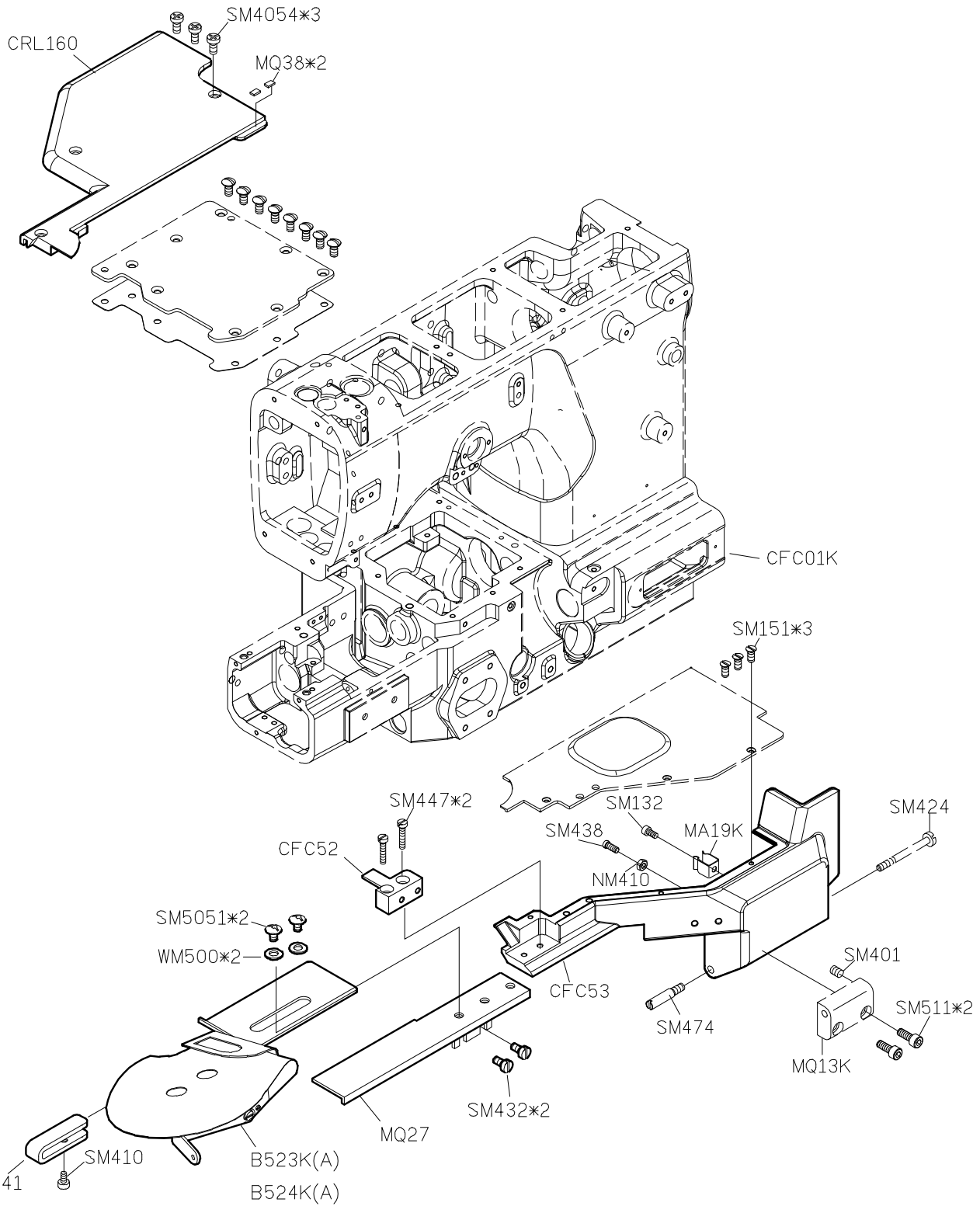
3

4

5

SIRUBA PARTS LIST	Series	Parts Group	Subclass / Remark	Page
	C007K/C007KD	CFC-K	For C007K/C858K	2/4
	C858K/C858KD			Date
	2012/11/01			

A
B
C
D
E



SIRUBA

PARTS LIST

Series

**C007K/C007KD
C858K/C858KD**

Parts Group

CFC-K

Subclass / Remark

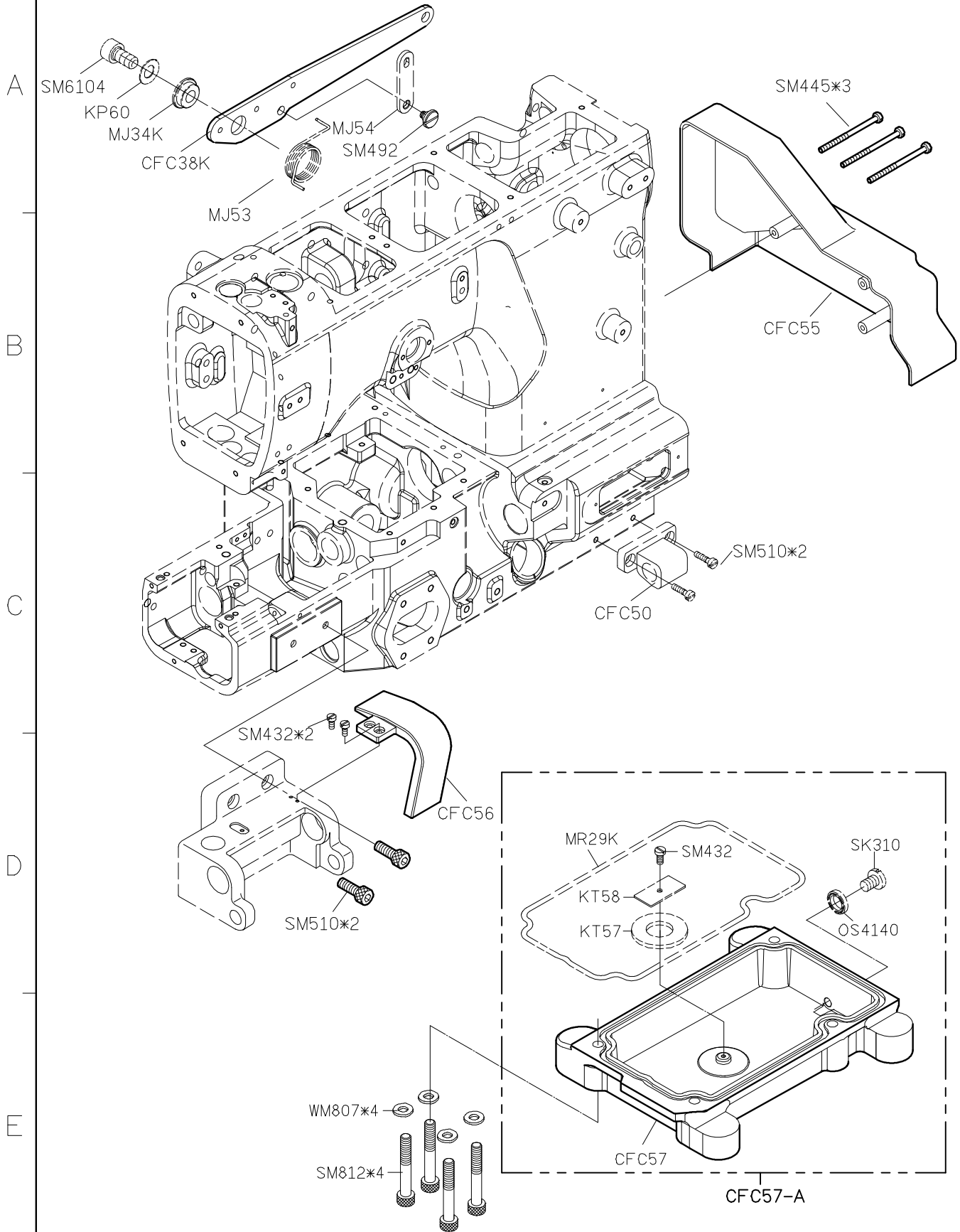
For C007K/C858K

Page

3/4

Date

2014/05/10



1

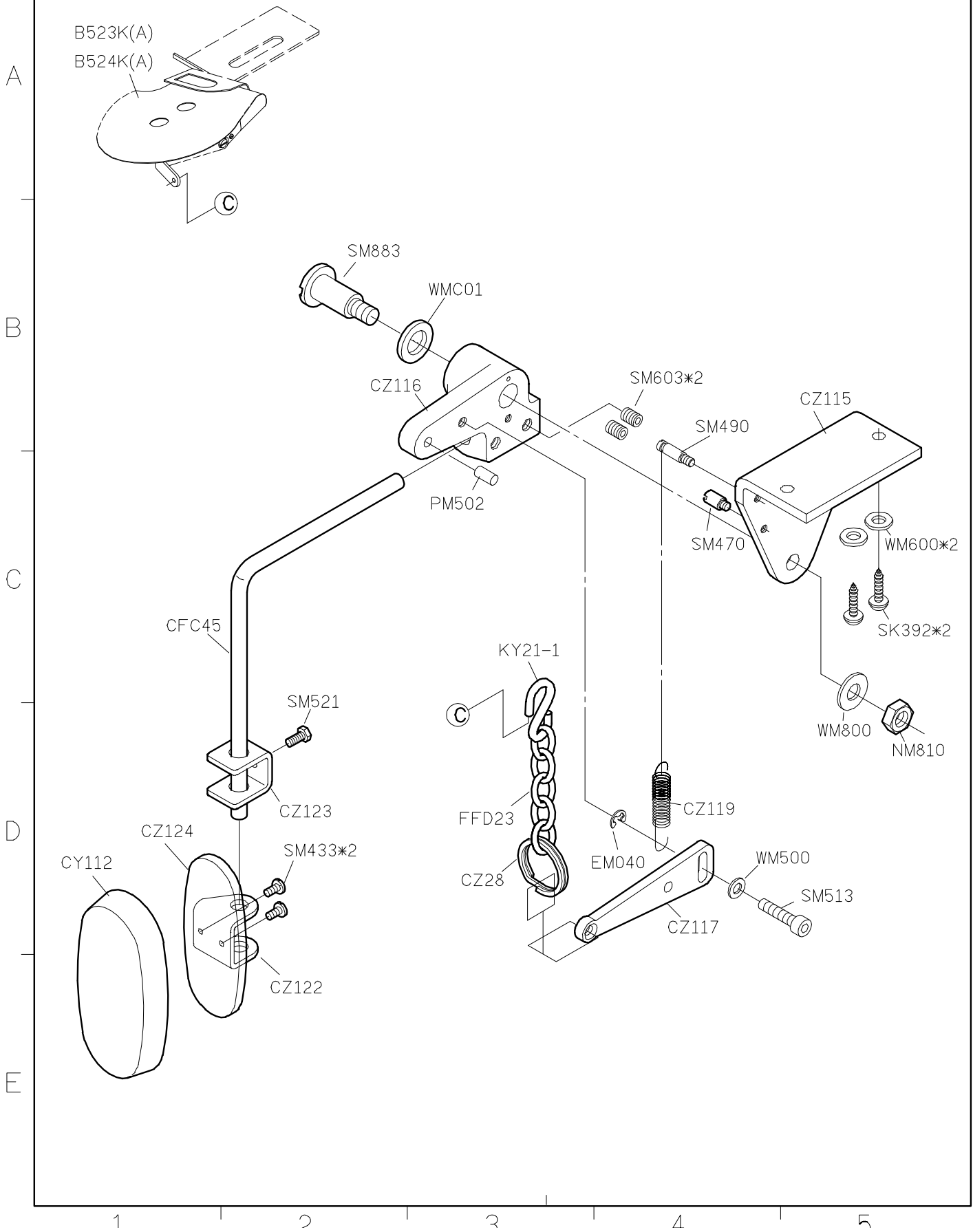
2

3

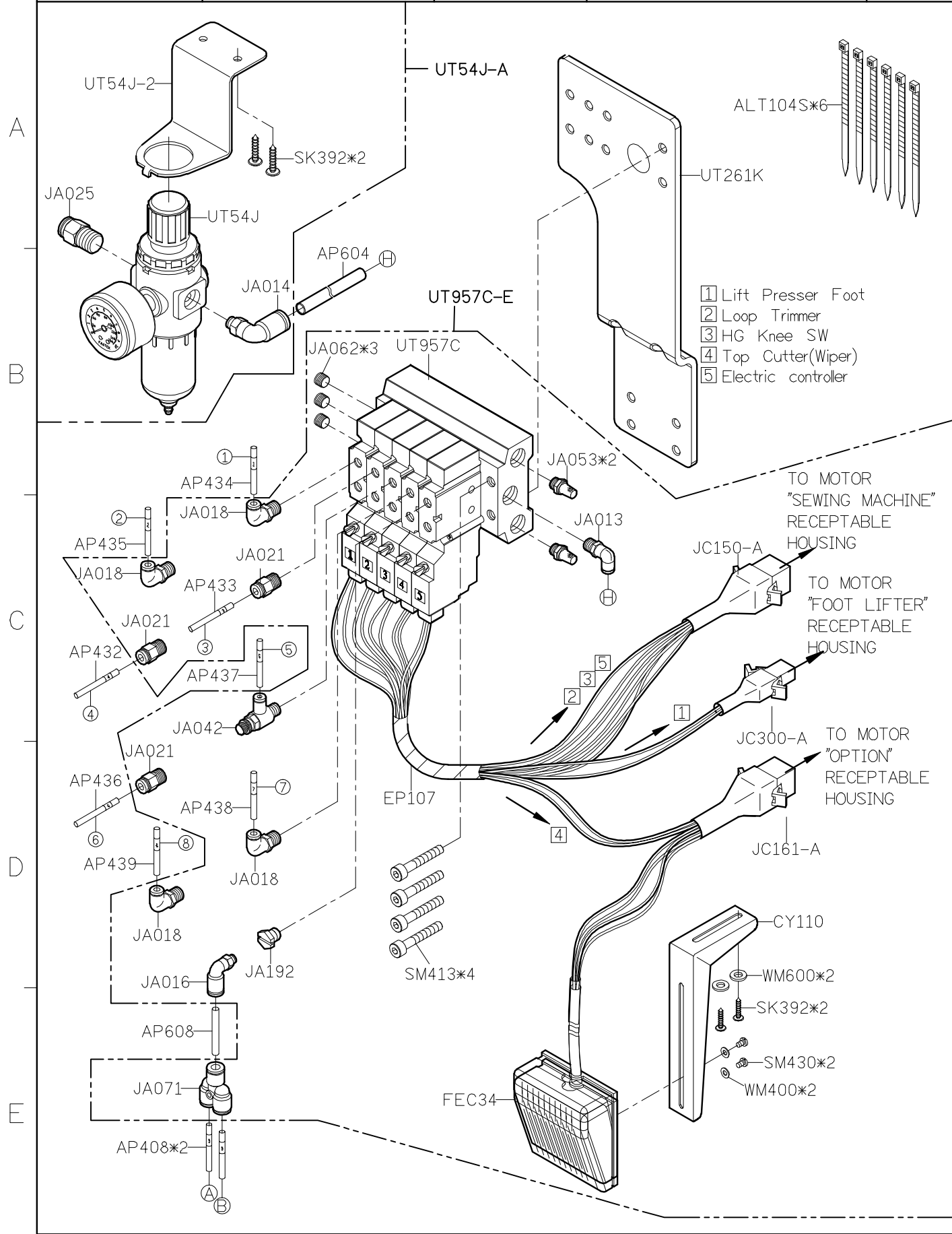
4

5

SIRUBA PARTS LIST	Series	Parts Group	Subclass / Remark	Page
	C007K/C007KD	CFC-K	For C007K/C858K	4/4
	C858K/C858KD			Date
	2012/11/01			



SIRUBA PARTS LIST	Series	Parts Group	Subclass / Remark	Page
	C007K/C007KD	CHK-K		2/2
	C858K/C858KD		Date	
	2012/11/01			



- 1 Lift Presser Foot
- 2 Loop Trimmer
- 3 HG Knee SW
- 4 Top Cutter(Wiper)
- 5 Electric controller

TO MOTOR
"SEWING MACHINE"
RECEPTABLE
HOUSING

TO MOTOR
"FOOT LIFTER"
RECEPTABLE
HOUSING

TO MOTOR
"OPTION"
RECEPTABLE
HOUSING

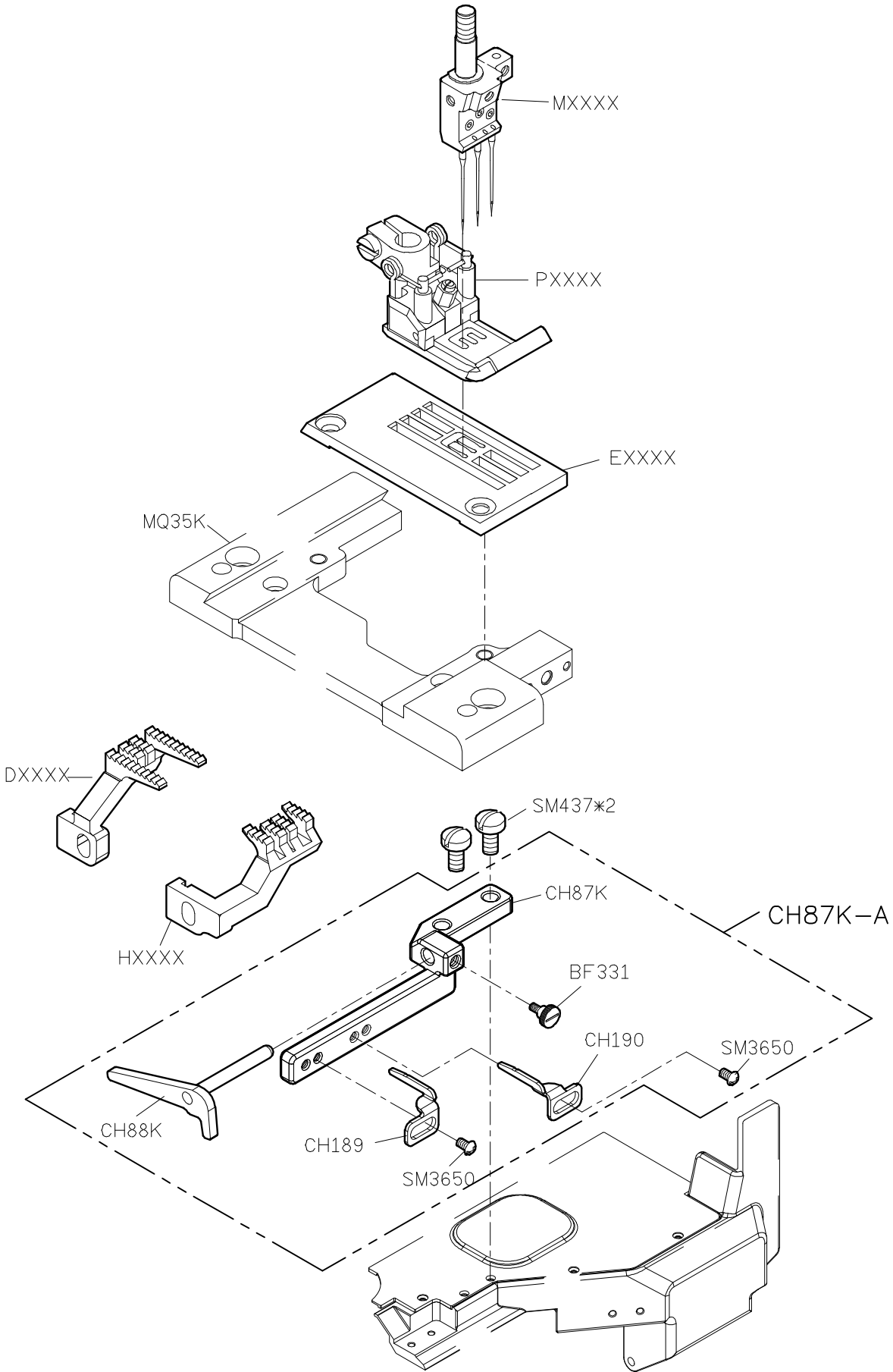
A

B

C

D

E



1

2

3

4

5

SIRUBA

PARTS LIST

Series

**C007K/C007KD
C858K/C858KD**

Parts Group

**CHP(CY)
/UTP-K**

Subclass / Remark

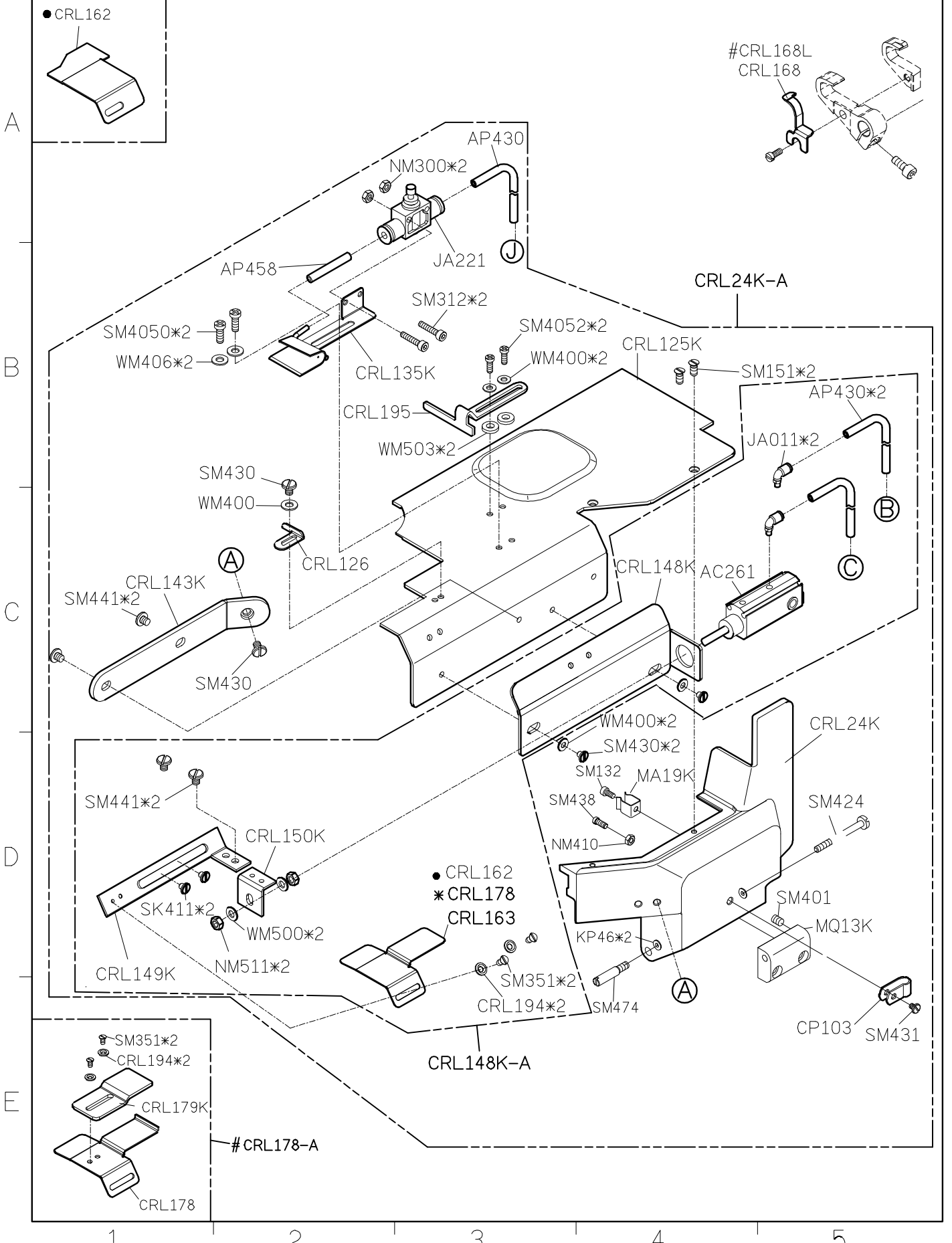
Note: Type CHP is collocated with UTP
● : Use for general machine to re-equip
#: Use for CY to re-equip

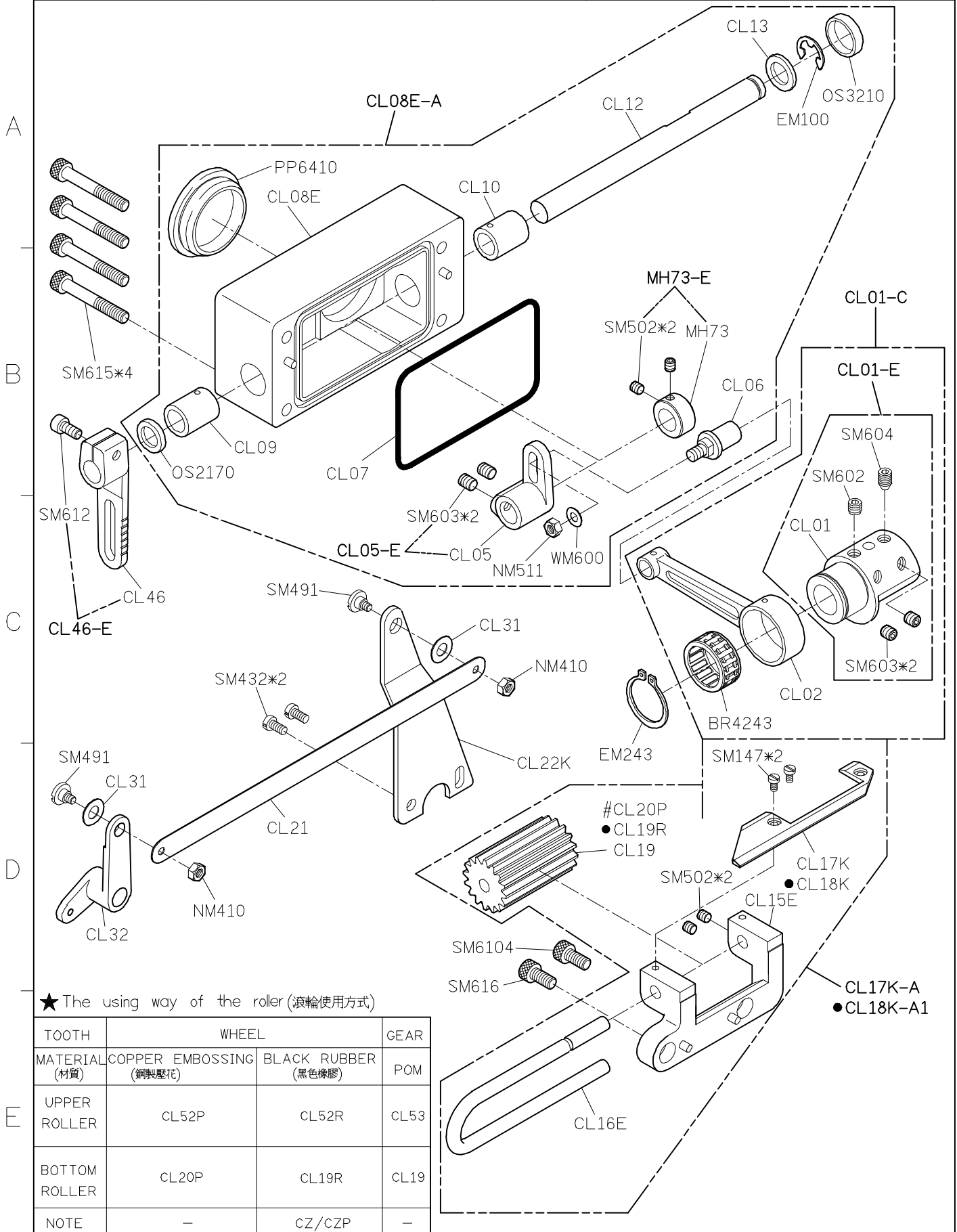
Page

1/2

Date

2014/01/09





★ The using way of the roller (滾輪使用方式)

TOOTH	WHEEL		GEAR
MATERIAL (材質)	COPPER EMBOSING (銅製壓花)	BLACK RUBBER (黑色橡膠)	POM
UPPER ROLLER	CL52P	CL52R	CL53
BOTTOM ROLLER	CL20P	CL19R	CL19
NOTE	-	CZ/CZP	-

1

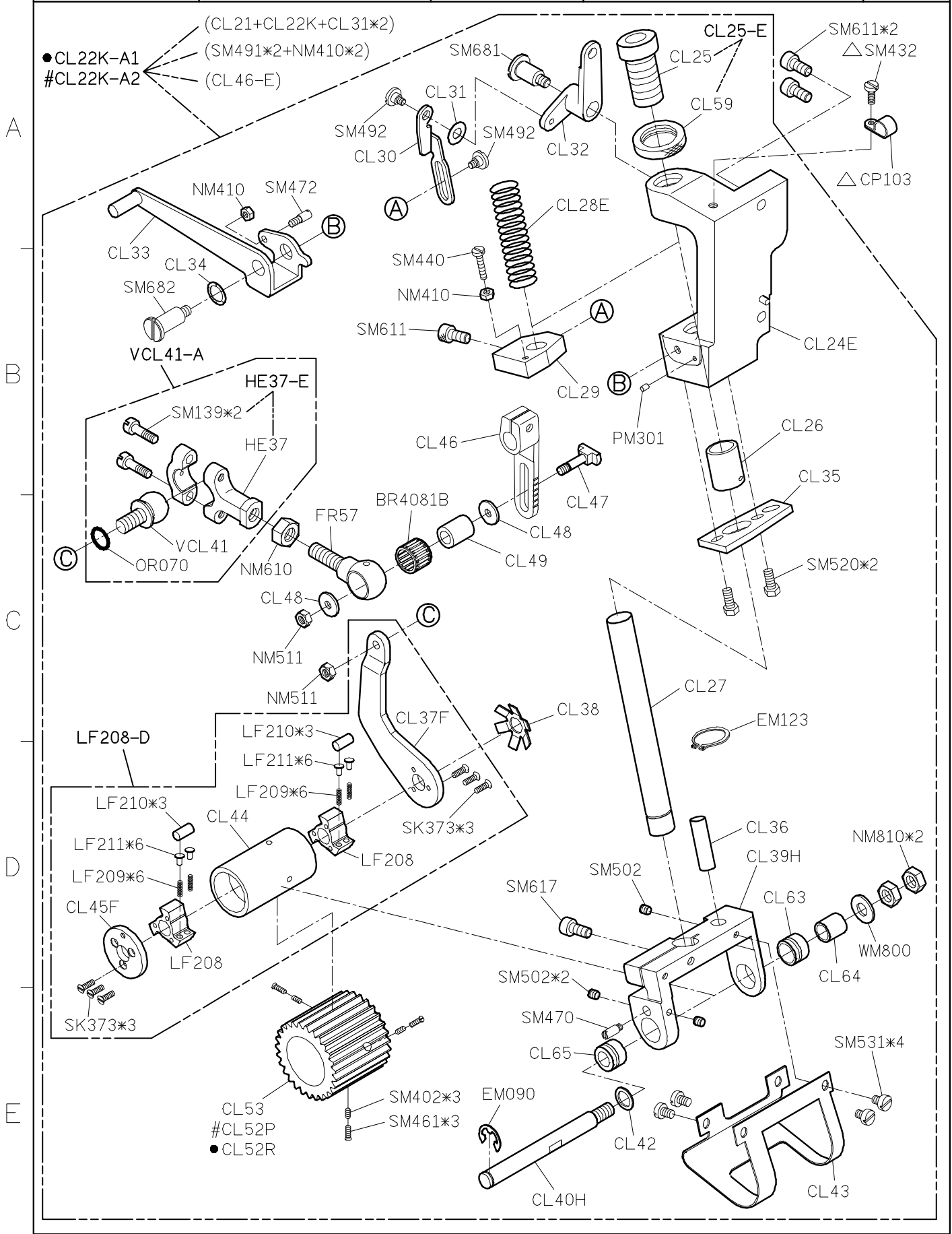
2

3

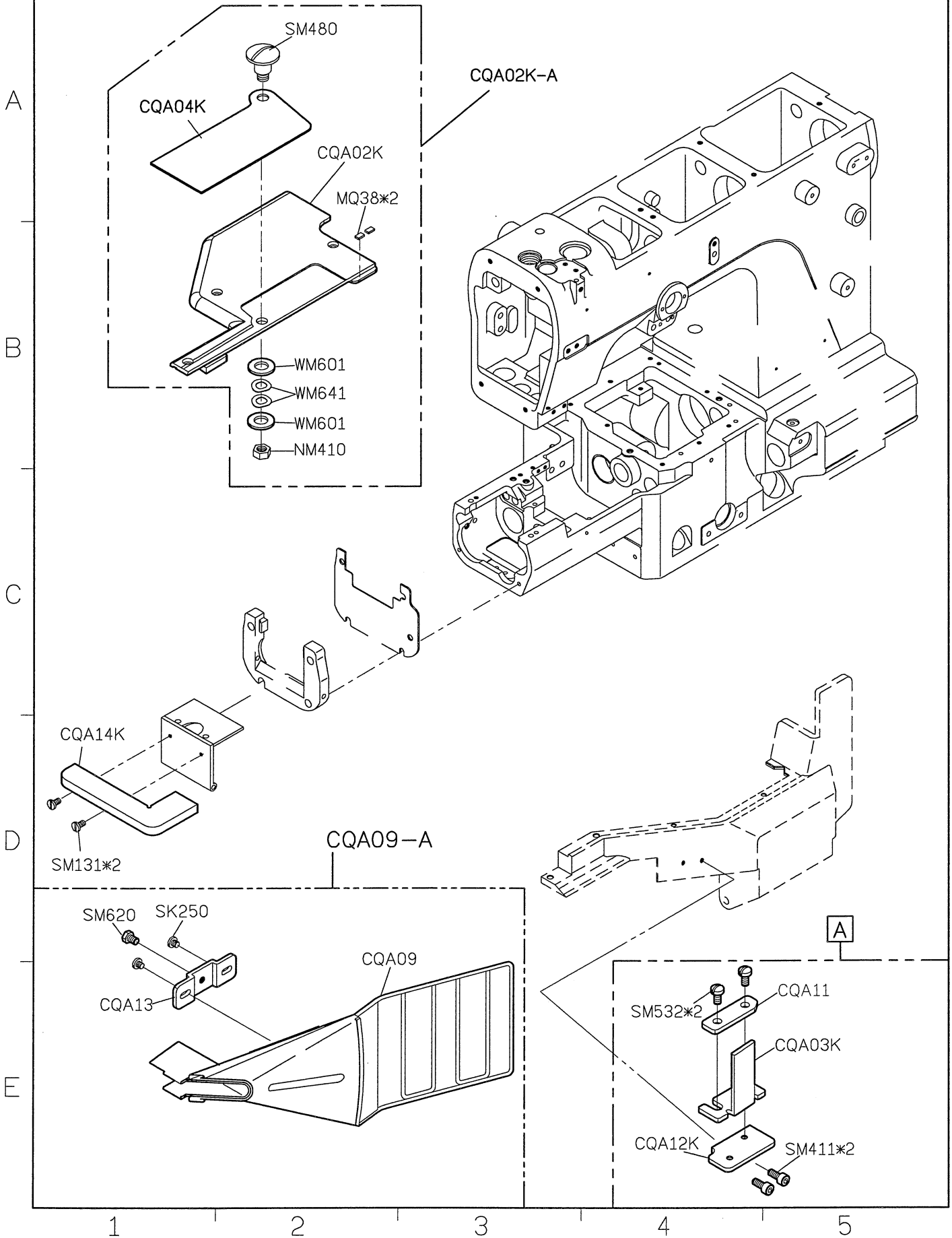
4

5

SIRUBA PARTS LIST	Series	Parts Group	Subclass / Remark	Page
	C007K/C007KD C858K/C858KD	CL-K	● : Use for CLA	2/2
			△ : Use for UTP/UTQ	Date
			# : Use for allocation	2012/11/01



SIRUBA PARTS LIST	Series	Parts Group	Subclass / Remark	Page
	C007K/C007KD	CQA-K		1/2
	C858K/C858KD			Date
				2015/09/07



SIRUBA PARTS LIST	Series	Parts Group	Subclass / Remark	Page
	C007K/C007KD	CQA-K		2/2
	C858K/C858KD			Date
				2012/11/01

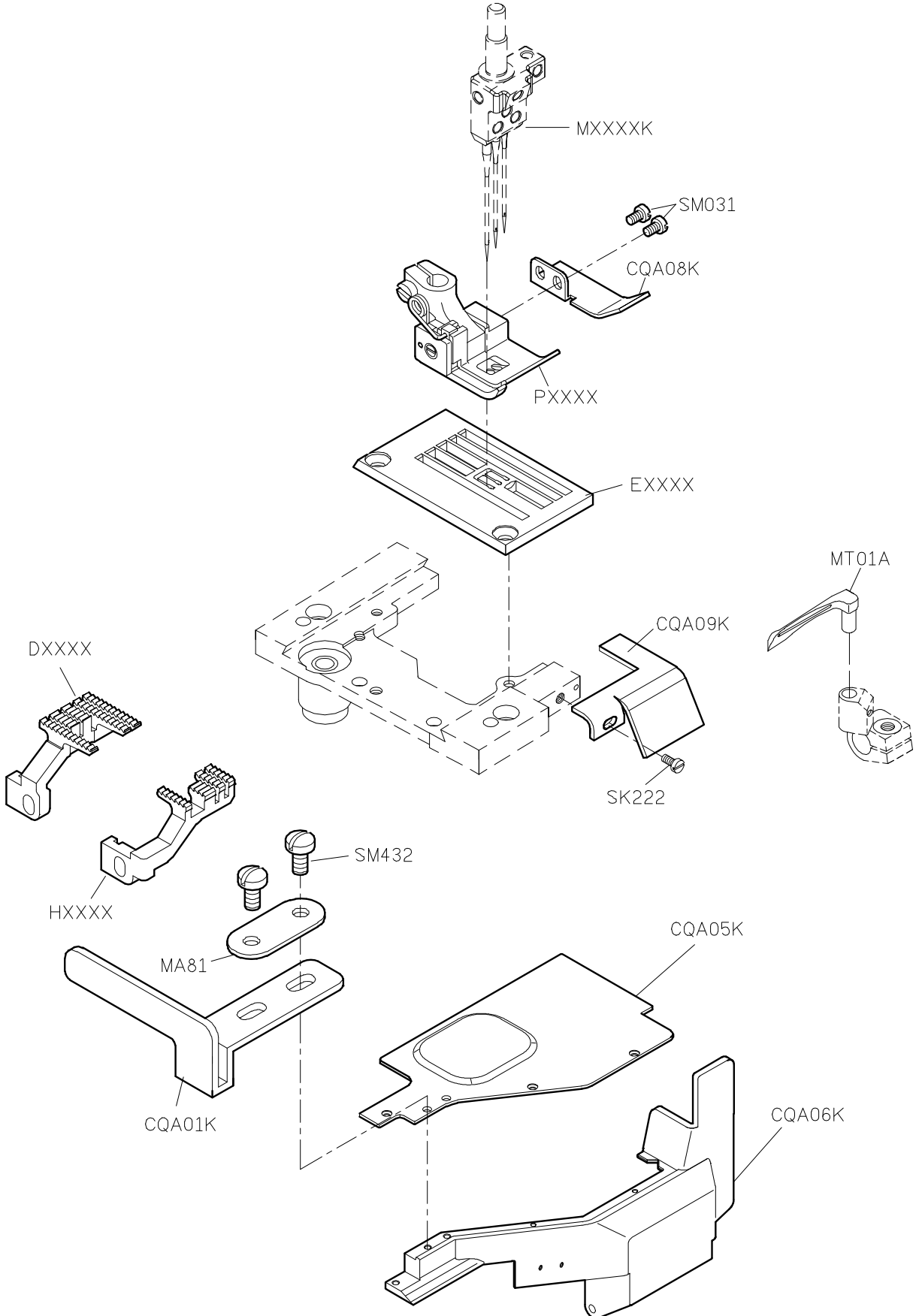
A

B

C

D

E



1

2

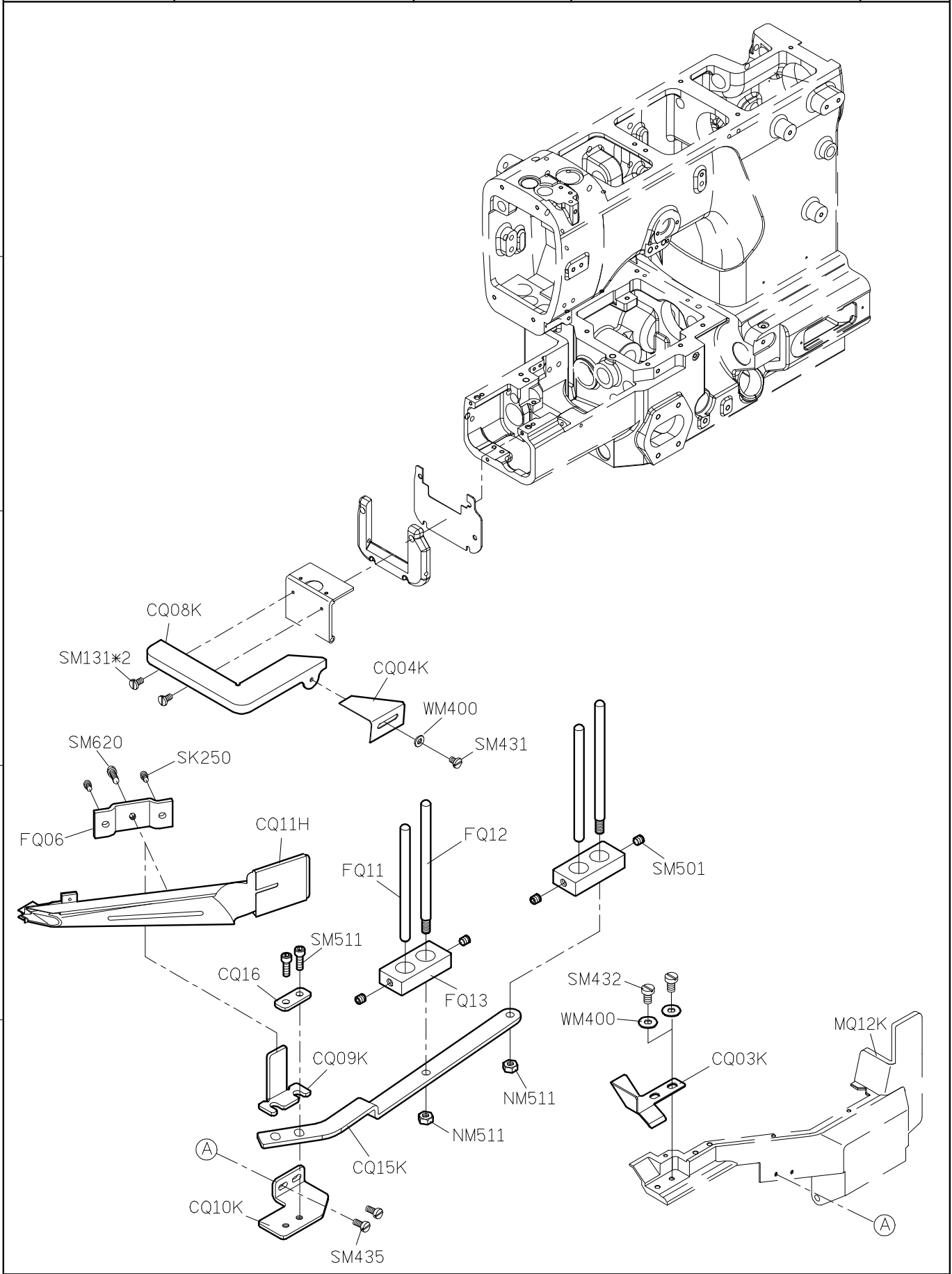
3

4

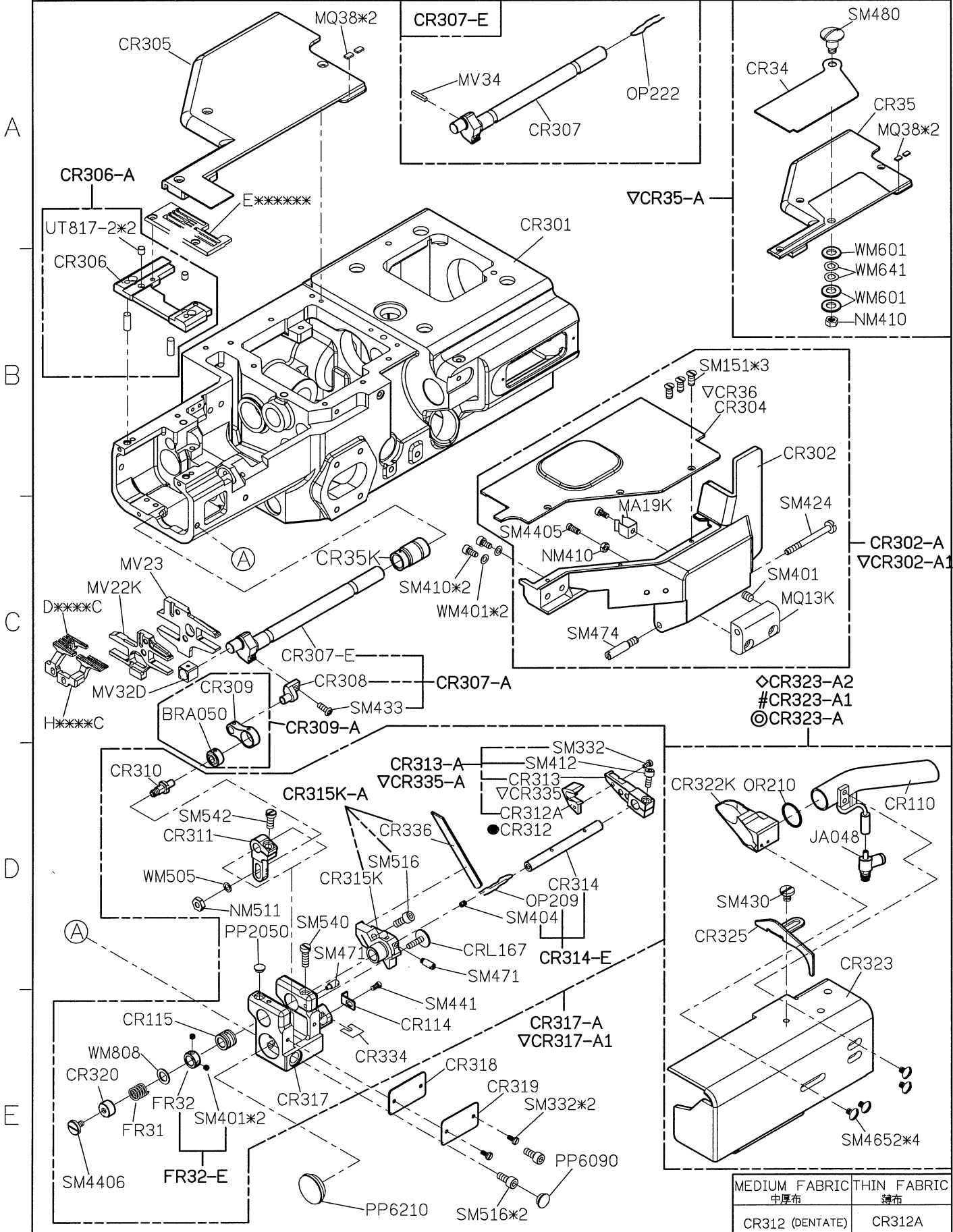
5

SIRUBA PARTS LIST	Series	Parts Group	Subclass / Remark	Page
	C007K/C007KD	CQ-K		1/1
	C858K/C858KD			Date
				2012/11/01

A
B
C
D
E

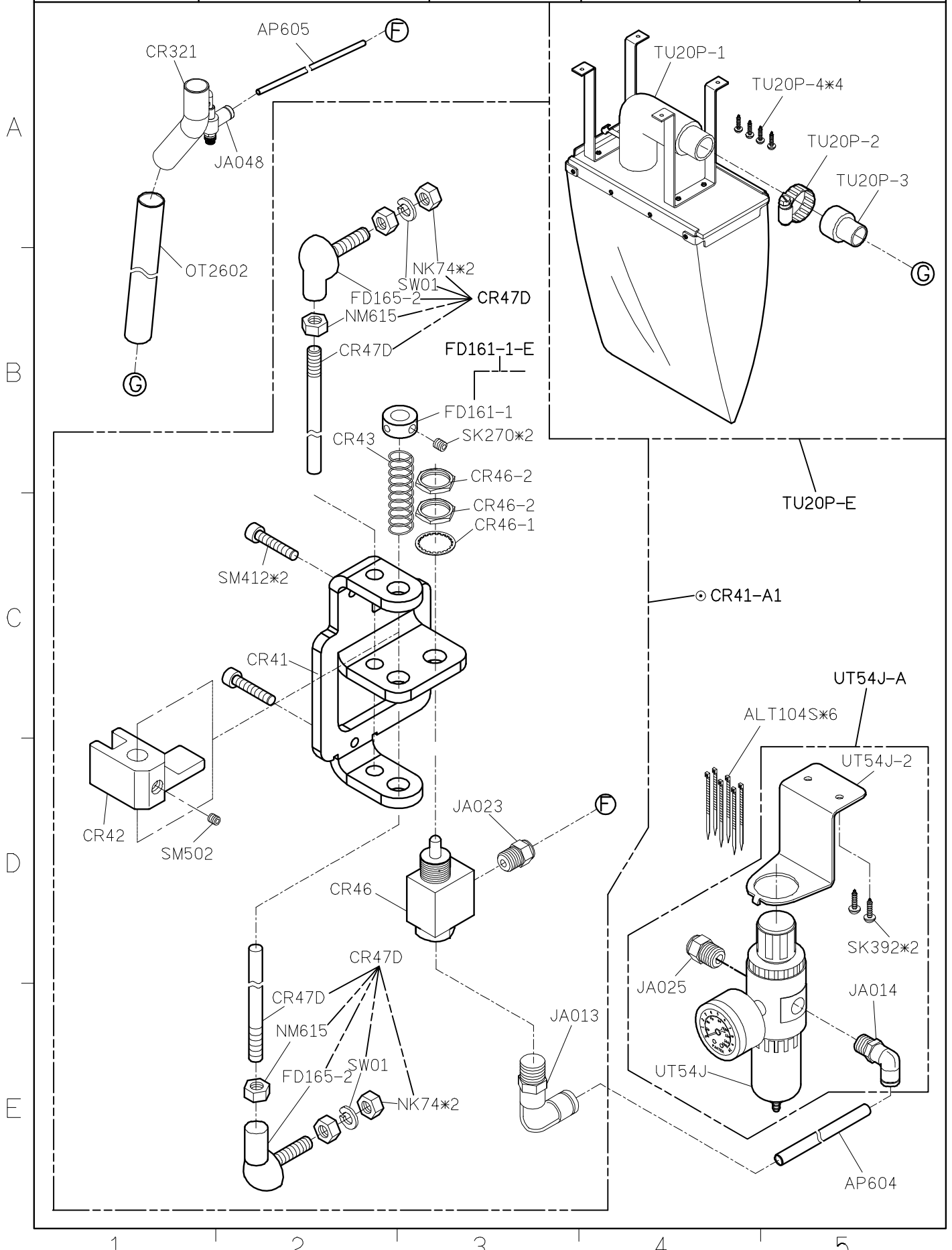


SIRUBA PARTS LIST	Series	Parts Group	Subclass / Remark	Page
	C007K/C007KD C858K/C858KD	CR-K	◇ : Use for Basic CR	1/3
			# : Use for CX	Date
			◎ : Use for CR/CX	2015/10/02
			▽ : Use for attach FFC	
			● : Use for allocation	

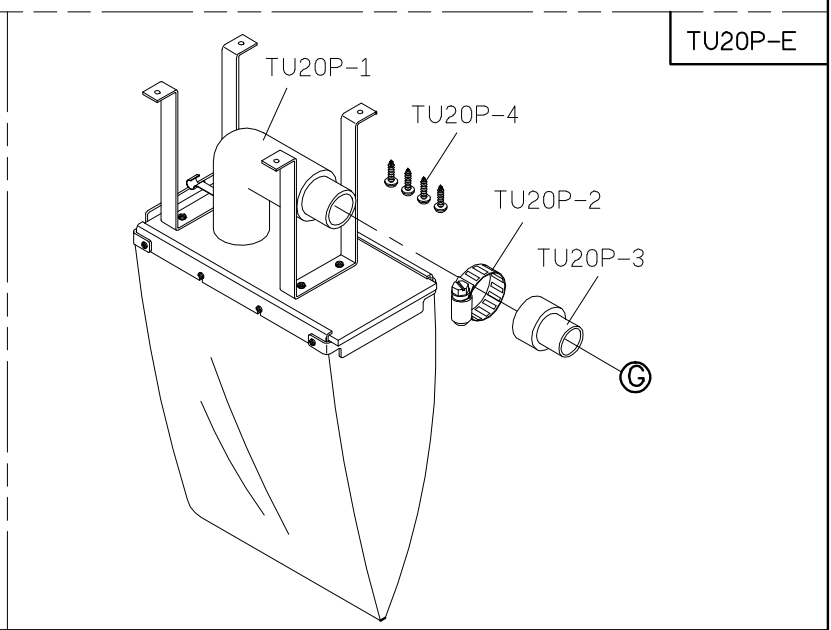
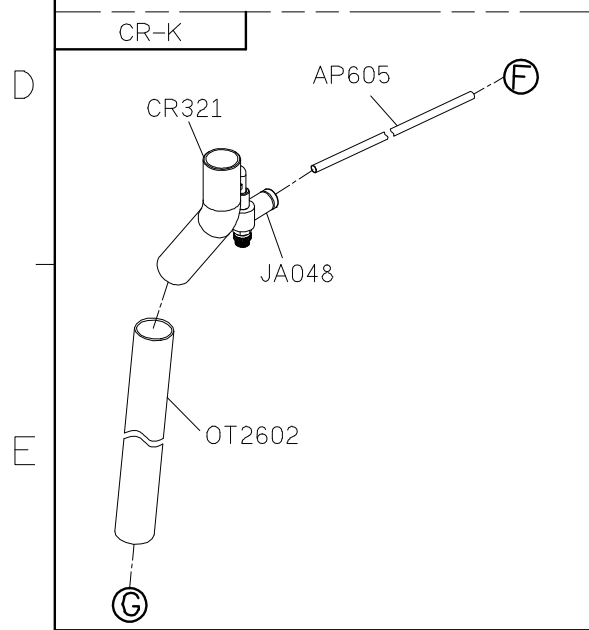
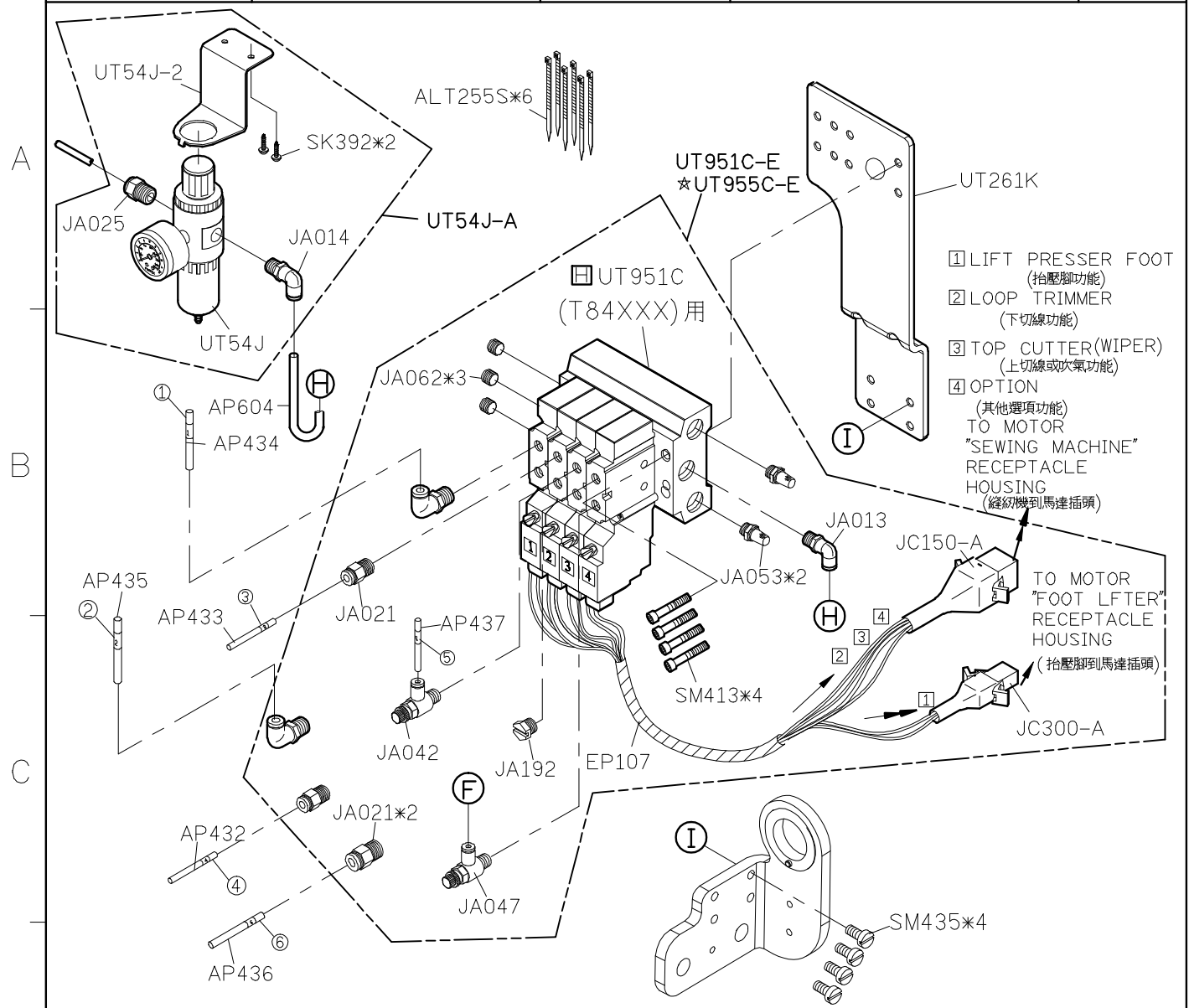


MEDIUM FABRIC 中厚布	THIN FABRIC 薄布
CR312 (DENTATE)	CR312A

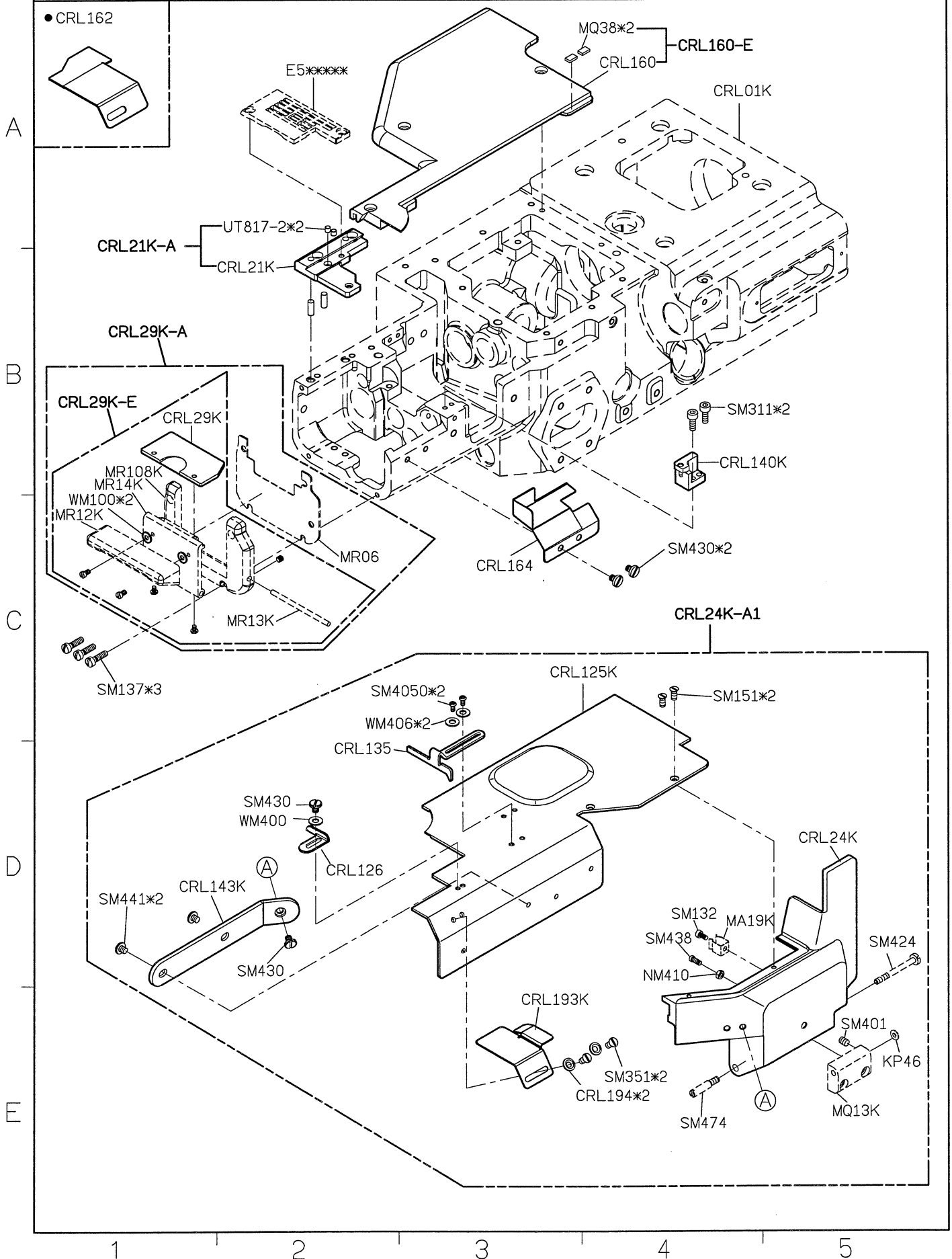
1 2 3 4 5



SIRUBA PARTS LIST	Series	Parts Group	Subclass / Remark	Page
	C007K/C007KD C858K/C858KD	CR-K	☐ : Use for H brand motor (HVP-20)	3/3
			☆ : Use for C007KD-CR(CX)/ C858KD-CR(CX)	Date
				2012/11/01



SIRUBA PARTS LIST	Series	Parts Group	Subclass / Remark	Page
	C007K/C007KD C858K/C858KD	CRL-K	• : Use for general machine to re-equip	2/4
				Date
				2015/09/07



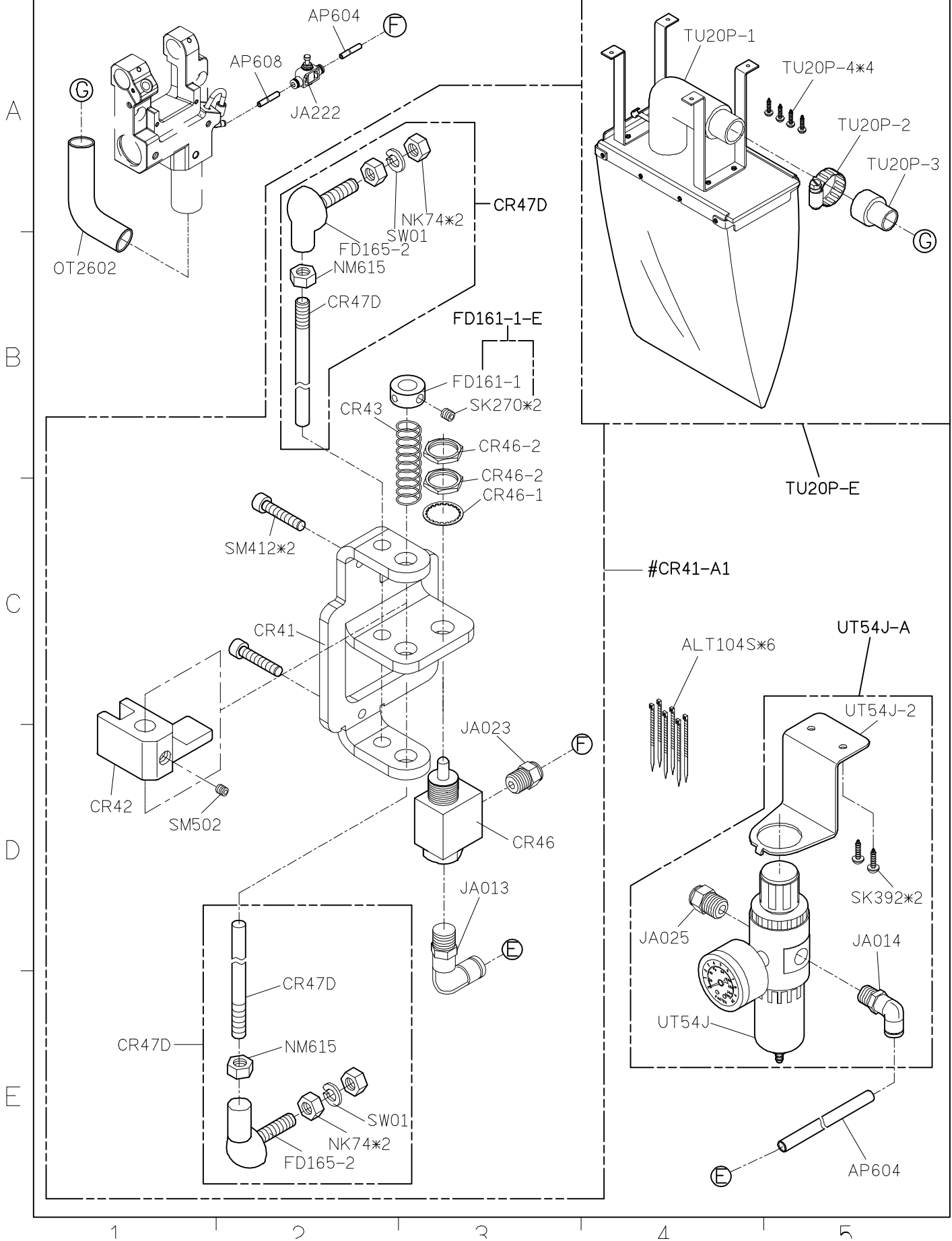
SIRUBA
PARTS LIST

Series
C007K/C007KD
C858K/C858KD

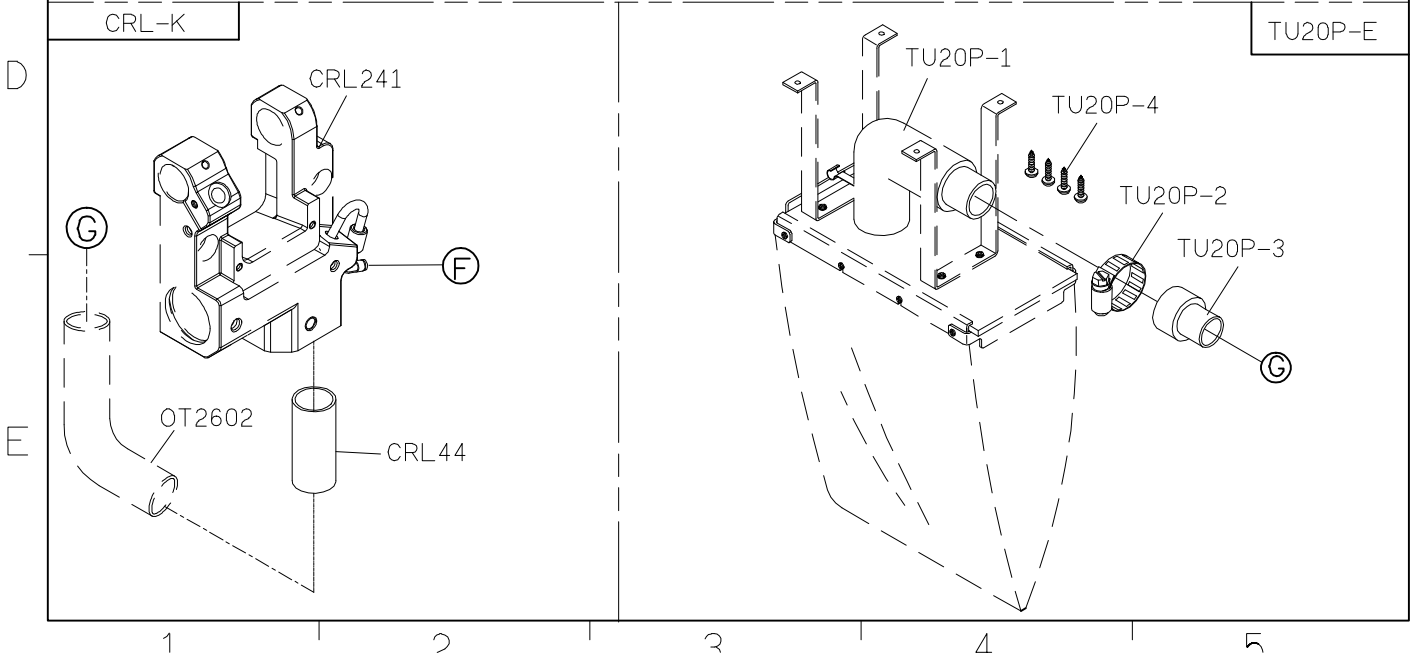
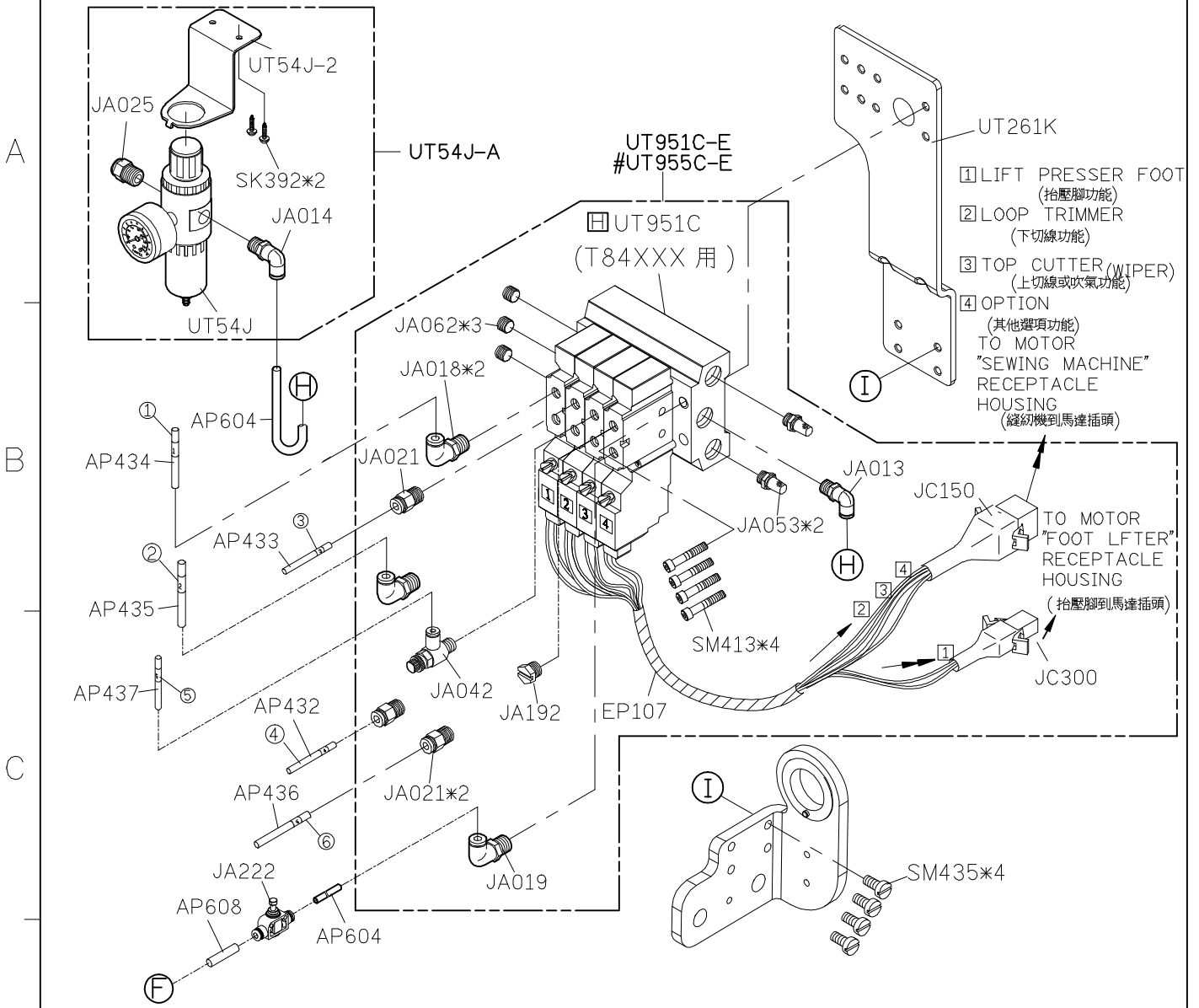
Parts Group
CRL-K

Subclass / Remark
#: UTP/UTQ is not
collocatéc with

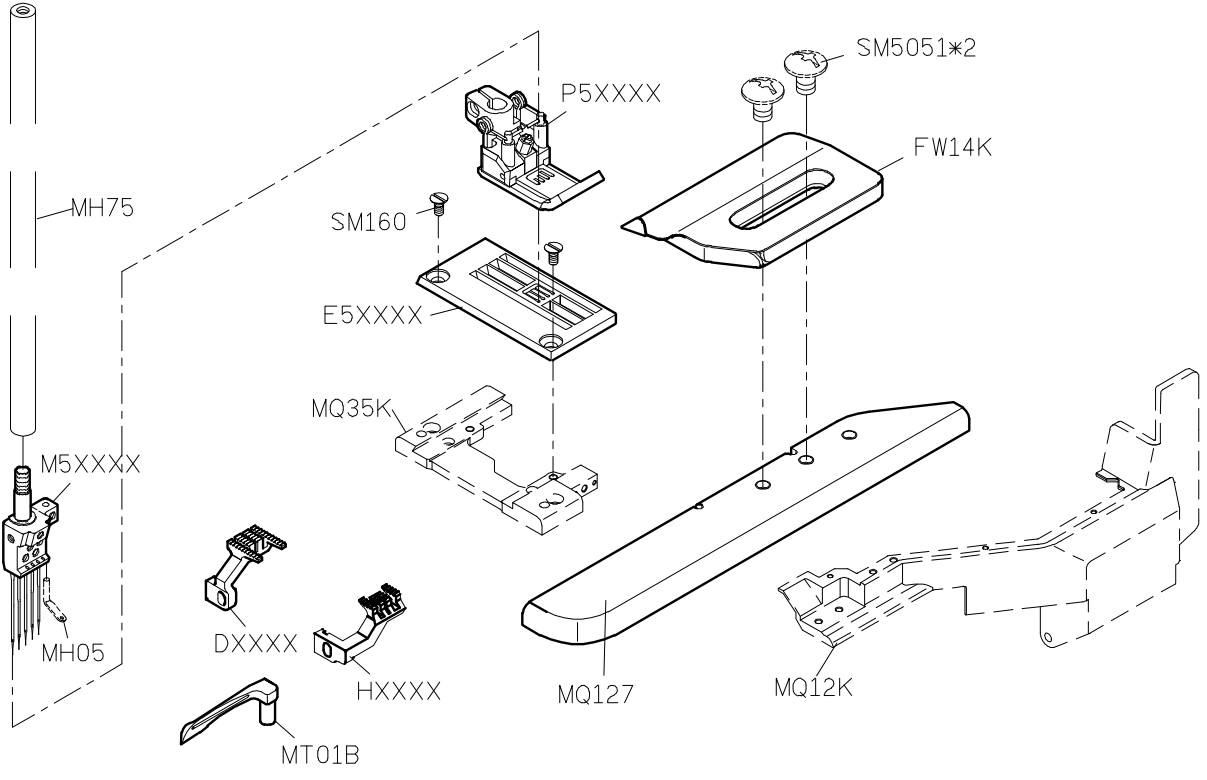
Page
3/4
Date
2015/02/24



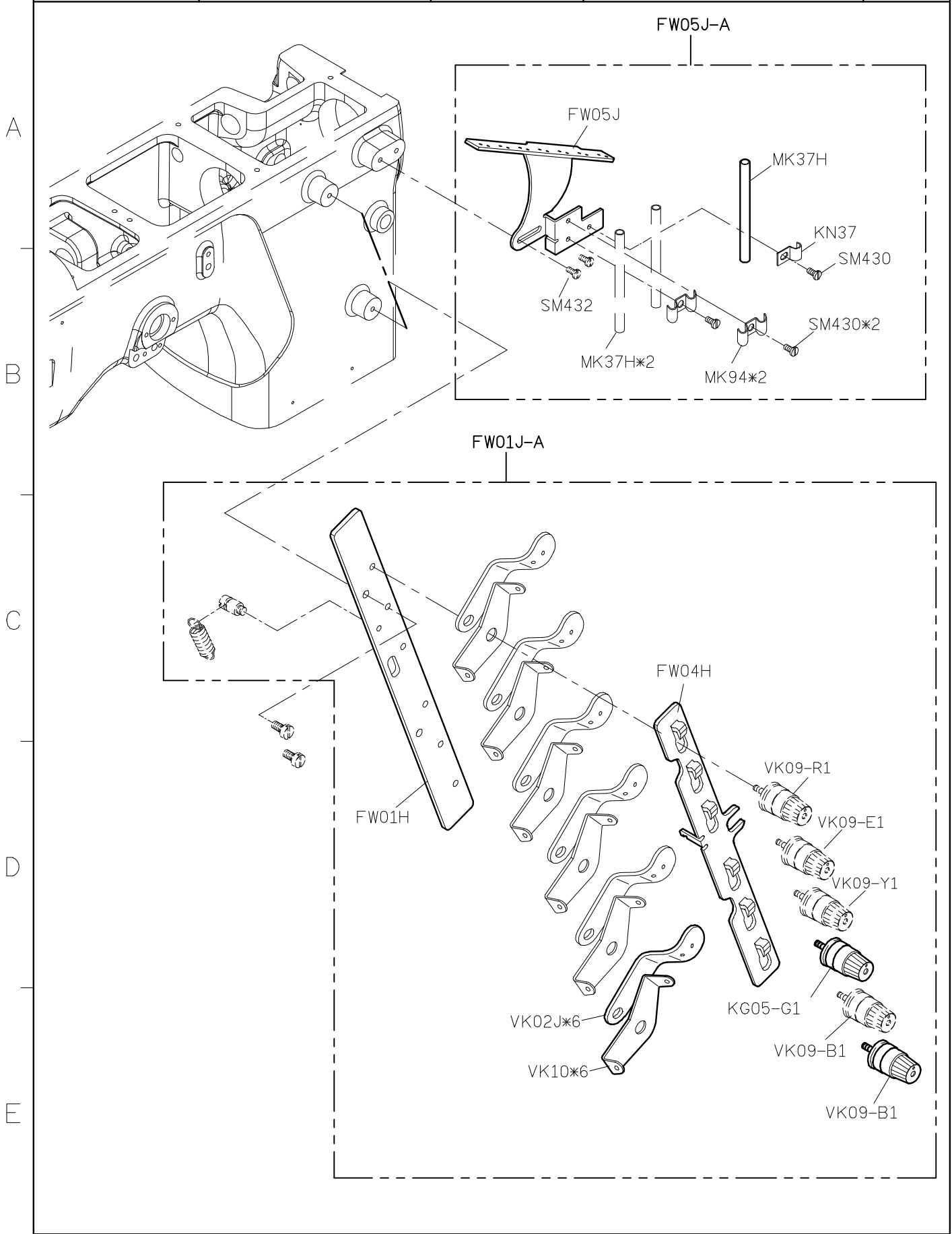
SIRUBA PARTS LIST	Series	Parts Group	Subclass / Remark	Page
	C007K/C007KD	CRL-K	☐ : Use for H brand motor (HVP-20) #: Use for C007KD/858KD-CRL	4/4
	C858K/C858KD			Date
				2015/02/24



A
B
C
D
E



SIRUBA PARTS LIST	Series	Parts Group	Subclass / Remark	Page
	C007K/C007KD	CW-K		2/3
	C858K/C858KD			Date
				2014/08/05



1

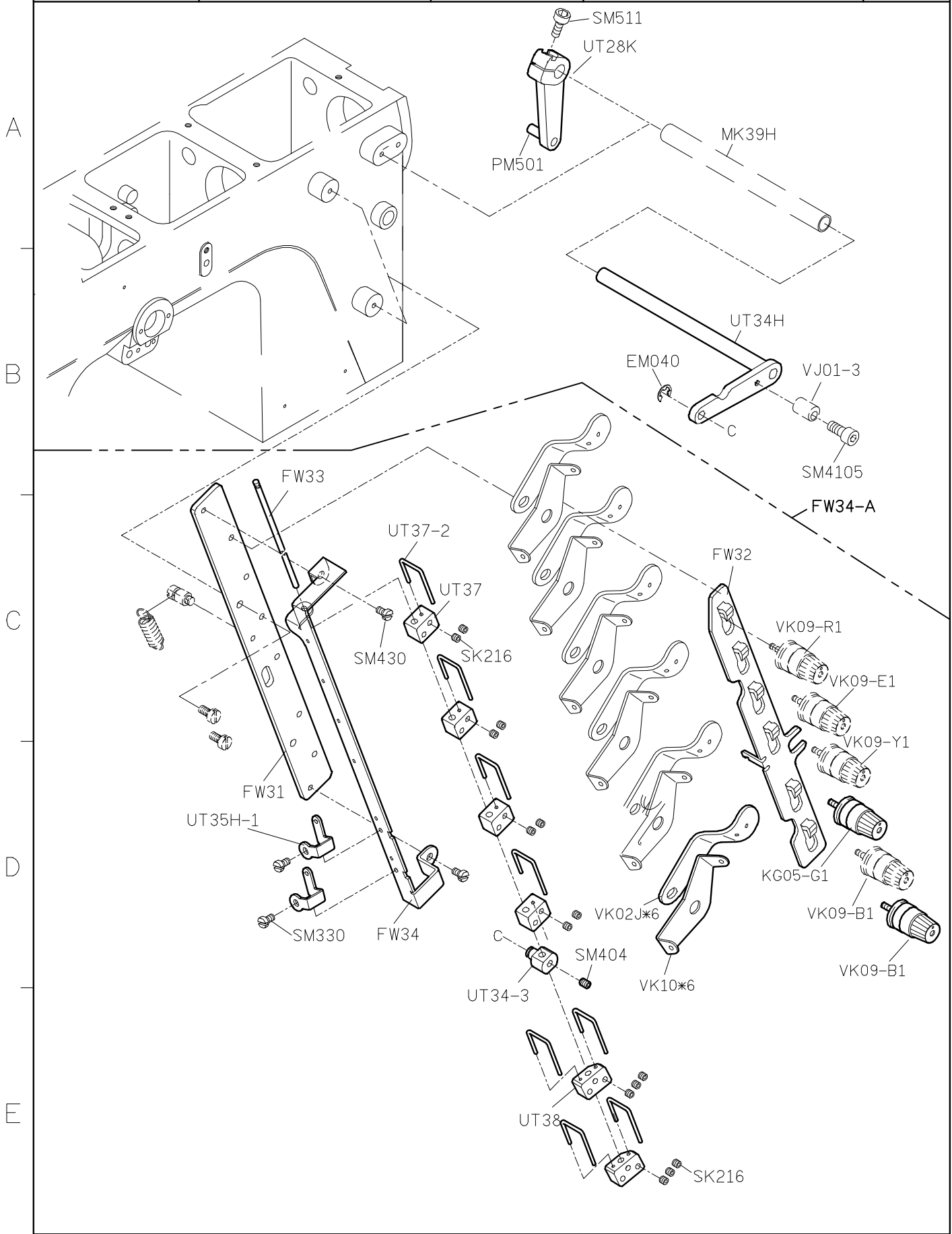
2

3

4

5

SIRUBA PARTS LIST	Series	Parts Group	Subclass / Remark	Page
	C007K/C007KD	CW-K	For UTQ	3/3
	C858K/C858KD			Date
	2014/08/05			



1

2

3

4

5

SIRUBA PARTS LIST	Series	Parts Group	Subclass / Remark	Page
	C007K/C007KD	CX-K		1/1
	C858K/C858KD			Date
	2013/04/11			

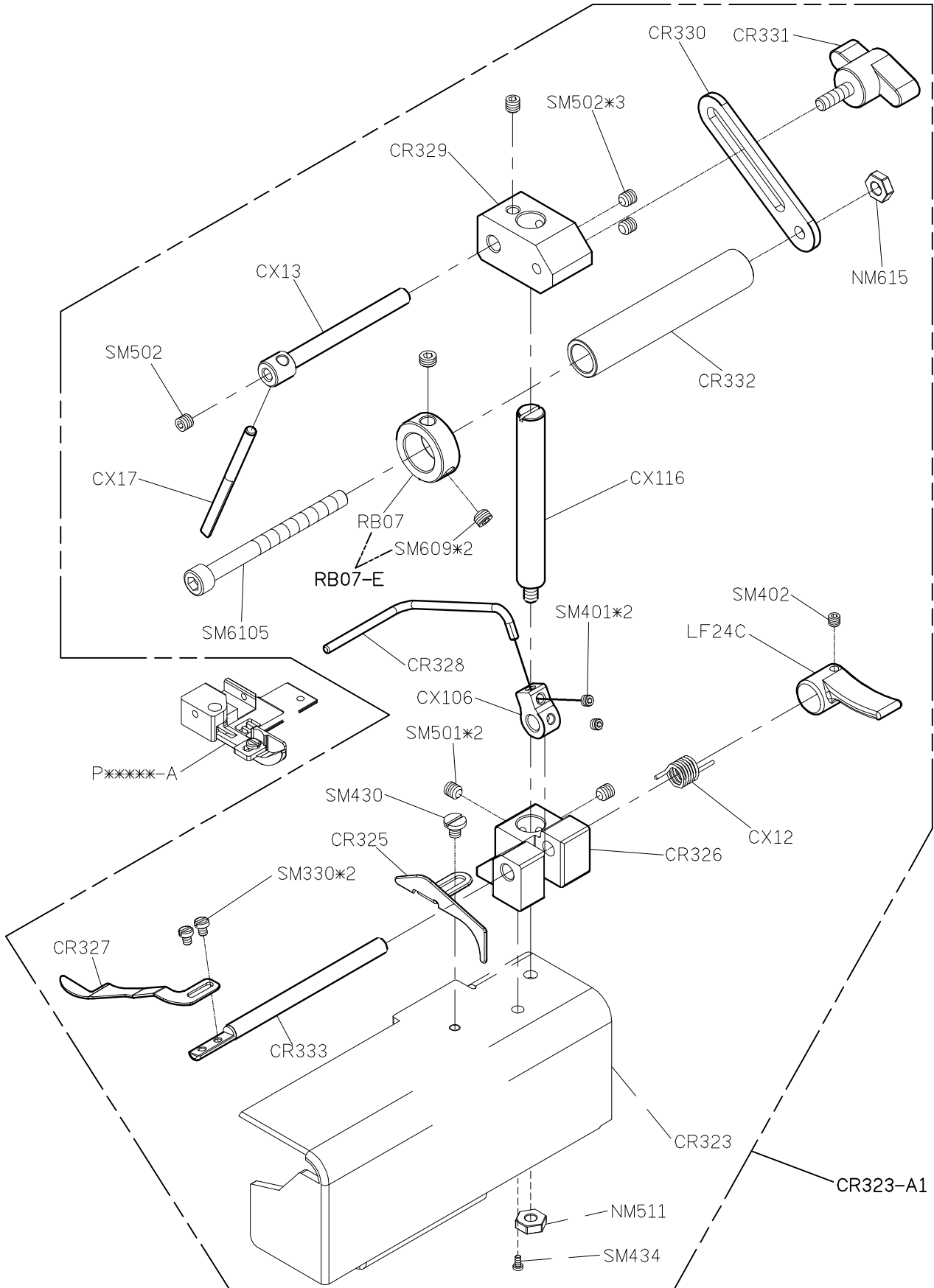
A

B

C

D

E



1

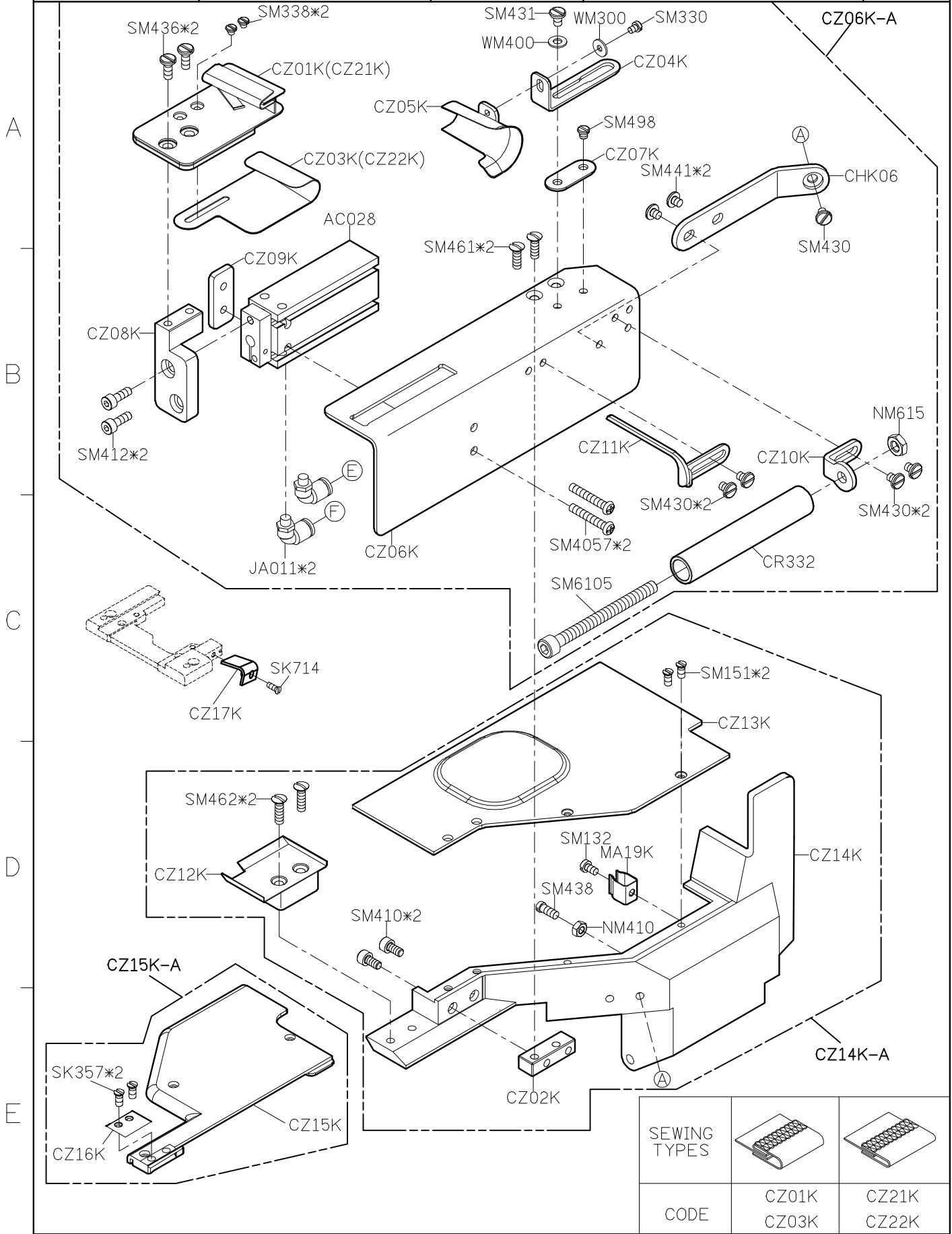
2

3

4

5

SIRUBA PARTS LIST	Series	Parts Group	Subclass / Remark	Page
	C007K/C007KD	CZ-K		1/3
	C858K/C858KD			Date
				2012/11/01



1

2

3

4

5

SIRUBA PARTS LIST	Series	Parts Group	Subclass / Remark	Page
	C007K/C007KD	CZ-K		2/3
	C858K/C858KD			Date
				2012/11/01

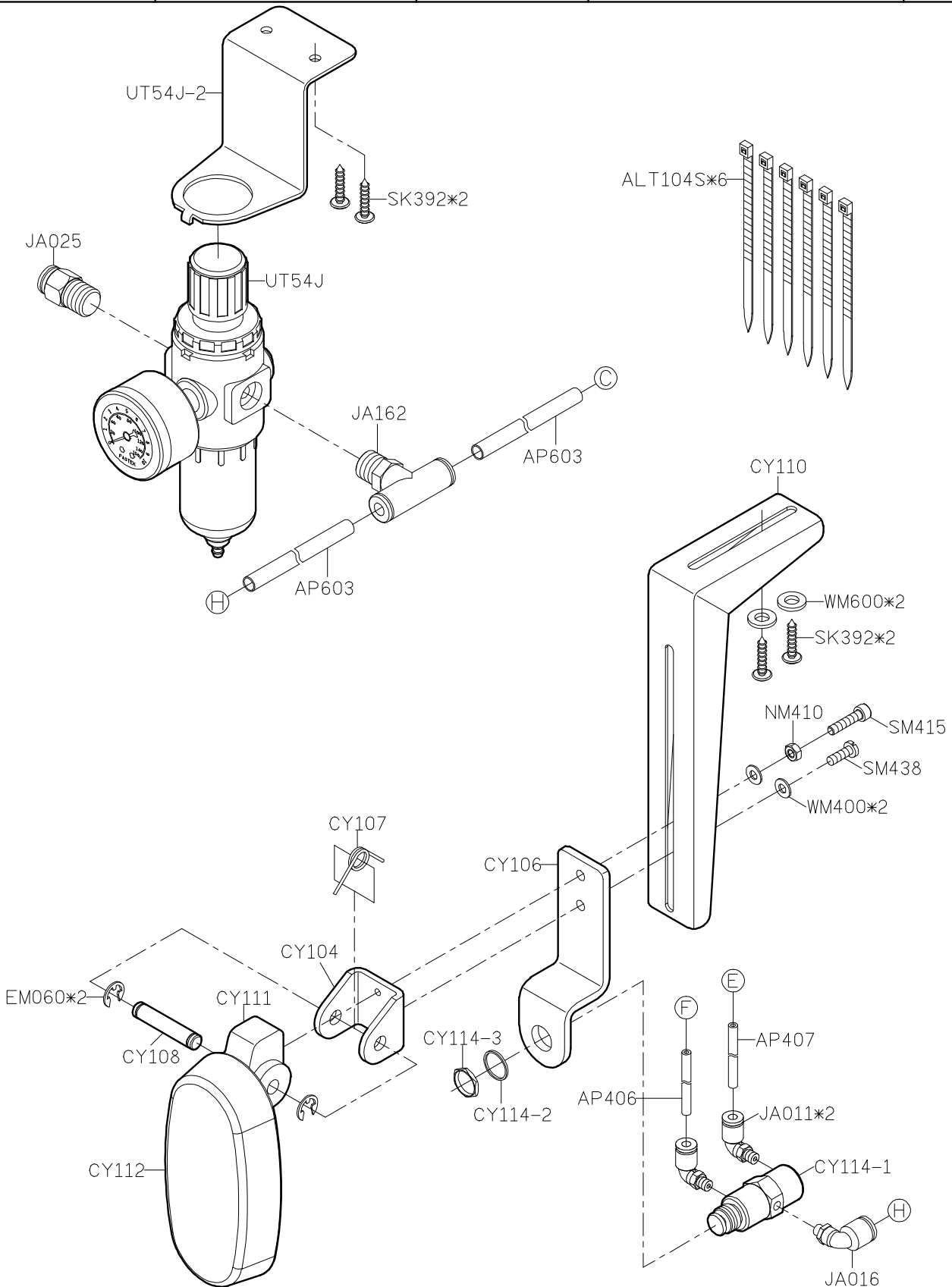
A

B

C

D

E



1

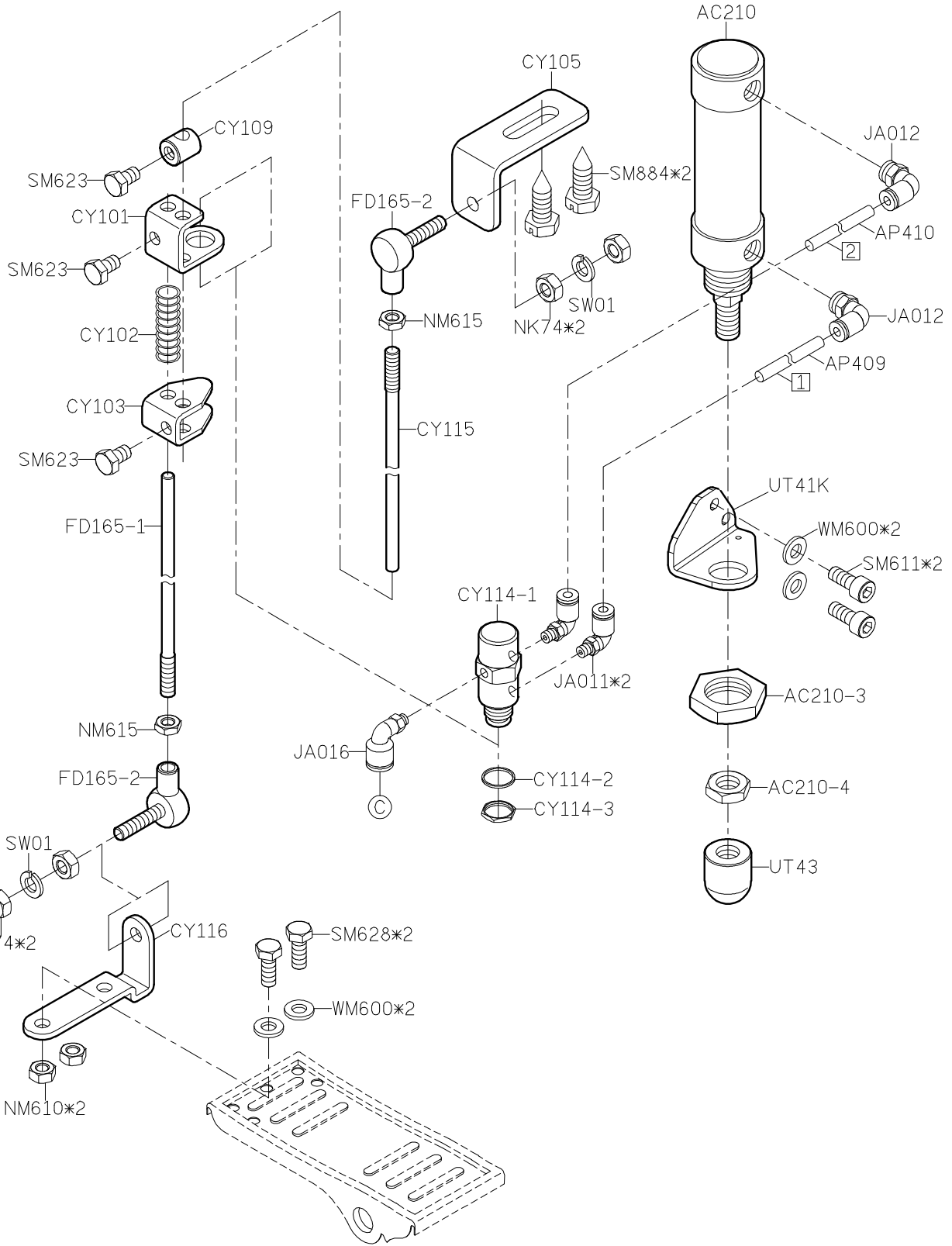
2

3

4

5

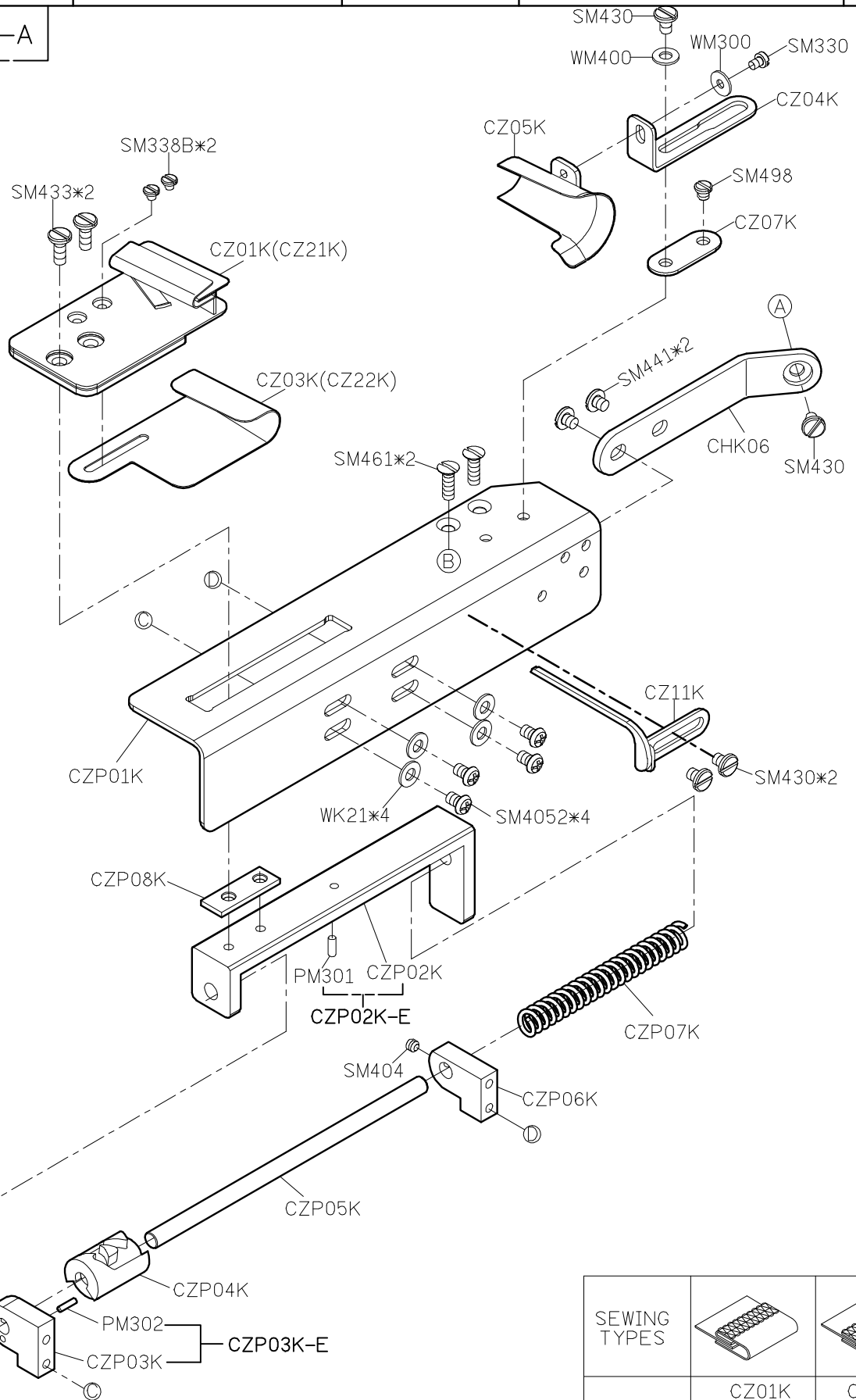
SIRUBA PARTS LIST	Series	Parts Group	Subclass / Remark	Page
	C007K/C007KD	CZ-K		3/3
	C858K/C858KD			Date
				2012/11/01



SIRUBA PARTS LIST	Series	Parts Group	Subclass / Remark	Page
	C007K/C007KD	CZP-K		1/3
	C858K/C858KD		Date	
			2012/11/01	

CZP01K-A

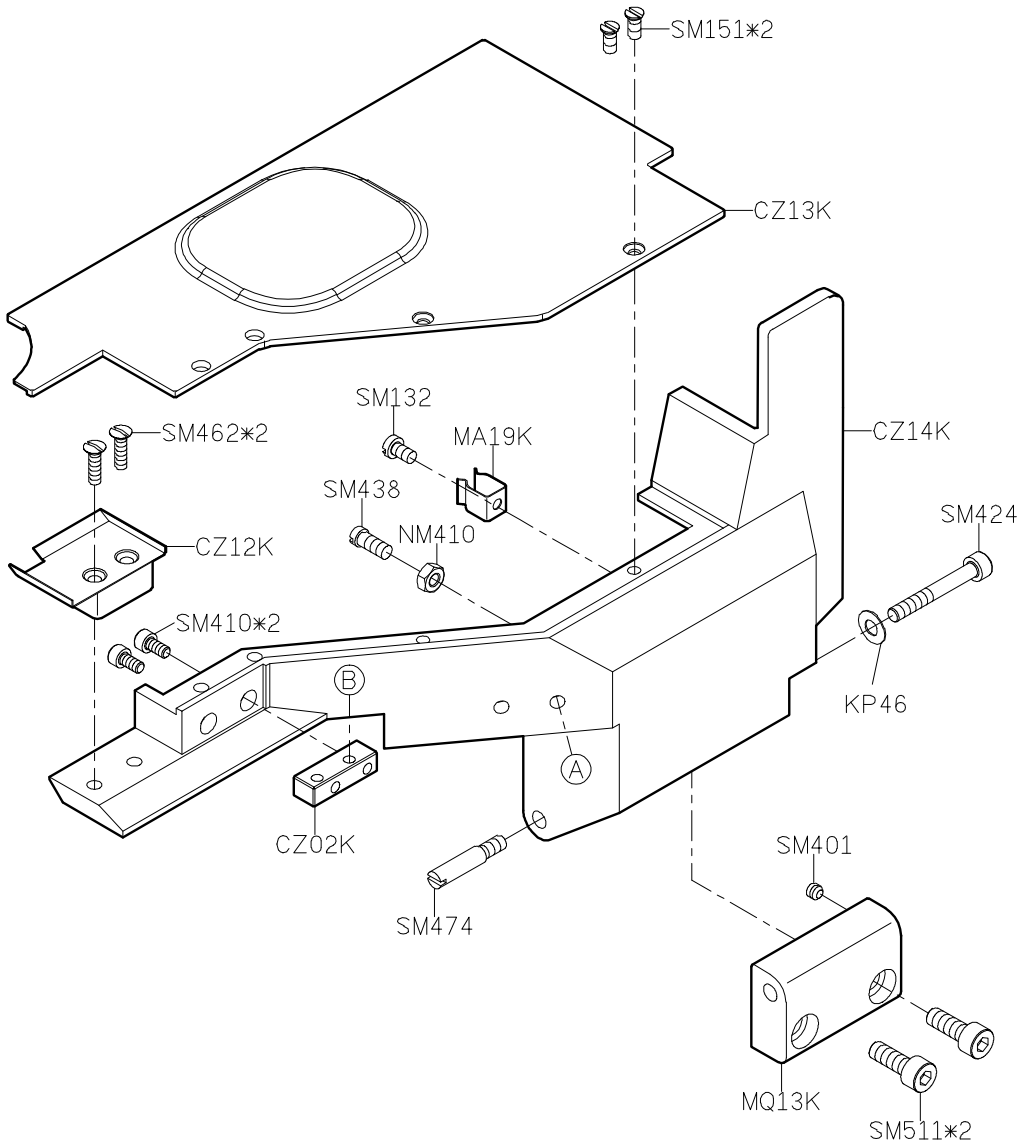
A
B
C
D
E

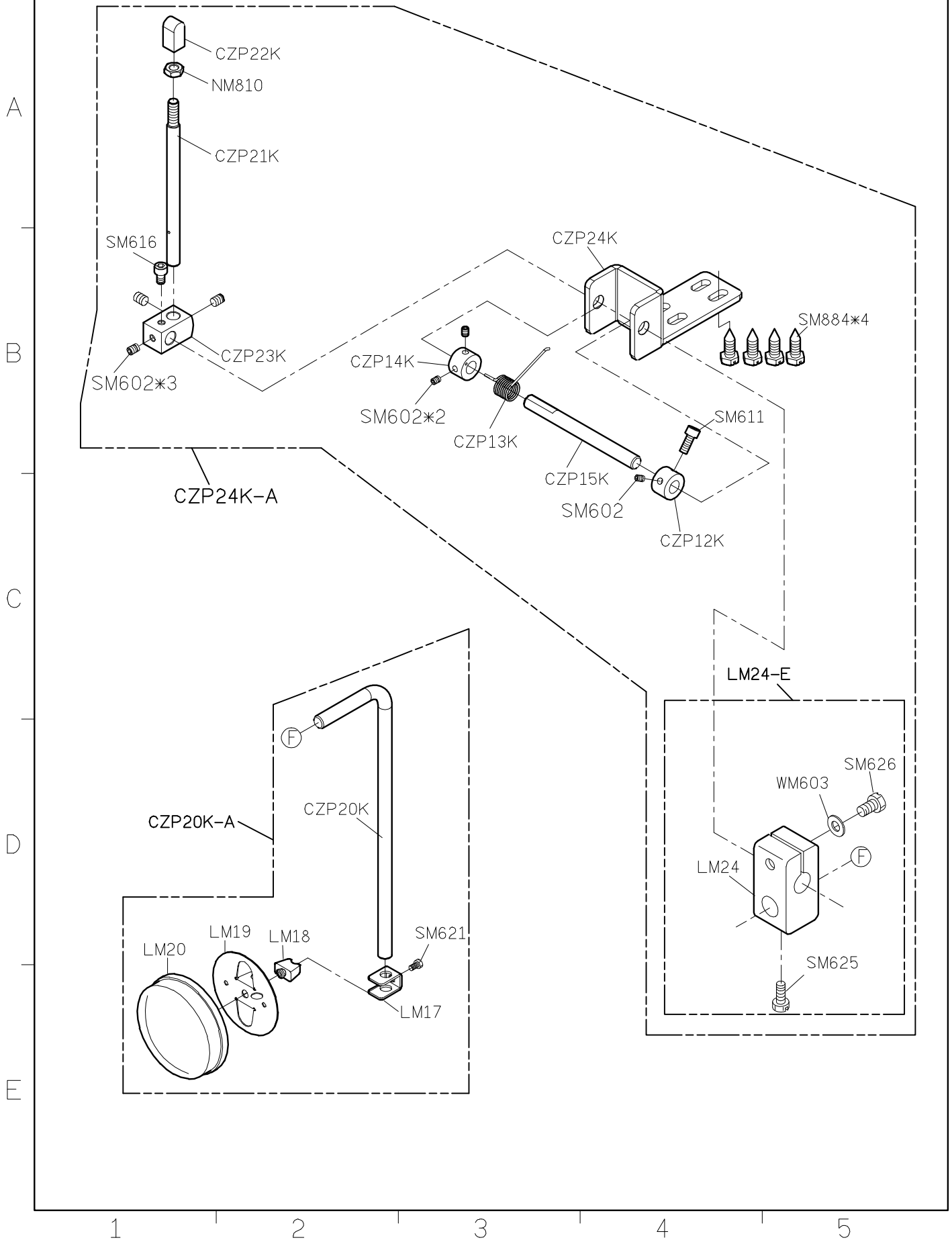


SEWING TYPES		
CODE	CZ01K CZ03K	CZ21K CZ22K

SIRUBA PARTS LIST	Series	Parts Group	Subclass / Remark	Page
	C007K/C007KD	CZP-K		2/3
	C858K/C858KD			Date
				2012/11/01

A
B
C
D
E





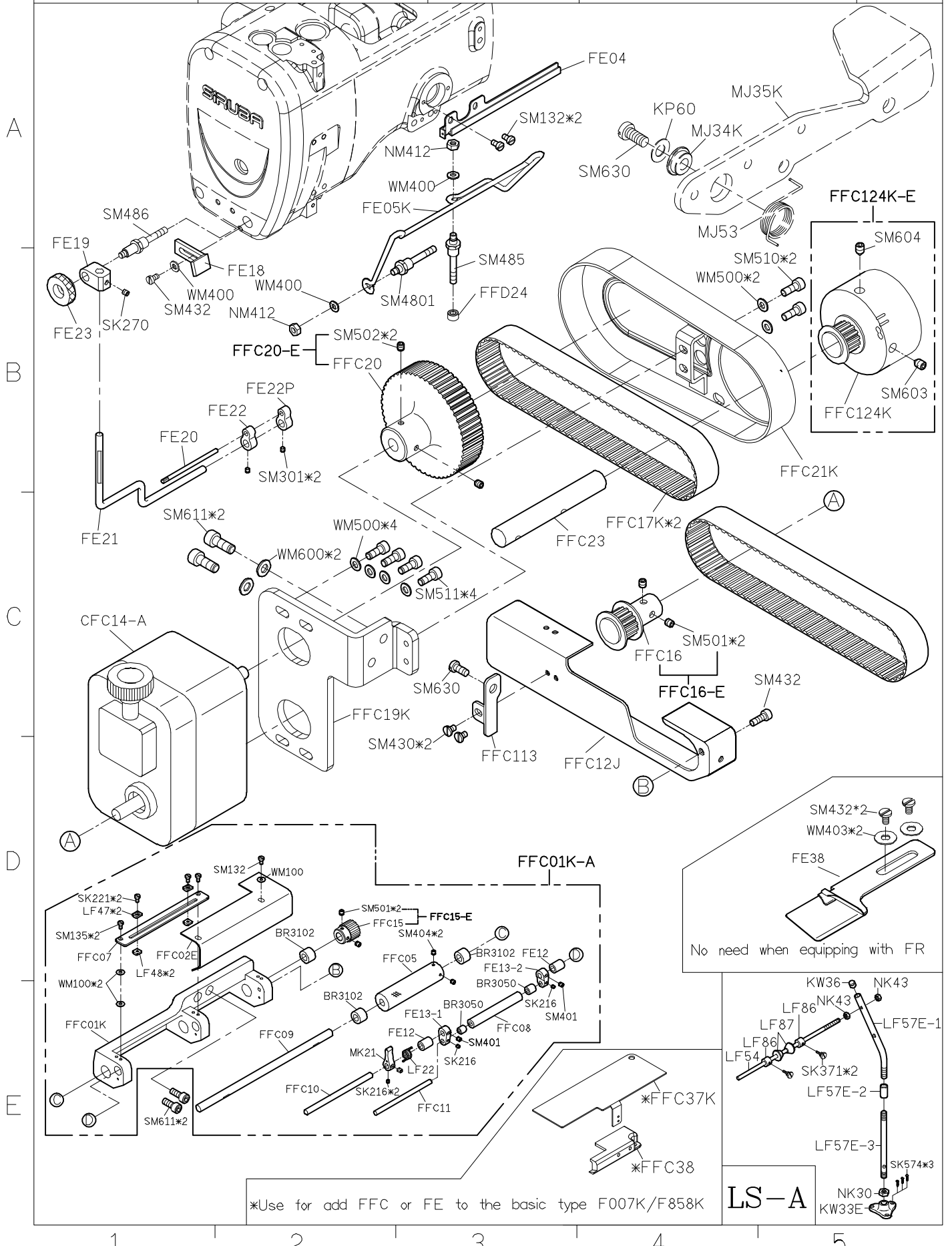
SIRUBA
PARTS LIST

F007K/F007KD
F858K/F858KD
C007K/C858K

Parts Group
FFC-K

Subclass / Remark
For F007K/F858K/C007K/C858K

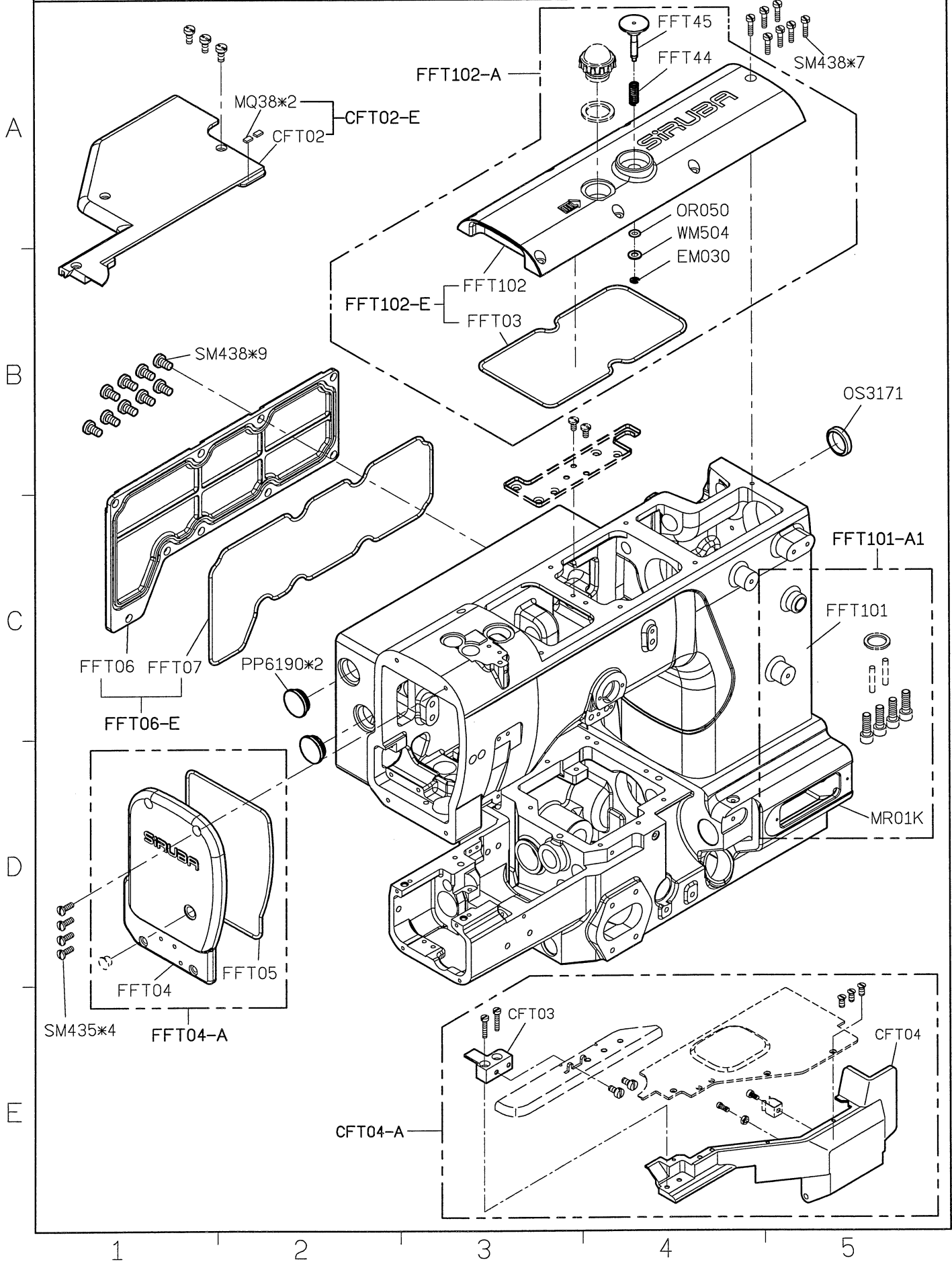
Page
1/1
Date
2015/01/06



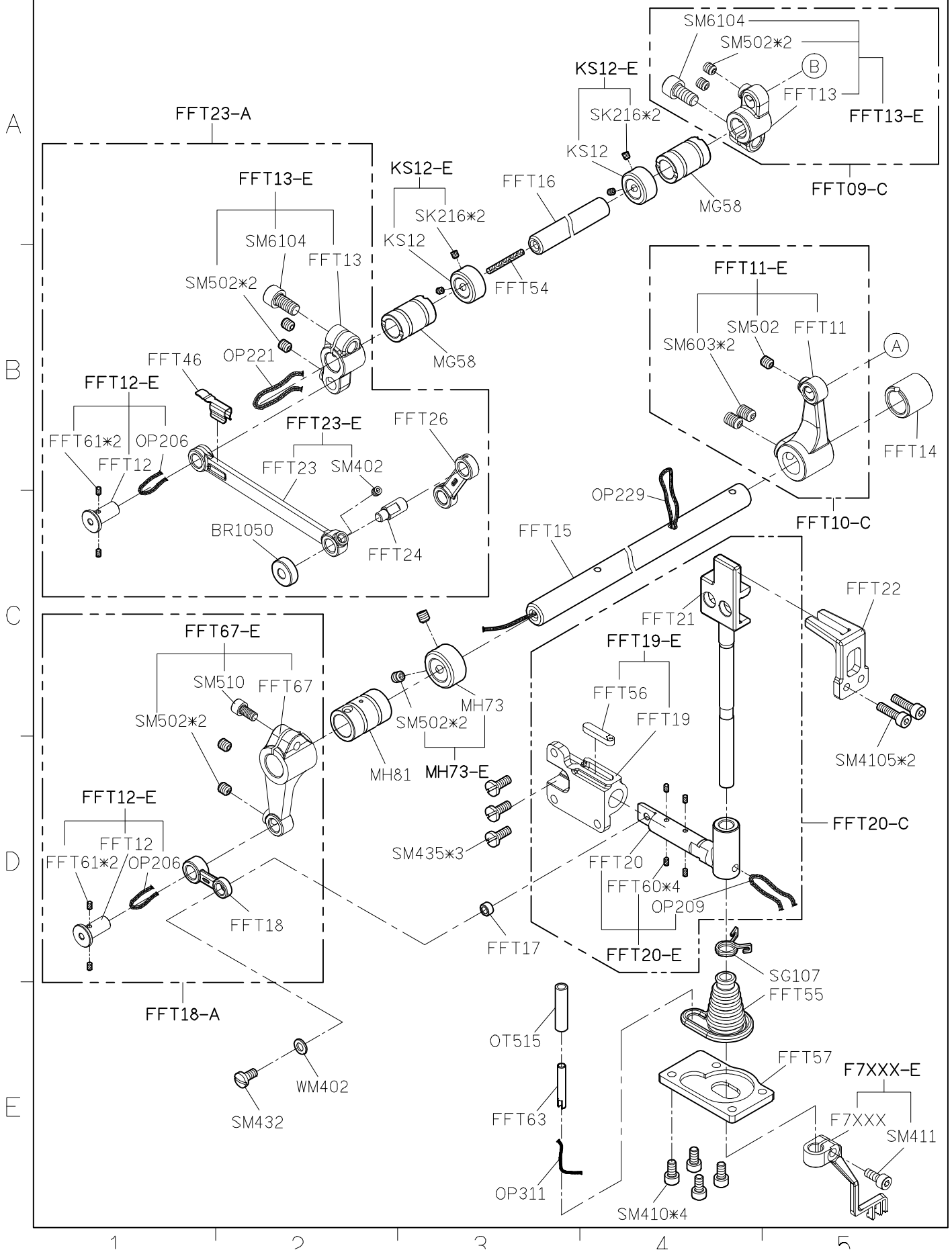
*Use for add FFC or FE to the basic type F007K/F858K

LS-A

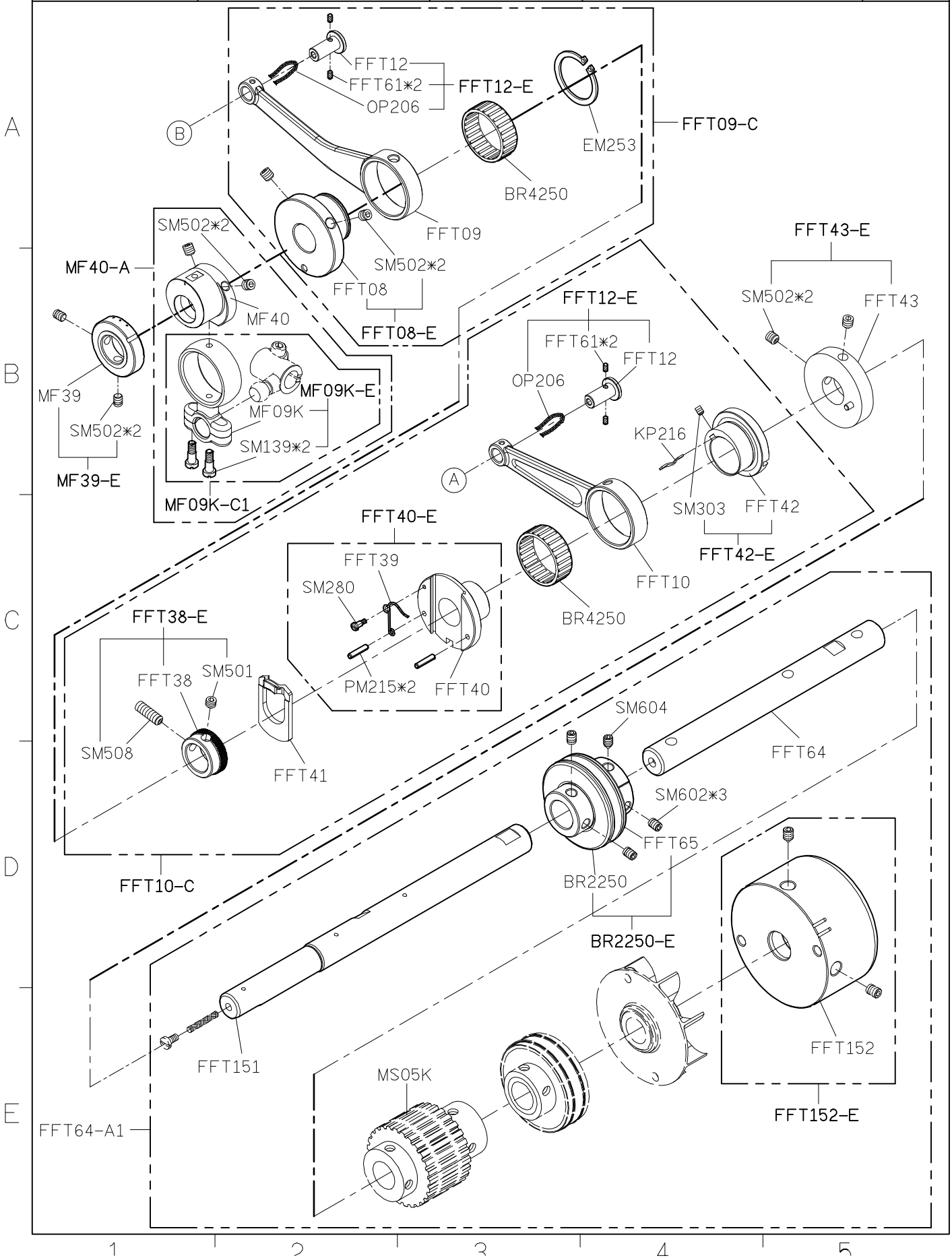
SIRUBA PARTS LIST	Series	Parts Group	Subclass / Remark	Page
	C007KD	FFT		1/7
				Date
				2015/09/07



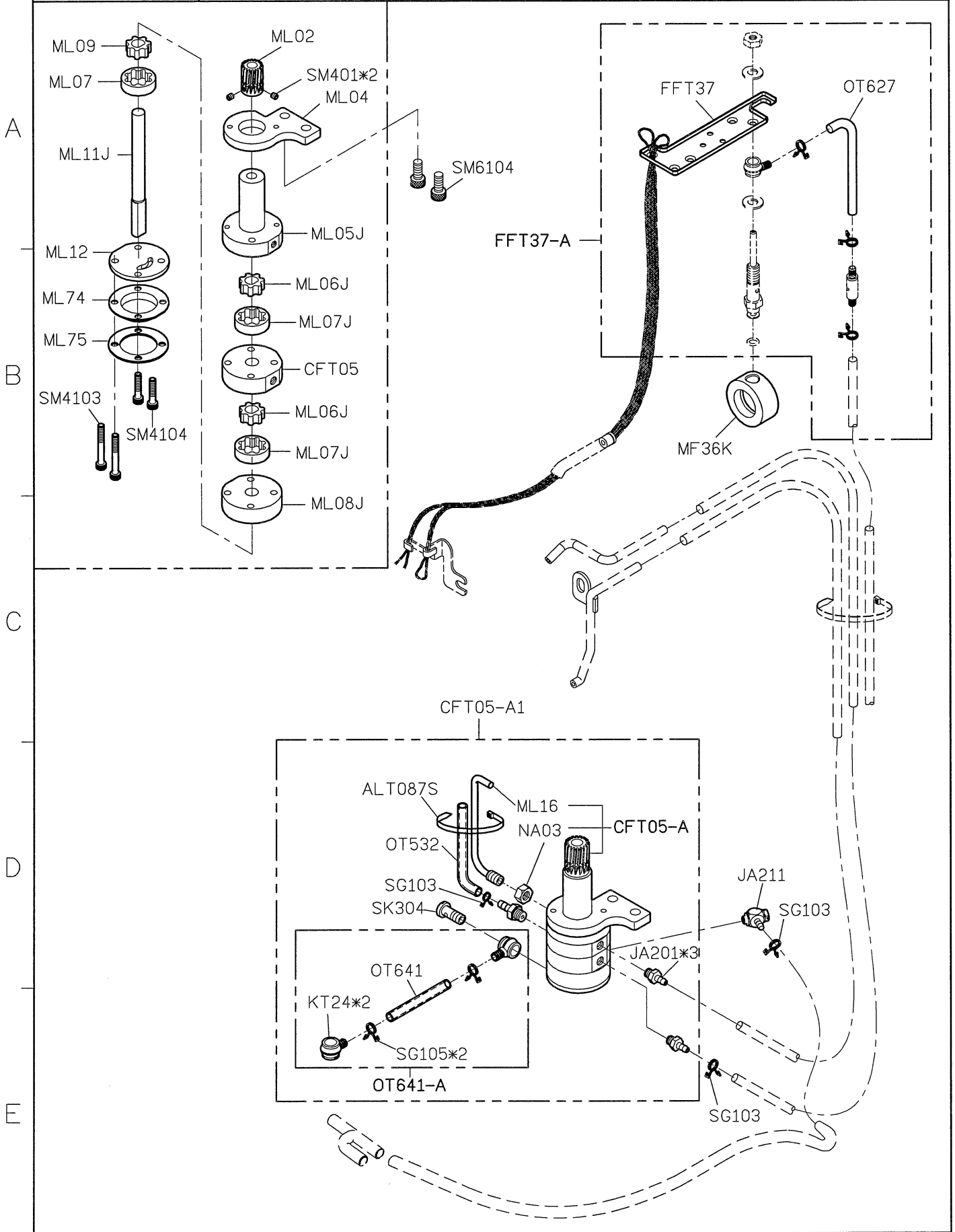
SIRUBA PARTS LIST	Series	Parts Group	Subclass / Remark	Page
	C007KD	FFT		2/7
				Date
				2013/08/16



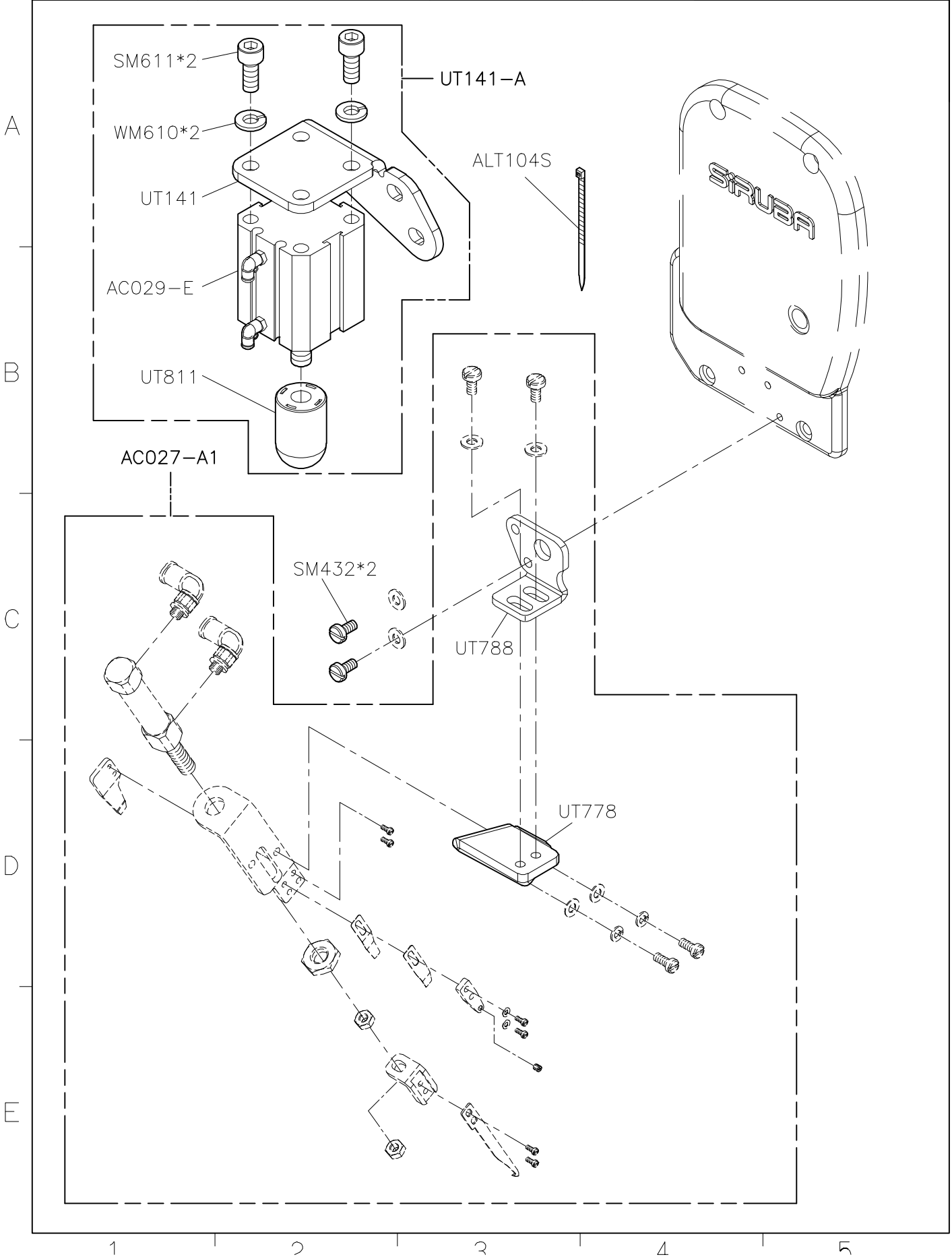
SIRUBA PARTS LIST	Series	Parts Group	Subclass / Remark	Page
	C007KD	FFT		3/7
				Date
				2012/12/25



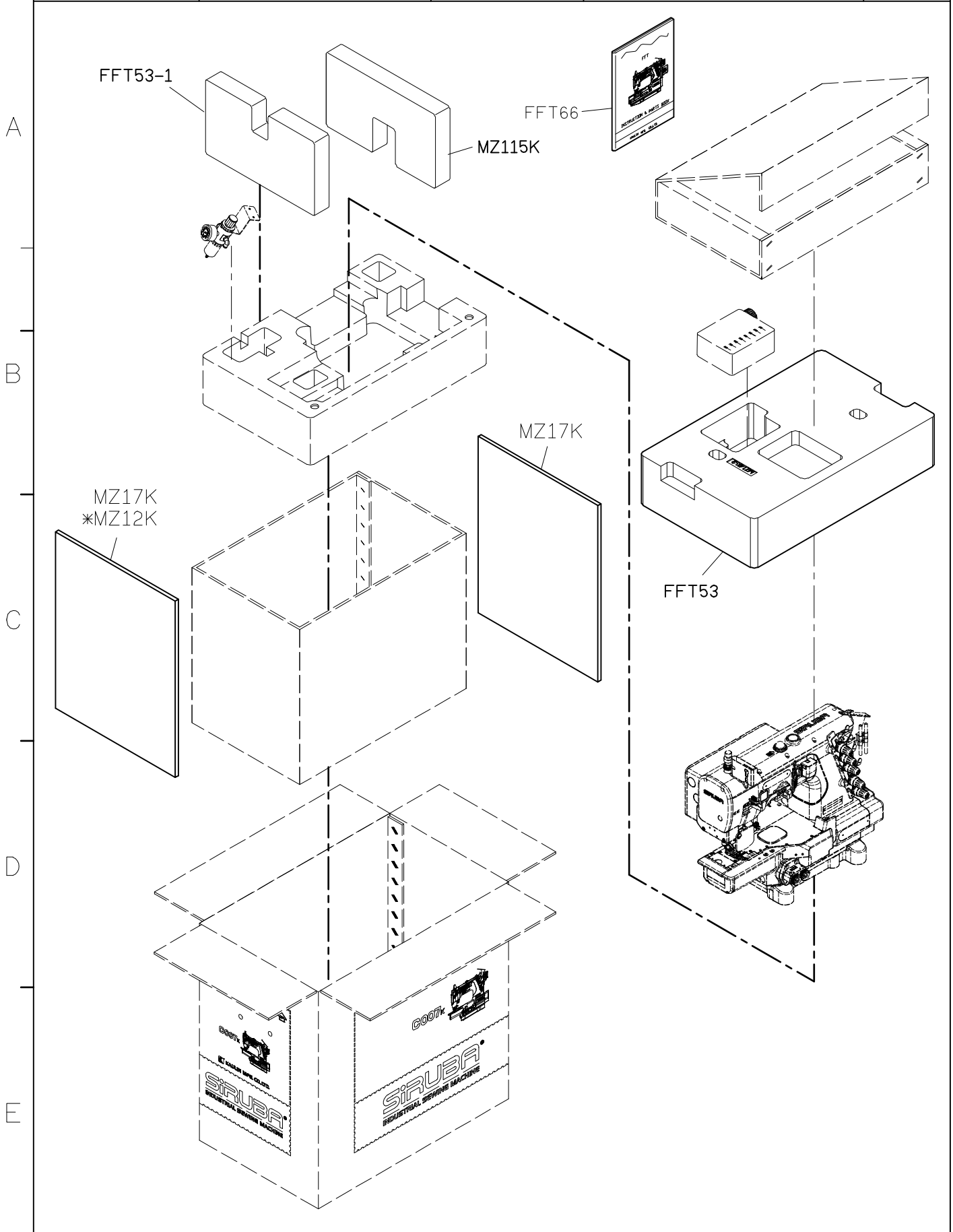
SIRUBA PARTS LIST	Series	Parts Group	Subclass / Remark	Page
	C007KD	FFT		5/7
				Date
				2015/11/24



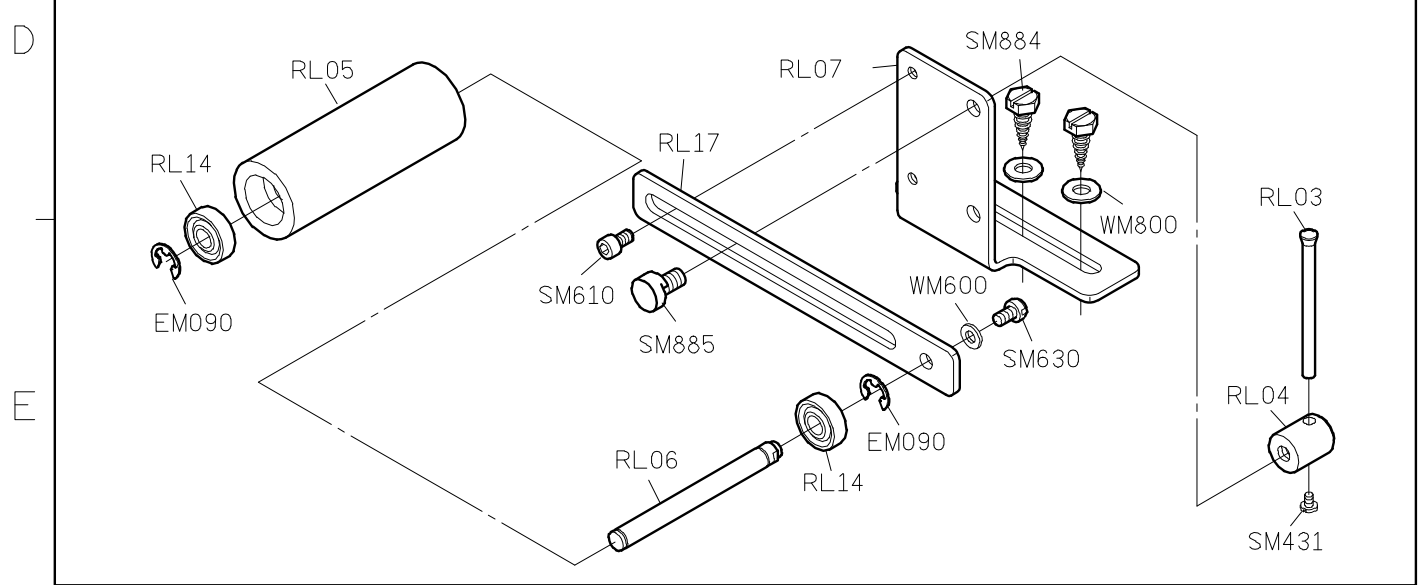
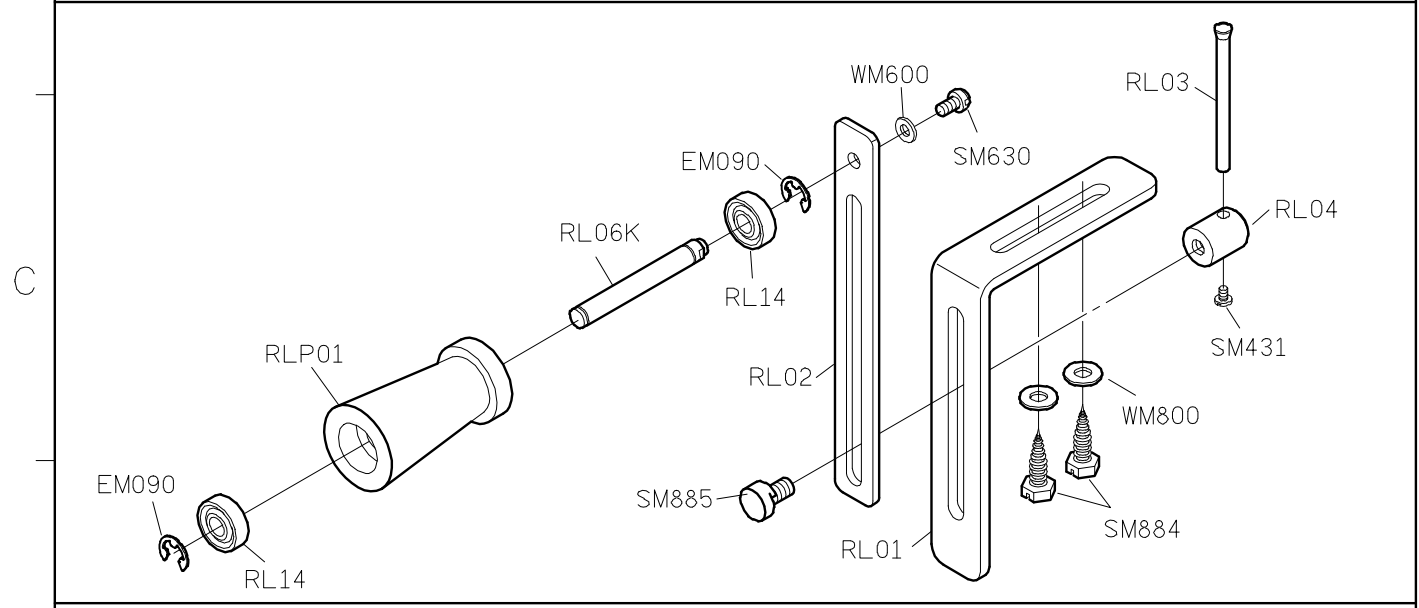
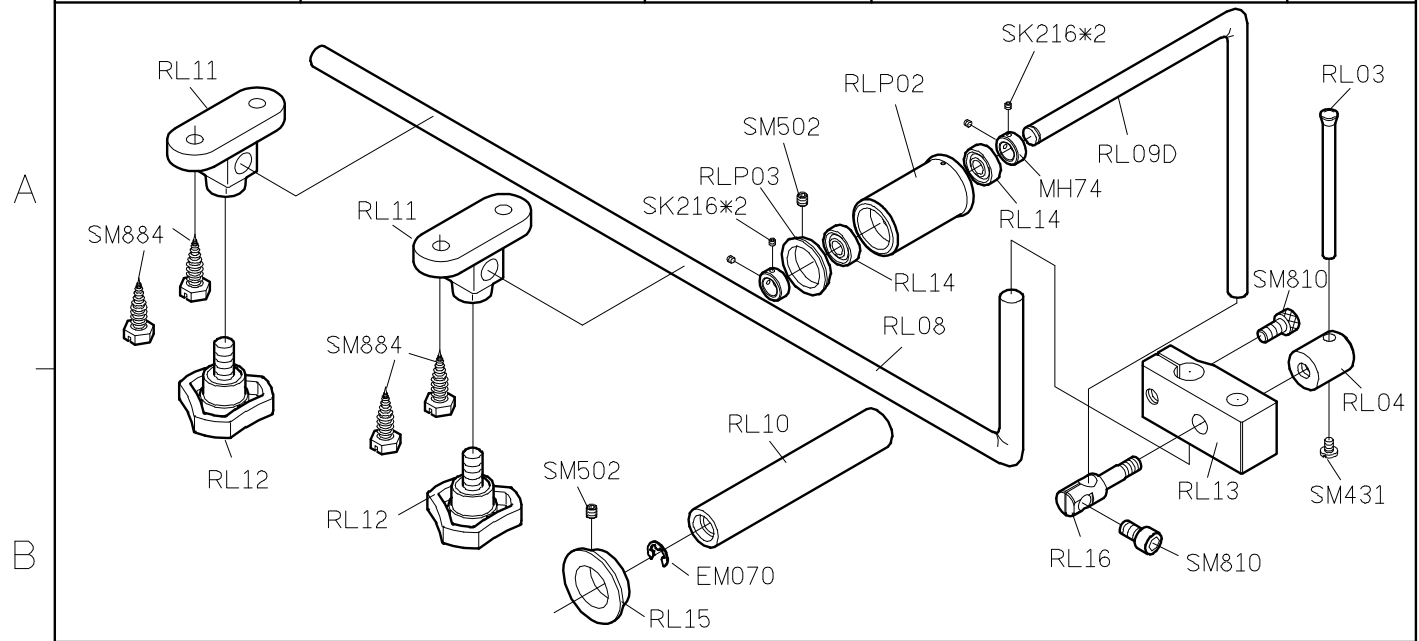
SIRUBA PARTS LIST	Series	Parts Group	Subclass / Remark	Page
	C007KD	FFT	Use for UT	6/7
				Date
				2014/03/10



SIRUBA PARTS LIST	Series	Parts Group	Subclass / Remark	Page
	C007KD	FFT	* Use for UT	7/7
				Date
				2012/12/25



SIRUBA PARTS LIST	Series	Parts Group	Subclass / Remark	Page
	C007K/C007KD	RLP		1/1
	C858K/C858KD		Date	
			2013/01/09	



SIRUBA

PARTS LIST

Series

**C007K/C007KD
C858K/C858KD**

Parts Group

UTP(UTQ)-K

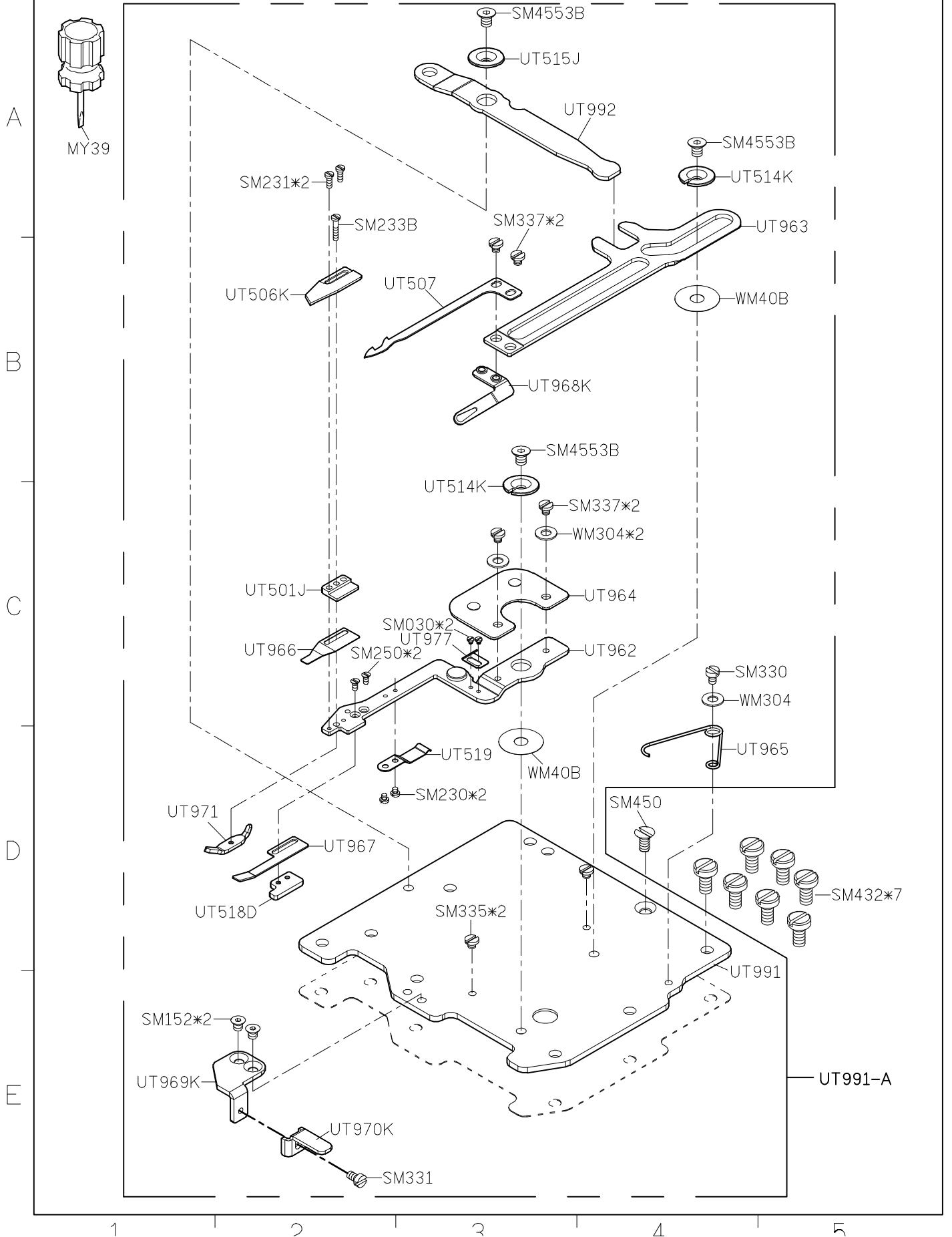
Subclass / Remark

Page

1/12

Date

2015/01/08



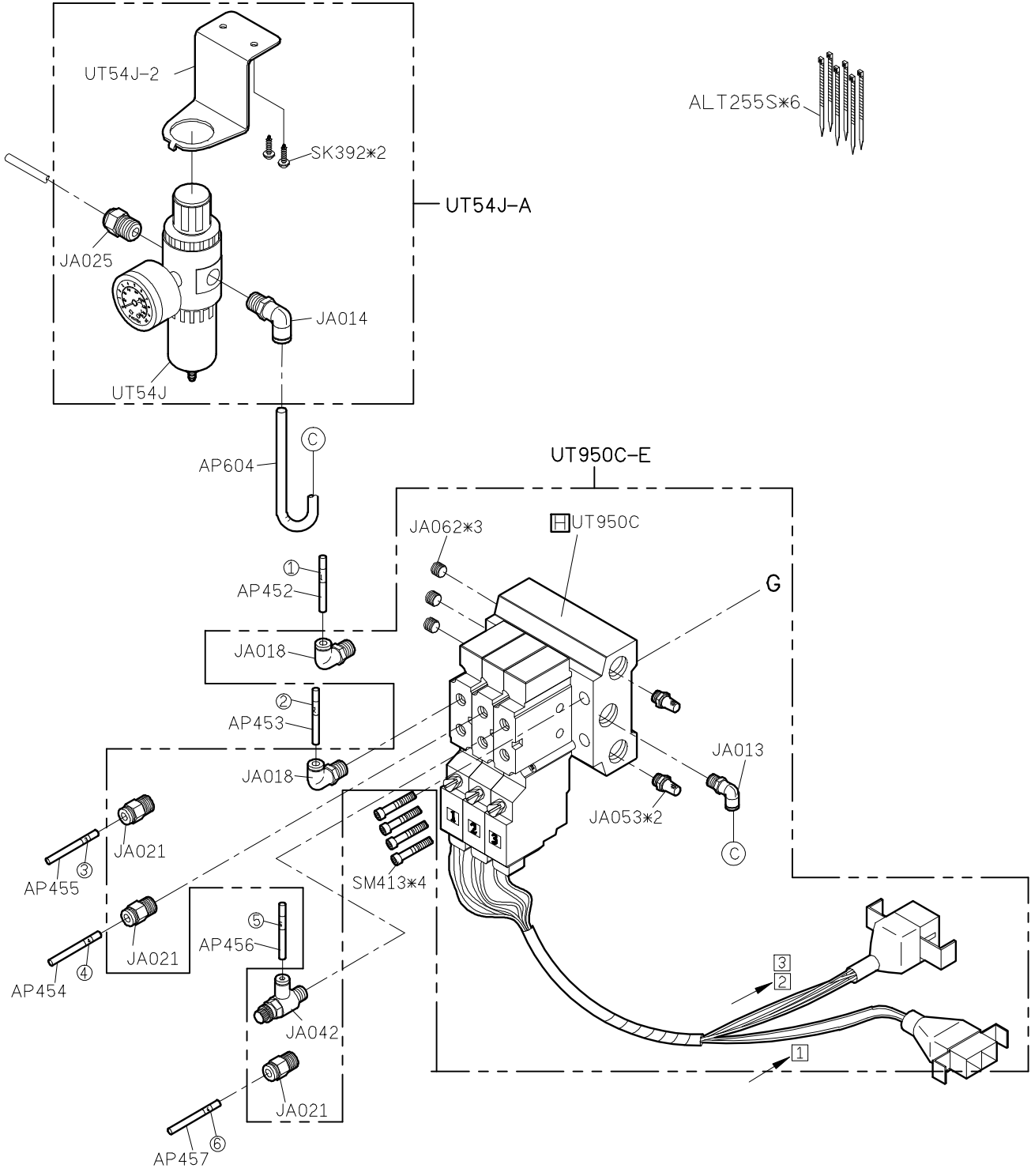
A

B

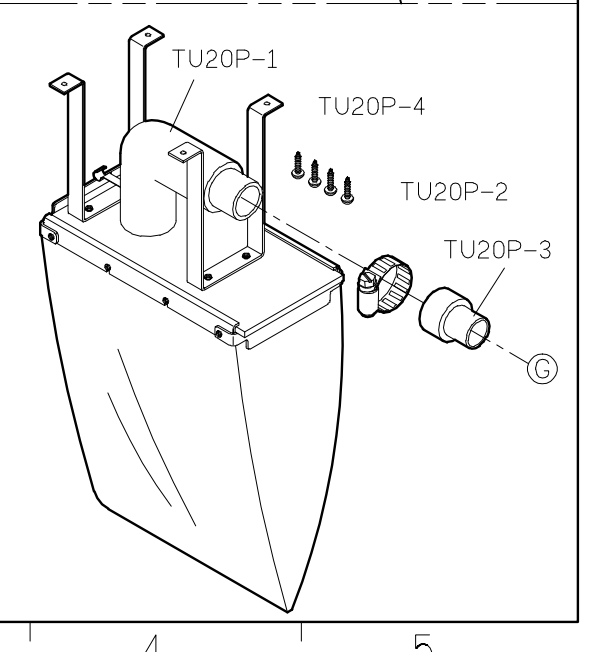
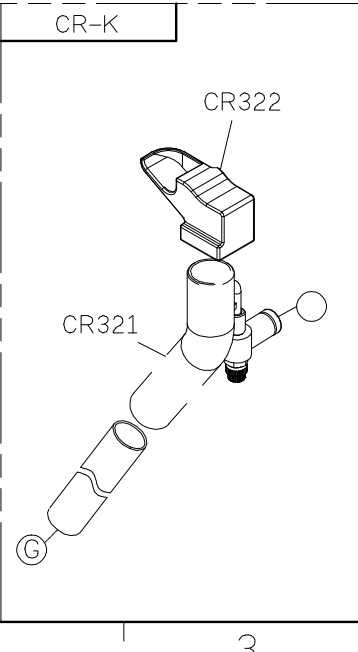
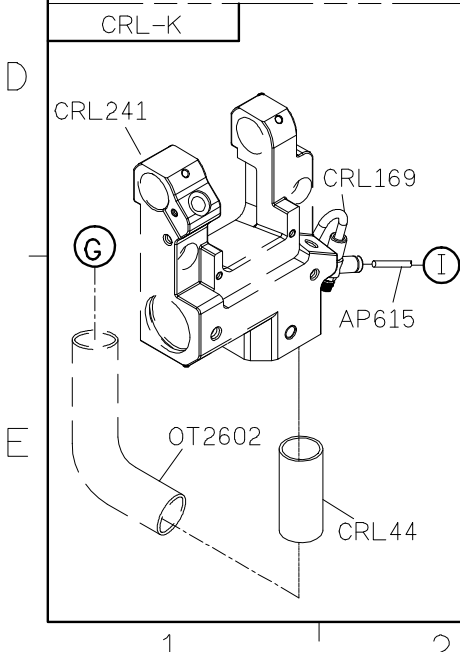
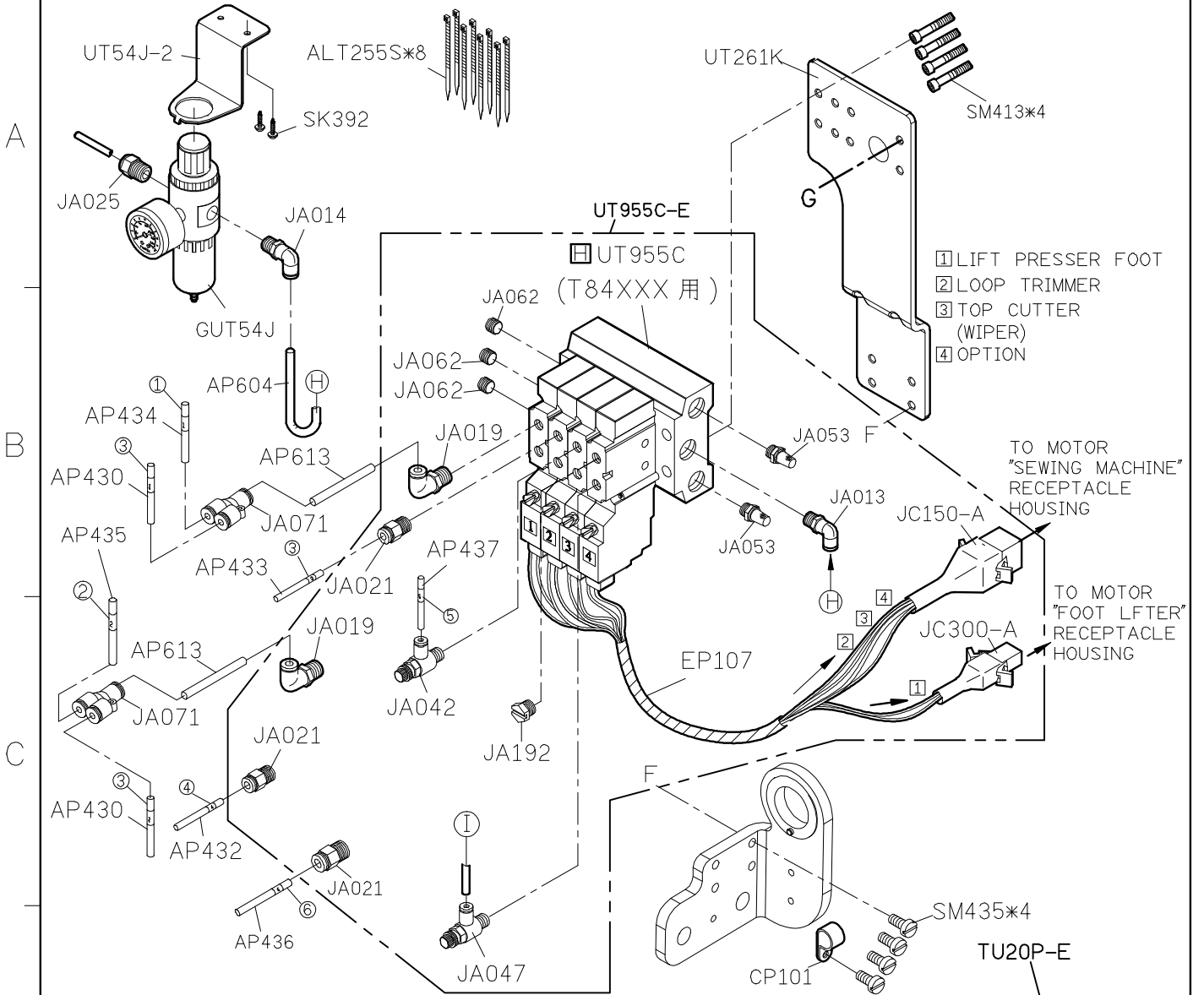
C

D

E



- ① LIFT PRESSER FOOT
- ② LOOP TRIMMER
- ③ TOP CUTTER (WIPER)



SIRUBA PARTS LIST	Series	Parts Group	Subclass / Remark	Page
	C007K/C007KD C858K/C858KD	UTP(UTQ)-K	For C007K/C858K	5/12
				Date
				2013/08/06

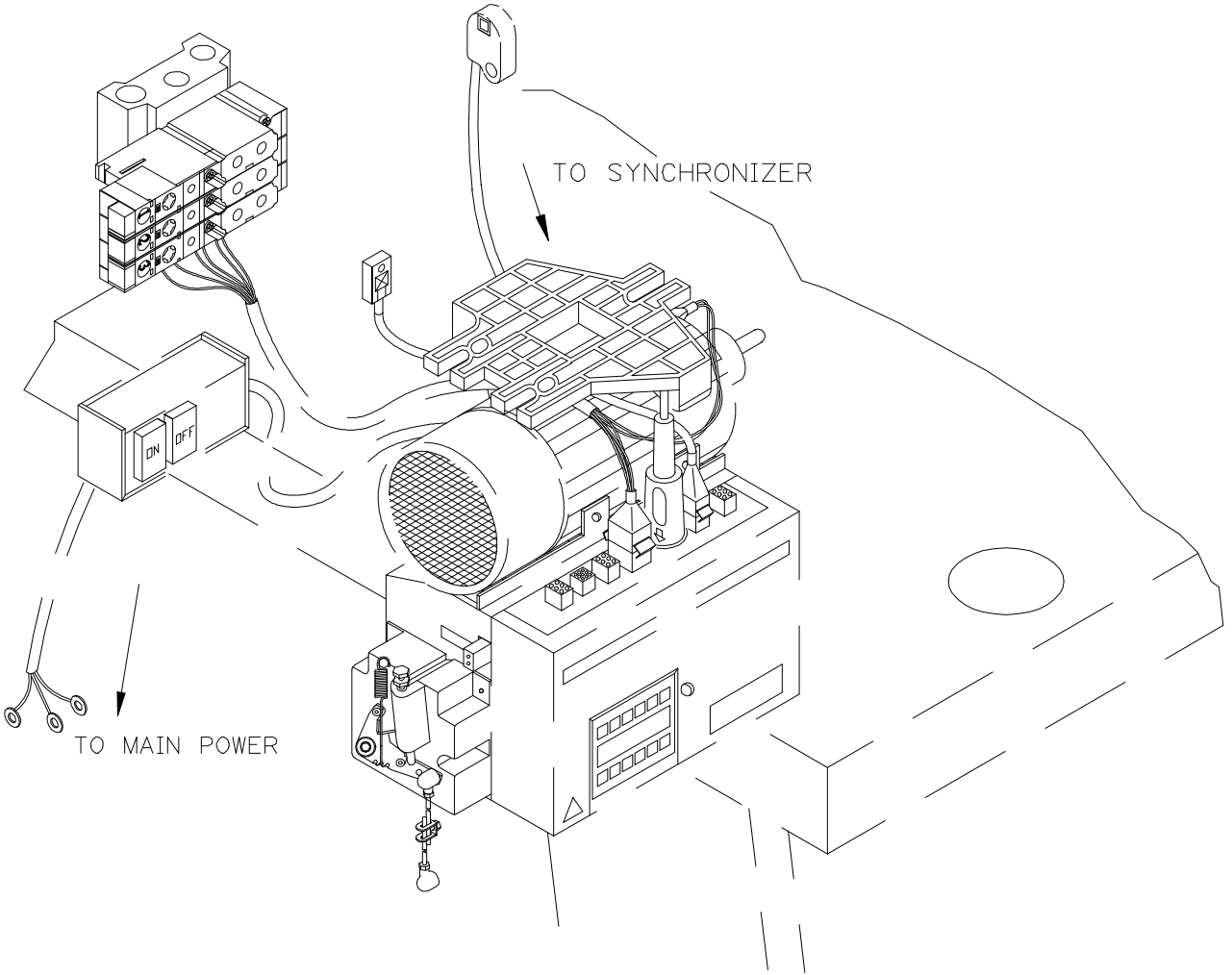
A

B

C

D

E



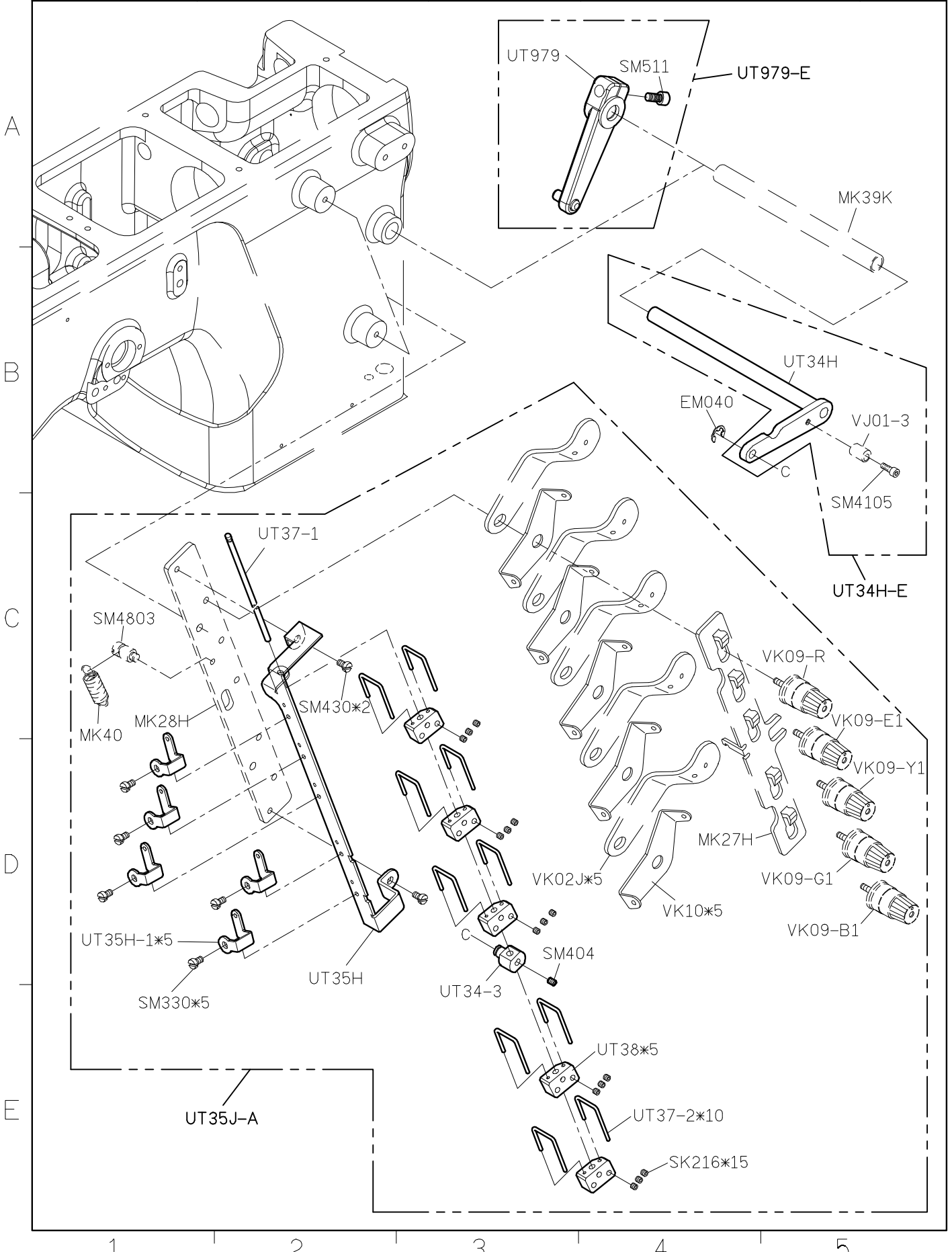
1

2

3

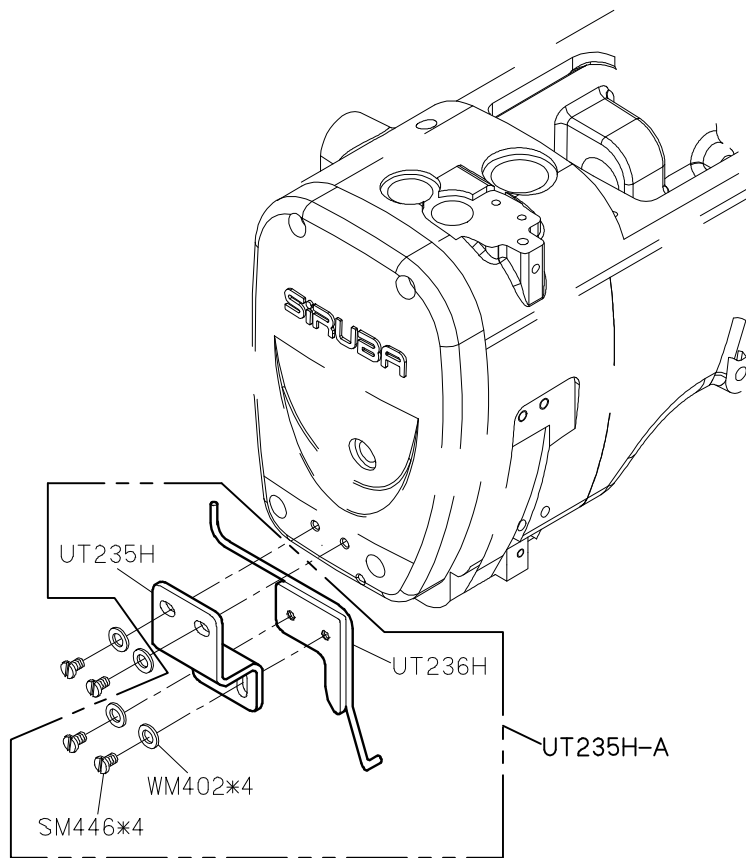
4

5

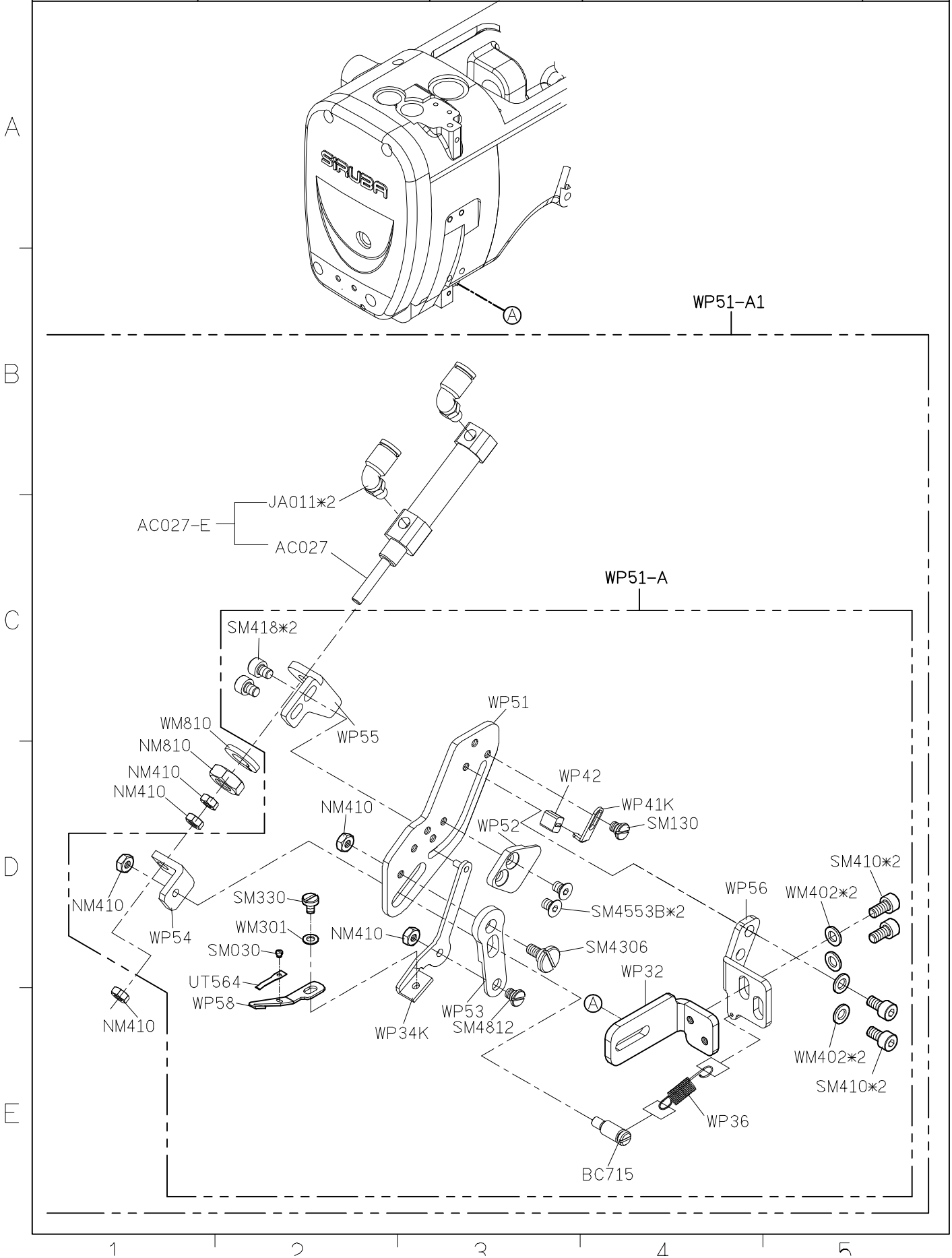


SIRUBA PARTS LIST	Series	Parts Group	Subclass / Remark	Page
	C007K/C007KD	UTQ-K		7/12
	C858K/C858KD			Date
				2013/08/08

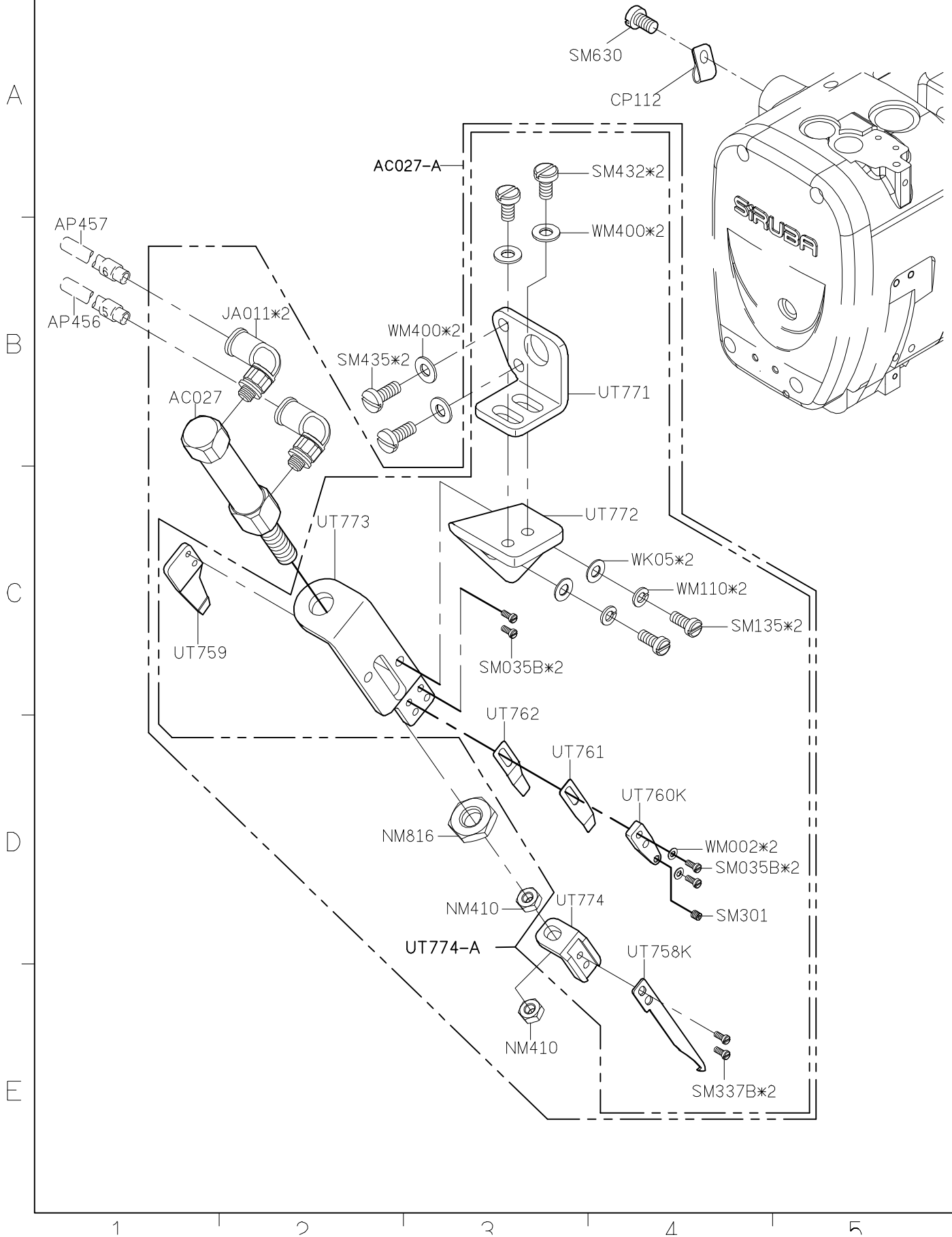
FOR LEFT SIDE



SIRUBA PARTS LIST	Series	Parts Group	Subclass / Remark	Page
	C007K/C007KD	UTQ-K1	For allocation	8/12
	C858K/C858KD			Date
	2015/01/05			

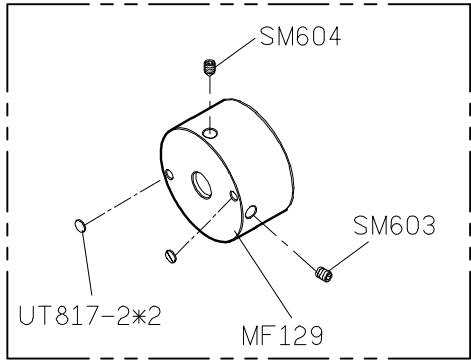


SIRUBA PARTS LIST	Series	Parts Group	Subclass / Remark	Page
	C007K/C007KD	UTP-K		9/12
	C858K/C858KD			Date
				2015/01/05



SIRUBA PARTS LIST	Series	Parts Group	Subclass / Remark	Page
	C007K/C007KD C858K/C858KD	UTP(UTQ)-K	For C007K/C858K ☐ : Use for H brand motor	10/12
				Date
				2013/08/08

A



UT818J-A

☐ UT815

SM4054

UT816

B

C

TO SYNCHRONIZER

D

TO MAIN POWER

E

TXXXXX

T999

1

2

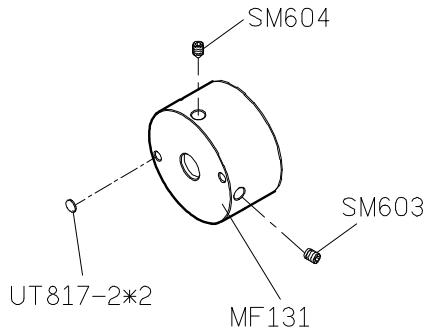
3

4

5

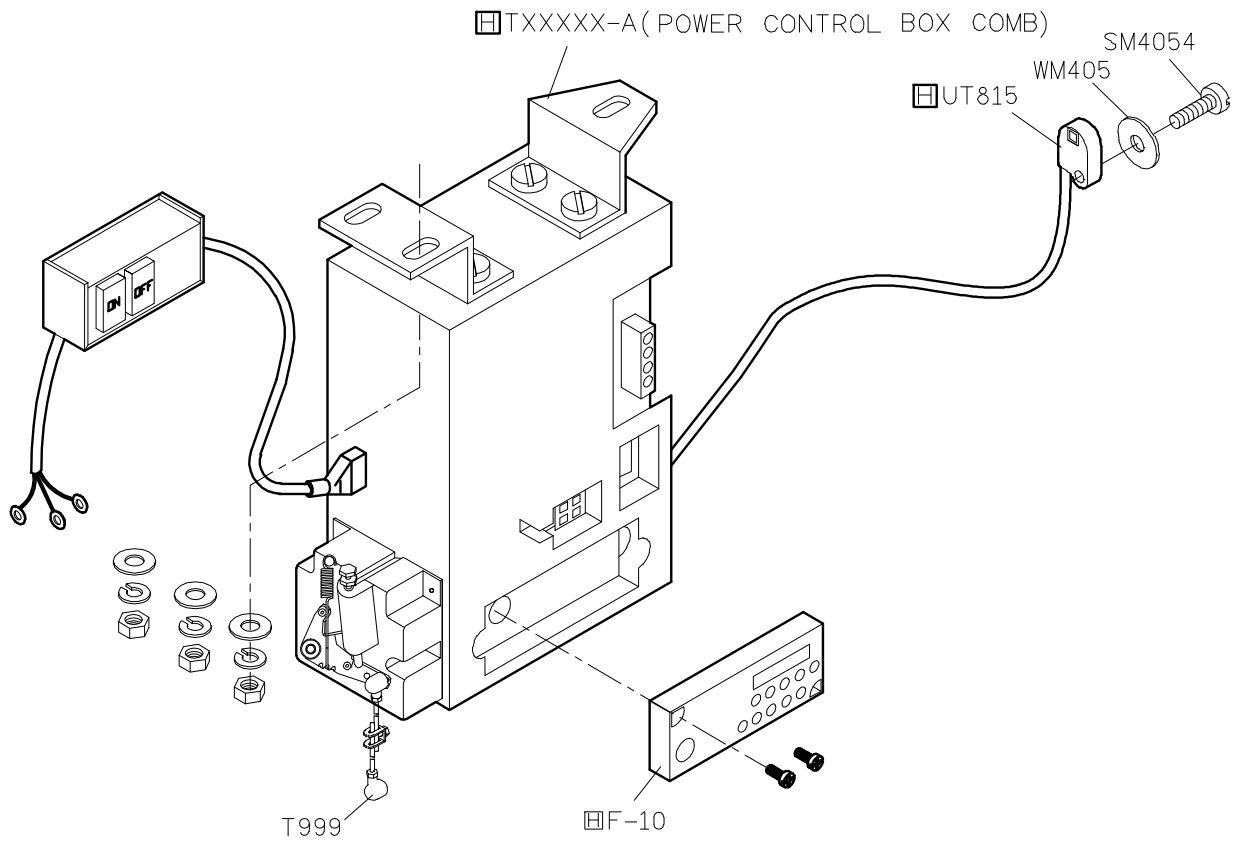
SIRUBA PARTS LIST	Series	Parts Group	Subclass / Remark	Page
	C007K/C007KD C858K/C858KD	UTP(UTQ)-K	For C007KD/C858KD ☐ : Use for H brand motor	11/12
				Date
				2013/08/06

A



B

C



D

E

1

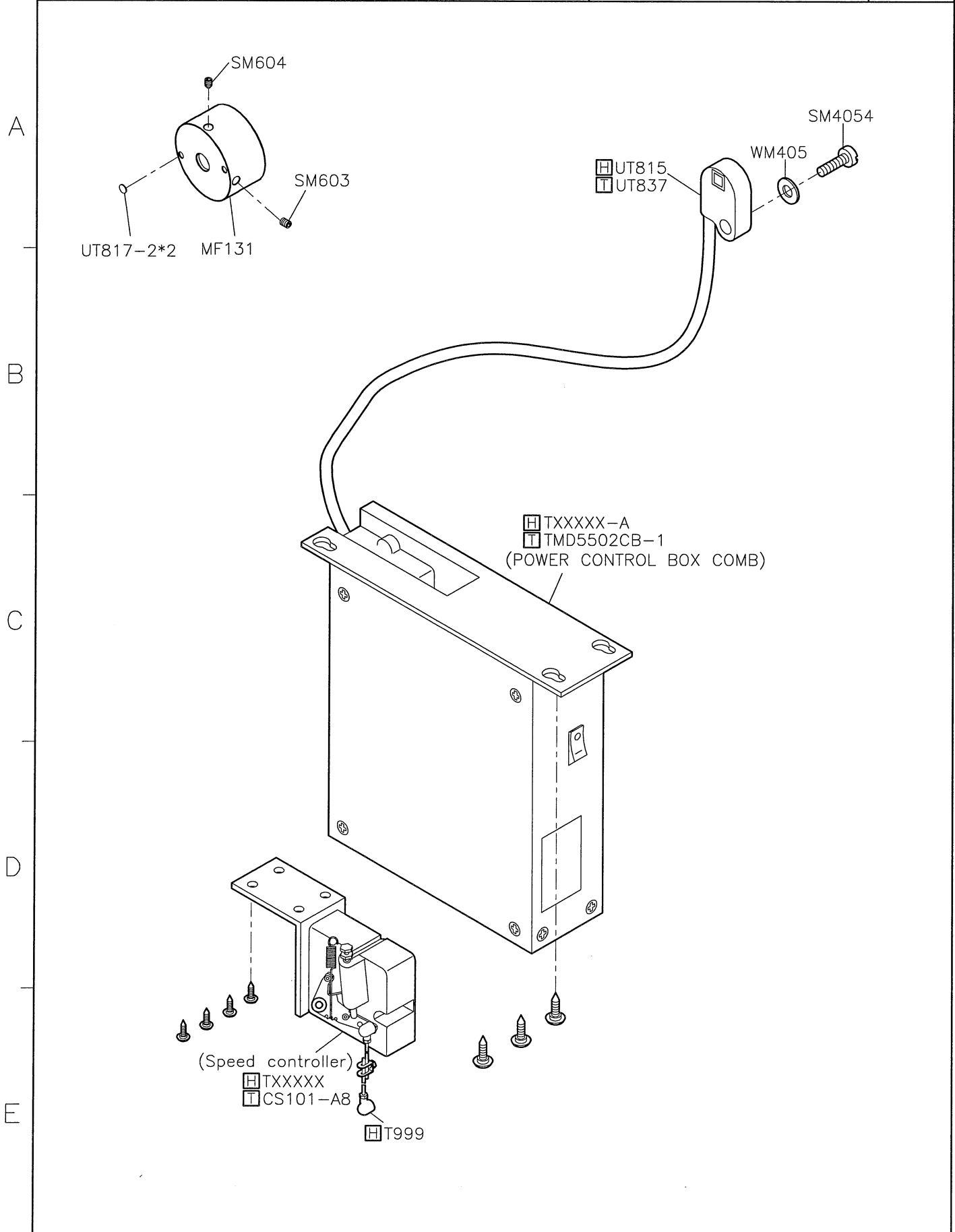
2

3

4

5

SIRUBA PARTS LIST	Series	Parts Group	Subclass / Remark	Page
	C007K/C007KD C858K/C858KD	UTP(UTQ)-K	For C007KD/C858KD <input type="checkbox"/> T : Use for T brand motor <input type="checkbox"/> H : Use for H brand motor (HVP-70)	12/12
				Date 2015/10/26



SIRUBA

PARTS LIST

Series

**C007K/C007KD
C858K/C858KD**

Parts Group

UTR(UTS)-K

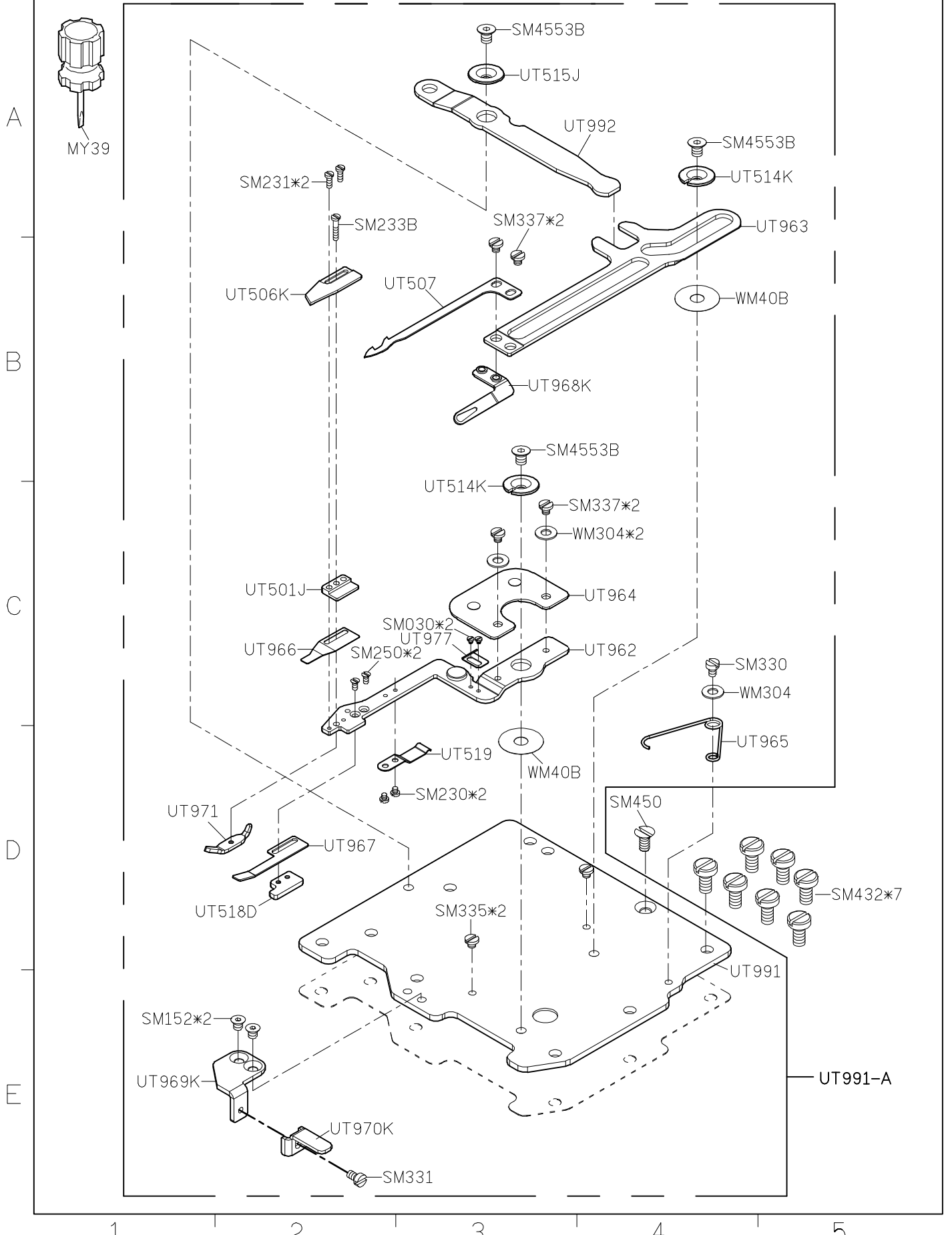
Subclass / Remark

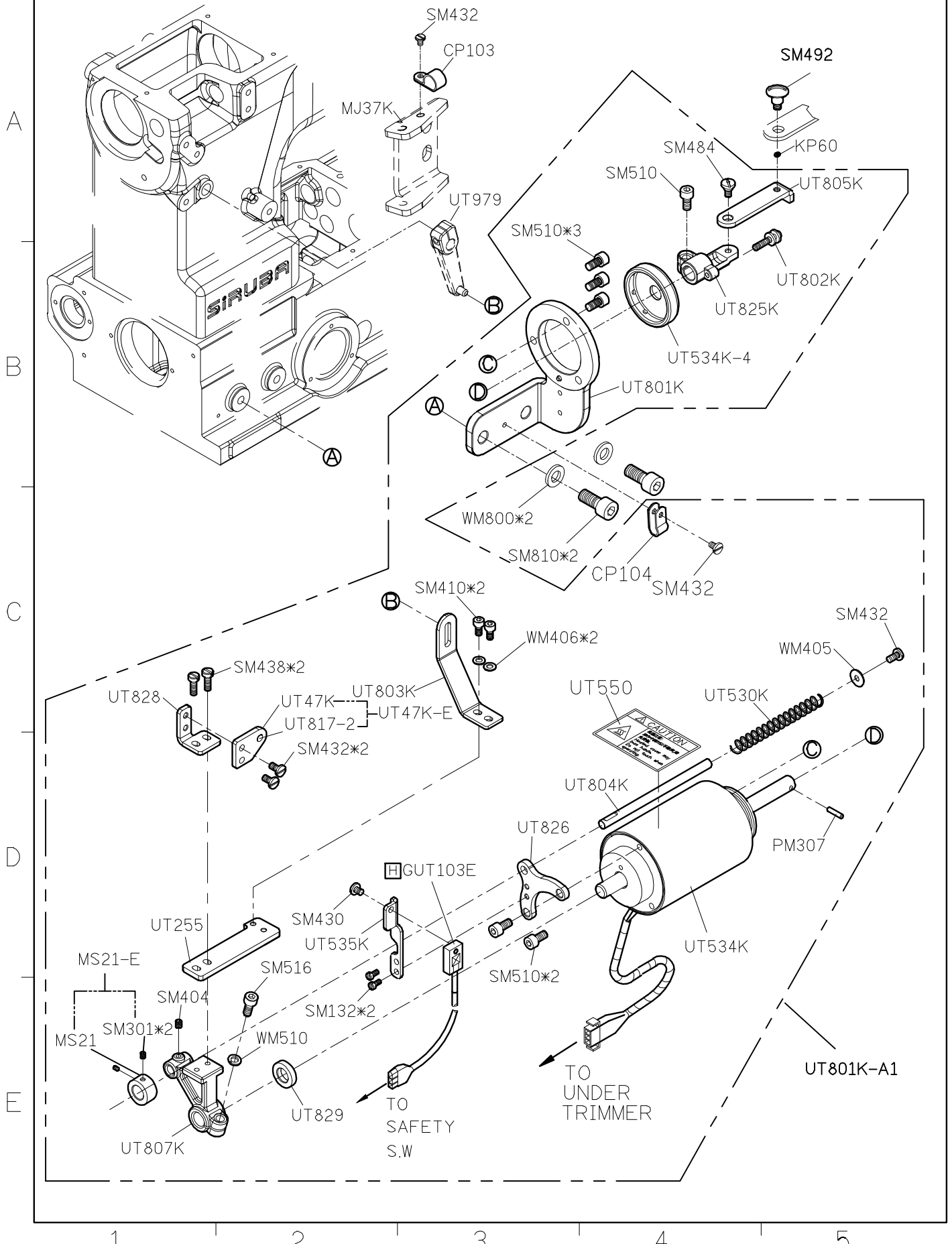
Page

1/12

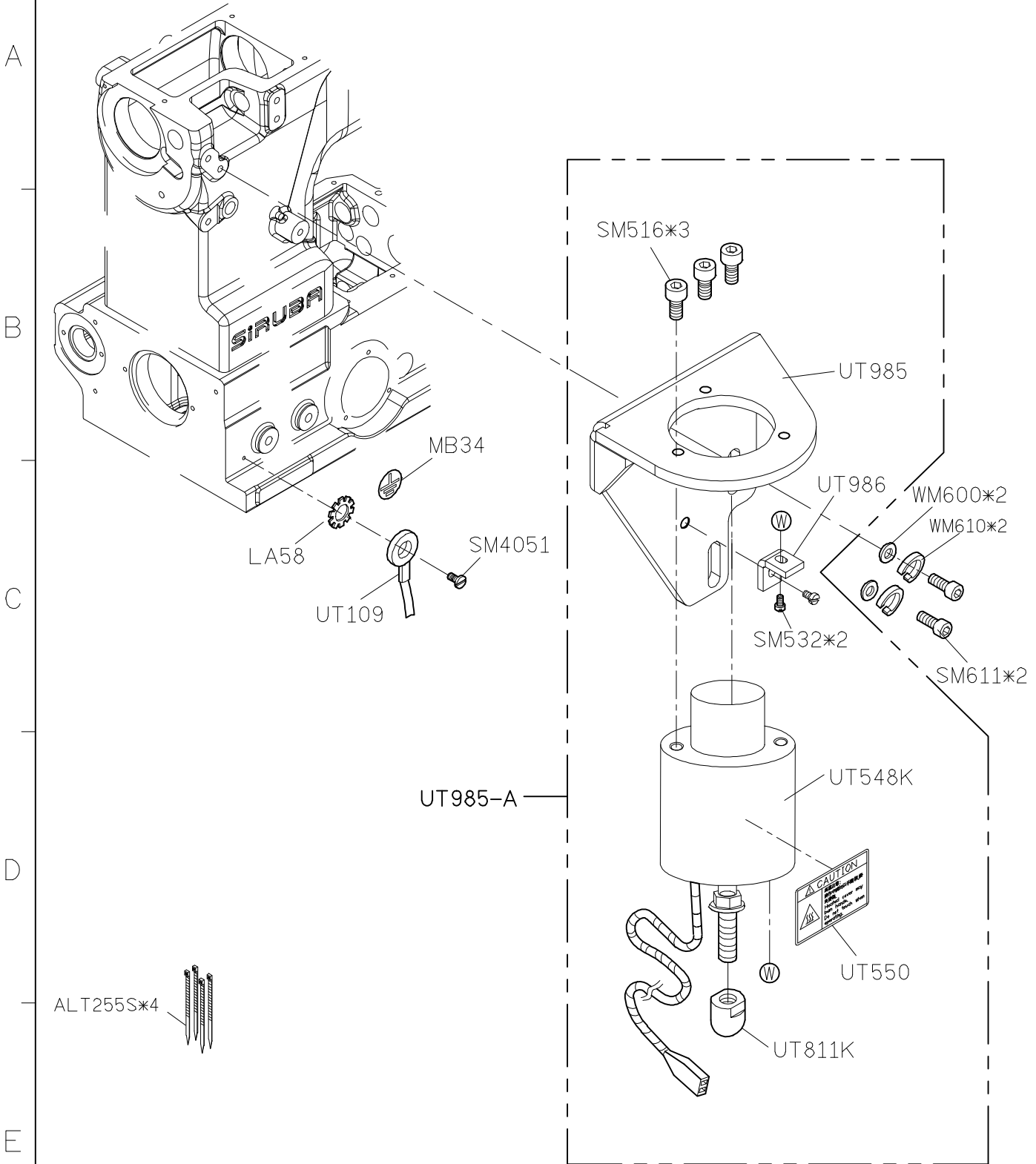
Date

2015/01/08





SIRUBA PARTS LIST	Series	Parts Group	Subclass / Remark	Page
	C007K/C007KD	UTR(UTS)-K		3/12
	C858K/C858KD			Date
				2014/05/19



1

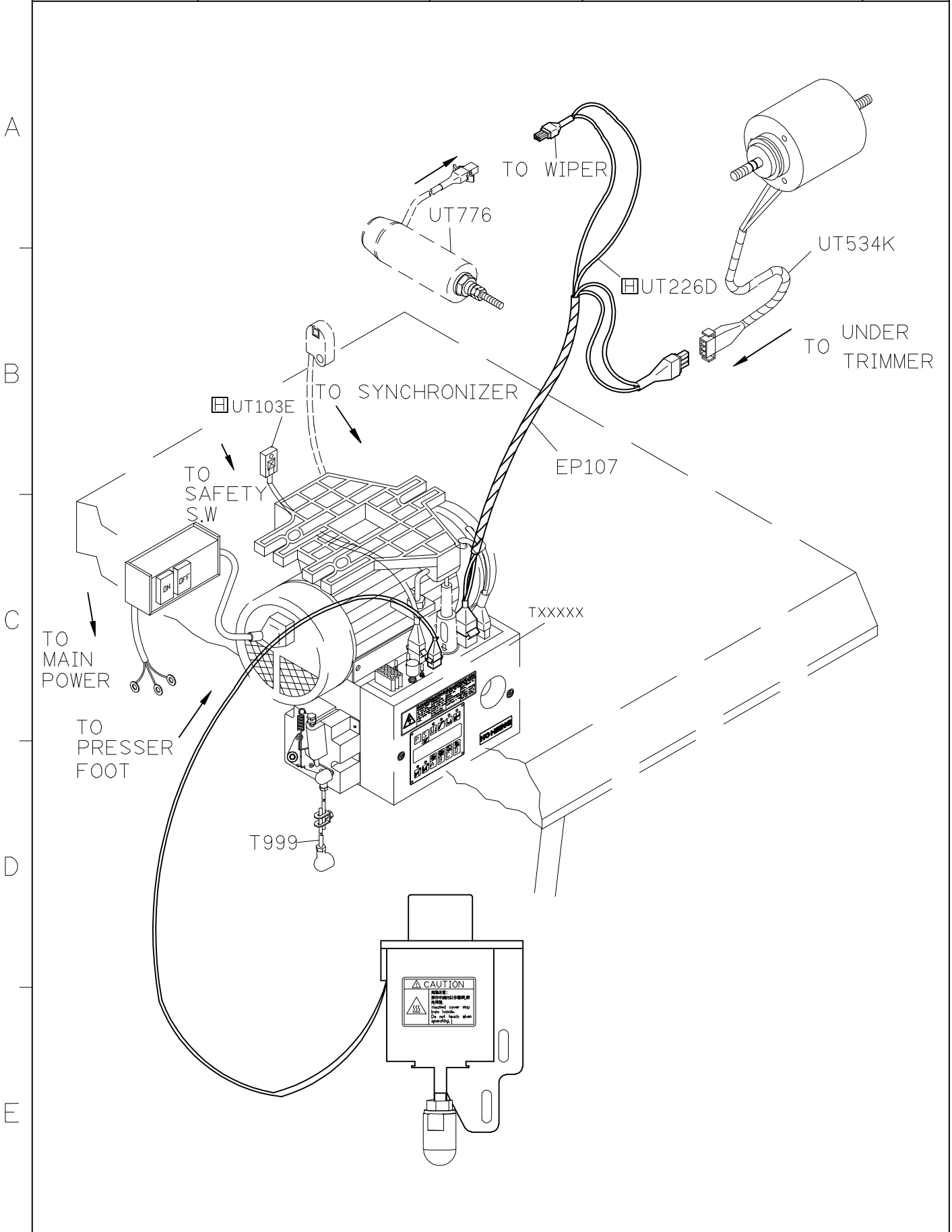
2

3

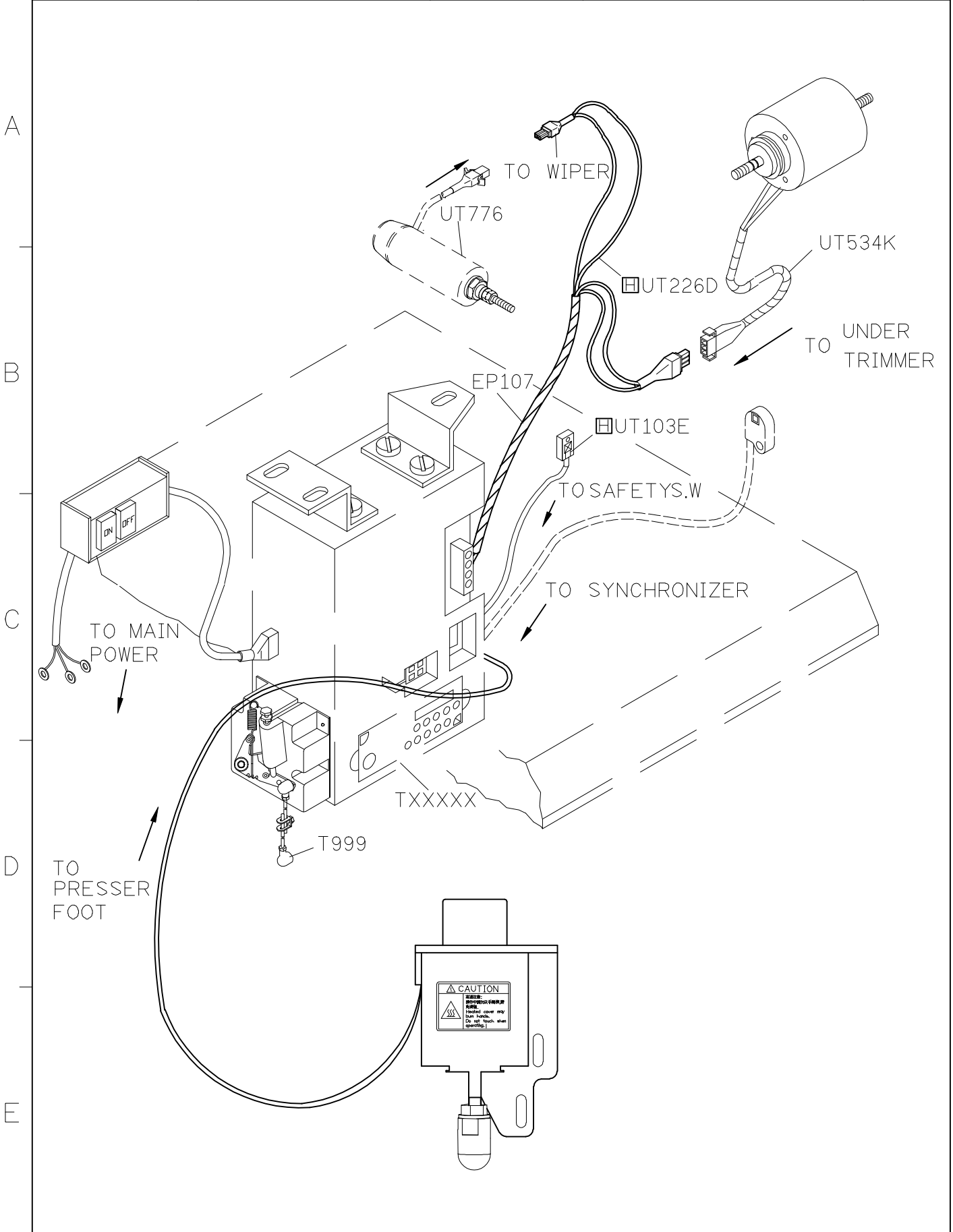
4

5

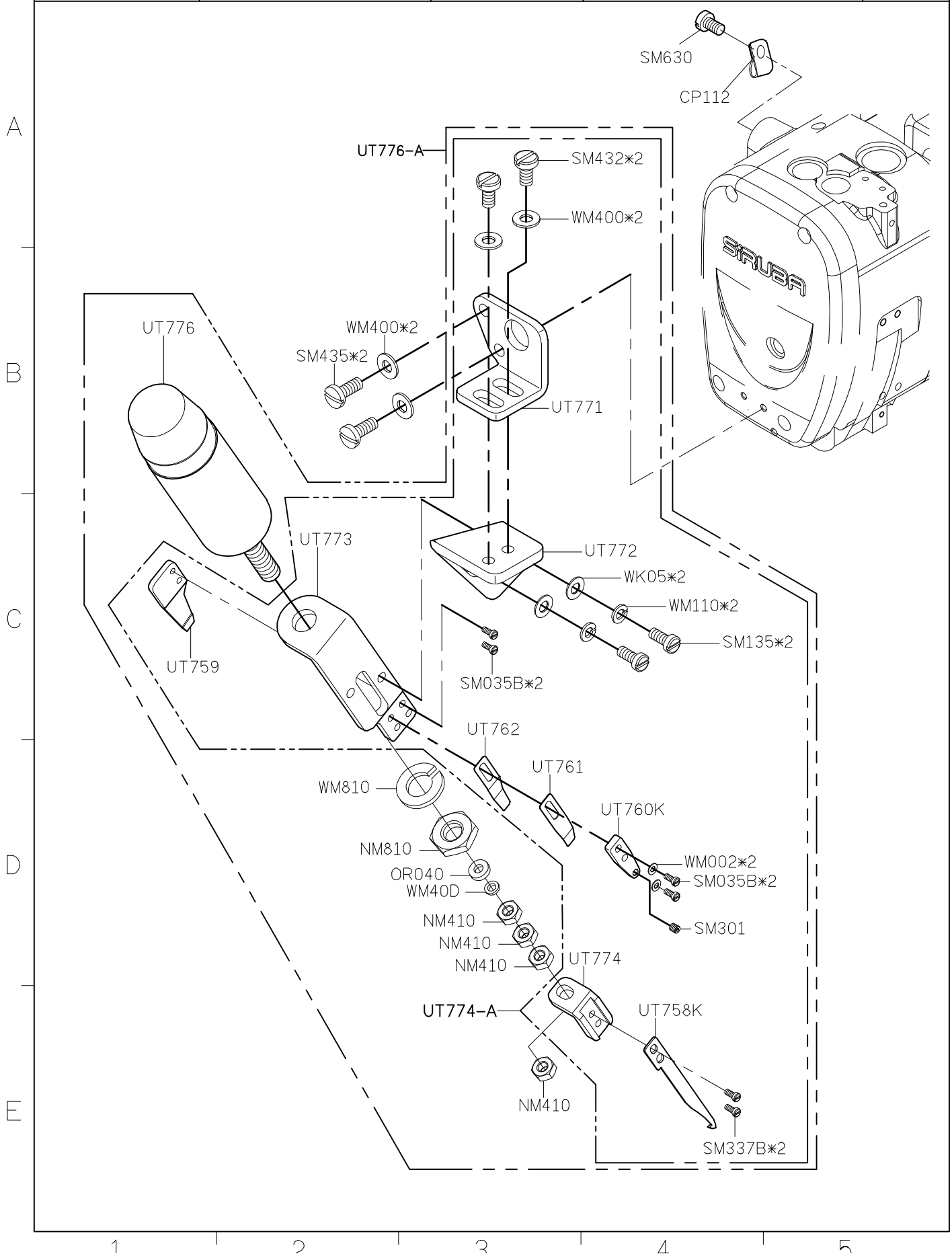
SIRUBA PARTS LIST	Series	Parts Group	Subclass / Remark	Page
	C007K/C007KD	UTR(UTS)-K	For C007K/C858K ☐ : Use for H brand motor	4/12
	C858K/C858KD			Date
				2015/01/05



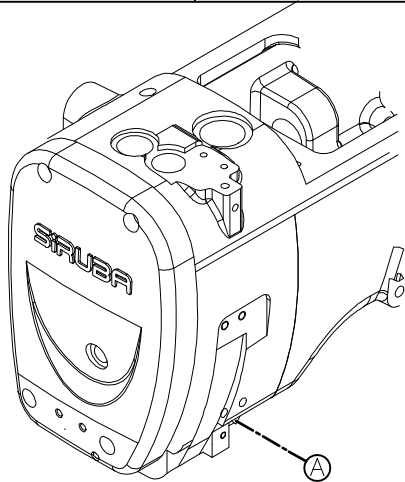
SIRUBA PARTS LIST	Series	Parts Group	Subclass / Remark	Page
	C007K/C007KD	UTR(UTS)-K	For C007KD/C858KD	6/12
	C858K/C858KD		☐ : Use for H brand motor (HVP-20)	Date
				2015/01/05



SIRUBA PARTS LIST	Series	Parts Group	Subclass / Remark	Page
	C007K/C007KD	UTR-K		7/12
	C858K/C858KD			Date
	2015/01/06			



SIRUBA PARTS LIST	Series	Parts Group	Subclass / Remark	Page
	C007K/C007KD	UTS-K		8/12
	C858K/C858KD			Date
				2015/01/05



WP51-A2

UT776

WP51-A

SM418*2

WP55

WP51

WP42

WP41K

SM130

WM810

NM810

OR040

WM40D

NM410

NM410

WP52

NM410

D

SM330

WM301

SM030

NM410

SM4553B*2

SM4306

WP56

WM402*2

SM410*2

SM410*2

SM410*2

SM410*2

SM410*2

SM410*2

SM410*2

SM410*2

SM410*2

SM410*2

SM410*2

SM410*2

SM410*2

SM410*2

SM410*2

WP54

UT564

WP58

NM410

WP34K

WP53

SM4831

WP32

BC715

WP36

1

2

3

4

5

A

B

C

D

E

SIRUBA

PARTS LIST

Series

**C007K/C007KD
C858K/C858KD**

Parts Group

UTR(UTS)-K

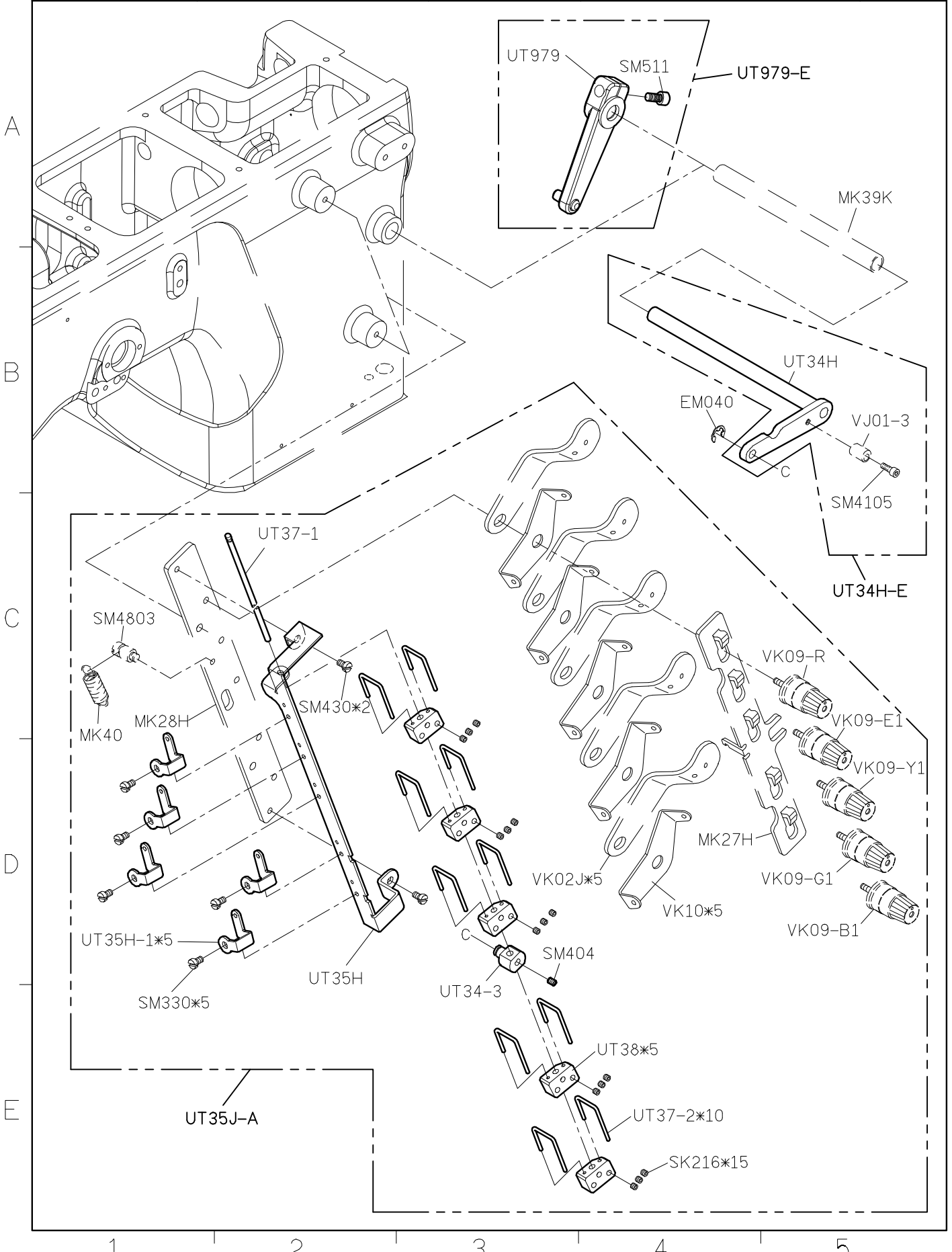
Subclass / Remark

Page

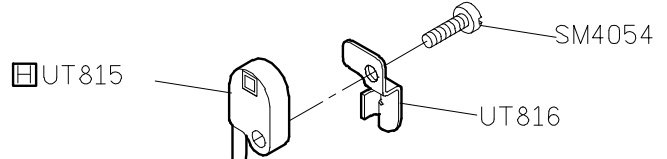
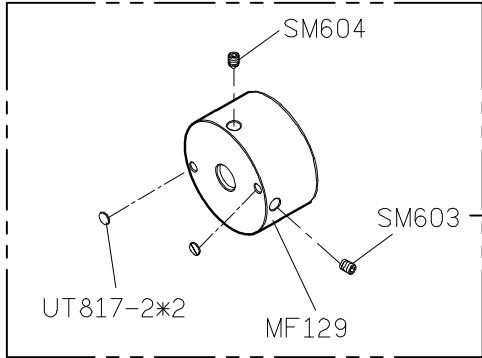
9/12

Date

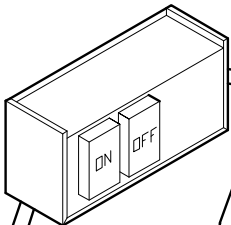
2013/10/16



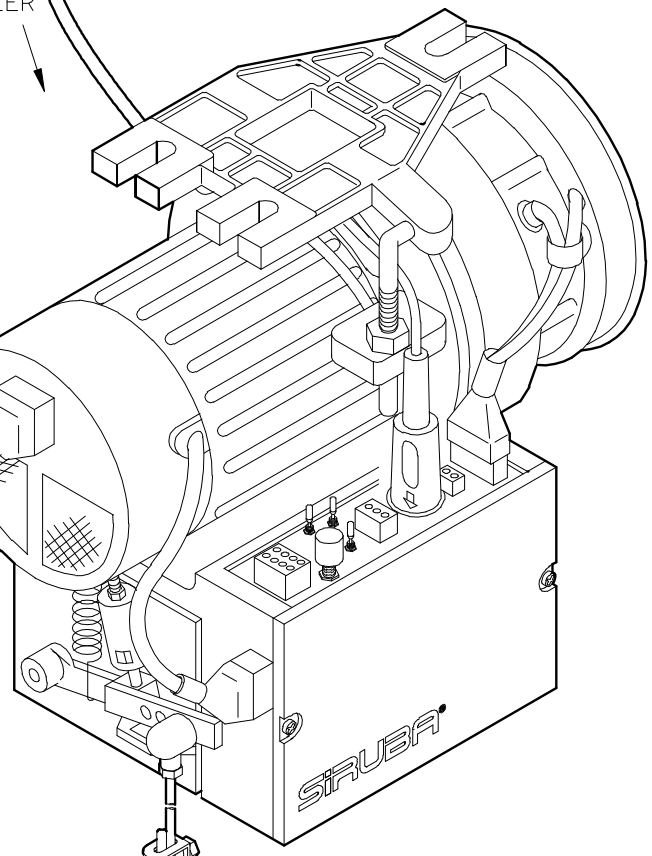
SIRUBA PARTS LIST	Series	Parts Group	Subclass / Remark	Page
	C007K/C007KD C858K/C858KD	UTR(UTS)-K	For C007K/C858K ☐ : Use for H brand motor	10/12
				Date 2012/11/01



TO SYNCHRONIZER



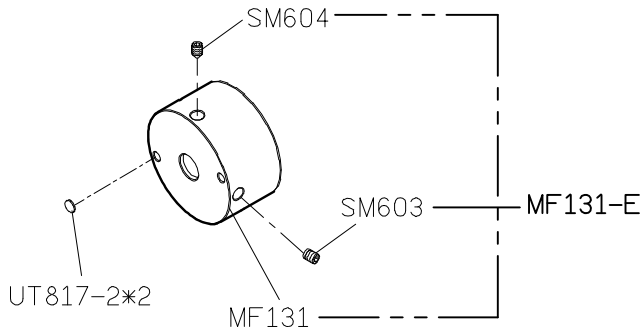
TO MAIN POWER



T999

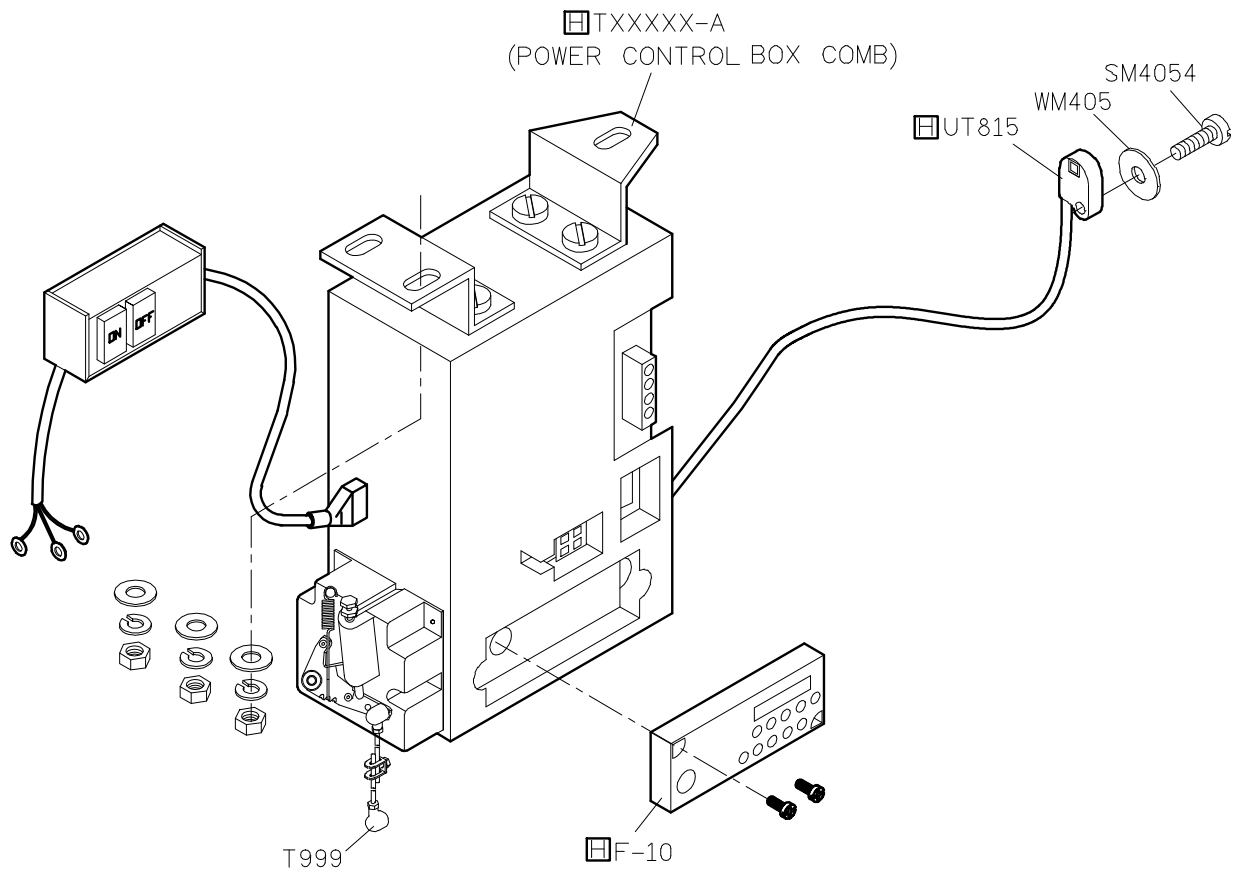
SIRUBA PARTS LIST	Series	Parts Group	Subclass / Remark	Page
	C007K/C007KD C858K/C858KD	UTR(UTS)-K	For C007KD/C858KD	11/12
			☐ : Use for H brand motor (HVP-20)	Date
				2012/11/01

A



B

C



D

E

SIRUBA PARTS LIST	Series	Parts Group	Subclass / Remark	Page
	C007K/C007KD	UTR(UTS)-K	For C007KD/C858KD	12/12
	C858K/C858KD		☐T : Use for T brand motor	Date
			☐H : Use for H brand motor	2015/10/26
	(HVP-70)			

