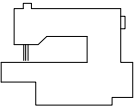
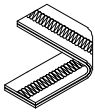
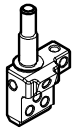
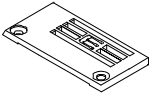
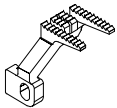
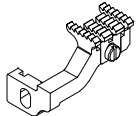
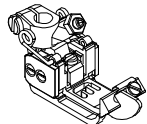

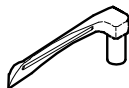

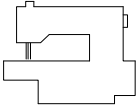
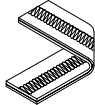
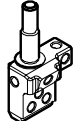
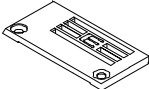
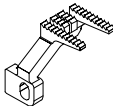
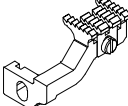
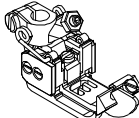
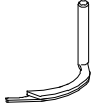


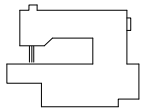
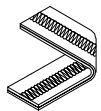
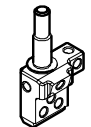
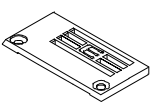
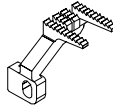
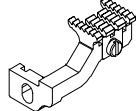
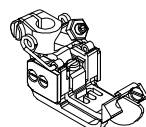
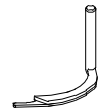
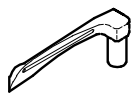

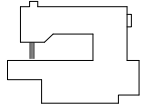
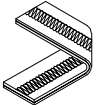
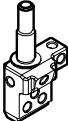
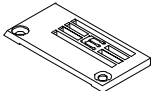
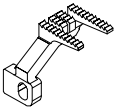
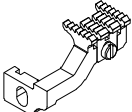
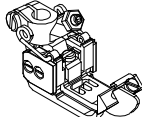



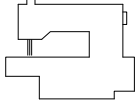
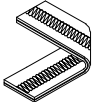
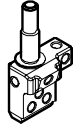
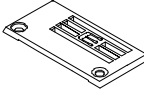
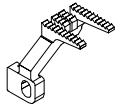
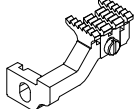
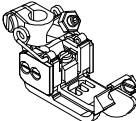
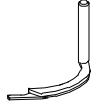




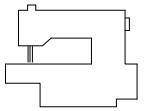
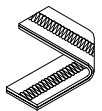
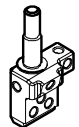
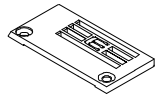
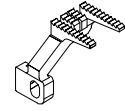
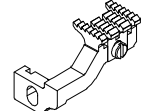
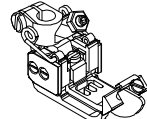
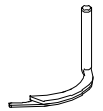


SIRUBA GAGE PARTS LIST	Series			Remark						Page	Date
	C007KP									1 / 6	2021/12/16
											
MODEL	SUB-CLASS	NEEDLE CLAMP	NEEDLE PLATE	MAIN FEED DOG	DIFF. FEED DOG	PRESSER FOOT	SPREADER	LOOPER	NEEDLE		
機 型	規 格	針 座	針 板	主送具	差送具	押 具	上 叉	勾 針	針 號		
W121/CH	232 240 248 348	M5232 M5240 M5248 M5348KX	E5232KL E5240EL E5248EL E5348KL E5356EL E5364EL	D5356K	H5356KA-E	P5232A-A P2544-A P2545-A P5348A-A P2446-A P2447-A	MH41	MT01	UYX128GAS#9		
W122/CH	356 364	M5356 M5364	E5232KM E5240EM E5248EM E5348KM E5356EM E5364EM						UYX128GAS#10		
W122/CH-3M	356 364	M5356 M5364	E5356EM E5364EM	D5356K	H5356KA-E	P2456-A P2457-A	MH41	MT01	UYX128GAS#10		
W123/CH	232 240 248 348 356 364	M5232 M5240 M5248 M5348KX M5356 M5364	E5232KH E5240KH E5248KH E5348KH E5356KH E5364KH	D5356K	H5356KA-E	P5232A-A P2544-A P2545-A P5348A-A P2446-A P2447-A	MH41	MT01	UYX128GAS#10		
W152/CZ/UTP/RLQ	356 364	M5356 M5364	E5356GM E5364GM	D5356G	H5356L	P2416-A P2417-A	MH41	MT01	UYX128GAS#10		
W152/CZP/RLQ											
W162/CH	240 248 348 356 364	M5240 M5248 M5348KX M5356 M5364	E5240KHA E5248KHA E5348KHA E5356KHA E5364KHA	D5356K	H5356KA-E	P2544-A P2545-A P5348A-A P2446-A P2447-A	MH41	MT01A	TV*5#14~16		

SIRUBA MODEL COMPARE LIST		Series				Remark				Page	Date
		C007KP								2 / 6	2021/12/16
											
MODEL	SUB-CLASS	NEEDLE CLAMP	NEEDLE PLATE	MAIN FEED DOG	DIFF. FEED DOG	PRESSER FOOT	SPREADER	LOOPER	NEEDLE		
機 型	規 格	針 座	針 板	主 送 具	差 送 具	押 具	上 叉	勾 針	針 號		
W222/CQ	240 248 356 364	M5240 M5248 M5356 M5364	E5240GM E5248GM E5356GM E5364GM	D5356G	H5356GA	P1814K-A P1815K-A P2116K-A P2117K-A	MH41	MT01	UYX128GAS#10		
W222/CQA/CLA	256 356	M5356	E2326Q	D2110	H2220Q	P2906Q-A	MH41	MT01A	TVX5#14		
W322/CC	356 364	M5356	E5356AML E5364AML	D5356K	H5356AA	P2456-A P2457-A	MH41	MT01	UYX128GAS#10		
W322/CE		M5364	E5356BML E5364BML		H5356BA						
W522/CR	232 240 248 348 356 364	M5232 M5240 M5248 M5348KX M5356 M5364	E5232CML E5240CML E5248CML E5348CH E5356CML E5364CML	D5356C	H5356CA	P5232R-A P5240R-A P5248R-A P5348R-A P5356R-A P5364R-A	MH41	MT01	UYX128GAS#10		
W532/CR/UTP/CL/RLP/CX											
W811/CRL	232 240 248 356 364	M5232 M5240 M5248 M5356 M5364	E5232ML E5240ML E5248ML E5356ML E5364ML	D5356H	H5356MA	P2763-A P2764-A P2765-A P2766-A P2767-A	MH41	MT01	UYX128GAS#9		
U811/CRL						P0963-A P0964-A P0965-A P0966-A P0967-A					

SIRUBA GAGE PARTS LIST	Series		Remark							Page	Date
	C007KP									3 / 6	2020/11/3
											
MODEL	SUB-CLASS	NEEDLE CLAMP	NEEDLE PLATE	MAIN FEED DOG	DIFF. FEED DOG	PRESSER FOOT	SPREADER	LOOPER	NEEDLE		
機 型	規 格	針 座	針 板	主 送 具	差 送 具	押 具	上 叉	勾 針	針 號		
W811A/CRL	232 240 248 356 364	M5232 M5240 M5248 M5356 M5364	E5232NL E5240NL E5248NL E5356NL E5364NL	D5356H	H5356NA	P2763-A P2764-A P2765-A P2766-A P2767-A	MH41	MT01	UYX128GAS#9		
U811A/CRL						P0963-A P0964-A P0965-A P0966-A P0967-A				—	
W812/CRL	232 240 248 356 364	M5232 M5240 M5248 M5356 M5364	E5232QLL E5240QLL E5248QLL E5356QLL E5364QLL	D5356H	H5356MA	P2763-A P2764-A P2765-A P2766-A P2767-A	MH41	MT01	UYX128GAS#10		
U812/CRL						P0963-A P0964-A P0965-A P0966-A P0967-A				—	
W812A/CRL	232 240 248 356 364	M5232 M5240 M5248 M5356 M5364	E5232RLL E5240RLL E5248RLL E5356RLL E5364RLL	D5356H	H5356NA	P2763-A P2764-A P2765-A P2766-A P2767-A	MH41	MT01	UYX128GAS#10		
U812A/CRL						P0963-A P0964-A P0965-A P0966-A P0967-A				—	

SIRUBA MODEL COMPARE LIST		Series				Remark				Page	Date
		C007KP				W812 /W813 : 4rof teeth W812A/W813A : 5rof teeth				4 / 6	2020/11/3
											
MODEL	SUB-CLASS	NEEDLE CLAMP	NEEDLE PLATE	MAIN FEED DOG	DIFF. FEED DOG	PRESSER FOOT	SPREADER	LOOPER	NEEDLE		
機 型	規 格	針 座	針 板	主送具	差送具	押 具	上 叉	勾 針	針 號		
W813/CRL	232 240 248	M5232 M5240 M5248	E5232MH E5240MH E5248MH	D5356H	H5356MA	P2763-A P2764-A P2765-A P2766-A P2767-A	MH41	MT01	UYX128GAS#10		
U813/CRL	356 364	M5356 M5364	E5356MH E5364MH			P0963-A P0964-A P0965-A P0966-A P0967-A	—				
W813A/CRL	232 240 248	M5232 M5240 M5248	E5232NH E5240NH E5248NH	D5356H	H5356NA	P2763-A P2764-A P2765-A P2766-A P2767-A	MH41	MT01	UYX128GAS#10		
U813A/CRL	356 364	M5356 M5364	E5356NH E5364NH			P0963-A P0964-A P0965-A P0966-A P0967-A	MH41				
W821/CRL/CHP/UTP/CL/RL	232 240 248	M5232 M5240 M5248	E5232ML E5240ML E5248ML	D5356H	H5356MA	P2763-A P2764-A P2765-A P2766-A P2767-A	—	MT01	UYX128GAS#9		
U821/CRL/CHP/UTP/CL/RL	356 364	M5356 M5364	E5356ML E5364ML			P0963-A P0964-A P0965-A P0966-A P0967-A	—				

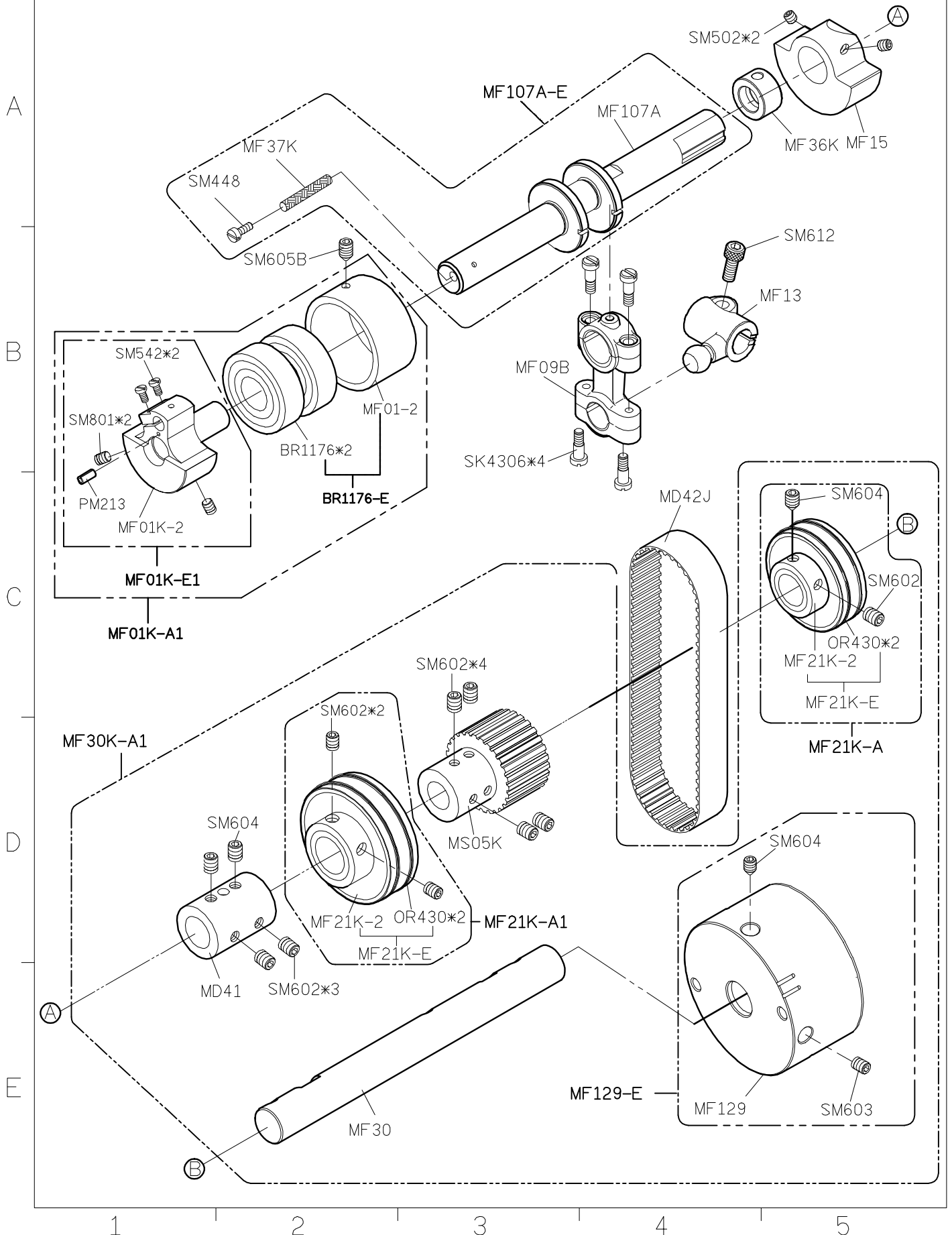
SIRUBA MODEL COMPARE LIST	Series				Remark				Page	Date
	C007KP				W812 /W813 : 4rof teeth W812A/W813A : 5rof teeth				5 / 6	2020/11/3
										
MODEL	SUB-CLASS	NEEDLE CLAMP	NEEDLE PLATE	MAIN FEED DOG	DIFF. FEED DOG	PRESSER FOOT	SPREADER	LOOPER	NEEDLE	
機 型	規 格	針 座	針 板	主 送 具	差 送 具	押 具	上 叉	勾 針	針 號	
W821A/CRL/CHP/UTP/CL/RL	232 240 248	M5232 M5240 M5248	E5232NL E5240NL E5248NL	D5356H	H5356NA	P2763-A P2764-A P2765-A P2766-A P2767-A	MH41	MT01	UYX128GAS#9	
U821A/CRL/CHP/UTP/CL/RL	356 364	M5356 M5364	E5356NL E5364NL			P0963-A P0964-A P0965-A P0966-A P0967-A	—			
W822/CRL/CHP/UTP/CL/RL	232 240 248	M5232 M5240 M5248	E5232QLL E5240QLL E5248QLL	D5356H	H5356MA	P2763-A P2764-A P2765-A P2766-A P2767-A	MH41	MT01	UYX128GAS#10	
U822/CRL/CHP/UTP/CL/RL	356 364	M5356 M5364	E5356QLL E5364QLL			P0963-A P0964-A P0965-A P0966-A P0967-A	—			
W822A/CRL/CHP/UTP/CL/RL	232 240 248	M5232 M5240 M5248	E5232RLL E5240RLL E5248RLL	D5356H	H5356NA	P2763-A P2764-A P2765-A P2766-A P2767-A	MH41	MT01	UYX128GAS#10	
U822A/CRL/CHP/UTP/CL/RL	356 364	M5356 M5364	E5356RLL E5364RLL			P0963-A P0964-A P0965-A P0966-A P0967-A	—			

SIRUBA GAGE PARTS LIST	Series					Remark				Page	Date
	C007KP									6 / 6	2020/11/3
											
MODEL	SUB-CLASS	NEEDLE CLAMP	NEEDLE PLATE	MAIN FEED DOG	DIFF. FEED DOG	PRESSER FOOT	SPREADER	LOOPER	NEEDLE		
機 型	規 格	針 座	針 板	主 送 具	差 送 具	押 具	上 叉	勾 針	針 號		
W823/CRL/CHP/UTP/CL/RL	232 240 248 356 364	M5232 M5240 M5248 M5356 M5364	E5232MH E5240MH E5248MH E5356MH E5364MH	D5356H	H5356MA	P2763-A P2764-A P2765-A P2766-A P2767-A	MH41	MT01	UYX128GAS#10		
U823/CRL/CHP/UTP/CL/RL						P0963-A P0964-A P0965-A P0966-A P0967-A	—				
W823A/CRL/CHP/UTP/CL/RL	232 240 248 356 364	M5232 M5240 M5248 M5356 M5364	E5232NH E5240NH E5248NH E5356NH E5364NH	D5356H	H5356NA	P2763-A P2764-A P2765-A P2766-A P2767-A	MH41	MT01	UYX128GAS#10		
U823A/CRL/CHP/UTP/CL/RL						P0963-A P0964-A P0965-A P0966-A P0967-A	—				
W922/CW	456 460 464	M5456K M5460K M5464K	E5456KM E5460KM E5464KM	D5456K	H5456KA-E	P5456K-A P5460K-A P5464K-A	MH41	MT01B	SM1014B#10		









SIRUBA PARTS LIST	Series	Parts Group	Subclass / Remark	Page
	C007K/C007KD	<b>MG-K</b>		1/1
	C007KP/C858K			Date
				2021/7/19

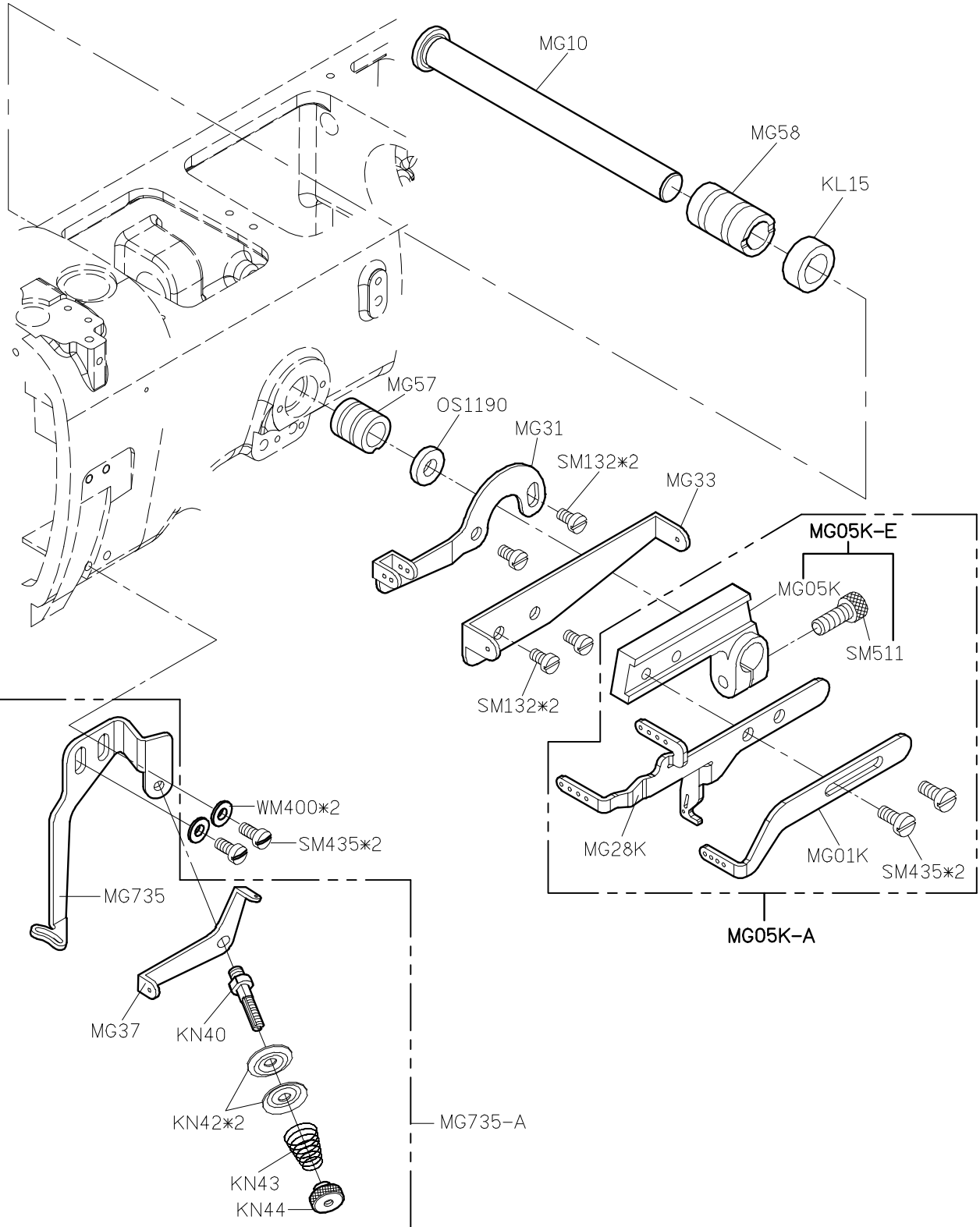
A

B

C

D

E



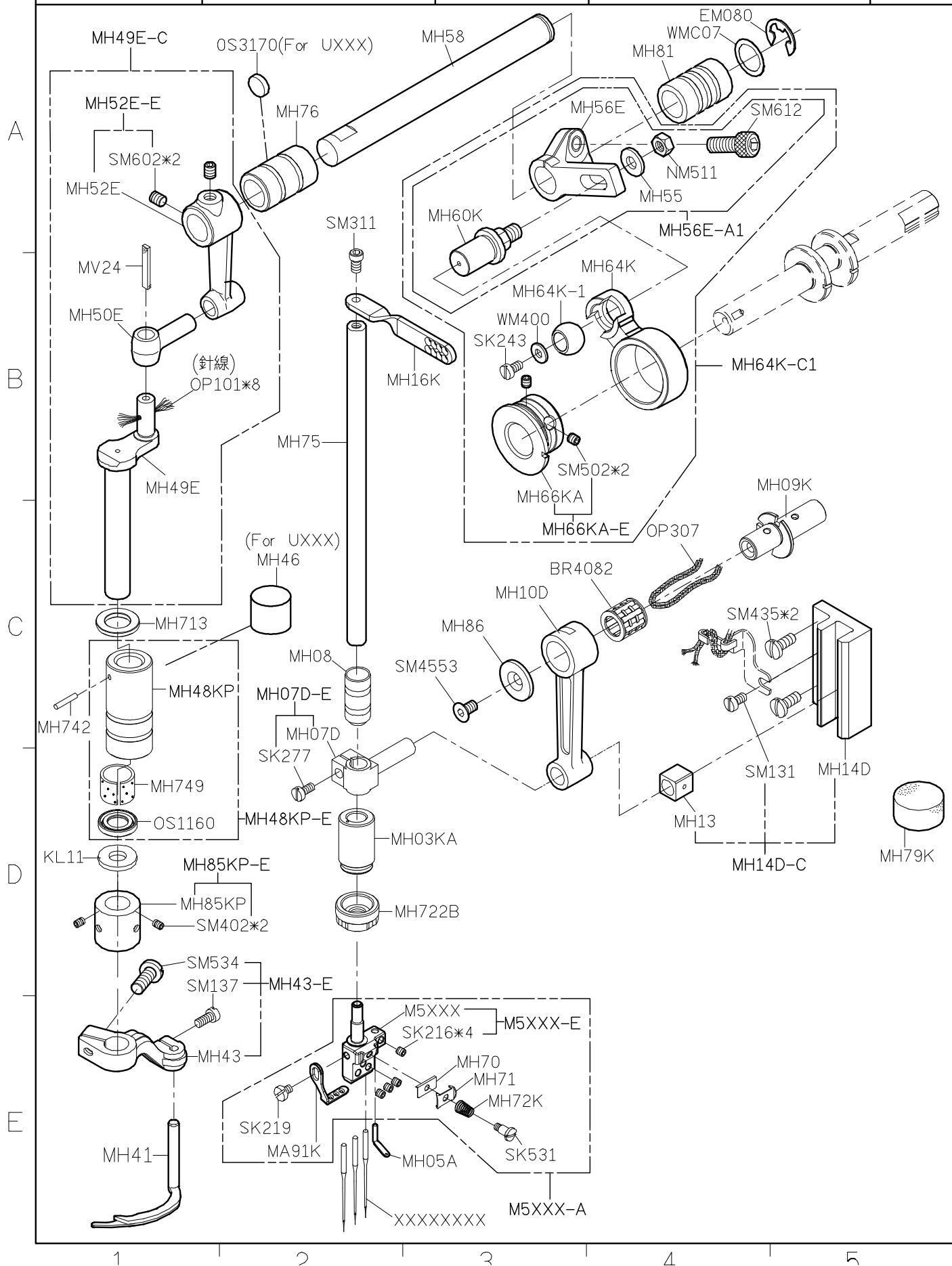
1

2

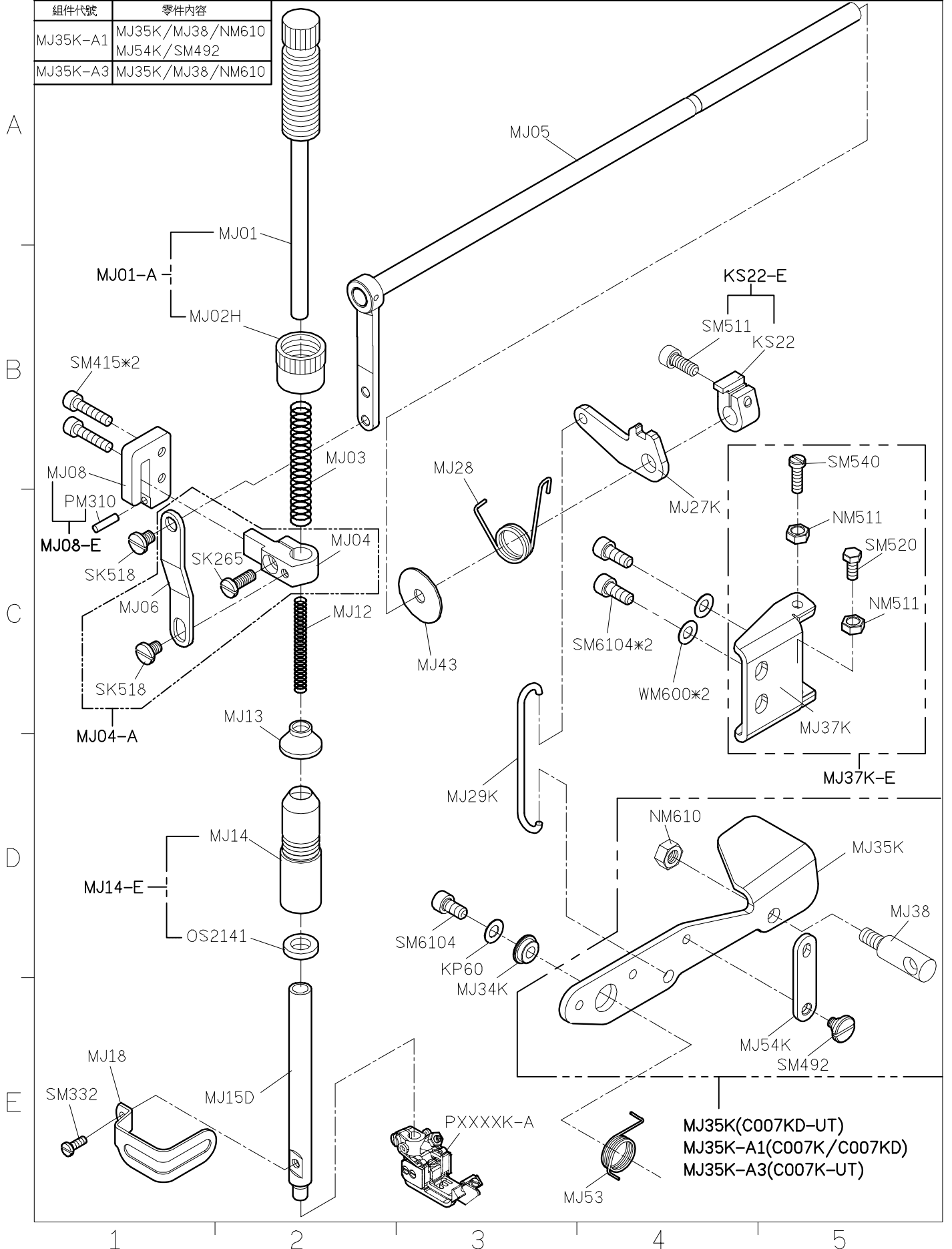
3

4

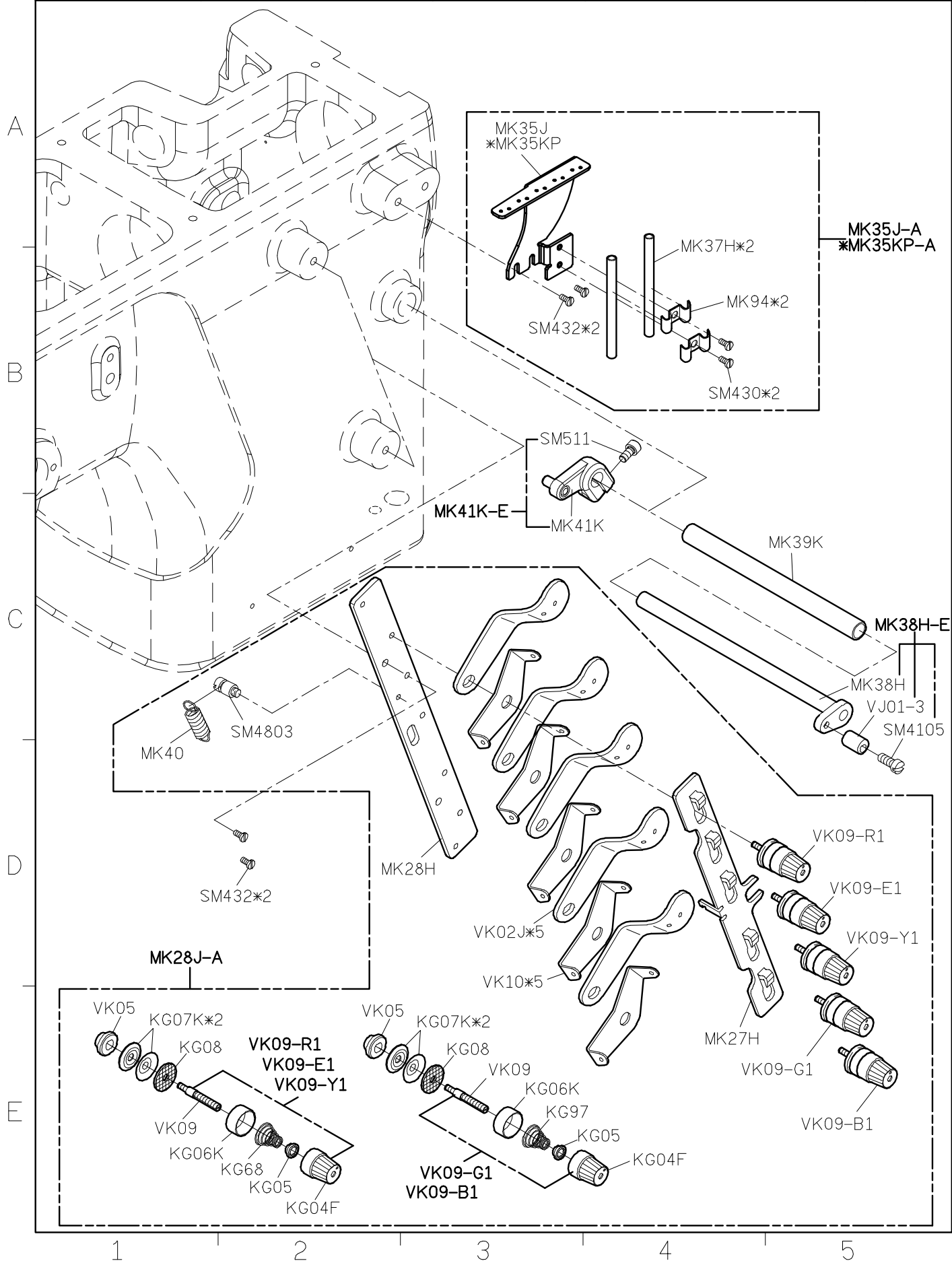
5



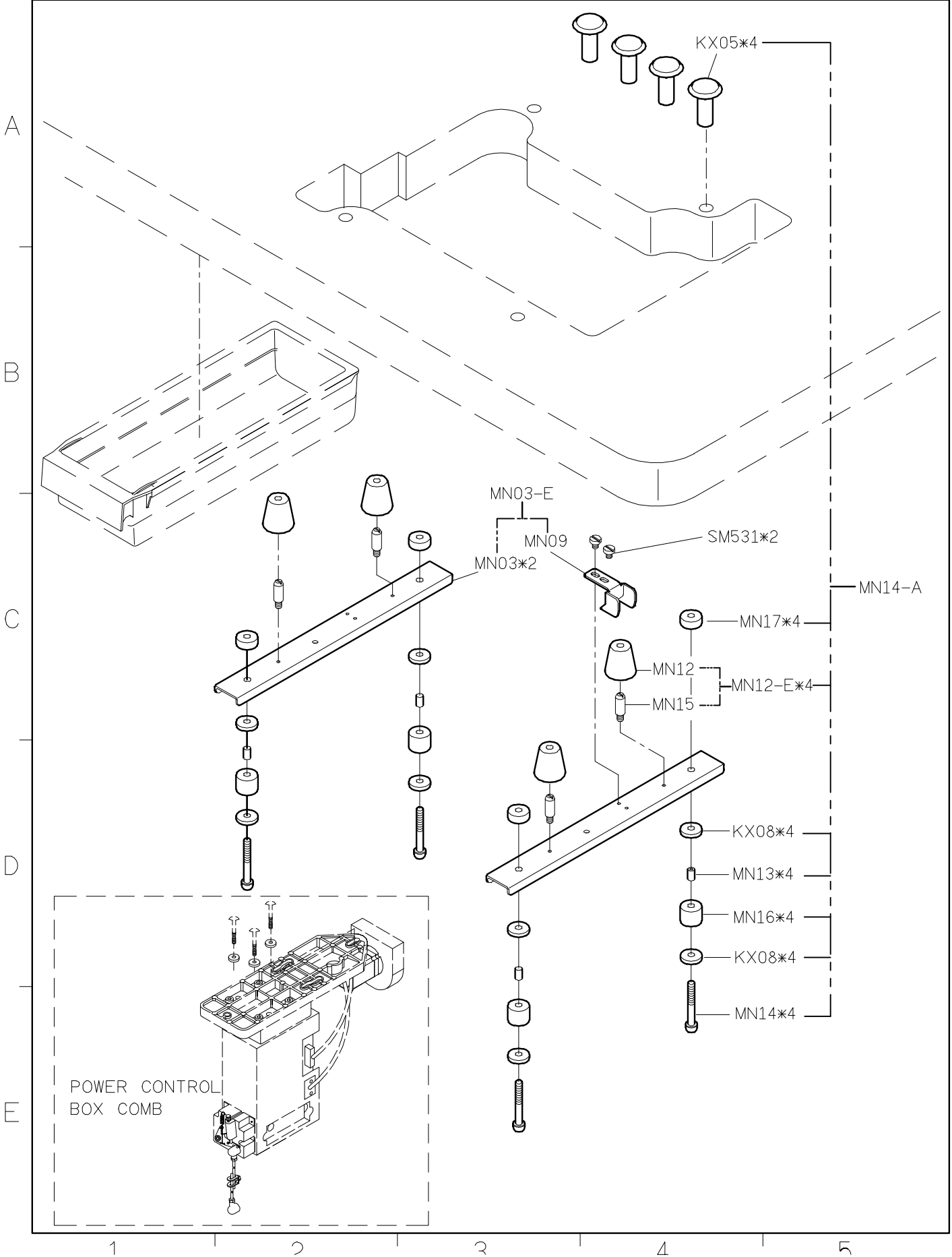
組件代號	零件內容
MJ35K-A1	MJ35K/MJ38/NM610 MJ54K/SM492
MJ35K-A3	MJ35K/MJ38/NM610



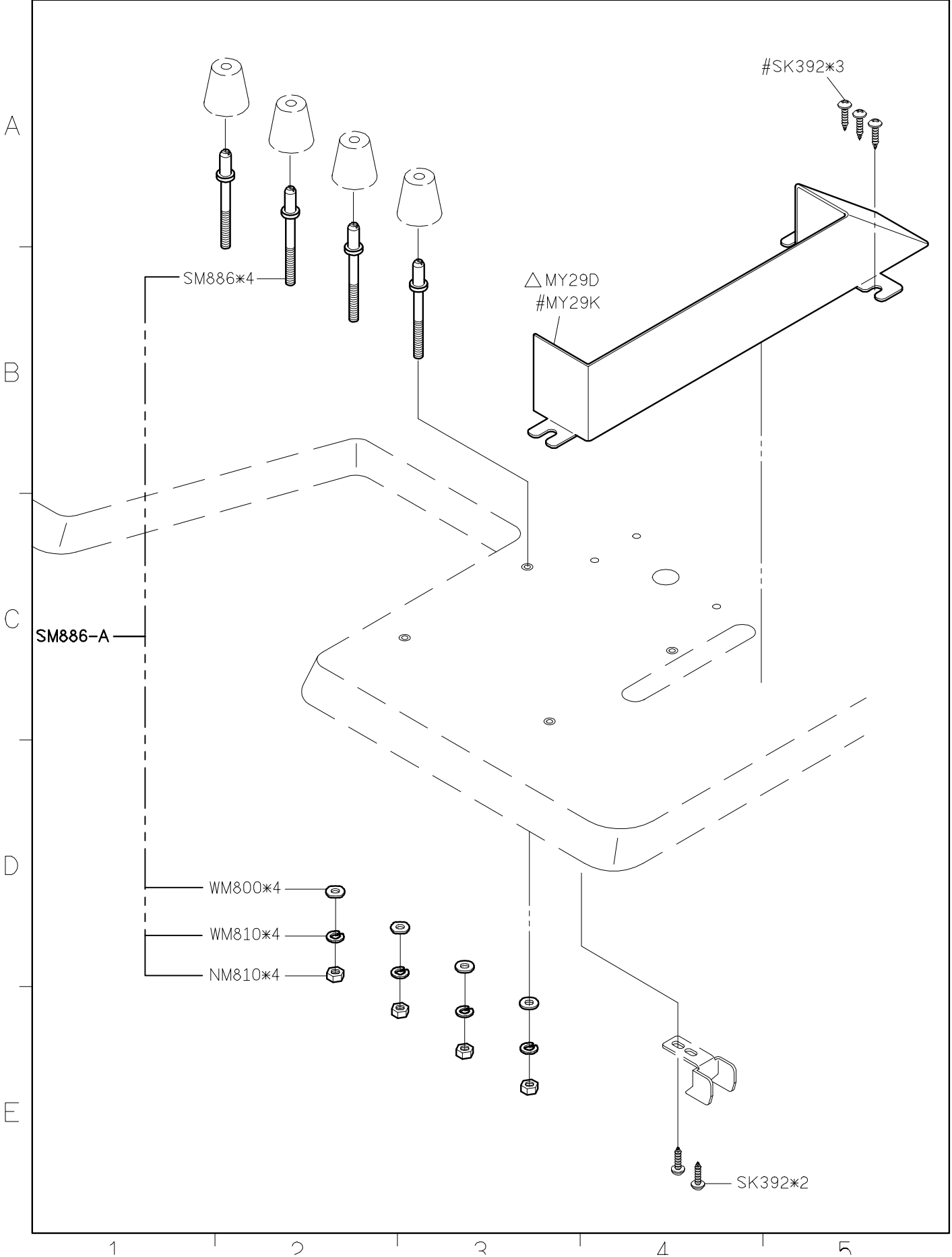
SIRUBA PARTS LIST	Series	Parts Group	Subclass / Remark	Page
	C007K/C007KD	MK-K	*:Use for C007KP	1/1
	C007JP/C007KP			
	C858K			
				Date
				2020/3/20



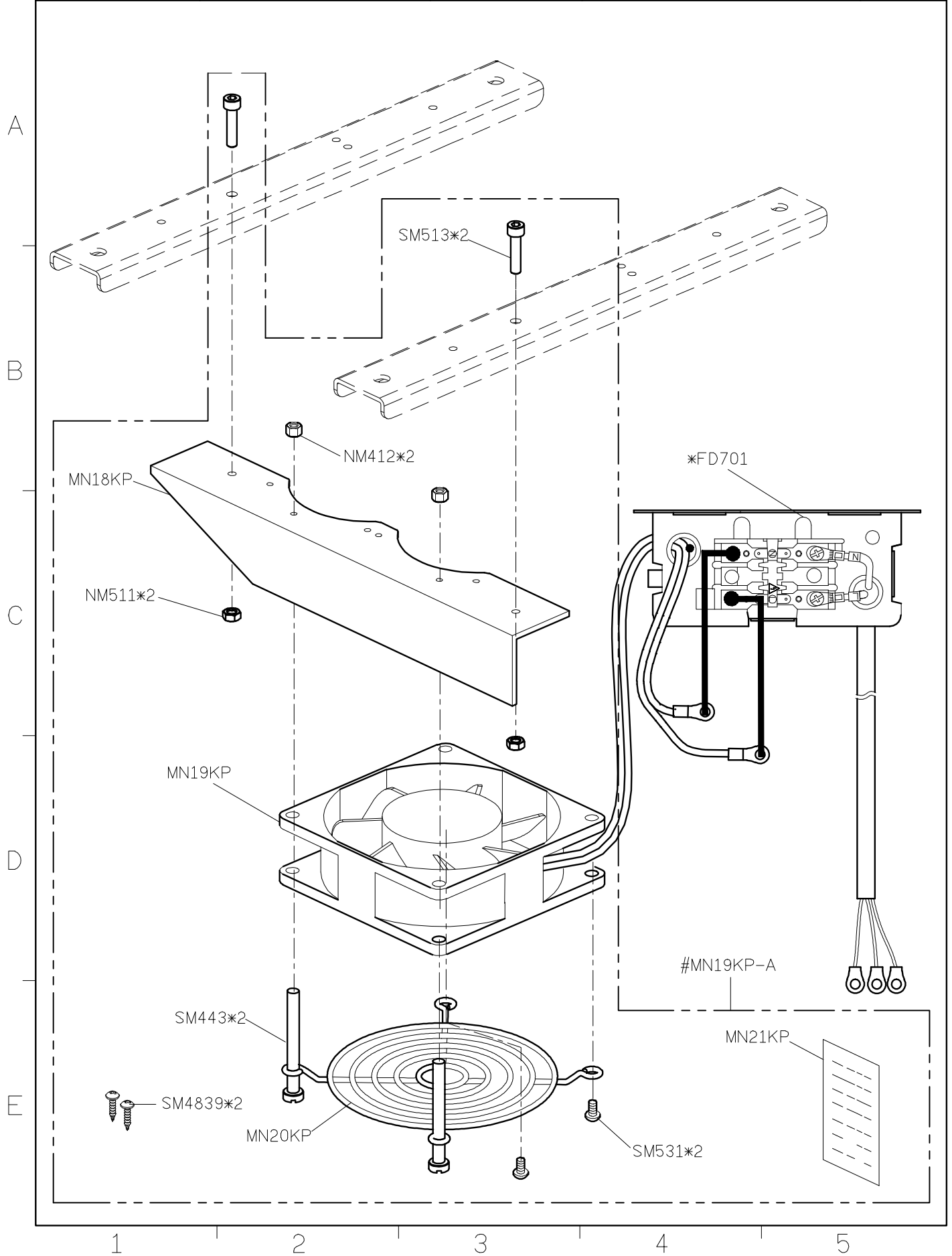
SiRUBA PARTS LIST	Series	Parts Group	Subclass / Remark	Page
	C007K/C007KD	MN-K		1/3
	C007JP/C007KP			Date
	C858K			2019/08/08



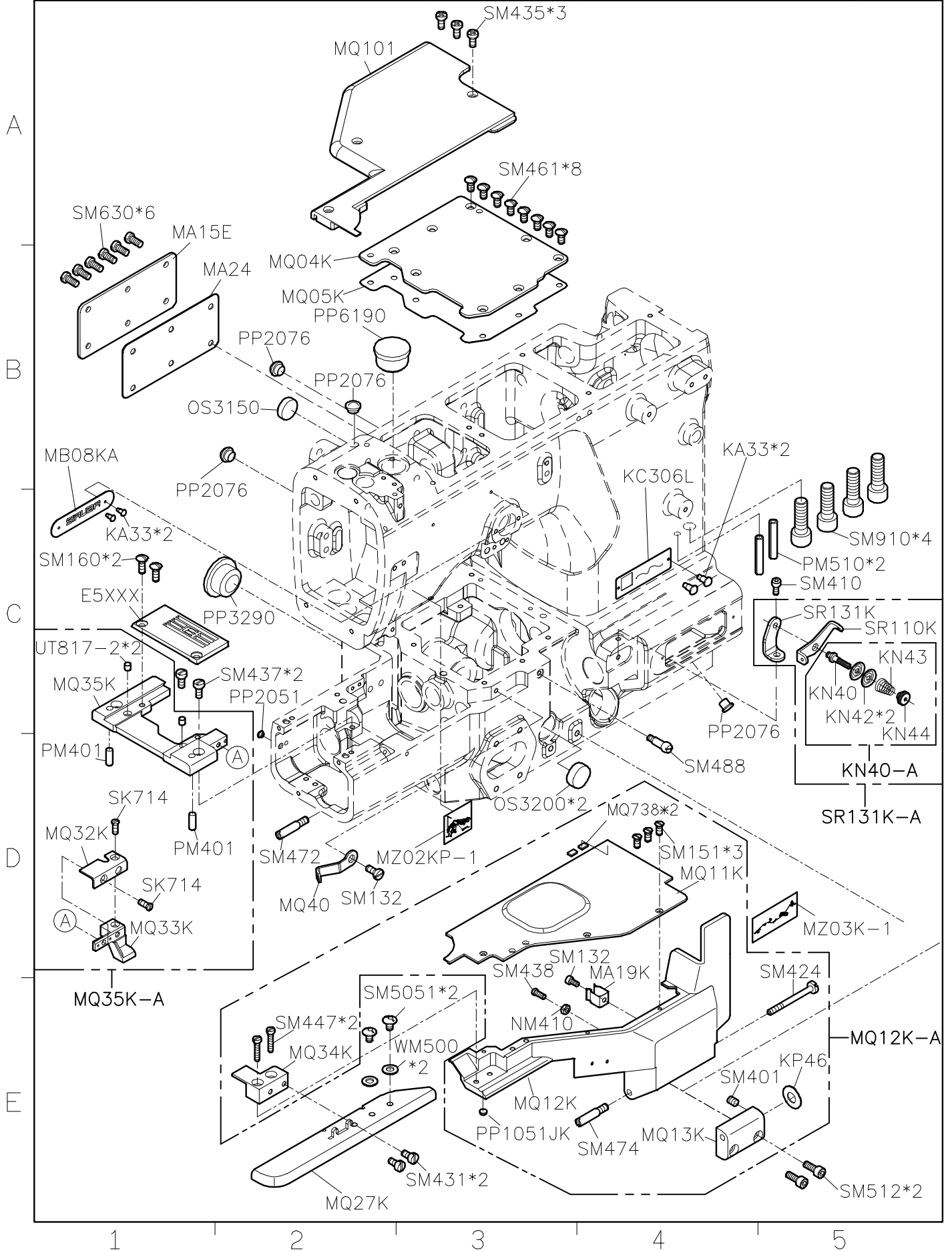
SIRUBA PARTS LIST	Series	Parts Group	Subclass / Remark	Page
	C007K/C007KD	MN-K	△ Use for C007JP	2/3
	C007JP/C007KP			Date
	C858K			2019/08/08



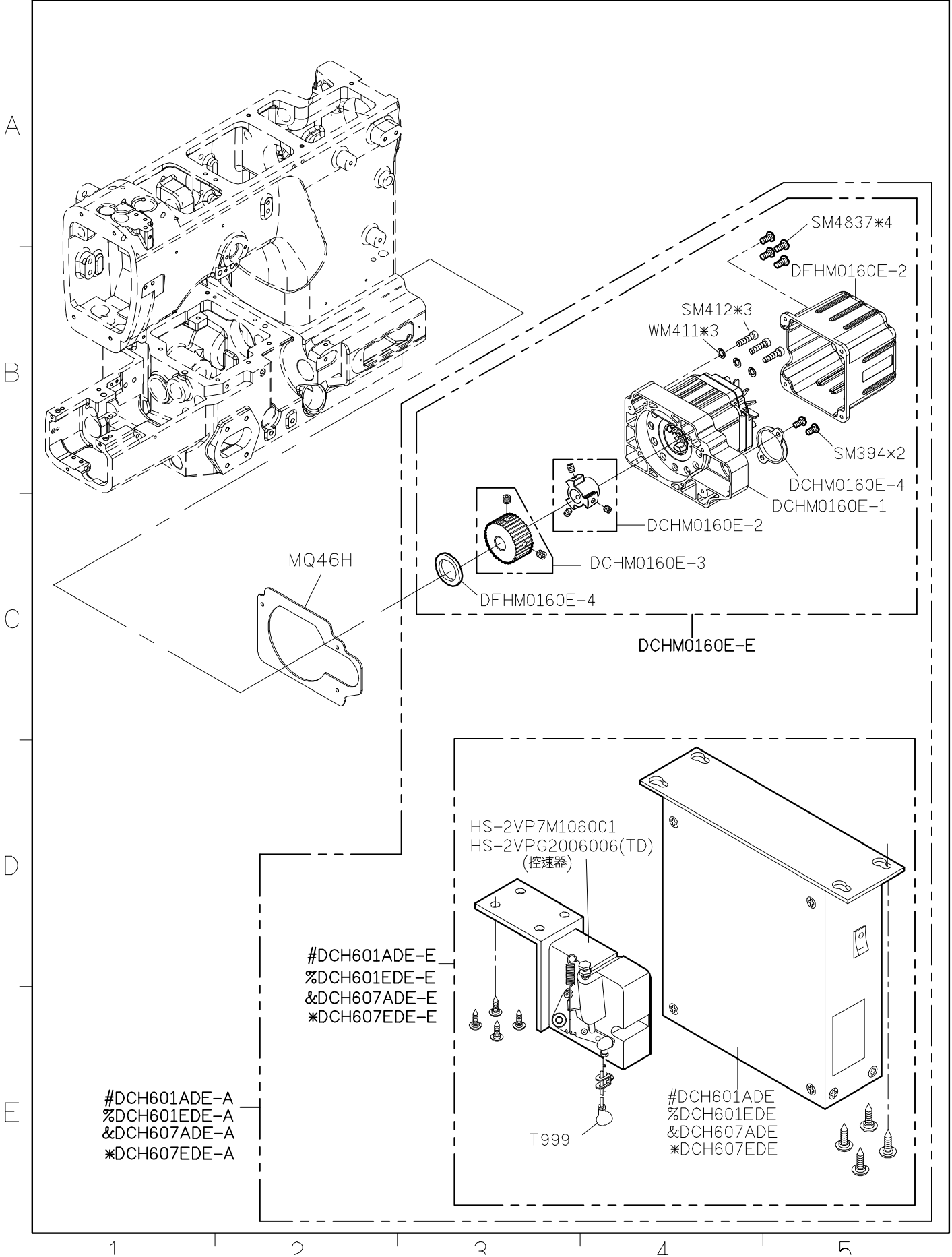
SIRUBA PARTS LIST	Series	Parts Group	Subclass / Remark	Page
	C007KP	MN-K	*Use For Direct-Drive Motor ( P牌 /U牌) #For Option	3/3
				Date 2020/4/28





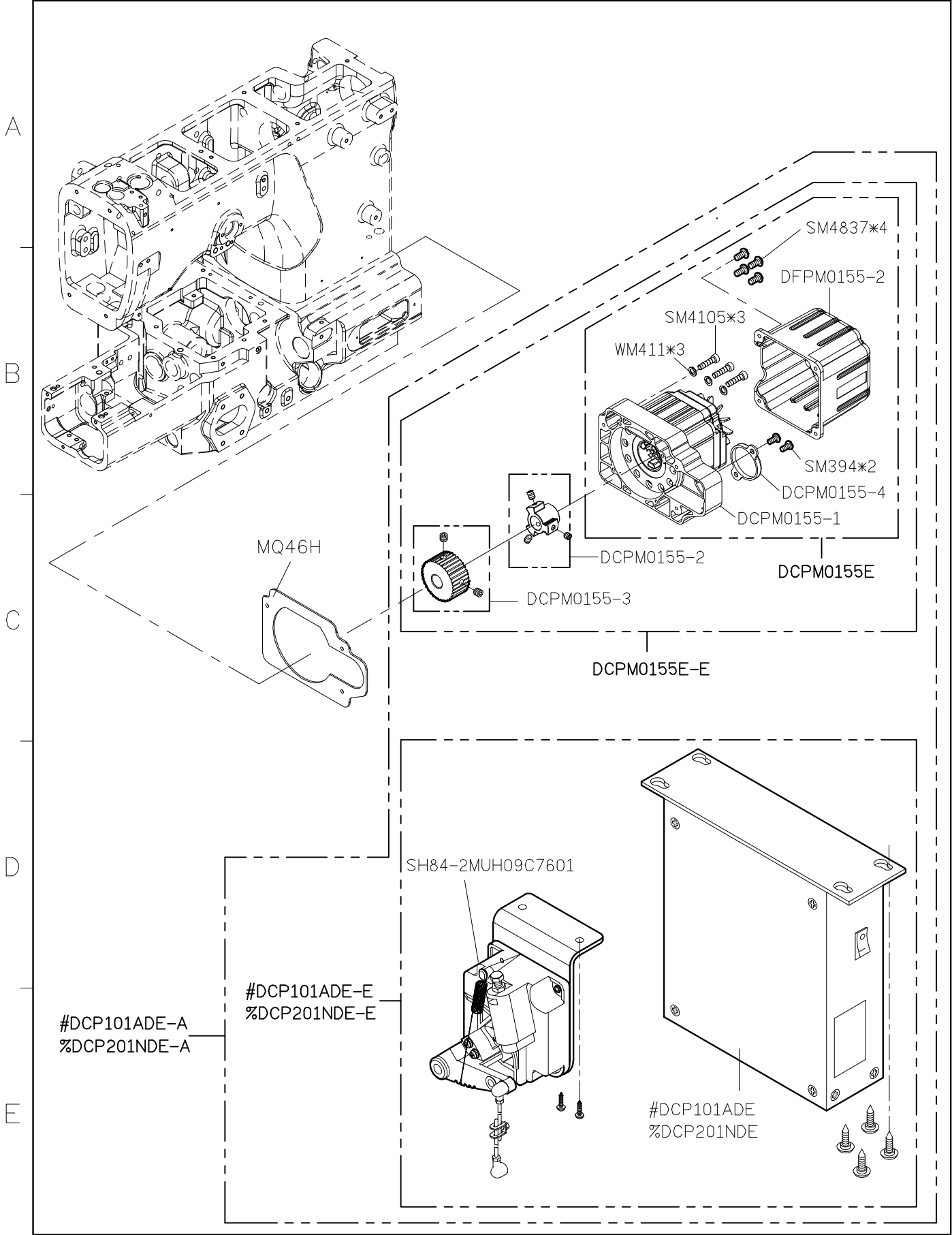


SIRUBA PARTS LIST	Series	Parts Group	Subclass / Remark	Page
	C007KD/C007KP	MQ-K	For Direct-Drive Motor (H牌) #For Pneumatic Automatic %For Electric Automatic &For Pneumatic Automatic(TD) *For Electric Automatic(TD)	2/5
				Date
				2021/8/23



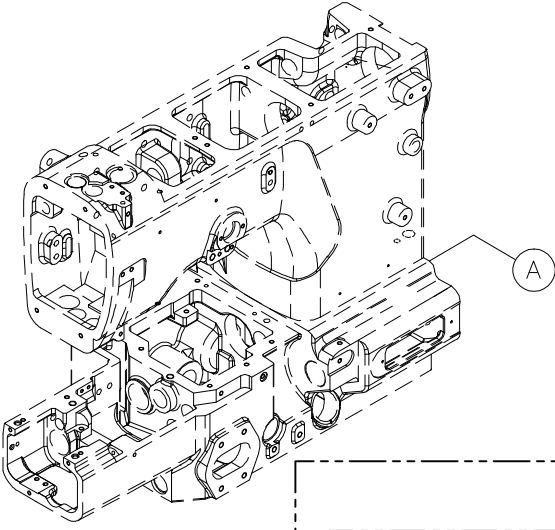


SIRUBA PARTS LIST	Series	Parts Group	Subclass / Remark	Page
	C007KD/C007KP	MQ-K	For Direct-Drive Motor (P牌) #For Pneumatic Automatic %For Electric Automatic	4/5
				Date 2020/9/4



SIRUBA PARTS LIST	Series	Parts Group	Subclass / Remark	Page
	C007KD/C007KP	MQ-K	For Direct-Drive Motor (U牌)	5/5
				Date
				2021/4/6

A

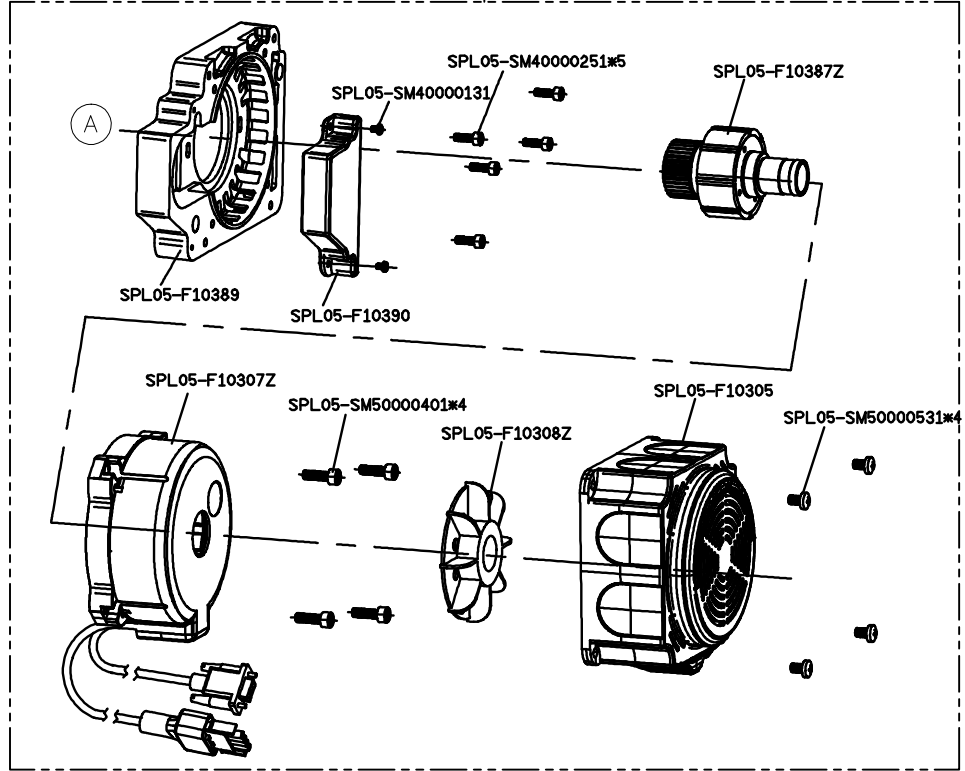


B

DCU501NDE-A

DCUM0155E-E

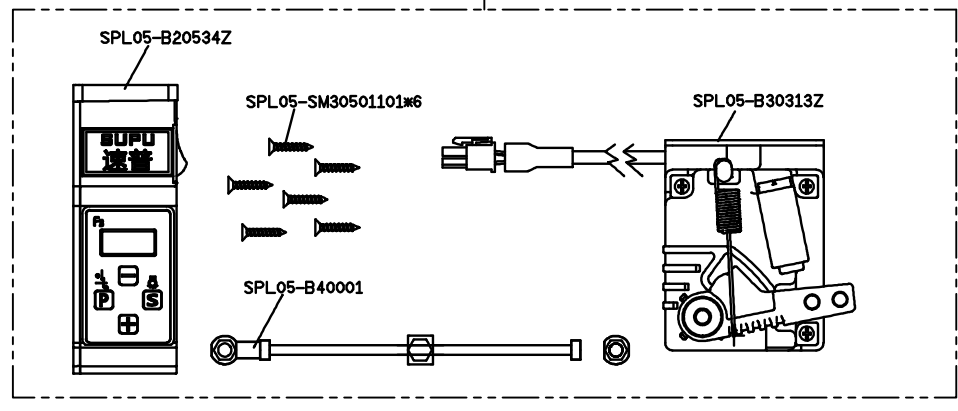
C



D

DCU501NDE-E

E



1

2

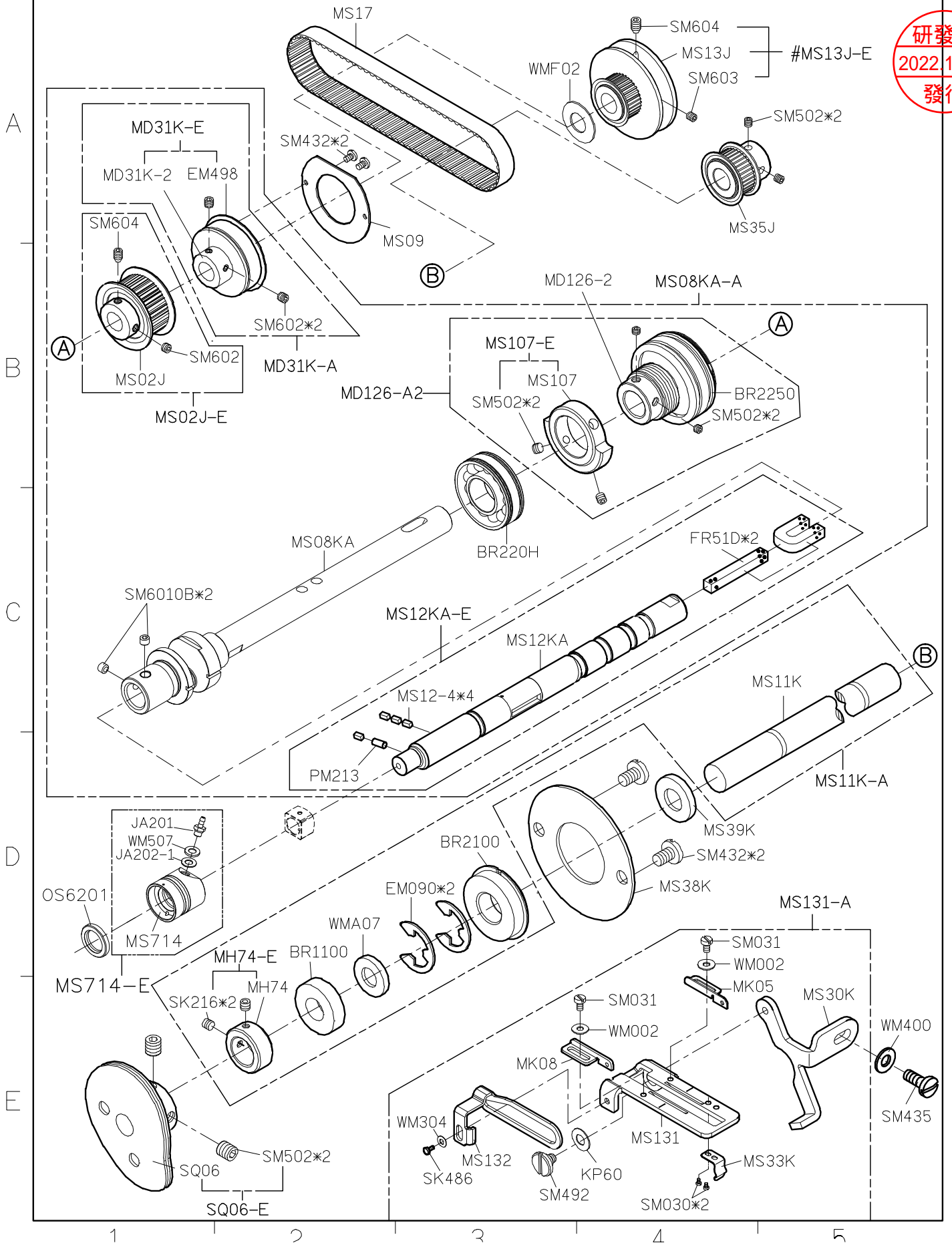
3

4

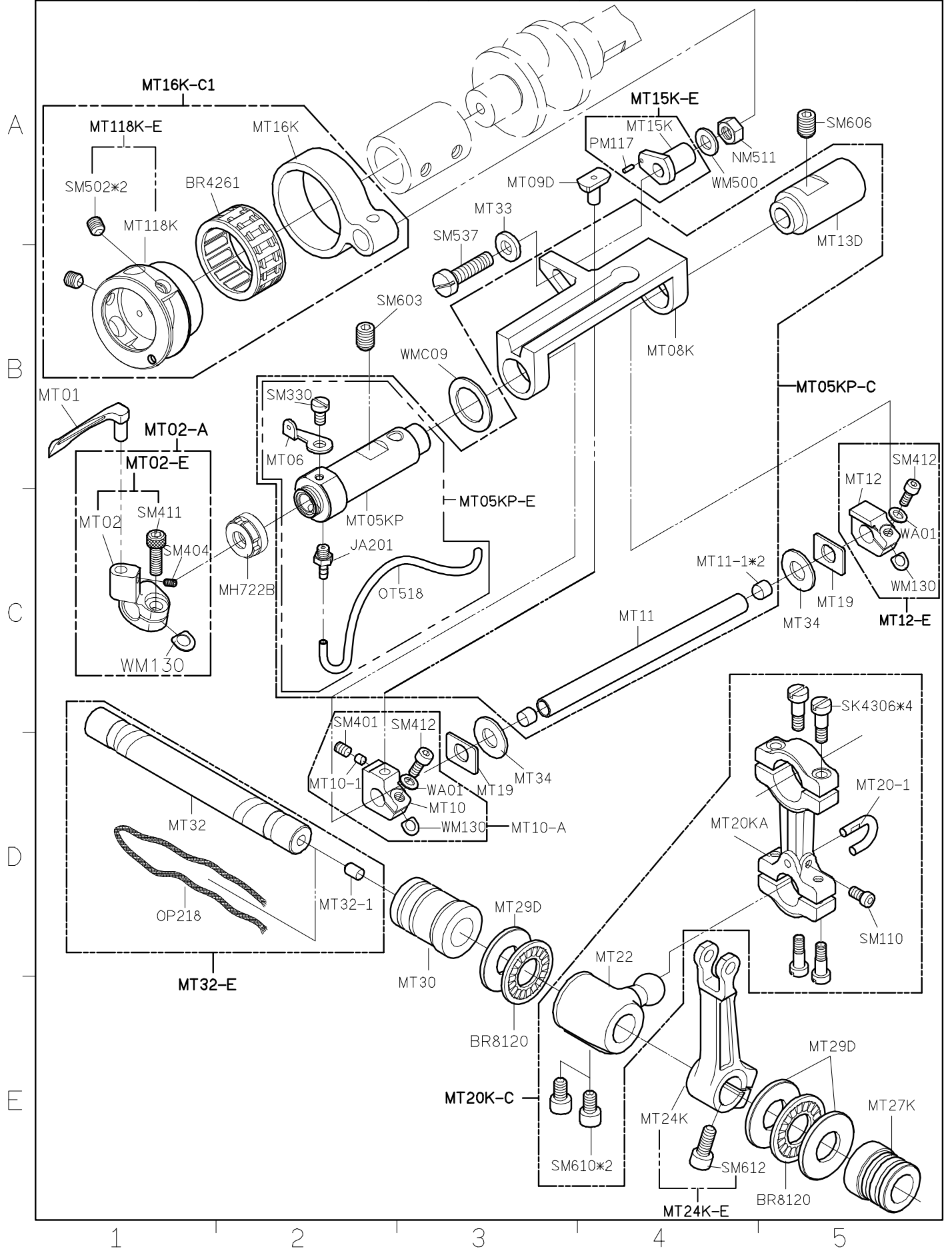
5



研發部  
2022.10.13  
發行



SIRUBA PARTS LIST	Series	Parts Group	Subclass / Remark	Page
	C007KP	MT-K		1/1
				Date
				2020/11/02





**SIRUBA**

PARTS LIST

Series

C007K/C007KD  
C007KP/C858K

Parts Group

**MU-K**

Subclass / Remark

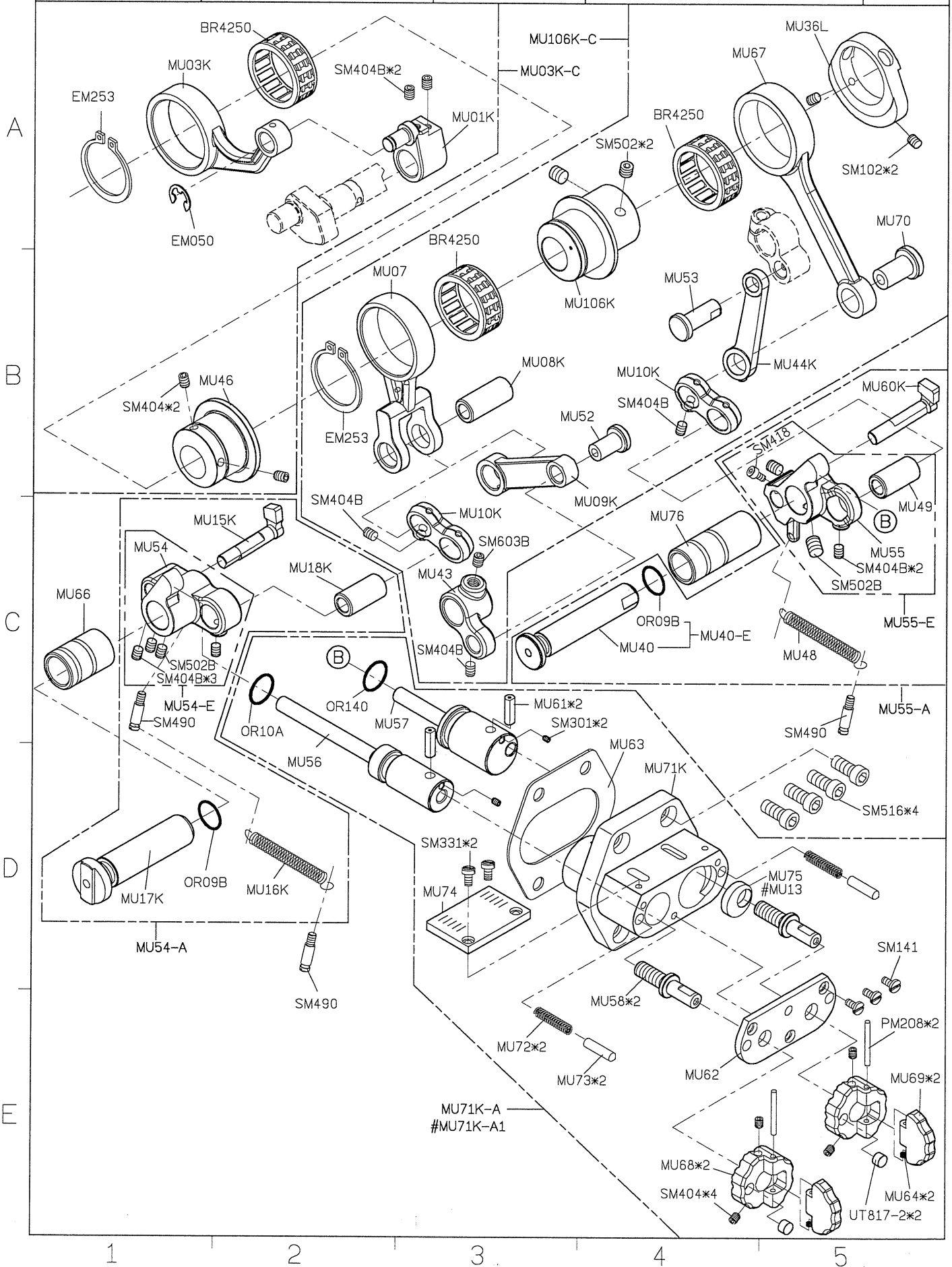
# : Use for CR/CRL

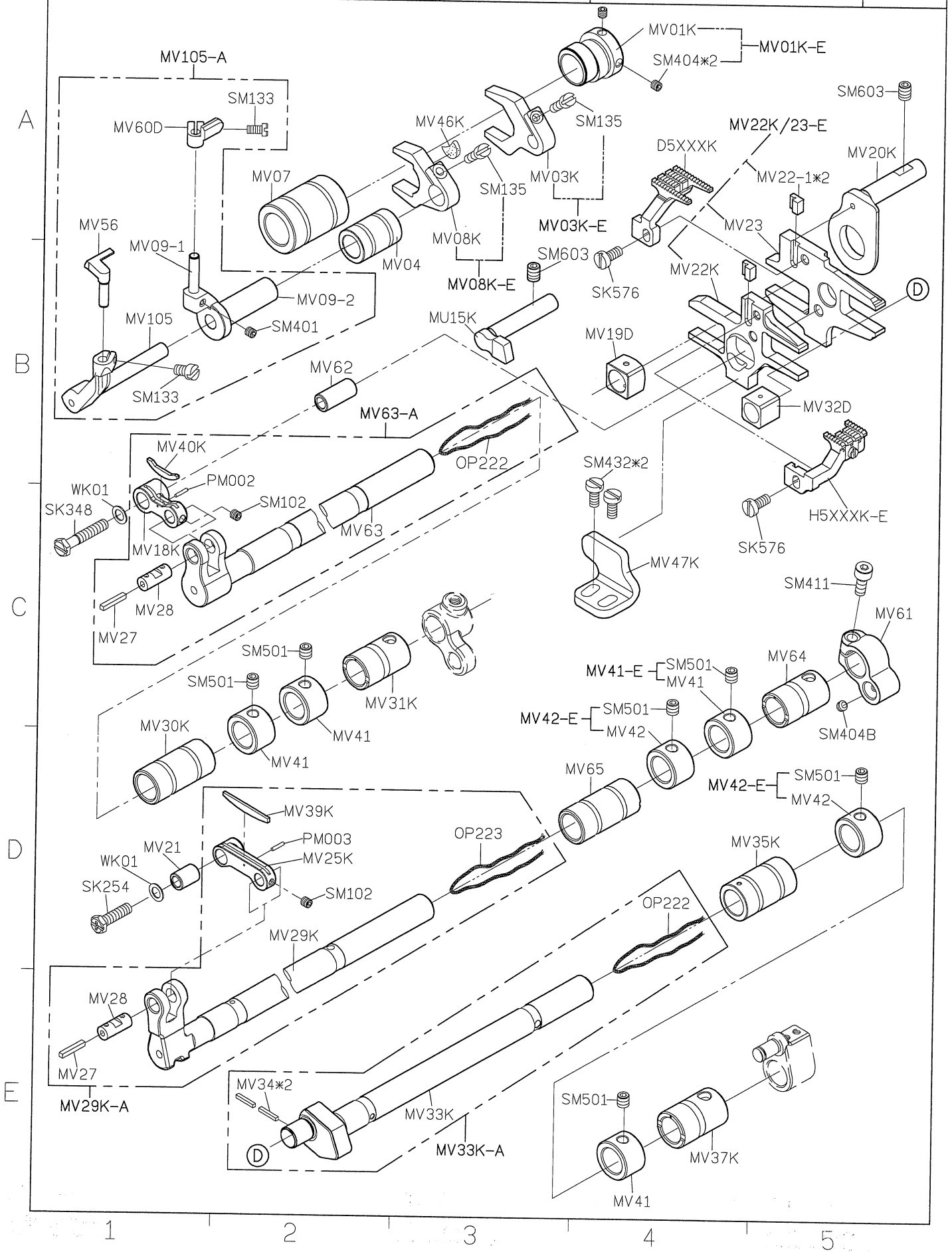
Page

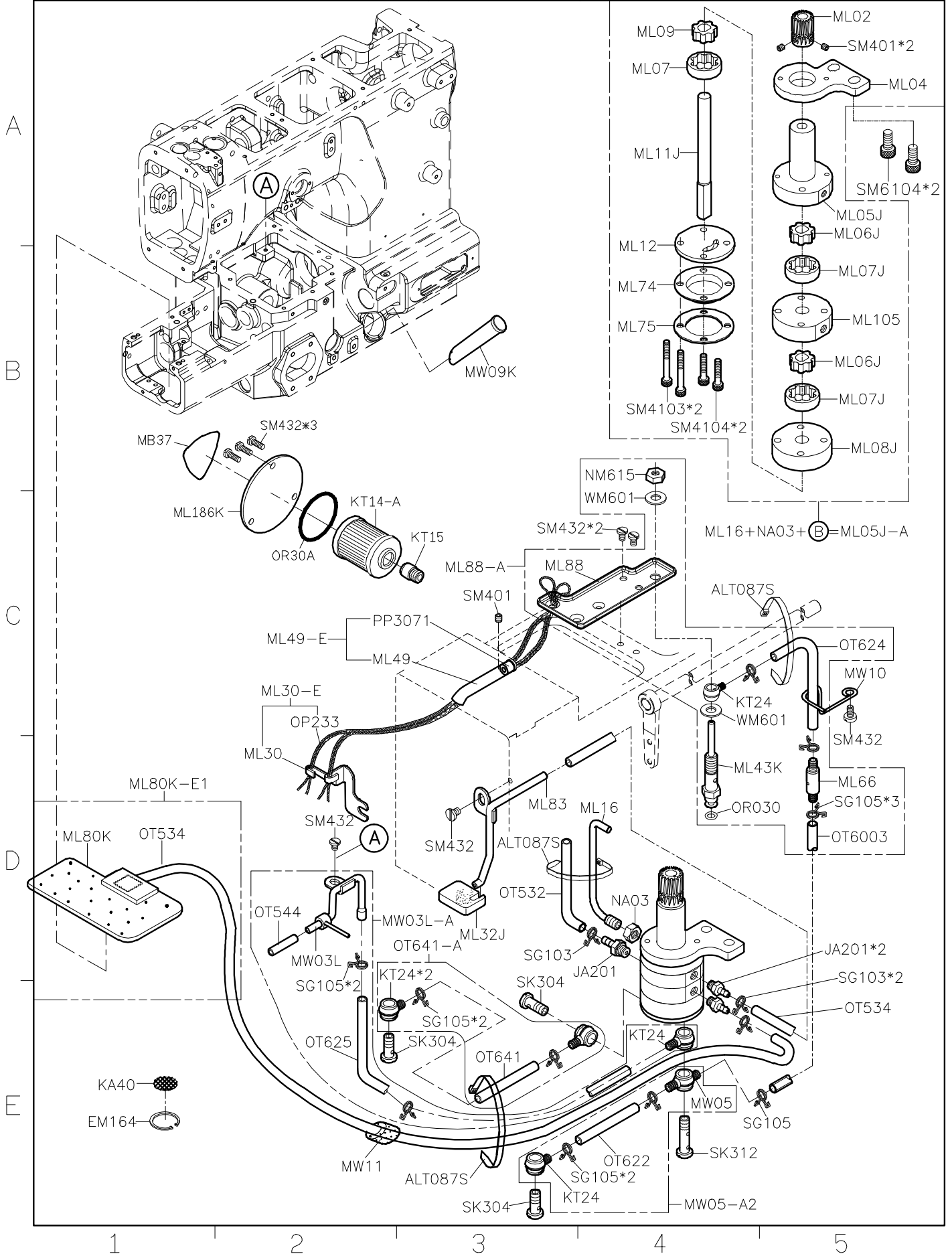
1/1

Date

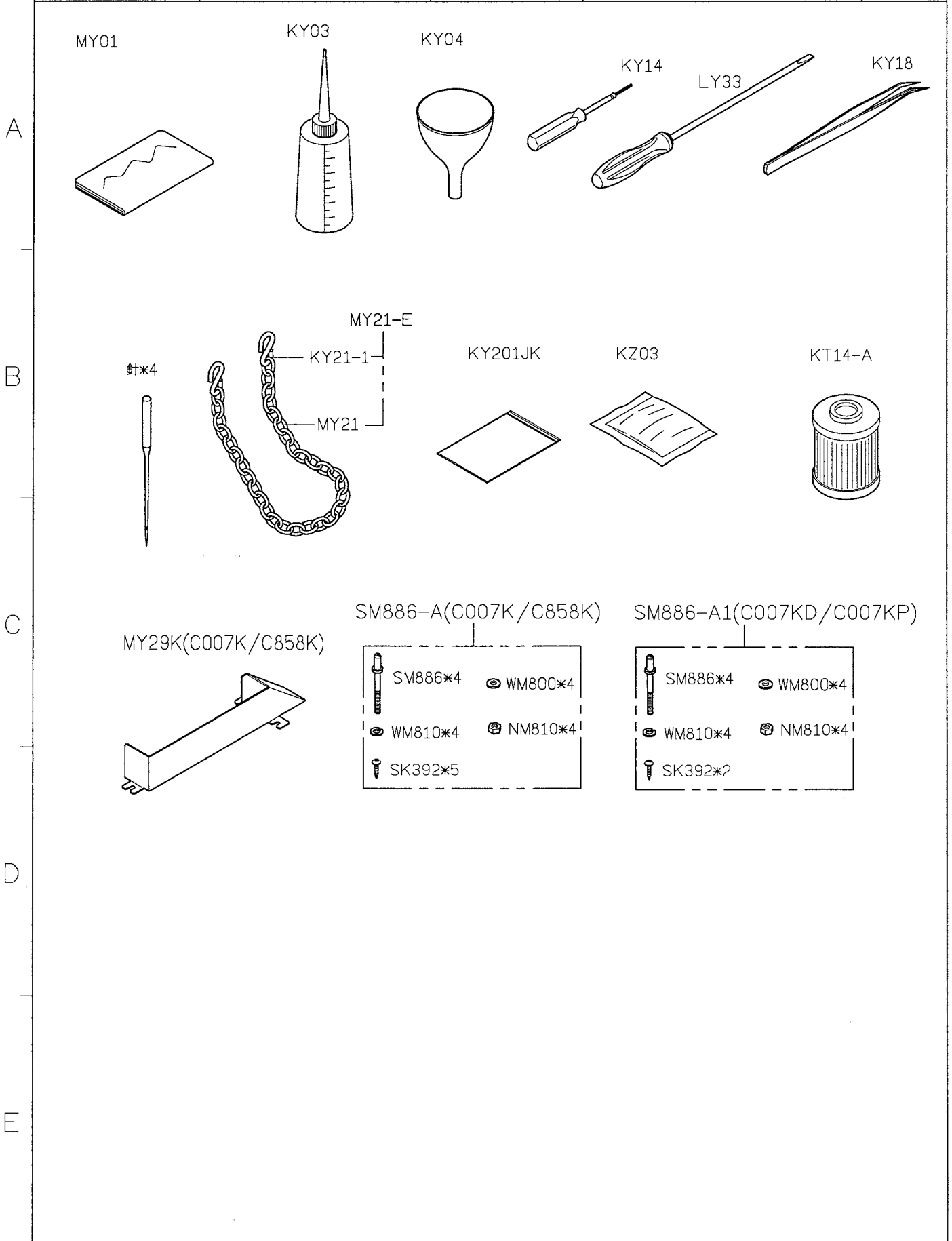
2018/10/16







<b>SIRUBA</b> PARTS LIST	Series	Parts Group	Subclass / Remark	Page
	C007K/C007KD C007KP/C858K	<b>MY-K</b>		1/1
				Date
				2021/01/12



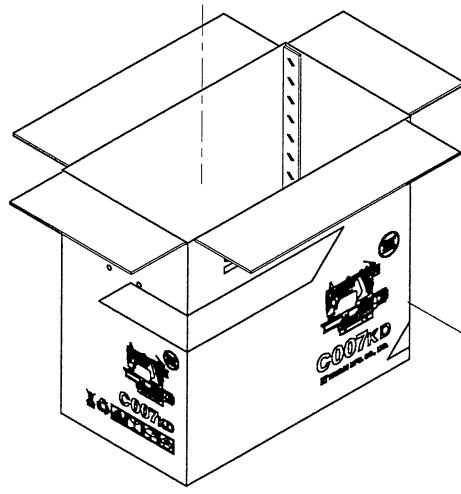
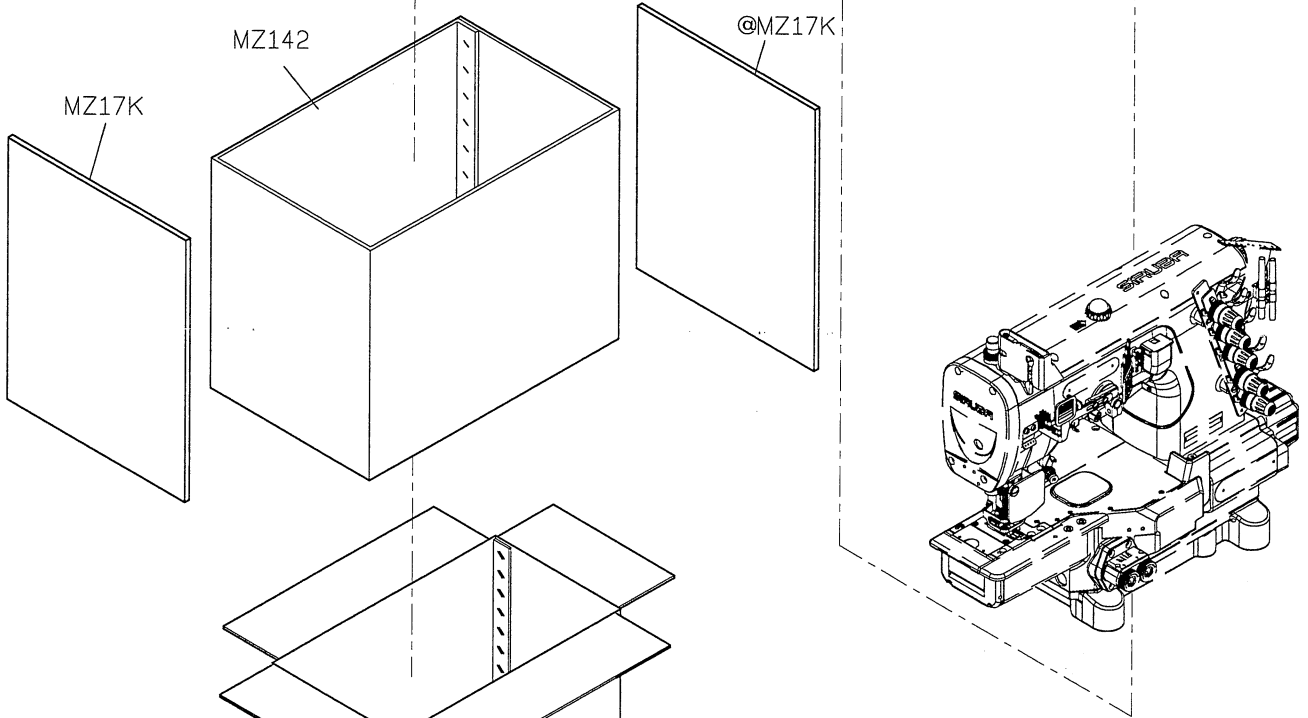
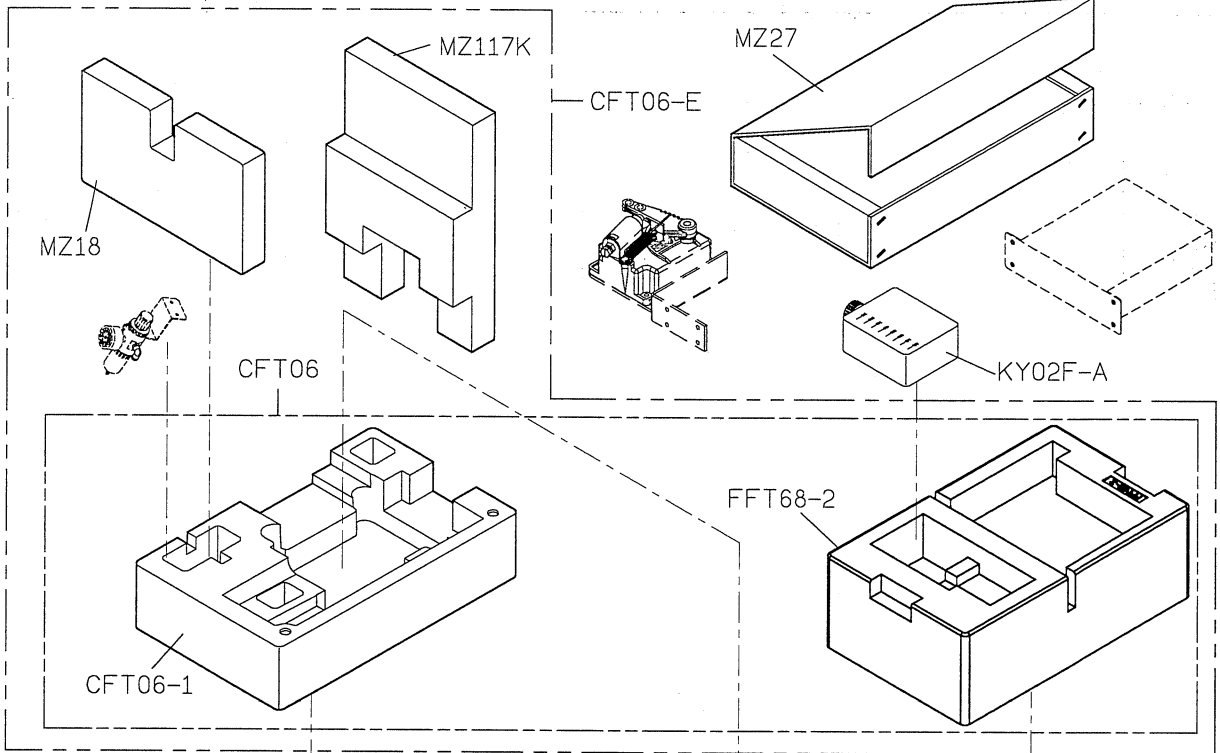
A

B

C

D

E



MZ141 (FOR TAIWAN)  
MZ141KA  
\*MZ141KP(FOR TAIWAN)  
\*MZ141KPA

SIRUBA PARTS LIST	Series	Parts Group	Subclass / Remark	Page
	C007K/C007L	KW		1/1
	C007KP/F007K			Date
	S007K/U007			2020/8/18

KW01E-A

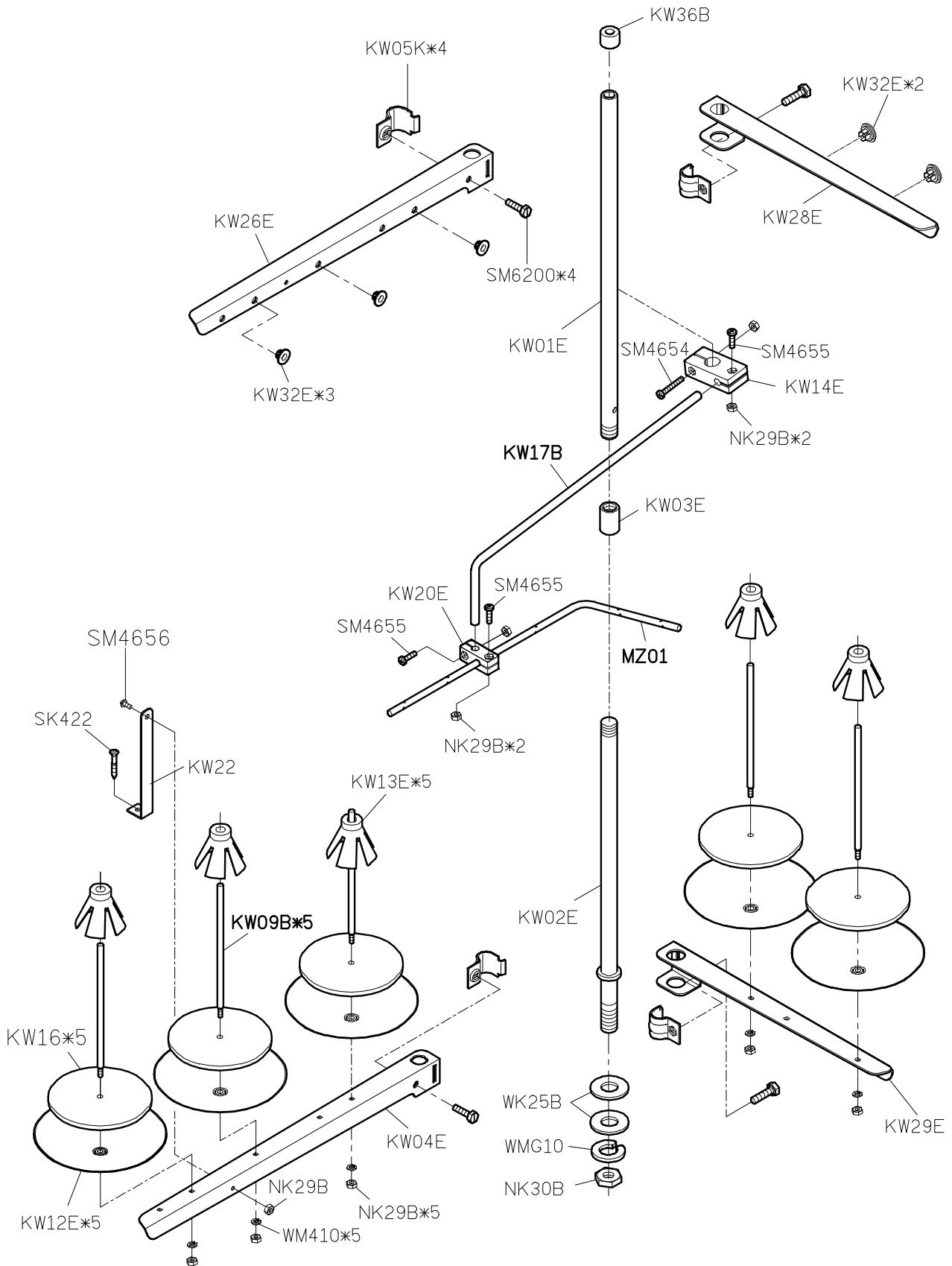
A

B

C

D

E



1

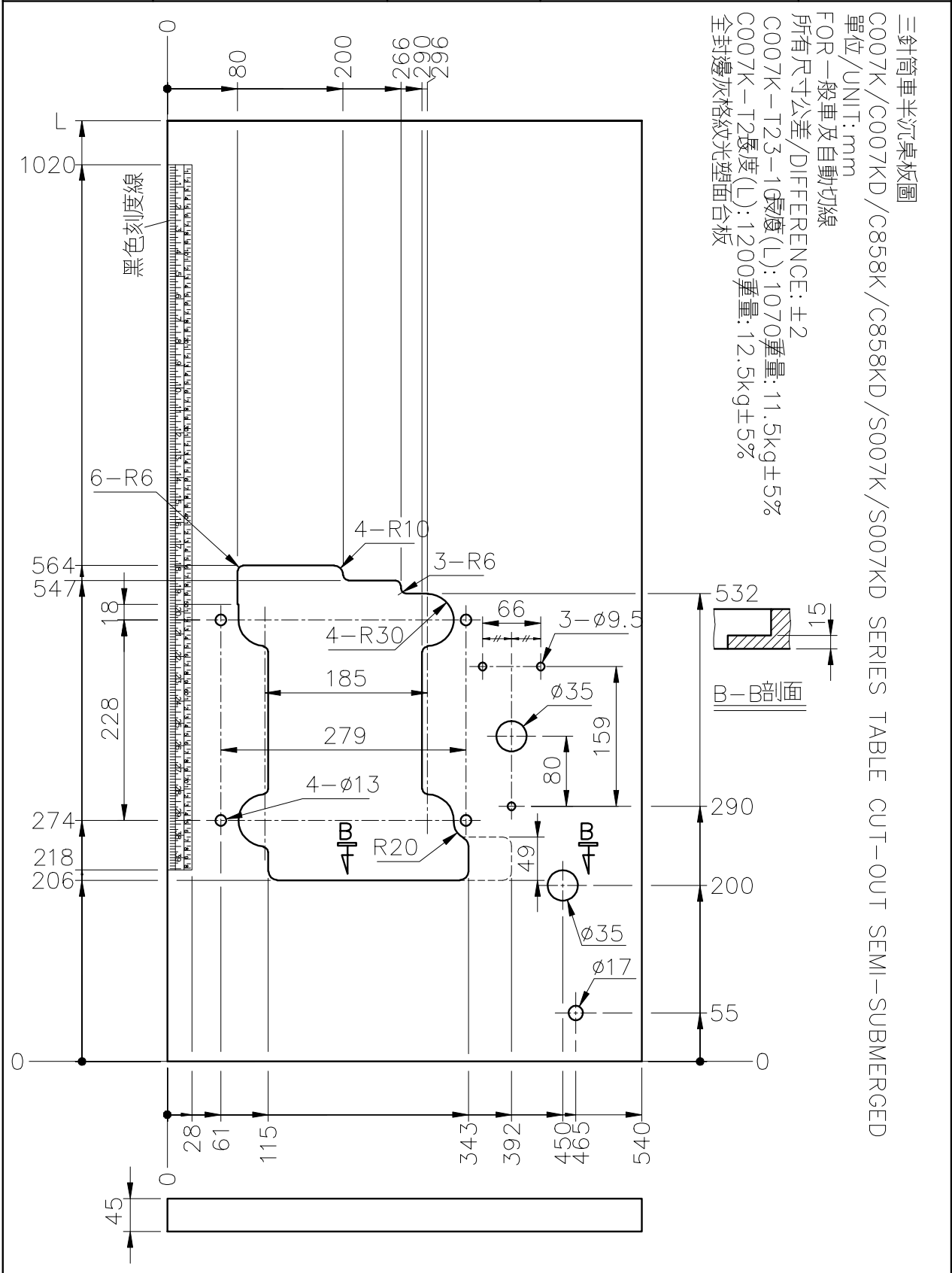
2

3

4

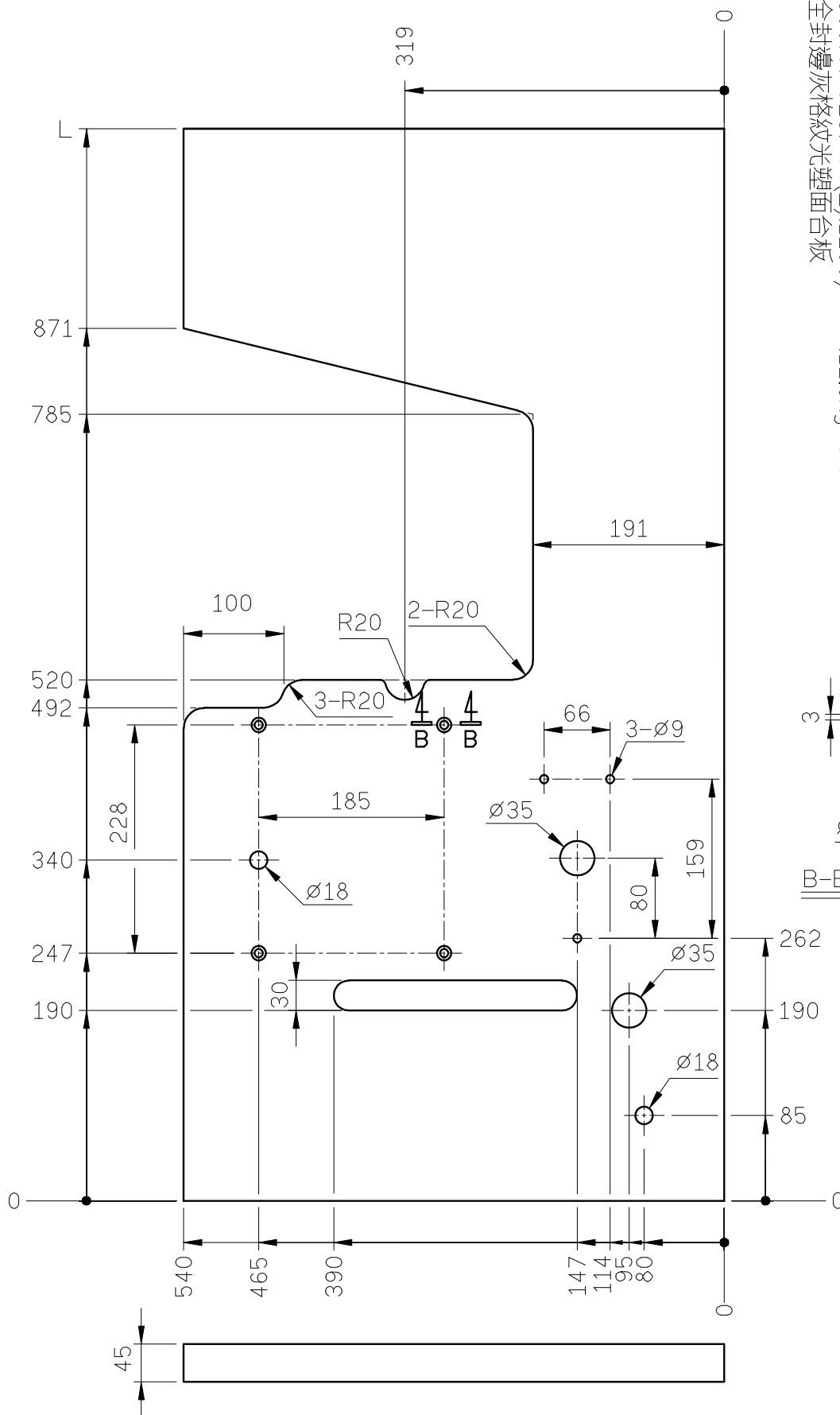
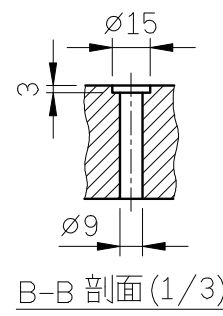
5

<b>SIRUBA</b> <b>TABLE</b> <b>CUT - OUT</b>	<b>Series</b>	<b>Item Code</b>	<b>Subclass / Remark</b>	<b>Mounting</b>
	C007K/C007KD C858K/C858KD S007K/S007KD	<b>C007K-T23</b>	For All Series	Semi-submerged
				<b>Date</b> 2013/01/26



SIRUBA TABLE CUT - OUT	Series	Item Code	Subclass / Remark	Mounting
	C007K/C007KD C858K/C858KD S007K/S007KD	C007K-T25	For All Series excluding ① RLP,RLQ Celastic tape attaching ② CRL Models ③ Condensed stitch(CAR,CMR,SAR,SER--)	Non-submerged
				Date 2013/01/26

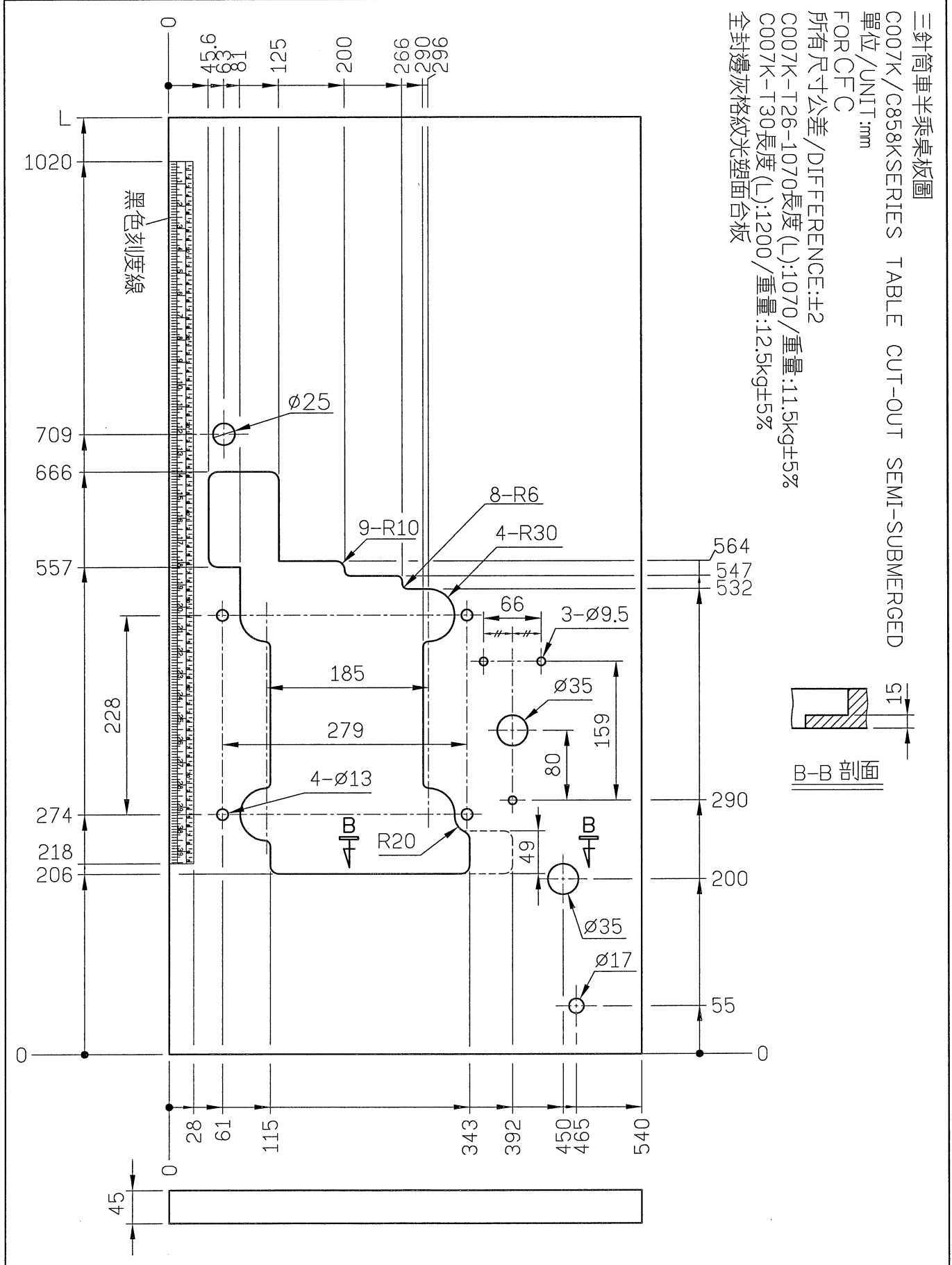
三針筒車上乘桌板圖  
C007K/C007KD/C858K/C858KD/S007K/S007KD SERIES TABLE CUT-OUT NON-SUBMERGED  
單位 / UNIT : mm  
FOR CRL:CRL/UTP.Q  
所有尺寸公差 / DIFFERENCE: ±2  
C007K-T25-1070長度(L):1070 / 重量:11.3kg±5%  
C007K-T25長度(L):1200 / 重量:12.3kg±5%  
全封邊灰格紋光塑面台板



- □ MY29K-E (直欄式不用)
- MY29K
- SK391\*3
- □ SM886-A1
- SM886\*4
- SK391\*2
- WM800\*4
- WM810\*4
- NM810\*4

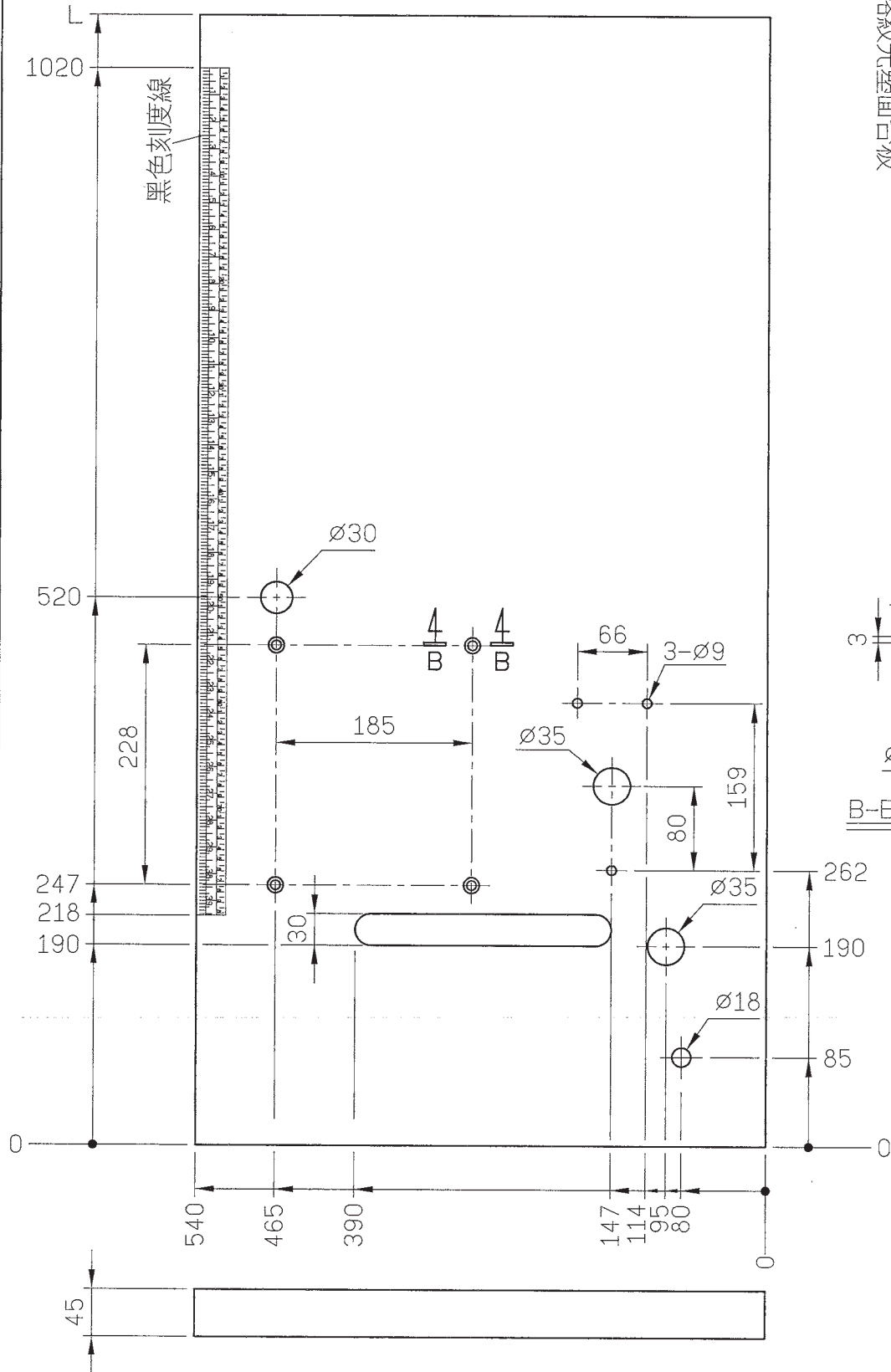
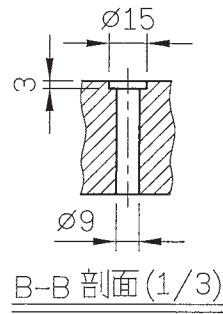


<b>SIRUBA</b> TABLE CUT - OUT	Series	Item Code	Subclass / Remark	Mounting
	C007K/C858K	C007K-T26	For CFC	Semi-submerged
				Date
				2015/11/27



<b>SIRUBA</b> TABLE CUT - OUT	Series	Item Code	Subclass / Remark	Mounting
	C007J/C007K	C007-T30		Non-submerged
				Date
				2016/10/03

三針筒車上乘桌板圖  
 C007J/C007K SERIES TABLE CUT-OUT NON-SUBMERGED  
 單位/UNIT:mm  
 FOR 印度客戶使用  
 所有尺寸公差/DIFFERENCE:±2  
 C007-T30-1070長度(L):1.070/重量:11.3kg±5%  
 C007-T30長度(L):1.200/重量:12.3kg±5%  
 全封邊灰格紋光塑面台板



**SIRUBA**

TABLE  
CUT - OUT

Series

C007K

Item Code

C007K-T32

Subclass / Remark

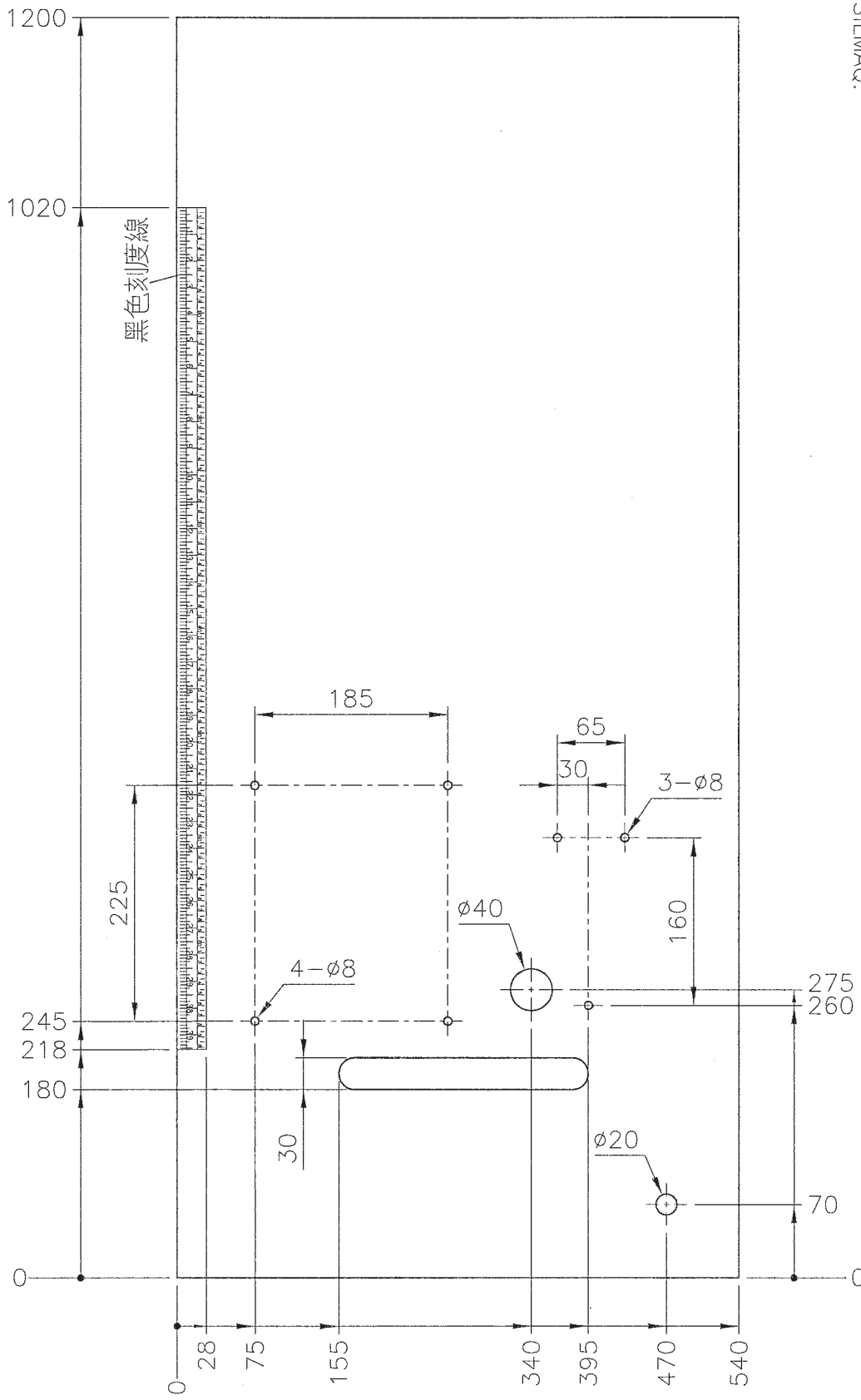
Mounting

Non-submerged

Date

2017/08/22

三針筒車上乘式桌板  
C007K SERIES TABLE CUT-OUT NON-SUBMERGED  
單位/UNIT:MM  
FOR一般車及自動切線  
所有尺寸公差/DIFFERENCE:±2  
全封邊灰格紋光塑面台板  
for SILMAQ.



**SIRUBA**

TABLE  
CUT - OUT

Series

C007KD

Item Code

C007K-T33

Subclass / Remark

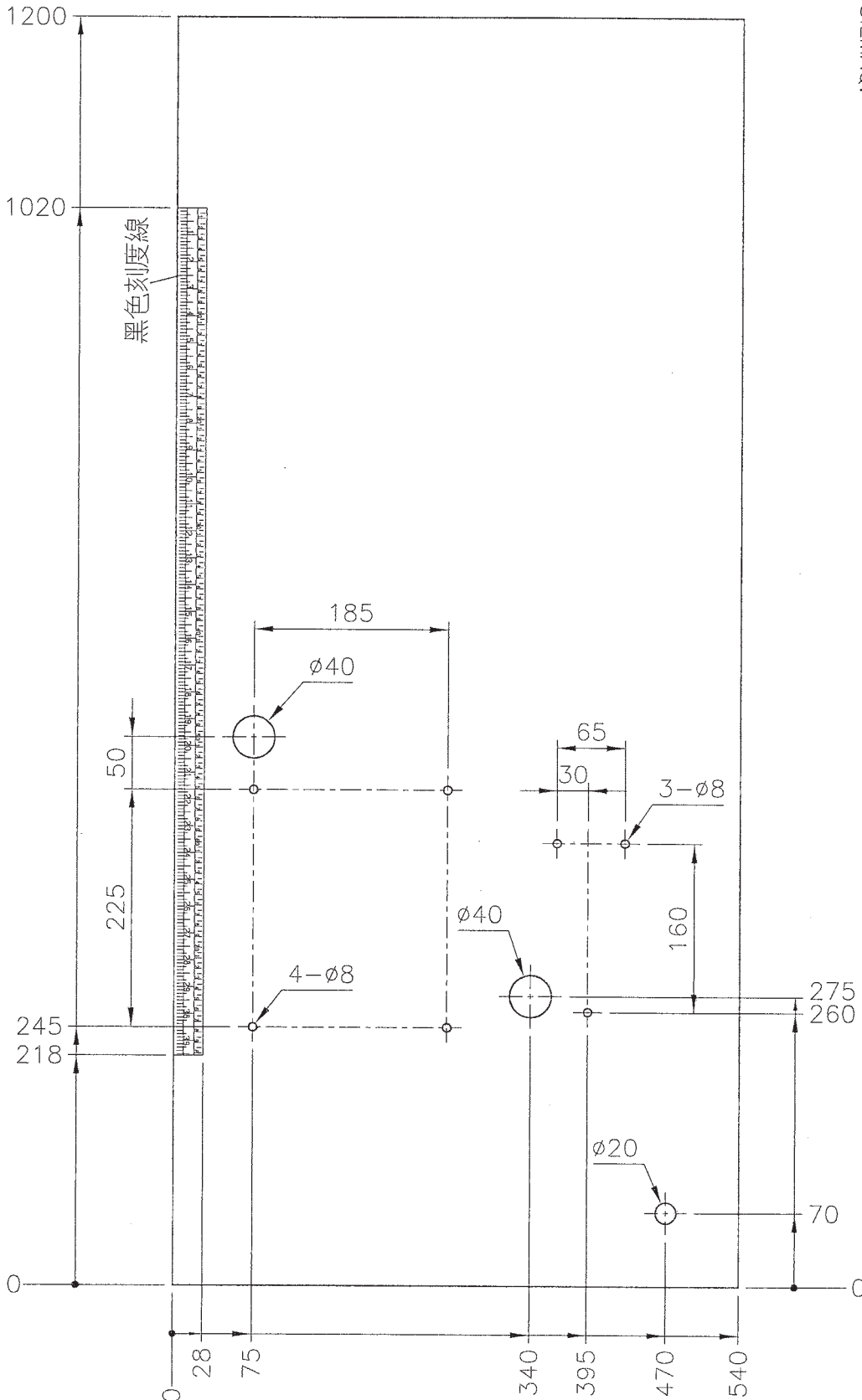
Mounting

Non-submerged

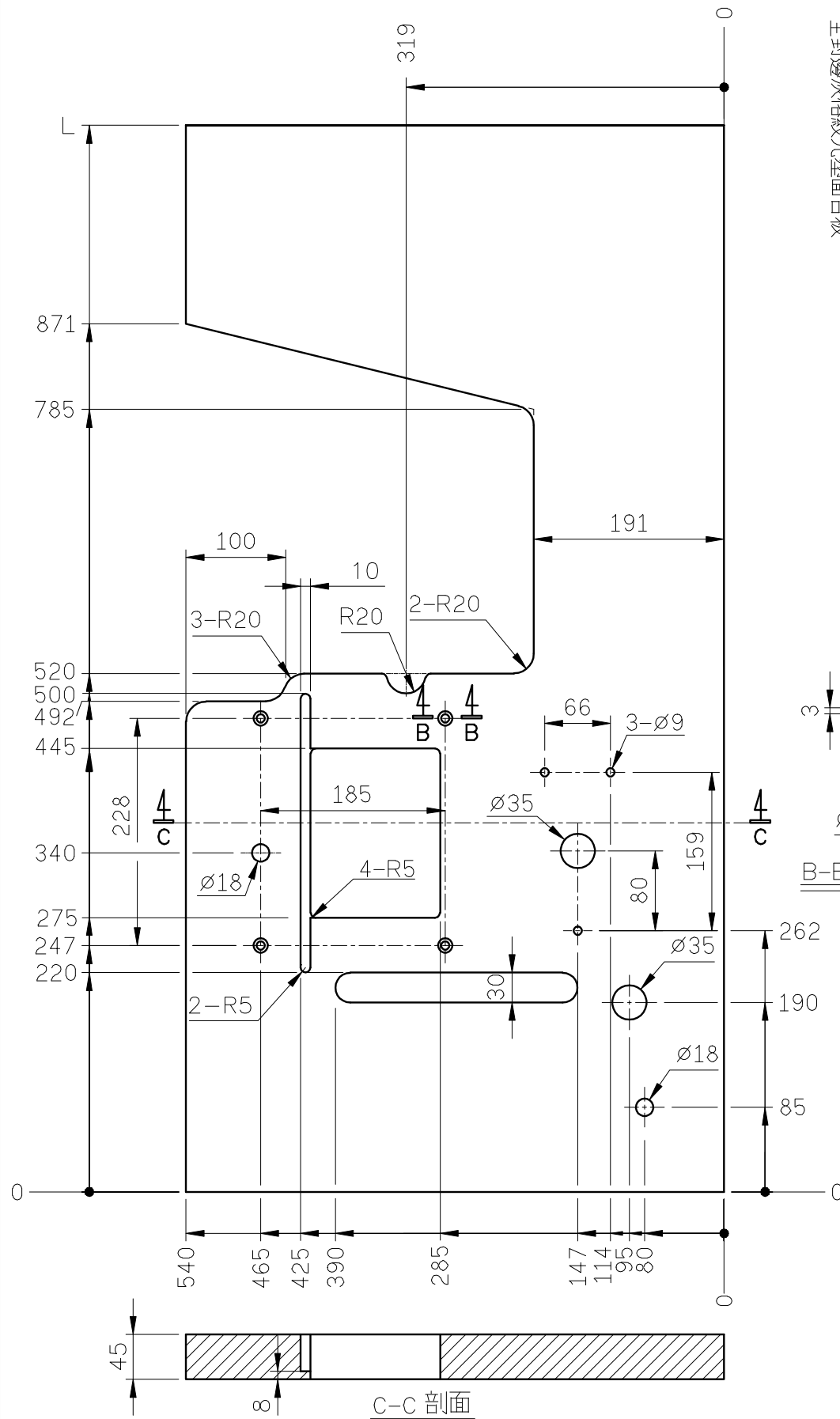
Date

2017/08/22

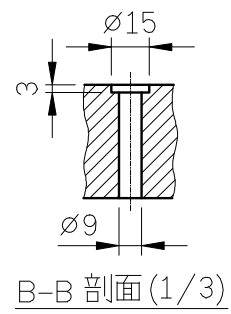
三針筒車上乘式桌板  
C007KD SERIES TABLE CUT-OUT NON-SUBMERGED  
單位/UNIT:MM  
FOR一般車及自動切線  
所有尺寸公差/DIFFERENCE:±2  
全封邊灰格紋光塑面台板  
for SILMAQ.



<b>SIRUBA</b> TABLE CUT - OUT	Series	Item Code	Subclass / Remark	Mounting
	<b>C007KP</b>	<b>C007KP-T25</b>		Non-submerged
				Date
				2019/11/28



三針筒串上乘式桌板  
 C007KP SERIES TABLE CUT-OUT Non-submerged  
 單位/UNIT:MM  
 FOR 一般串/CR/CRL/UT特殊串  
 所有尺寸公差/DIFFERENCE:±2  
 長度(L): 1070mm/1200mm  
 全封邊灰格紋光塑面台板



- □ MY29K-E (直腳式不用)
- MY29K
- SK391\*3
- □ SM886-A1
- SM886\*4
- SK391\*2
- WM800\*4
- WM810\*4
- NM810\*4