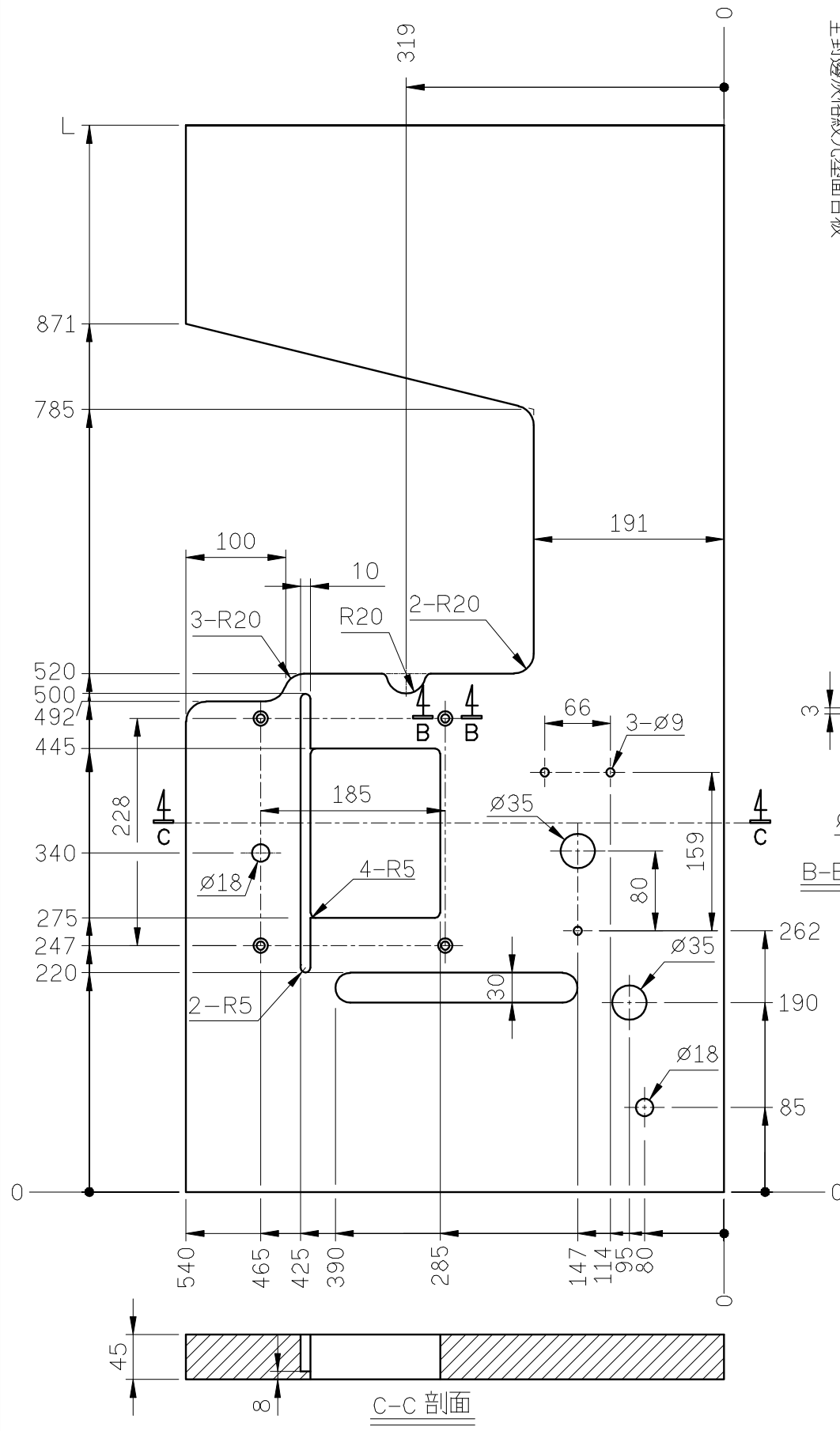
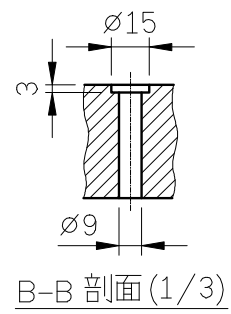


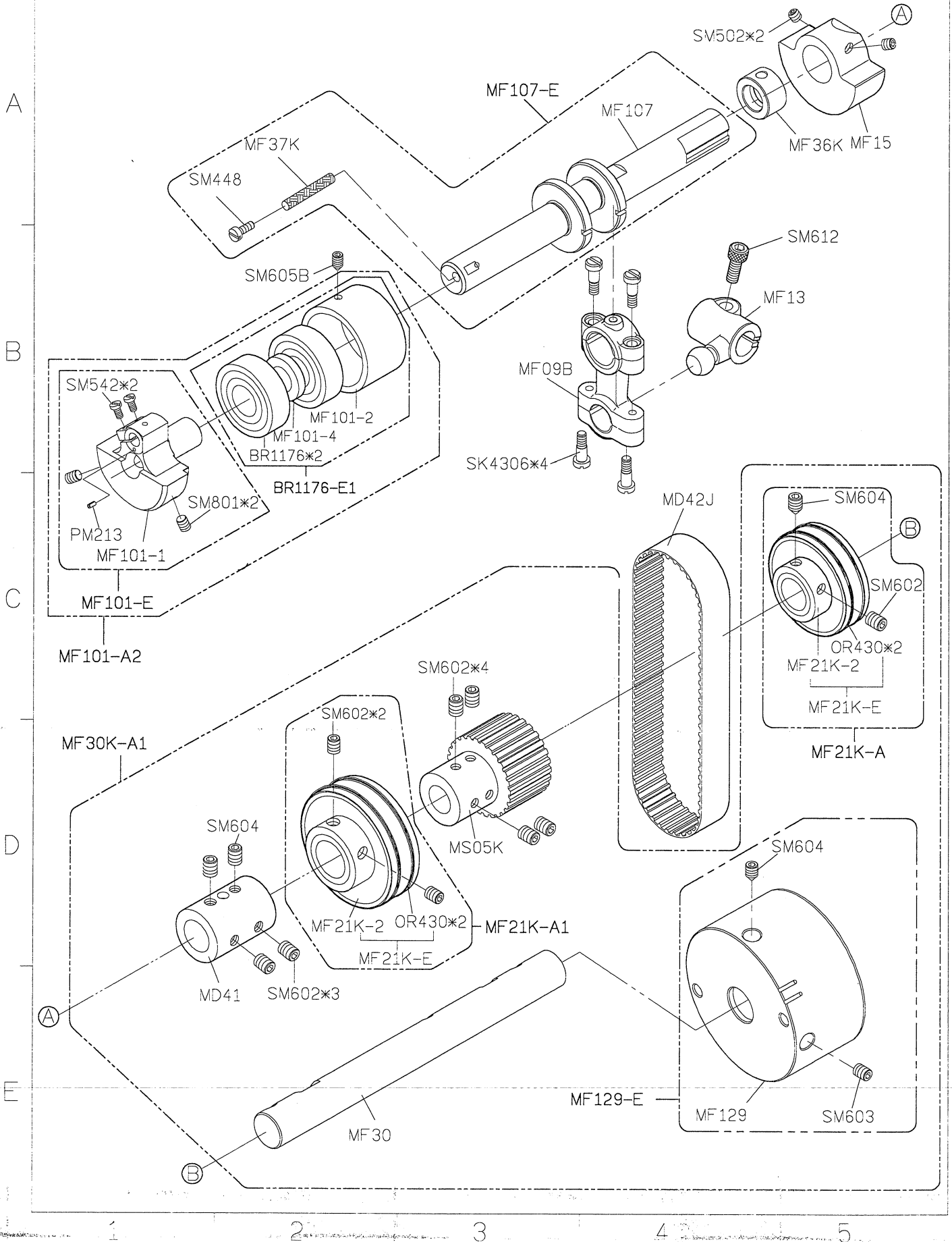
<b>SIRUBA</b> TABLE CUT - OUT	Series	Item Code	Subclass / Remark	Mounting
	<b>C007KP</b>	<b>C007KP-T25</b>		Non-submerged
				Date
				2019/11/28



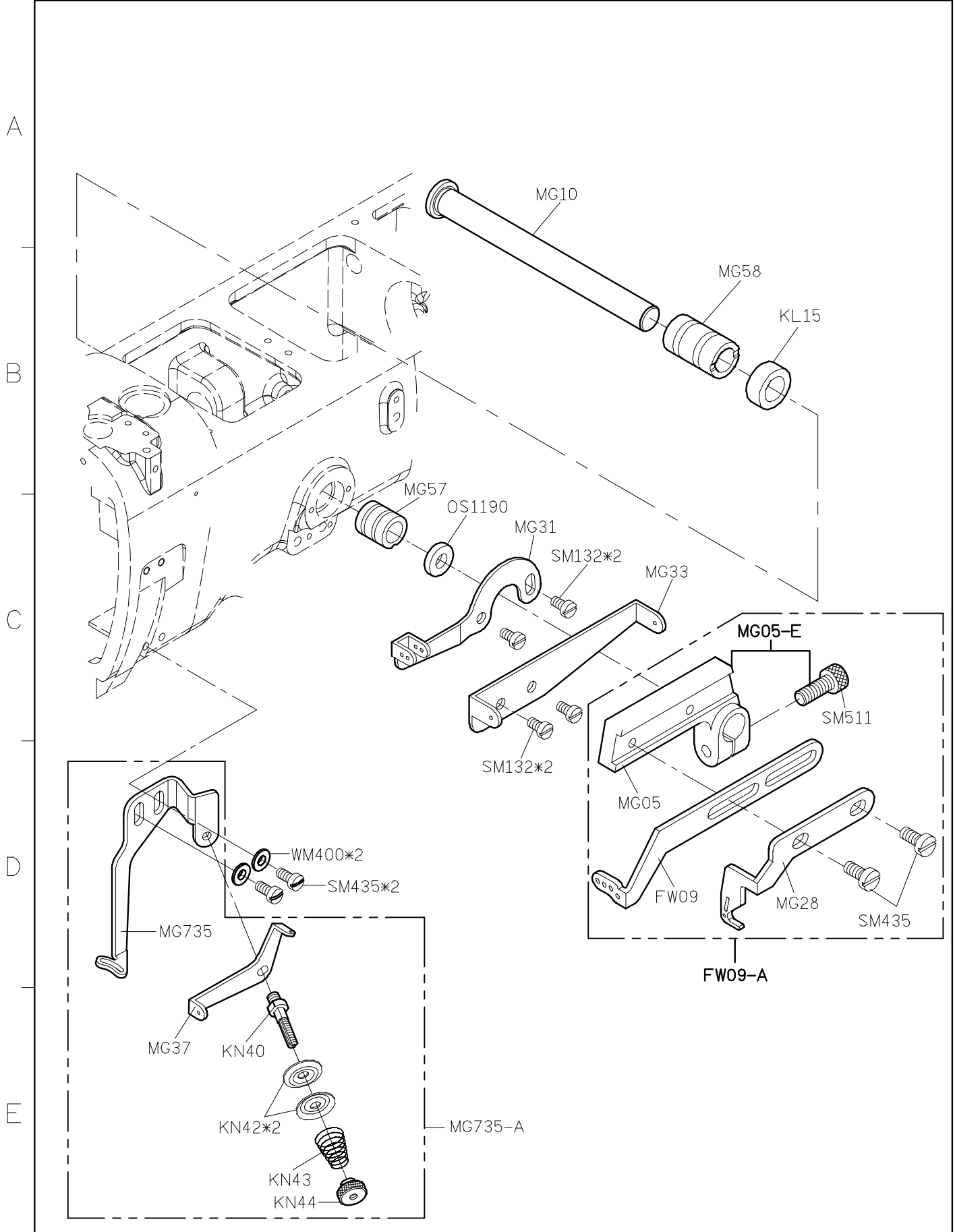
三針筒串上乘式桌板  
 C007KP SERIES TABLE CUT-OUT Non-submerged  
 單位/UNIT:MM  
 FOR 一般串/CR/CRL/UT特殊串  
 所有尺寸公差/DIFFERENCE:±2  
 長度(L): 1070mm/1200mm  
 全封邊灰格紋光塑面台板



- □ MY29K-E (直欄式不用)
- MY29K
- SK391\*3
- □ SM886-A1
- SM886\*4
- SK391\*2
- WM800\*4
- WM810\*4
- NM810\*4



SIRUBA PARTS LIST	Series	Parts Group	Subclass / Remark	Page
	C007K/C007KD	MG-K		1/1
	C007KP/C858K			Date
				2020/4/23



1

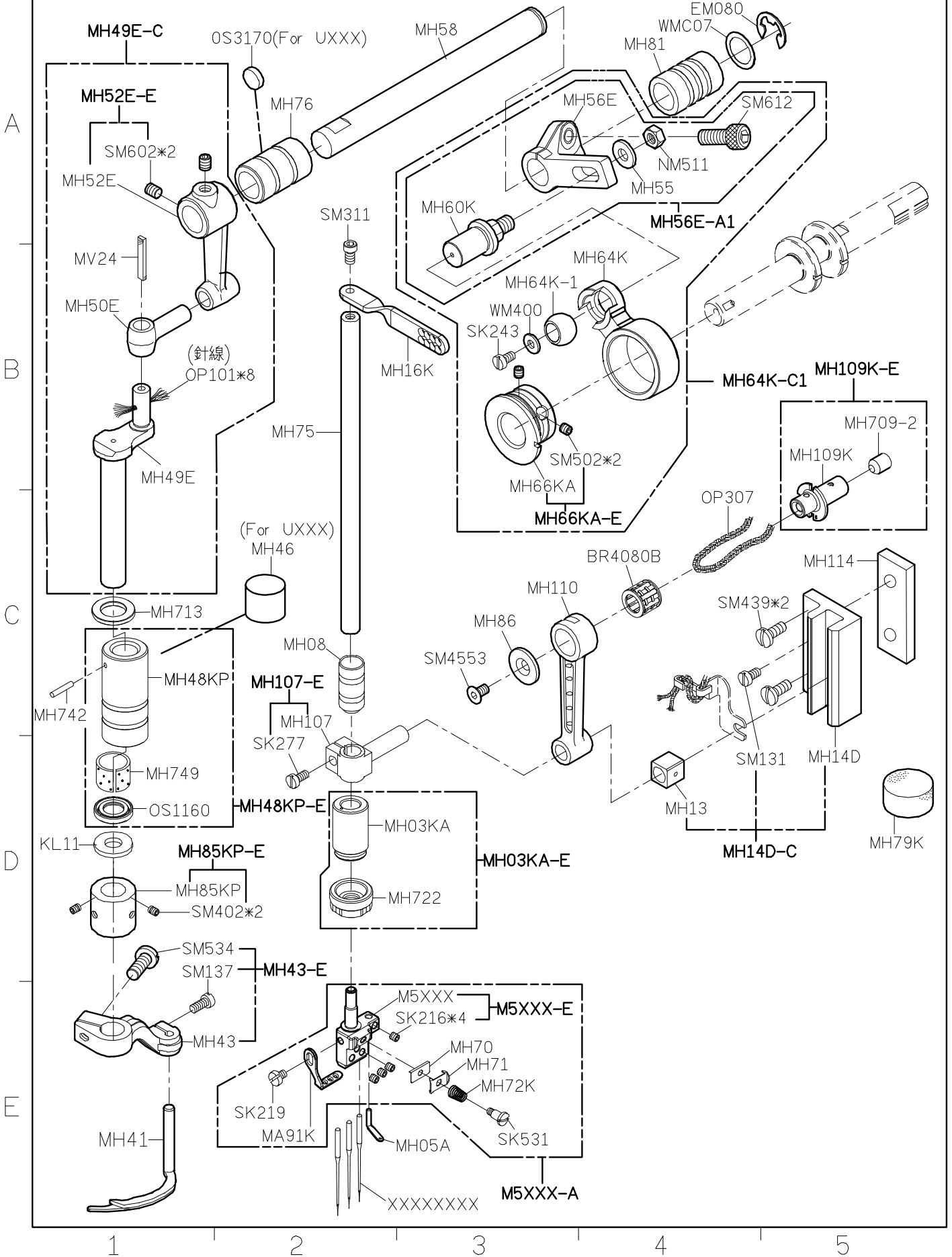
2

3

4

5

SIRUBA PARTS LIST	Series	Parts Group	Subclass / Remark	Page
	C007KP	MH-K		1/1
				Date
				2020/02/17



**SIRUBA**

PARTS LIST

Series  
C007K/C007KD  
C007JP/C007KP  
C858K

Parts Group  
**MJ-K**

Subclass / Remark

Page

1/1

Date

2018/10/30

組件代號	零件內容
MJ35K-A1	MJ35K/MJ38/NM610 MJ54K/SM492
MJ35K-A3	MJ35K/MJ38/NM610

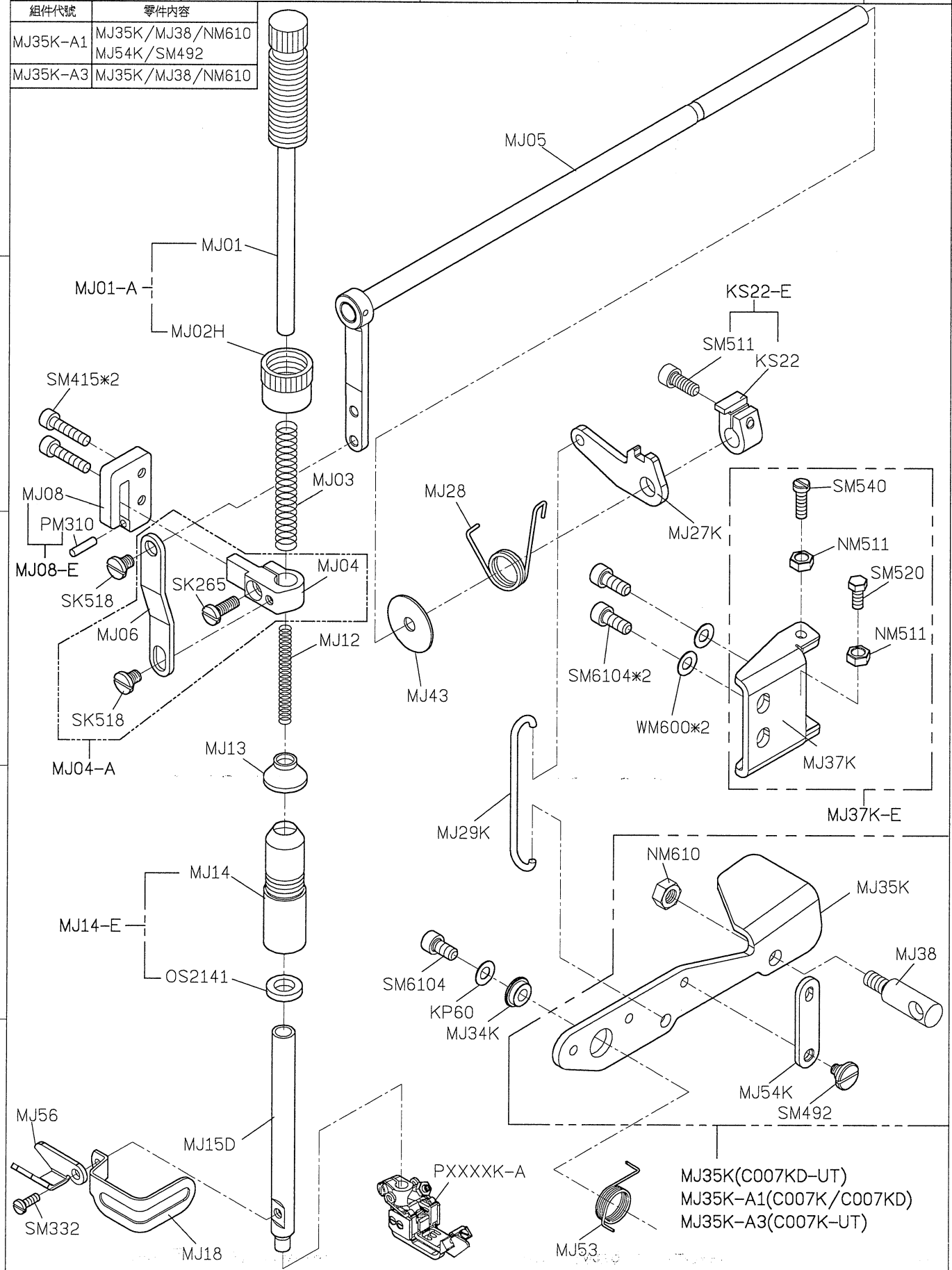
A

B

C

D

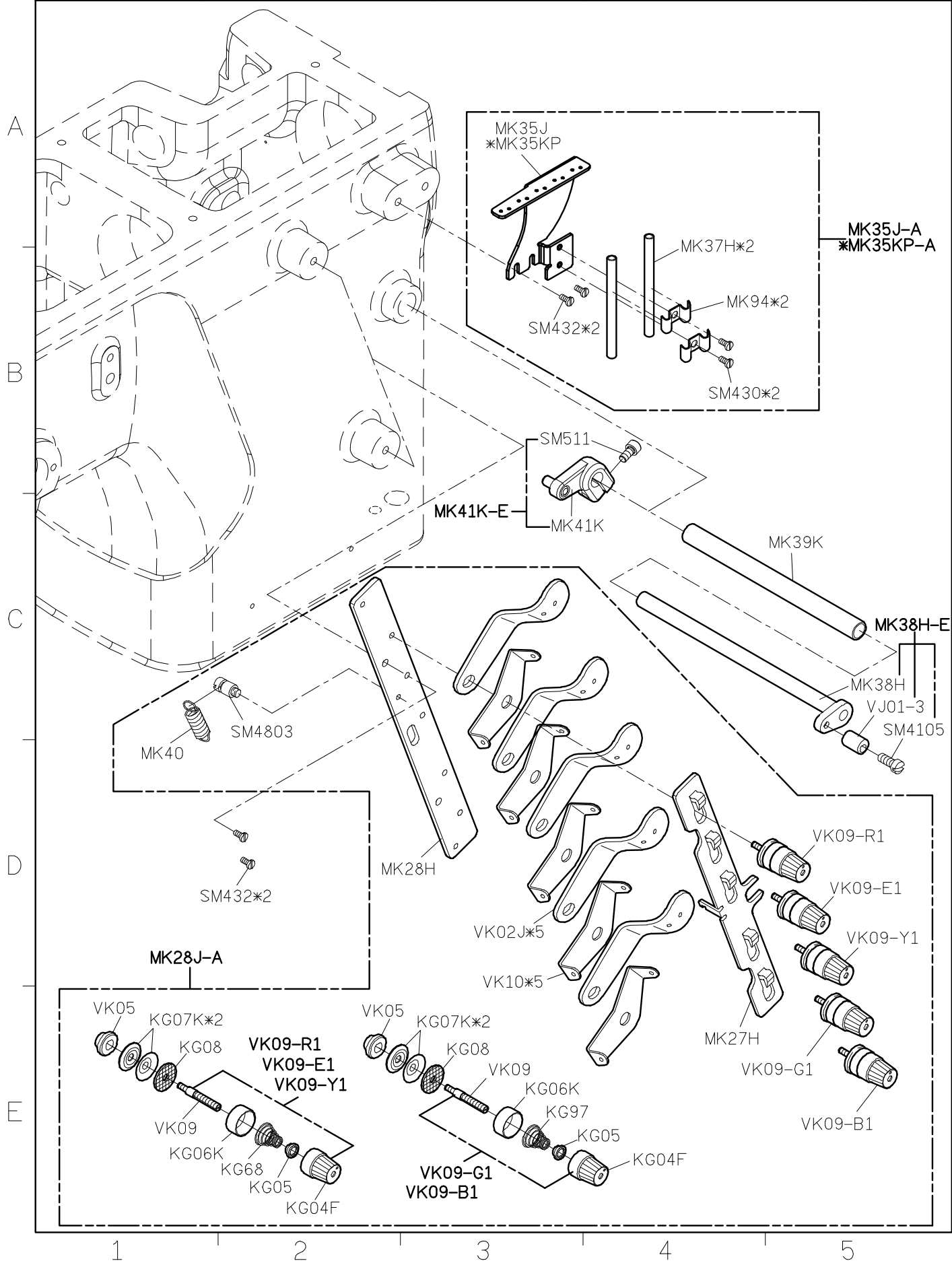
E



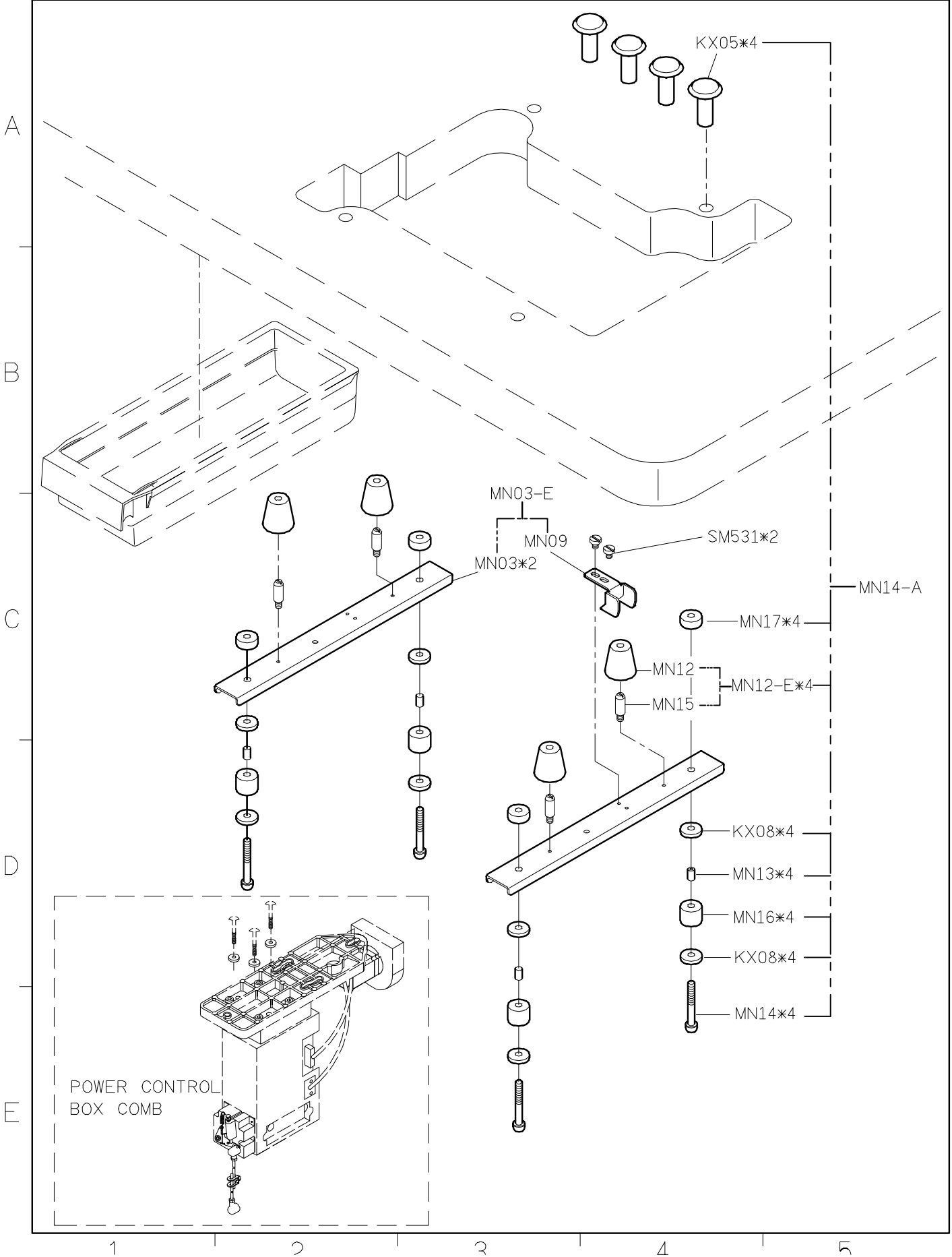
MJ35K(C007KD-UT)  
MJ35K-A1(C007K/C007KD)  
MJ35K-A3(C007K-UT)

1 2 3 4 5

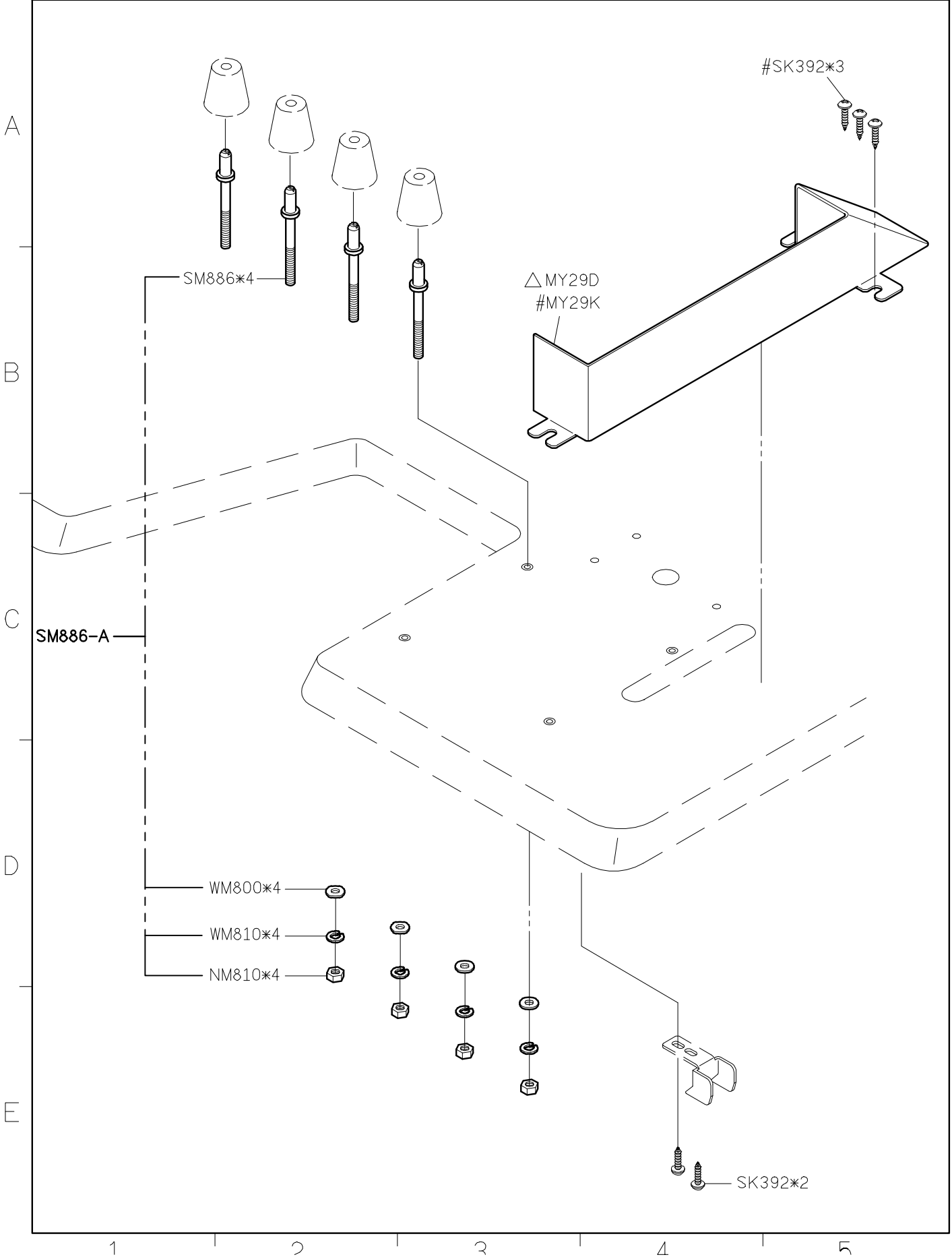
<b>SIRUBA</b> PARTS LIST	Series	Parts Group	Subclass / Remark	Page
	<b>C007K/C007KD</b>	<b>MK-K</b>	*:Use for C007KP	1/1
	<b>C007JP/C007KP</b>			
	<b>C858K</b>			
				Date
				2020/3/20



SIRUBA PARTS LIST	Series	Parts Group	Subclass / Remark	Page
	C007K/C007KD	MN-K		1/3
	C007JP/C007KP			Date
	C858K			2019/08/08

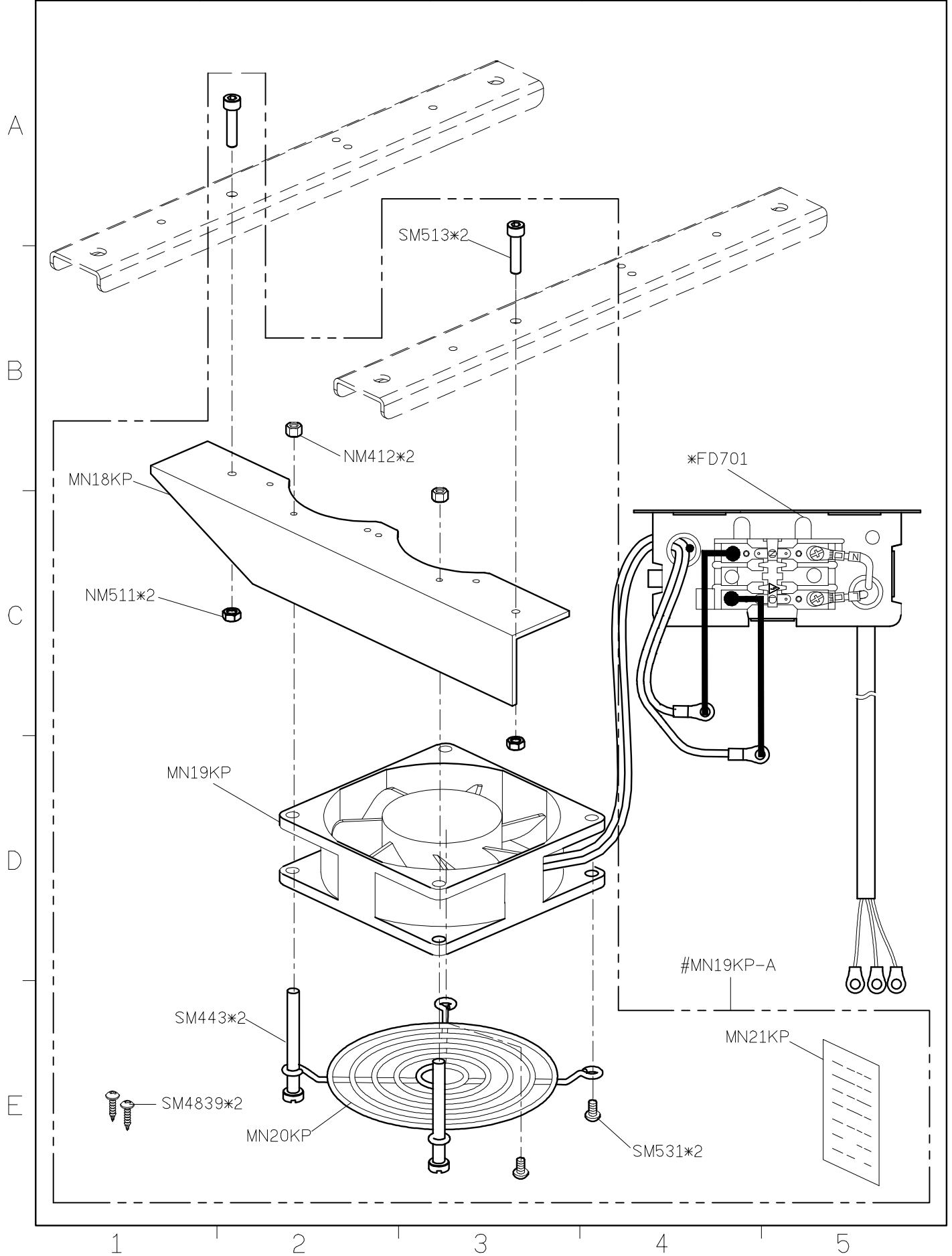


SIRUBA PARTS LIST	Series	Parts Group	Subclass / Remark	Page
	C007K/C007KD	MN-K	△ Use for C007JP	2/3
	C007JP/C007KP			Date
	C858K			2019/08/08

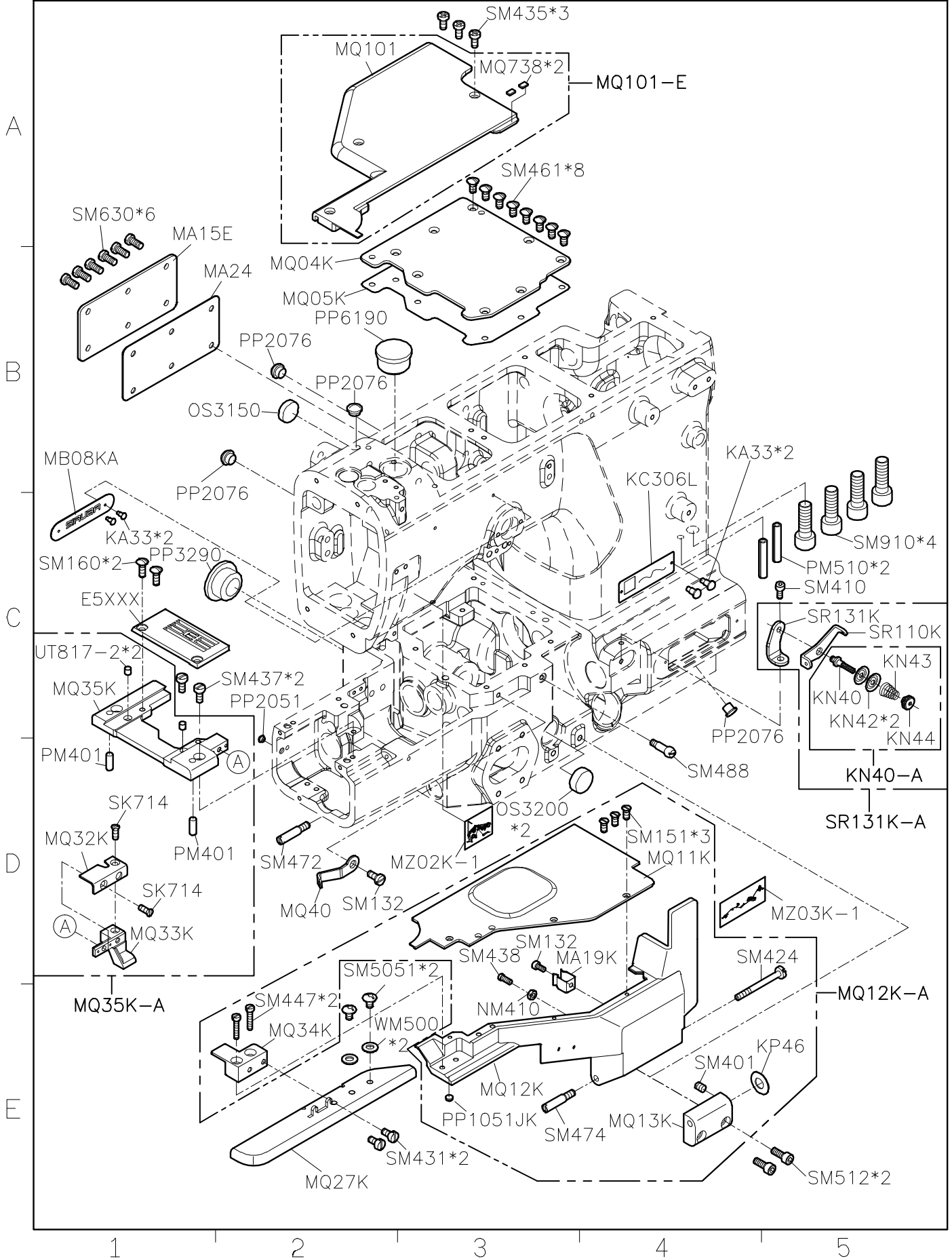




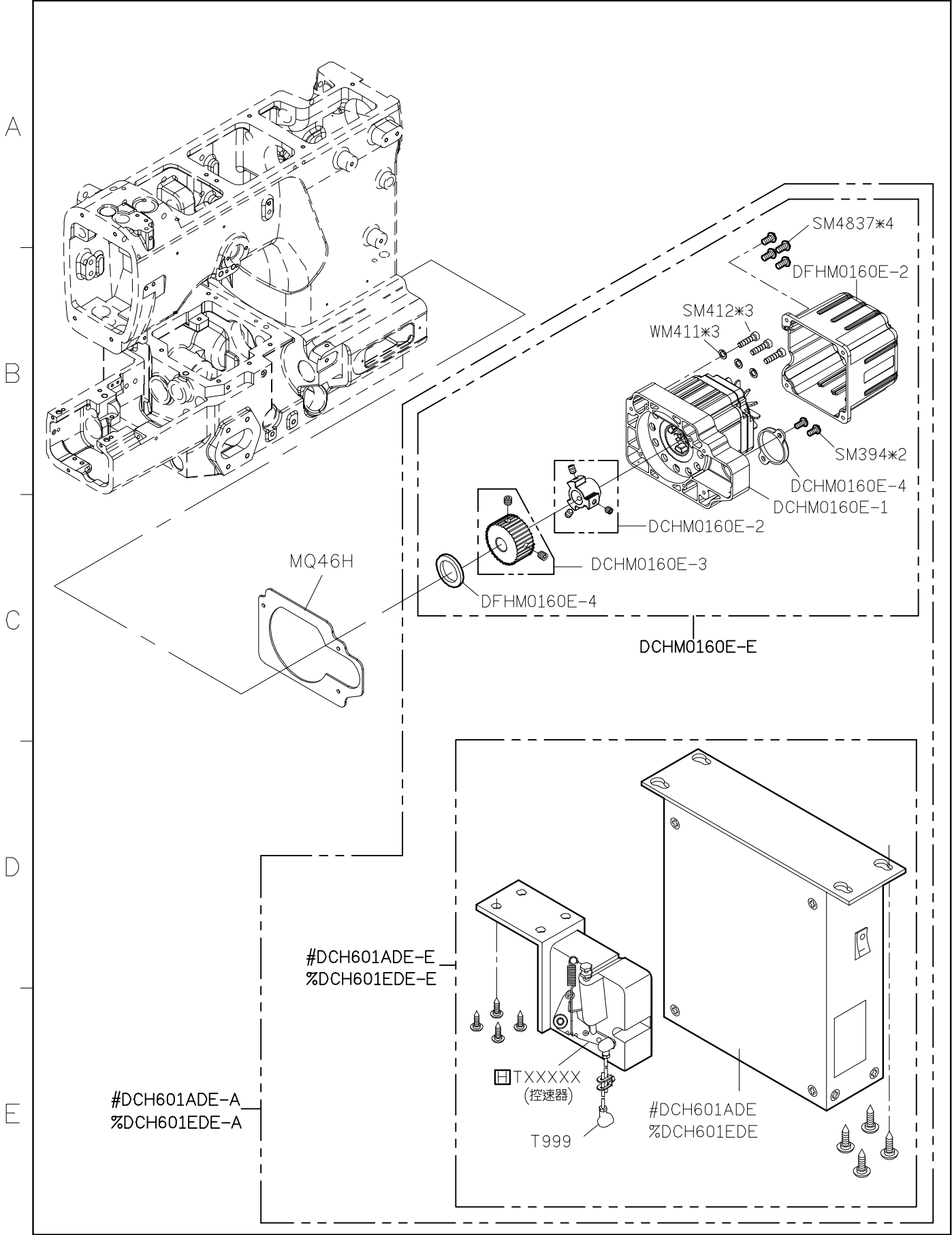
SIRUBA PARTS LIST	Series	Parts Group	Subclass / Remark	Page
	C007KP	MN-K	*Use For Direct-Drive Motor ( P牌 /U牌) #For Option	3/3
				Date 2020/4/28



SIRUBA PARTS LIST	Series	Parts Group	Subclass / Remark	Page
	C007K/C007KD	MQ-K		1/5
	C007KP/C858K			Date
				2018/10/16



SIRUBA PARTS LIST	Series	Parts Group	Subclass / Remark	Page
	C007KD/C007KP	MQ-K	For Direct-Drive Motor (H牌) #For Pneumatic Automatic %For Electric Automatic	2/5
				Date
				2020/9/4



1

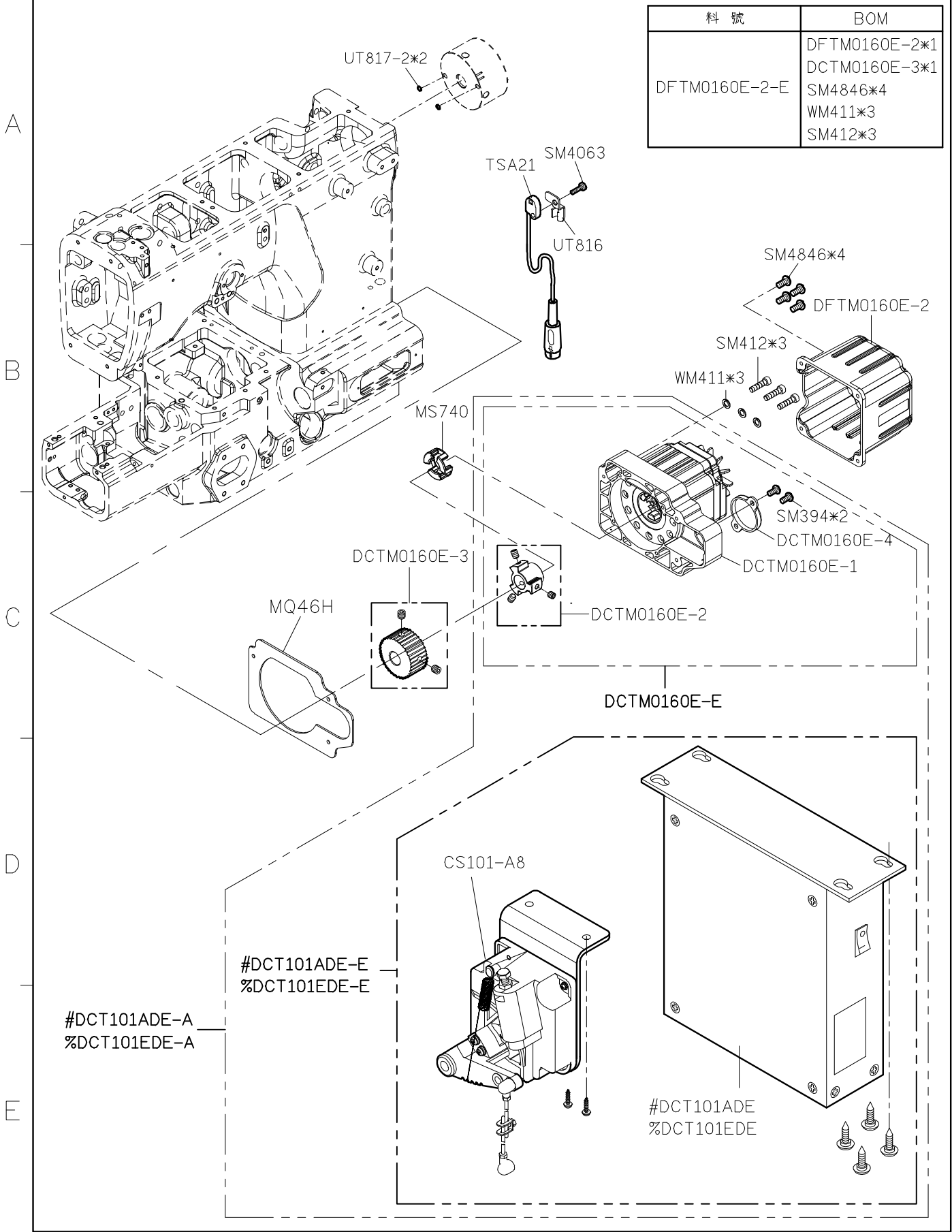
2

3

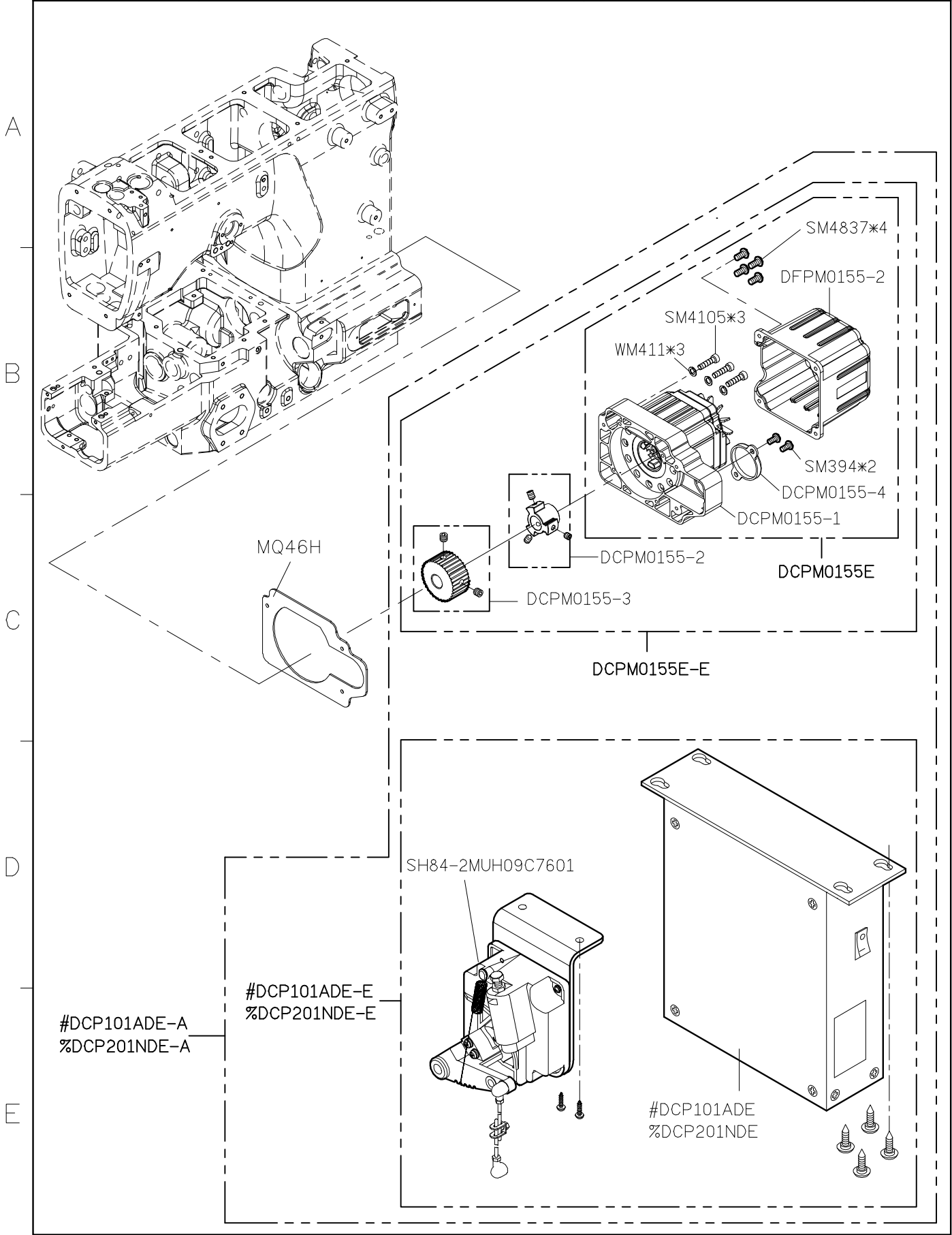
4

5

<b>SIRUBA</b> <b>PARTS LIST</b>	<b>Series</b>	<b>Parts Group</b>	<b>Subclass / Remark</b>	<b>Page</b>
	C007KD/C007KP	MQ-K	For Direct-Drive Motor ( T牌 ) #For Pneumatic Automatic %For Electric Automatic	3/5
				Date
				2020/9/4

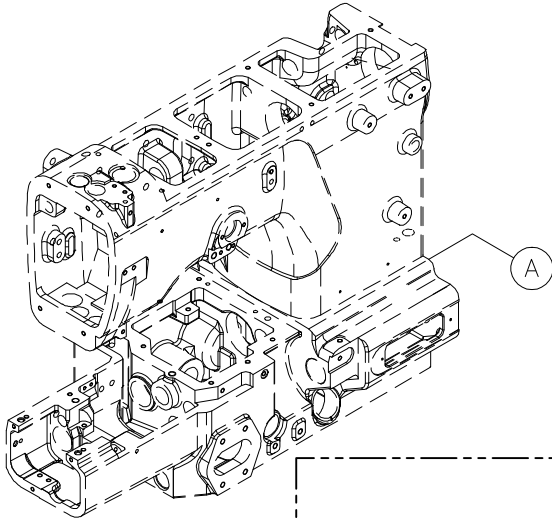


SIRUBA PARTS LIST	Series	Parts Group	Subclass / Remark	Page
	C007KD/C007KP	MQ-K	For Direct-Drive Motor (P牌) #For Pneumatic Automatic %For Electric Automatic	4/5
				Date 2020/9/4



SIRUBA PARTS LIST	Series	Parts Group	Subclass / Remark	Page
	C007KD/C007KP	MQ-K	For Direct-Drive Motor (U牌)	5/5
				Date 2020/9/4

A

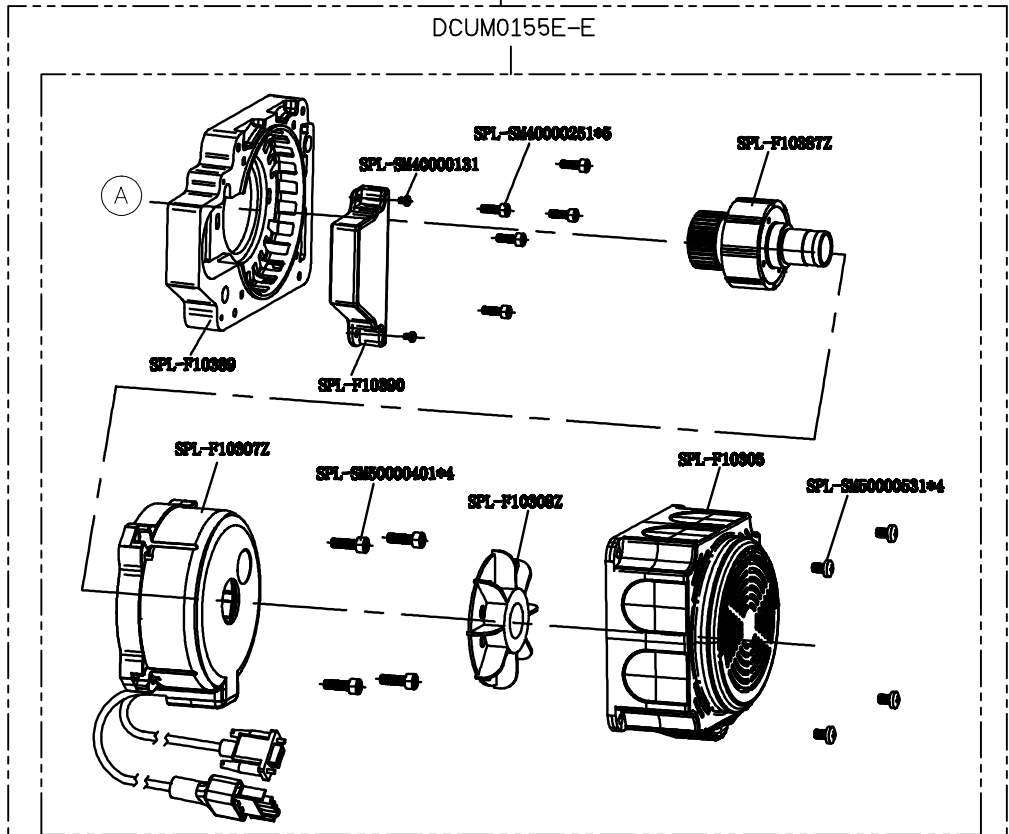


B

DCU501NDE-A

DCUM0155E-E

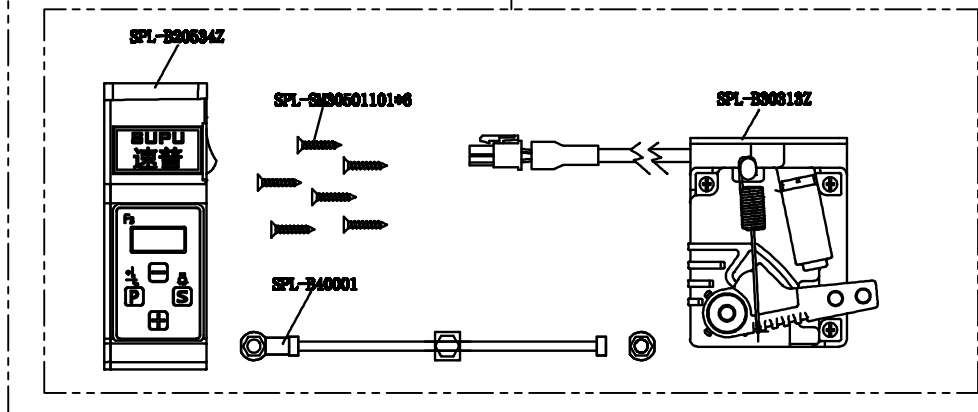
C



D

DCU501NDE-E

E



1

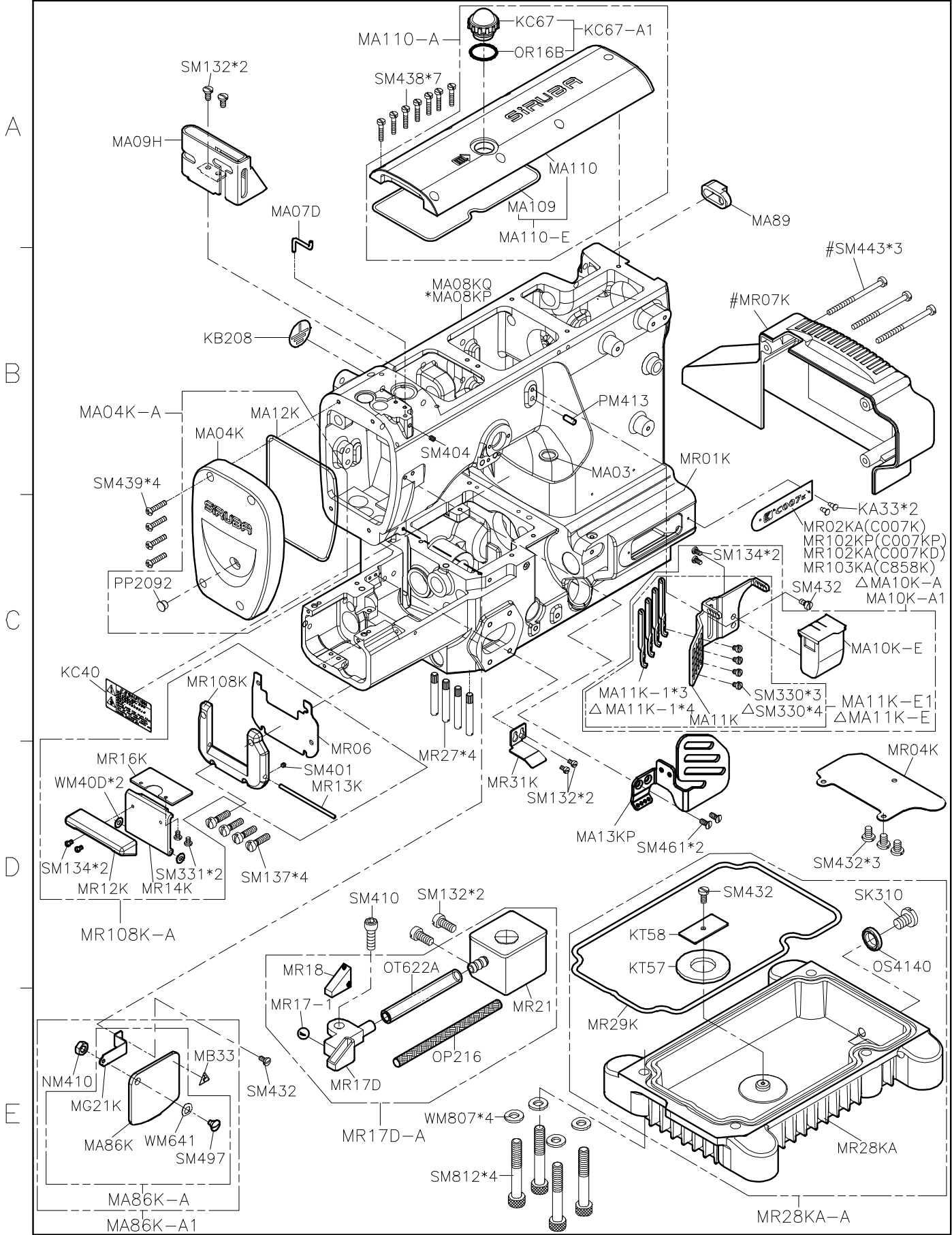
2

3

4

5

SIRUBA PARTS LIST	Series	Parts Group	Subclass / Remark	Page
	C007K/C007KP C007KD/C858K	MR	△ : Use for CW # : Use for C007K/C858K * : Use for C007KP	1/1
				Date 2020/9/1



**SIRUBA**

**PARTS LIST**

**Series**

**C007KP**

**Parts Group**

**MS-K**

**Subclass / Remark**

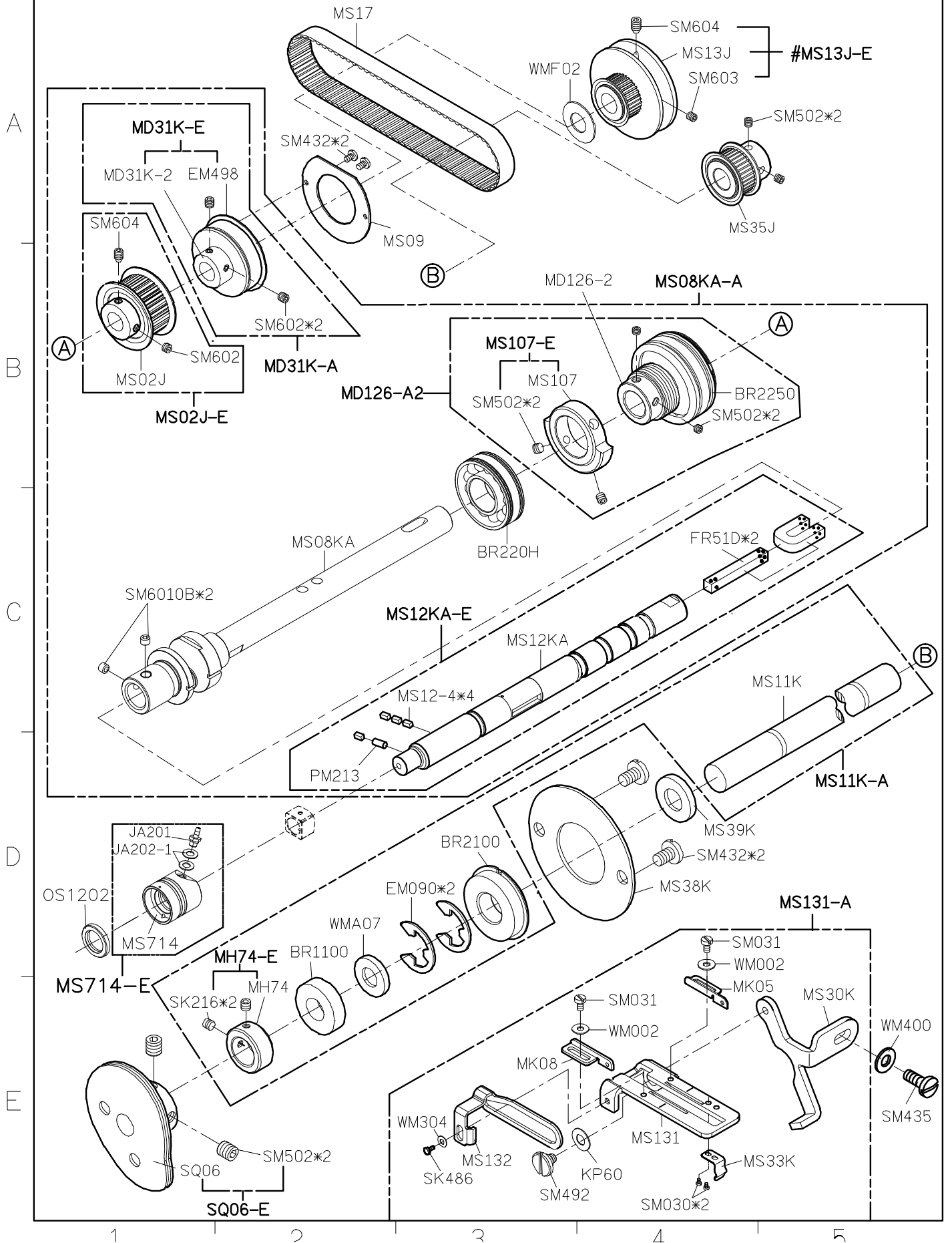
**\*: Use for Without Direct-Drive Motor**

**Page**

**1/1**

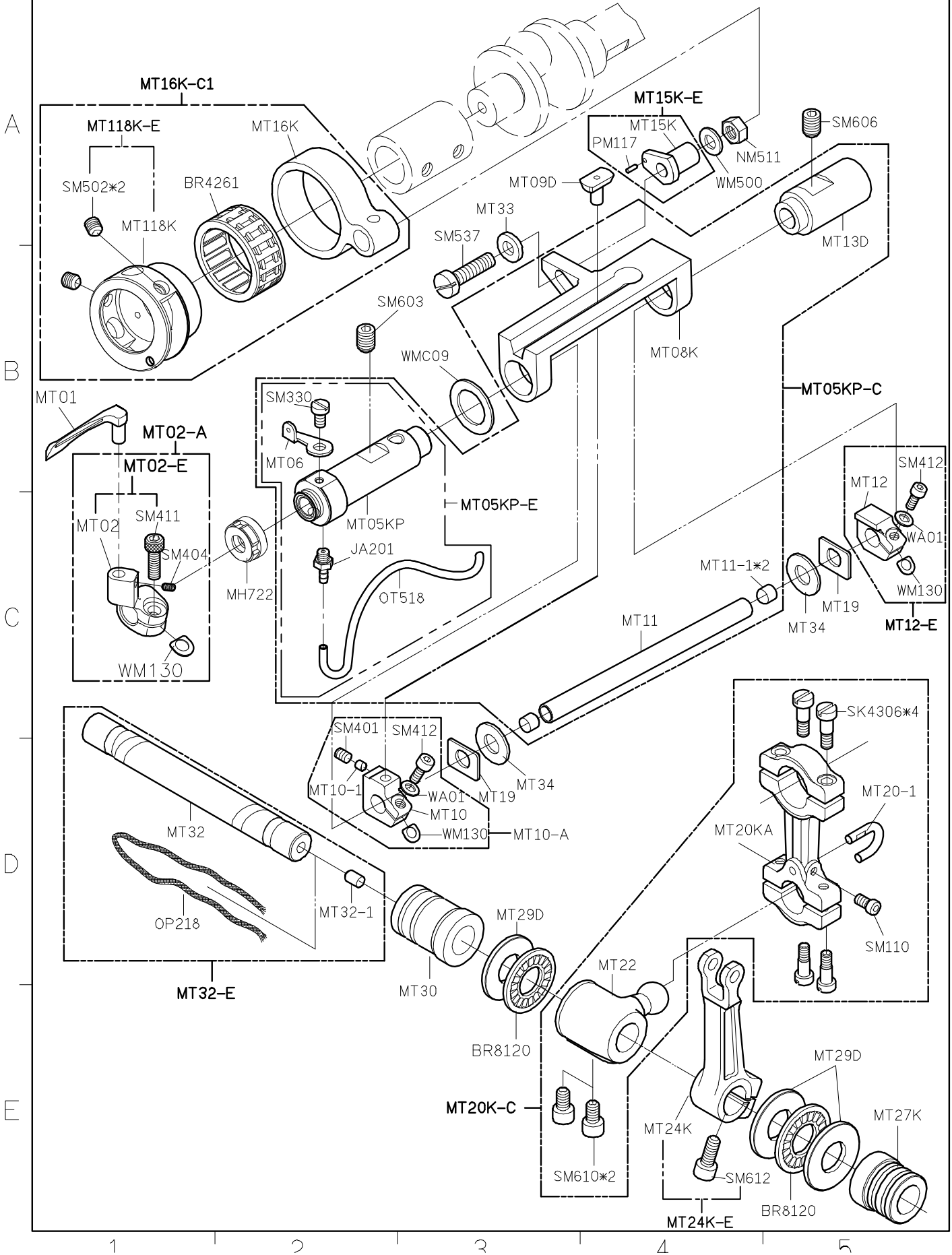
**Date**

**2019/12/19**





SIRUBA PARTS LIST	Series	Parts Group	Subclass / Remark	Page
	C007KP	MT-K		1/1
				Date
				2019/12/12



**SIRUBA**

PARTS LIST

Series

C007K/C007KD  
C007KP/C858K

Parts Group

**MU-K**

Subclass / Remark

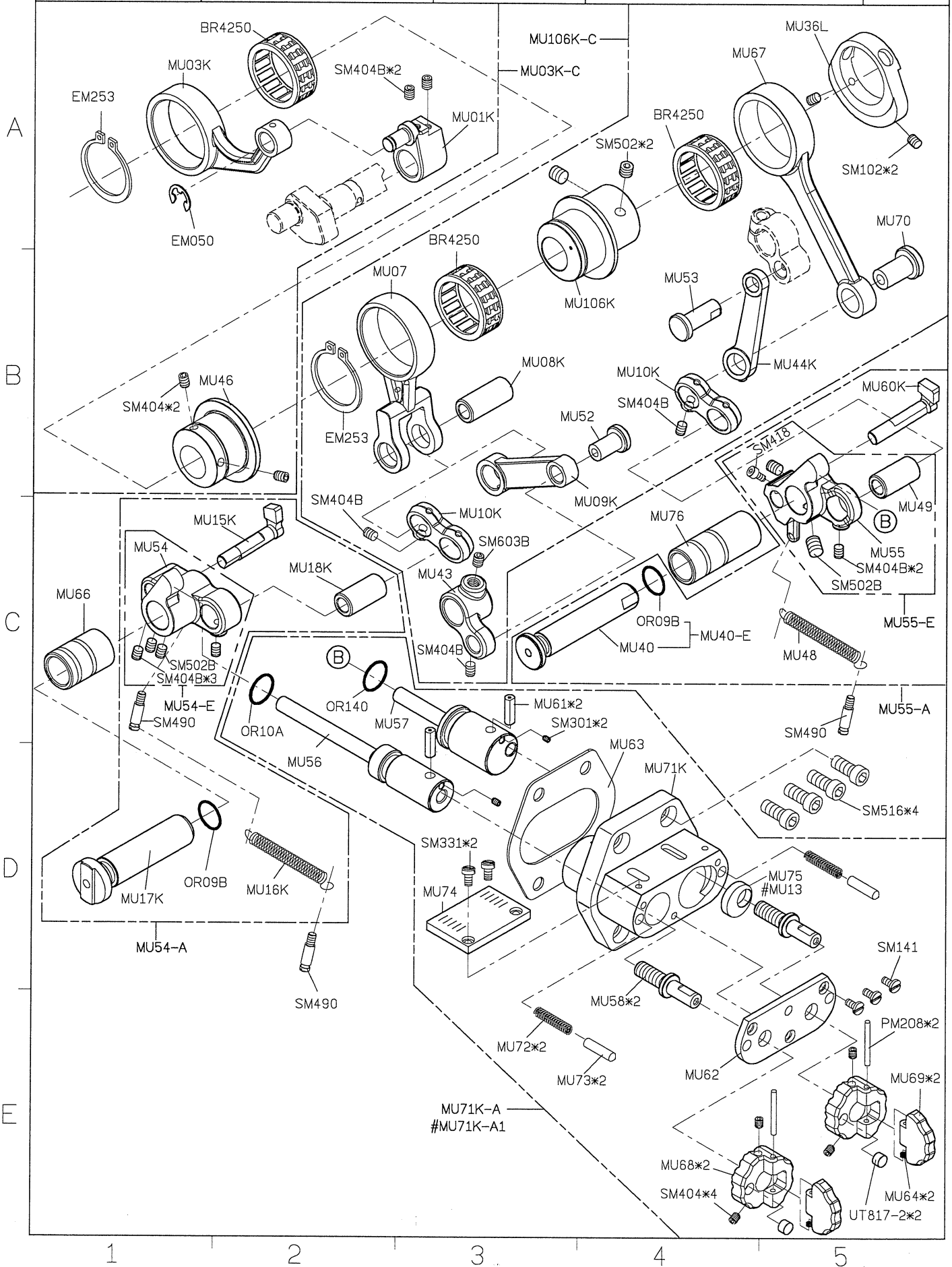
# : Use for CR/CRL

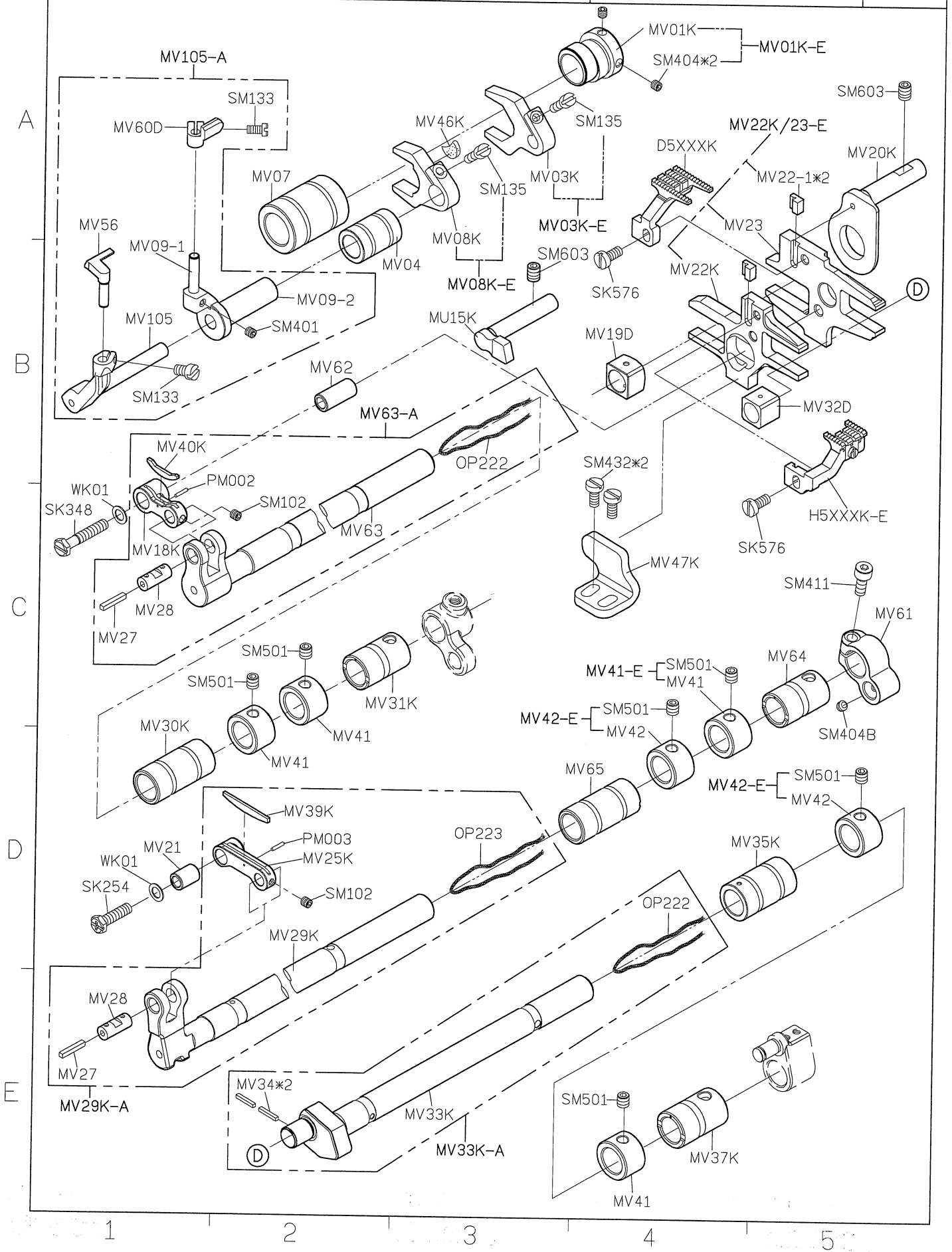
Page

1/1

Date

2018/10/16

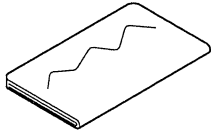






A

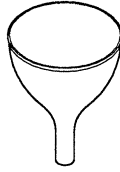
MY01



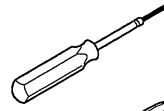
KY03



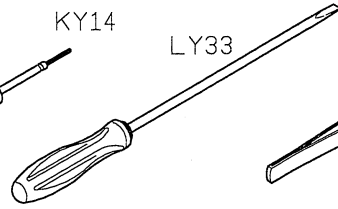
KY04



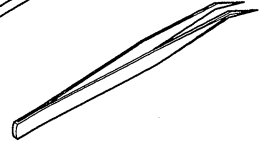
KY14



LY33



KY18

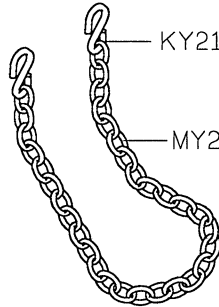


B

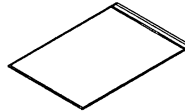
針\*5



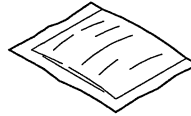
MY21-E



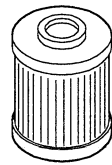
KY201JK



KZ03

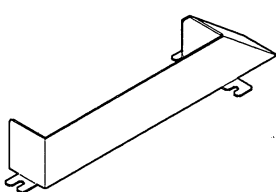


KT14-A

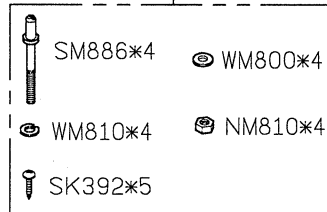


C

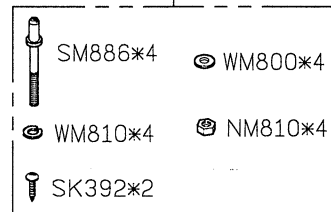
MY29K(C007K/C858K)



SM886-A(C007K/C858K)

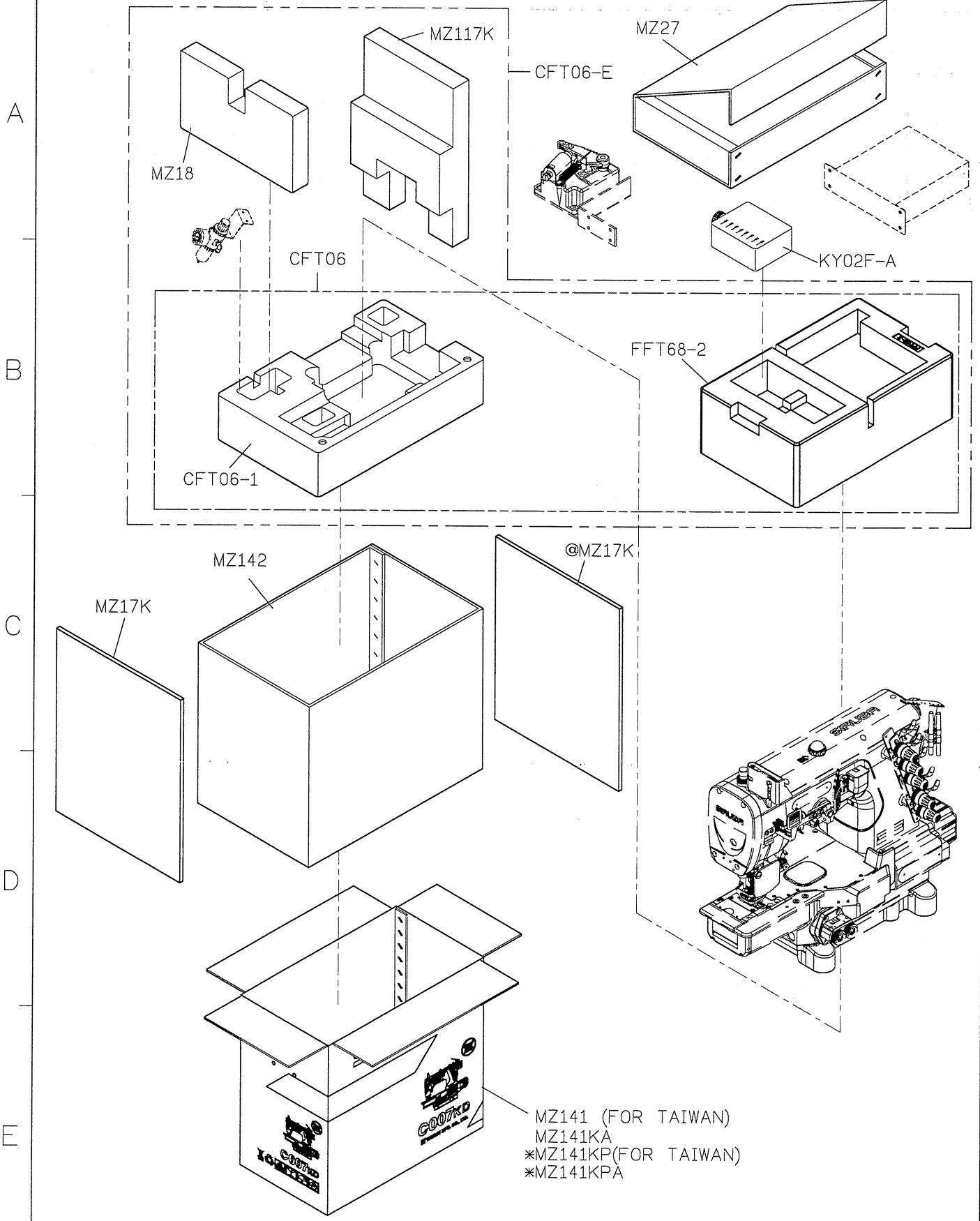


SM886-A1(C007KD/C007KP)

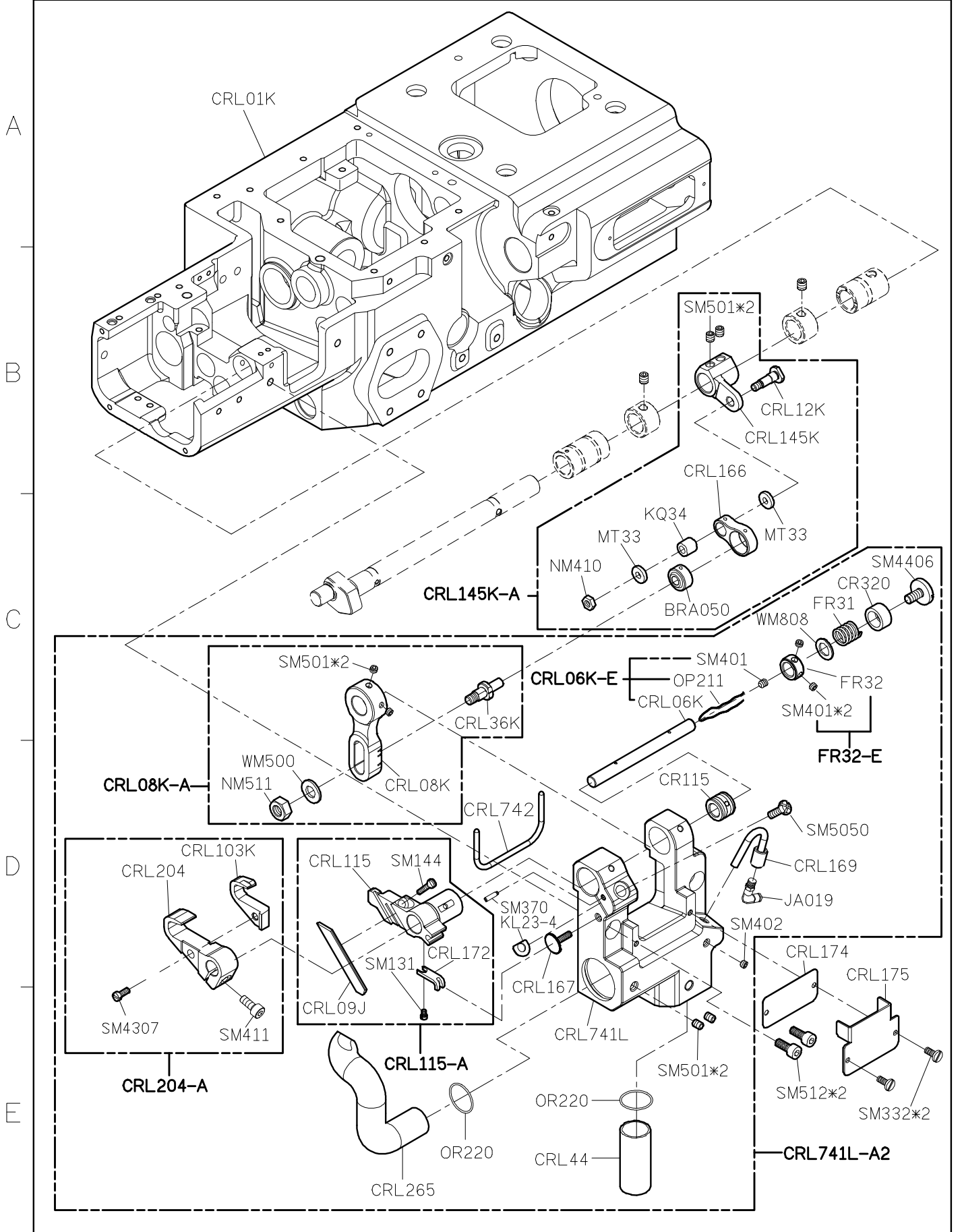


D

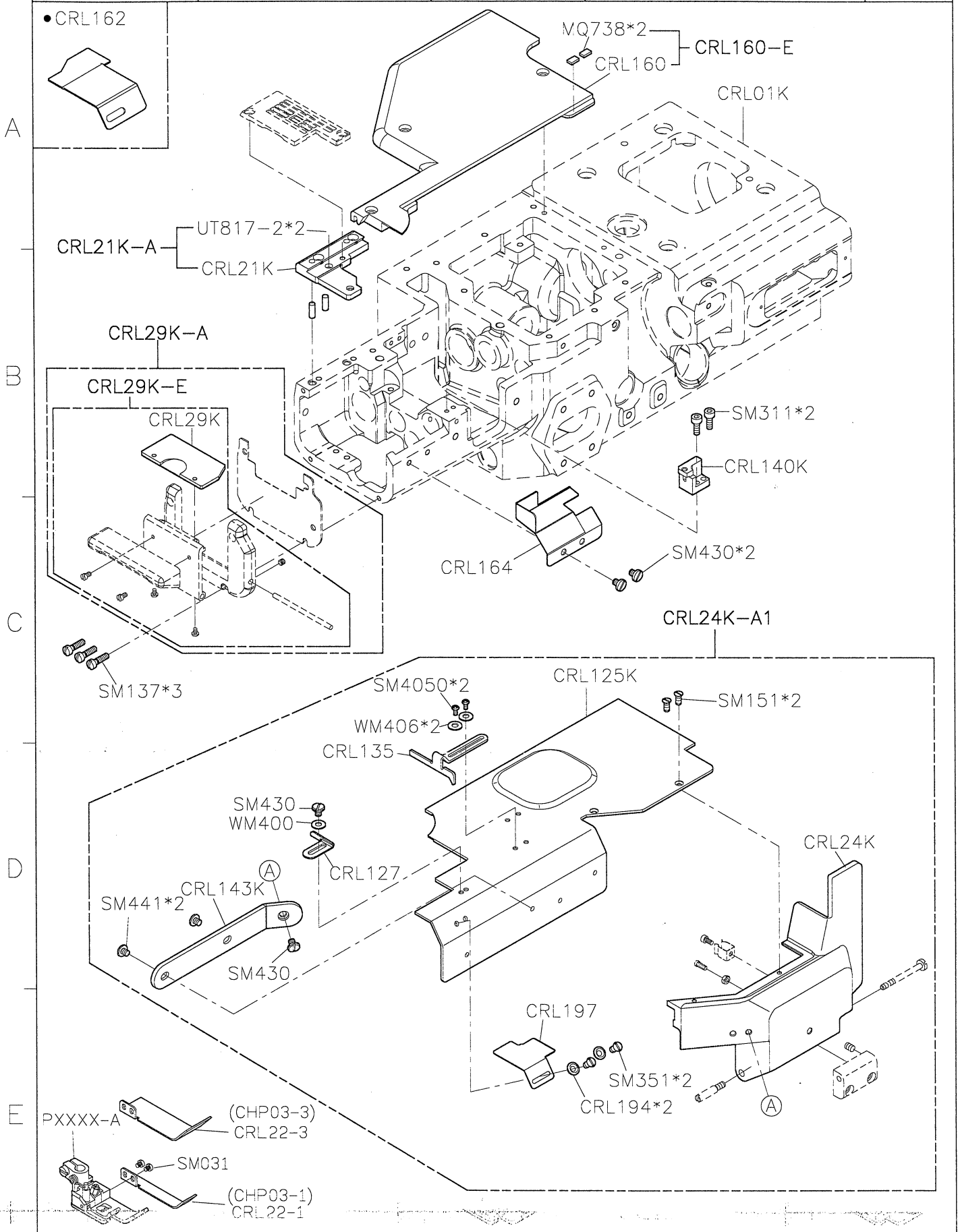
E



SIRUBA PARTS LIST	Series	Parts Group	Subclass / Remark	Page
	C007KP/C007K	CRL-K		1/4
	C858K			Date
				2019/12/17



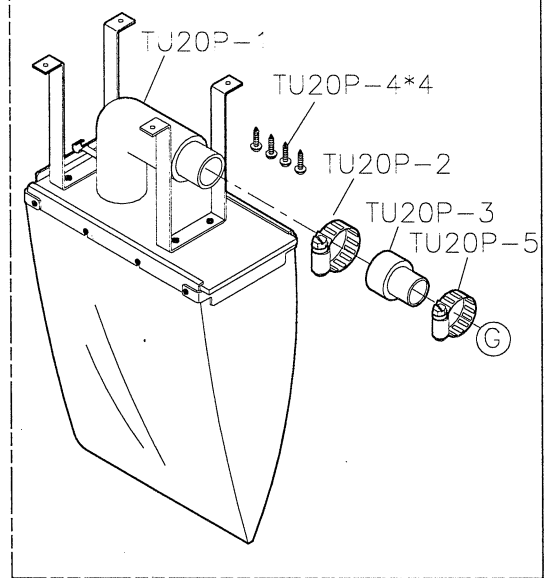
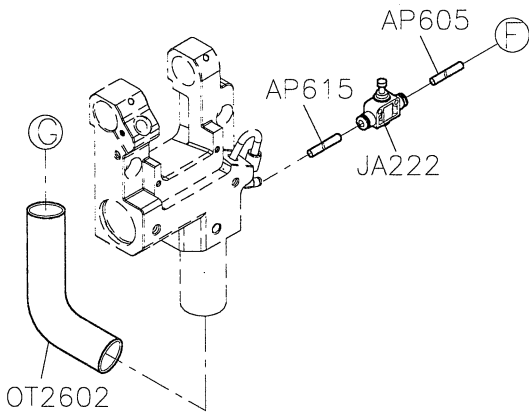
SIRUBA PARTS LIST	Series	Parts Group	Subclass / Remark	Page
	C007KP/C007K C858K	<b>CRL-K</b>	• : Use for general machine to re-equip	2/4
				Date 2019/09/17





SIRUBA PARTS LIST	Series	Parts Group	Subclass / Remark	Page
	C007KP/C007K C858K	CRL-K	* : UTP/UTQ is not collocathec with	3/4
				Date
				2019/09/17

A

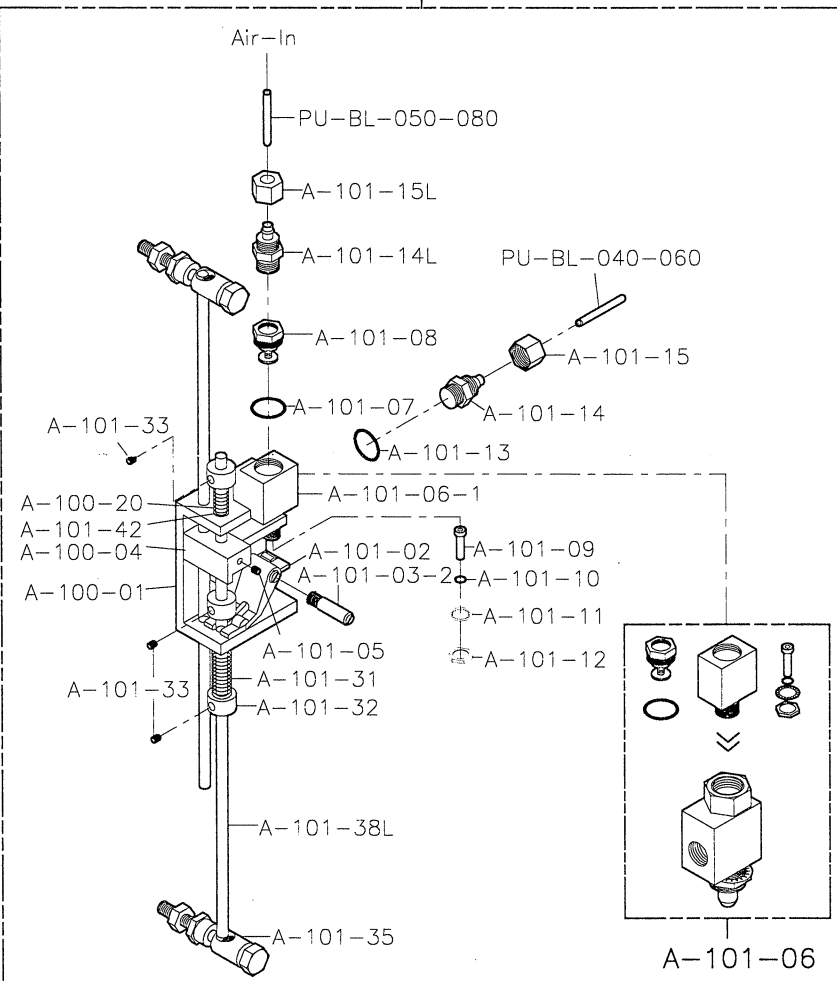


B

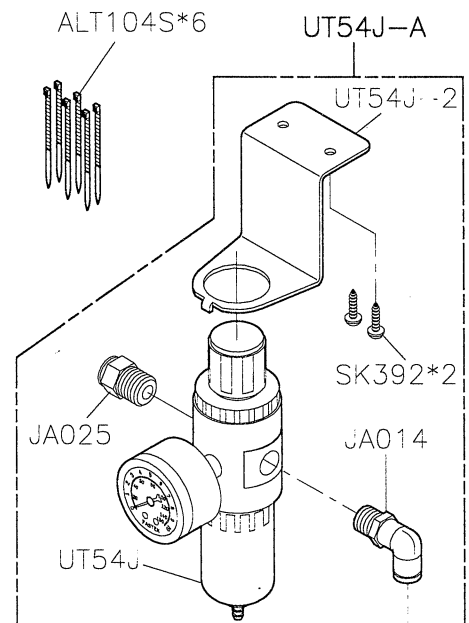
\*A-100ST

TU20P-E

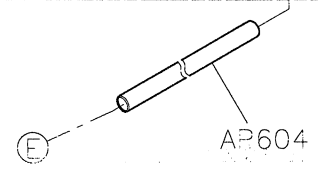
C



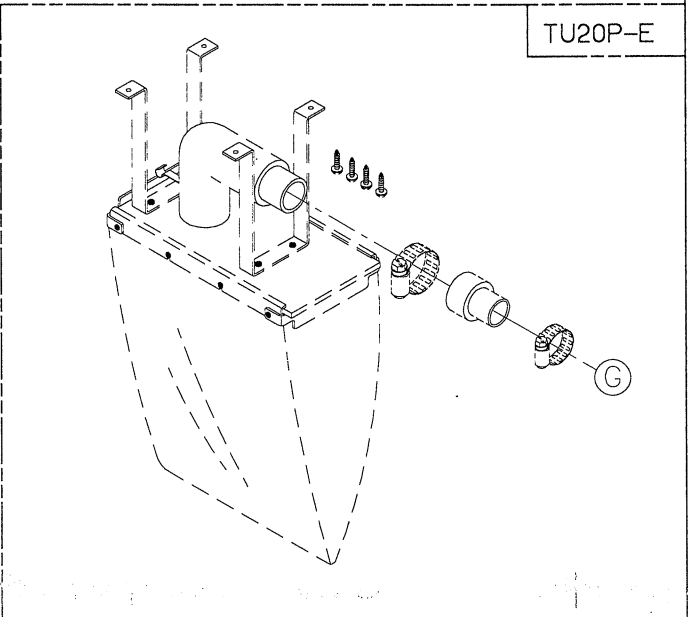
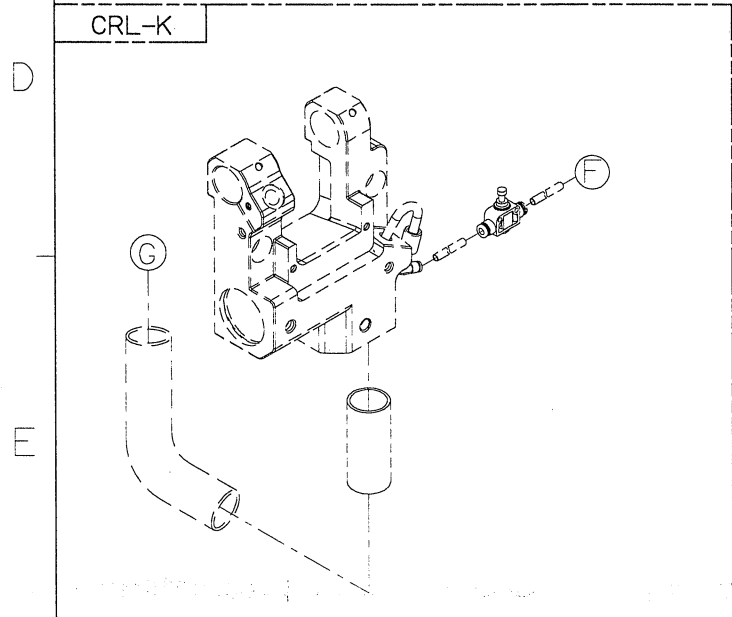
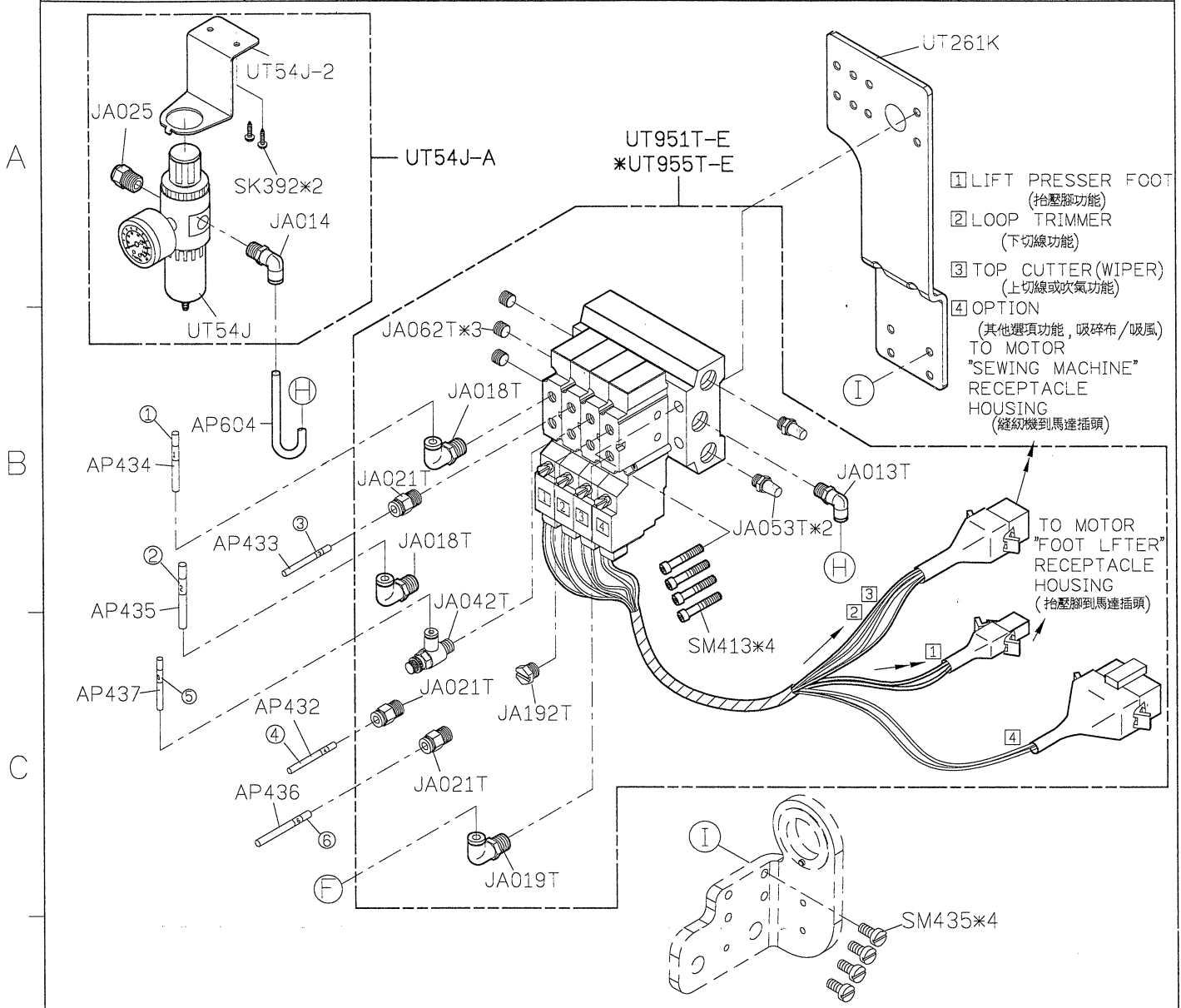
D



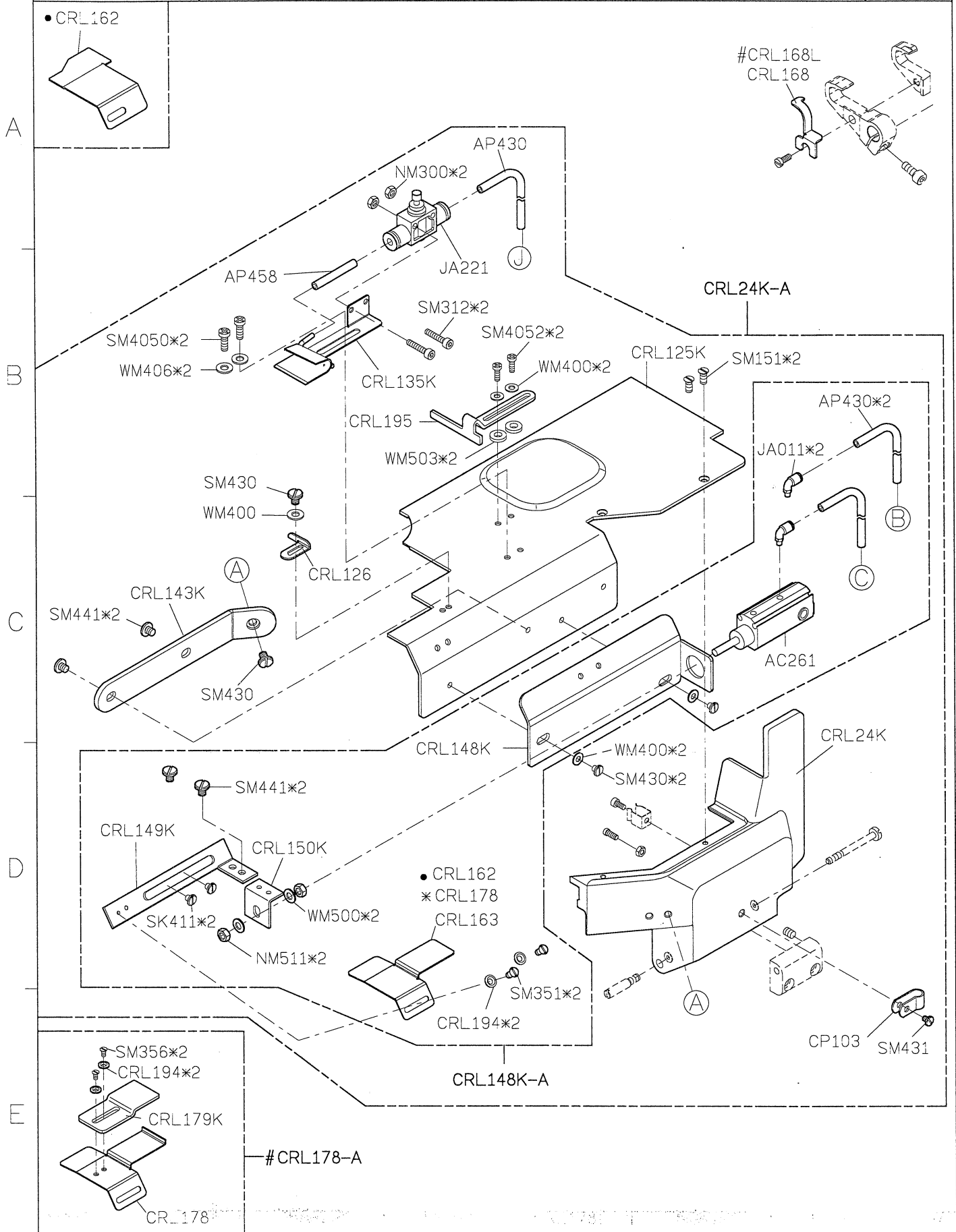
E



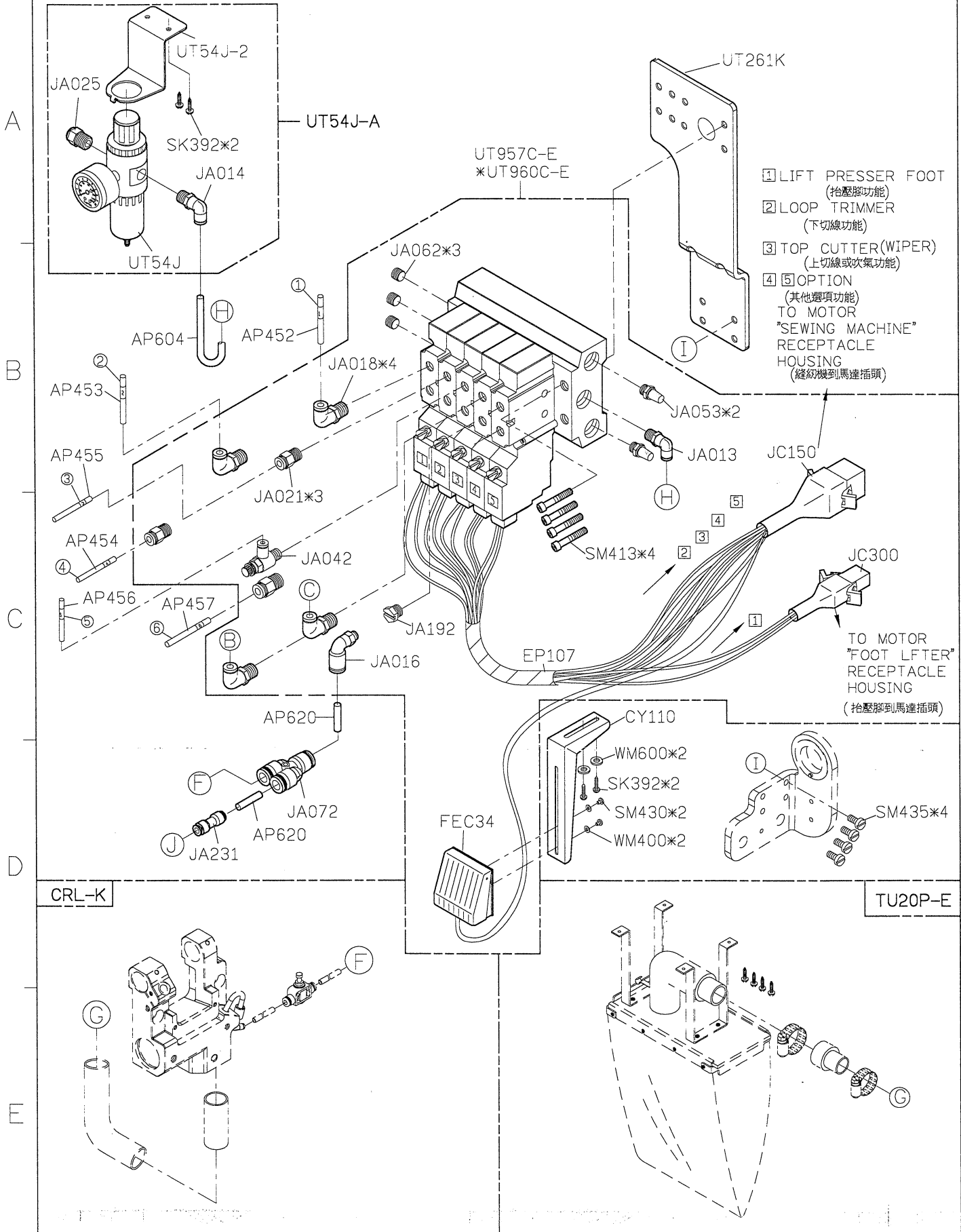
<b>SIRUBA</b> PARTS LIST	Series	Parts Group	Subclass / Remark	Page
	C007KP/C007K C858K	<b>CRL-K</b>	H i70M.i60S.DCP101ADE * : T=DCT101ADE	4/4
				Date
				2019/09/17



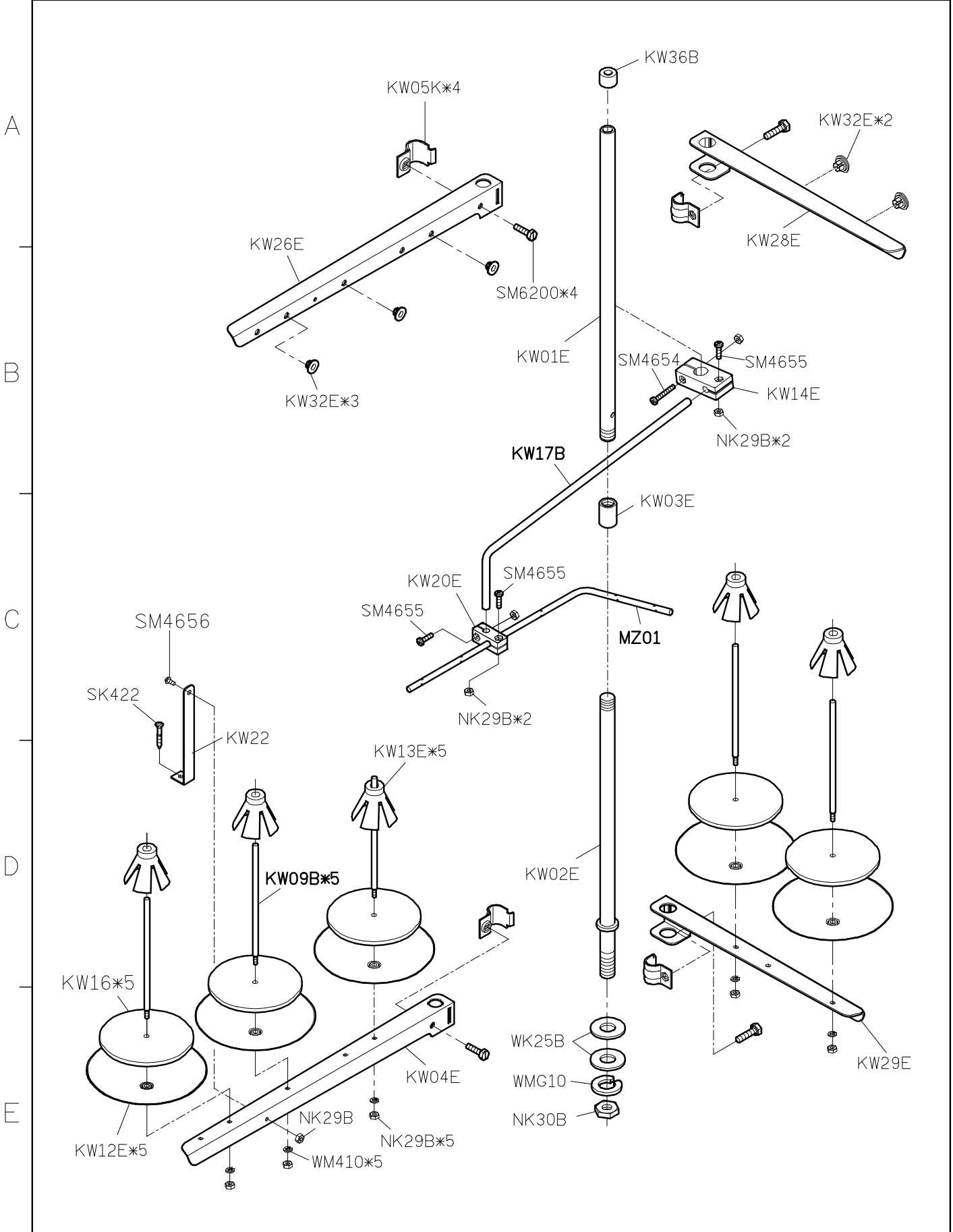
<b>SIRUBA</b> PARTS LIST	Series	Parts Group	Subclass / Remark	Page
	C007KP/C007K C858K	CHP(CY) /UTP-K	Note : Type CHP is collocated with UTP ● : Use for general machine to re-equip # : Use for CY to re-equip	1/2
				Date 2019/09/17



SIRUBA PARTS LIST	Series	Parts Group	Subclass / Remark	Page
	C007KP/C007K	CHP(CY)	i70M	2/2
	C858K	/UTP-K	* : i60S.DCT101ADE	Date
				2019/09/17



SIRUBA PARTS LIST	Series	Parts Group	Subclass / Remark	Page
	C007K/C007L	KW		1/1
	C007KP/F007K			Date
	S007K/U007			2020/8/18



1

2

3

4

5

**SIRUBA**

**PARTS LIST**

**Series**

**C007K/C007KD  
C007KP/C858K**

**Parts Group**

**UTP(UTQ)-K**

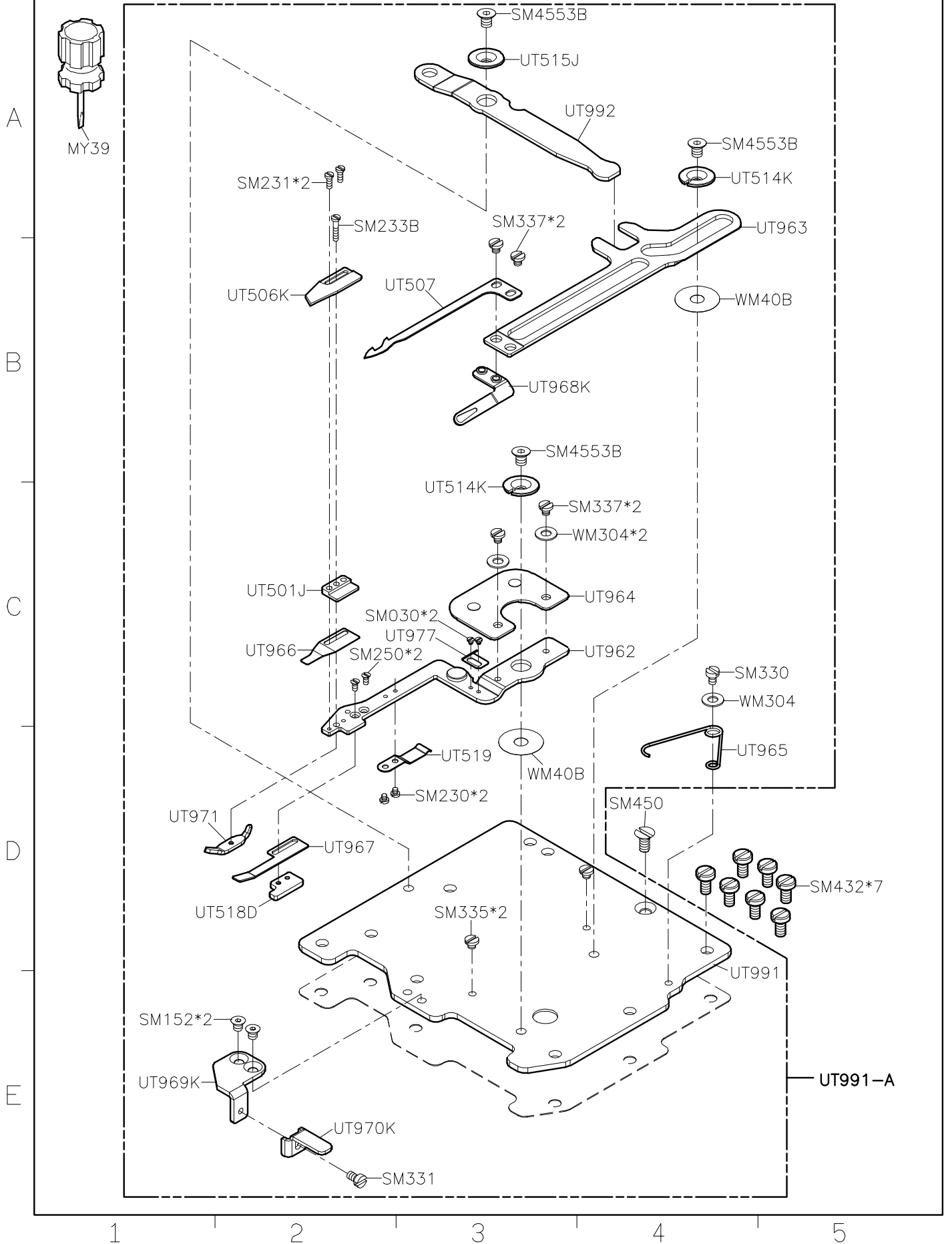
**Subclass / Remark**

**Page**

**1/10**

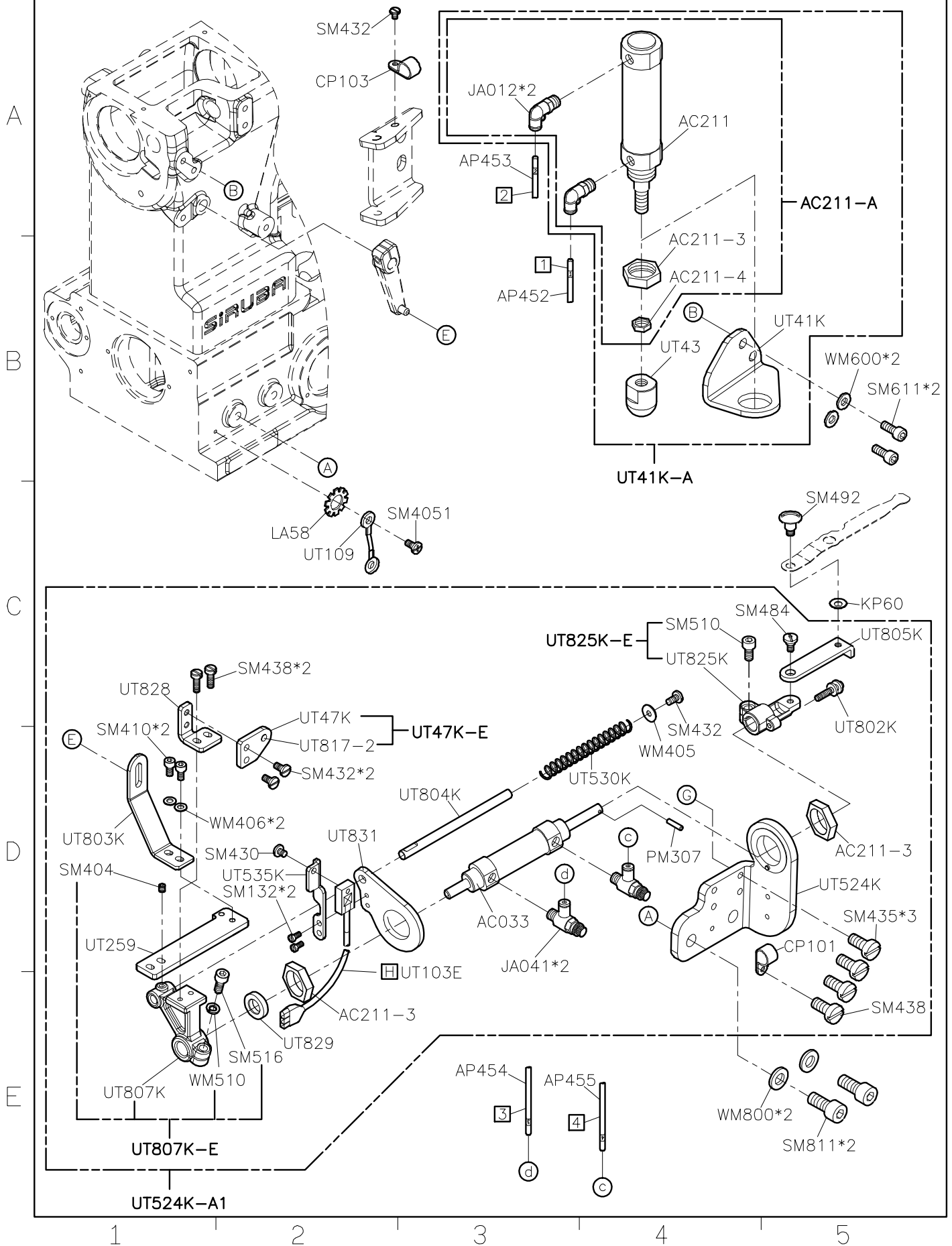
**Date**

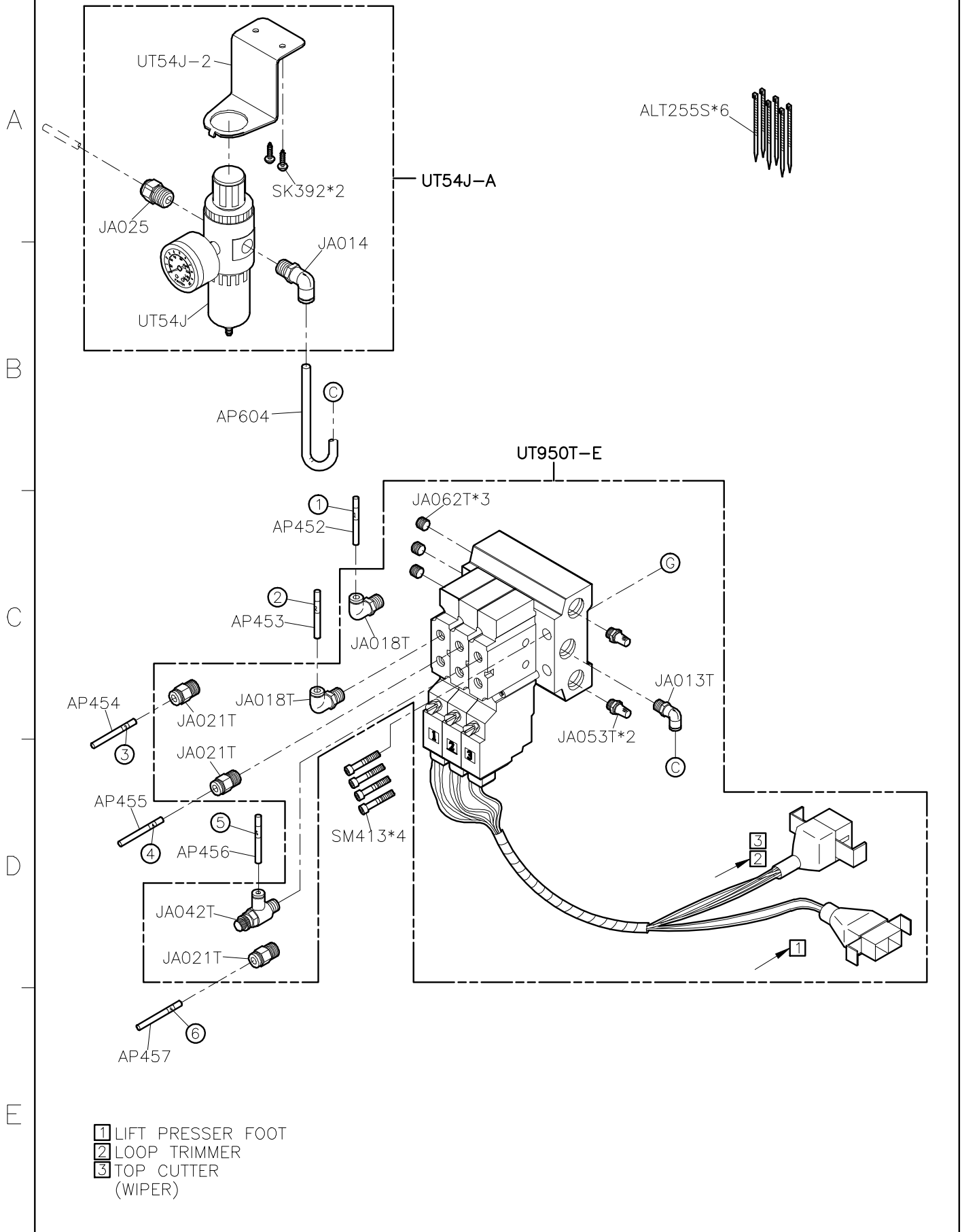
**2020/3/12**



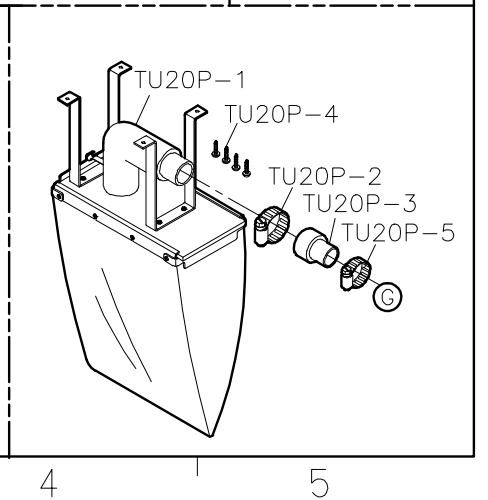
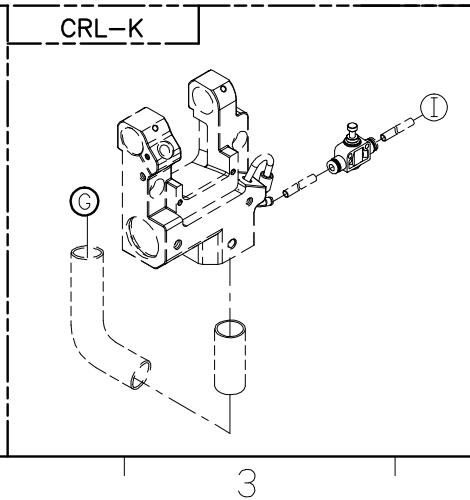
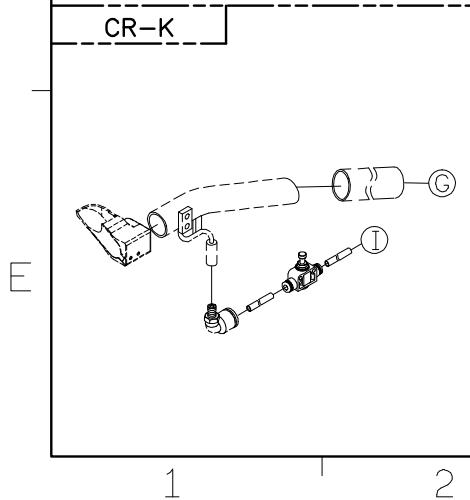
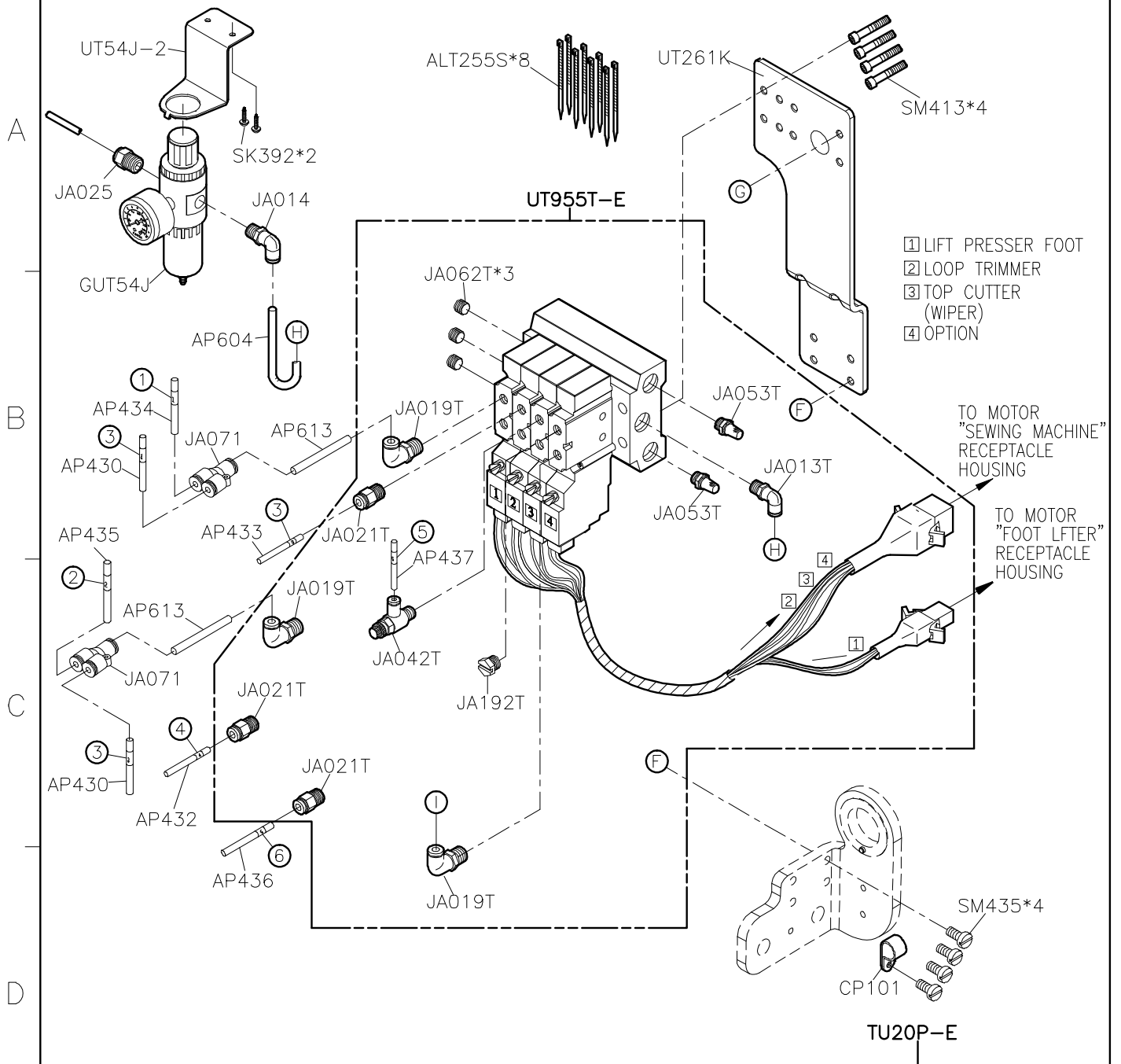
**SIRUBA****PARTS LIST****Series****C007K/C007KD  
C007KP/C858K****Parts Group****UTP(UTQ)-K****Subclass / Remark**

☐ : Use for H brand motor

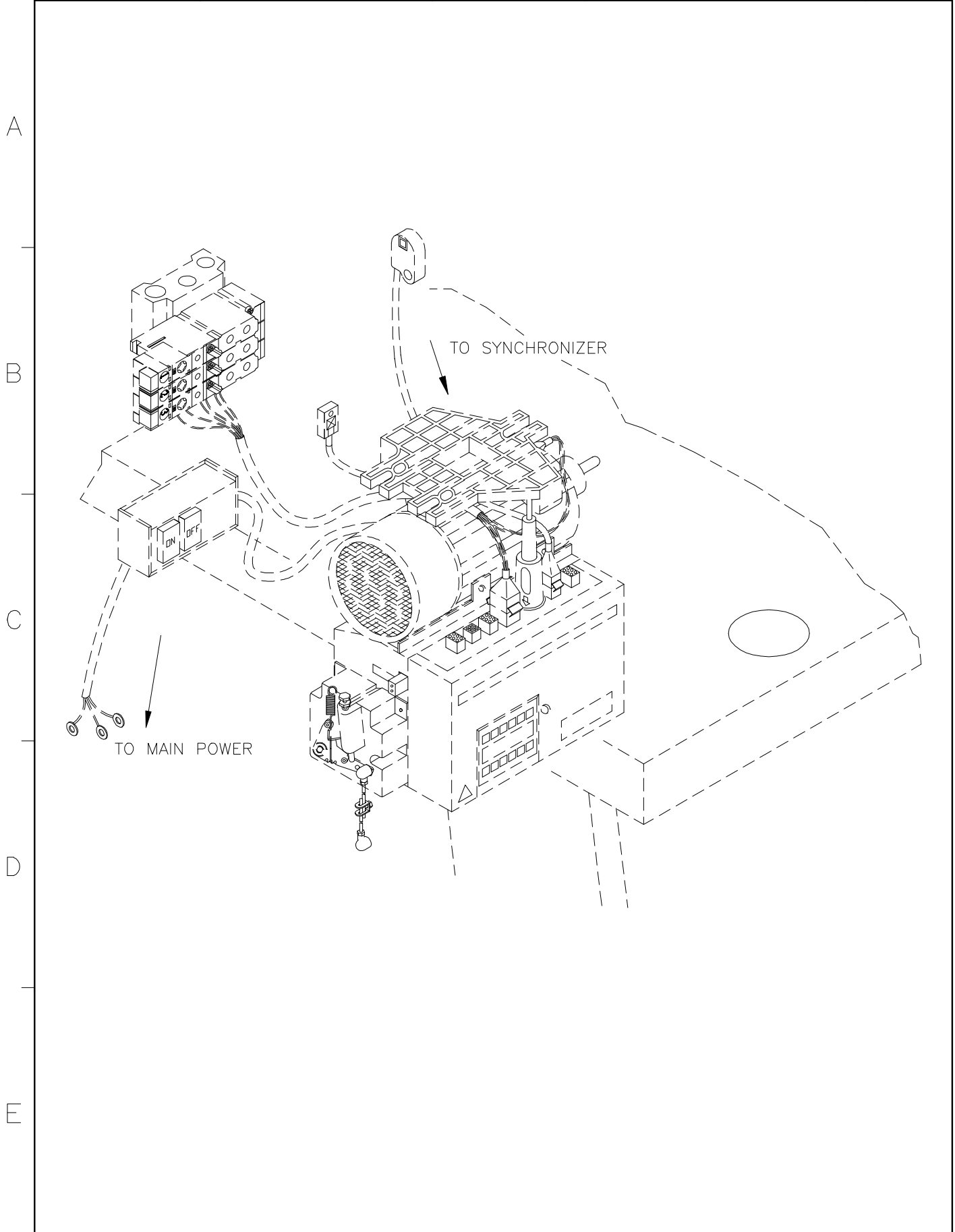
**Page****2/10****Date****2020/4/16**







SIRUBA PARTS LIST	Series	Parts Group	Subclass / Remark	Page
	C007K/C007KD	UTP(UTQ)-K		5/10
	C007KP/C858K			Date
				2020/3/12



**SIRUBA**

**PARTS LIST**

**Series**

**C007K/C007KD  
C007KP/C858K**

**Parts Group**

**UTP(UTQ)-K**

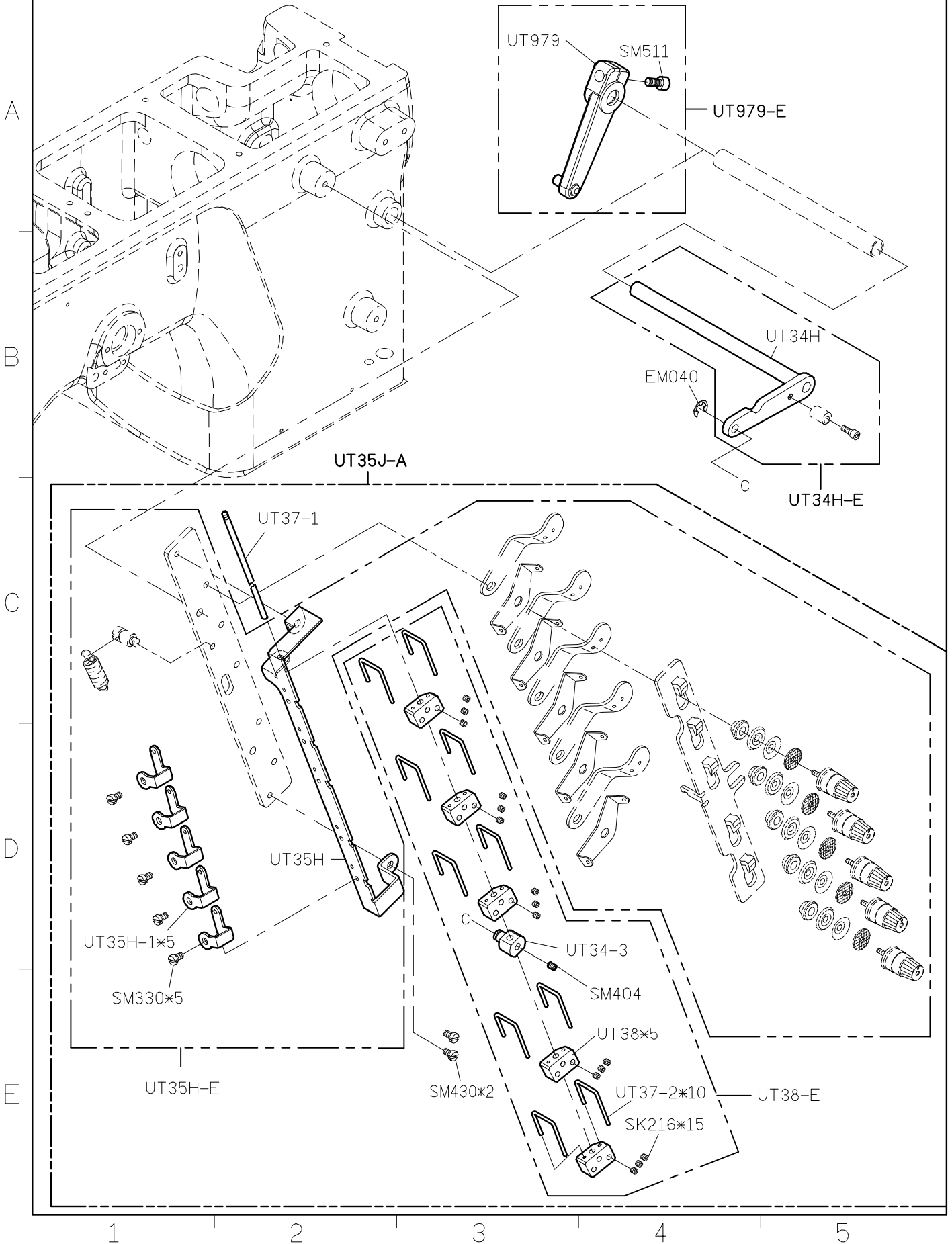
**Subclass / Remark**

**Page**

6/10

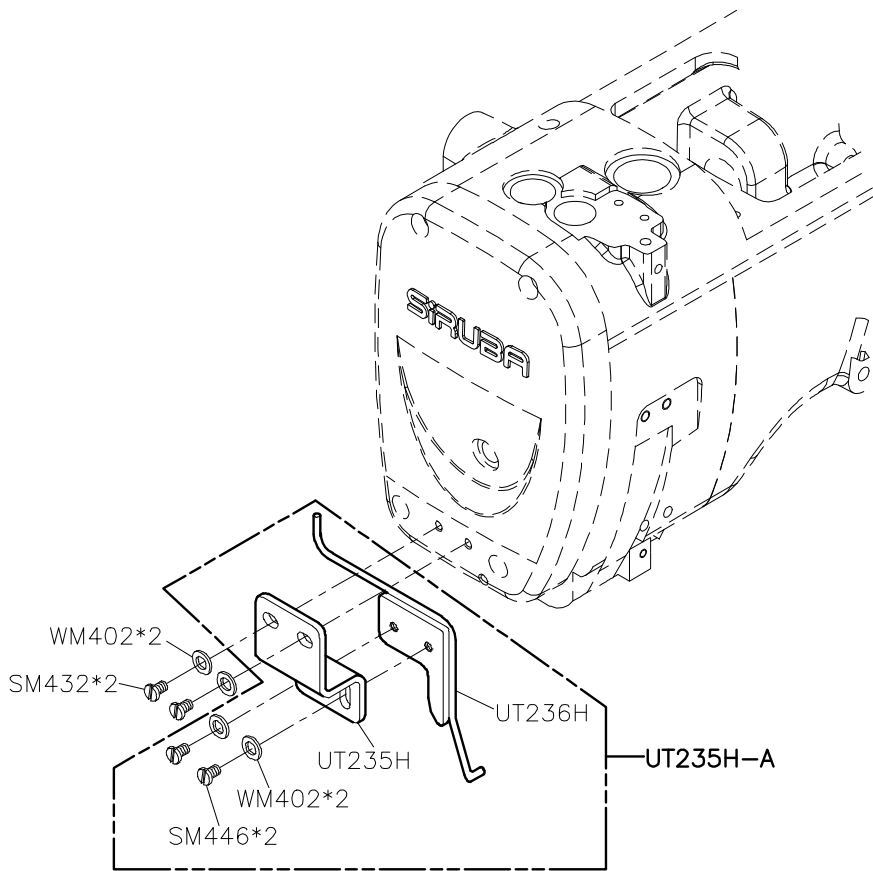
**Date**

2020/3/12

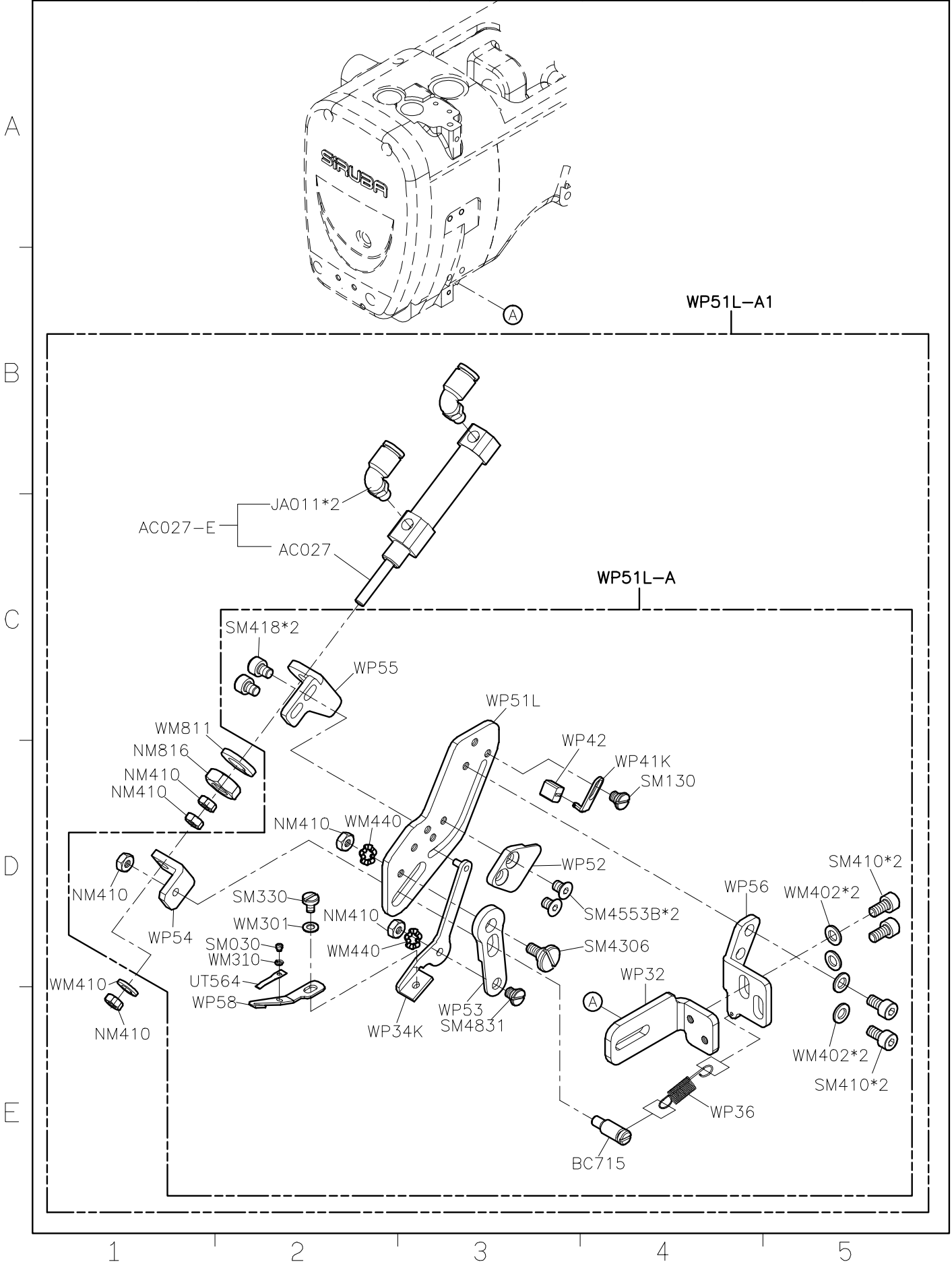


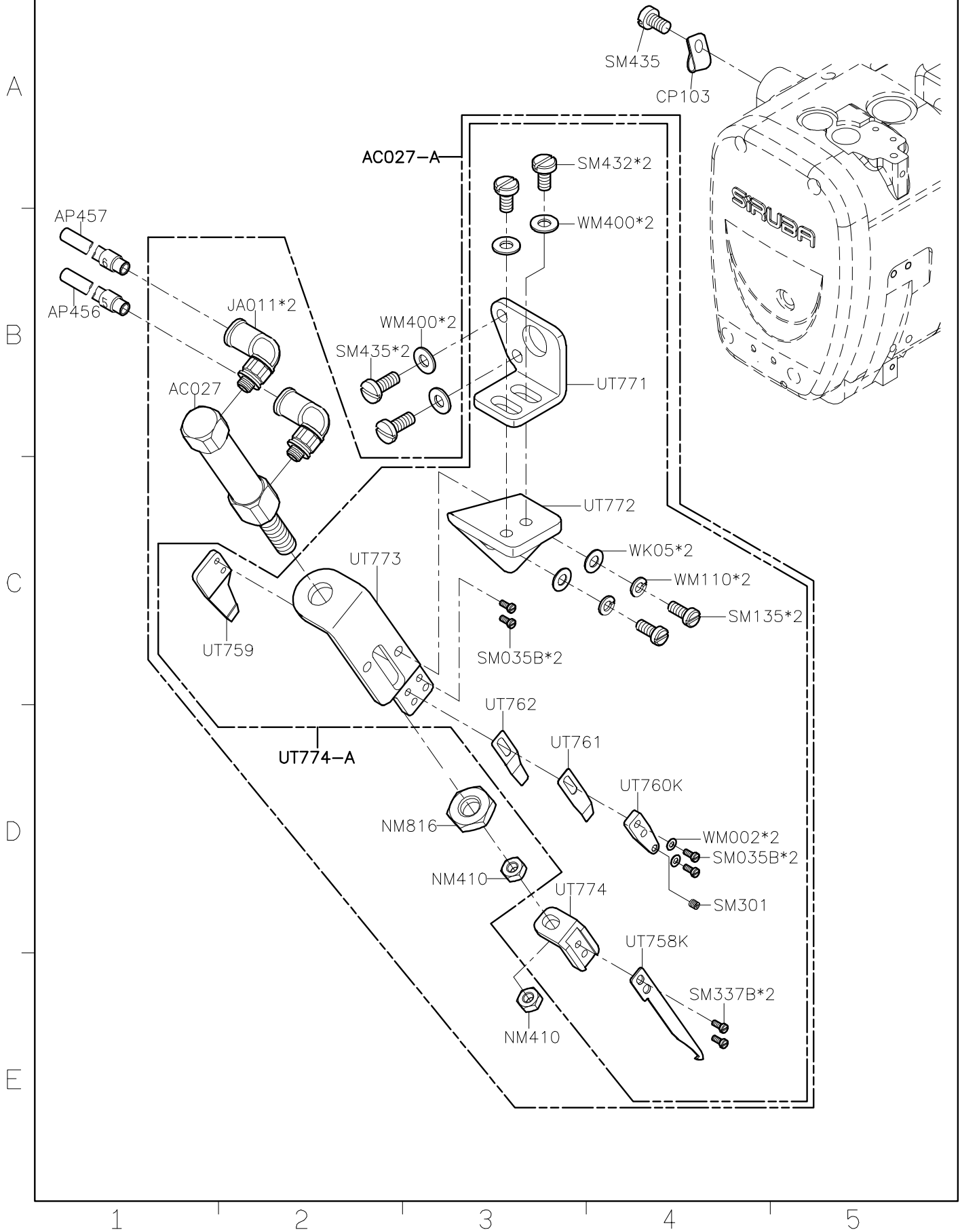
SIRUBA PARTS LIST	Series	Parts Group	Subclass / Remark	Page
	C007K/C007KD	UTQ-K		7/10
	C007KP/C858K			Date
				2020/3/12

FOR LEFT SIDE

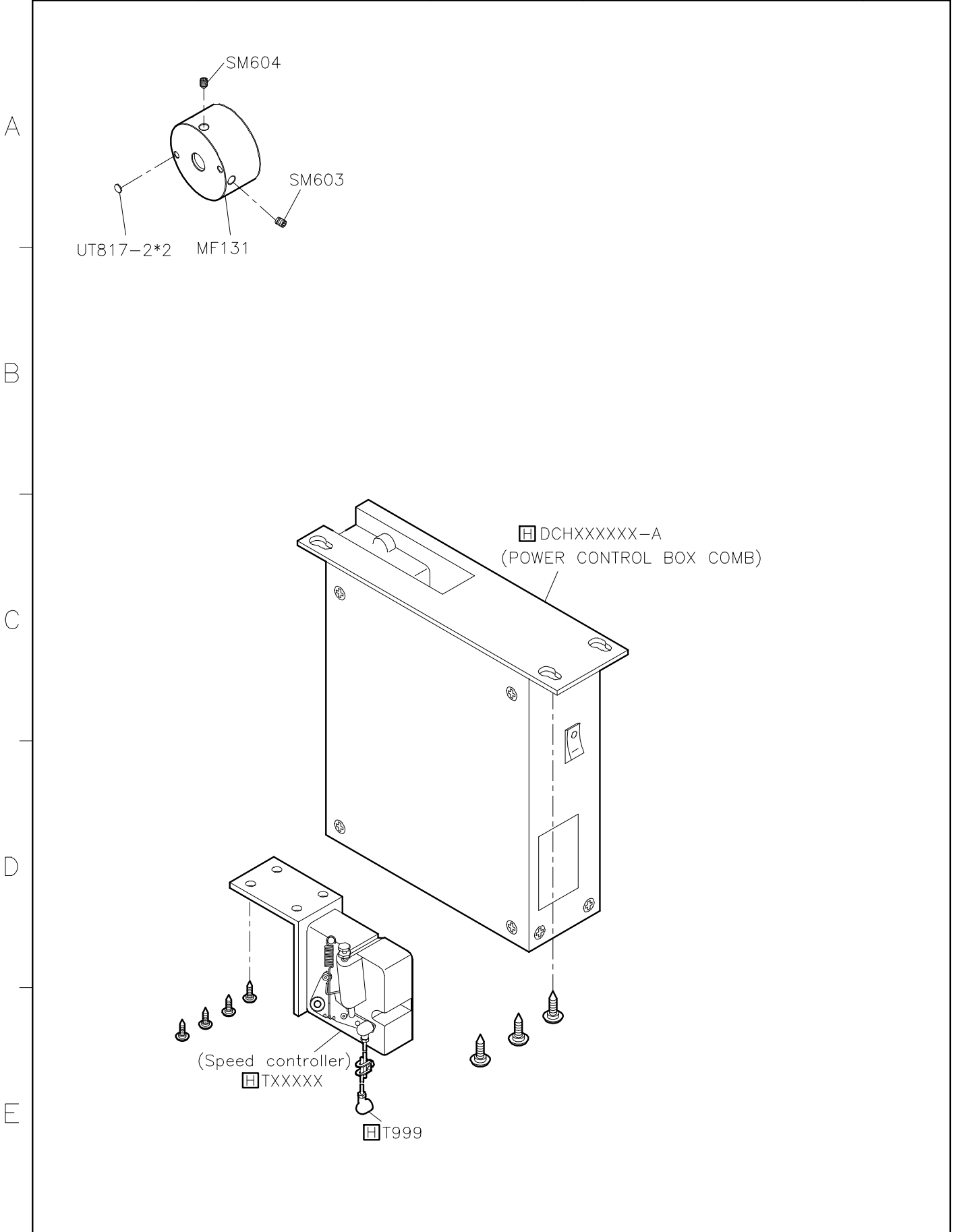


SIRUBA PARTS LIST	Series	Parts Group	Subclass / Remark	Page
	C007K/C007KD	UTQ-K1	For allocation	8/10
	C007KP/C858K			Date
				2020/4/17





SIRUBA PARTS LIST	Series	Parts Group	Subclass / Remark	Page
	C007K/C007KD C007KP/C858K	UTP(UTQ)-K	For C007KD ☐H : Use for H brand motor (i-60)	10/10
				Date 2020/3/12



1

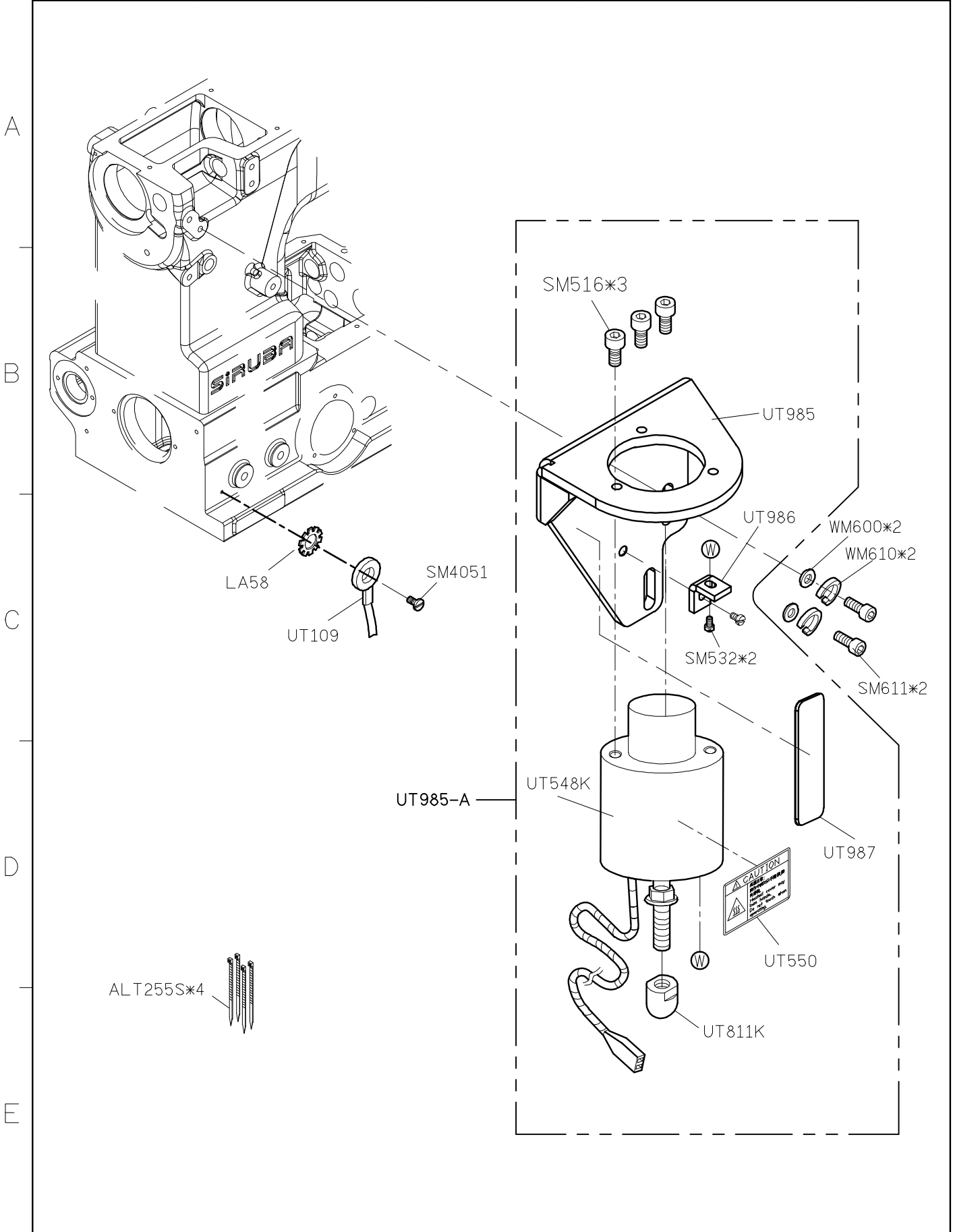
2

3

4

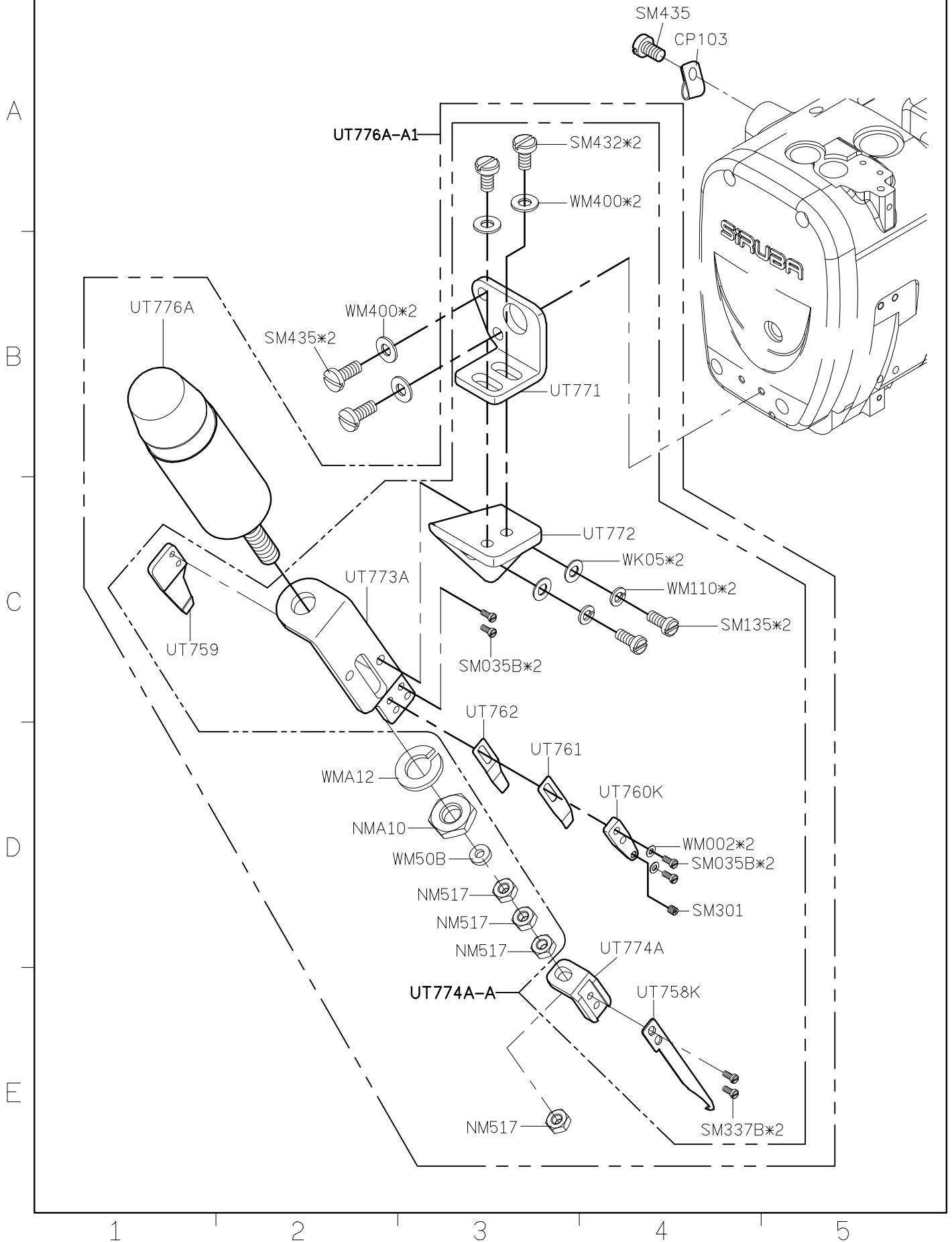
5

SIRUBA PARTS LIST	Series	Parts Group	Subclass / Remark	Page
	C007K/C007KD	UTR(UTS)-K		3/10
	C007KP/C858K			Date
				2020/4/17



1                      2                      3                      4                      5





**SIRUBA**

**PARTS LIST**

**Series**

**C007K/C007KD  
C007KP/C858K**

**Parts Group**

**UTS-K**

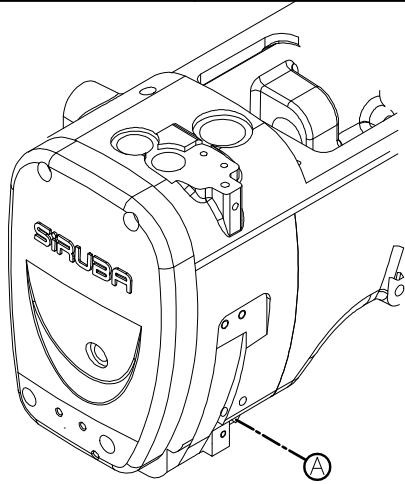
**Subclass / Remark**

**Page**

**7/10**

**Date**

**2020/4/17**



WP54A-A1

UT776A

WP54A-A

SM418\*2

WP51L

WP55A

WMA11  
NMA10

WM50B

NM517

NM410

WM440

NM410

WP52

WP42

WP41K

SM130

SM330

WM301

NM410

WM440

WP54A

SM030

WM310

UT564

WP58

WM510

NM517

WP34K

WP53

SM4831

SM4306

WP32

SM4553B\*2

WP56

SM410\*2

WM402\*2

SM410\*2

WM402\*2

SM410\*2

BC715

WP36

1

2

3

4

5