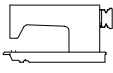

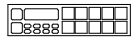
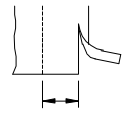
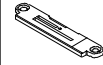
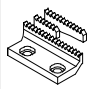




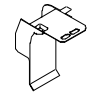


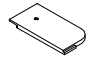

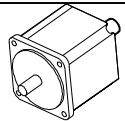


SIRUBA GAGE PARTS LIST	Series	Remark	Page	Date
	DL7000	RM1	1/2	2013/01/01

DL7000-RM1規格件表/CONVERSION CHART

1/2

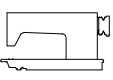


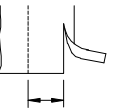
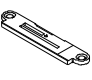
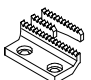



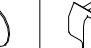





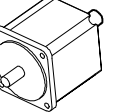
															
MODEL	SUB-CLASS	OPERATING PANEL	GAUGE WIDTH	NEEDLE PLATE	FEED DOG	PRESSER FOOT	HOOK ASM	BOBBIN CASE ASM	BOBBIN	THROAT PLATE CHIP GUARD	NEEDLE	THREAD GUIDE	THROAT PLATE COVER	HAND WHEEL	MOTOR
機 型	規 格	操作盒	切邊距離	針 板	送 具	押 具	梭 頭	梭 殼	梭 子	下導布架	針 號	導線片	布板蓋	皮帶輪	馬達
DL7000-RM1-32-10 2 DL7000-RM1-32-13	32	LU280-A	1/8" (3.2mm)	E705Q (E705S)	D705 (D702)	P705 (P701)	G121	G202	G303	LR254D (LR254)	DBX1#14	LR141S	(LR106S-E) (LR106)	LH500-E	T50D8S11
DL7000-RM1-40-10 2 DL7000-RM1-40-13	40		5/32" (4.0mm)	E705R (E705Q)	D705	P705	G121	G202	G303	LR254D	DBX1#14	LR141S	(LR106-E)		

() 之規格件放於夾鏈袋裝于成車箱內, BOM表編與40站.

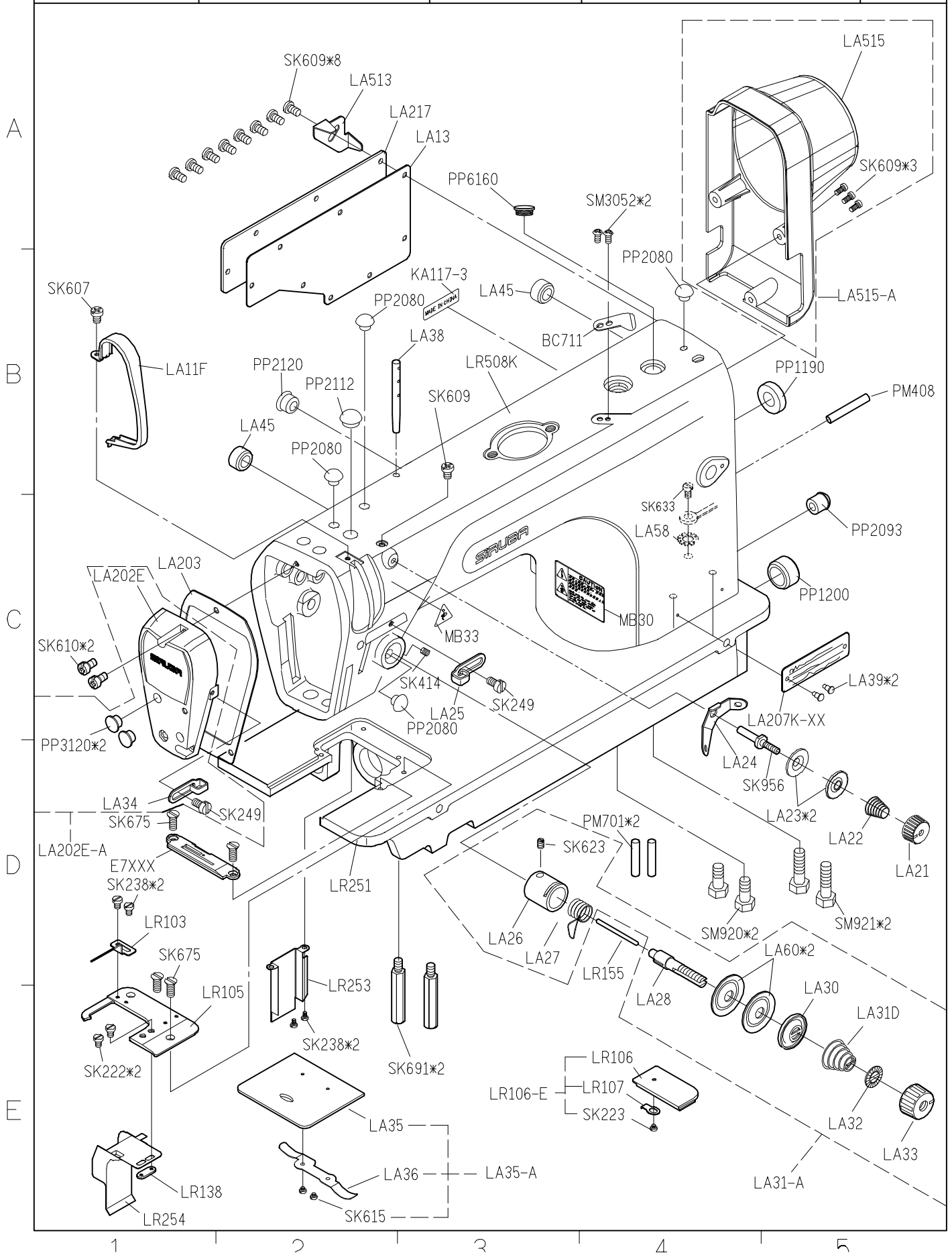
SIRUBA GAGE PARTS LIST	Series	Remark	Page	Date
	DL7000	RM1	2/2	2013/01/01

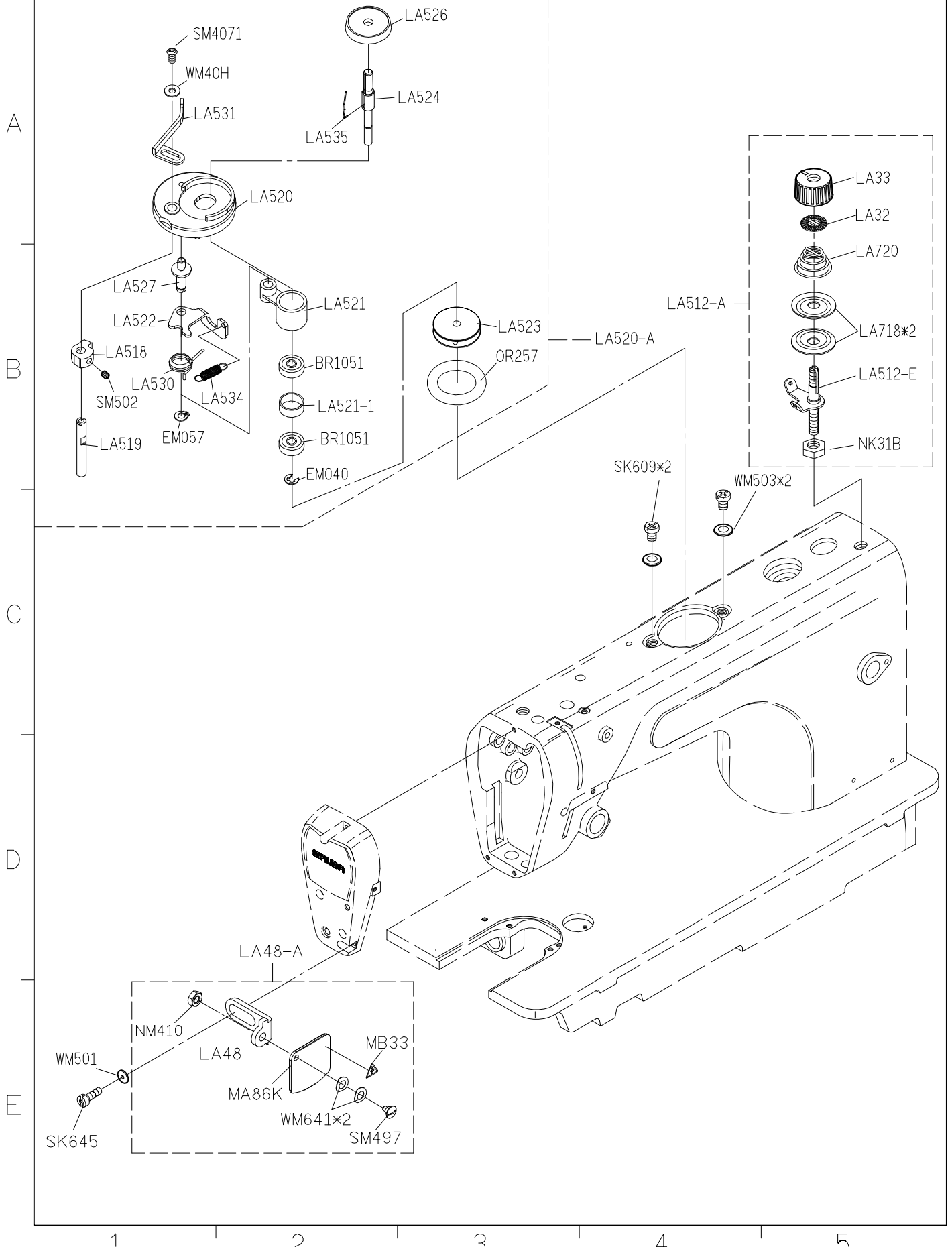
DL7000-RM1規格件表/CONVERSION CHART

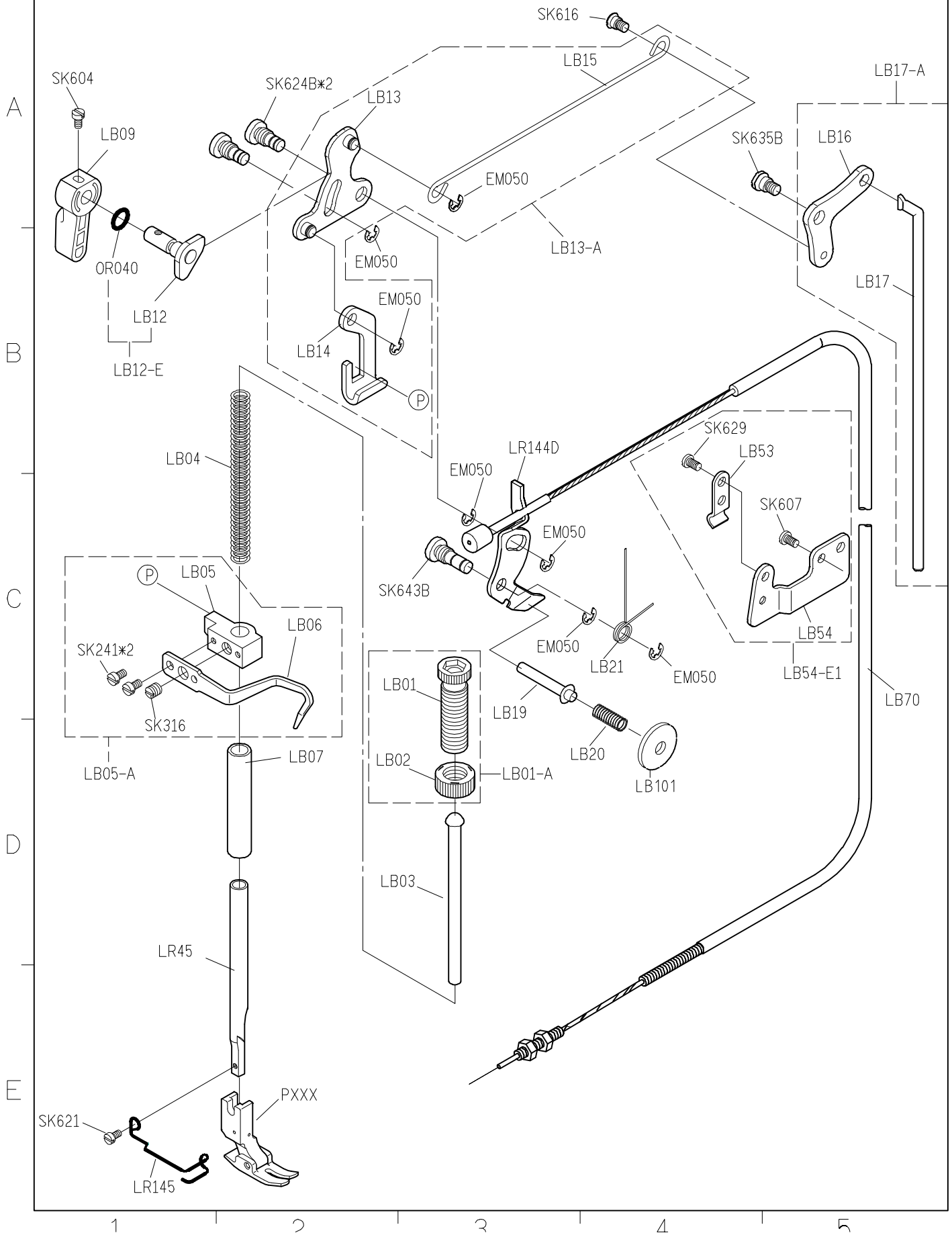
2/2

															
MODEL	SUB-CLASS	OPERATING PANEL	GAUGE WIDTH	NEEDLE PLATE	FEED DOG	PRESSER FOOT	HOOK ASM	BOBBIN CASE ASM	BOBBIN	THROAT PLATE CHIP GUARD	NEEDLE	THREAD GUIDE	THROAT PLATE COVER	HAND WHEEL	MOTOR
機 型	規 格	操作盒	切邊距離	針 板	送 具	押 具	梭 頭	梭 殼	梭 子	下導布架	針 號	導線片	布板蓋	皮帶輪	馬達
DL7000-RM1-48-10 ↕ DL7000-RM1-48-13	48	LU280-A	3/16" (4.8mm)	E705 (E705Q)	D705	P705	G121	G202	G303	LR254D	DBX1#14	LR141S	(LR106-E)	LH500-E	T50D8S11
DL7000-RM1-64-10 ↕ DL7000-RM1-64-13	64		1/4" (6.4mm)	E705S (E705Q)	D702 (D705)	P701 (P705)	G121	G202	G303	LR254 (LR254D)	DBX1#14	LR141S	(LR106-E) (LR106S)		
DL7000-RM1-95-10 ↕ DL7000-RM1-95-13	95		3/8" (9.5mm)	E705T (E705Q)	D702 (D705)	P701 (P705)	G121	G202	G303	LR254 (LR254D)	DBX1#14	LR141S	(LR106T-E) (LR106)		

() 之規格件放於夾鏈袋裝于成車箱內, BOM表編與40站.





SIRUBA**PARTS LIST****Series****DL7000-RM1****Parts Group****LB****Subclass / Remark****Page****1/1****Date****2013/01/01**

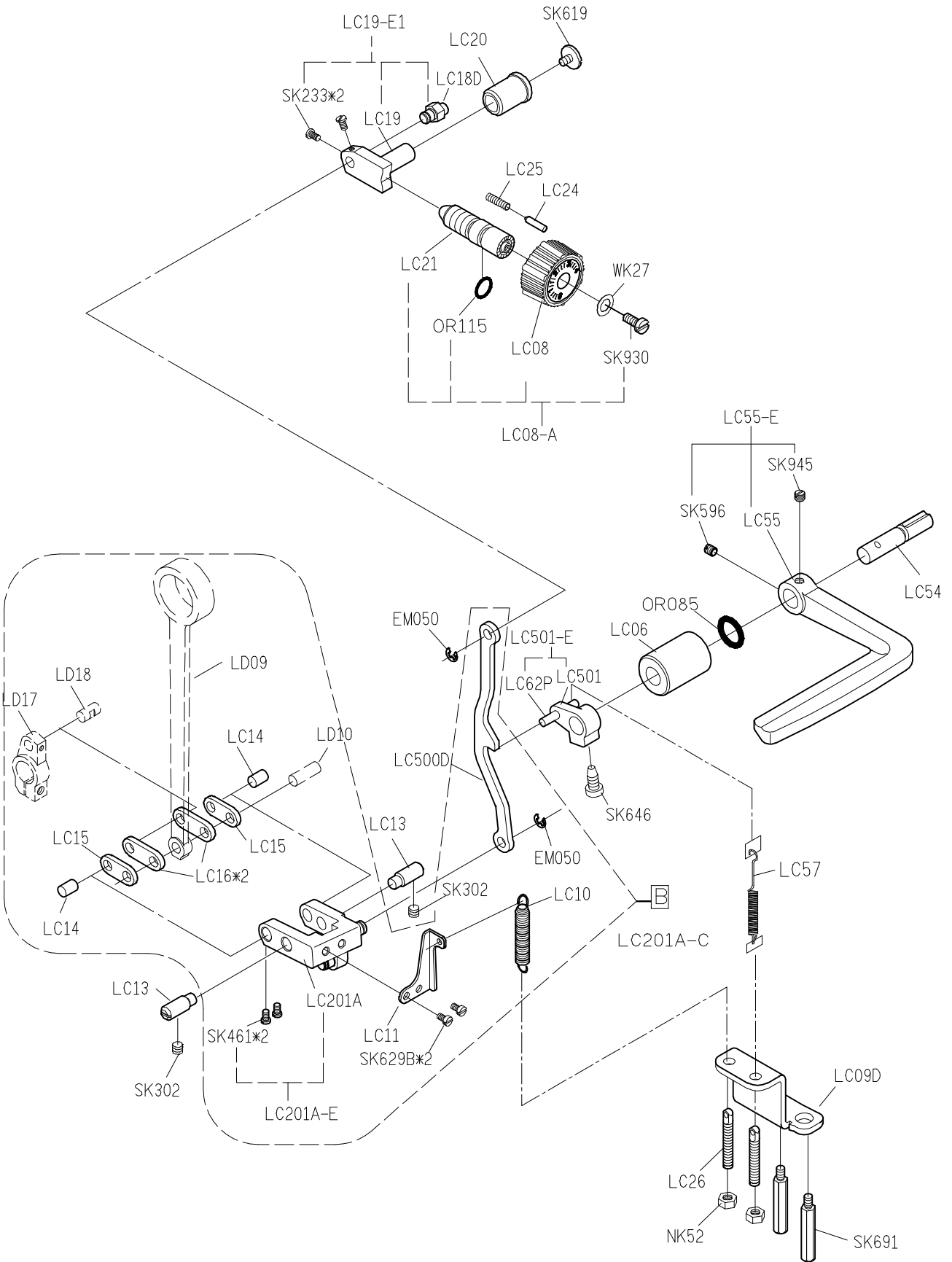
A

B

C

D

E



1

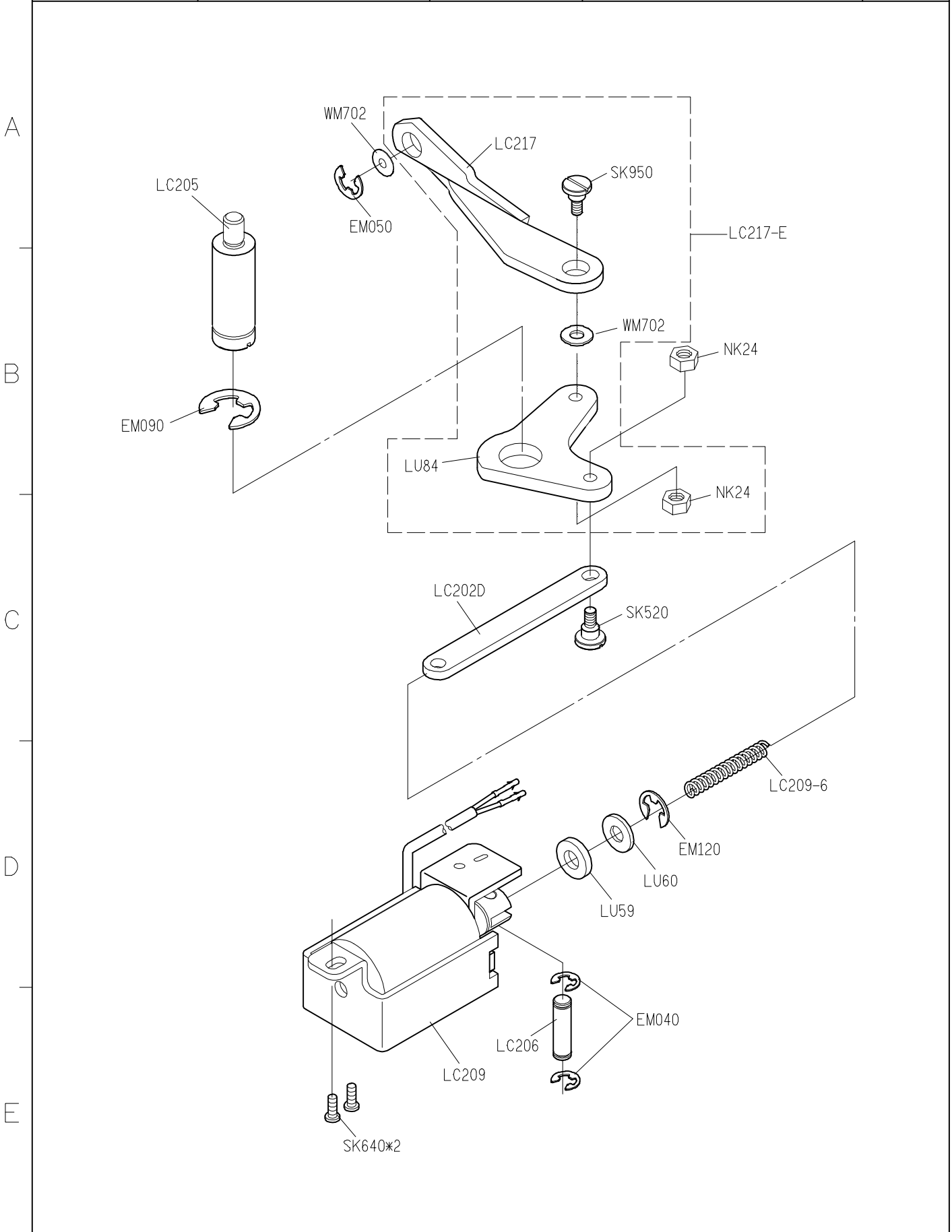
2

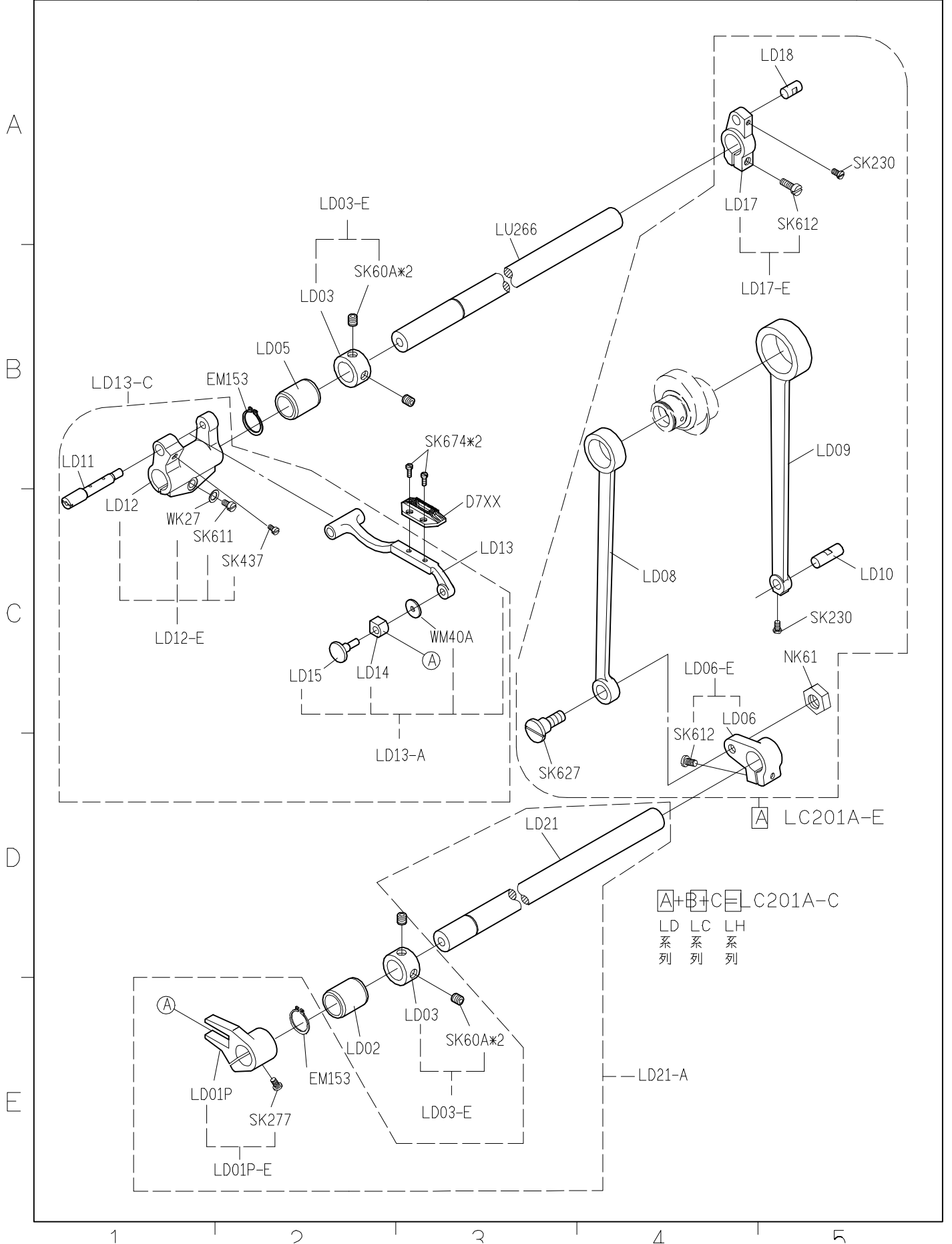
3

4

5

SIRUBA PARTS LIST	Series	Parts Group	Subclass / Remark	Page
	DL7000-RM1	LC		2/2
				Date
				2014/05/08





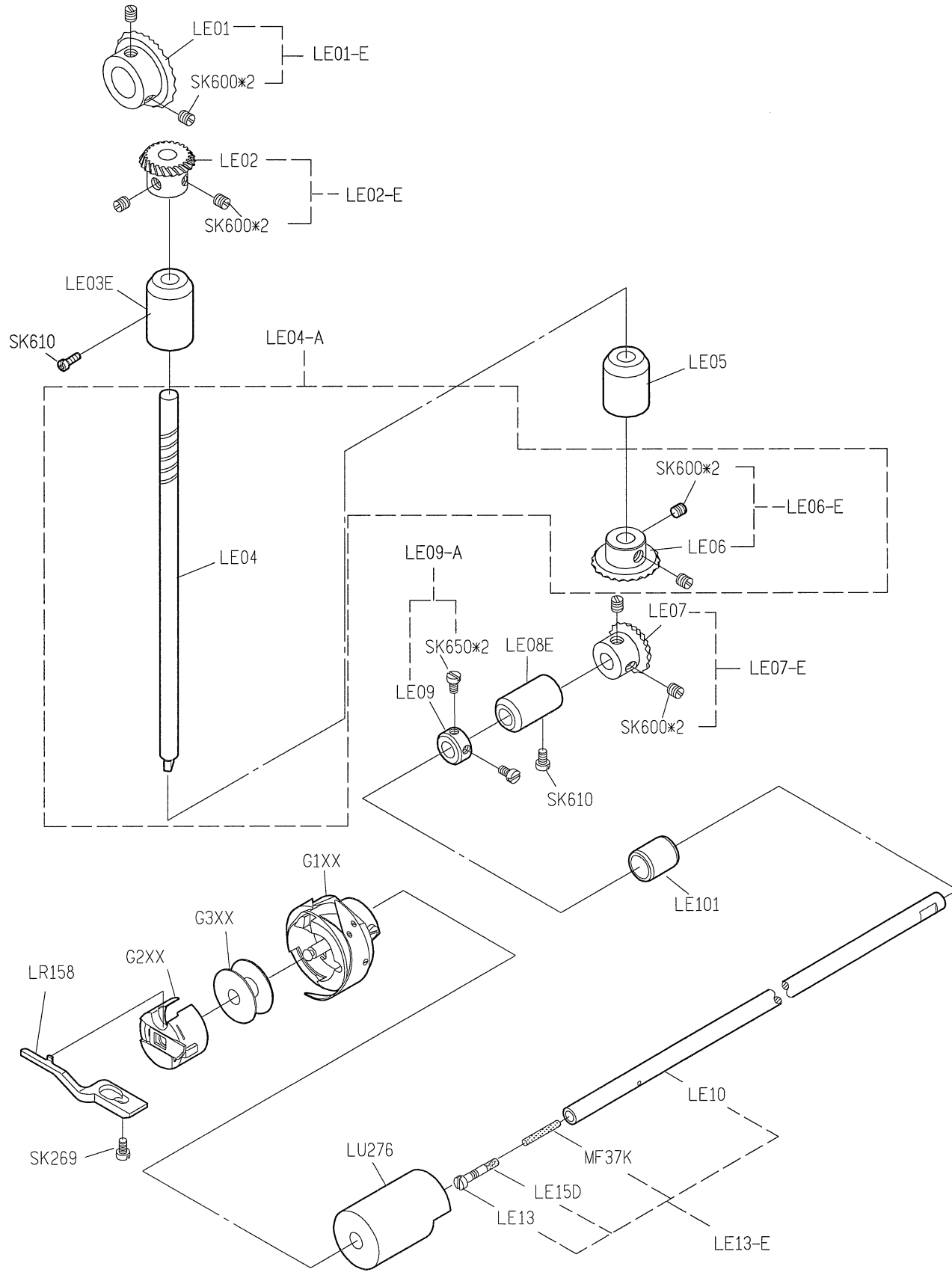
A

B

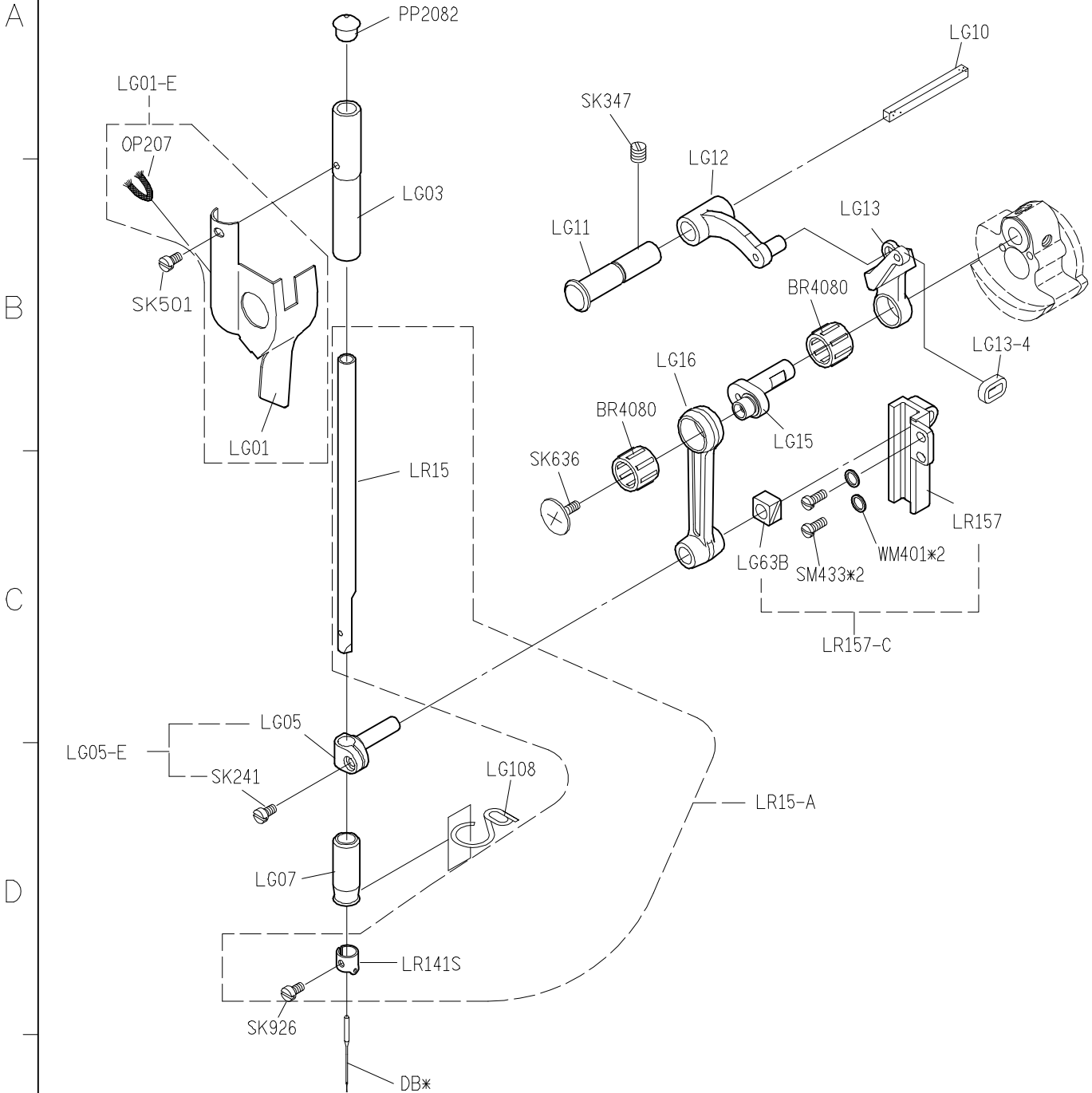
C

D

E



SIRUBA PARTS LIST	Series	Parts Group	Subclass / Remark	Page
	DL7000-RM1	LG		1/1
				Date
				2013/01/01



SIRUBA

PARTS LIST

Series

DL7000-RM1

Parts Group

LH

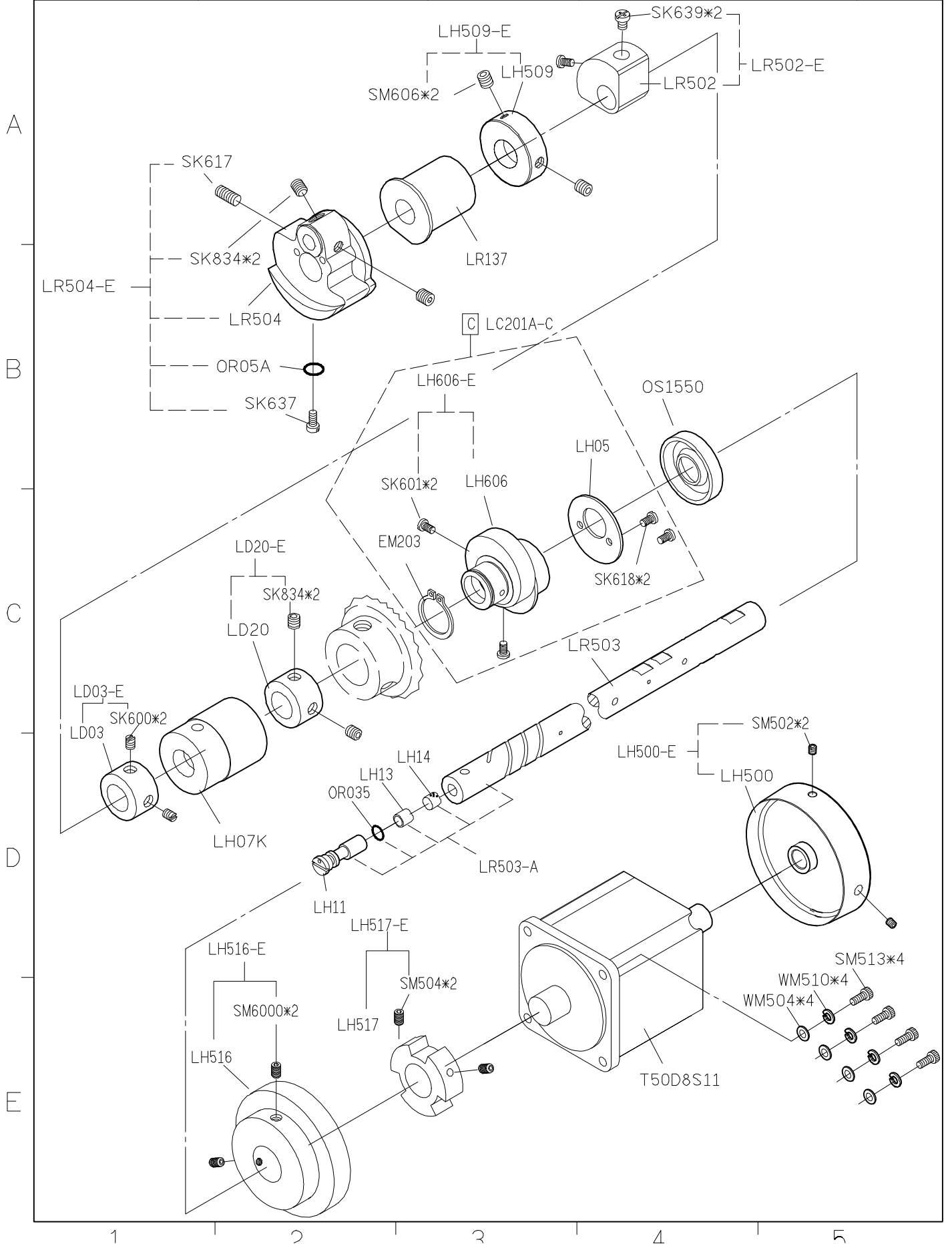
Subclass / Remark

Page

1/1

Date

2014/09/12



SIRUBA

PARTS LIST

Series

DL7000-RM1

Parts Group

LL

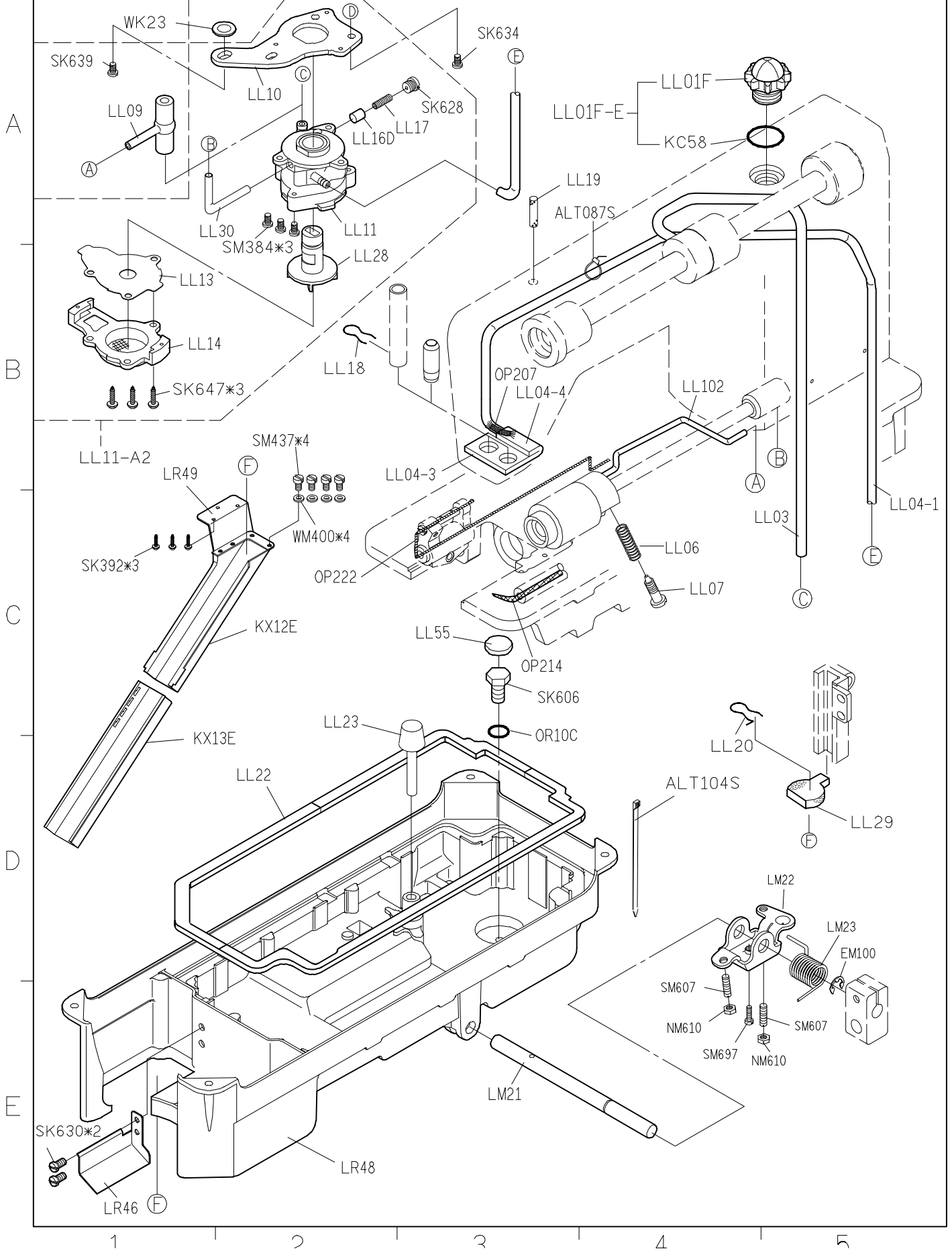
Subclass / Remark

Page

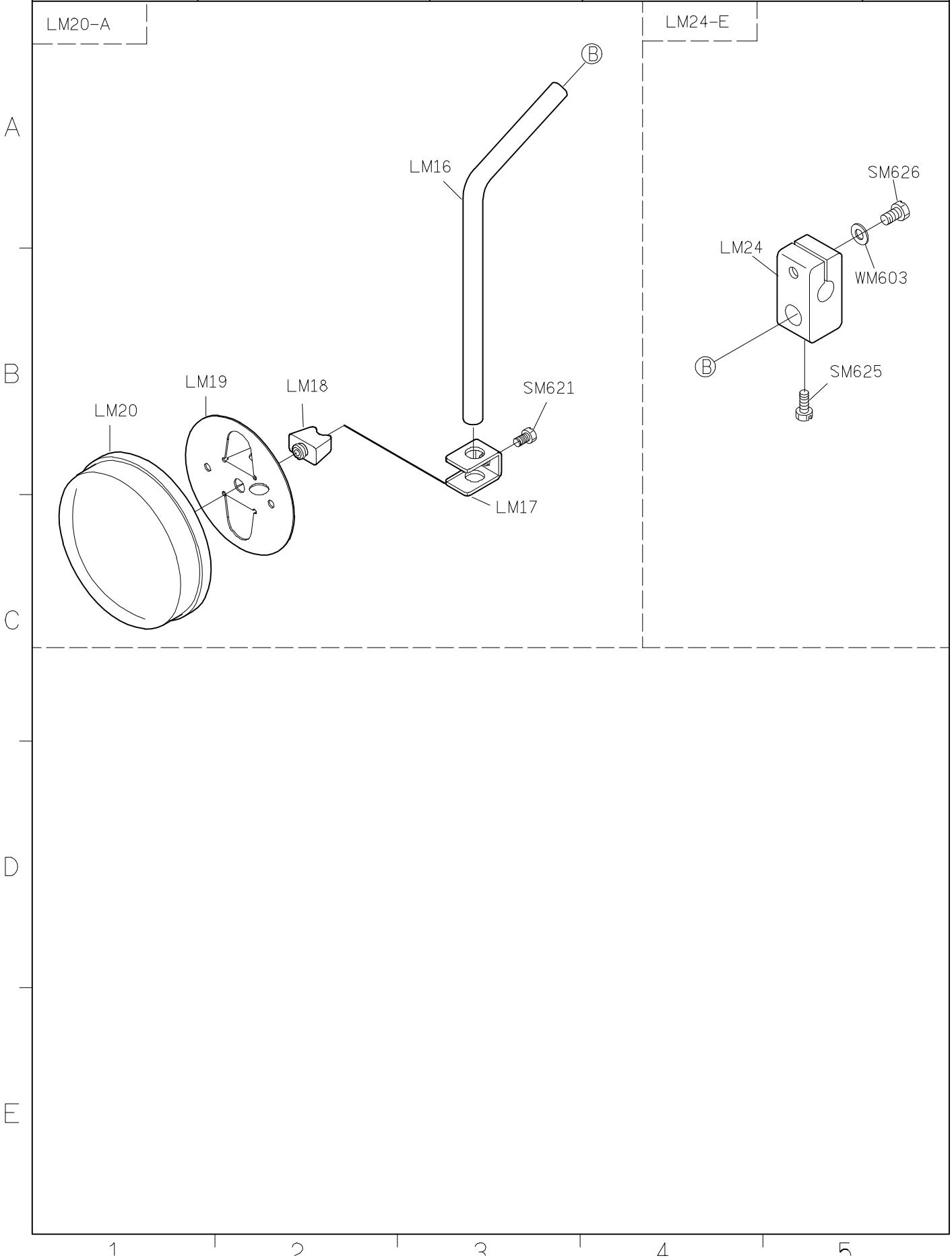
1/1

Date

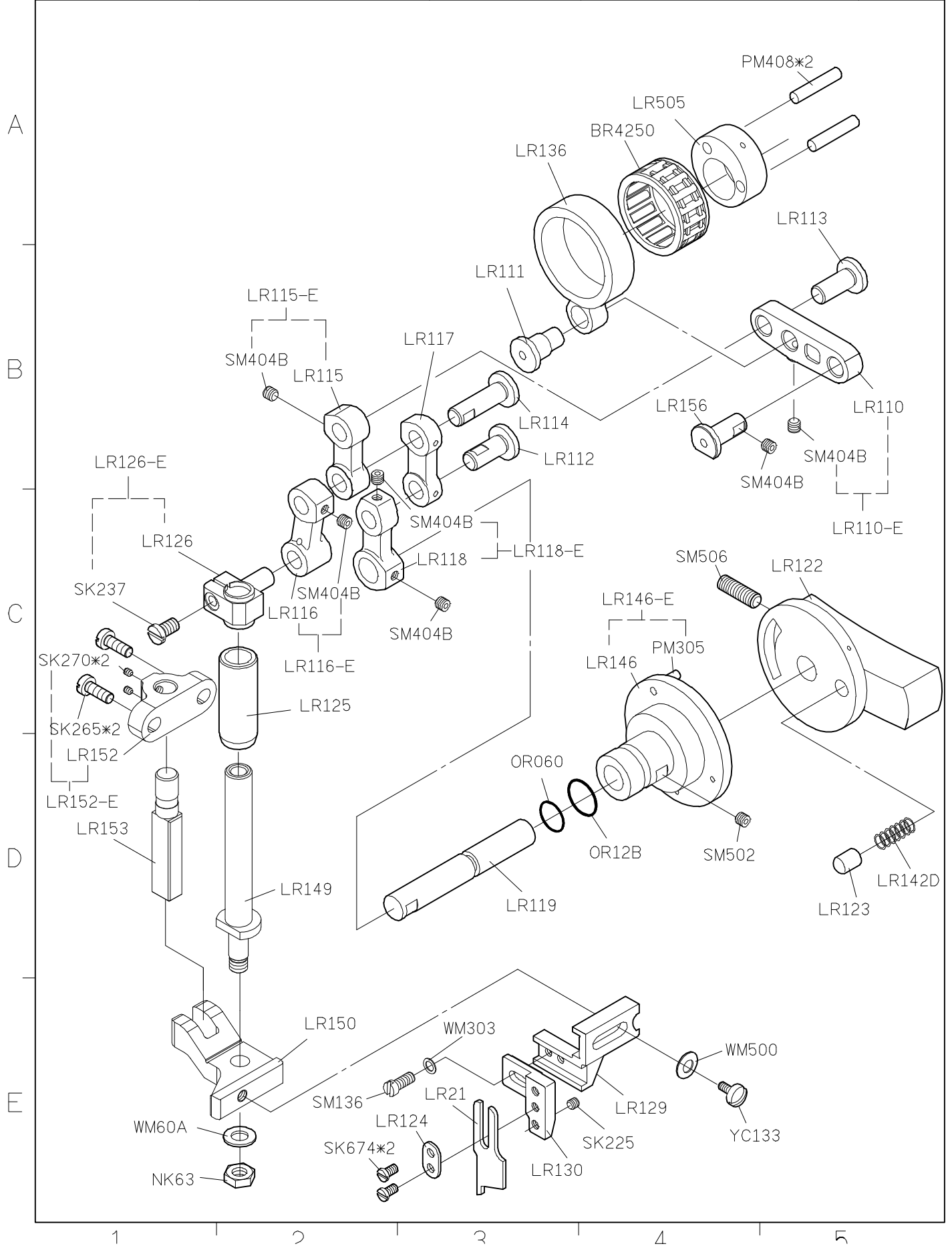
2015/03/24

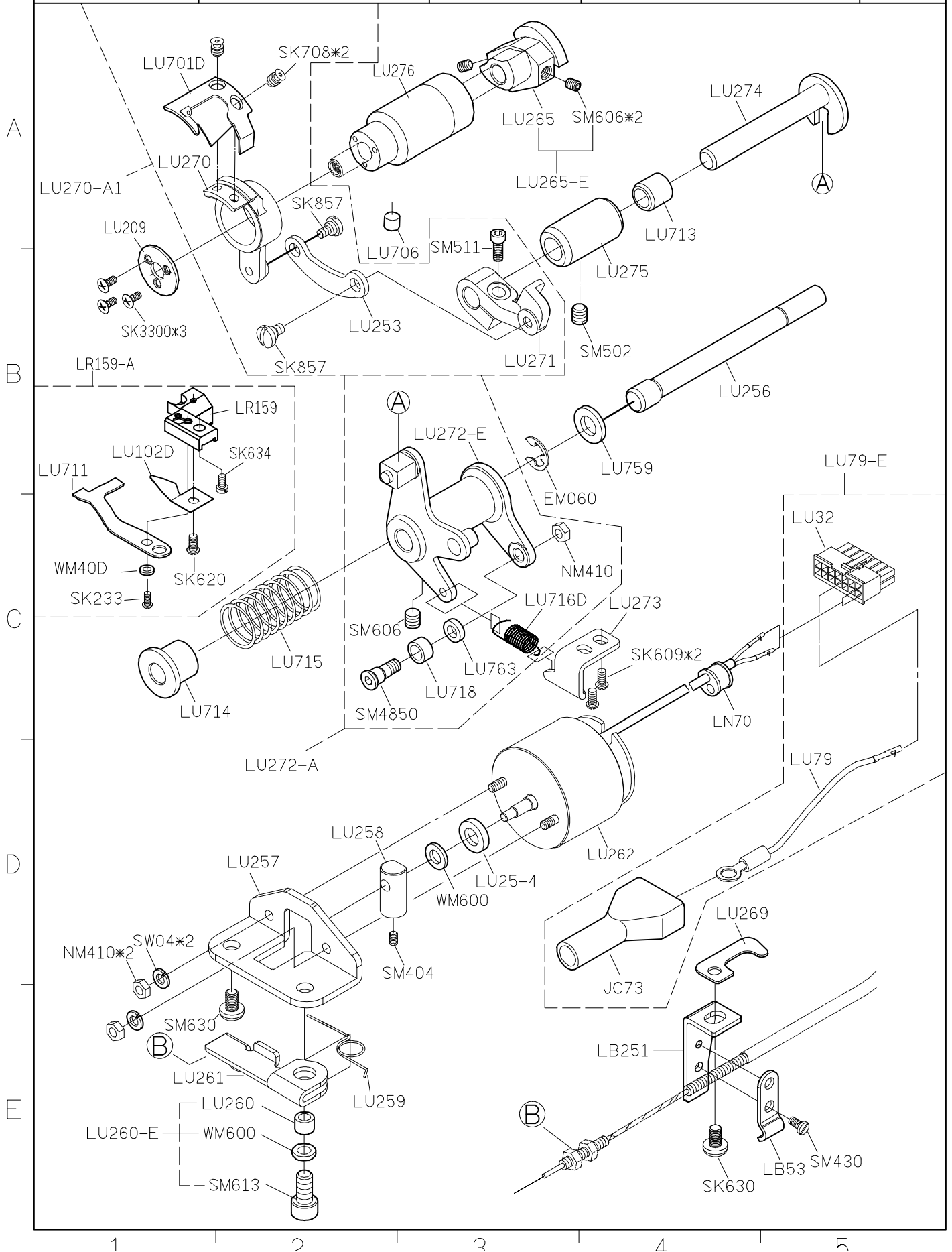


SIRUBA PARTS LIST	Series	Parts Group	Subclass / Remark	Page
	DL7000-RM1	LM		1/1
				Date
				2013/01/01



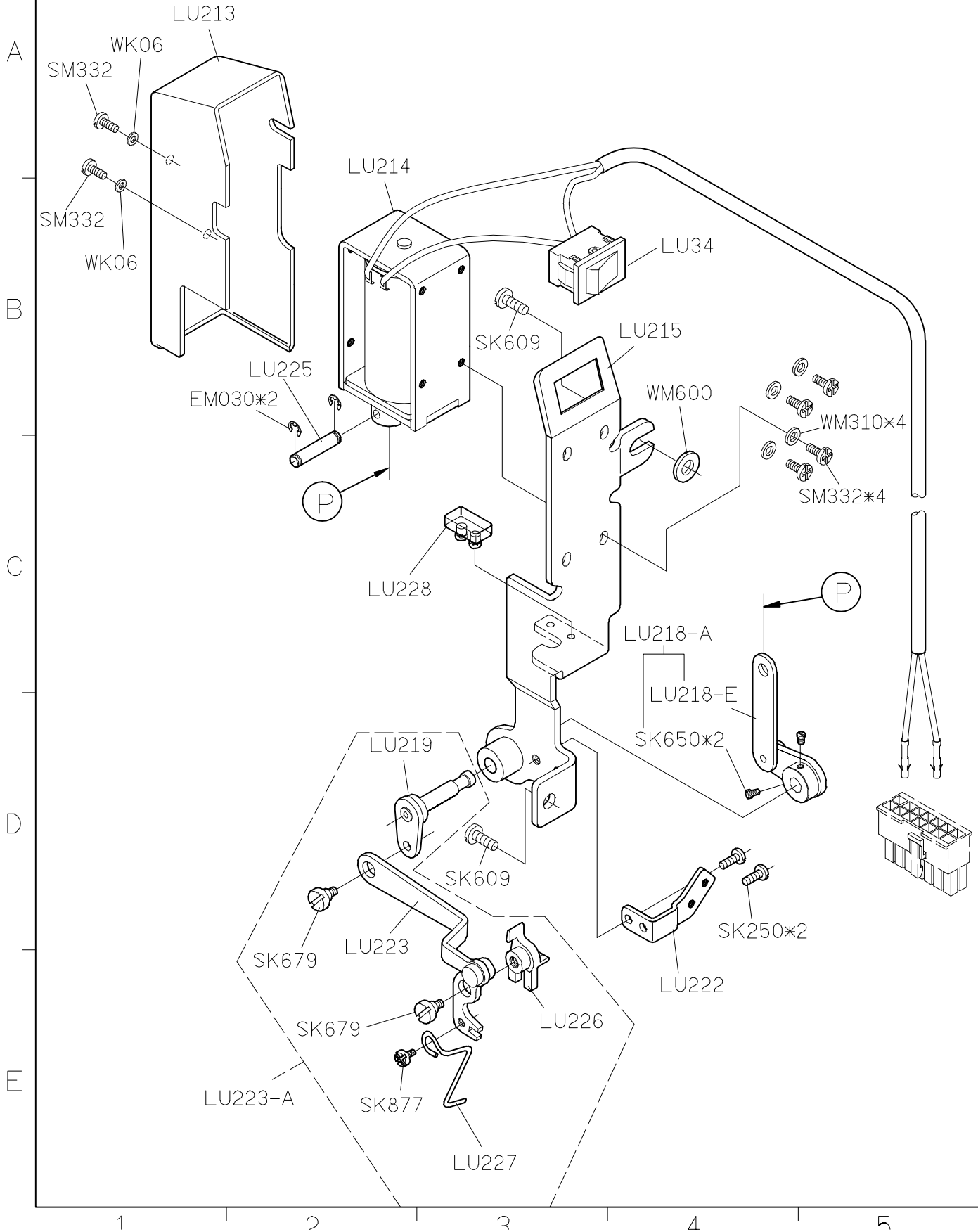
SIRUBA PARTS LIST	Series	Parts Group	Subclass / Remark	Page
	DL7000-RM1	LR		1/1
				Date
				2015/03/24



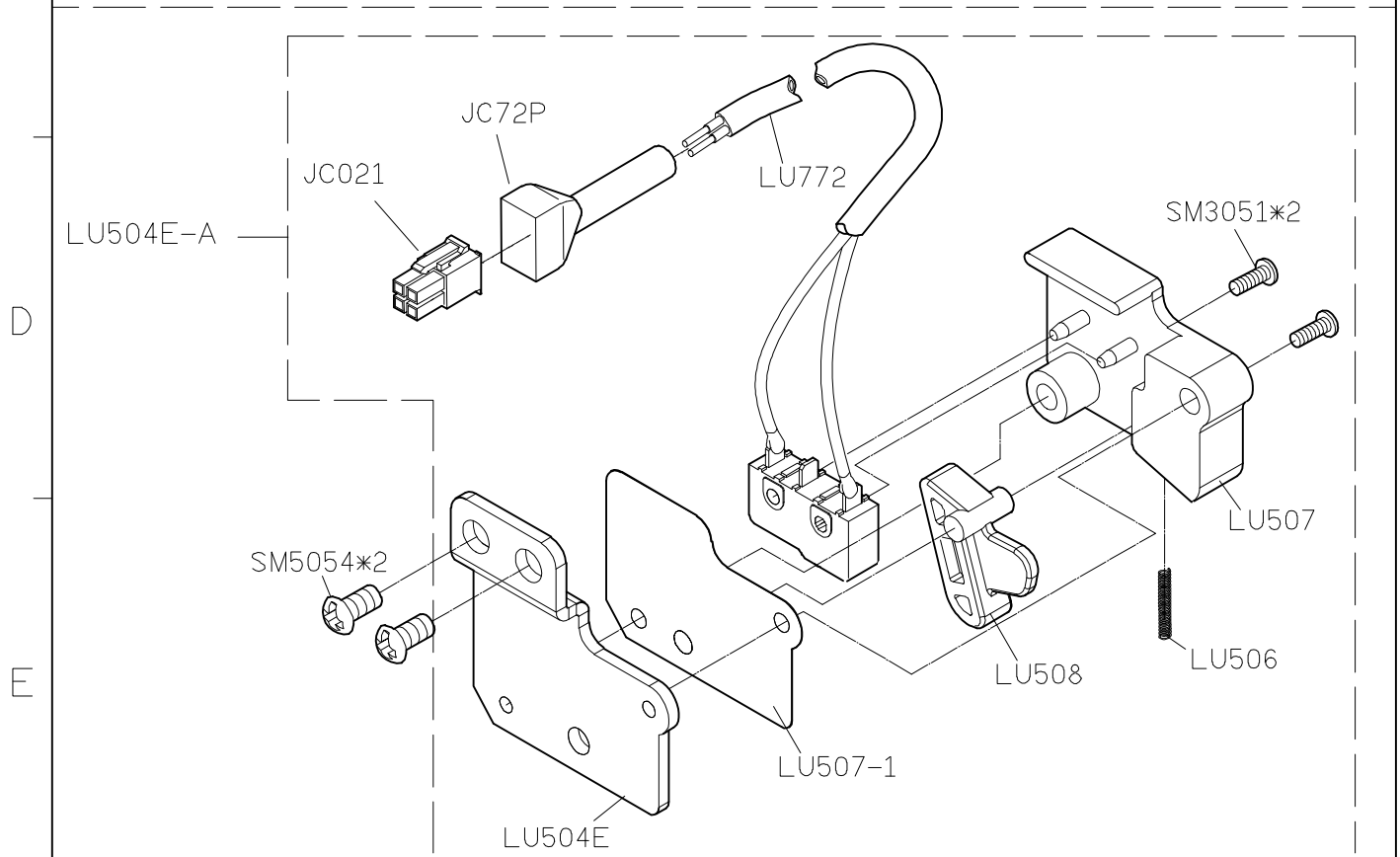
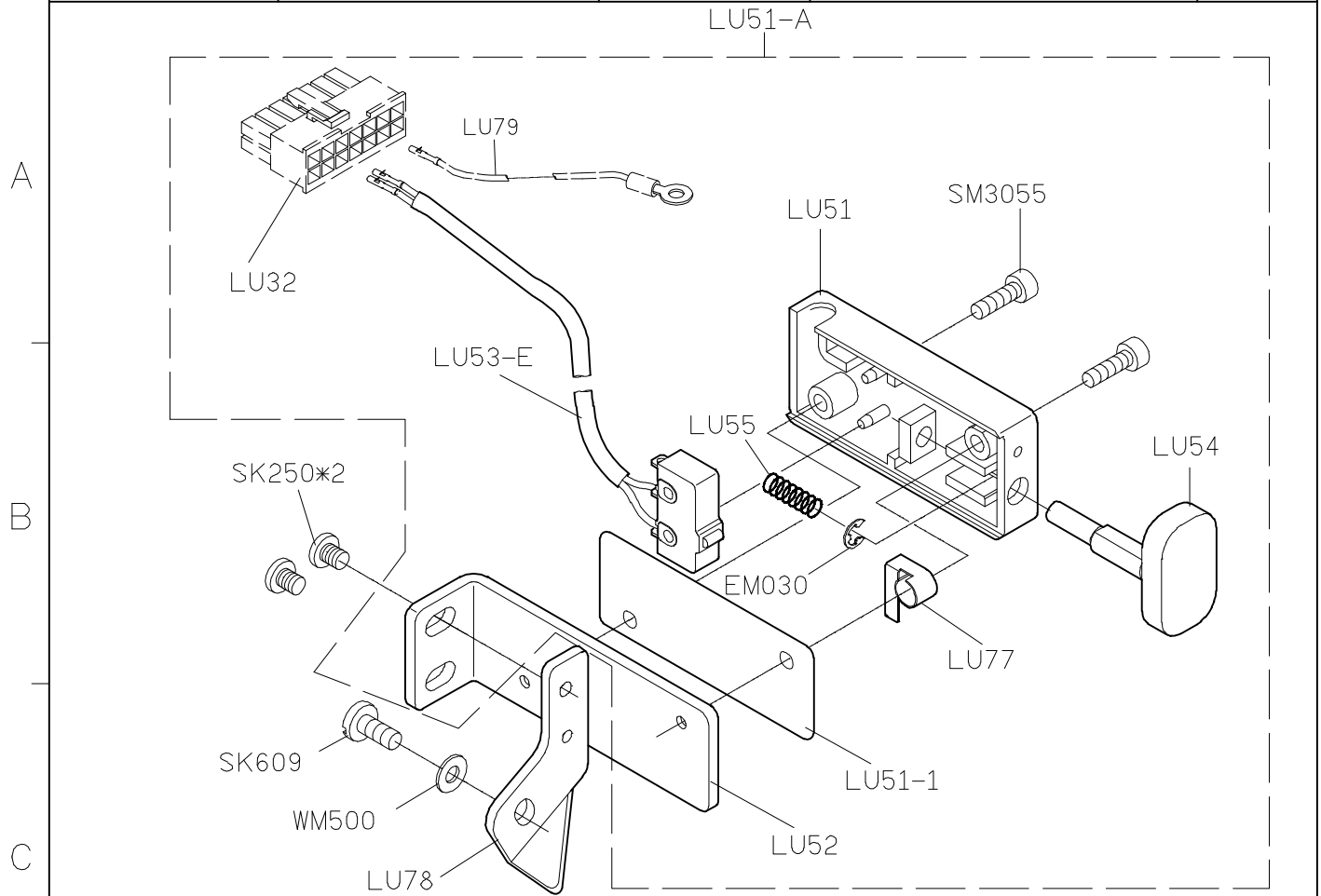


SIRUBA PARTS LIST	Series	Parts Group	Subclass / Remark	Page
	DL7000-RM1	LU		2/6
				Date
				2013/01/01

LU215-A



SIRUBA PARTS LIST	Series	Parts Group	Subclass / Remark	Page
	DL7000-RM1	LU		3/6
				Date
				2015/01/19



SIRUBA PARTS LIST	Series	Parts Group	Subclass / Remark	Page
	DL7000-RM1	LU		4/6
				Date
				2013/01/01

LU64F-A1

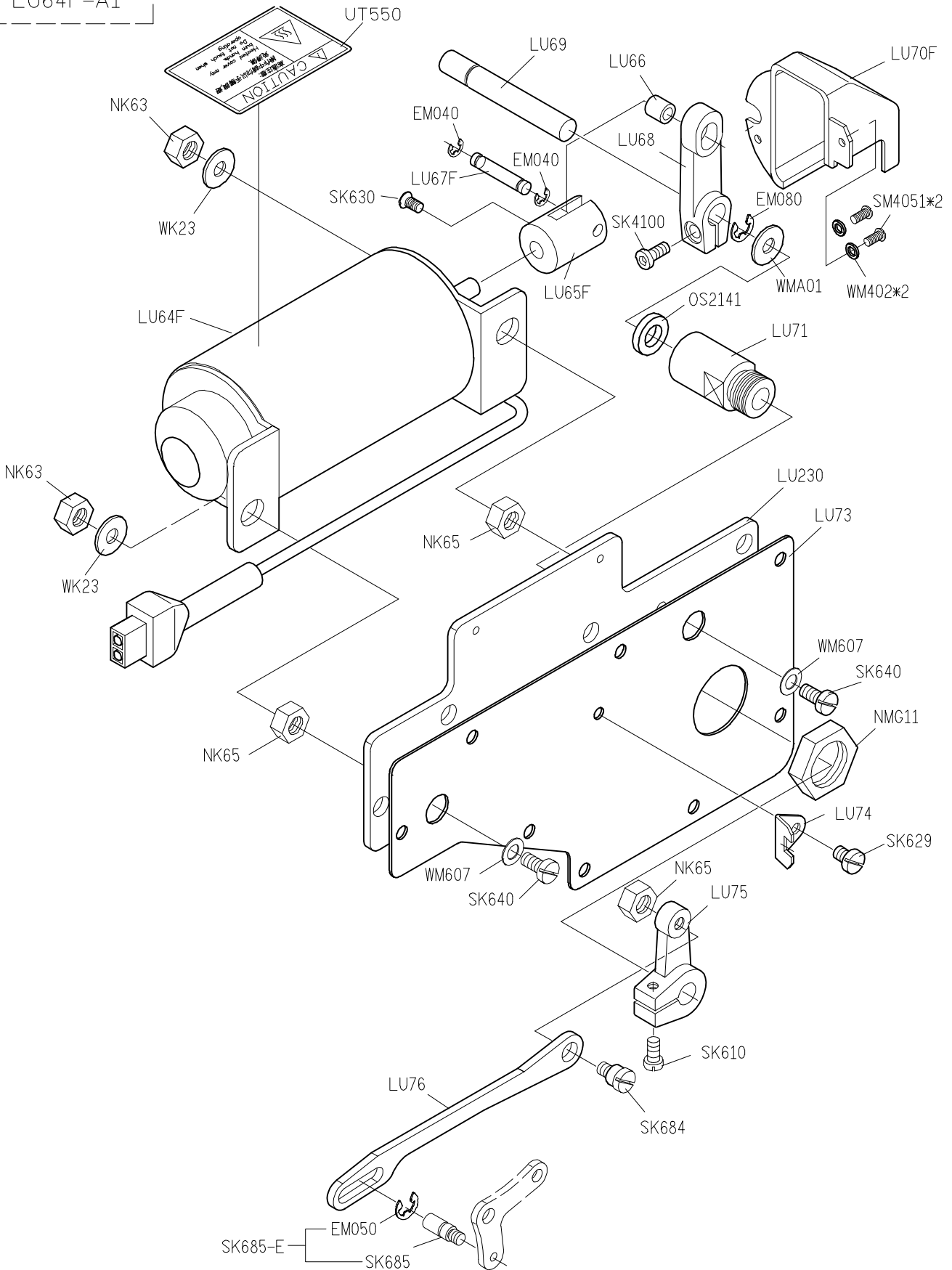
A

B

C

D

E



1

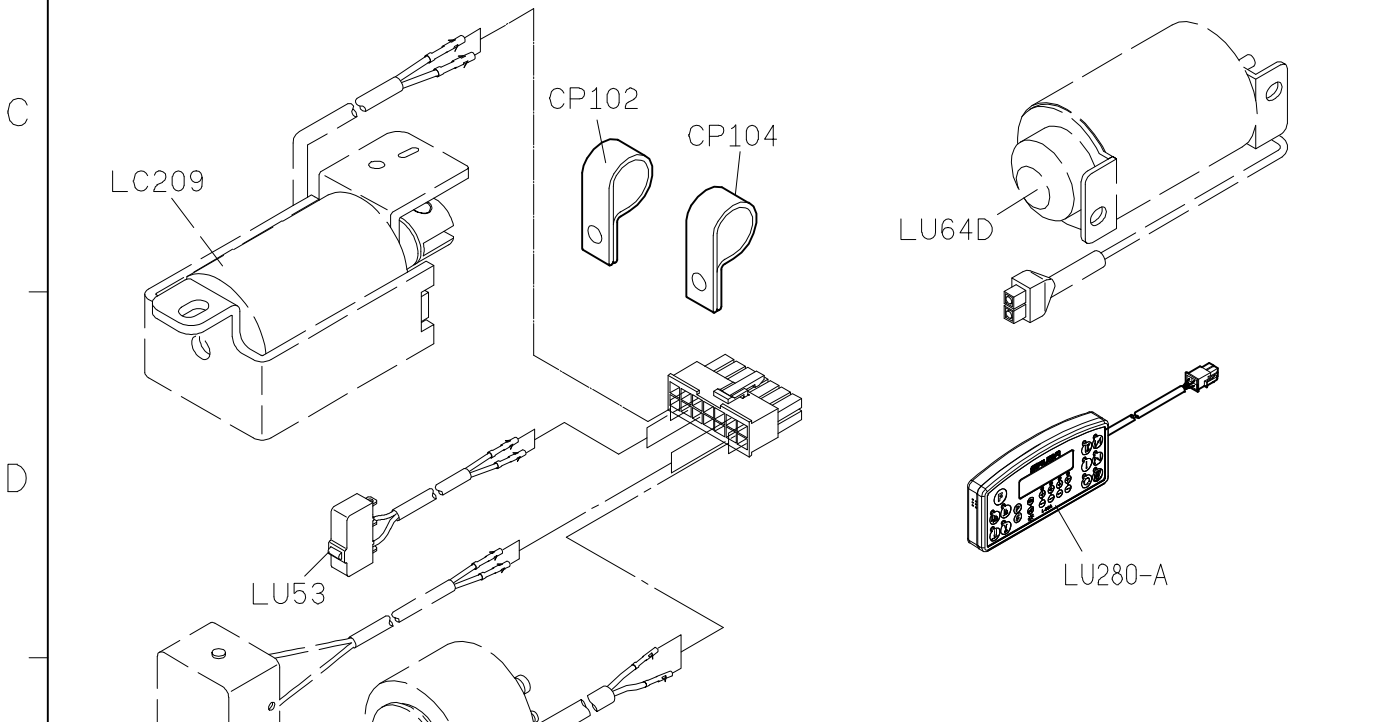
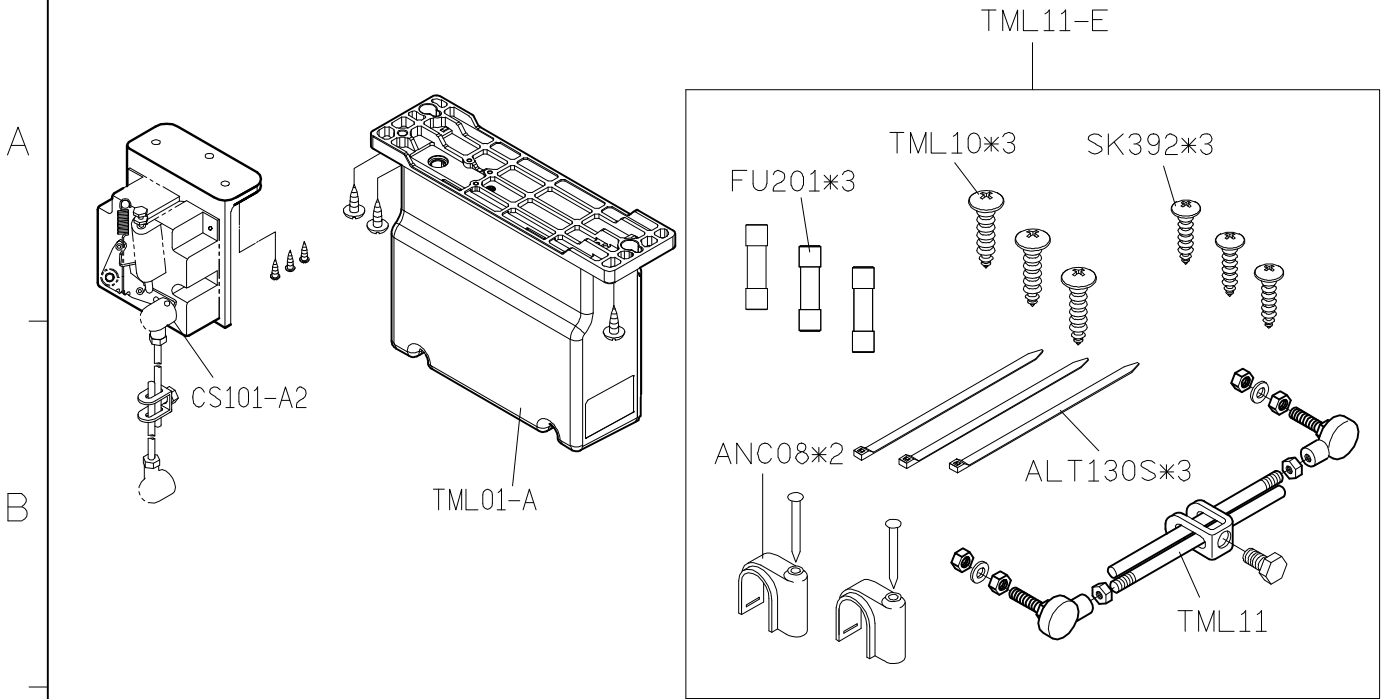
2

3

4

5

SIRUBA PARTS LIST	Series	Parts Group	Subclass / Remark	Page
	DL7000-RM1	LU		5/6
				Date
				2014/12/4



機 型	CP102使用數量	CP104使用數量
DL7000-XX-10	1	1
DL7000-XX-11	0	2
DL7000-XX-12	1	1
DL7000-XX-13	0	2

SIRUBA PARTS LIST	Series	Parts Group	Subclass / Remark	Page
	DL7000-RM1	LU		6/6
				Date
				2012/12/01

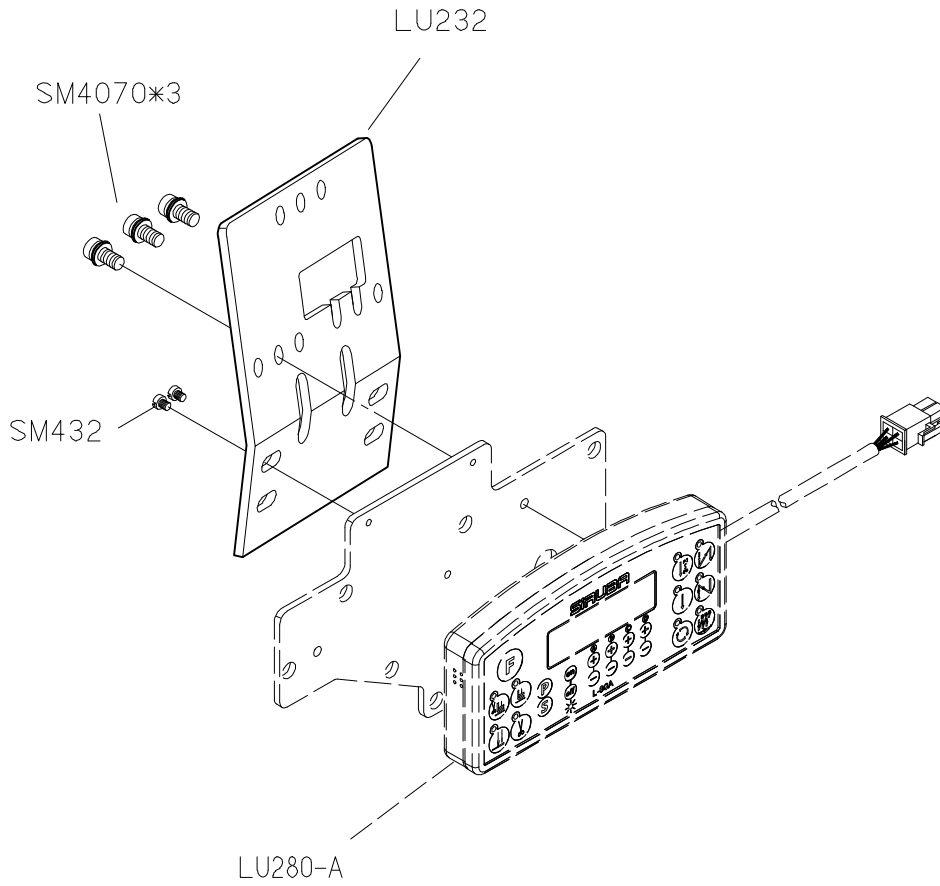
A

B

C

D

E



代碼 NO.	操作面板 Control Panel	代碼 NO.	自動切線 Auto THREAD Trimmer	快速倒縫 Reverse Feeding	撥線桿 Wiper	自動抬押具 Auto Lifer
1	LU280-A	0	√	√	—	—
		1	√	√	√	—
		2	√	√	—	√
		3	√	√	√	√

1

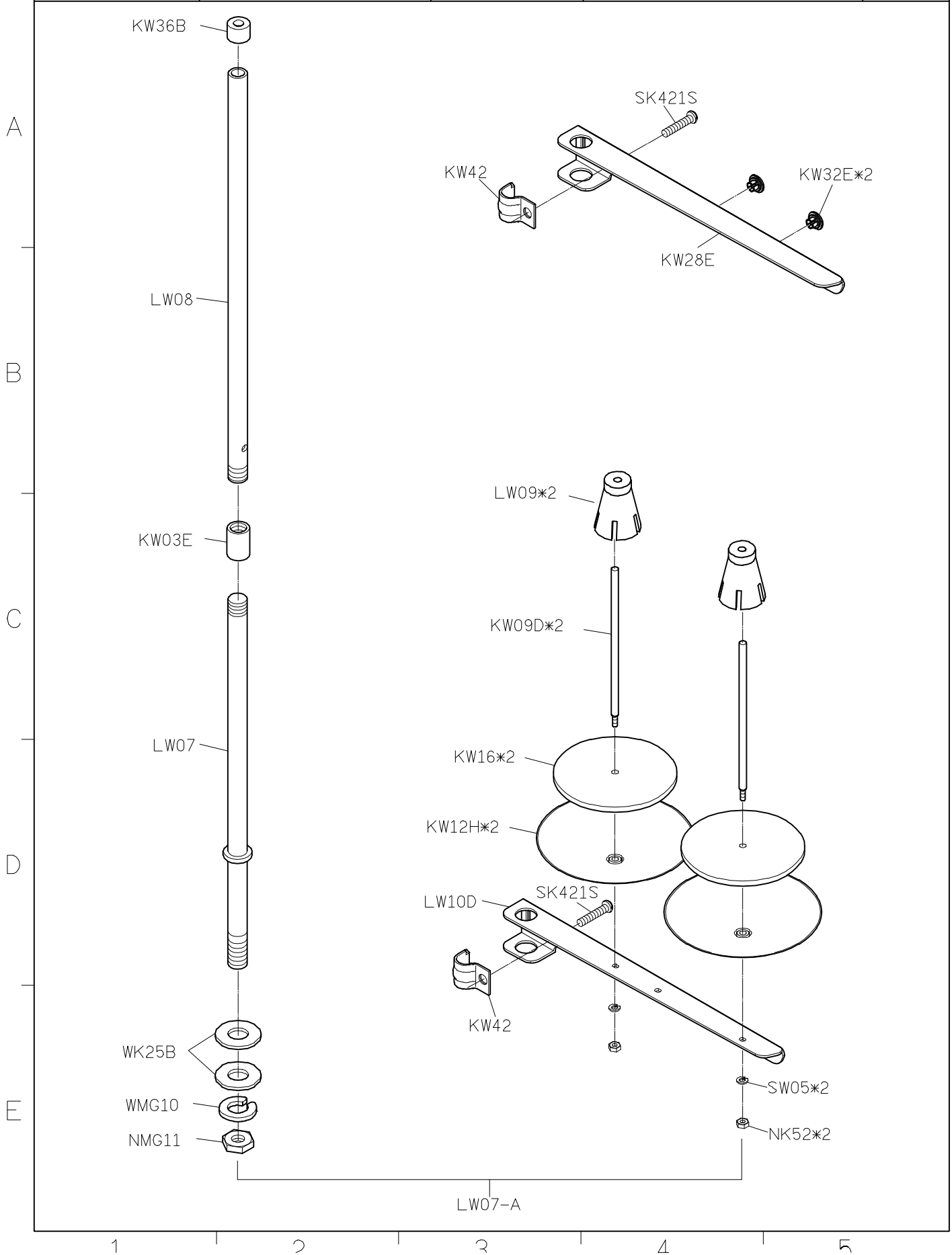
2

3

4

5

SIRUBA PARTS LIST	Series	Parts Group	Subclass / Remark	Page
	DL7000-RM1	LW		1/1
				Date
				2013/04/10



SIRUBA

PARTS LIST

Series

DL7000-RM1

Parts Group

LY

Subclass / Remark

Page

1/1

Date

2013/01/09

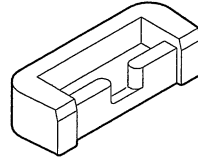
LY02



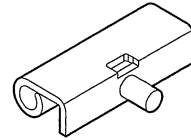
LY37-A



YM04*2



LY05*2

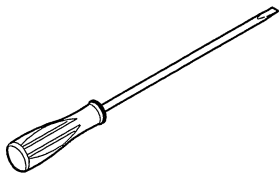


YM102*2

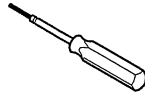


A

LY33



KY14



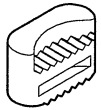
ALT104S*2



LY502K



YM103*2



B

針*2



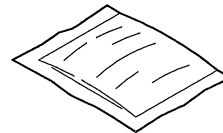
LY38



KY201



KZ03*1



G303



C

D

E

1

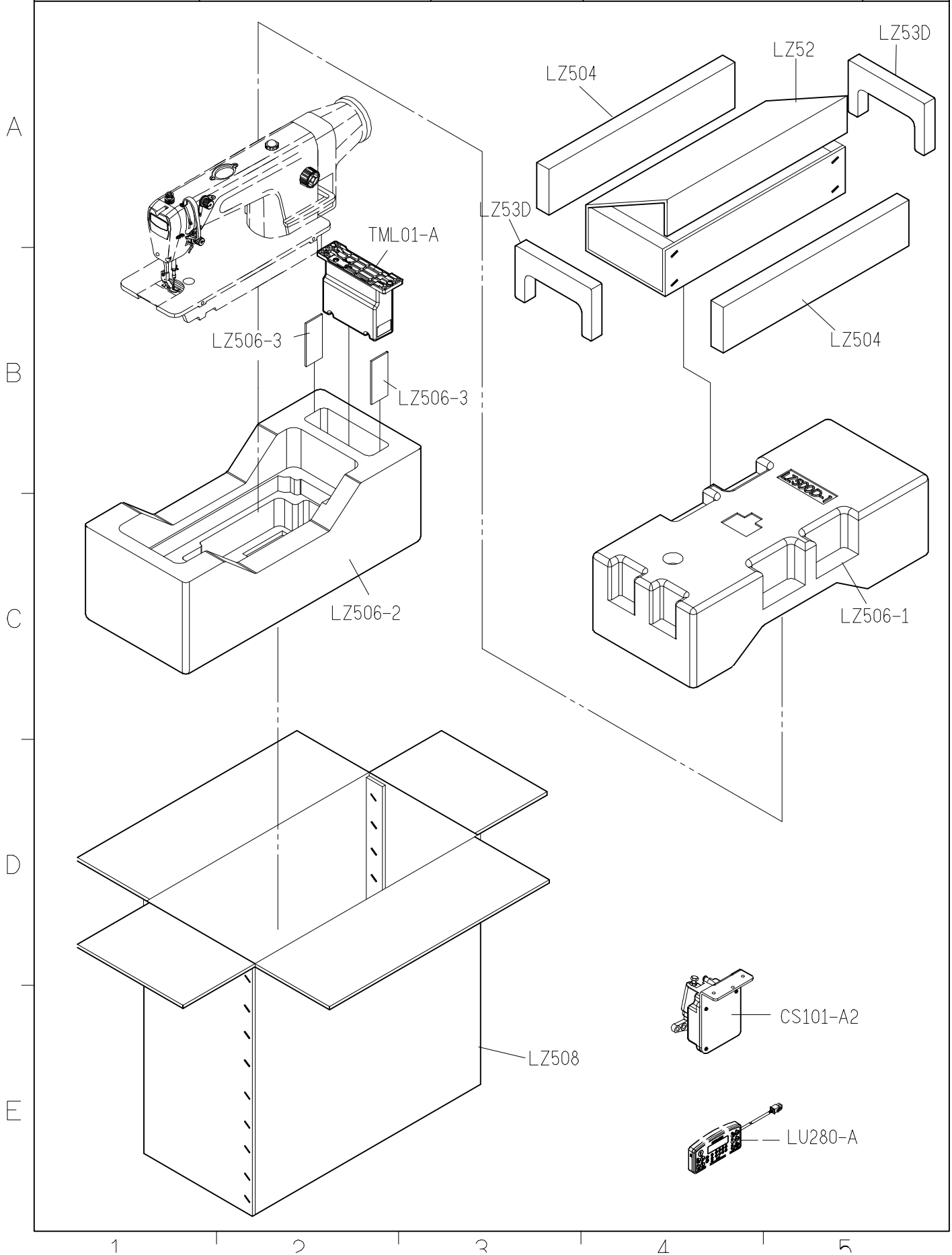
2

3

4

5

SIRUBA PARTS LIST	Series	Parts Group	Subclass / Remark	Page
	DL7000-RM1	LZ		1/1
				Date
				2013/01/01



SIRUBA TABLE CUT - OUT	Series	Item Code	Subclass / Remark	Mounting
	DL918/DL7000	DL918T-T1		Fully-submerged
				Date
				2013/01/01

