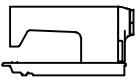




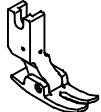





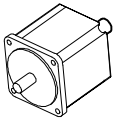


<b>SIRUBA</b> GAGE PARTS LIST	<b>Series</b>	<b>Remark</b>									<b>Page</b>	<b>Date</b>
	<b>DL7000</b>	<b>BM1/BH1</b>									1/1	2013/01/01

DL7000-BM/BH規格件表      CONVERSION CHART

P1

											
MODEL	SUB-CLASS	OPERATING PANEL	NEEDLE PLATE	FEED DOG	PRESSER FOOT	HOOK ASM	BOBBIN CASE ASM	BOBBIN	NEEDLE	HAND WHEEL	MOTOR
機 型	規 格	操作盒	針 板	送 具	押 具	梭 頭	梭 殼	梭 子	針 號	手 輪	馬 達
DL7000-BM1-10 ~ DL7000-BM1-13	薄中布 至 厚布料	LU280-A	E704	D701	P701	G121	G202	G303	DBX1#14	LH500-E	T50D8S11
DL7000-BM1A-10 ~ DL7000-BM1A-13			E704D	D702	P701	G121	G202	G303			
DL7000-BH1-10 ~ DL7000-BH1-13			E711	D711	P711	G125J	G202	G303	DBX1#21		
DL7000-BH1A-03 ~ DL7000-BH1A-13			E711D	D711D	P711D	G125J	G202	G303			

<b>SIRUBA</b> <b>MODEL COMPARE LIST</b>	Series	Remark	Page	Date
	DL918/DL7000	BM1/BH1	1/2	2012/11/01

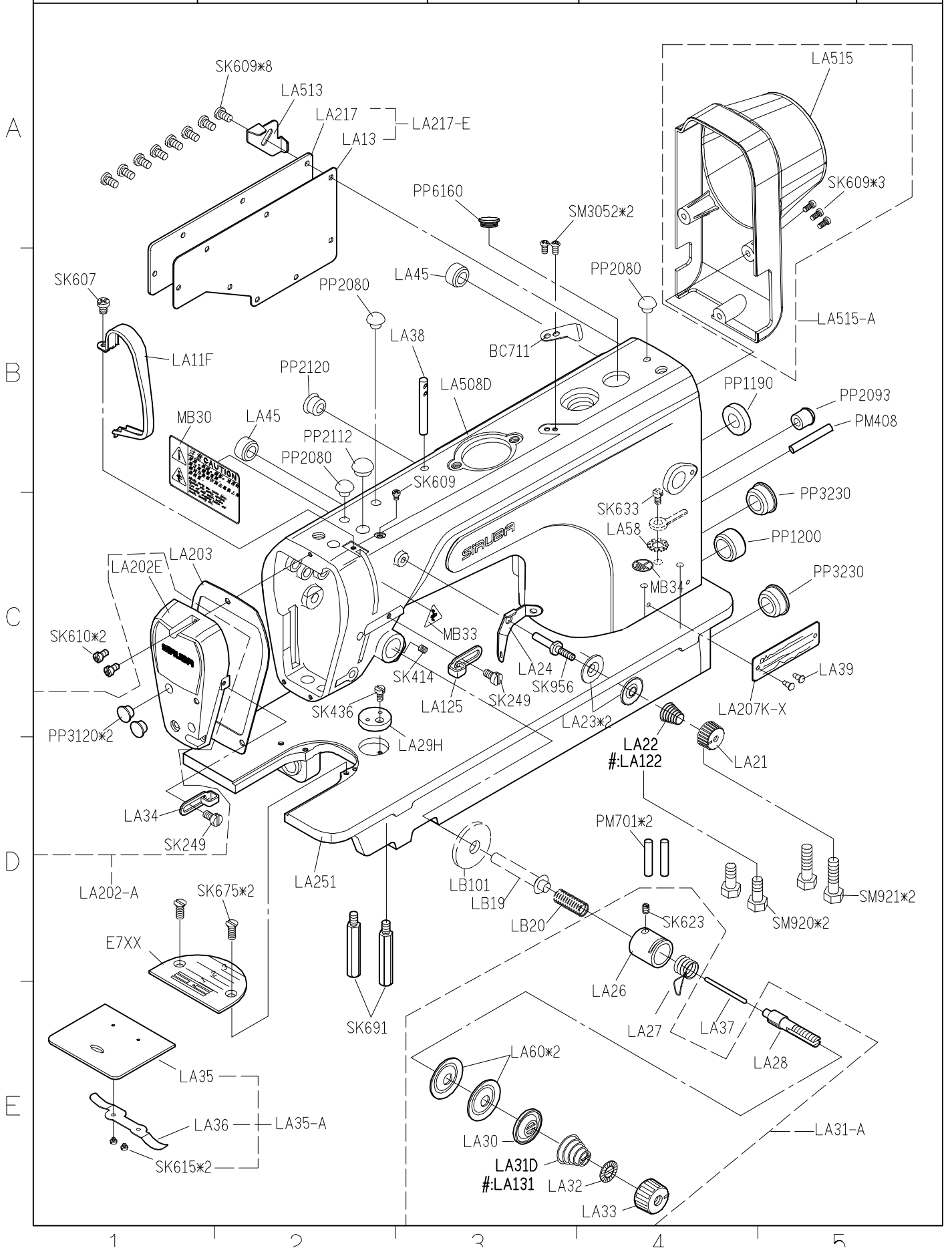
## DL918/DL7000 型別件表

										
MODEL	SUB-CLASS	SPRING	SPRING	NEEDLE BAR	BUSING	THRAD TAKE UP LEVER	THREAD GUIDE	THREAD GUIDE BAR	THREAD GUIDE	ADJUSTING KNOB
機 型	規 格	控線彈簧	控線彈簧	針棒	襯套	天秤	導線片	導線桿	導線環片	調整旋鈕
BM-XX	薄布料 ~ 中厚料	LA31	LA22	LG104H LG04	LG07	LG13	A LB06	-	LG09	LC623G
							B SK241			
BH-XX	中厚料 ~ 厚布料	LA131	LA122	LG104	LG107	LG113	-	A LB100	LG109	LC600G
								B LB106		
								C NK23		
								D WK09		

<b>SIRUBA</b> MODEL COMPARE LIST	Series	Remark	Page	Date
	DL918/DL7000	BM1/BH1	2/2	2013/06/10

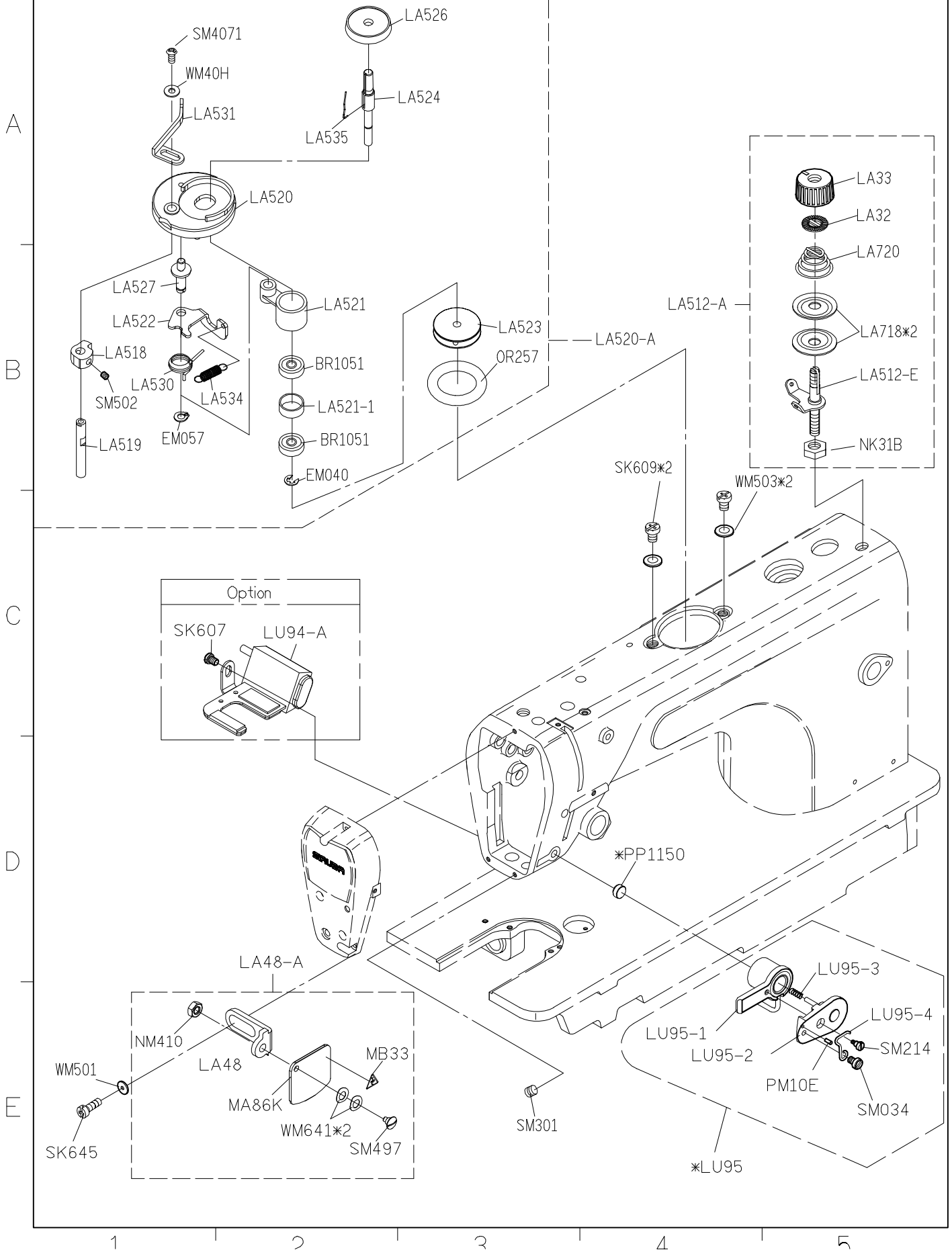
### DL918/DL7000 型別件表

								
MODEL	SUB-CLASS	CRANK SHAFT	FIXED PIN	COVER				
機 型	規 格	曲 軸	固 定 銷	護 蓋				
BM-XX	薄布料 ~ 中厚料	LG15	LC13	A	LG01			
				B	SK219			
BH-XX	中厚料 ~ 厚布料	LG615	LC613	A	LG101			
				B	SK501			



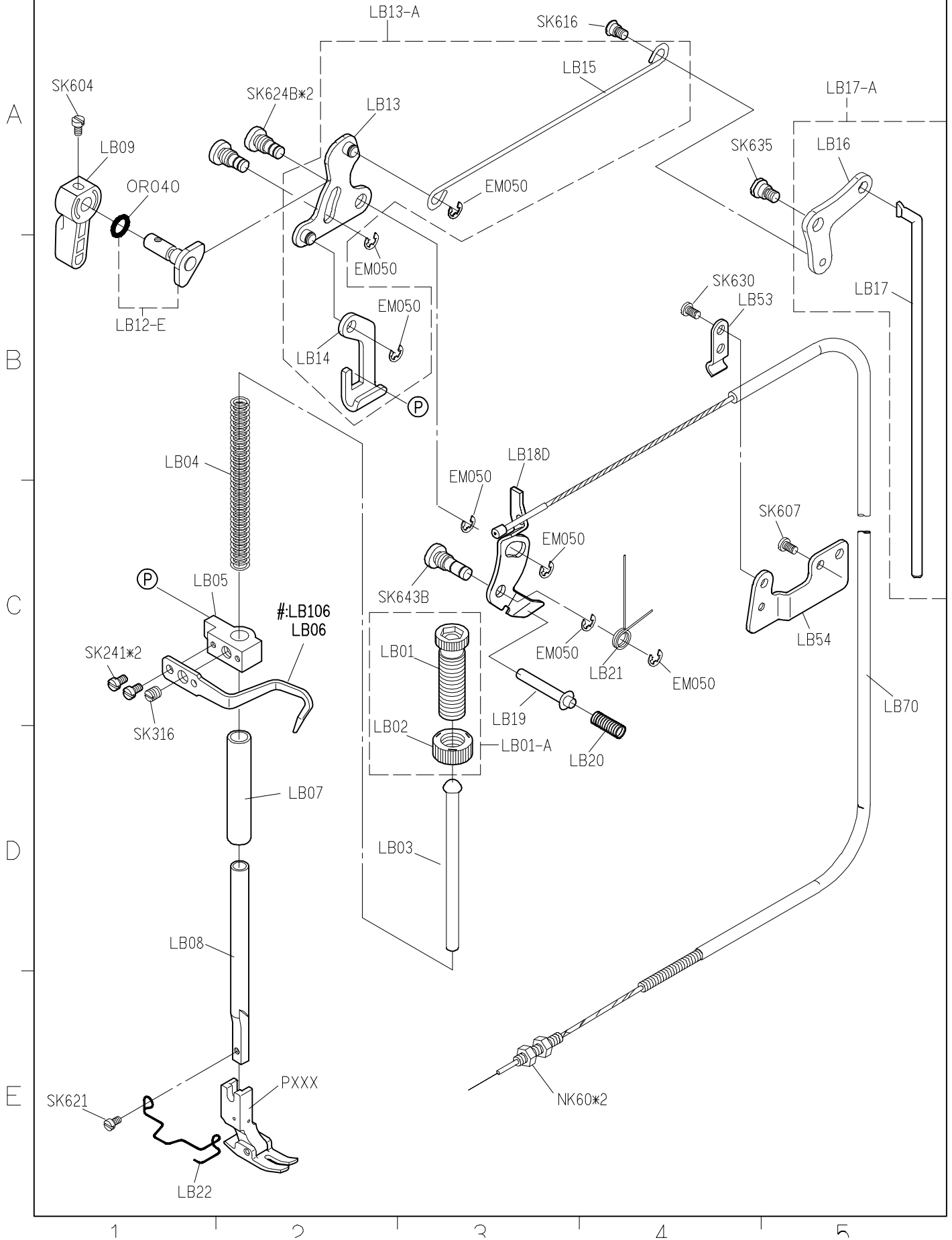
**SIRUBA****PARTS LIST****Series****DL7000-BM1/BH1****Parts Group****LA****Subclass / Remark**

\*Assemble PP1150, while  
disassembling LU95 .  
\*不裝LU95時, 組裝PP1150 .

**Page****2/2****Date****2015/04/15**

**SIRUBA****PARTS LIST****Series****DL7000-BM1/BH1****Parts Group****LB****Subclass / Remark**

#:Use for BH1

**Page****1/1****Date****2013/01/01**

**SIRUBA**

**PARTS LIST**

**Series**

**DL7000-BM1/BH1**

**Parts Group**

**LC**

**Subclass / Remark**

#:Use for BH1

**Page**

**1/2**

**Date**

**2013/11/15**

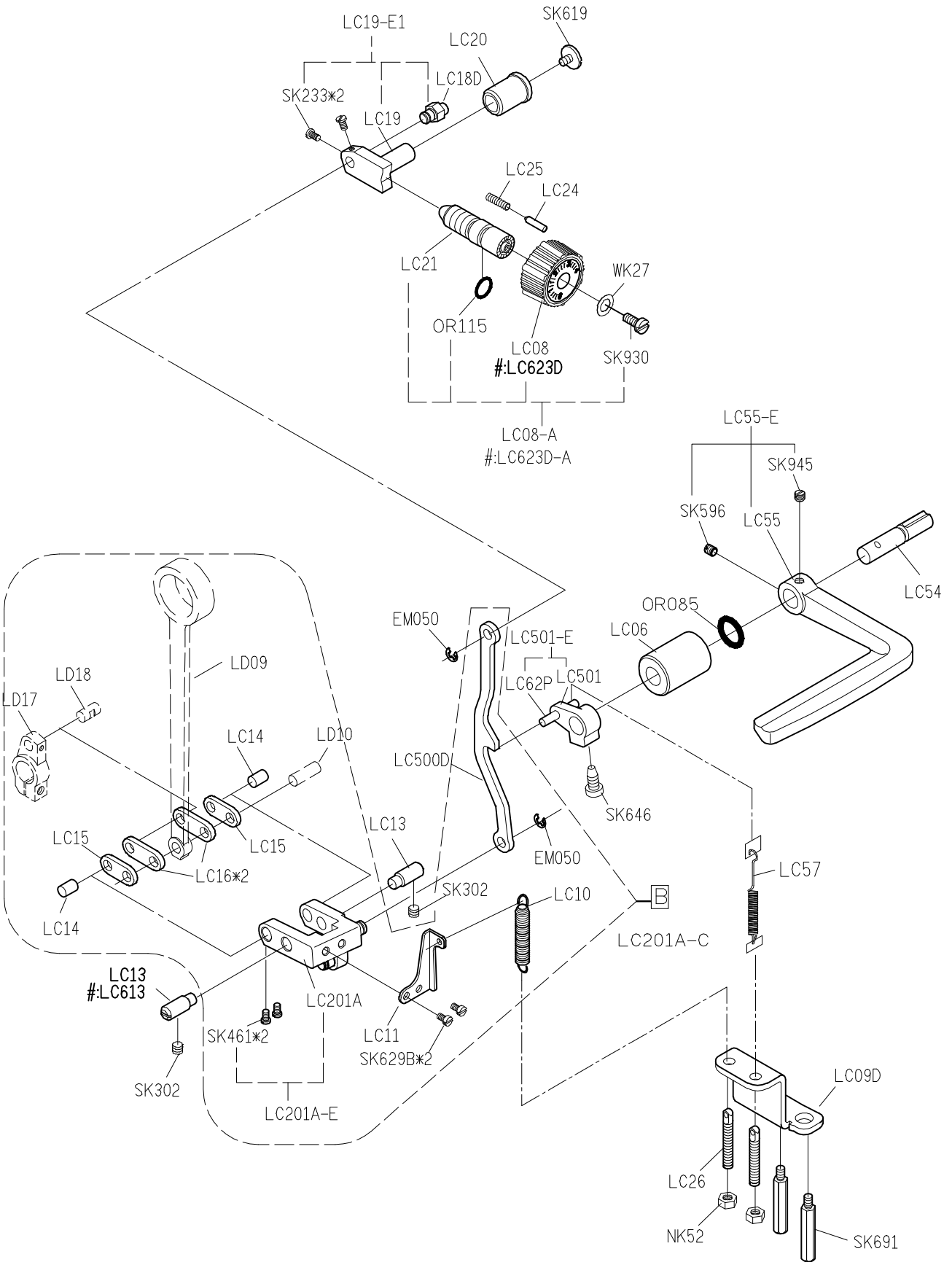
A

B

C

D

E



1

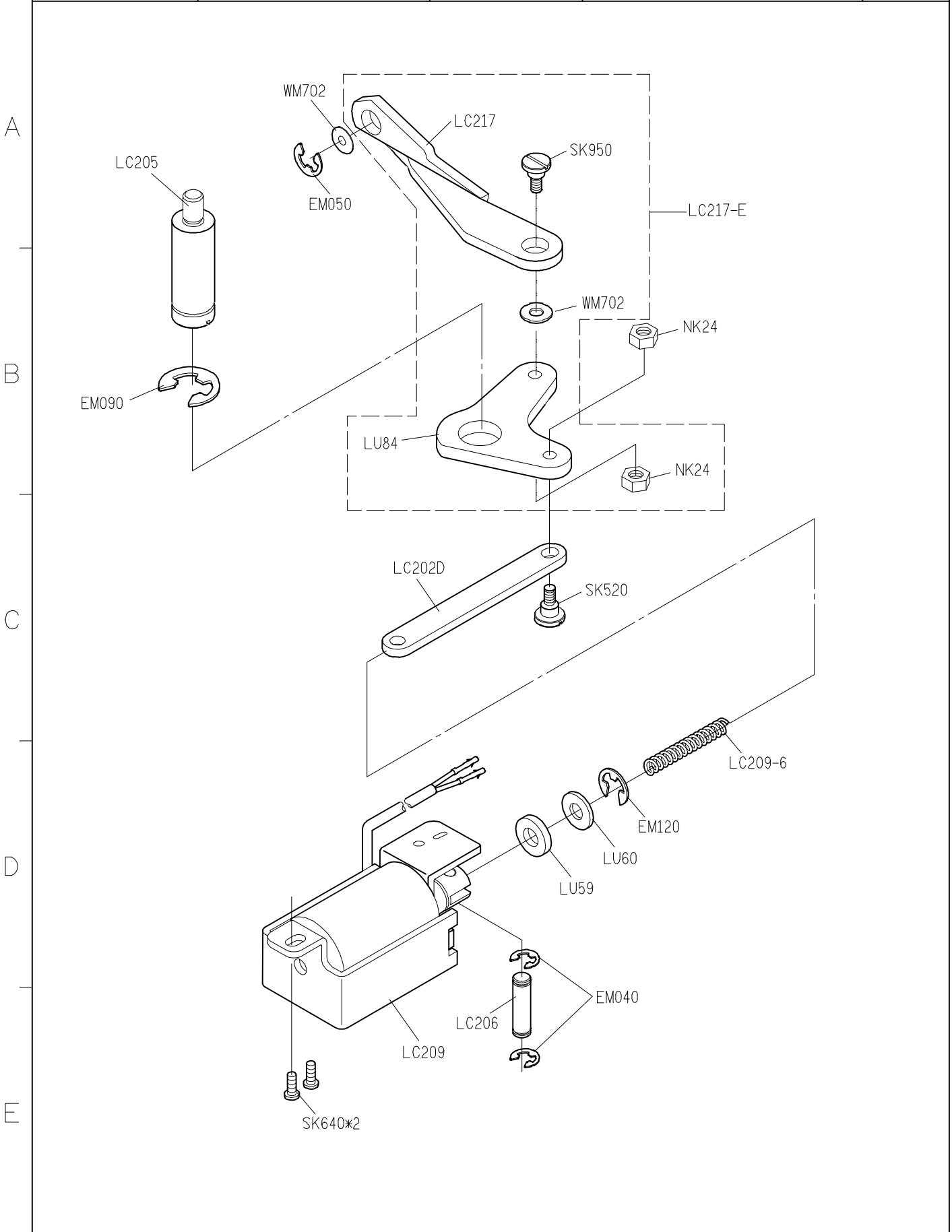
2

3

4

5

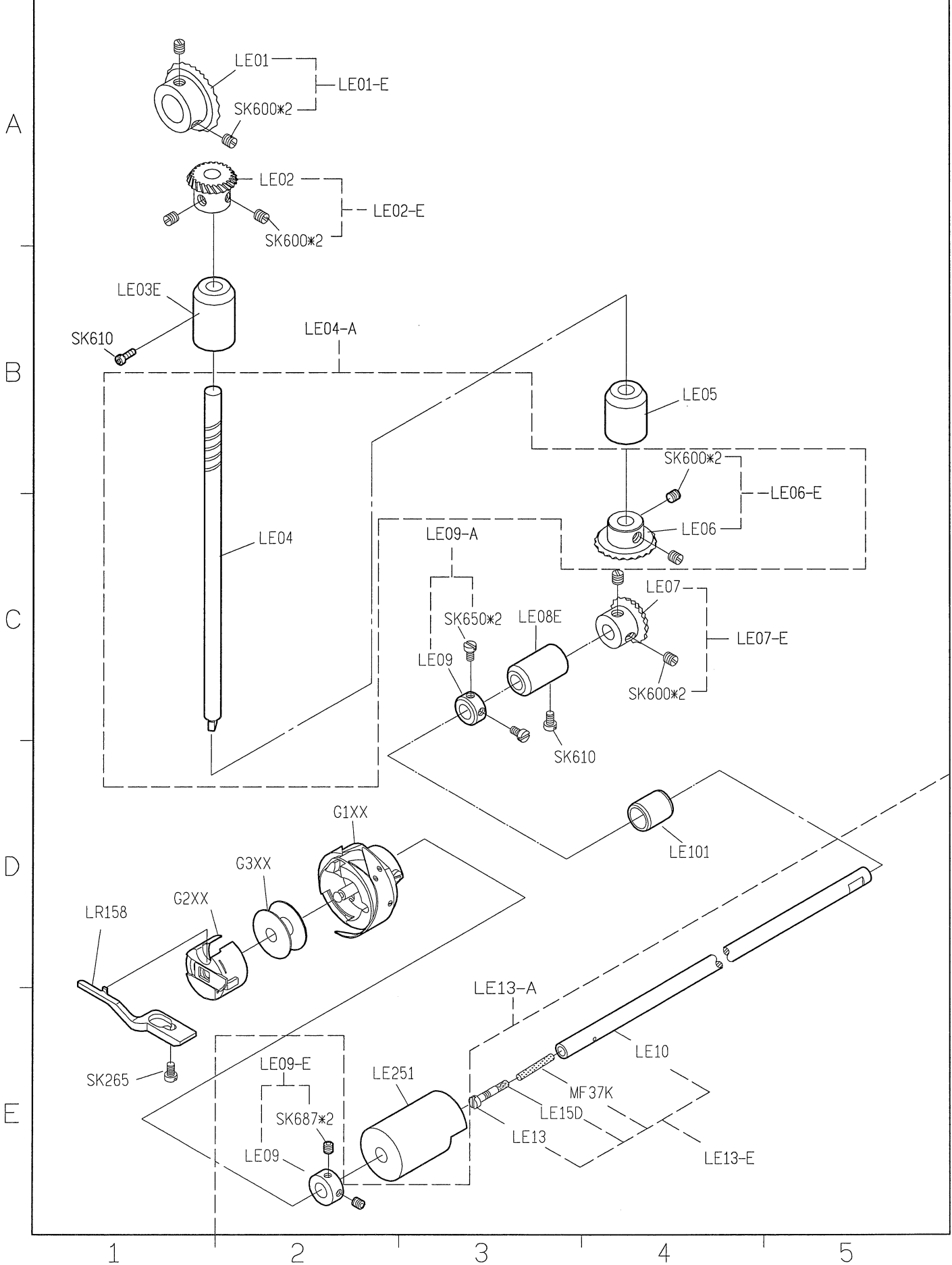
SIRUBA PARTS LIST	Series	Parts Group	Subclass / Remark	Page
	DL7000-BM1/BH1	LC		2/2
				Date
				2014/05/08





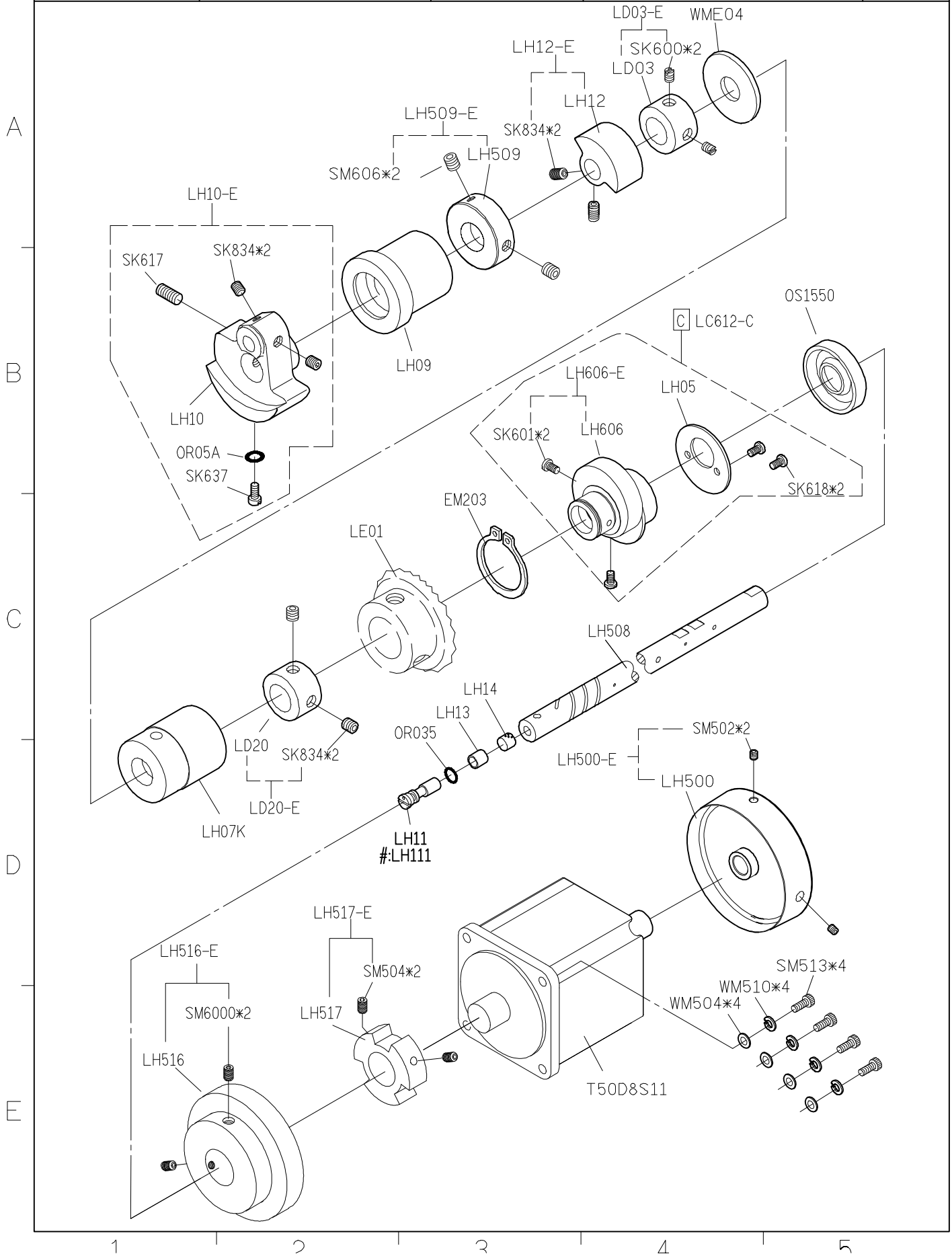


<b>SIRUBA</b> PARTS LIST	Series	Parts Group	Subclass / Remark	Page
	DL7000-BM1/BH1	LE		1/1
				Date
				2015/07/28





<b>SIRUBA</b>  <b>PARTS LIST</b>	<b>Series</b>	<b>Parts Group</b>	<b>Subclass / Remark</b>	<b>Page</b>
	<b>DL7000-BM1/BH1</b>	<b>LH</b>		<b>1/1</b>
				<b>Date</b>
				<b>2014/09/12</b>



**SIRUBA**

**PARTS LIST**

**Series**

**DL7000-BM1/BH1**

**Parts Group**

**LL**

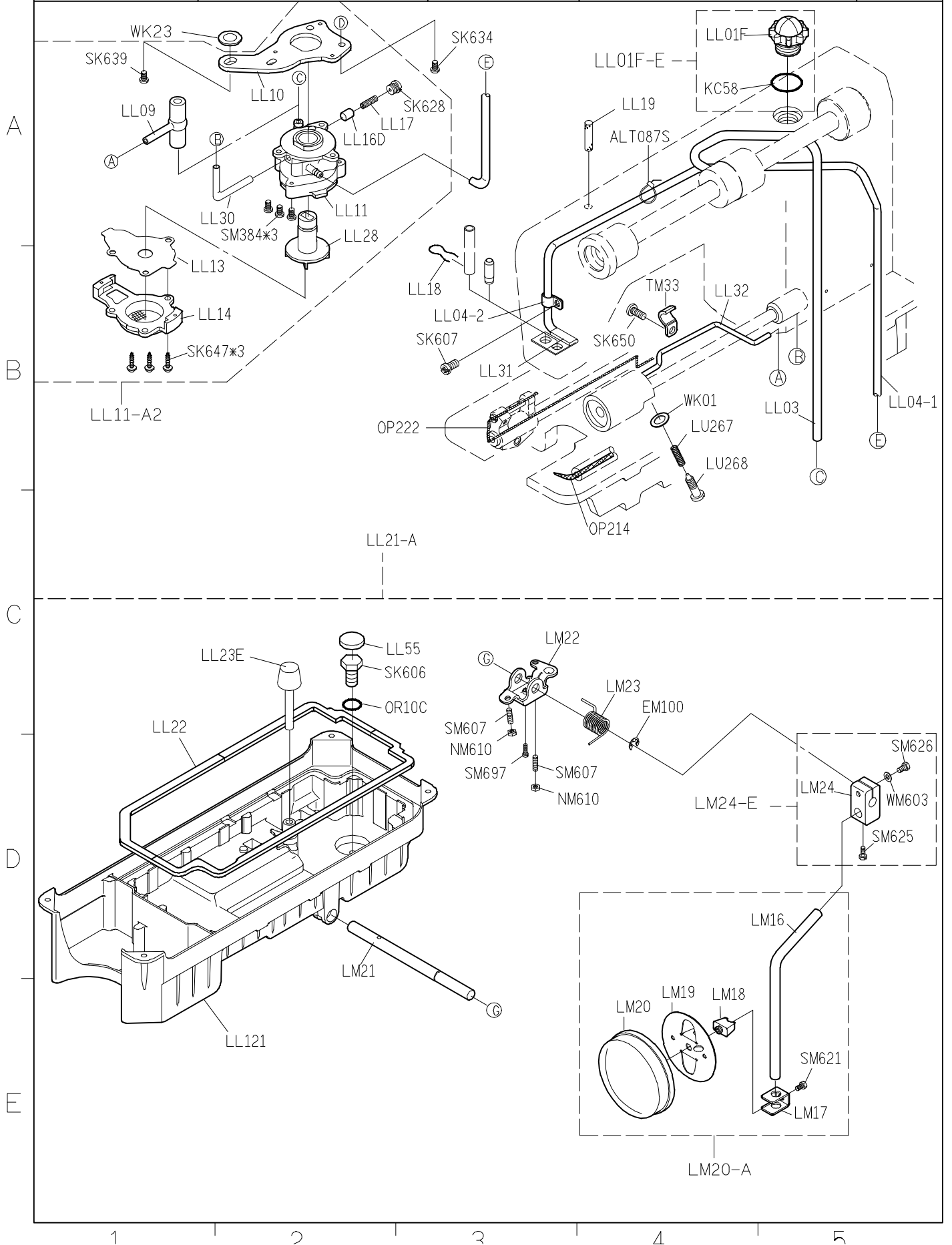
**Subclass / Remark**

**Page**

1/1

**Date**

2015/03/24





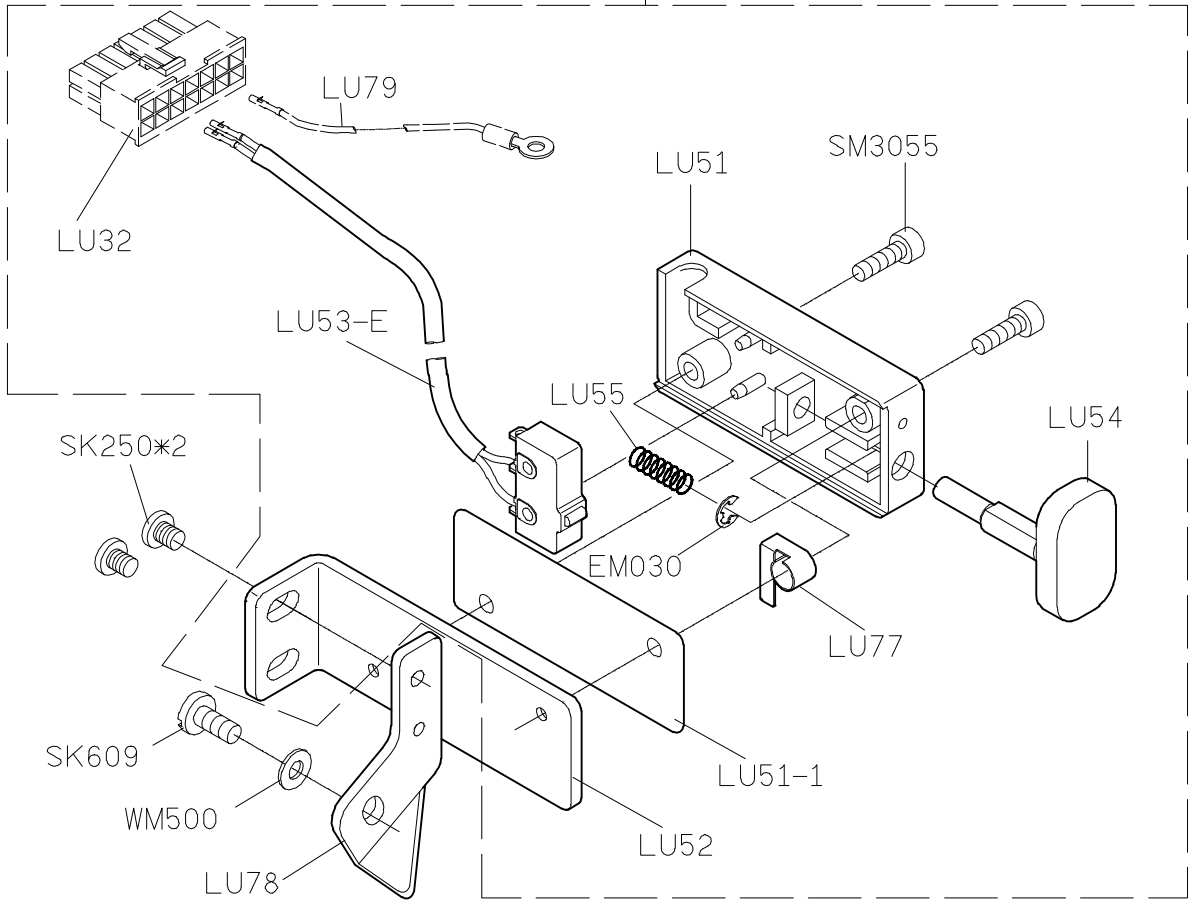
<b>SIRUBA</b>  <b>PARTS LIST</b>	<b>Series</b>	<b>Parts Group</b>	<b>Subclass / Remark</b>	<b>Page</b>
	DL7000-BM1/BH1	<b>LU</b>		<b>2/5</b>
				<b>Date</b>
				2015/01/19

LU51-A

A

B

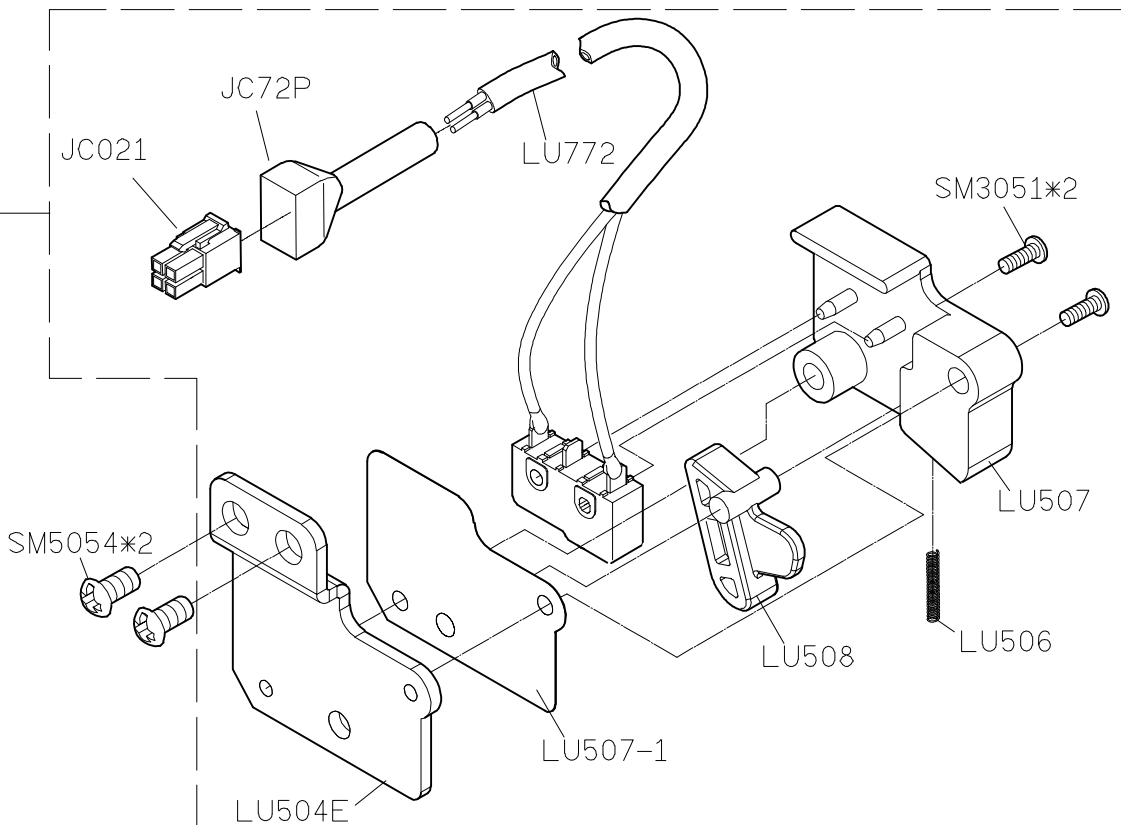
C



D

E

LU504E-A



1

2

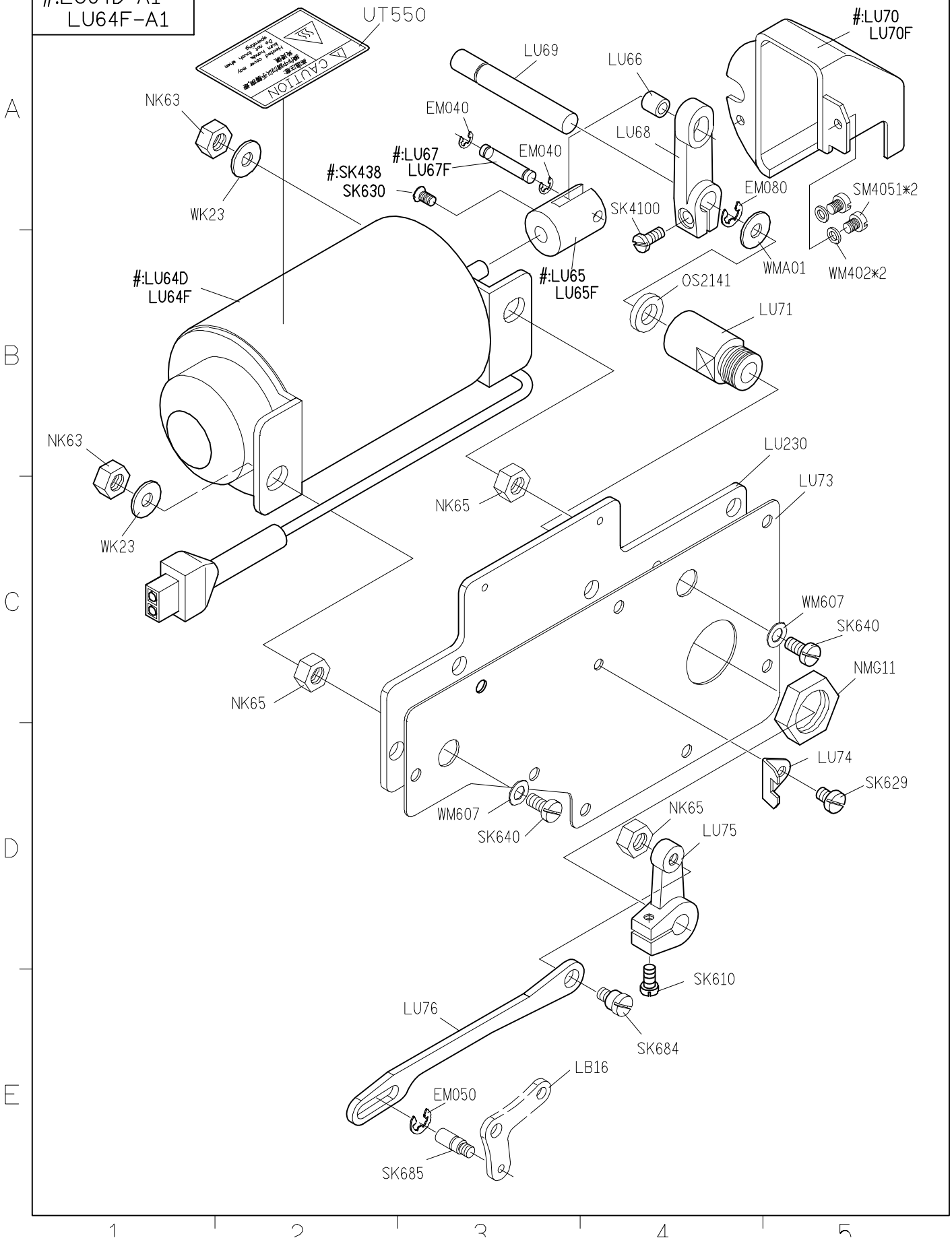
3

4

5

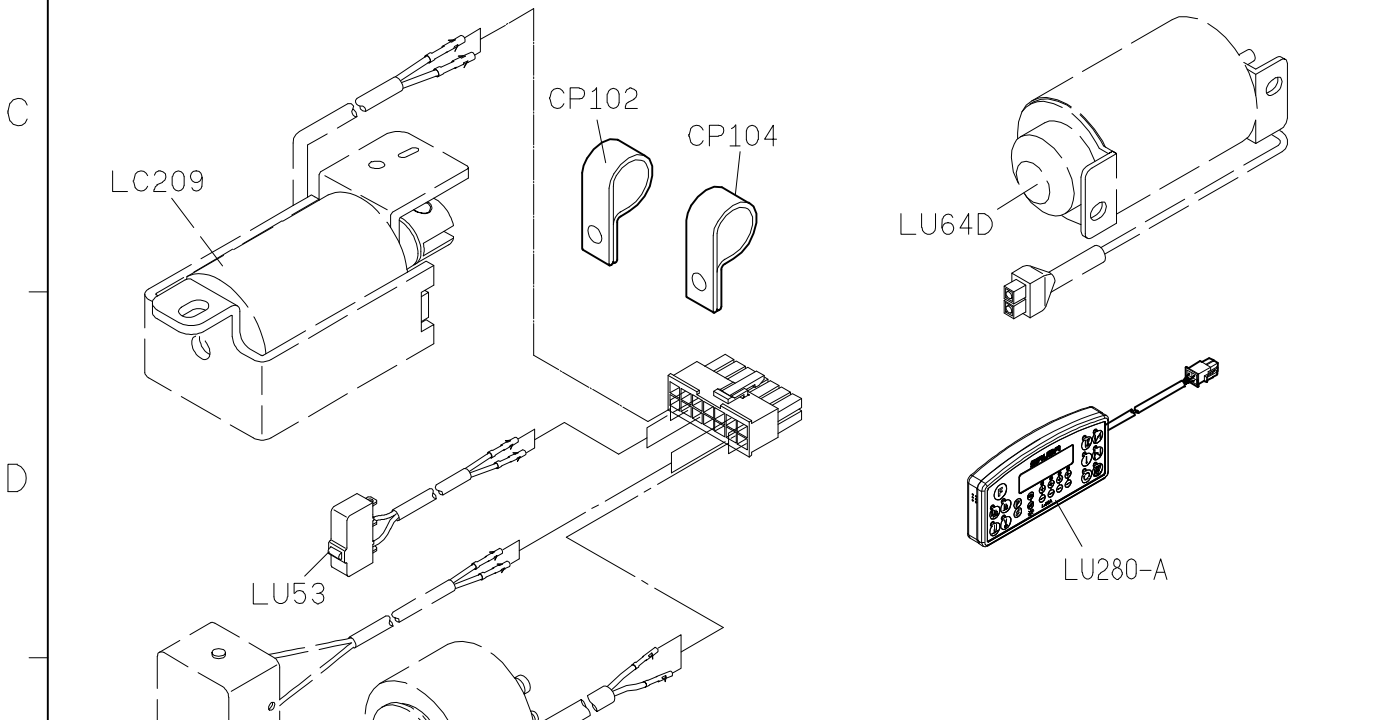
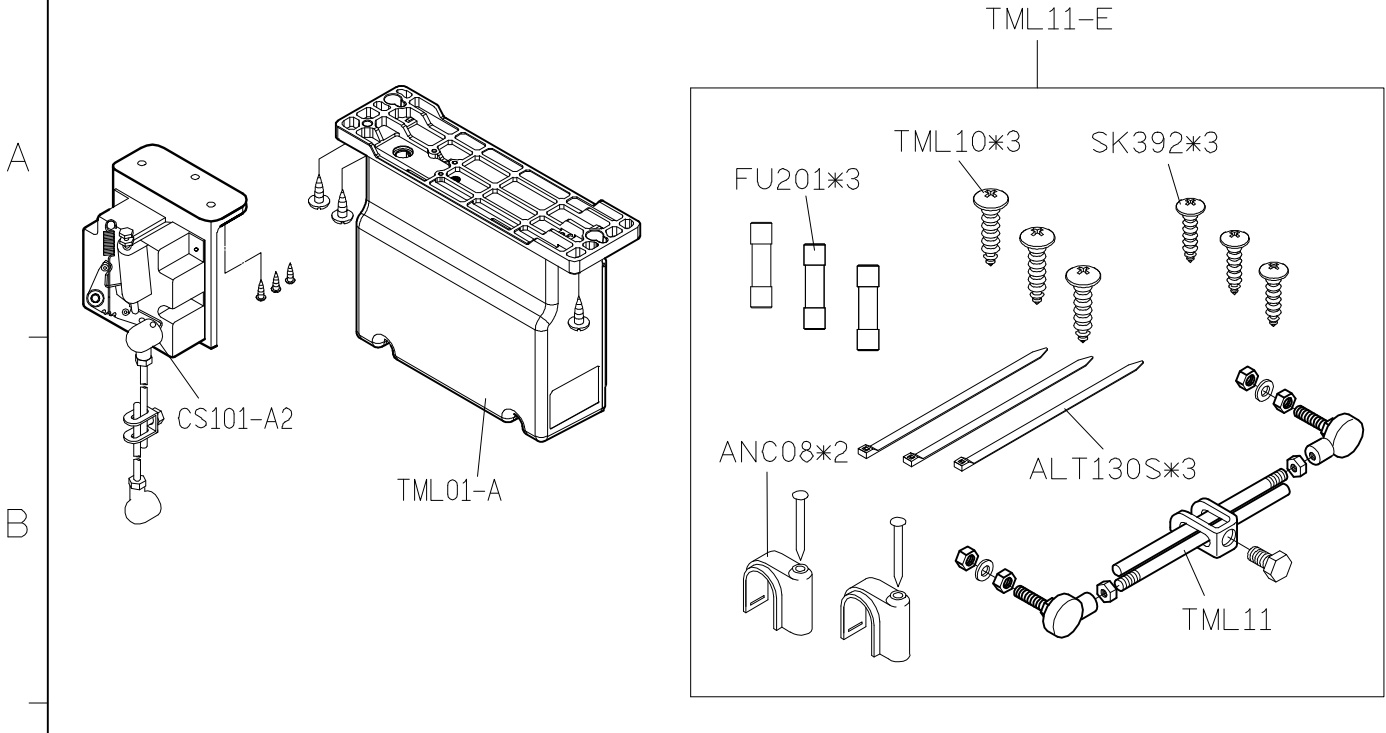
<b>SIRUBA</b>  <b>PARTS LIST</b>	<b>Series</b>	<b>Parts Group</b>	<b>Subclass / Remark</b>	<b>Page</b>
	DL7000-BM1/BH1	<b>LU</b>	#:Use for BH1	<b>3/5</b>
				<b>Date</b>
				2013/01/01

#:LU64D-A1  
LU64F-A1





<b>SIRUBA</b>  <b>PARTS LIST</b>	<b>Series</b>	<b>Parts Group</b>	<b>Subclass / Remark</b>	<b>Page</b>
	<b>DL7000-BM1/BH1</b>	<b>LU</b>		<b>4/5</b>
				<b>Date</b>
				2014/12/4



機 型	CP102使用數量	CP104使用數量
DL7000-XX-10	1	1
DL7000-XX-11	0	2
DL7000-XX-12	1	1
DL7000-XX-13	0	2

<b>SIRUBA</b> <b>PARTS LIST</b>	Series	Parts Group	Subclass / Remark	Page
	DL7000-BM1/BH1	LU		5/5
				Date
				2012/12/01

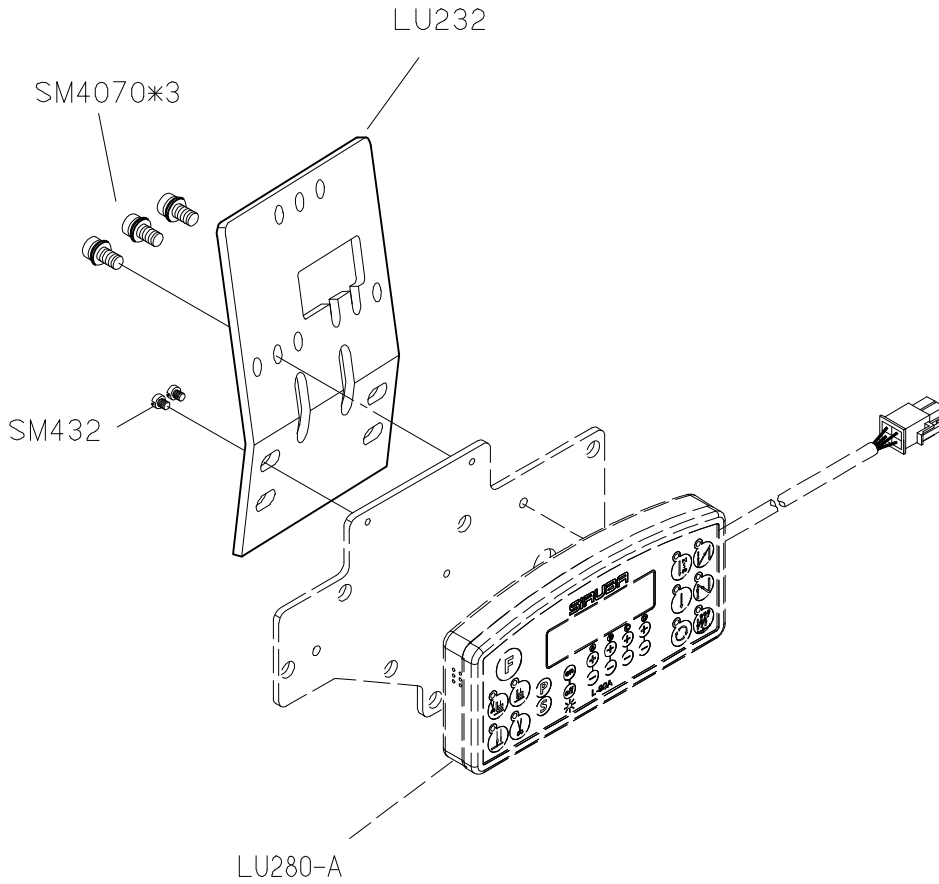
A

B

C

D

E



代碼 NO.	操作面板 Control Panel	代碼 NO.	自動切線 Auto THREAD Trimmer	快速倒縫 Reverse Feeding	撥線桿 Wiper	自動抬押具 Auto Lifer
1	LU280-A	0	√	√	-	-
		1	√	√	√	-
		2	√	√	-	√
		3	√	√	√	√

1

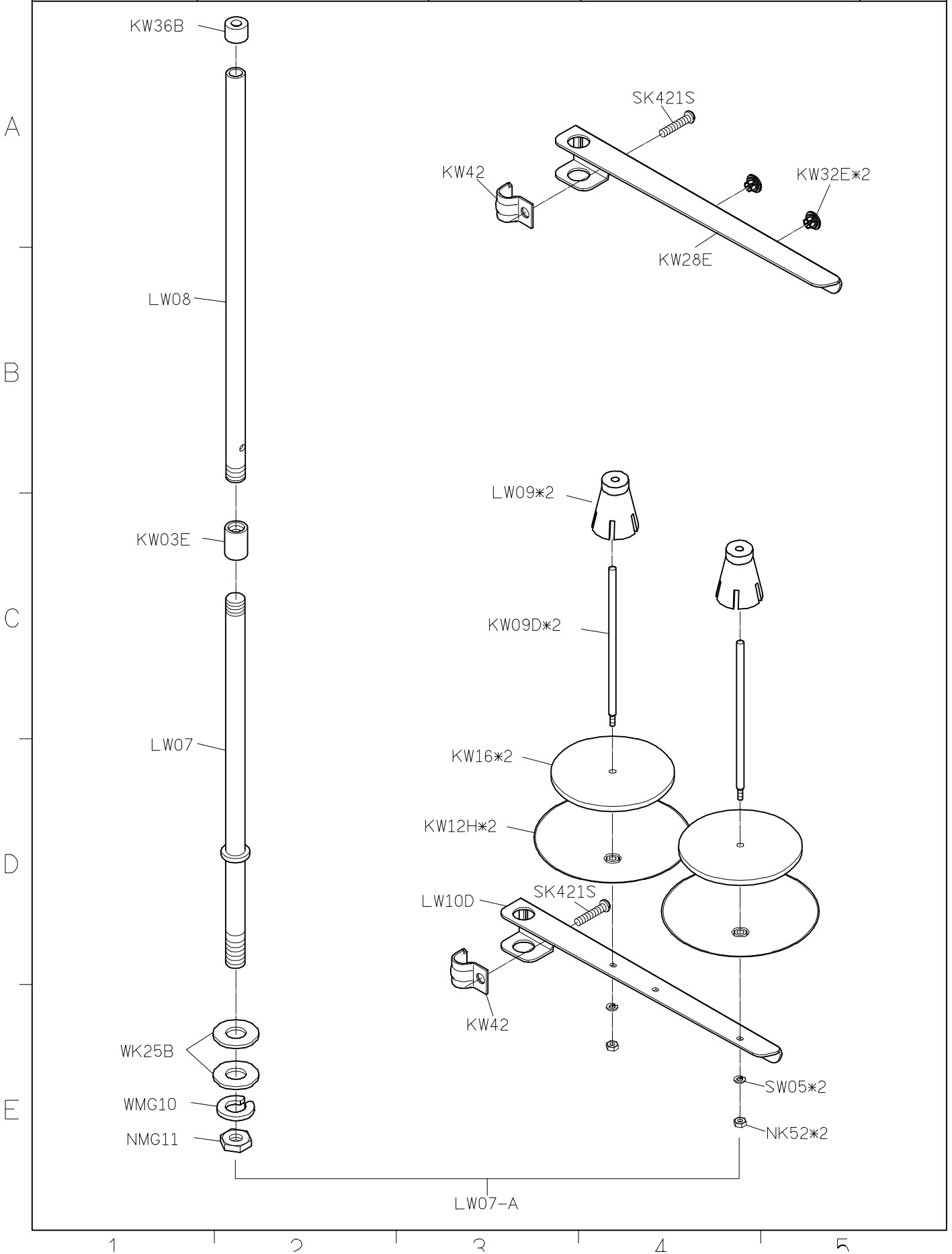
2

3


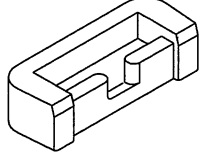
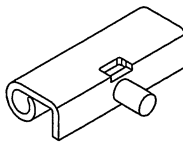

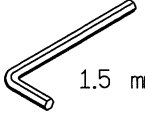
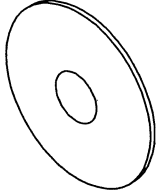

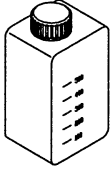
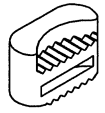
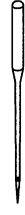

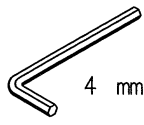


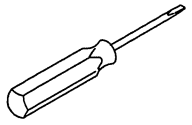
4

5

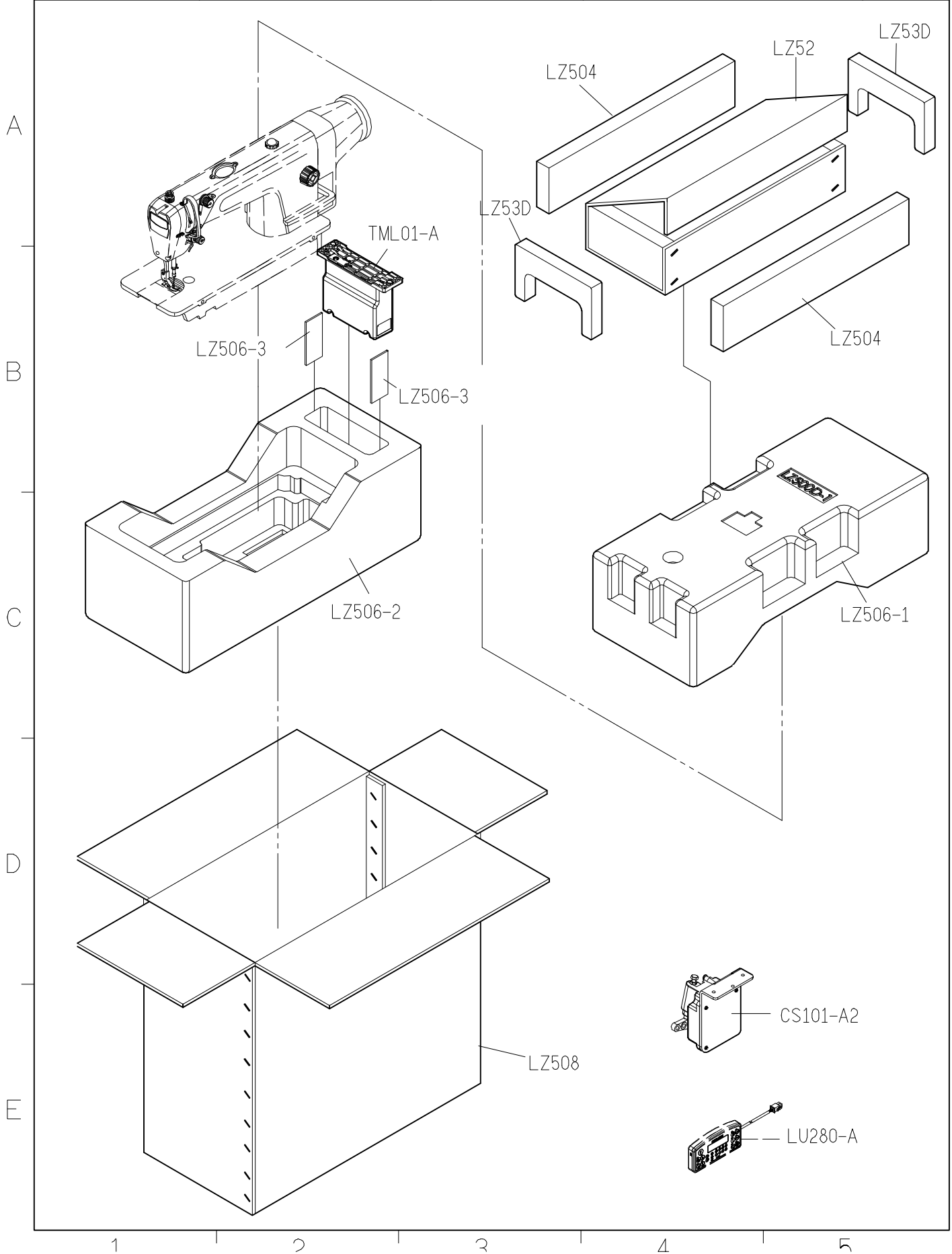
SIRUBA PARTS LIST	Series	Parts Group	Subclass / Remark	Page
	DL7000-BM1/BH1	LW		1/1
				Date
				2013/04/10



<b>SIRUBA</b> PARTS LIST	Series	Parts Group	Subclass / Remark	Page
	DL7000-BM1/BH1	LY		1/1
				Date
				2017/07/25

	LY02	YM04*2	LY05*2	YM102*2	MY09
A					
	LY502K	KY201	LY37-A	YM103*2	針*2
B					
	LY38	MY12	G3XX	KZ03*1	LY33
C					
D					
E					
	1	2	3	4	5

<b>SIRUBA</b> <b>PARTS LIST</b>	Series	Parts Group	Subclass / Remark	Page
	DL7000-BM1/BH1	LZ		1/1
				Date
				2013/01/01



**SIRUBA**  
TABLE  
CUT - OUT

Series  
DL720/DL6800/DL6900  
DL7000/DL7200/DL7300  
DL7400/DL7500/DL3880  
DL380 ▲

Item Code  
**DL7000T-T1**

Subclass / Remark

Mounting  
Fully-submerged  
Date  
2021/04/26

單針高速直驅式平縫車全沉式桌板圖  
單位 / UNIT: mm  
所有尺寸公差 / DIFFERENCE: ±2  
DL7000T-T1 - 1070 長度(L): 1070 / 重量: 10kg ±5%  
DL7000T-T1 長度(L): 1200 / 重量: 11.4kg ±5%  
全封邊/格紋/光面/台板

