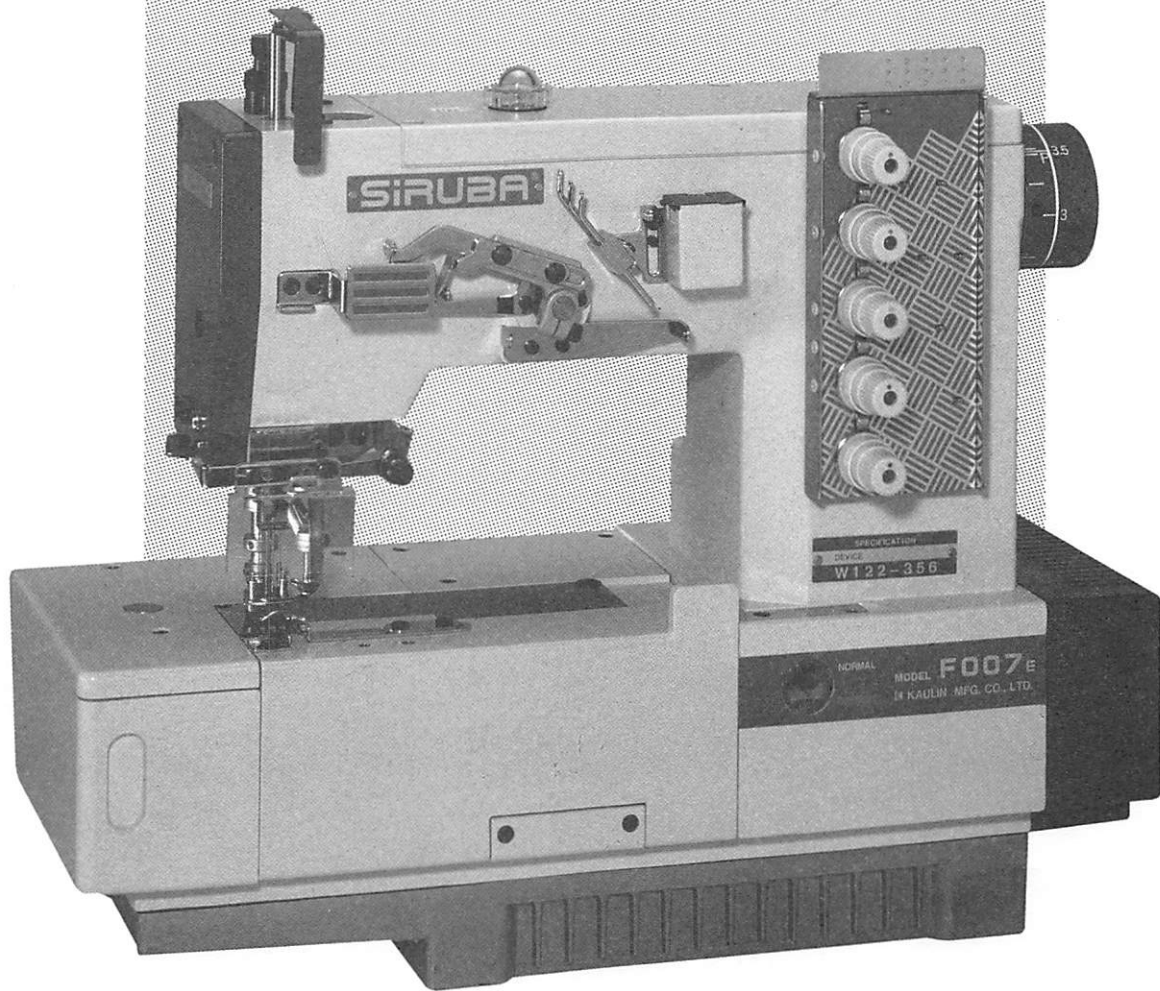


SIRUBA®

F007E

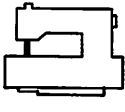


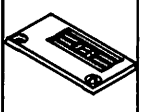


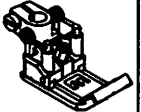




零件圖 PARTS LIST

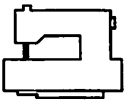


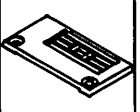


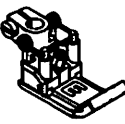




高林股份有限公司
KAULIN MFG. CO., LTD.

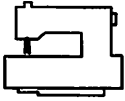


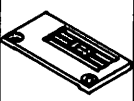


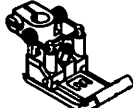


平車規格件表/CONVERSION CHART

								
MODEL	SUB-CLASS	NEEDLE CLAMP	NEEDLE PLATE	MAIN FEED DOG	DIFF. FEED DOG	PRESSER FOOT	SPREADER	NEEDLE
機型	規格	針座	針板	主送具	差送具	押具	上叉	針號
F007E-W122	240 248 356 364	M4240 M4248 M4356 M4364	E 1524 E 1525 E 1826 E 1827	D1206 D1206 D1207 D1207	H1258 H1258 H1259 H1259	P0024 P0025 P0216 P0217	MH41	UY128GAS #11
F007E-W122 /UTG(UTJ)	240 248 356 364	M4240 M4248 M4356 M4364	E 1524 E 1525 E 1826 E 1827	D1206 D1206 D1207 D1207	H1258 H1258 H1259 H1259	P0024 P0025 P0216 P0217	MH41	UY128GAS #11
F007E-U122	240 248 356 364	M4240 M4248 M4356 M4364	E 1524 E 1525 E 1826 E 1827	D1206 D1206 D1207 D1207	H1258 H1258 H1259 H1259	P0314 P0315 P0416 P0417	—	UY128GAS #11
F007E-U122 /UTH(UTK)	240 248 356 364	M4240 M4248 M4356 M4364	E 1524 E 1525 E 1826 E 1827	D1206 D1206 D1207 D1207	H1258 H1258 H1259 H1259	P0314 P0315 P0416 P0417	—	UY128GAS #11
F007E-U122 /FP	232	M4232	E1623	D1206	H1257	P4011	—	UY128GAS #14
F007E-W123	240 248 356 364	M4240 M4248 M4356 M4364	E 1534 E 1535 E 1836 E 1837	D1206 D1206 D1207 D1207	H1258 H1258 H1259 H1259	P0024 P0025 P0216 P0217	MH41	UY128GAS #11
F007E-W123 /UTG(UTJ)	240 248 356 364	M4240 M4248 M4356 M4364	E 1534 E 1535 E 1836 E 1837	D1206 D1206 D1207 D1207	H1258 H1258 H1259 H1259	P0024 P0025 P0216 P0217	MH41	UY128GAS #11
F007E-W162	356 364	M4356 M4364	E 1846 E 1847	D1207 D1207	H1259 H1259	P0226 P0227	MH41	DP*17 #16~#21
F007E-W162 /UTG(UTJ)	356 364	M4356 M4364	E 1846 E 1847	D1207 D1207	H1259 H1259	P0226 P0227	MH41	DP*17 #16~#21
F007E-W222 /FQ	240 248 356 364	M4240 M4248 M4356 M4364	E3024 E3025 E3326 E3327	D1215 D1215 D1216 D1216	H1261 H1261 H1262 H1262	P1814 P1815 P2116 P2117	MH41	UY128GAS #11
F007E-W222 /FQ/FE/FAC	240 248 356 364	M4240 M4248 M4356 M4364	E3024 E3025 E3326 E3327	D1215 D1215 D1216 D1216	H1261 H1261 H1262 H1262	P1814 P1815 P2116 P2117	MH41	UY128GAS #11
F007E-U222 /FQ	240 248 356 364	M4240 M4248 M4356 M4364	E3024 E3025 E3326 E3327	D1215 D1215 D1216 D1216	H1261 H1261 H1262 H1262	P2314 P2315 P2616 P2617	—	UY128GAS #11
F007E-W222A FQ/FEC(FAC)	240 248 356 364	M4240 M4248 M4356 M4364	E3124 E3125 E3426 E3427	D1315 D1315 D1316 D1316	H1261 H1261 H1262 H1262	P1914 P1915 P2216 P2217	MH41	UY128GAS #11
F007E-W222 /FFD(FFP)	240 248 356 364	M4240 M4248 M4356 M4364	E3024 E3025 E3326 E3327	D1215 D1215 D1216 D1216	H1261 H1261 H1262 H1262	P1814 P1815 P2116 P2117	MH41	UY128GAS #11

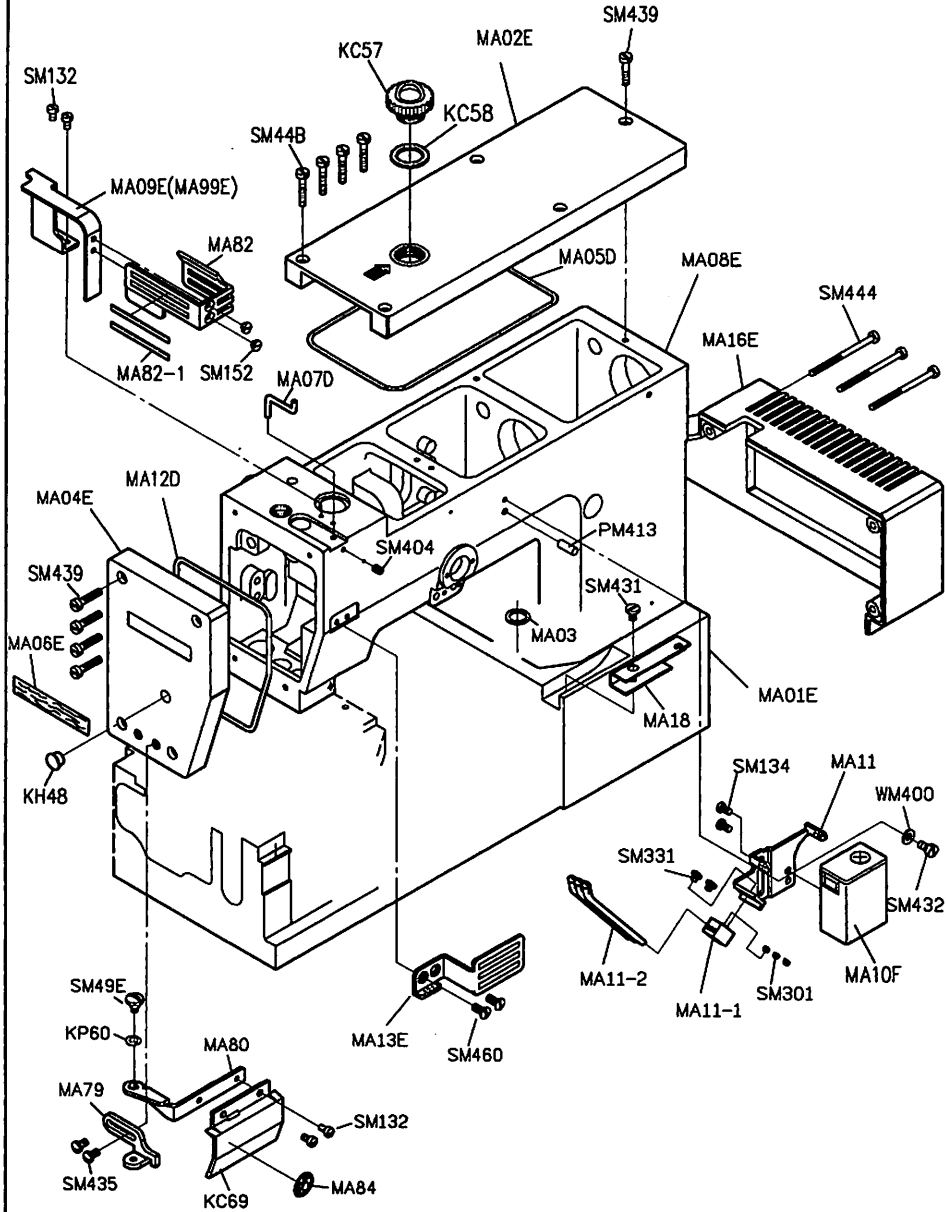
平車規格件表/CONVERSION CHART

								
MODEL	SUB-CLASS	NEEDLE CLAMP	NEEDLE PLATE	MAIN FEED DOG	DIFF. FEED DOG	PRESSER FOOT	SPREADER	NEEDLE
機型	規格	針座	針板	主送具	差送具	押具	上叉	針號
F007E-U222 /FFD(FFP)	240	M4240	E3024	D1215	H1261	P2314	—	UY128GAS #11
	248	M4248	E3025	D1215	H1261	P2315		
	356	M4356	E3326	D1216	H1262	P2616		
	364	M4364	E3327	D1216	H1262	P2617		
F007E-W322 /FDC	356	M4356	E4826	D1207	H1359	P1406	MH41	UY128GAS #11
	364	M4364	E4827	D1207	H1359	P1407		
F007E-W322 /UTG(UTJ)/FDC	356	M4356	E4826	D1207	H1359	P1406	MH41	UY128GAS #11
	364	M4364	E4827	D1207	H1359	P1407		
F007E-U322 /FDC	356	M4356	E4826	D1207	H1359	P1606	—	UY128GAS #11
	364	M4364	E4827	D1207	H1359	P1607		
F007E-U322 /UTH(UTK)/FDC	356	M4356	E4826	D1207	H1359	P1606	—	UY128GAS #11
	364	M4364	E4827	D1207	H1359	P1607		
F007E-W322 /FDE	356	M4356	E4836M	D1207	H1459	P2406	MH41	UY128GAS #11
	364	M4364	E4837M	D1207	H1459	P2407		
F007E-W322 /UTG(UTJ)/FDE	356	M4356	E4836M	D1207	H1459	P2406	MH41	UY128GAS #11
	364	M4364	E4837M	D1207	H1459	P2407		
F007E-U322 /FDE	356	M4356	E4836M	D1207	H1459	P2606	—	UY128GAS #11
	364	M4364	E4837M	D1207	H1459	P2607		
F007E-U322 /UTH(UTK)/FDE	356	M4356	E4836M	D1207	H1459	P2606	—	UY128GAS #11
	364	M4364	E4837M	D1207	H1459	P2607		
F007E-W522 /FE(FFC)/FR	240	M4240	E6024	D2221	H2267	P2814	MH41	UY128GAS #11
	248	M4248	E6025	D2221	H2267	P2815		
	356	M4356	E6326	D2222	H2268	P3116		
	364	M4364	E6327	D2222	H2268	P3117		
F007E-U522 /FE(FFC)/FR	240	M4240	E6024	D2221	H2267	P3314	—	UY128GAS #11
	248	M4248	E6025	D2221	H2267	P3315		
	356	M4356	E6326	D2222	H2268	P3616		
	364	M4364	E6327	D2222	H2268	P3617		
F007E-W512 /FE(FFC)	240	M4240	E1524	D1206	H1258	P2914	MH41	UY128GAS #11
	248	M4248	E1525	D1206	H1258	P2915		
	356	M4356	E1826	D1207	H1259	P3216		
	364	M4364	E1827	D1207	H1259	P3217		
F007E-U512 /FE(FFC)	240	M4240	E1524	D1206	H1258	P3414	—	UY128GAS #11
	248	M4248	E1525	D1206	H1258	P3415		
	356	M4356	E1826	D1207	H1259	P3716		
	364	M4364	E1827	D1207	H1259	P3717		
F007E-U613 /FBQ	256	M4356	E1836L E4001	D5001	H5001	P4000 P4002	—	UY128GAS #14~ #18
	264	M4364	E1837L E4001	D5001	H5001	P4001 P4002		
F007E-U613 /FBP	256	M4356	E1836L	D1207	H1259	P4000	—	UY128GAS #14~ #18
	264	M4364	E1837L	D1207	H1259	P4001		
F007E-U712	264	M5264	E5827	D5207	H5259	P4117	—	TV*3 #11 ~ #16
F007E-U712 /FSP	264	M5264	E5827	D5207	H5259	P5117	—	TV*3 #11 ~ #16
F007E-U712 /FSR	264	M5264	E5927	D5307	H5359	P4217	—	TV*7 #12 ~ #14
F007E-W722 /FY	388	M4388	E6828	D6207	H6259	P6117	FY09	TV*7 #12

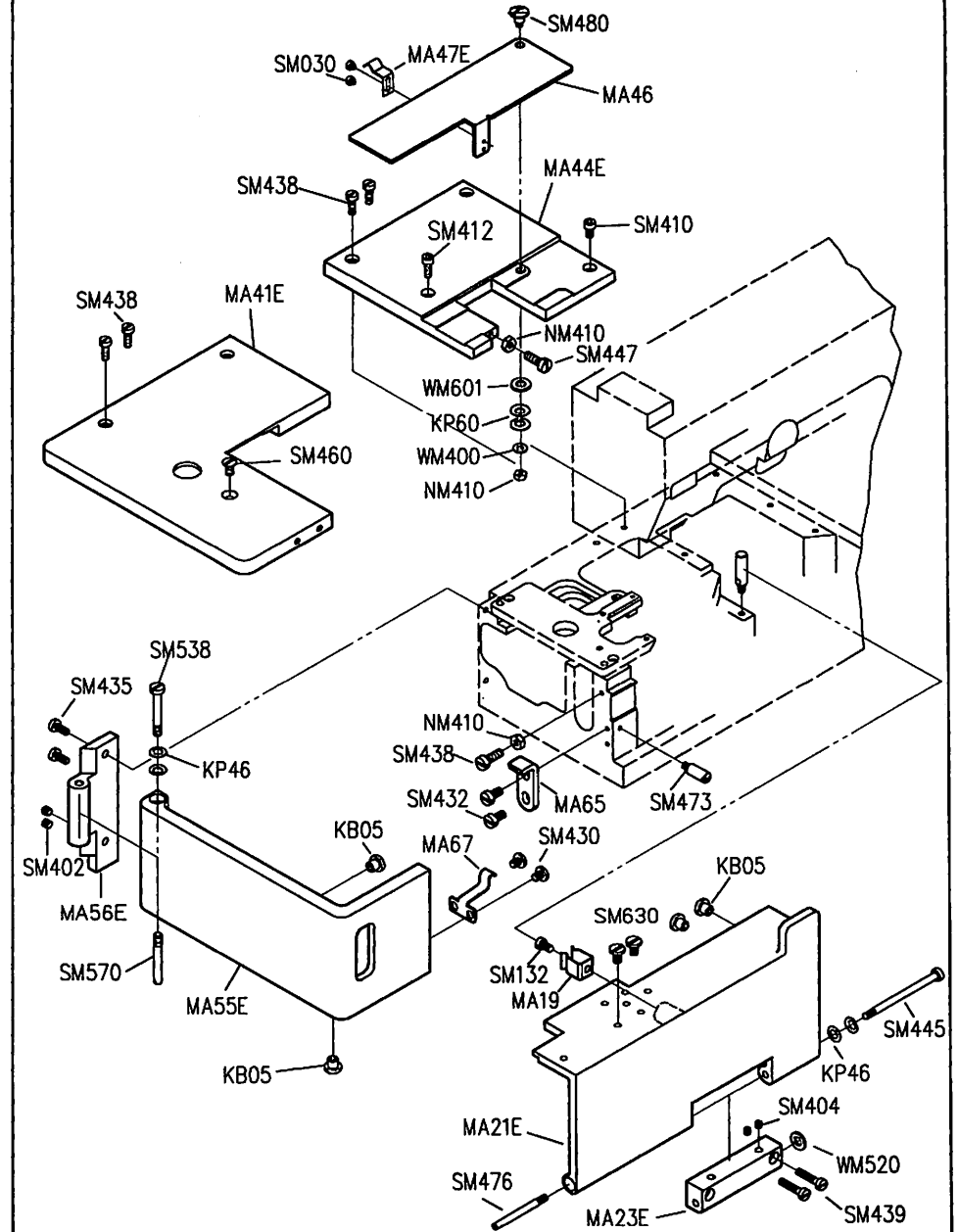
平車規格件表/CONVERSION CHART

								
MODEL	SUB-CLASS	NEEDLE CLAMP	NEEDLE PLATE	MAIN FEED DOG	DIFF. FEED DOG	PRESSER FOOT	SPREADER	NEEDLE
機型	規格	針座	針板	主送具	差送具	押具	上叉	針號
FO07E-W922 /FW(FWP)	460	M4460	E1828	D1207	H1259	P2408	MH41	SM1014B #9~10 (MY1014B #65~ #70,SY7256)

PARTS LIST FOR MA (1) GROUP P1/2

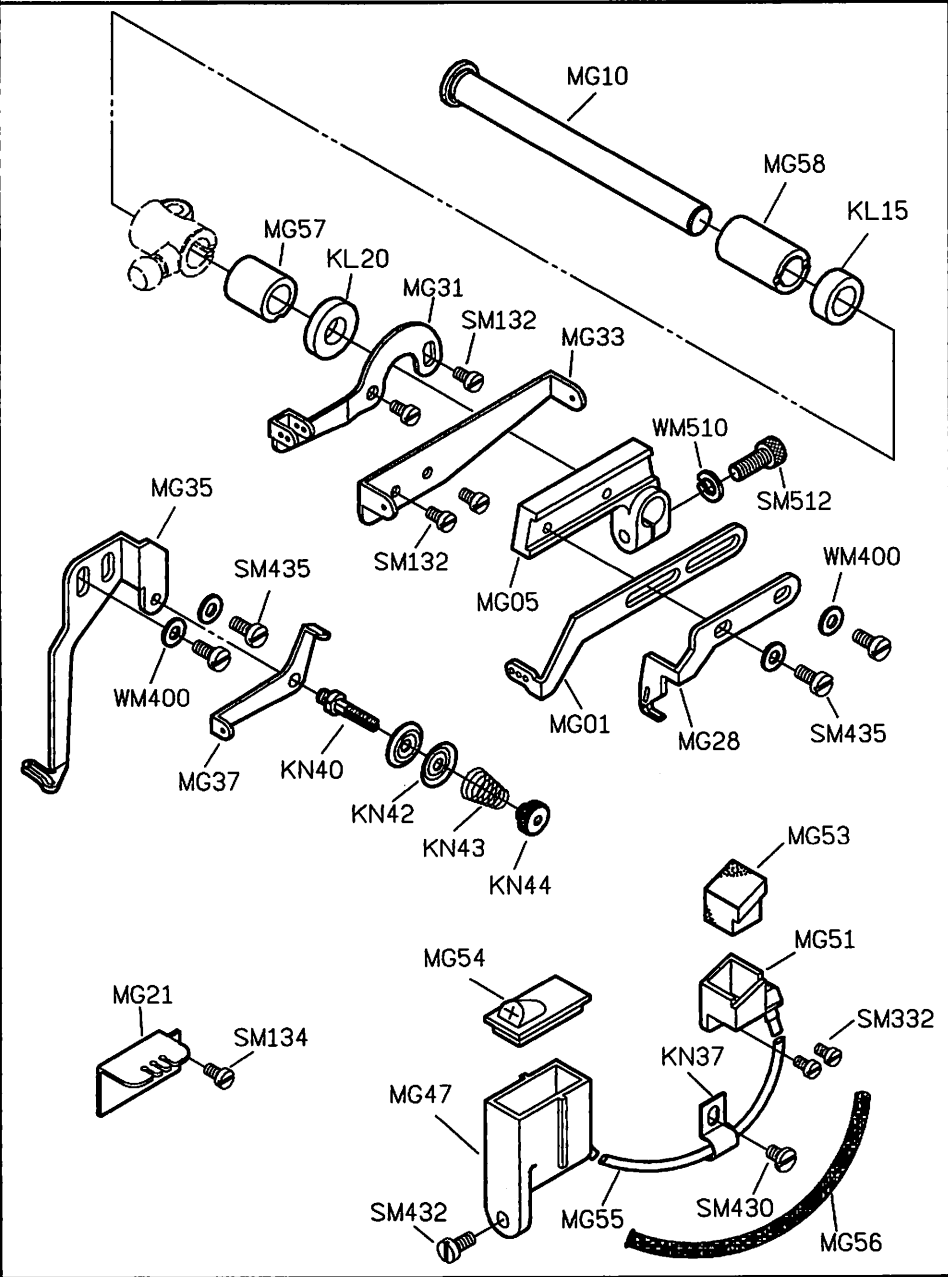


PARTS LIST FOR MA (2) GROUP P2/2



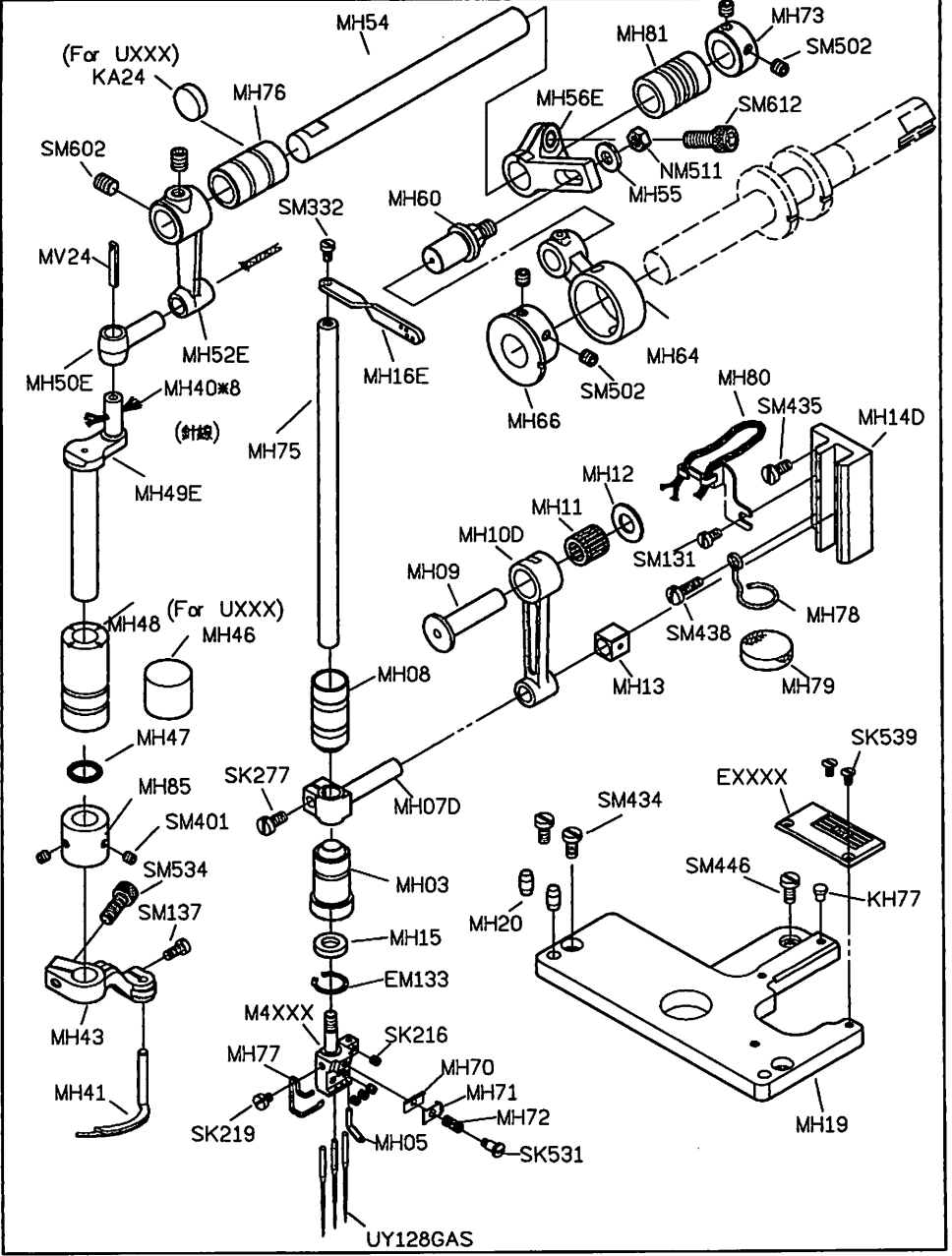
-4-

PARTS LIST FOR MG GROUP

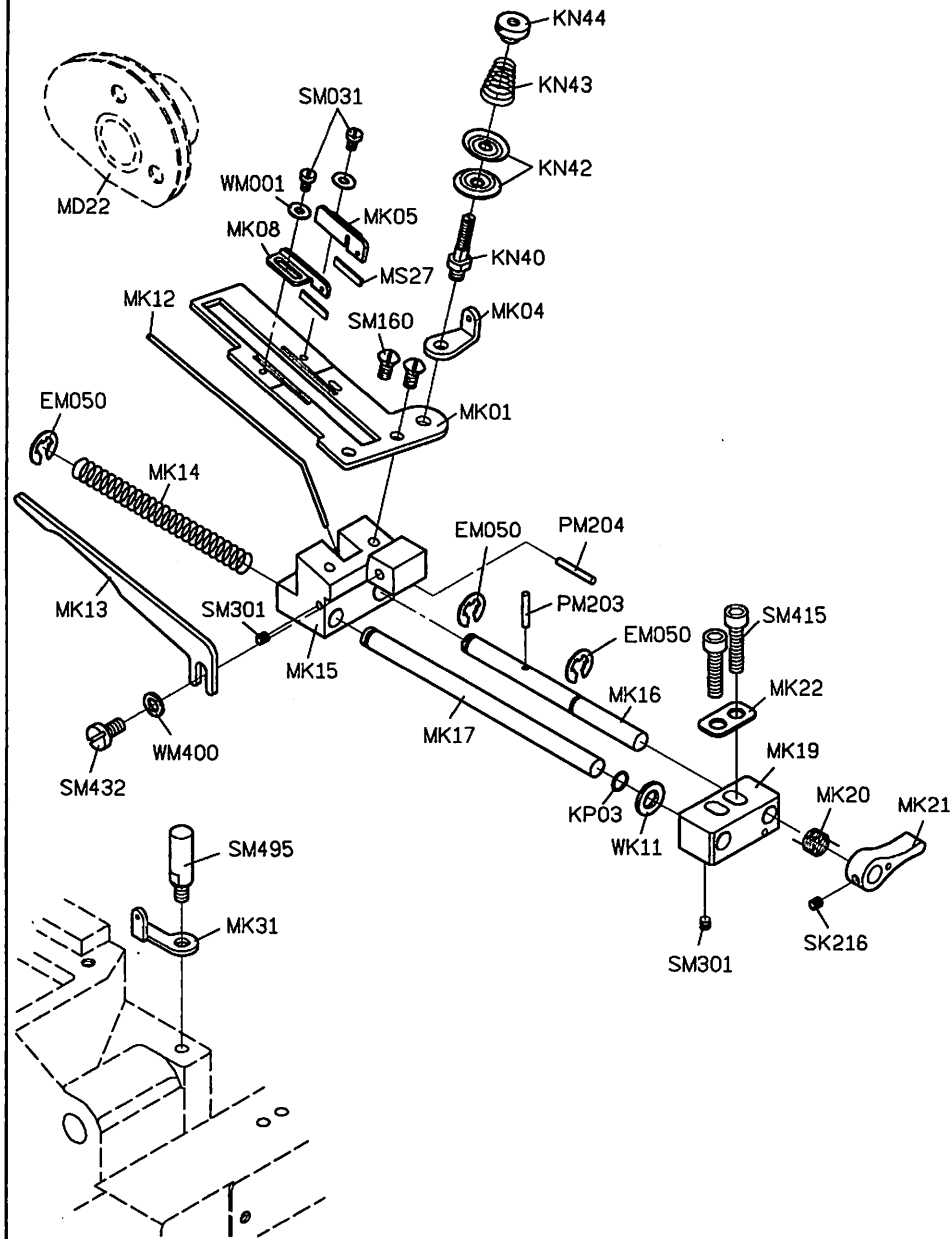


84.10.11

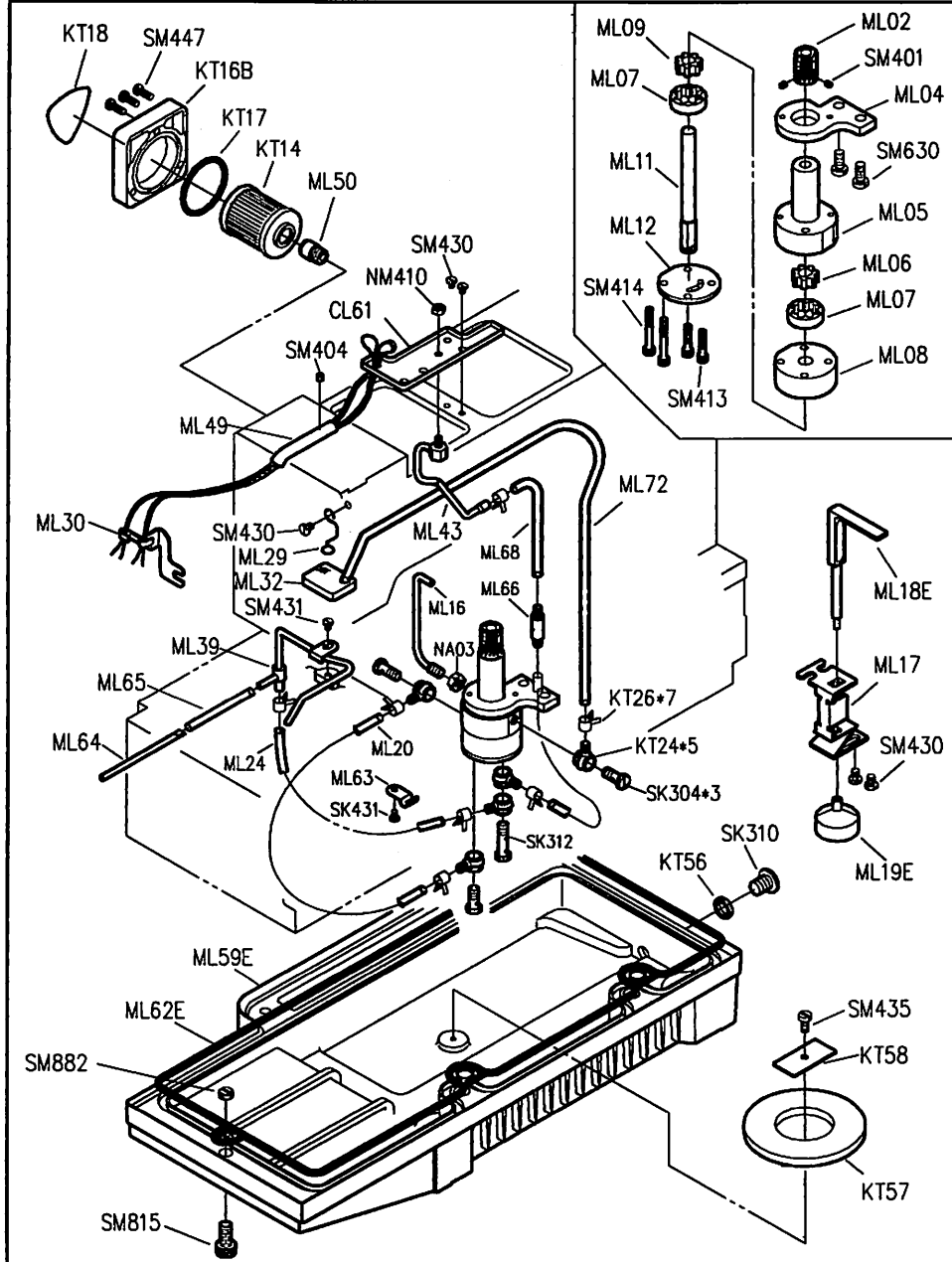
PARTS LIST FOR MH GROUP



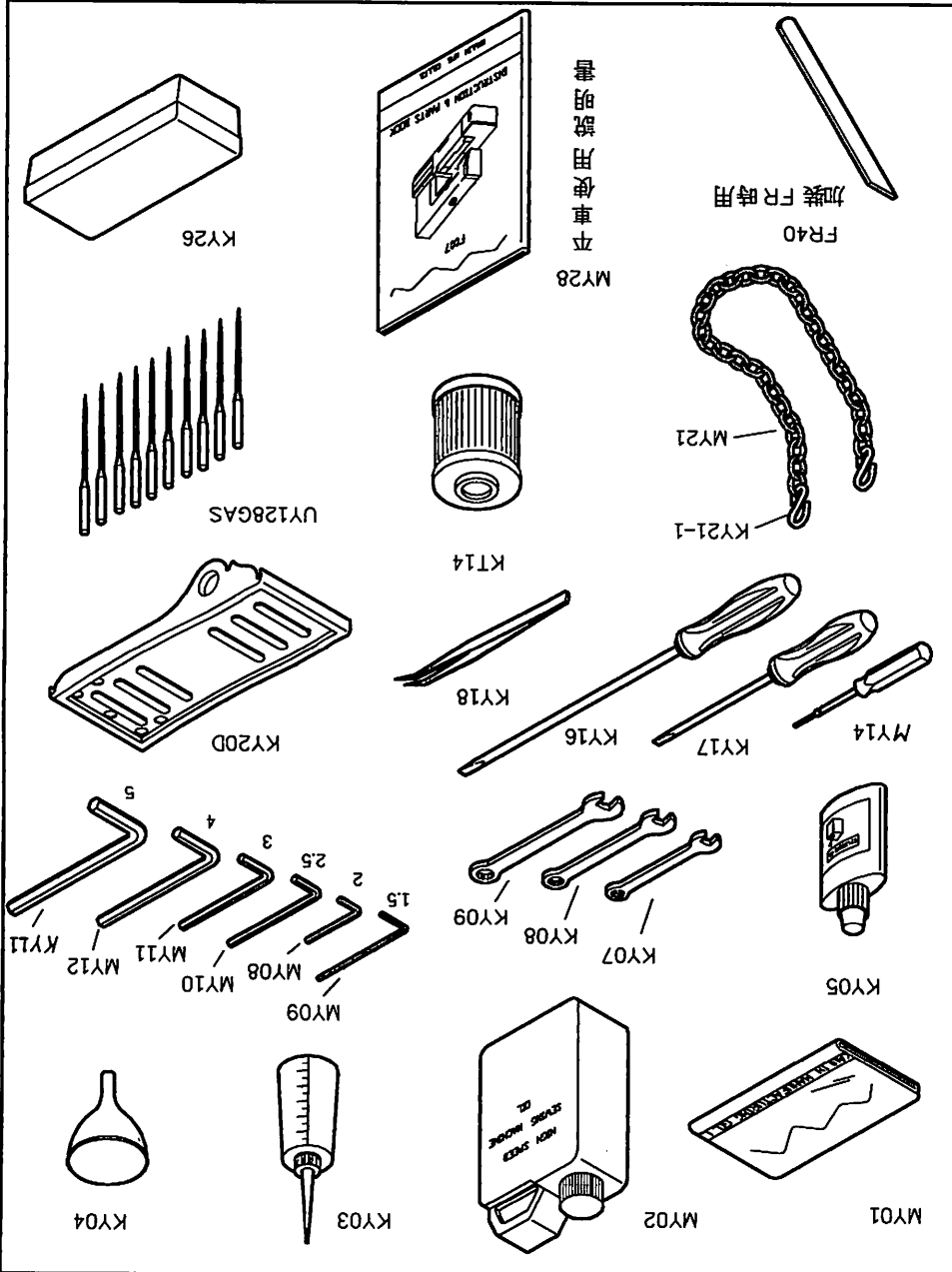
PARTS LIST FOR MK (2) GROUP P2/2



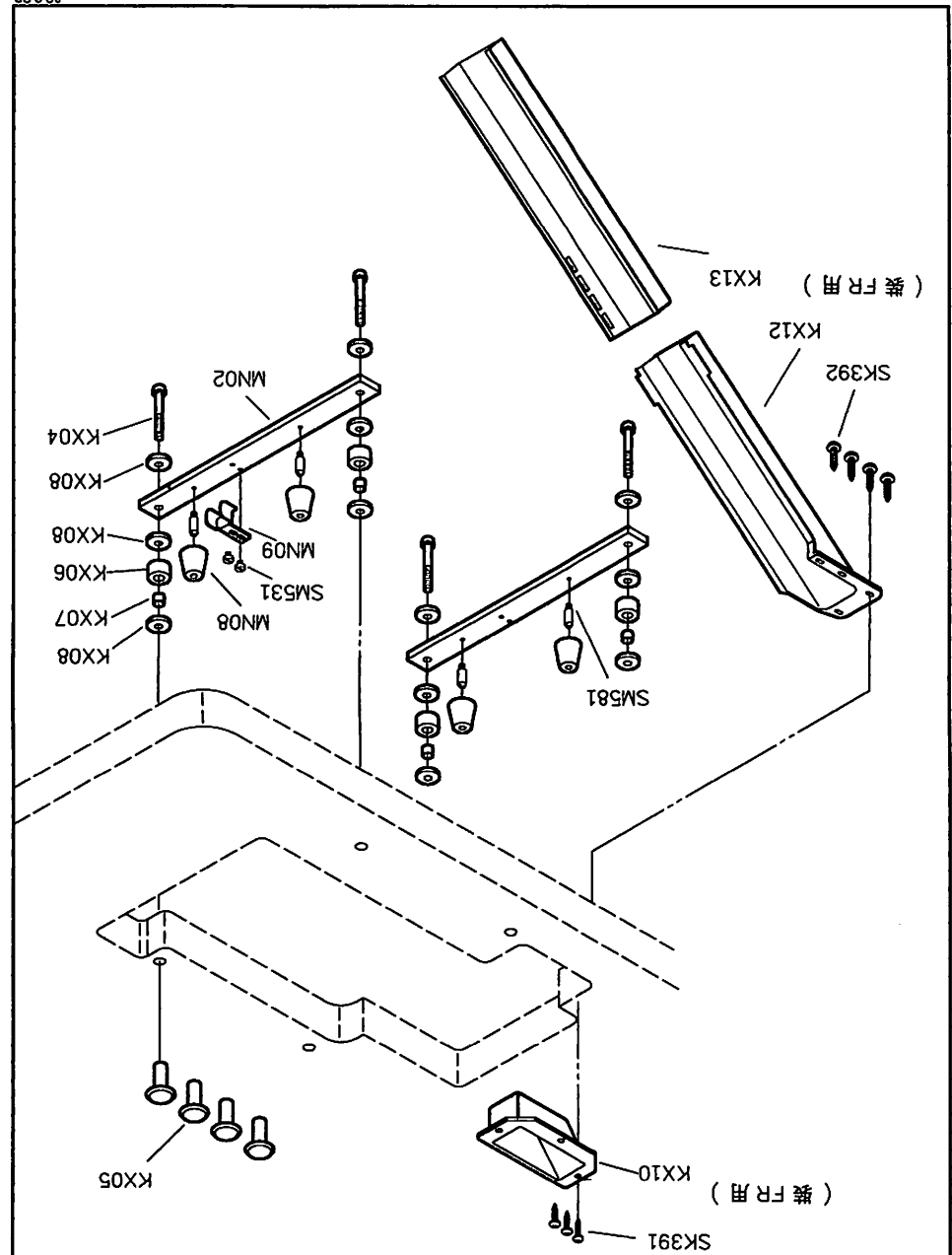
PARTS LIST FOR ML GROUP



-10-



PARTS LIST FOR MY GROUP



PARTS LIST FOR MN GROUP

SIRUBA®