

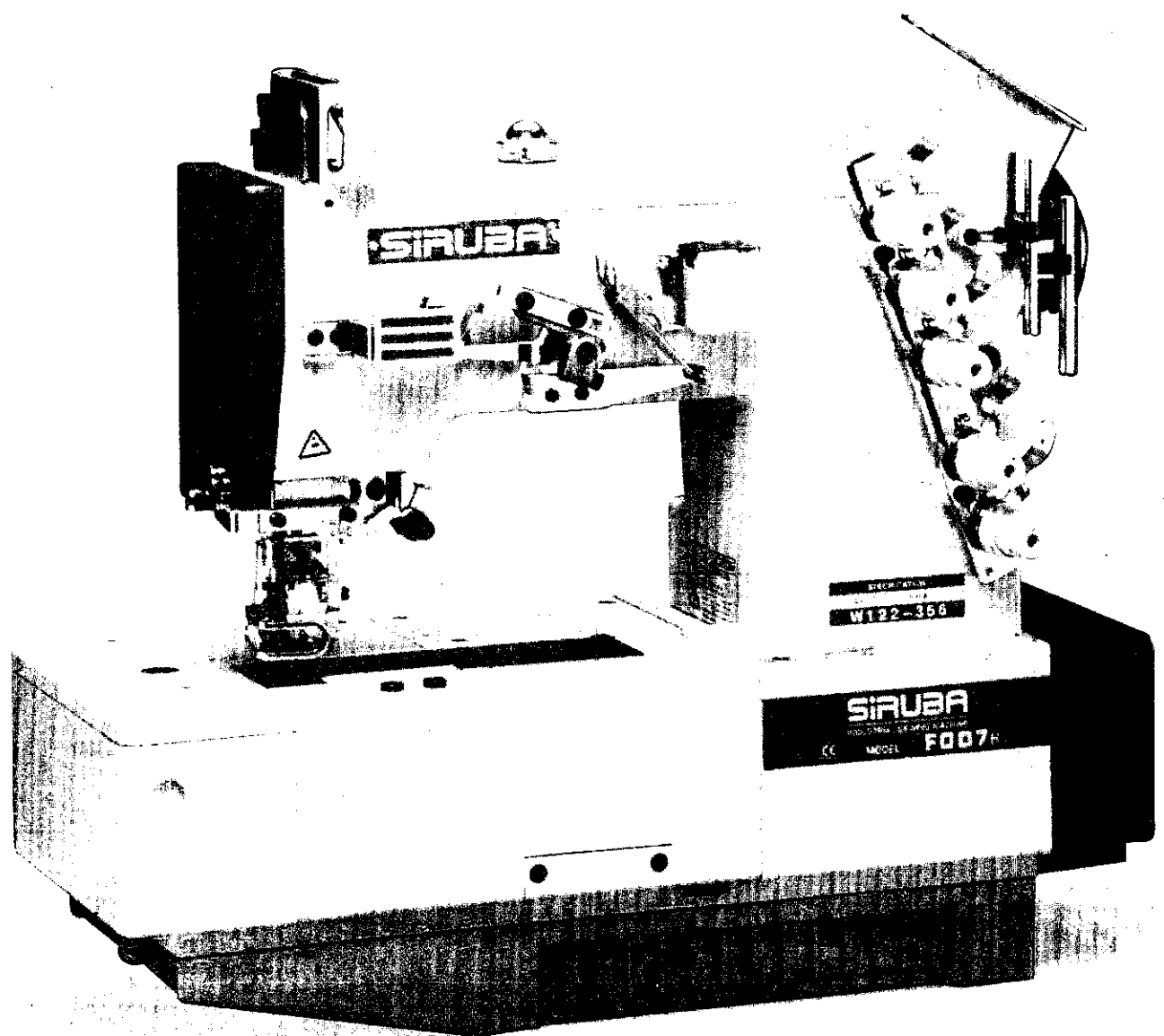
SIRUBA®

銀箭牌工業用縫紉機

INDUSTRIAL SEWING MACHINE

F007H

零件圖 PARTS LIST



CE




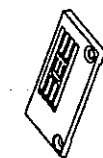
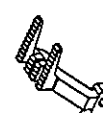

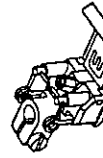


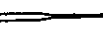
 高林股份有限公司
KAULIN MFG. CO., LTD.

| MODEL 機 型 | SUB - CLASS 規 格 | NEEDLE CLAMP 針 座 | NEEDLE PLATE 針 板 | MAIN FEED DOG 主 送 具 | DIFF. FEED DOG 差 送 具 | PRESSER FOOT 押 具 | LOOPER 勾 針 | SPREADER 上 叉 | NEEDLE 針 號 |
|-----------------------------|--------------------|------------------------|------------------------|---------------------------|----------------------------|------------------------|---------------|-----------------|---------------|
| F007H - W122 | 240 | M5240 | E1524 | D1206 | H1258 | P0024 | ME28 | MH41E | UY128GAS #11 |
| | 248 | M5248 | E1525 | D1206 | H1258 | P0025 | | | |
| | 356 | M5356 | E1826 | D1207 | H1259 | P0216 | | | |
| | 364 | M5364 | E1827 | D1207 | H1259 | P0217 | | | |
| F007H - W122 / UTG (UTJ) | 240 | M5240 | E1524 | D1206 | H1258 | P0024 | ME28 | MH41E | UY128GAS #11 |
| | 248 | M5248 | E1525 | D1206 | H1258 | P0025 | | | |
| | 356 | M5356 | E1826 | D1207 | H1259 | P0216 | | | |
| | 364 | M5364 | E1827 | D1207 | H1259 | P0217 | | | |
| F007H - U122 | 240 | M5240 | E1524 | D1206 | H1258 | P0314 | ME28 | - | UY128GAS #11 |
| | 248 | M5248 | E1525 | D1206 | H1258 | P0315 | | | |
| | 356 | M5356 | E1826 | D1207 | H1259 | P0416 | | | |
| | 364 | M5364 | E1827 | D1207 | H1259 | P0417 | | | |
| F007H - U122 / UTH (UTK) | 240 | M5240 | E1524 | D1206 | H1258 | P0314 | ME28 | - | UY128GAS #11 |
| | 248 | M5248 | E1525 | D1206 | H1258 | P0315 | | | |
| | 356 | M5356 | E1826 | D1207 | H1259 | P0416 | | | |
| | 364 | M5364 | E1827 | D1207 | H1259 | P0417 | | | |
| F007H - U122 / FP | 232 | M5232 | E1623 | D1206 | H1257 | P4011 | ME28P | - | UY128GAS #14 |
| | 240 | M5240 | E1534 | D1206 | H1258 | P0024 | ME28 | MH41E | UY128GAS #11 |
| F007H - W123 | 248 | M5248 | E1535 | D1206 | H1258 | P0025 | | | |
| | 356 | M5356 | E1836 | D1207 | H1259 | P0216 | | | |
| 364 | M5364 | E1837 | D1207 | H1259 | P0217 | | | | |

規格件表 • CONVERSION CHART

規格件表 • CONVERSION CHART

| MODEL 機 型 | SUB - CLASS 規 格 | NEEDLE CLAMP 針 座 | NEEDLE PLATE 針 板 | MAIN FEED DOG 主 送 具 | DIFF. FEED DOG 差 送 具 | PRESSER FOOT 押 具 | LOOPER 勾 針 | SPREADER 上 叉 | NEEDLE 針 號 |
|----------------------------------|--------------------|------------------------|------------------------|---------------------------|----------------------------|------------------------|---------------|-----------------|------------------|
| F007H - W123 / UTG (UTJ) | 240 | M5240 | E1534 | D1206 | H1258 | P0024 | ME28 | MH41E | UY128GAS #11 |
| | 248 | M5248 | E1535 | D1206 | H1258 | P0025 | | | |
| | 356 | M5356 | E1836 | D1207 | H1259 | P0216 | | | |
| | 364 | M5364 | E1837 | D1207 | H1259 | P0217 | | | |
| F007H - W162 | 356 | M5356 | E1846 | D1207 | H1259 | P0226 | ME28A | MH41E | UY128GAS #14 -16 |
| | 364 | M5364 | E1847 | D1207 | H1259 | P0227 | | | |
| F007H - U162 | 356 | M5356 | E1846 | D1207 | H1259 | P0226 | ME28A | - | UY128GAS #14 -16 |
| | 364 | M5364 | E1847 | D1207 | H1259 | P0227 | | | |
| F007H - W162 / UTG (UTJ) | 356 | M5356 | E1846 | D1207 | H1259 | P0226 | ME28A | MH41E | UY128GAS #14 -16 |
| | 364 | M5364 | E1847 | D1207 | H1259 | P0227 | | | |
| F007H - U162 / UTH (UTK) | 356 | M5356 | E1846 | D1207 | H1259 | P0226 | ME28A | - | UY128GAS #14 -16 |
| | 364 | M5364 | E1847 | D1207 | H1259 | P0227 | | | |
| F007H - W222 / FQ | 240 | M5240 | E3024 | D1215 | H1261 | P1814 | | | |
| | 248 | M5248 | E3025 | D1215 | H1261 | P1815 | | | |
| | 356 | M5356 | E3326 | D1216 | H1262 | P2116 | | | |
| | 364 | M5364 | E3327 | D1216 | H1262 | P2117 | | | |
| F007H - W222 / FQ / FEC (FAC) | 240 | M5240 | E3024 | D1215 | H1261 | P1814 | | | |
| | 248 | M5248 | E3025 | D1215 | H1261 | P1815 | | | |
| | 356 | M5356 | E3326 | D1216 | H1262 | P2116 | | | |
| | 364 | M5364 | E3327 | D1216 | H1262 | P2117 | | | |
| F007H - U222 / FQ | 240 | M5240 | E3024 | D1215 | H1261 | P2314 | ME28 | MH41E | UY128GAS #11 |
| | 248 | M5248 | E3025 | D1215 | H1261 | P2315 | | | |

|  |  |  |  |  |  |  |  |  |  |
|---|---|---|---|---|--|---|---|---|---|
| MODEL | SUB - CLASS | NEEDLE CLAMP | NEEDLE PLATE | MAIN FEED DOG | DIFF. FEED DOG | PRESSER FOOT | SPREADER | LOOPER | NEEDLE |
| 機 型 | 規 格 | 針 座 | 針 板 | 主 送 具 | 差 送 具 | 押 具 | 上 叉 | 勾 針 | 針 號 |
| C007H - W162 | 240 | M5240 | E3544 | D4206 | H4258 | P0234 | | | UY128GAS #14 - 16 |
| | 248 | M5248 | E3545 | D4206 | H4258 | P0235 | | MT01A | |
| | 356 | M5356 | E3846 | D4206 | H4258 | P0226 | MH41E | | |
| | 364 | M5364 | E3847 | D4207 | H4259 | P0227 | | | |
| C007H - U162 | 240 | M5240 | E3544 | D4206 | H4258 | P0234 | | | UY128GAS #11 |
| | 248 | M5248 | E3545 | D4206 | H4258 | P0235 | | MT01 | |
| | 356 | M5356 | E3846 | D4206 | H4258 | P0226 | | | |
| | 364 | M5364 | E3847 | D4207 | H4259 | P0227 | | | |
| C007H - W162 / UTP (UTR) | 240 | M5240 | E3544 | D4206 | H4258 | P0234 | | | UY128GAS #14 - 16 |
| | 248 | M5248 | E3545 | D4206 | H4258 | P0235 | | MT01A | |
| | 356 | M5356 | E3846 | D4206 | H4258 | P0226 | MH41E | | |
| | 364 | M5364 | E3847 | D4207 | H4259 | P0227 | | | |
| C007H - U162 / UTQ (UTS) | 240 | M5240 | E3544 | D4206 | H4258 | P0234 | | | UY128GAS #14 - 16 |
| | 248 | M5248 | E3545 | D4206 | H4258 | P0235 | | MT01A | |
| | 356 | M5356 | E3846 | D4206 | H4258 | P0226 | | | |
| | 364 | M5356 | E3847 | D4207 | H4259 | P0227 | | | |
| C007H - W222 / CQ | 240 | M5240 | E4124P | D3216 | H3362 | P1814 | | | UY128GAS #11 |
| | 248 | M5248 | E4125P | D3216 | H3362 | P1815 | | MT01 | |
| | 356 | M5356 | E4426P | D3216 | H3362 | P2116 | MH41E | | |
| | 364 | M5364 | E4427P | D3217 | H3363 | P2117 | | | |
| C007H - U222 / CQ | 240 | M5240 | E4124P | E3216 | H3362 | P2314 | | | UY128GAS #11 |
| | 248 | M5248 | E4125P | D3216 | H3362 | P2315 | | MT01 | |
| | 356 | M5356 | E4426P | D3216 | H3362 | P2616 | | | |

規格件表 • CONVERSION CHART

| MODEL 機 型 | SUB - CLASS 規 格 | NEEDLE CLAMP 針 座 | NEEDLE PLATE 針 板 | MAIN FEED DOG 主 送 具 | DIFF. FEED DOG 差 送 具 | PRESSER FOOT 押 具 | LOOPER 勾 針 | SPREADER 上 叉 | NEEDLE 針 號 |
|---------------------------------|--------------------|------------------------|------------------------|---------------------------|----------------------------|------------------------|---------------|-----------------|---------------|
| F007H - U322 / FDC | 356 | M5356 | E4826 | D1207 | H1359 | P1606 | ME28 | - | UY128GAS #11 |
| | 364 | M5364 | E4827 | D1207 | H1359 | P1607 | ME28 | - | UY128GAS #11 |
| F007H - U322 / UTH (UTK)/FDC | 356 | M5356 | E4826 | D1207 | H1359 | P1606 | ME28 | - | UY128GAS #11 |
| | 364 | M5364 | E4827 | D1207 | H1359 | P1607 | ME28 | - | UY128GAS #11 |
| F007H - W322 / FDE | 356 | M5356 | E4836M | D1207 | H1459 | P2406 | ME28 | MH41E | UY128GAS #11 |
| | 364 | M5364 | E4837M | D1207 | H1459 | P2407 | ME28 | MH41E | UY128GAS #11 |
| F007H - W322 / UTG (UTJ)/FDE | 356 | M5356 | E4836M | D1207 | H1459 | P2406 | ME28 | MH41E | UY128GAS #11 |
| | 364 | M5364 | E4837M | D1207 | H1459 | P2407 | ME28 | MH41E | UY128GAS #11 |
| F007H - U322 / FDE | 356 | M5356 | E4836M | D1207 | H1459 | P2606 | ME28 | - | UY128GAS #11 |
| | 364 | M5364 | E4837M | D1207 | H1459 | P2607 | ME28 | - | UY128GAS #11 |
| F007H - U322 / UTH (UTK)/FDE | 356 | M5356 | E4836M | D1207 | H1459 | P2606 | ME28 | - | UY128GAS #11 |
| | 364 | M5364 | E4837M | D1207 | H1459 | P2607 | ME28 | - | UY128GAS #11 |
| F007H - W522 / FE (FFC) /FR | 240 | M5240 | E6024 | D2221 | H2267 | P2814 | ME28 | MH41E | UY128GAS #11 |
| | 248 | M5248 | E6025 | D2221 | H2267 | P2815 | ME28 | MH41E | UY128GAS #11 |
| F007H - U522 / FE(FFC)/FR | 356 | M5356 | E6326 | D2222 | H2268 | P3116 | ME28 | MH41E | UY128GAS #11 |
| | 364 | M5364 | E6327 | D2222 | H2268 | P3117 | ME28 | MH41E | UY128GAS #11 |
| F007H - W512 / FE (FFC) | 240 | M5240 | E6024 | D2221 | H2267 | P3314 | ME28 | - | UY128GAS #11 |
| | 248 | M5248 | E6025 | D2221 | H2267 | P3315 | ME28 | - | UY128GAS #11 |
| F007H - W512 / FE (FFC) | 356 | M5356 | E6326 | D2222 | H2268 | P3616 | ME28 | MH41E | UY128GAS #11 |
| | 364 | M5364 | E6327 | D2222 | H2268 | P3617 | ME28 | MH41E | UY128GAS #11 |

| MODEL | SUB - CLASS | NEEDLE CLAMP | NEEDLE PLATE | MAIN FEED DOG | DIFF. FEED DOG | PRESSER FOOT | LOOPER | SPREADER | NEEDLE |
|-----------------------------|-------------|--------------|--------------|---------------|----------------|--------------|--------------|----------|---|
| 機 型 | 規 格 | 針 座 | 針 板 | 主 送 具 | 差 送 具 | 押 具 | 勾 針 | 上 叉 | 針 號 |
| F007H - U512 / FE (FFC) | 240 | M5240 | E1524 | D1206 | H1258 | P3414 | ME28 | - | UY128 GAS #11 |
| | 248 | M5248 | E1525 | D1206 | H1258 | P3415 | | | |
| | 356 | M5356 | E1826 | D1207 | H1259 | P3716 | | | |
| | 364 | M5364 | E1827 | D1207 | H1259 | P3717 | | | |
| C007H - U613 / FBP | 256 | M5356 | E1836 L | D1207 | H1259 | P4000 | ME28 | - | UY128GAS#14-18 |
| | 264 | M5364 | E1837 L | D1207 | H1259 | P4001 | | | |
| C007H - U712 | 264 | M5264 | E5827 | D5207 | H5259 | P4117 | ME28 | - | TV*3 #11-16 |
| C007H - U712/ FSP | 264 | M5264 | E5827 | D5207 | H5259 | P5117 | FS03/04 | - | TV*3 #11-16 |
| C007H - U712/ FSR | 264 | M5264 | E5927 | D5307 | H5359 | P4217 | FS03/04 | - | TV*7 #12 - 14 |
| C007H - W722 / FY | 388 | M4388 | E6828 | D6207 | H6259 | P6117 | FS03/04/FY02 | FY09 | TV*7 #12 |
| F007H - W922 / FW (FWP) | 460 | M5460 | E1828 | D1207 | H1259 | P2408 | ME28 | MH41E | SM1014B #10 (MY1014B #70, SY7256) |

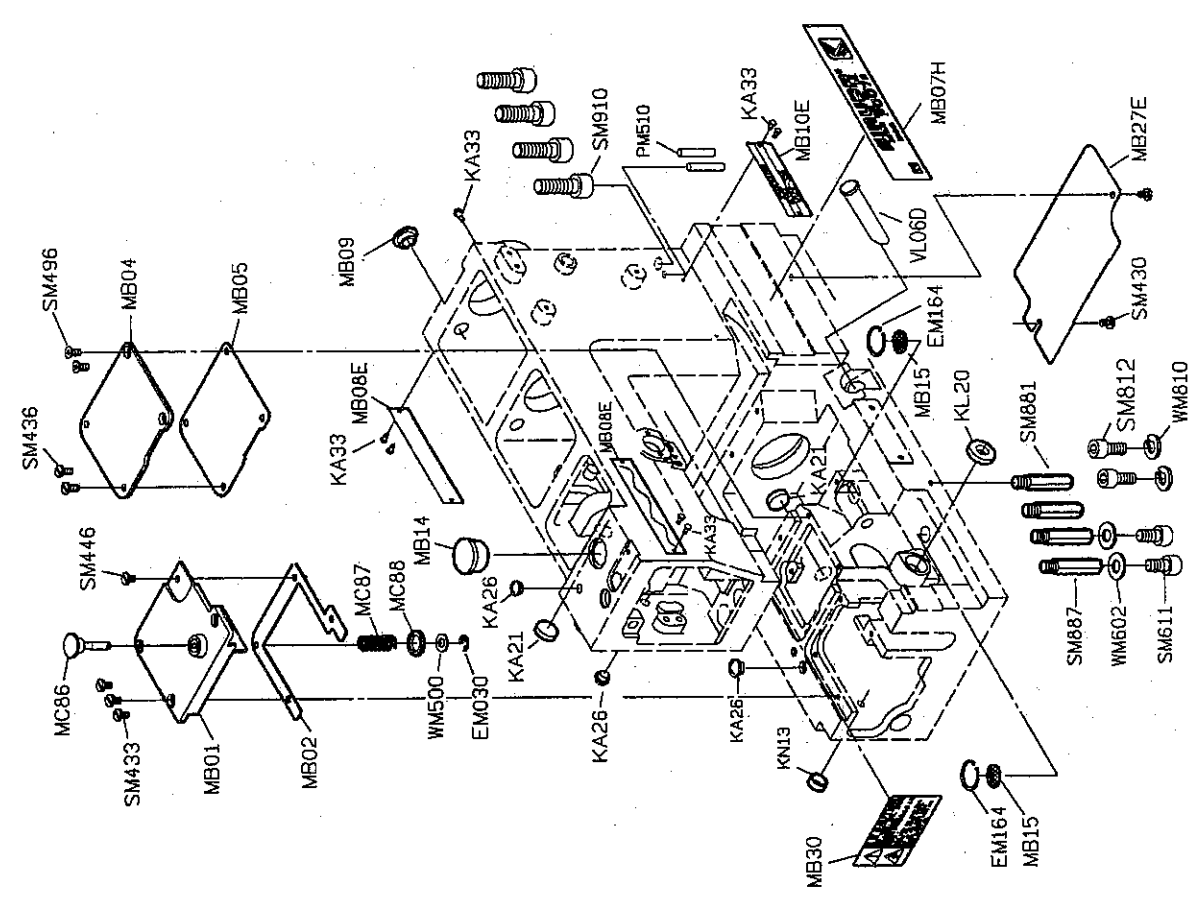
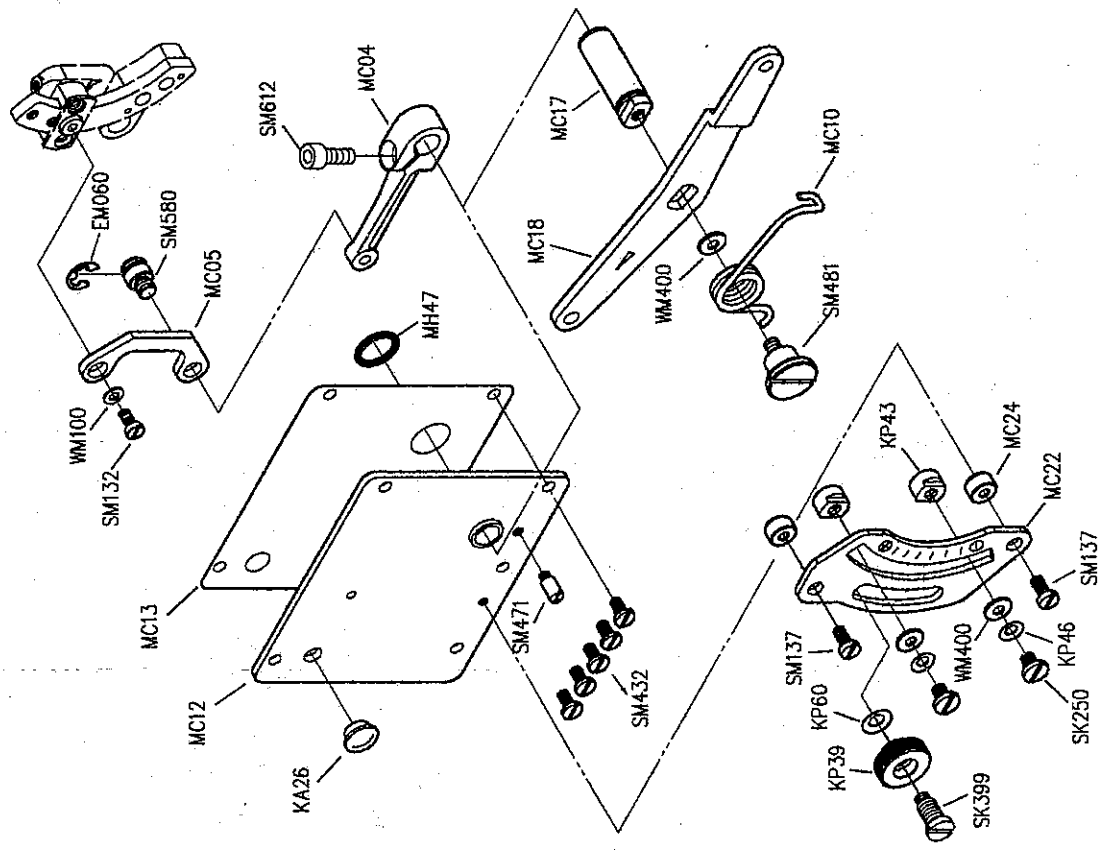
備註 / REMARK: 1. F007H - W/U 122A - 356 / P2406 2. W222 A / FAC (FEC) 短切刀 SHORT KNIFE
364 / P2407 W222 / FAC (FEC) 長切刀 LONG KNIFE

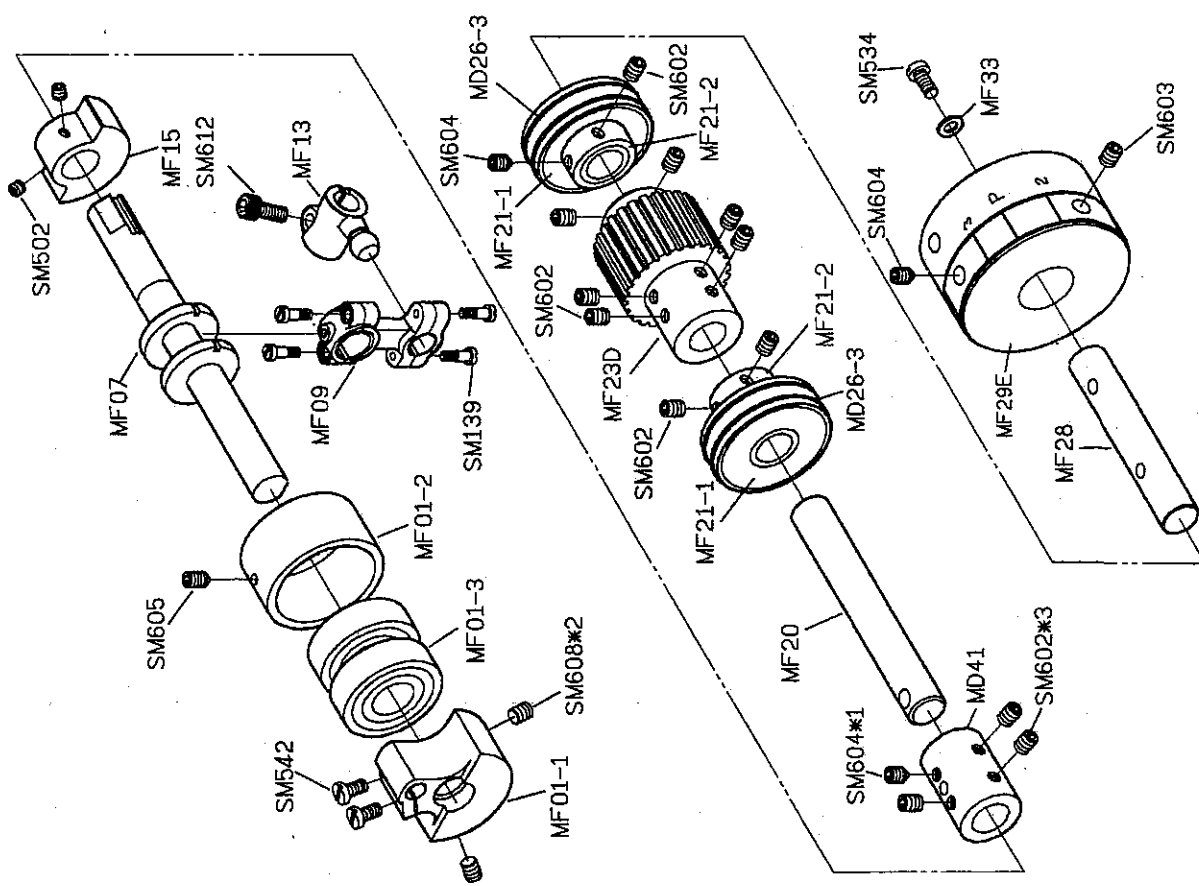
3. F007H - W/U 322A - 356 / FDC E1826 / D1207 / H1259
364 / FDC E1827 / D1207 / H1259

規格件表 • CONVERSION CHART

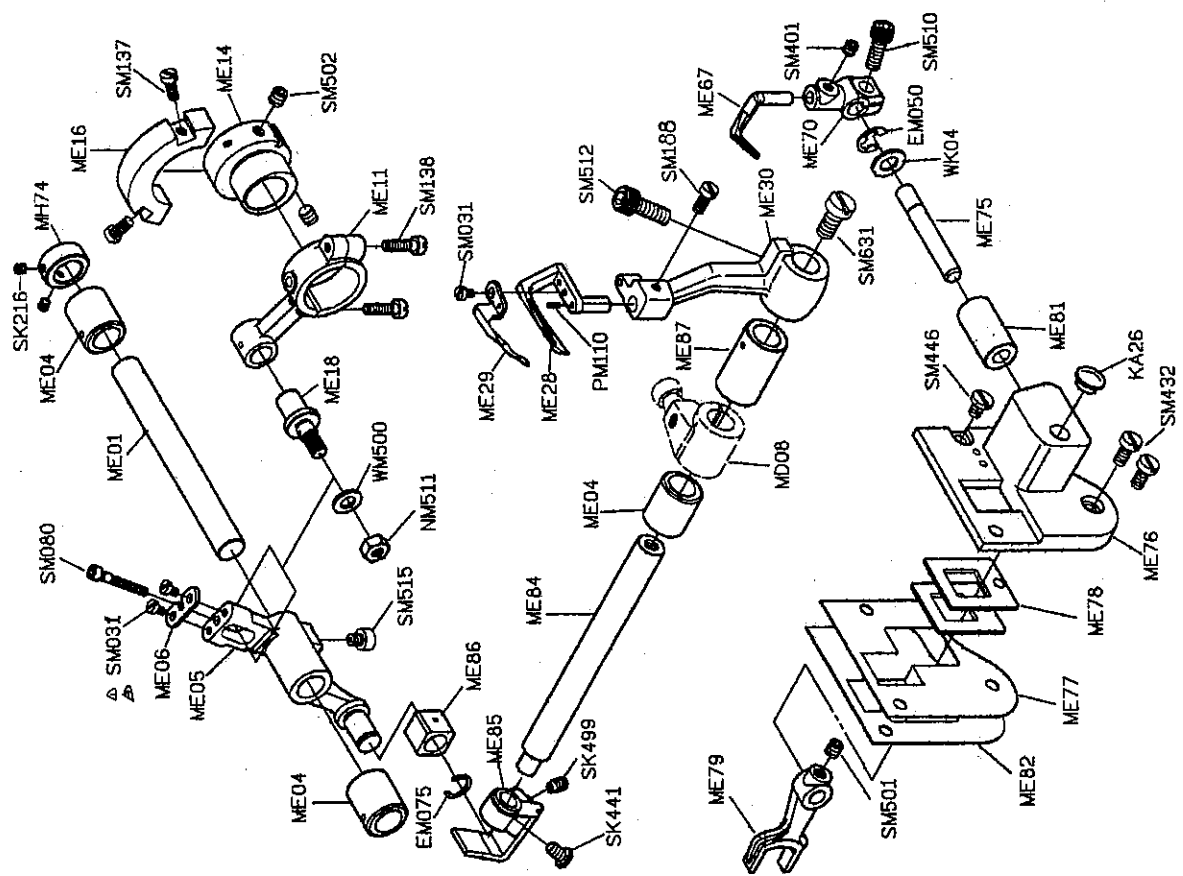
PARTS LIST FOR MC(1) GROUP

PARTS LIST FOR MB GROUP

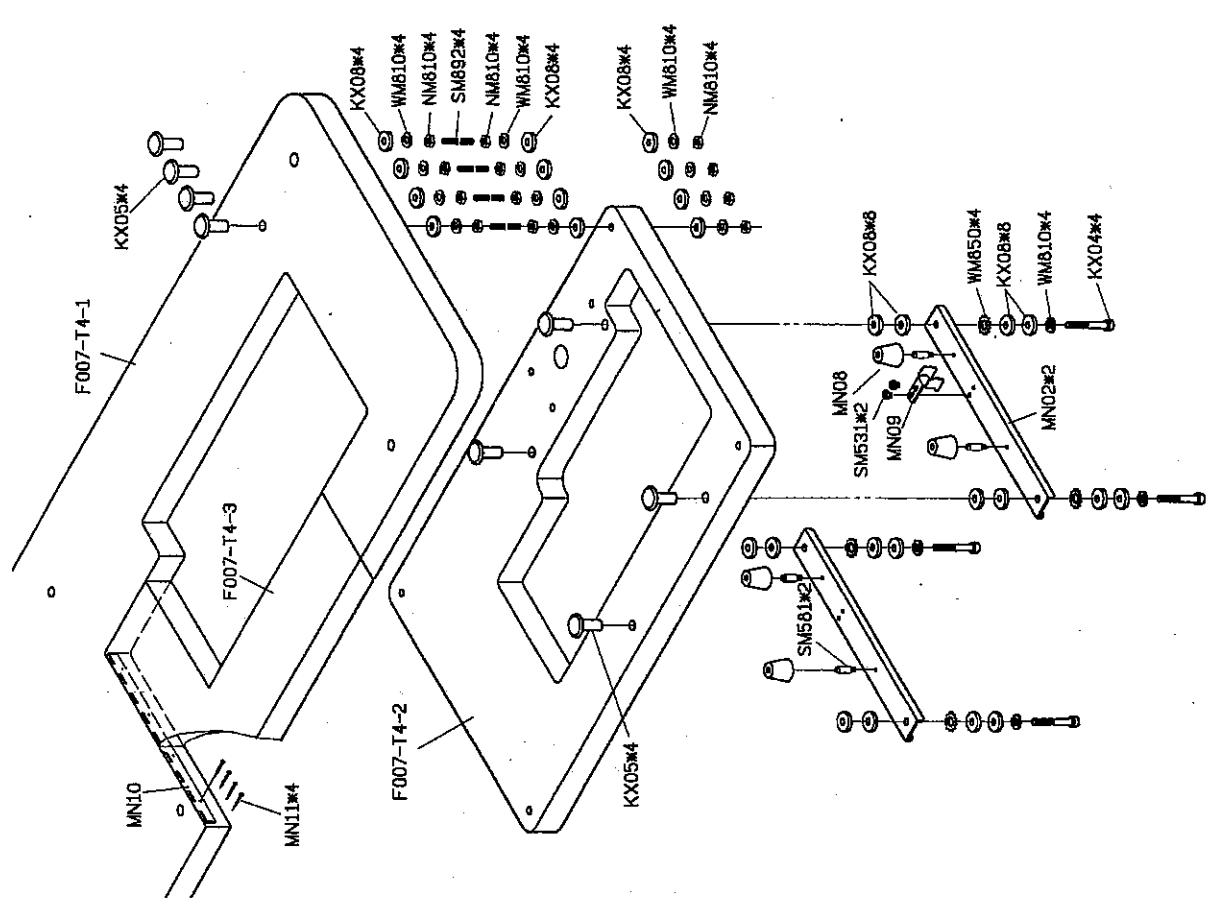




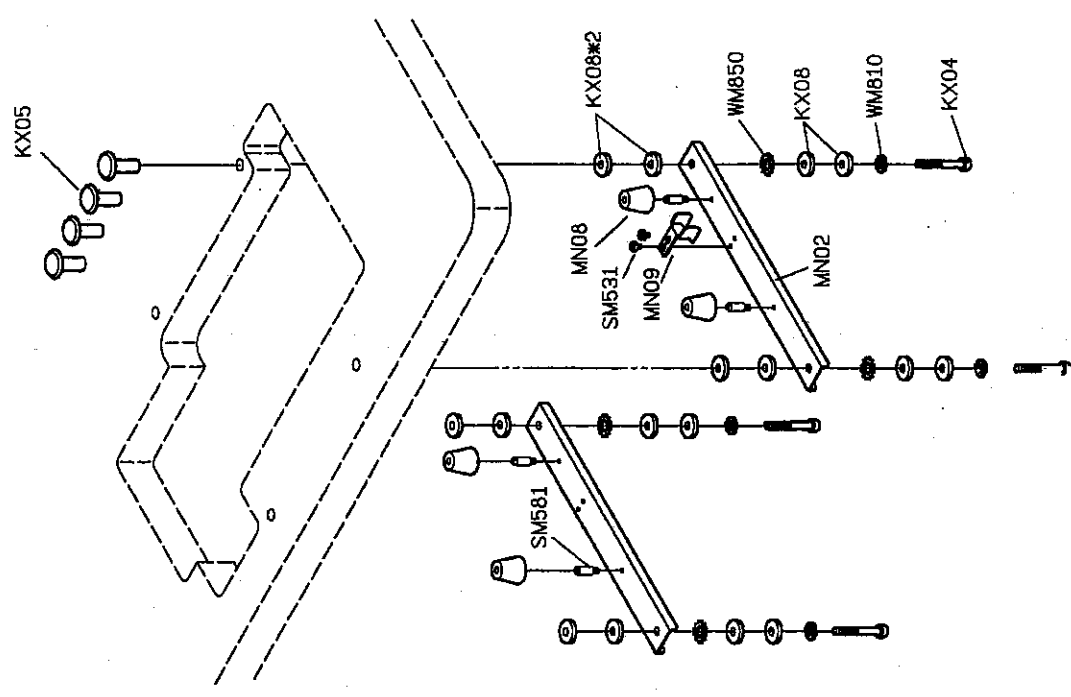
PARTS LIST FOR MF GROUP



PARTS LIST FOR ME GROUP

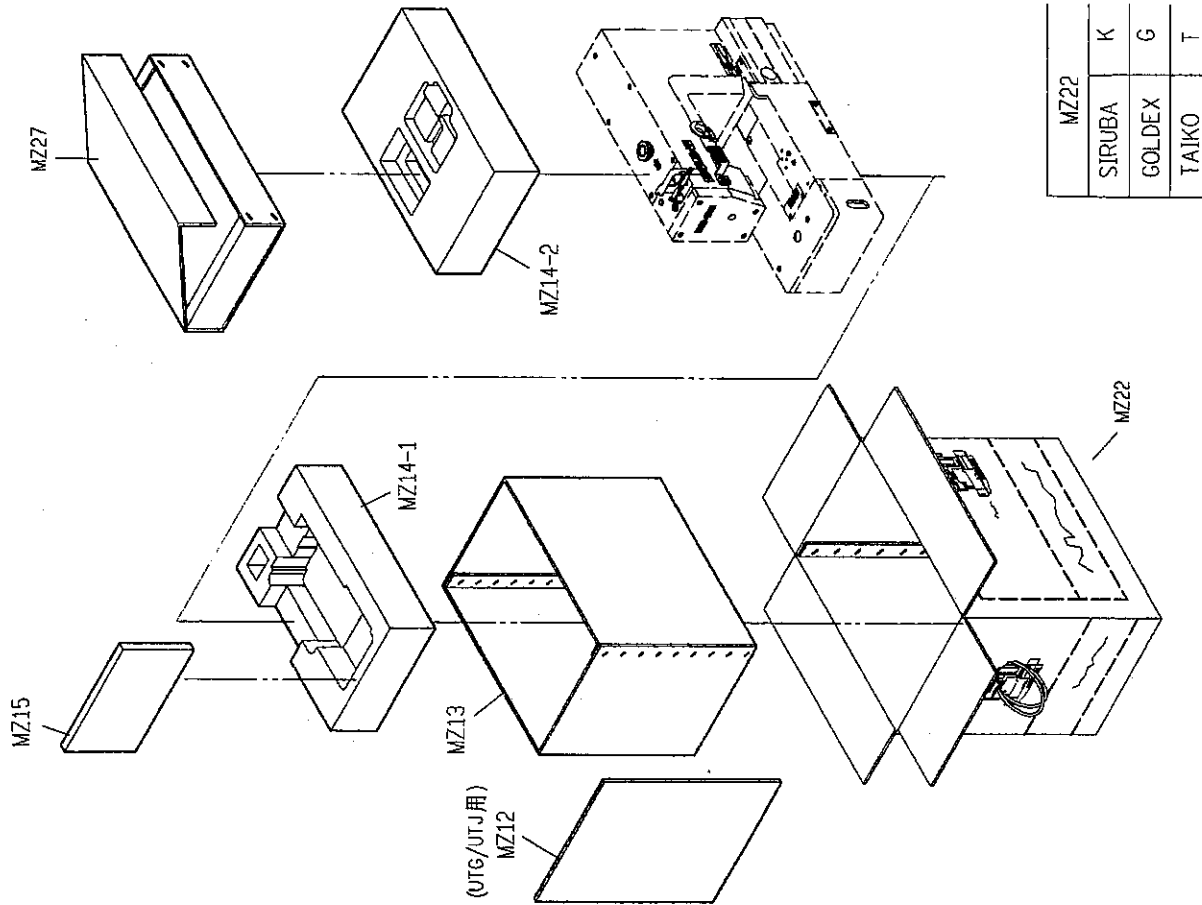


PARTS LIST FOR MN(2) GROUP

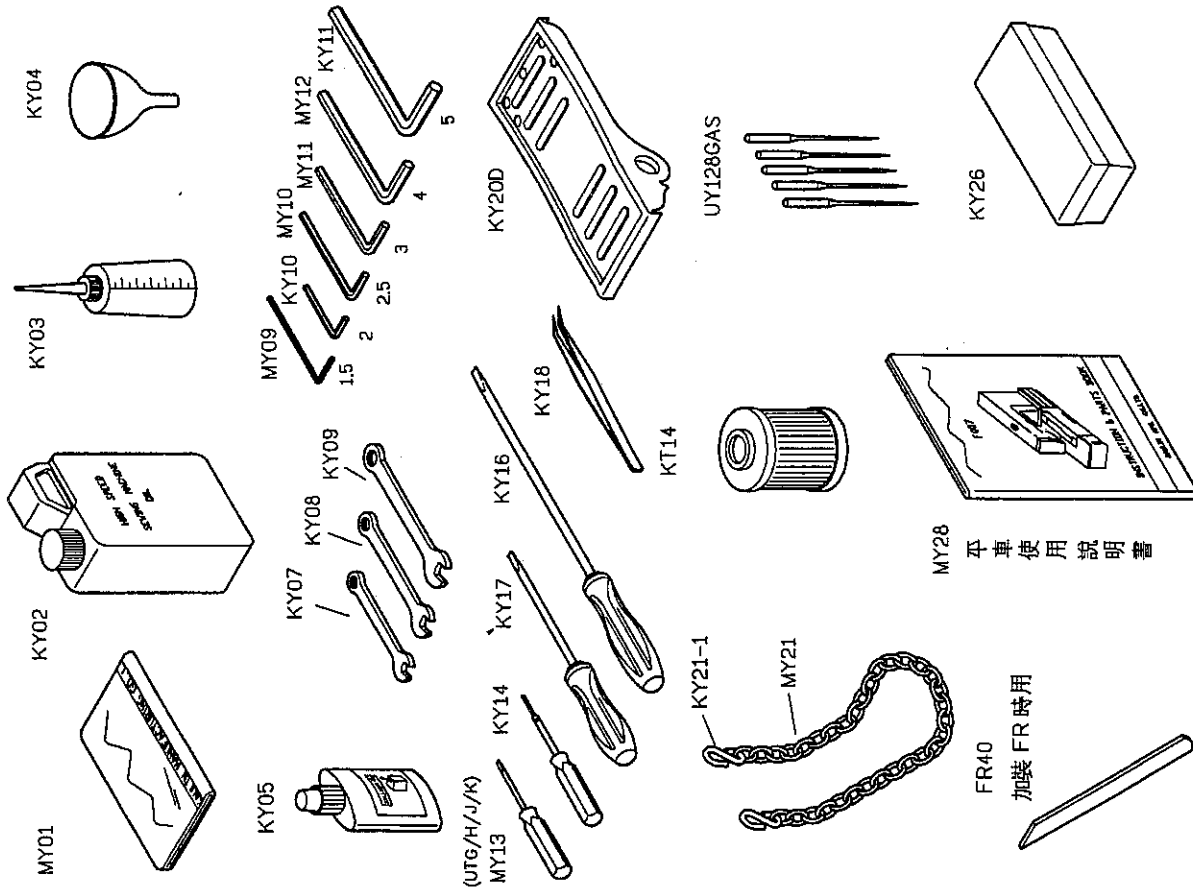


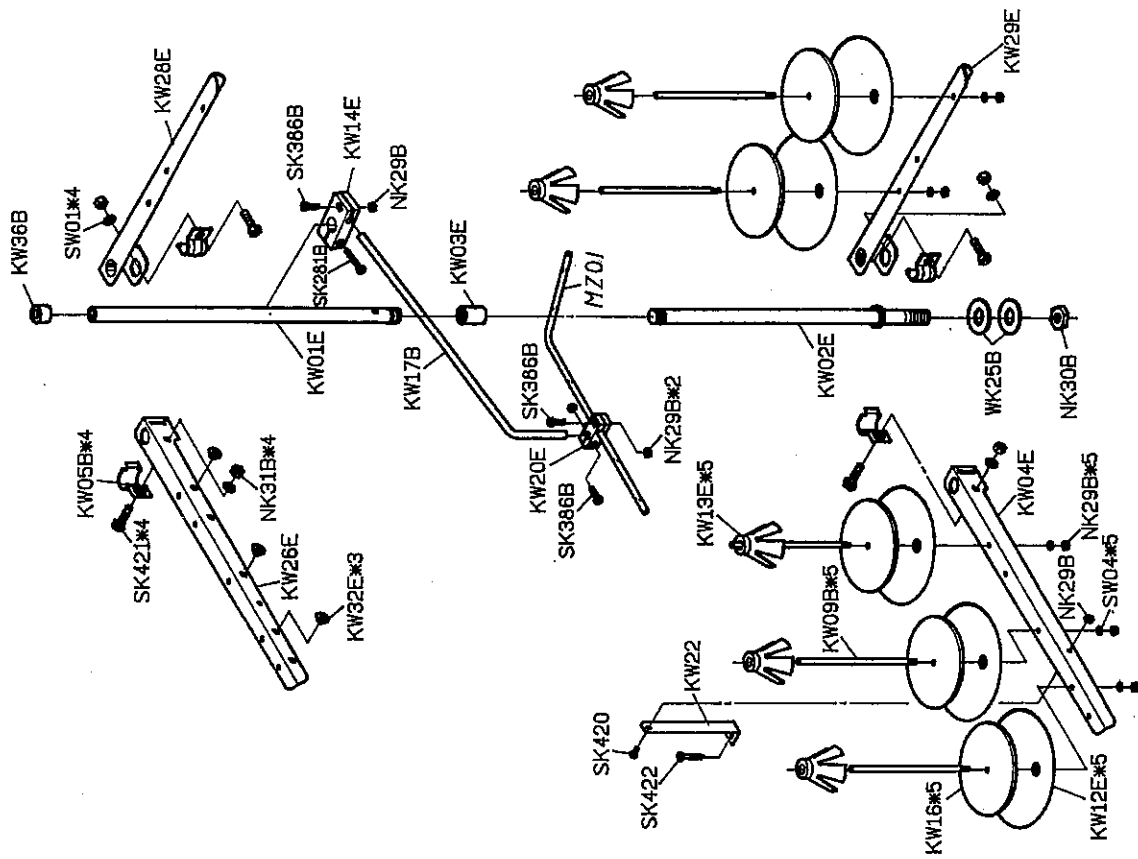
PARTS LIST FOR MN(1) GROUP

PARTS LIST FOR MZ GROUP



PARTS LIST FOR MY GROUP





PARTS LIST FOR KW GROUP



F007_H

高林股份有限公司 KAULIN MFG. CO.,LTD.

MY33H. OCT. 2000

SIRUBA®

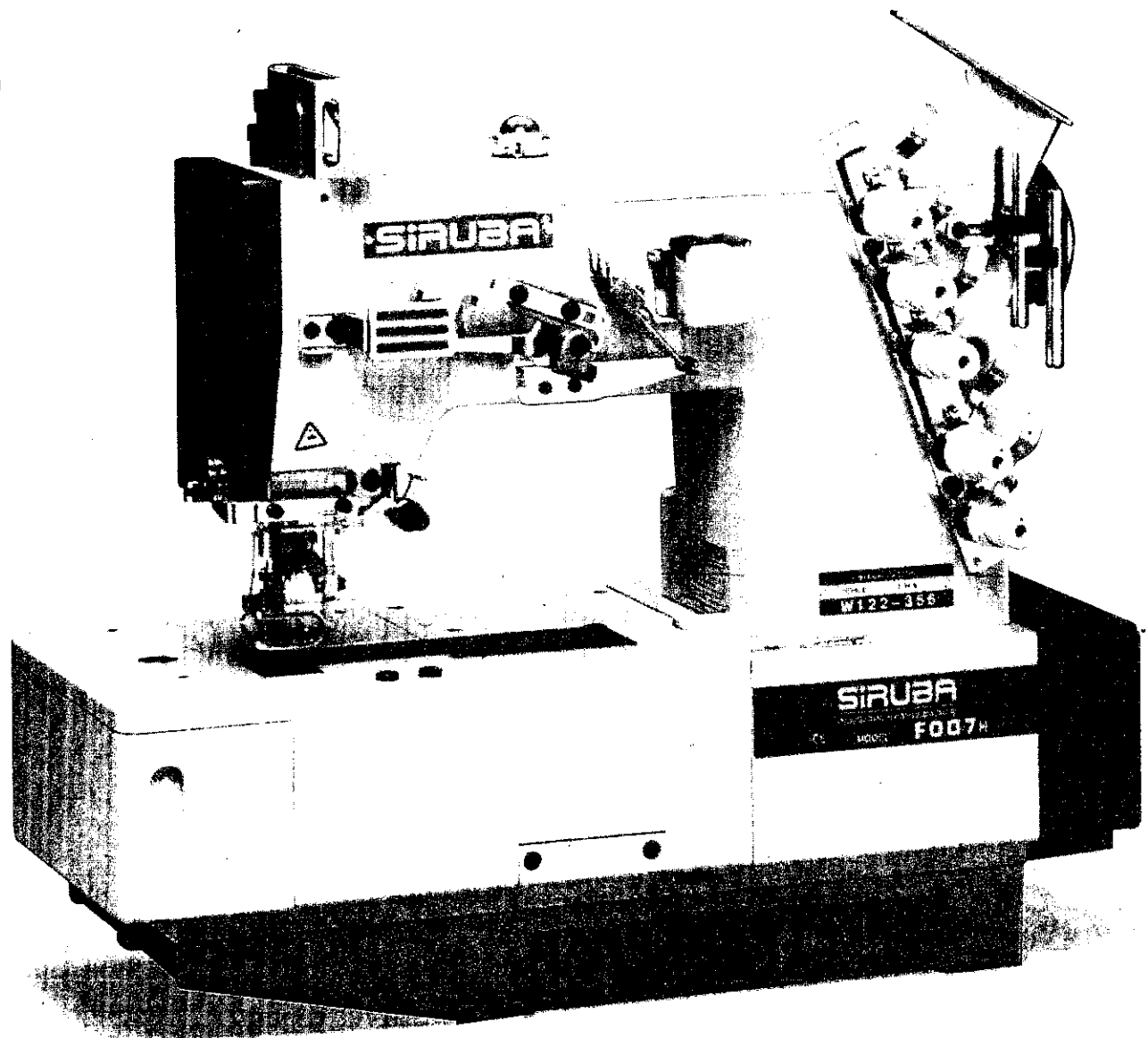
銀箭牌工業用縫紉機

INDUSTRIAL SEWING MACHINE

F007H

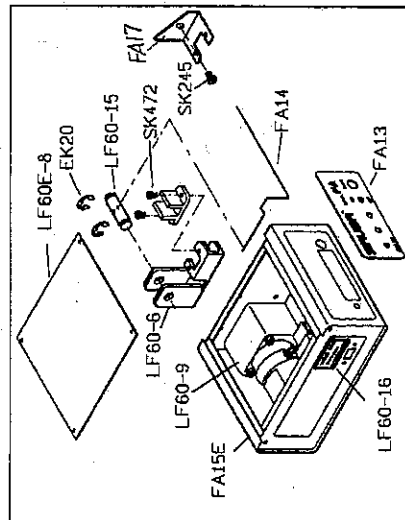
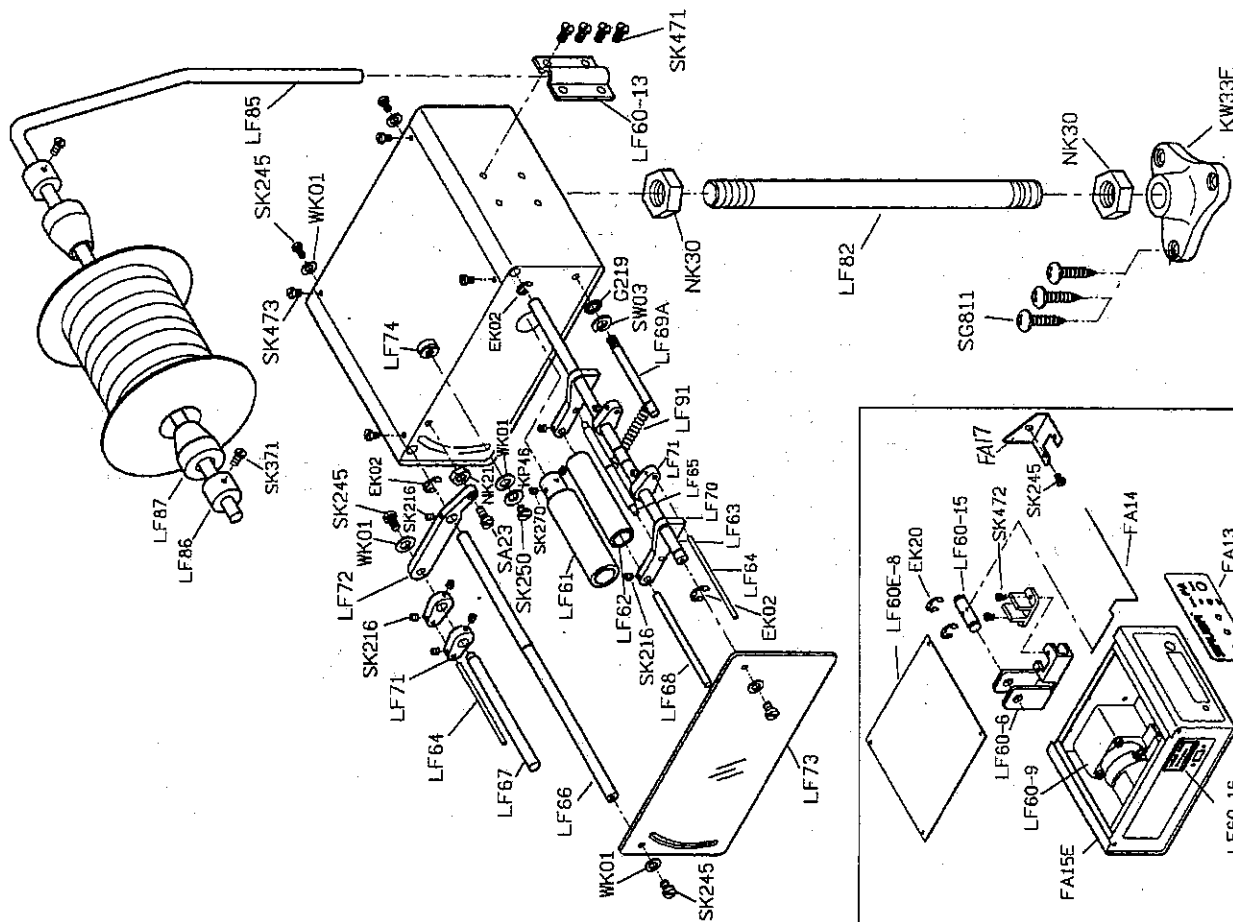
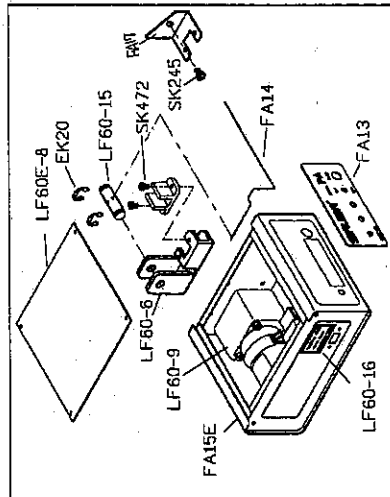
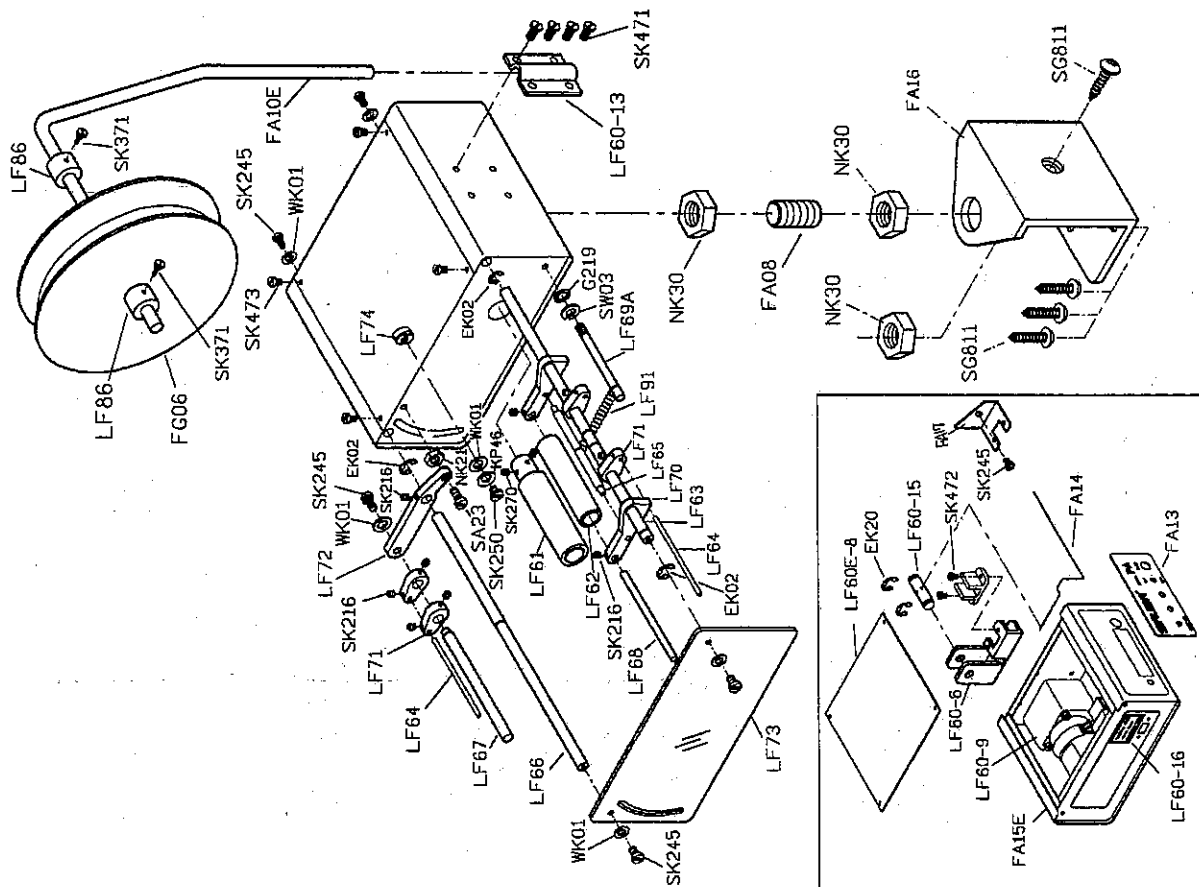
輔助件零件圖

ATTACHMENT PARTS LIST



CE

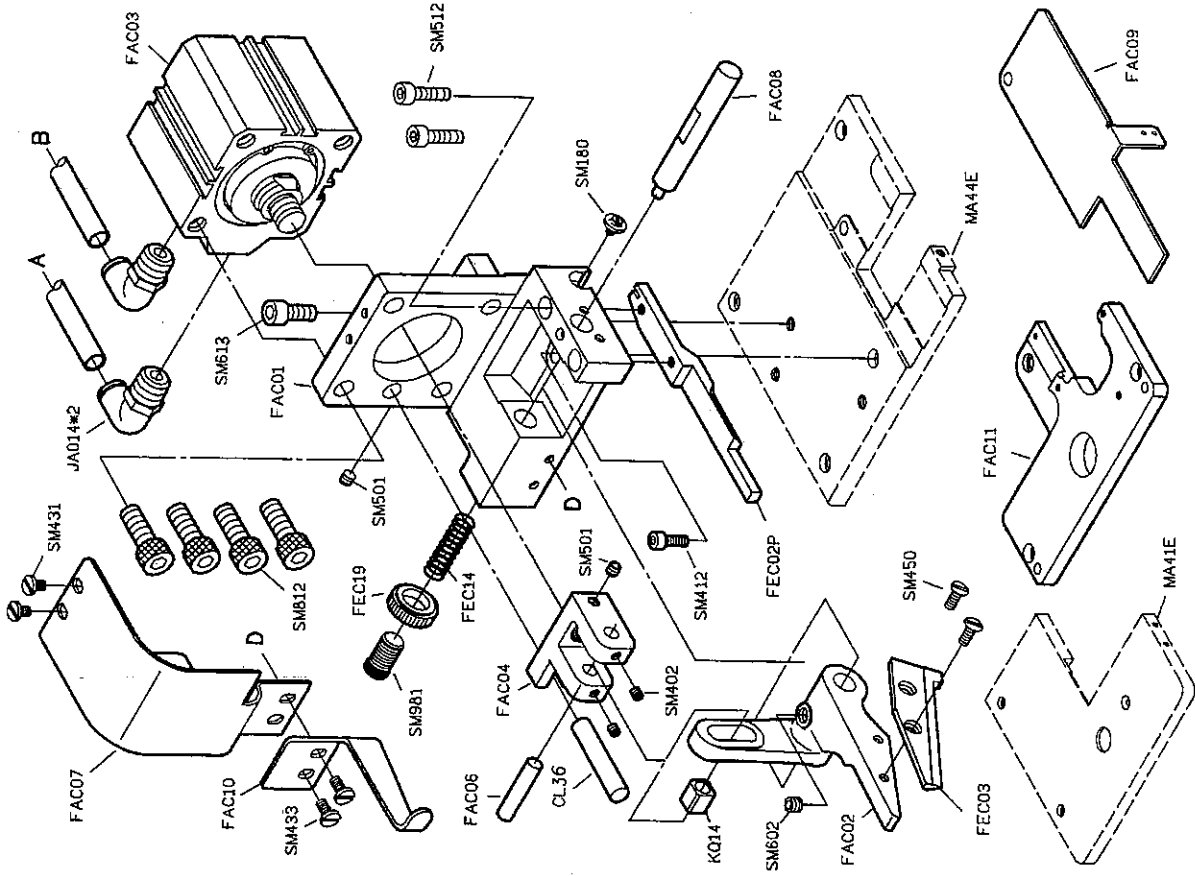
 高林股份有限公司
KAULIN MFG. CO., LTD.



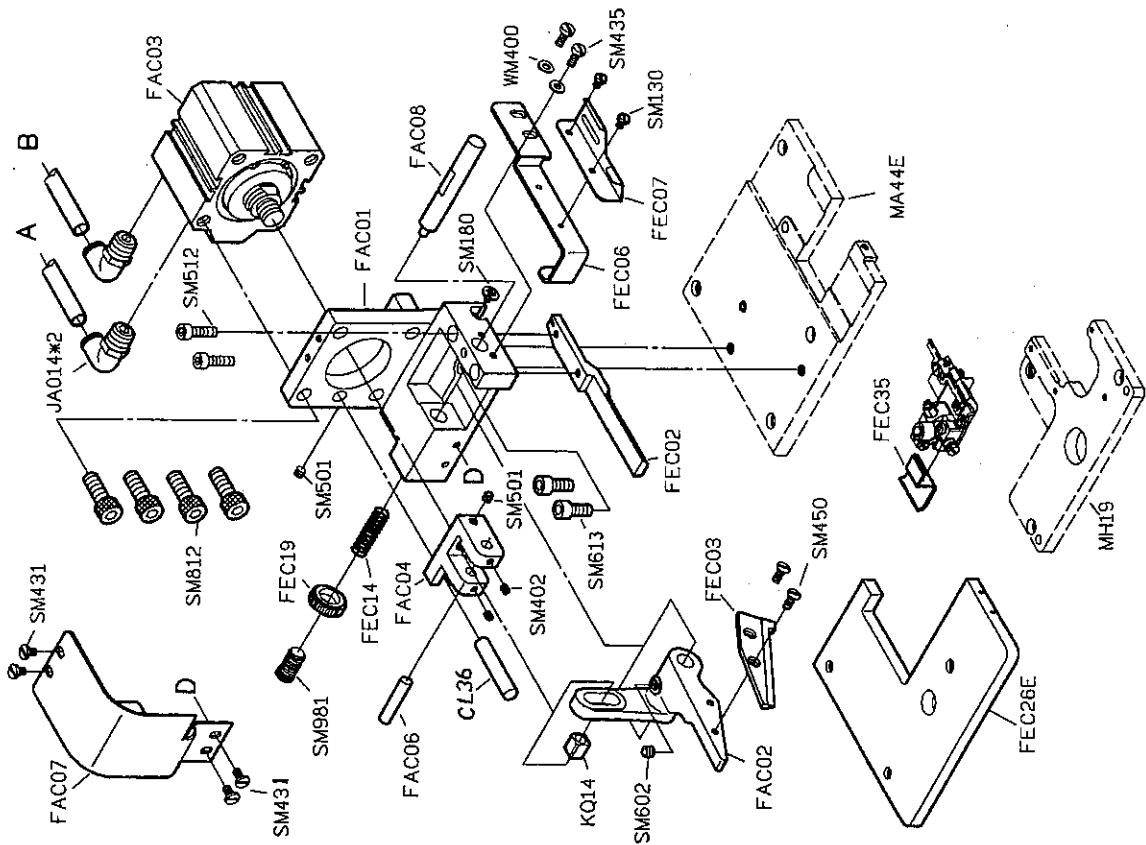
PARTS LIST FOR FAGROUP

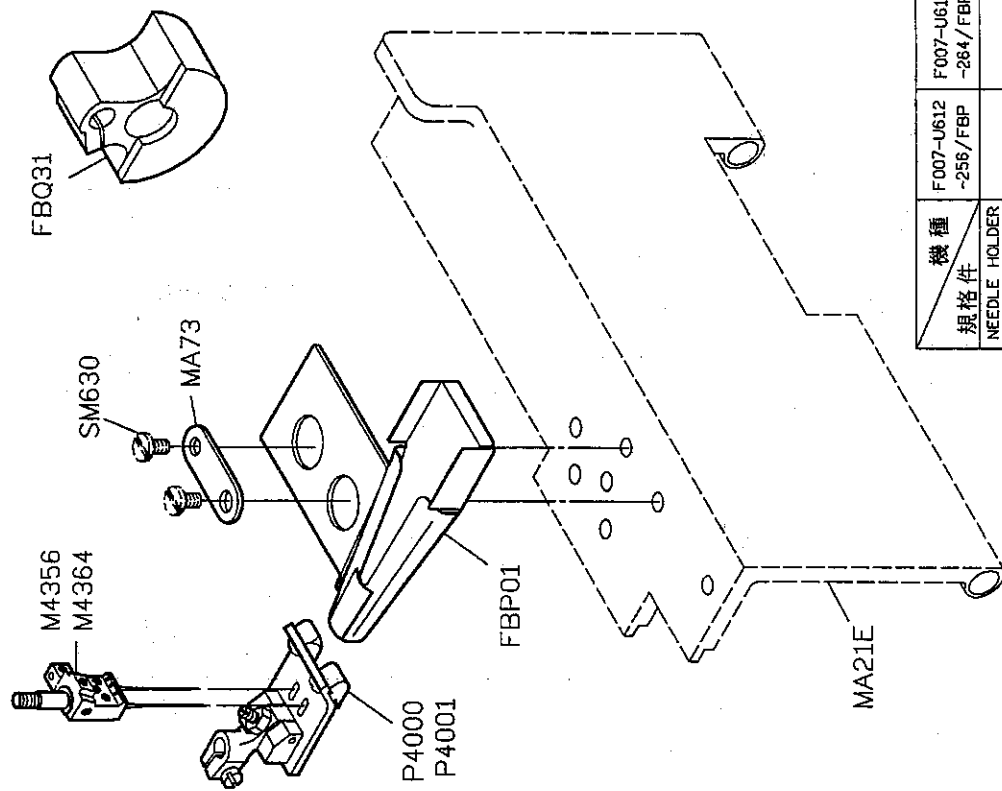
PARTS LIST FOR FA1 GROUP

PARTS LIST FOR FAC(1) GROUP - A TYPE



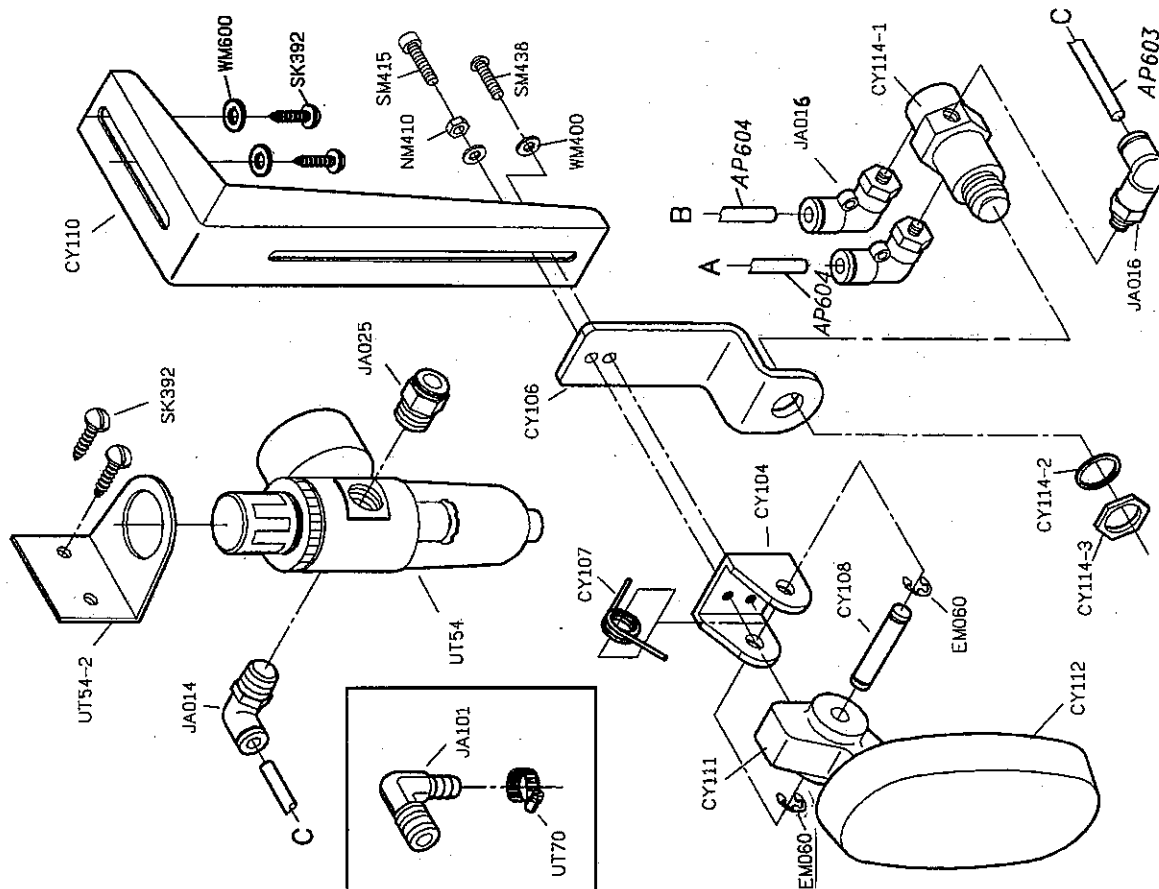
PARTS LIST FOR FAC(1) GROUP





| 機種 | F007-U612 -256/FBP | F007-U612 -284/FBP |
|-----------------------------|-----------------------|-----------------------|
| 規格件 | M4356 | M4364 |
| NEEDLE HOLDER (針筒) | E1826 | E1827 |
| NEEDLE PLATE (針板) | #10~#11 | #14~#16 |
| NEEDLE (針) | P4000 | P4001 |
| PRESSER FOOT ASS (壓具) | | |

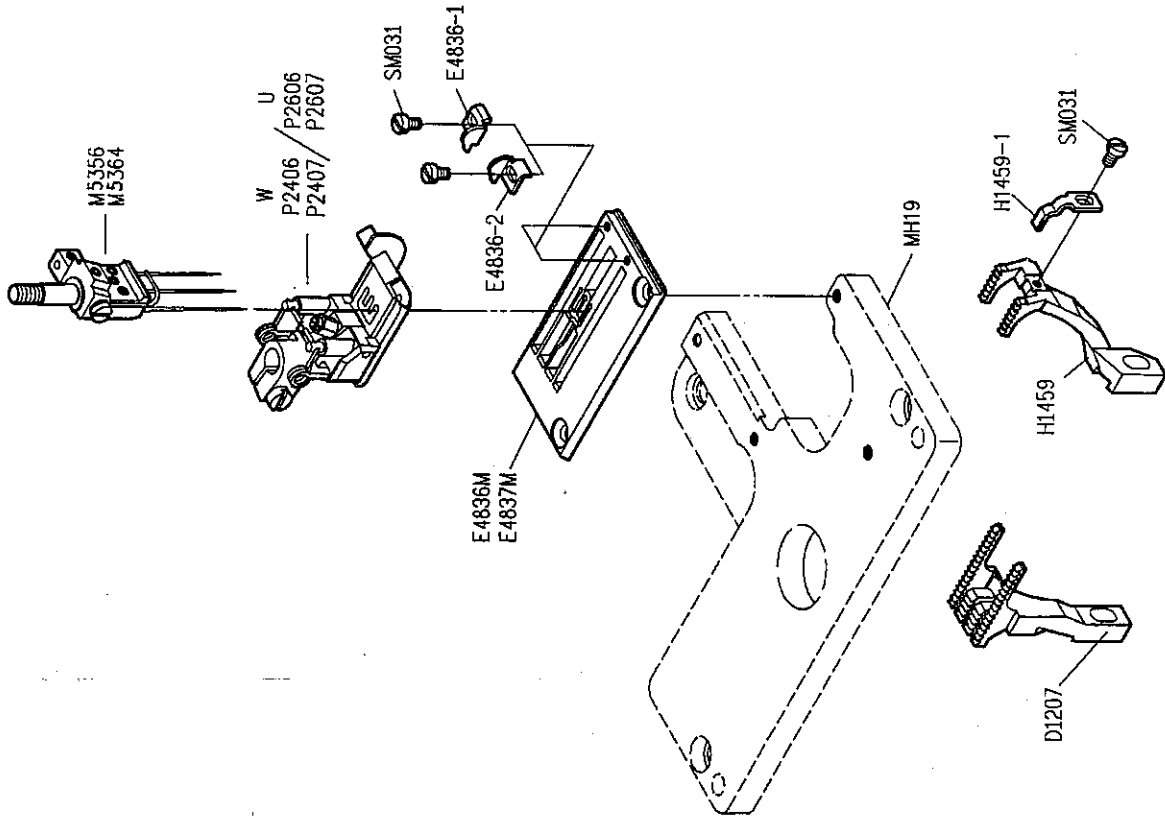
| 針距 | 成品尺寸 | 喇叭代號 |
|-----|--------|--------|
| 5.6 | 9 (mm) | FBP01A |
| 5.6 | 10 | FBP01B |
| 6.4 | 12 | FBP01C |



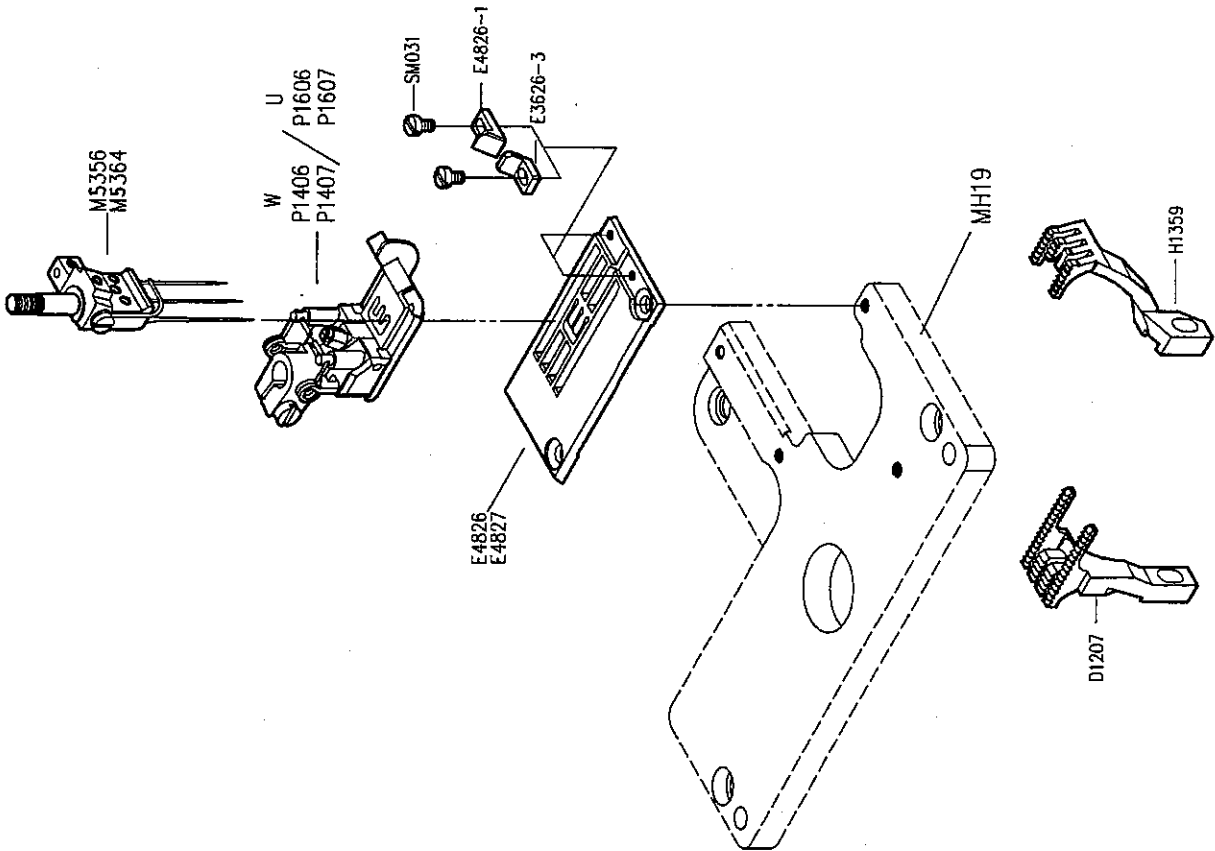
PARTS LIST FOR FBP GROUP

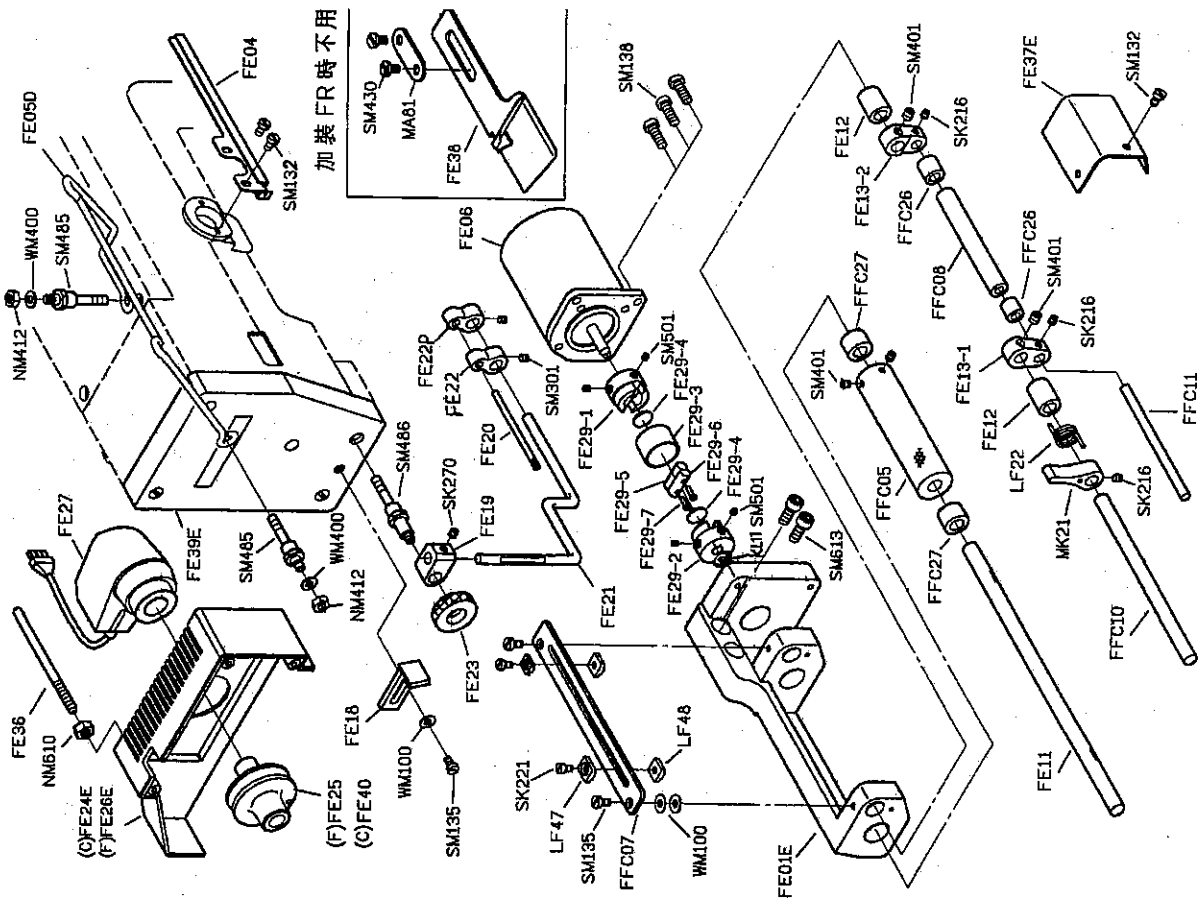
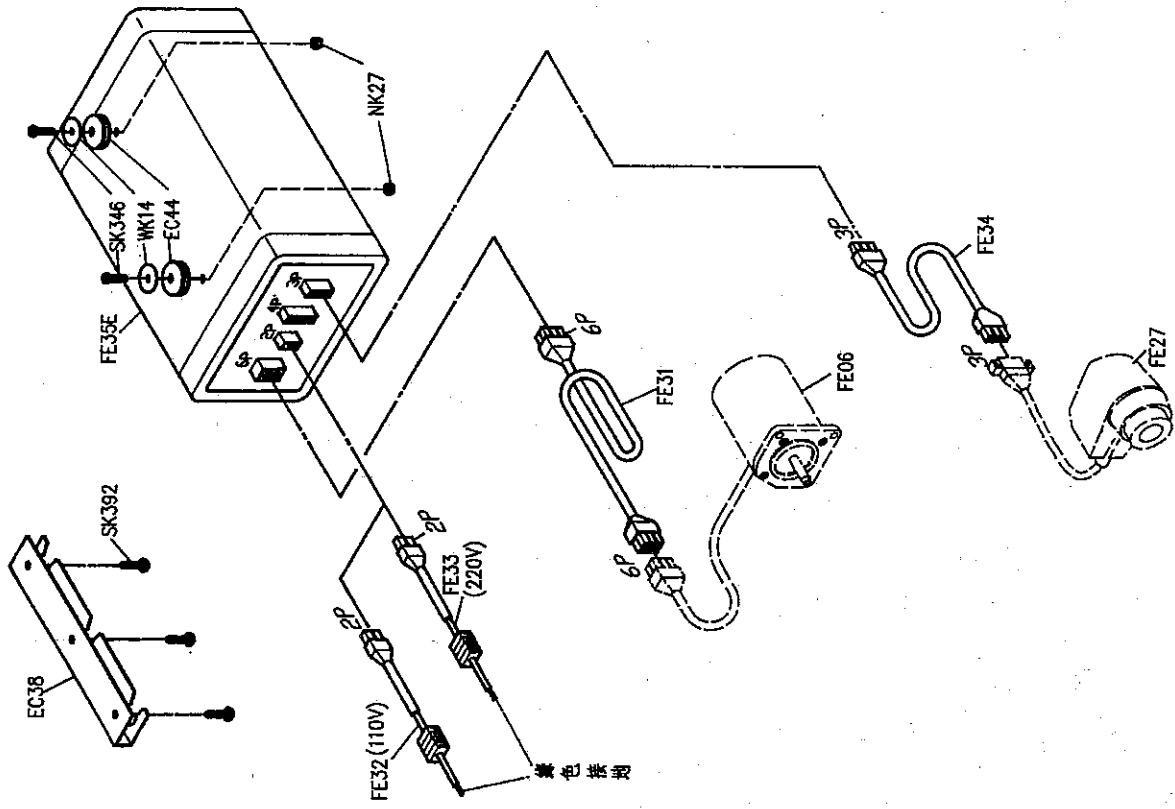
PARTS LIST FOR FAC (2) GROUP

PARTS LIST FOR FDE GROUP

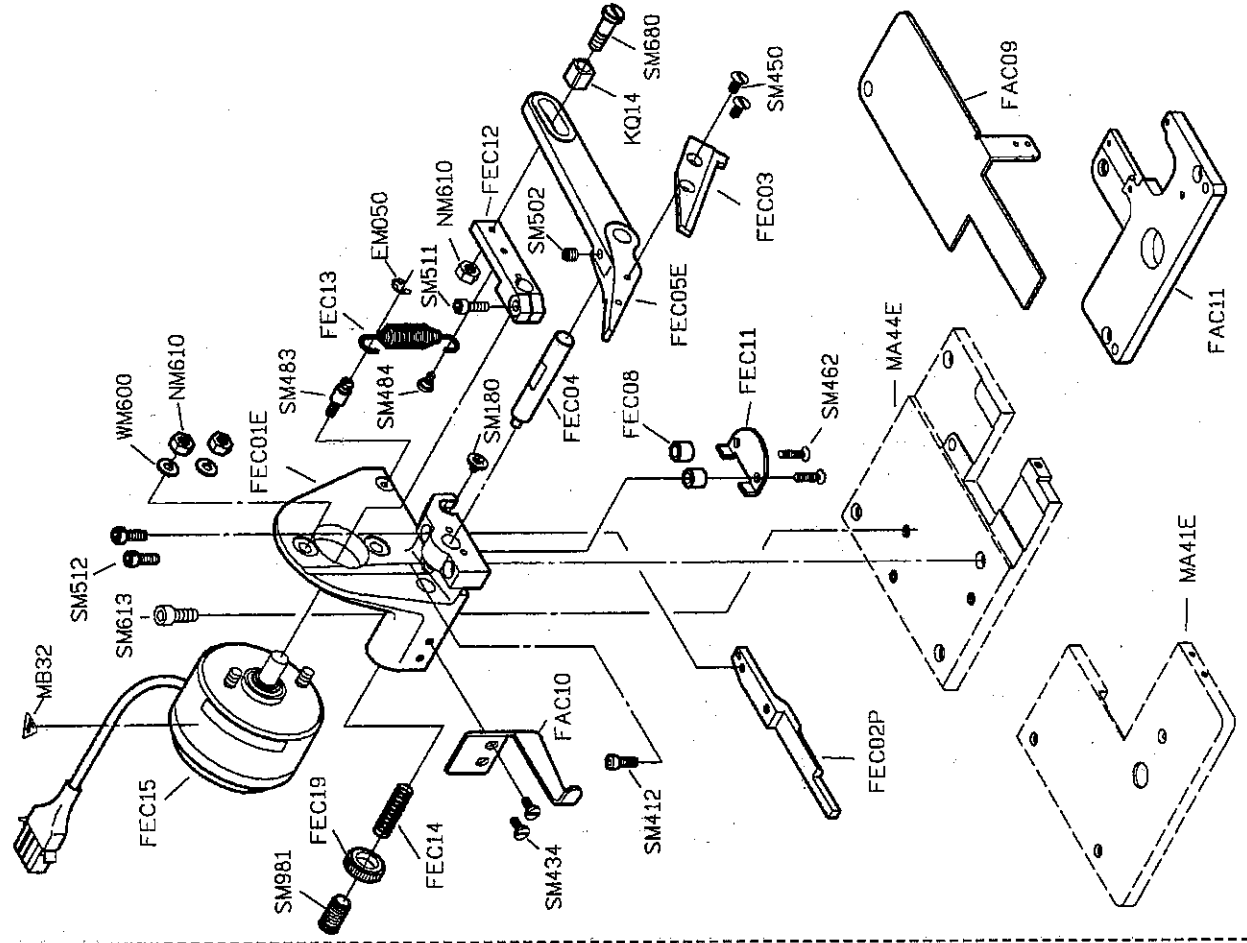


PARTS LIST FOR FDC GROUP



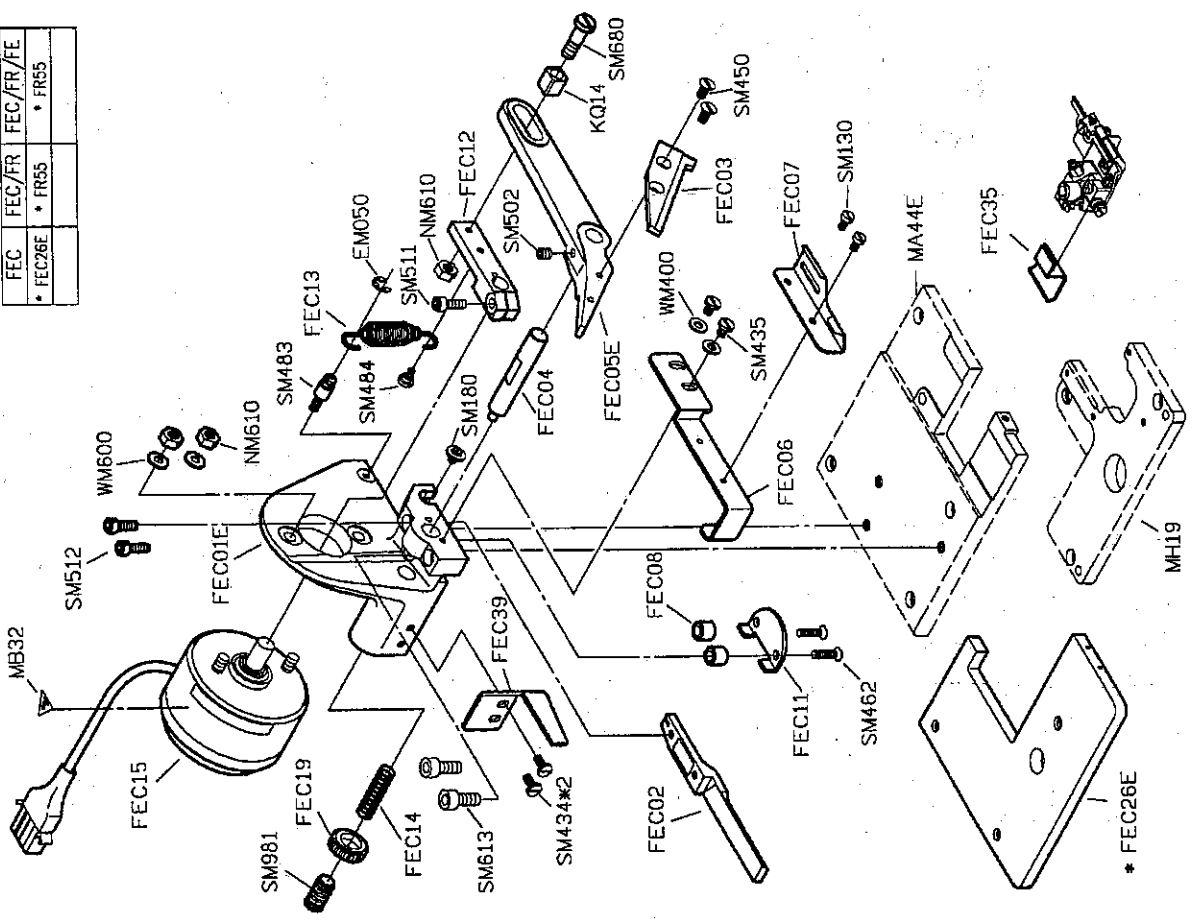


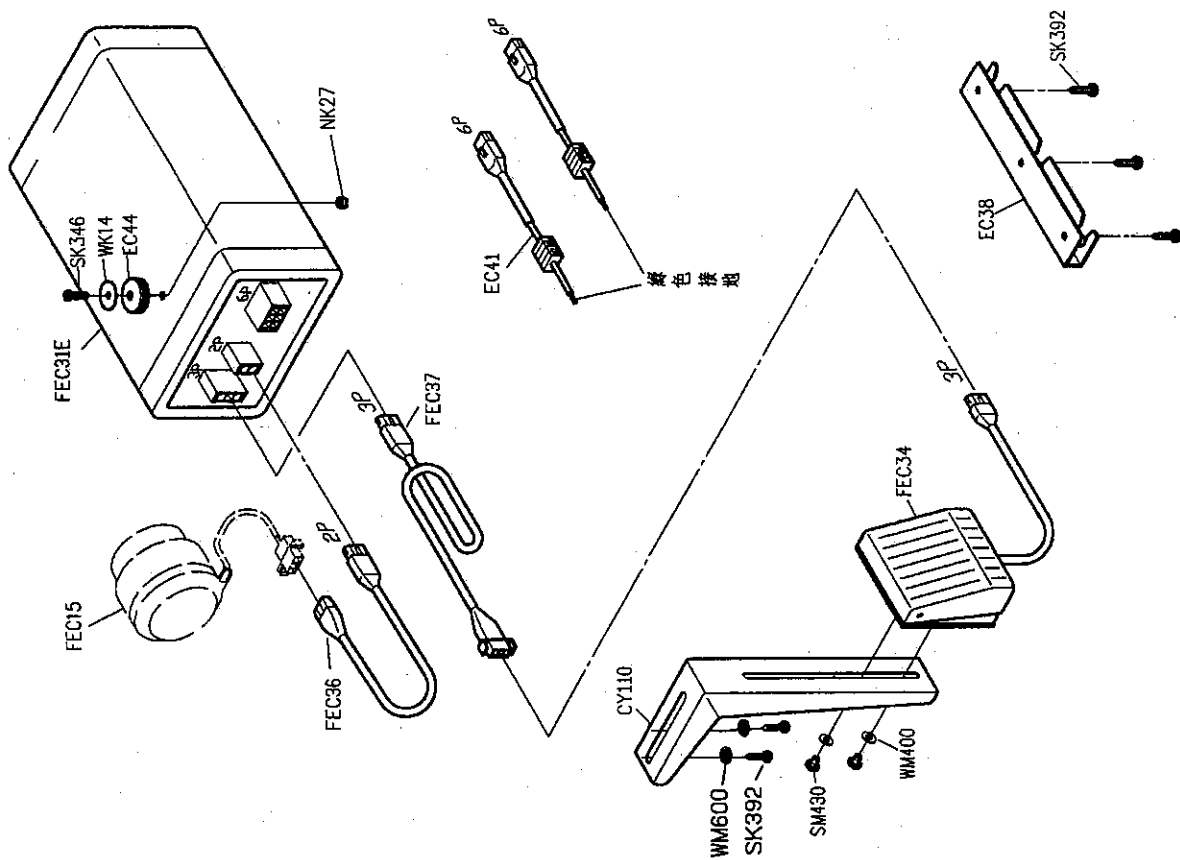
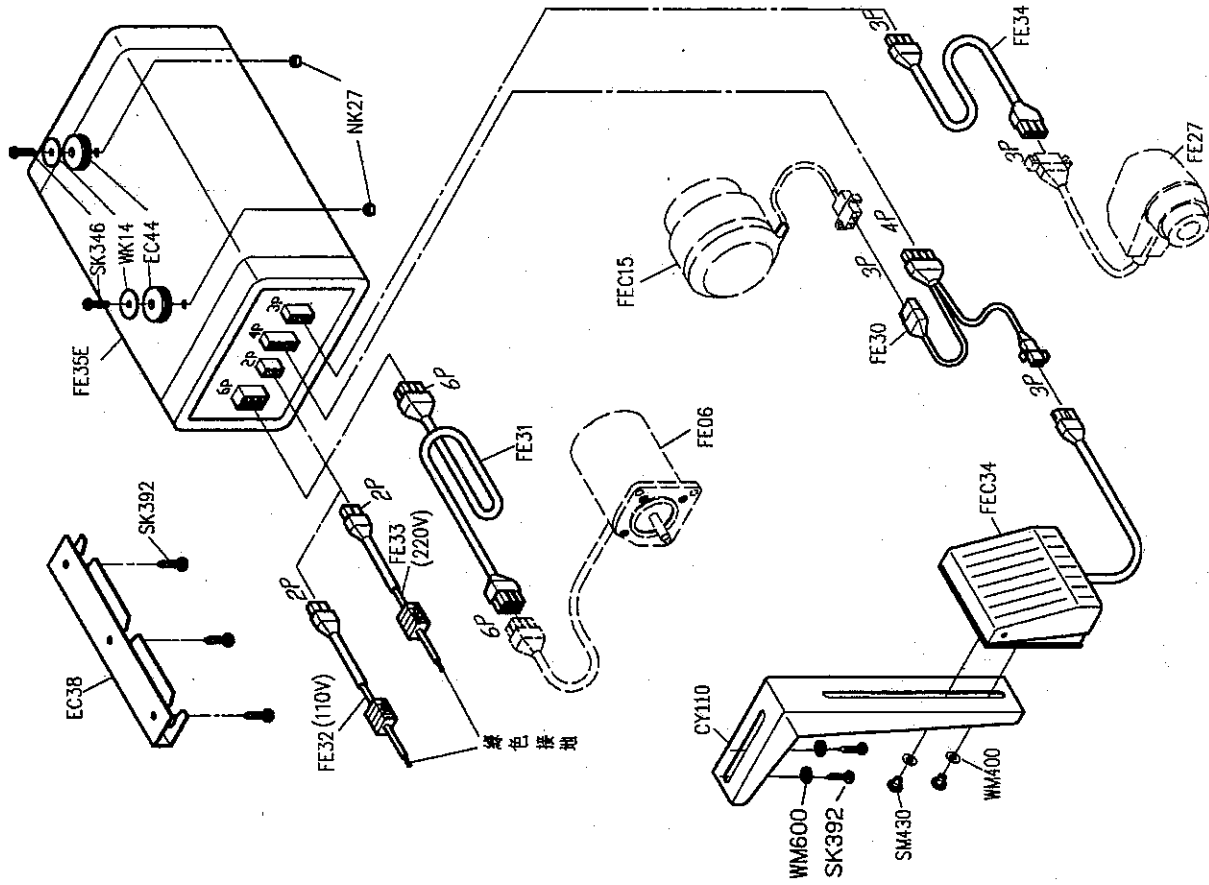
PARTS LIST FEC(1) GROUP - A TYPE



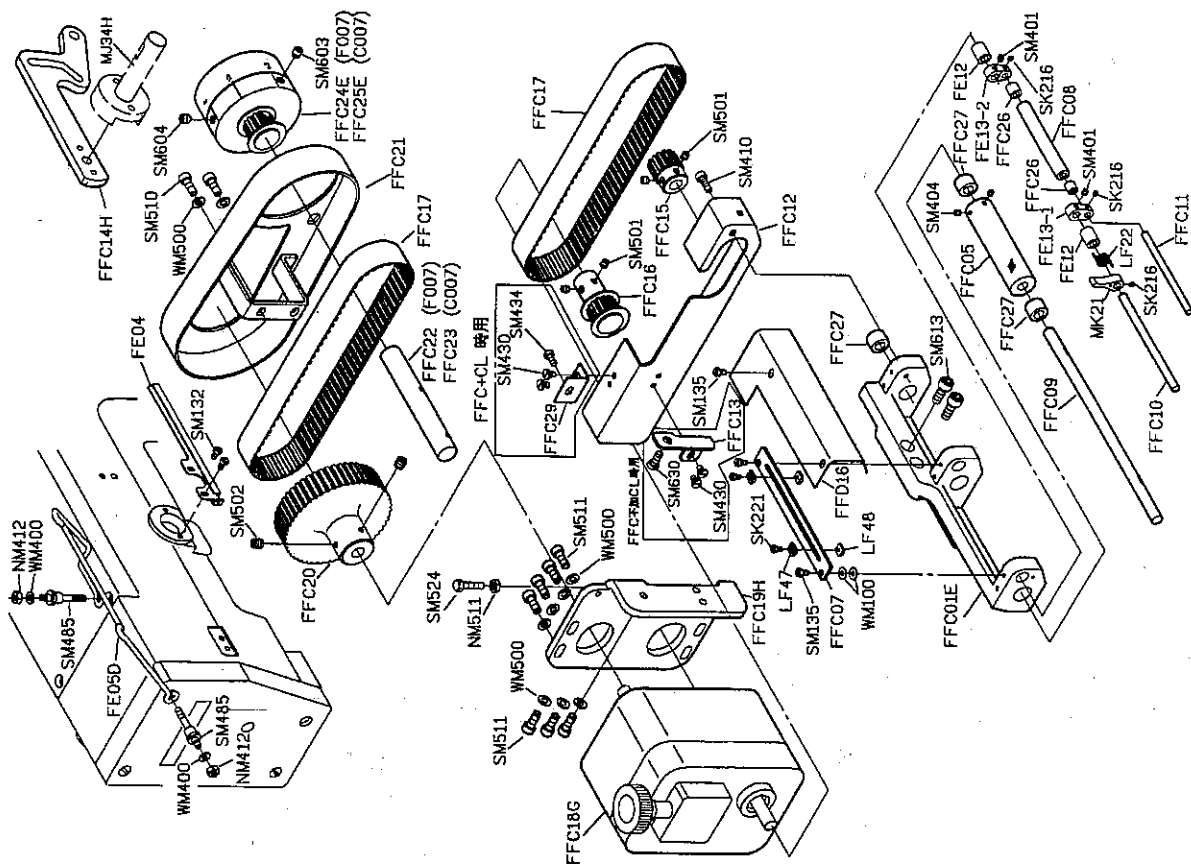
PARTS LIST FOR FEC (1) GROUP

| FEC | FEC/RR | FEC/RR/FE |
|----------|--------|-----------|
| * FEC28E | * FR55 | * FR55 |

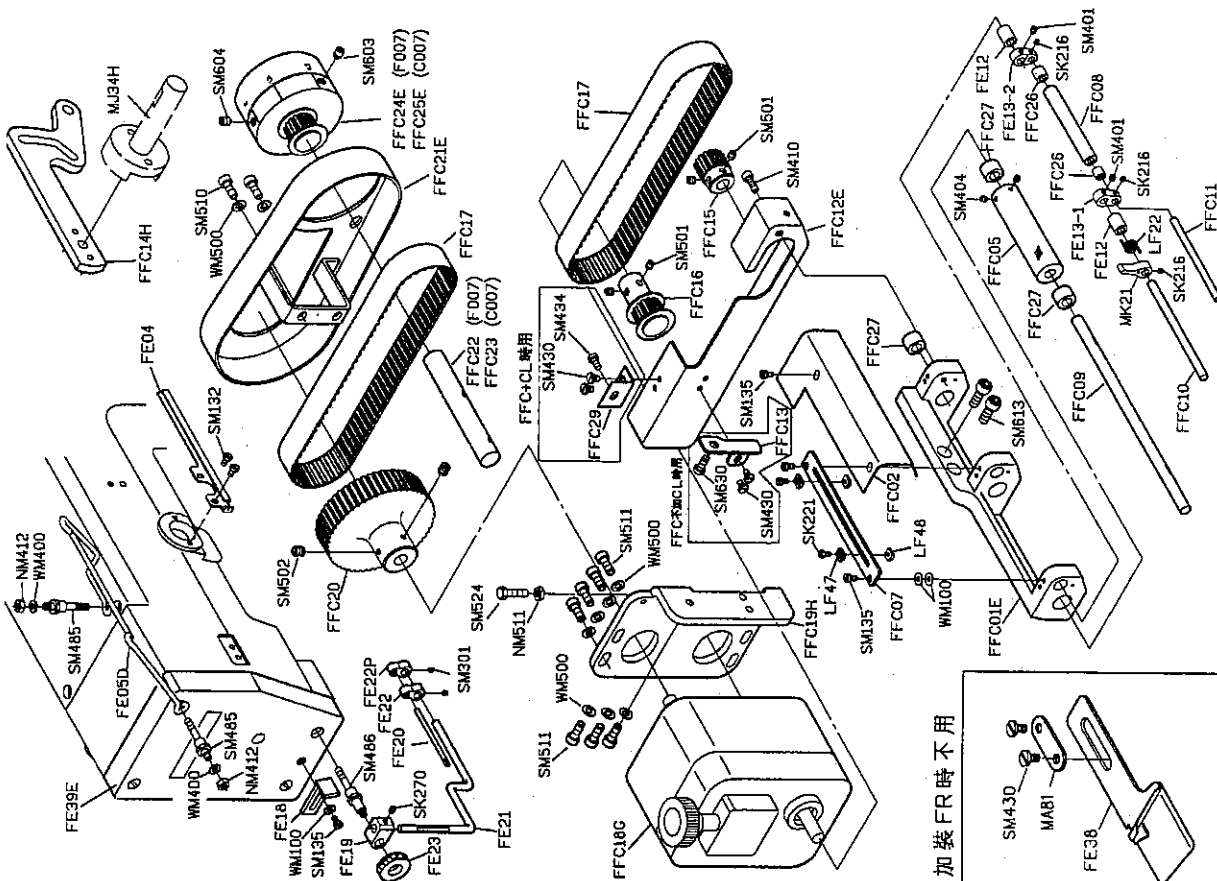




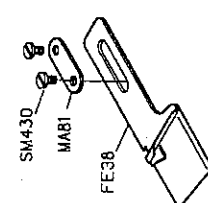
PARTS LIST FOR FFD(1) GROUP

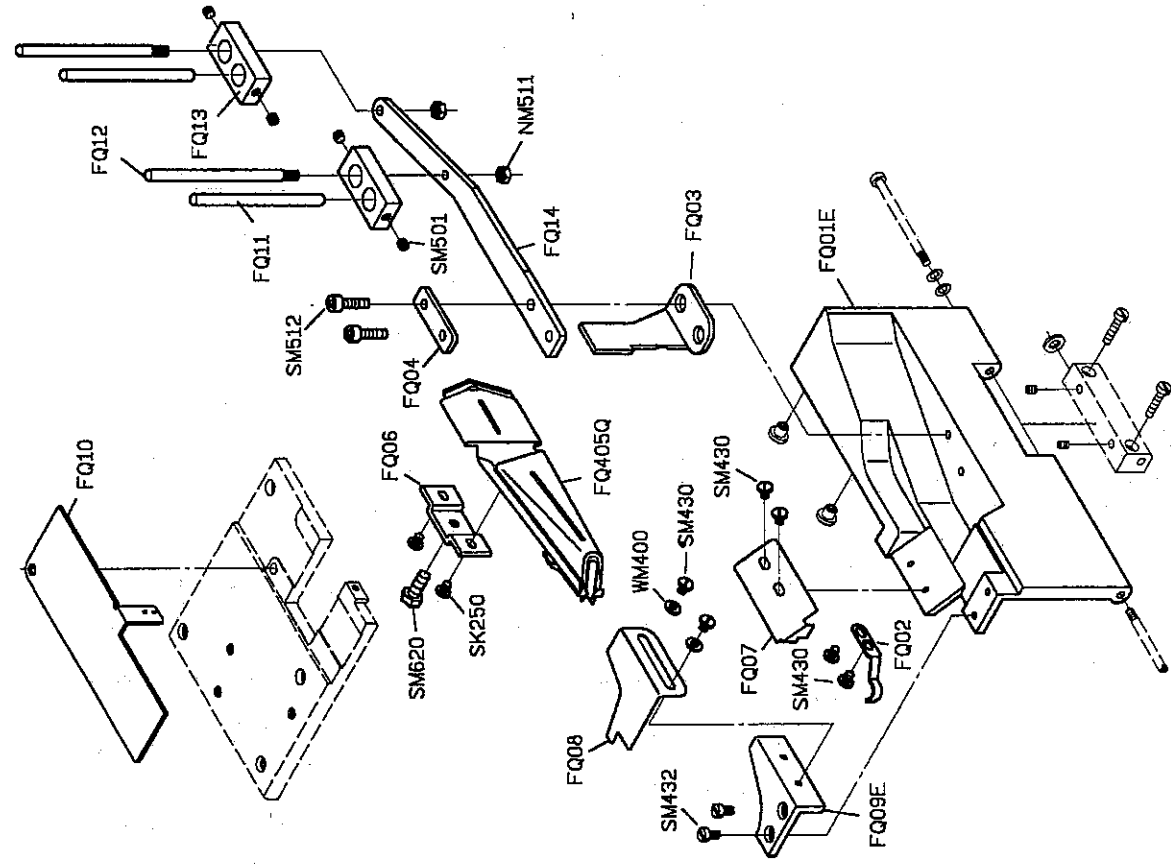


PARTS LIST FOR FFC GROUP

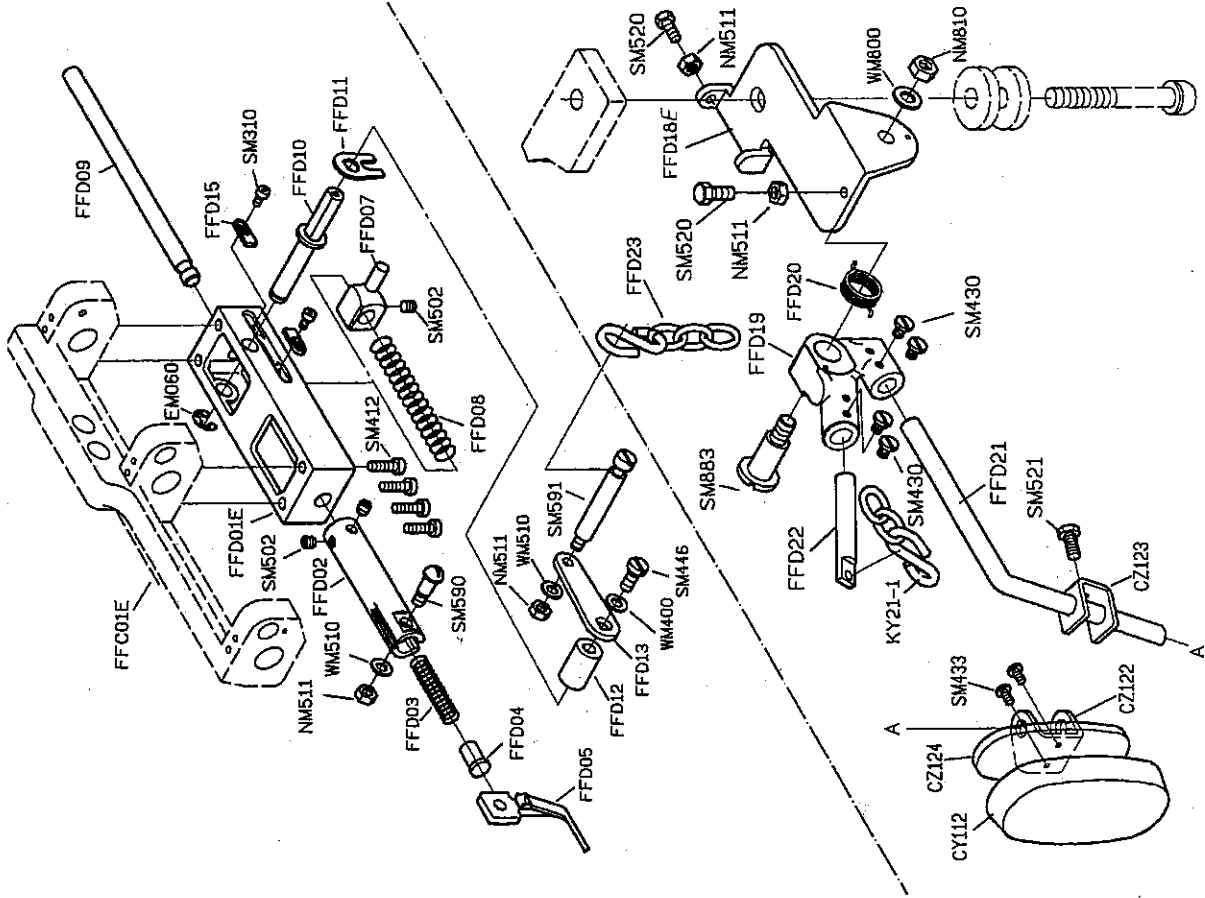


加裝FR時不用



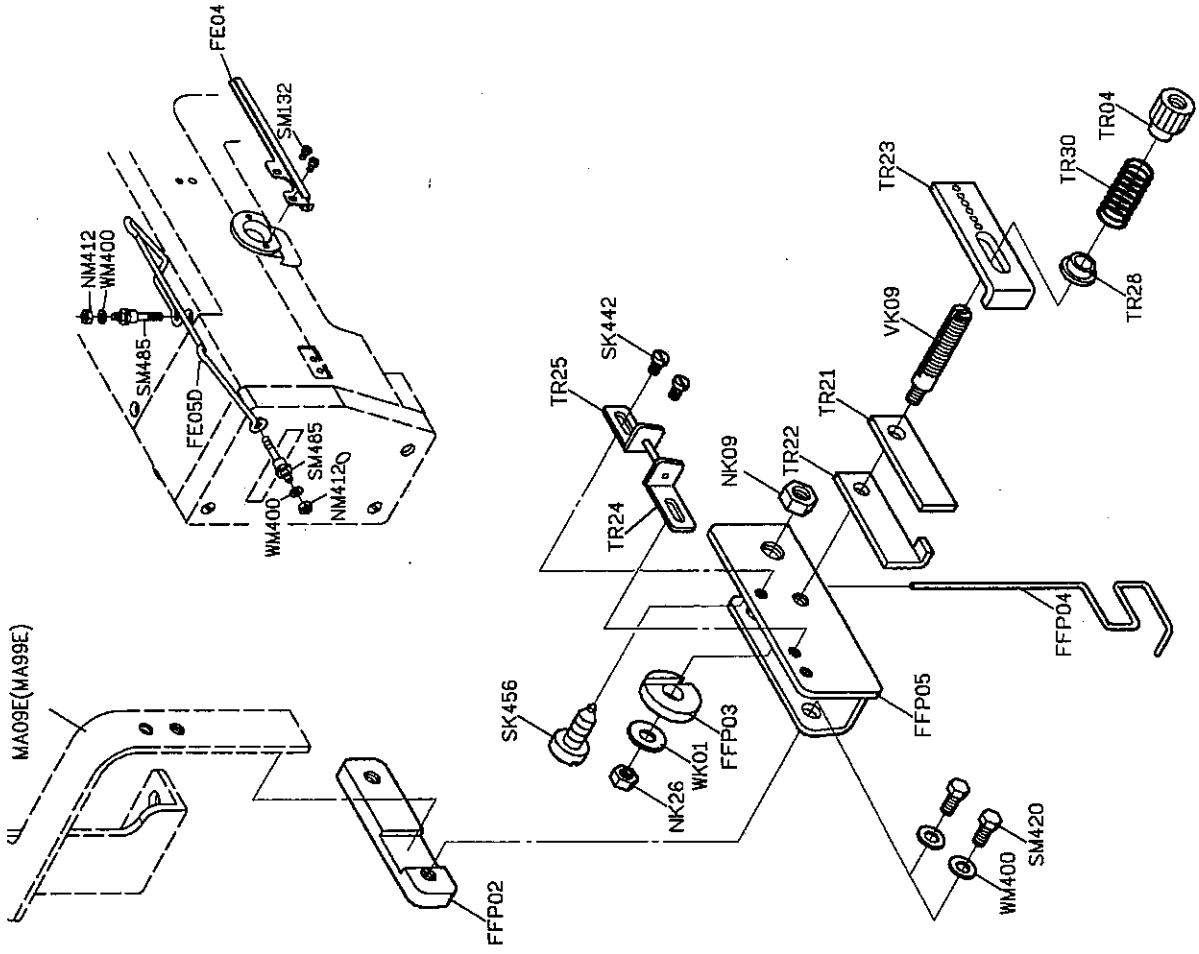


PARTS LIST FOR FFD(3) GROUP

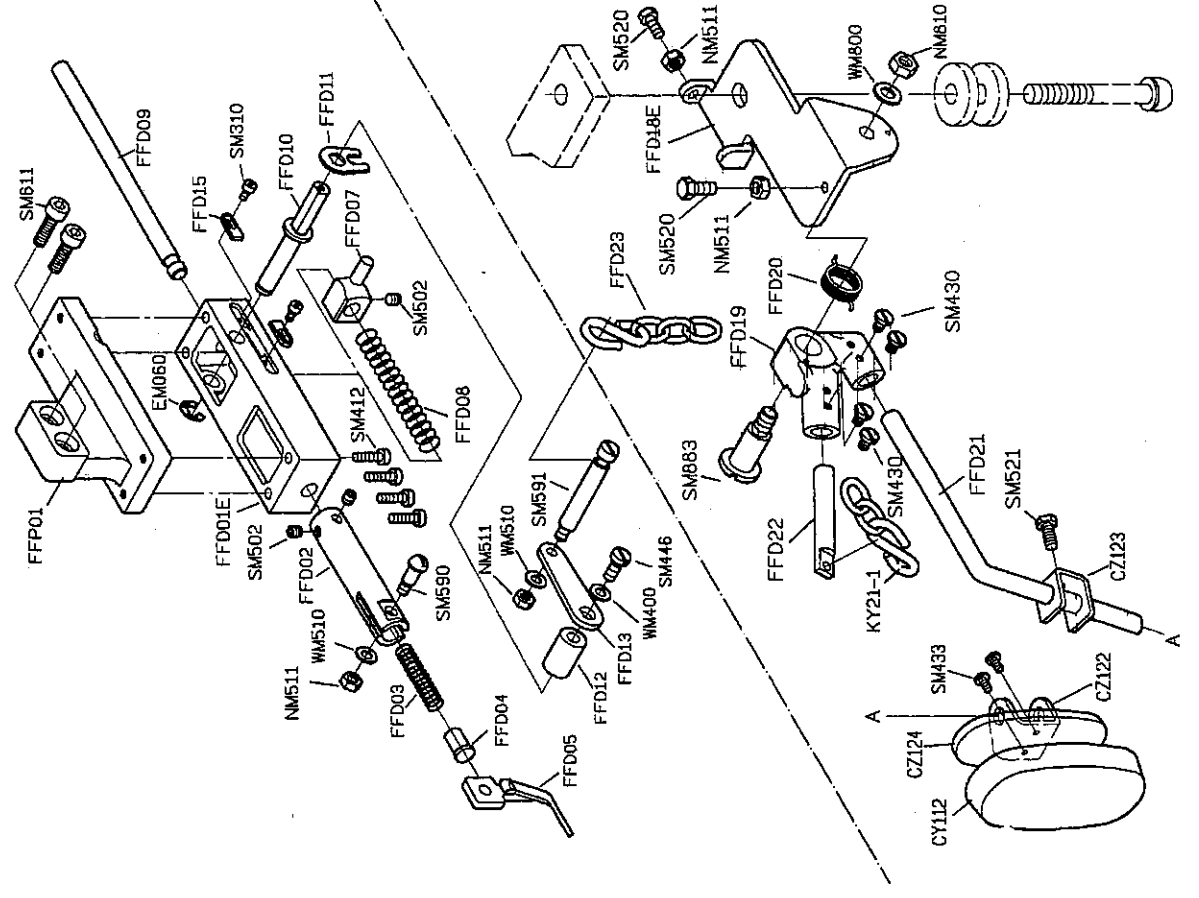


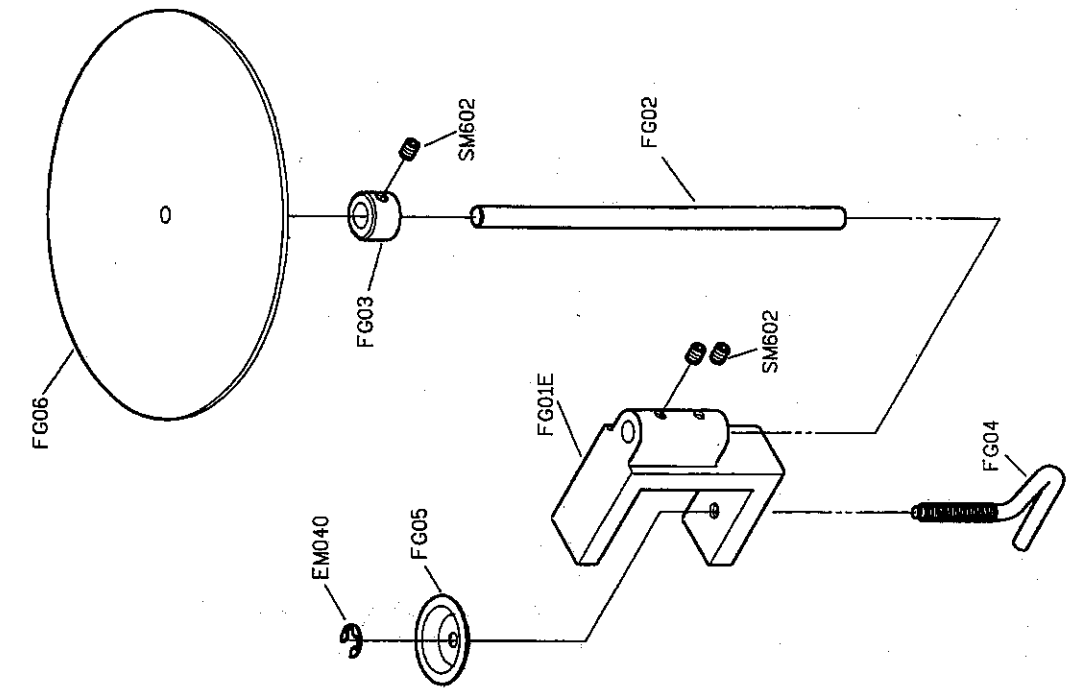
PARTS LIST FOR FFD(2) GROUP

PARTS LIST FOR FFP (1) GROUP

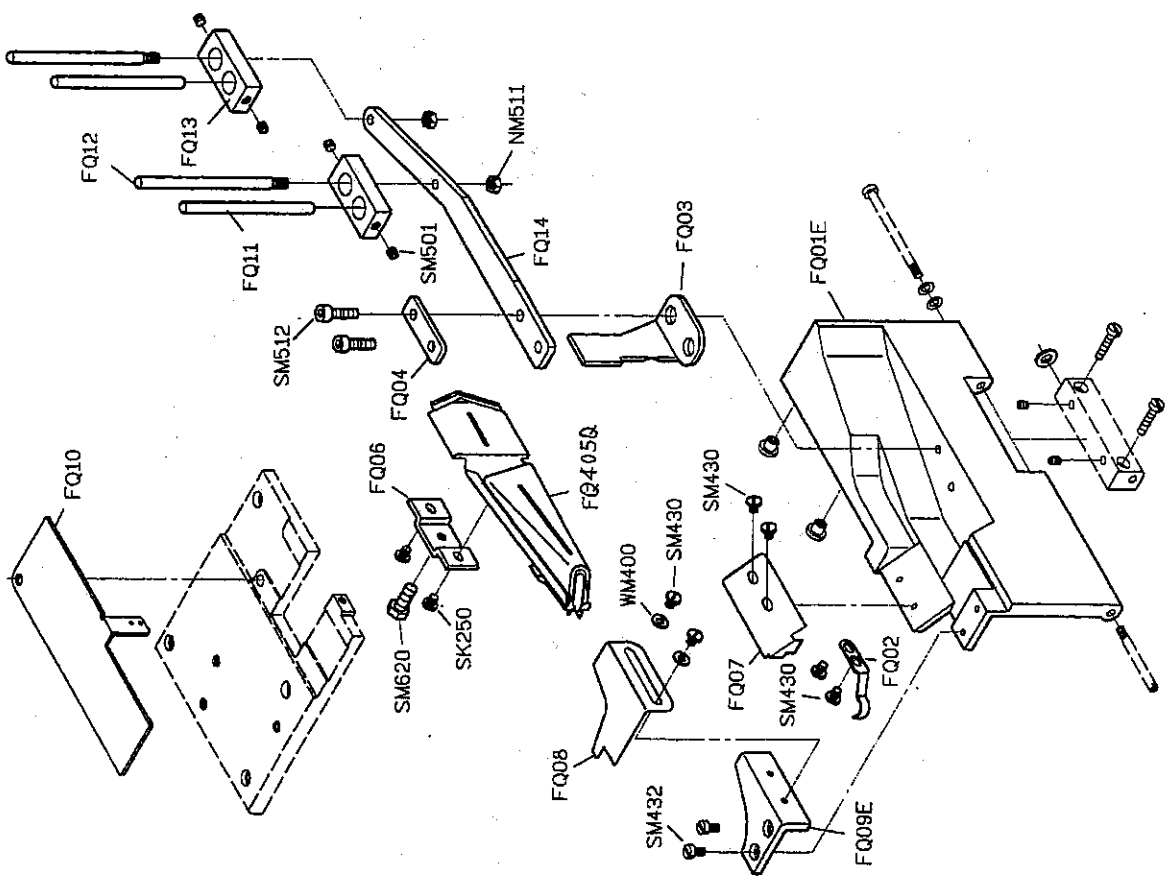


PARTS LIST FOR FFP (2) GROUP



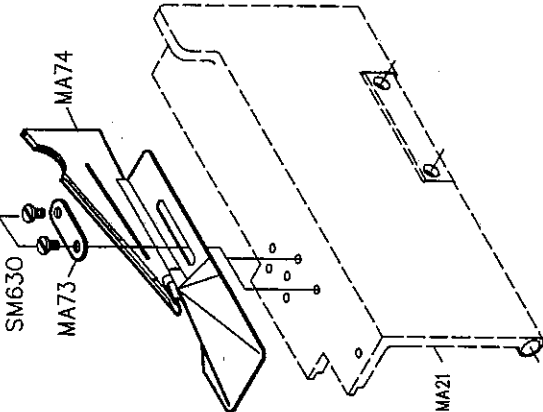


註：FQ, CQ, FFD 等必需附加比套 (如定購FA時, 則此套可免加入)



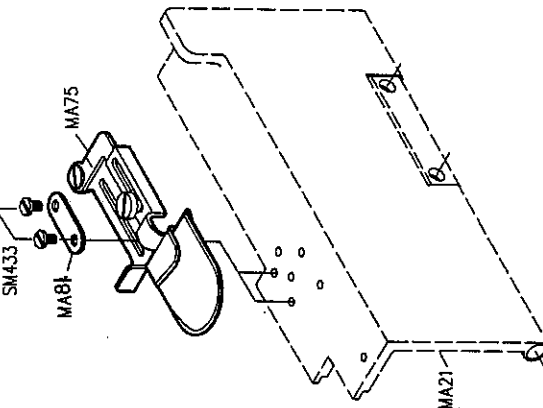
PARTS LIST FOR FHA/FHB/FHC GROUP

FHB FOR COLLARETTI WITH F007-W122 SYSTEM

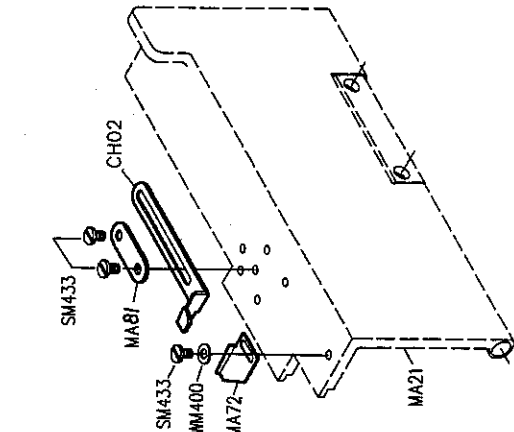


FHC

FOR HEMMING BOTTOMS WITH F007-W122 SYSTEM

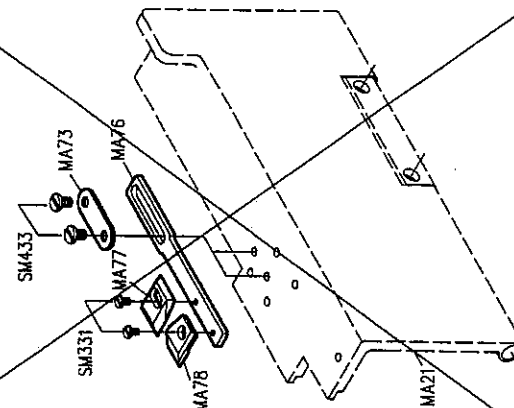


FHA FOR HEMMING BOTTOMS WITH F007-W122 SYSTEM

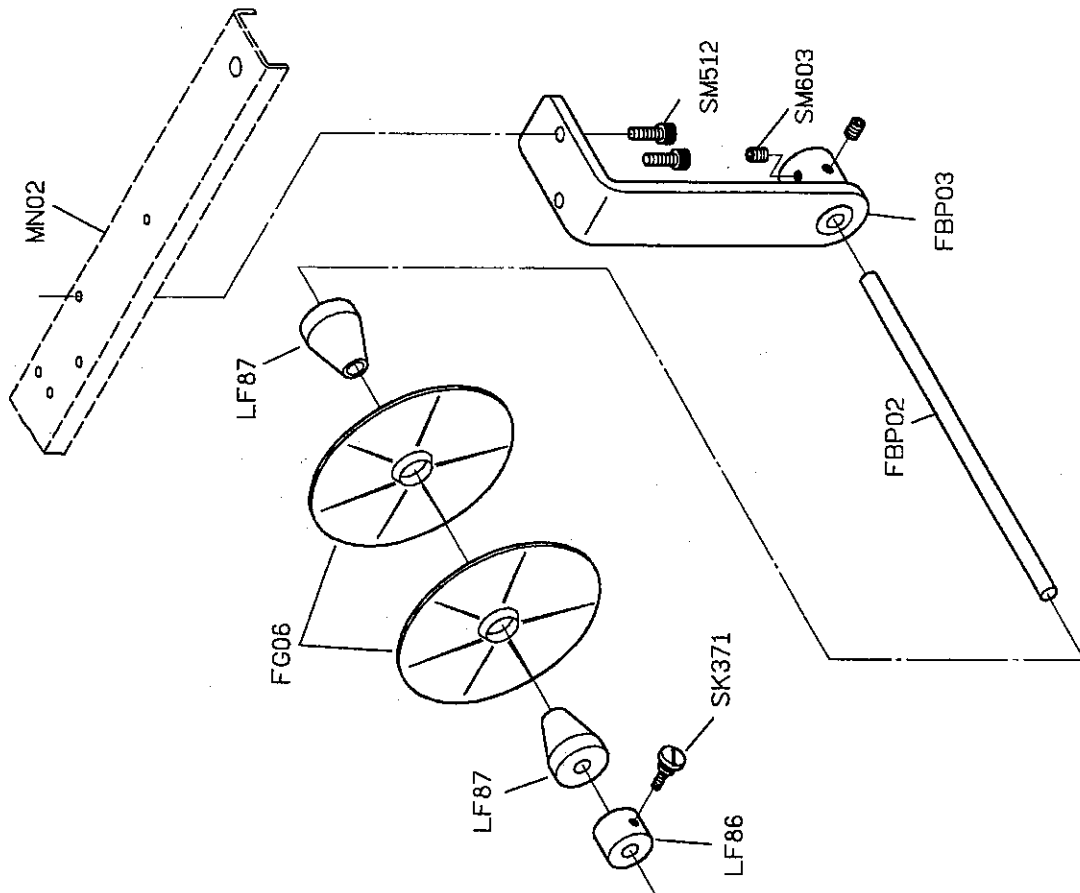


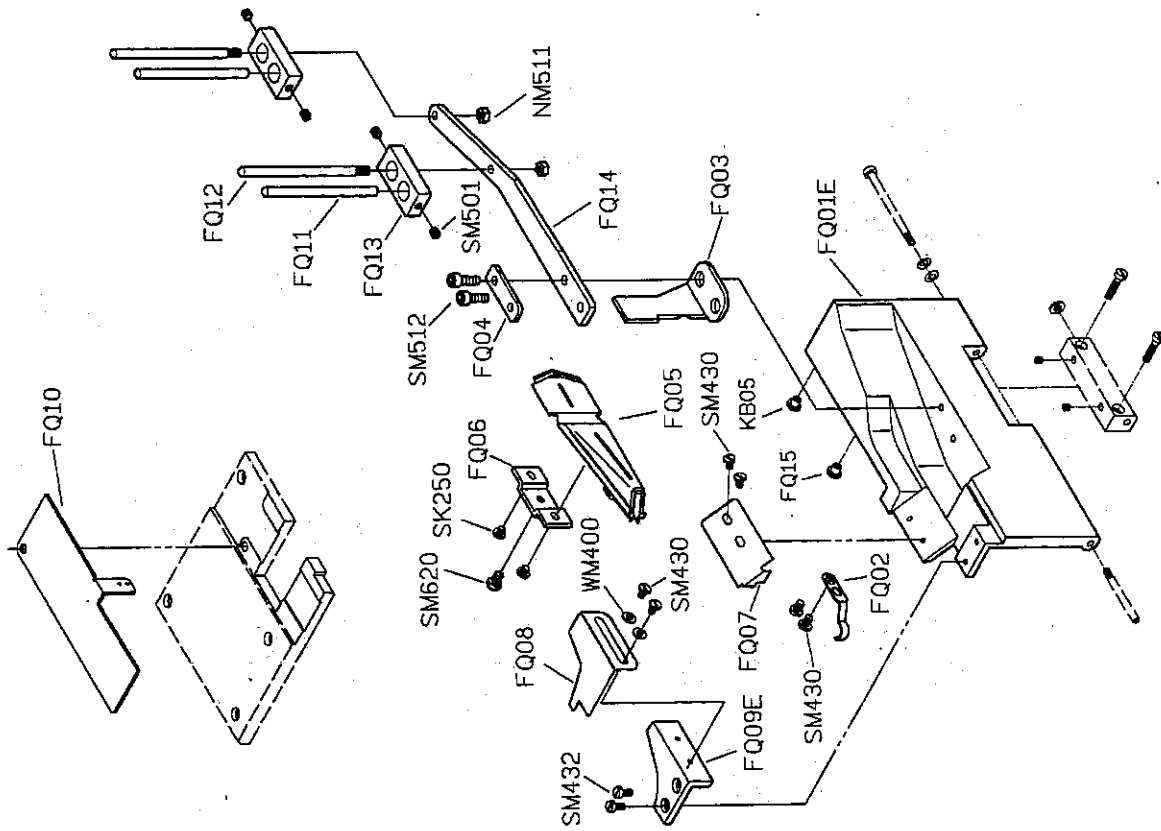
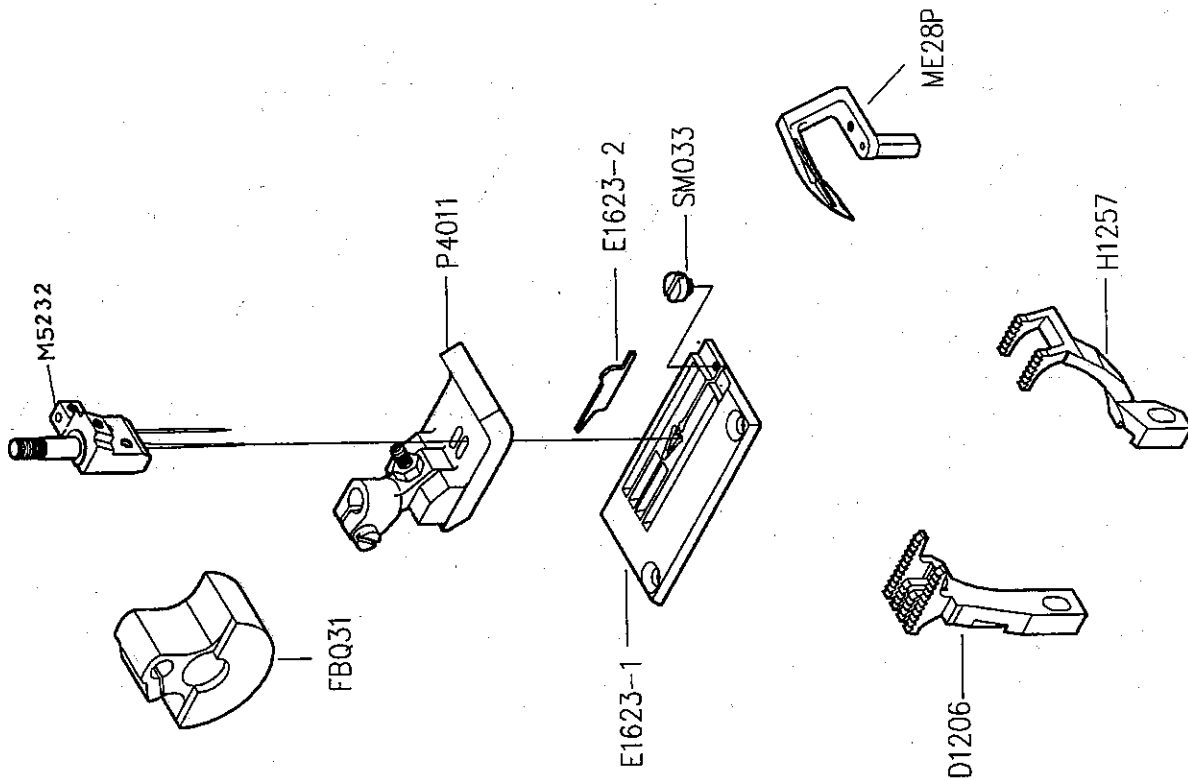
FHD

FOR COVERING WITH F007-W122 SYSTEM



PARTS LIST FOR FH GROUP

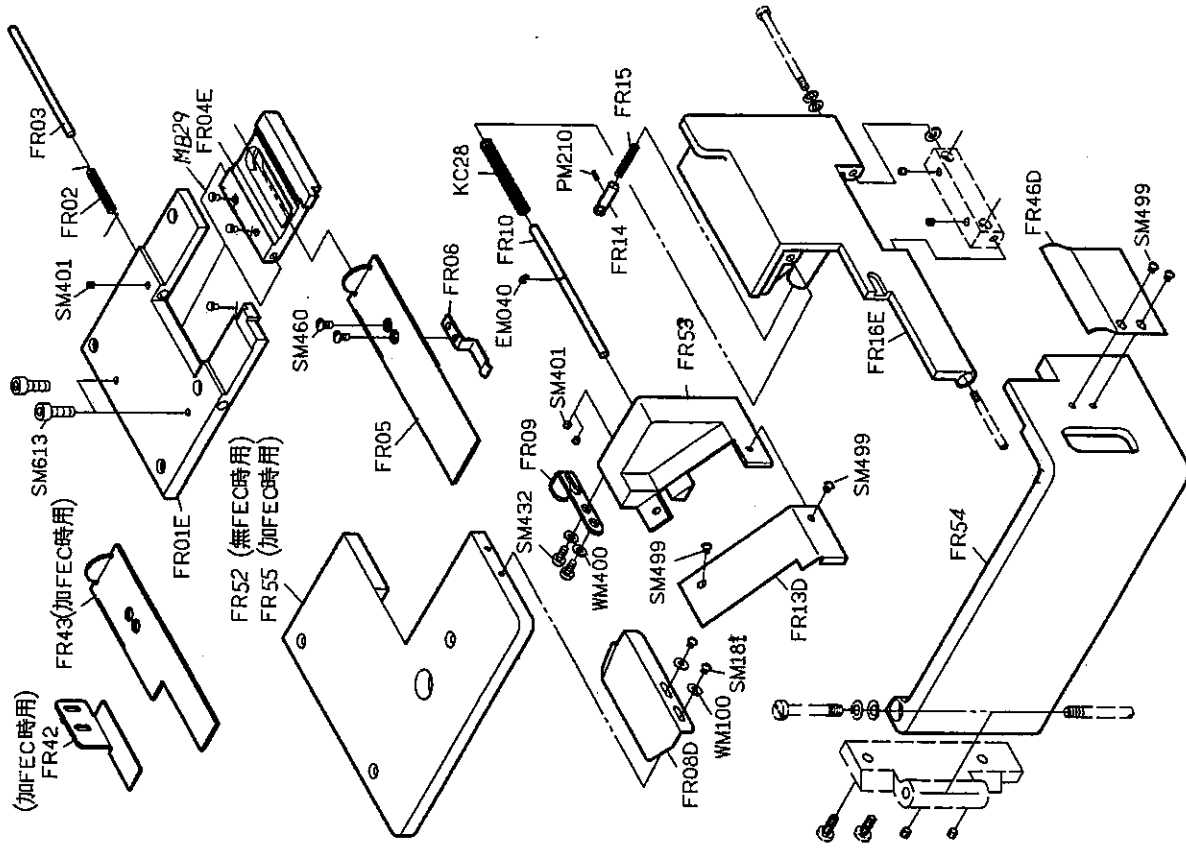




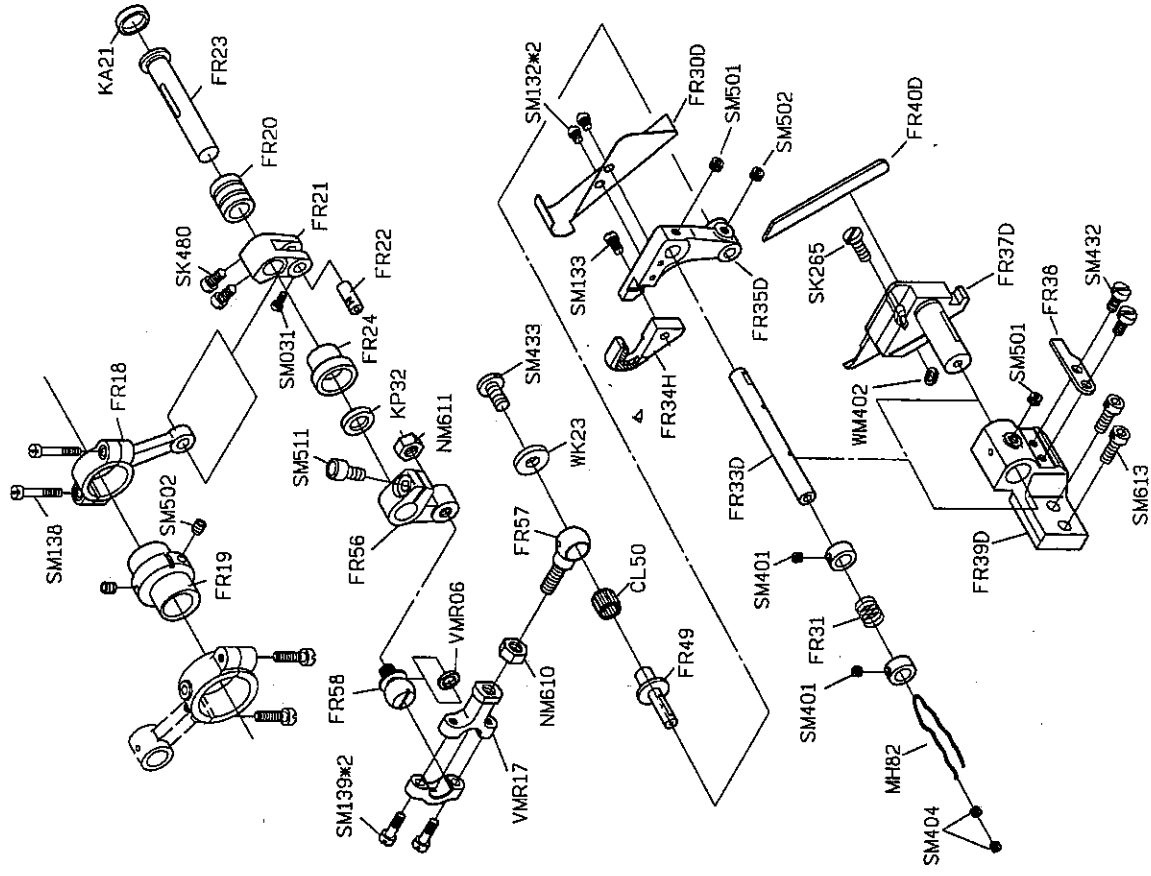
PARTS LIST FOR FP GROUP

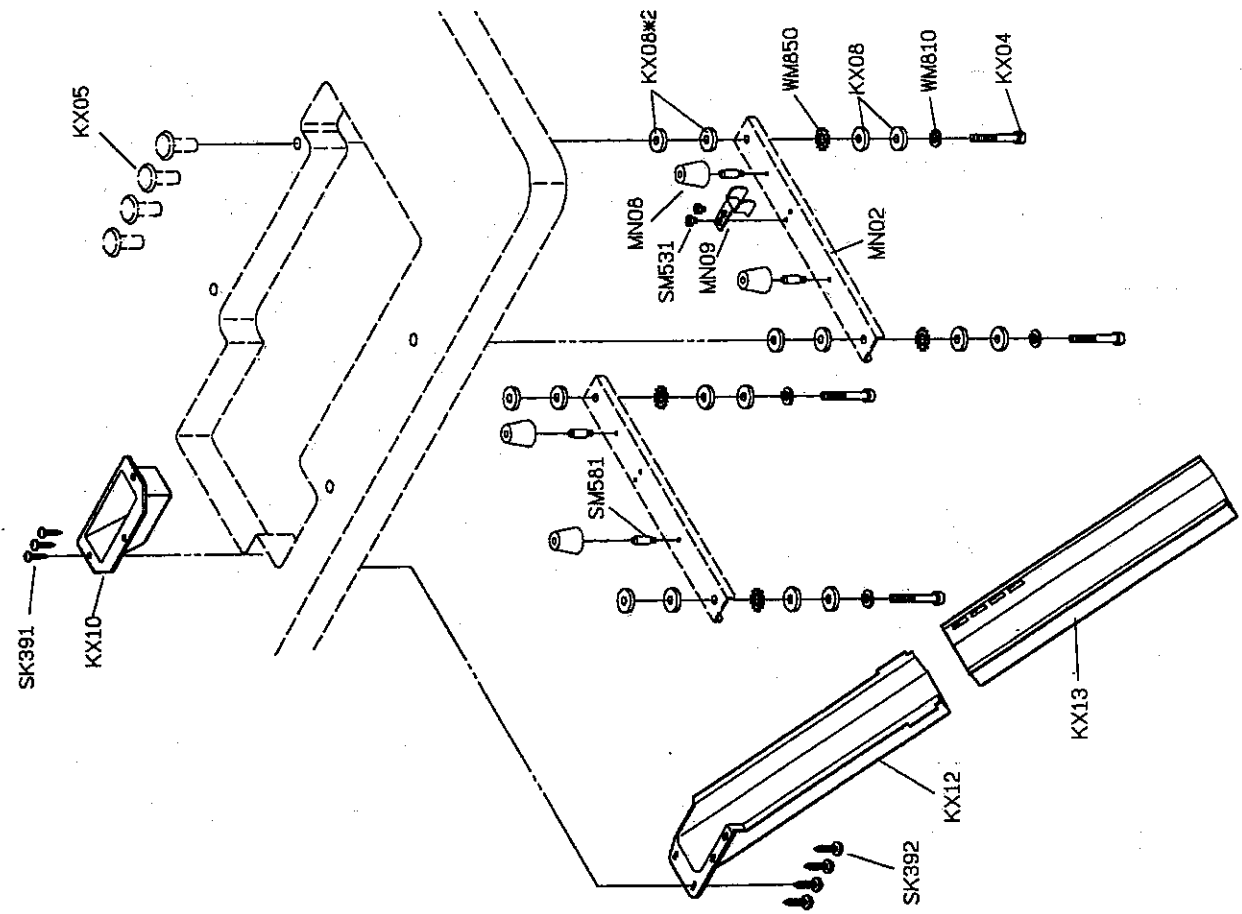
PARTS LIST FOR FQ GROUP

PARTS LIST FOR FRD(1) GROUP

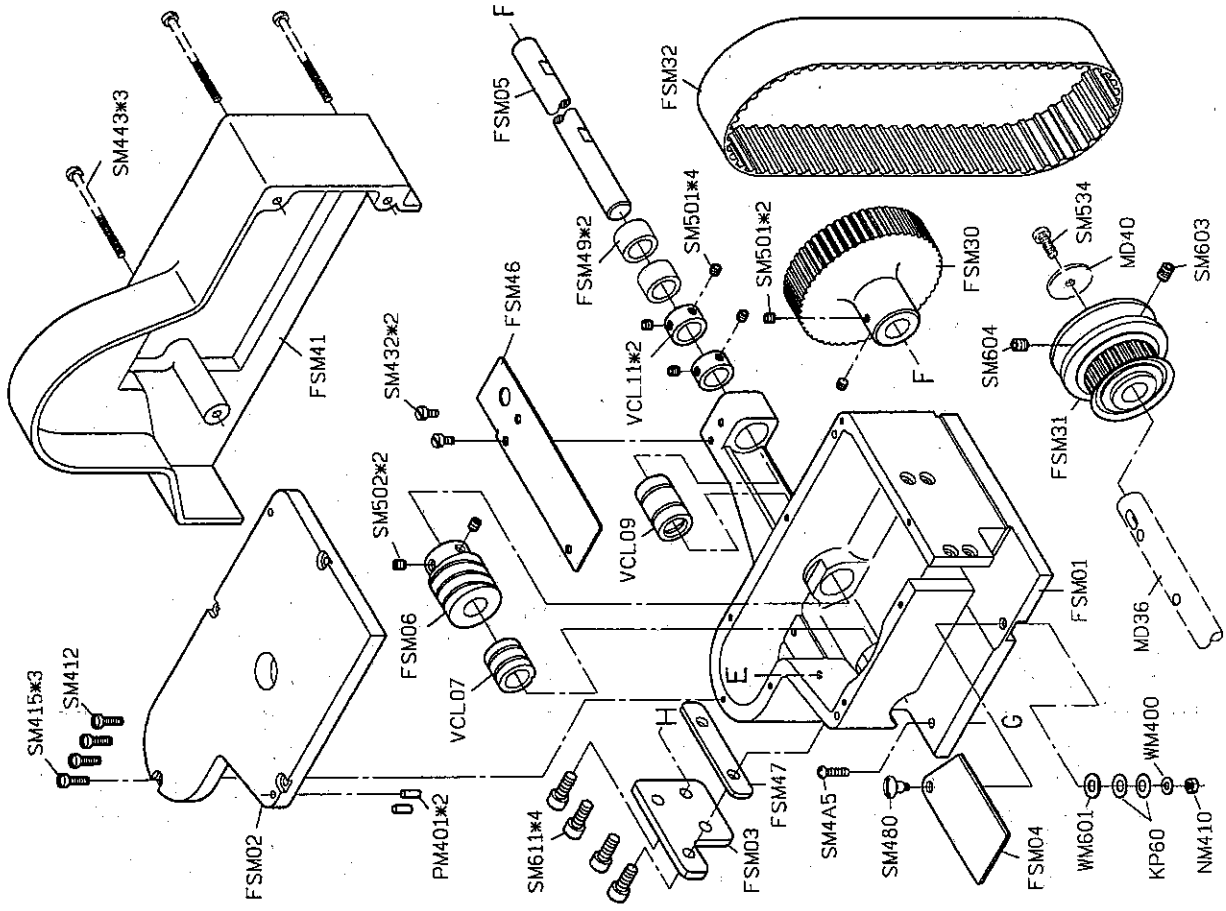


PARTS LIST FOR FRD (2) GROUP

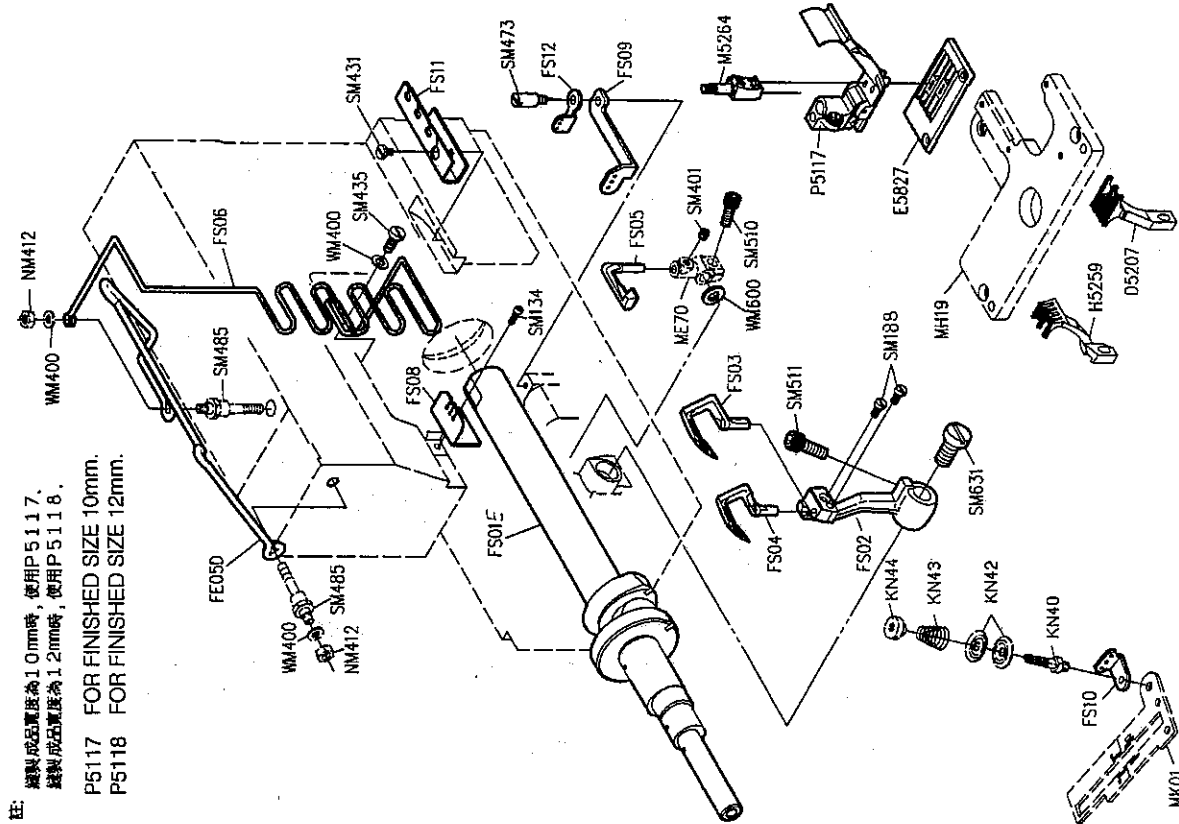




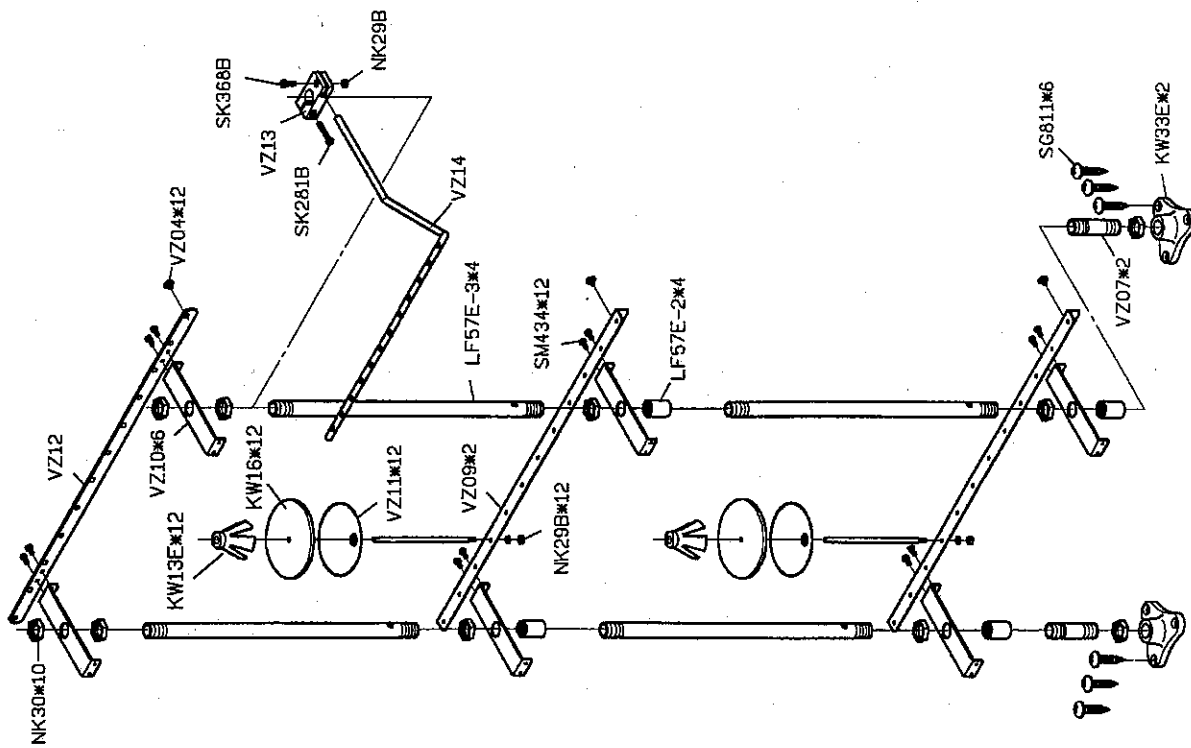
PARTS LIST FOR FRD(3) GROUP



PARTS LIST FOR FSM(1) GROUP



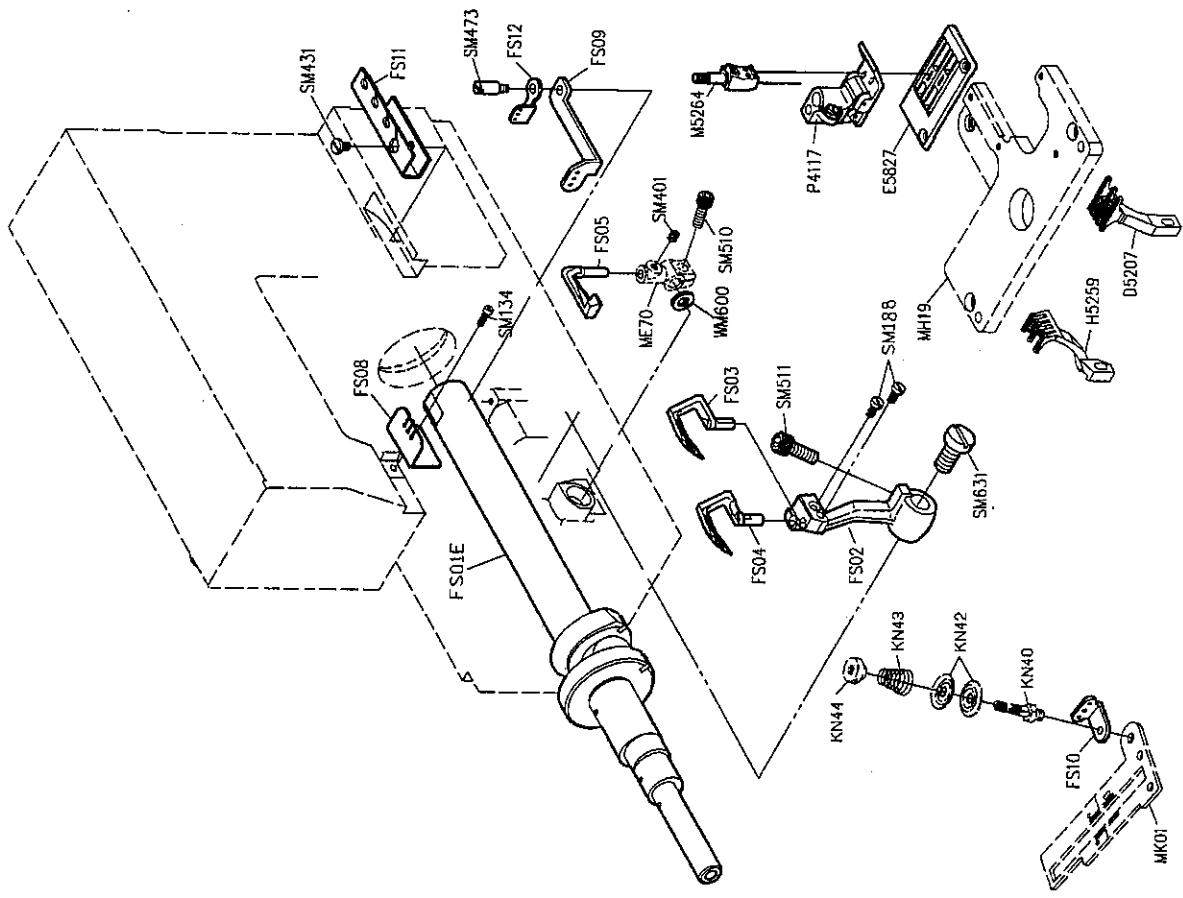
注：
 鑄製成品厚度為1.0mm時，使用P5117。
 鑄製成品厚度為1.2mm時，使用P5118。
 P5117 FOR FINISHED SIZE 10mm.
 P5118 FOR FINISHED SIZE 12mm.



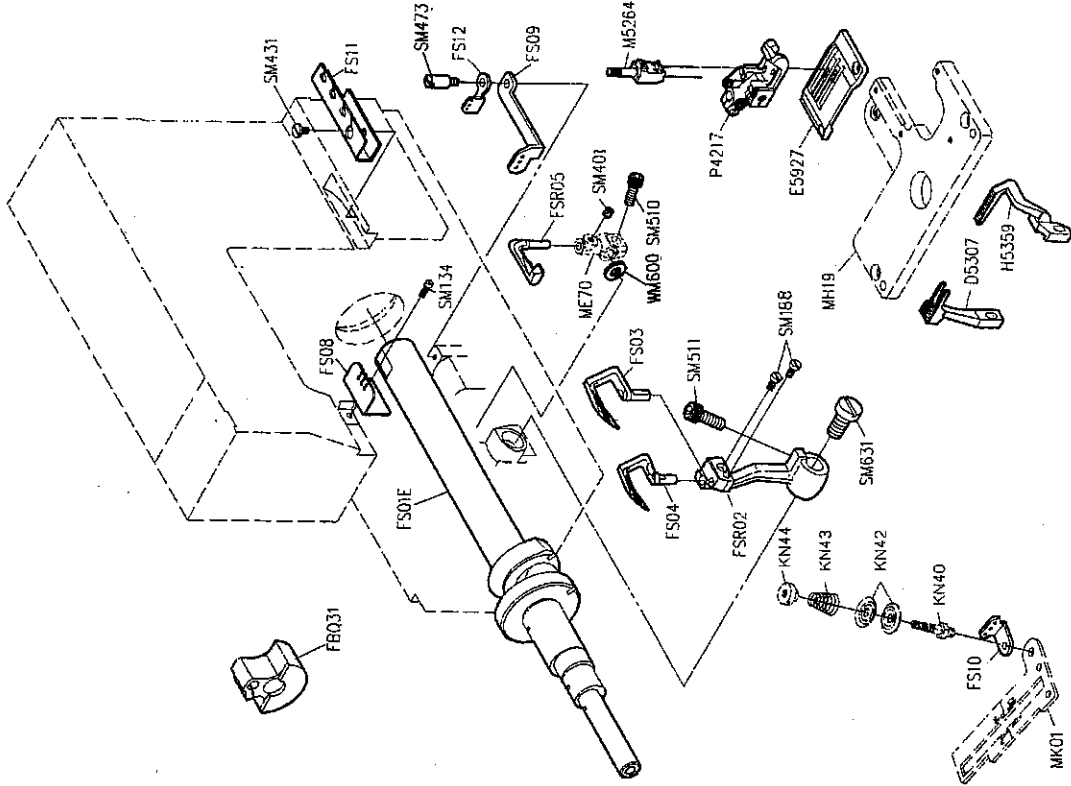
PARTS LIST FOR FSP GROUP

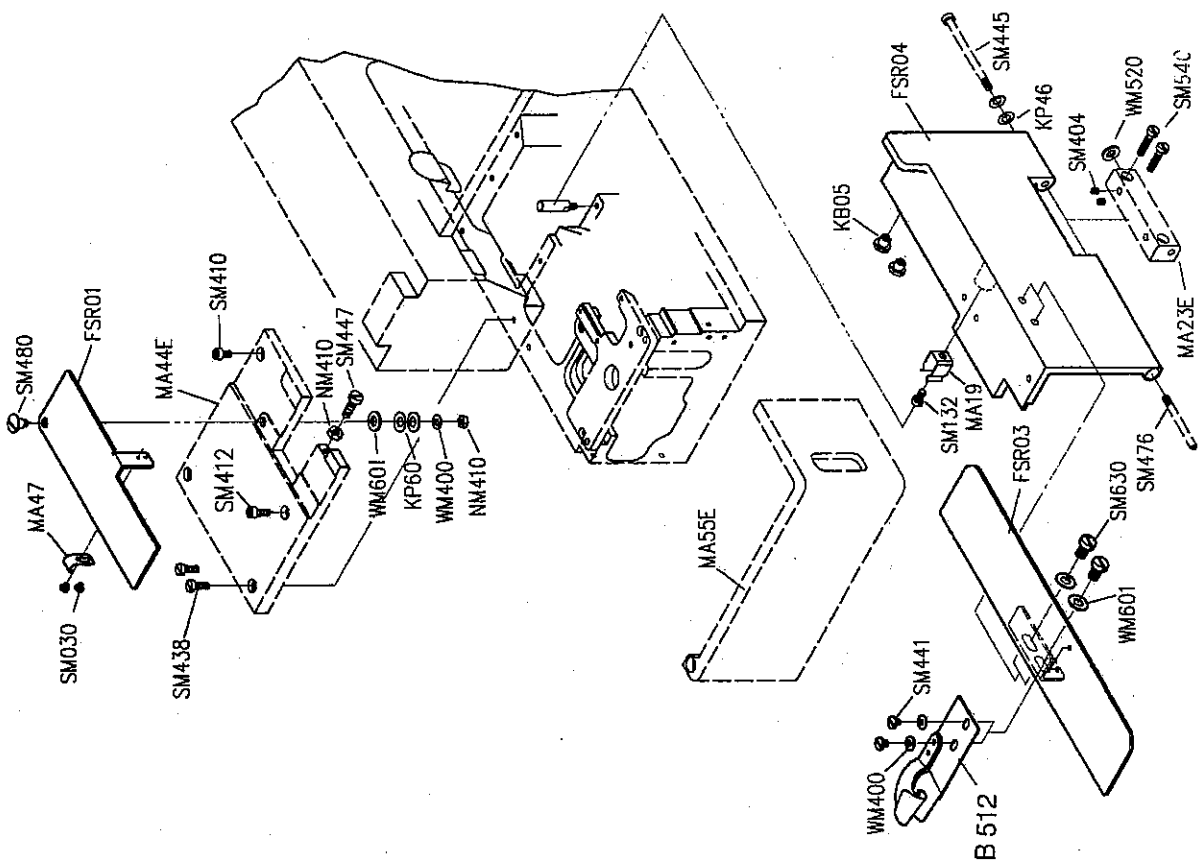
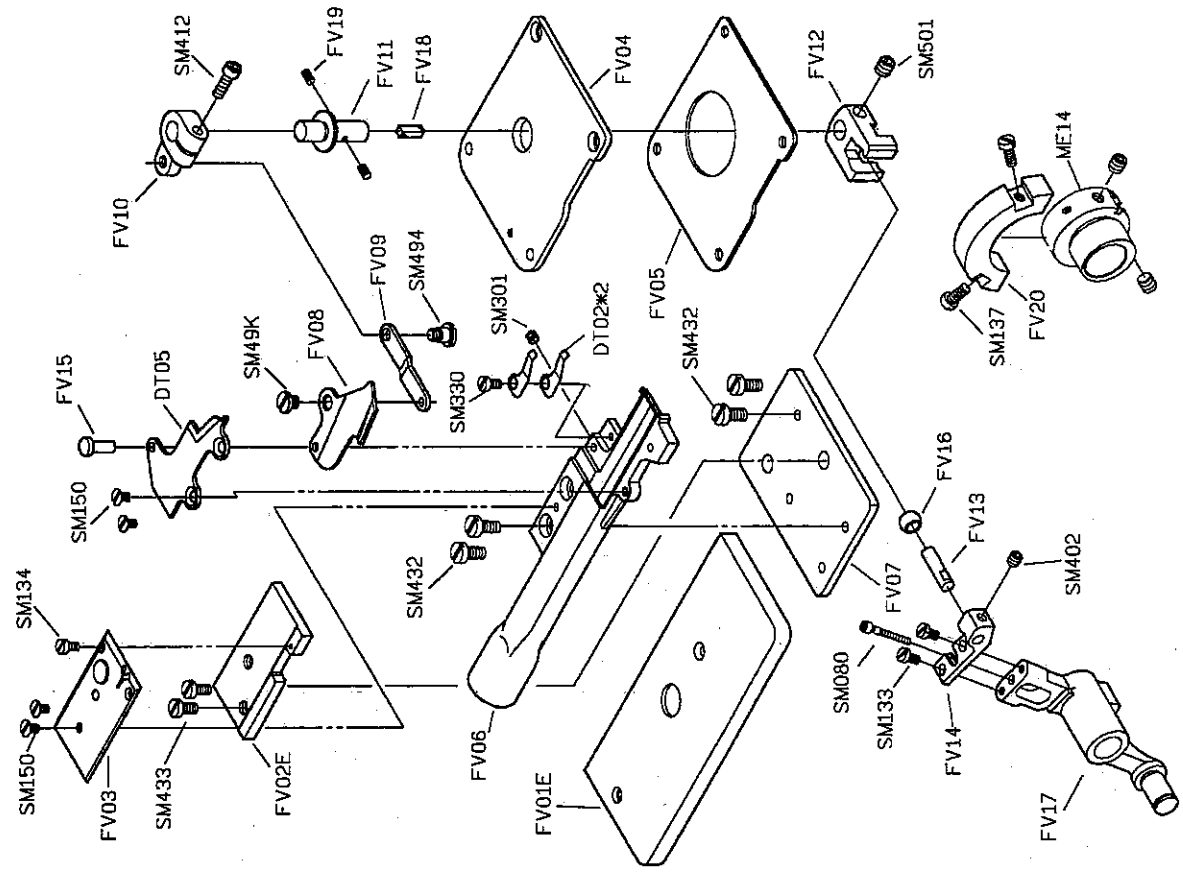
PARTS LIST FOR FSM(4) GROUP

PARTS LIST FOR FSQ GROUP



PARTS LIST FOR FSR(1) GROUP

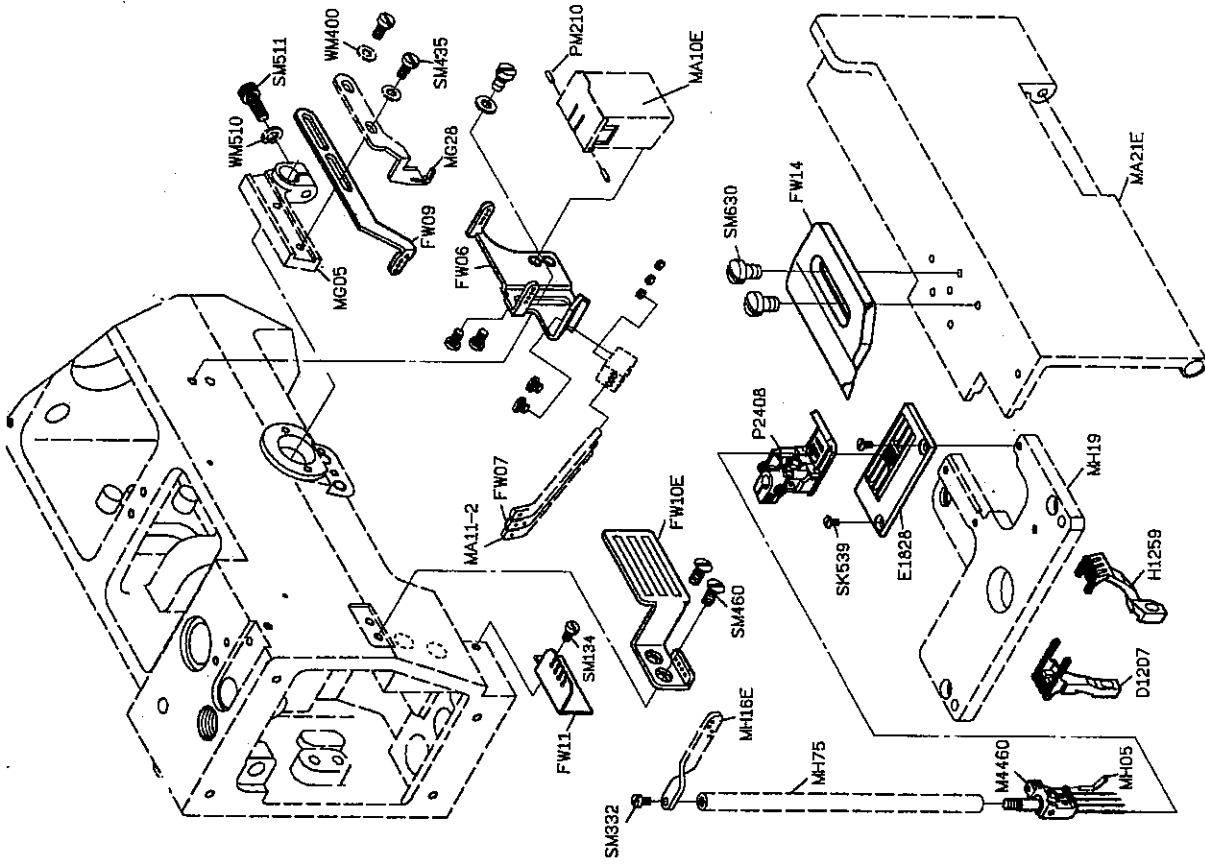




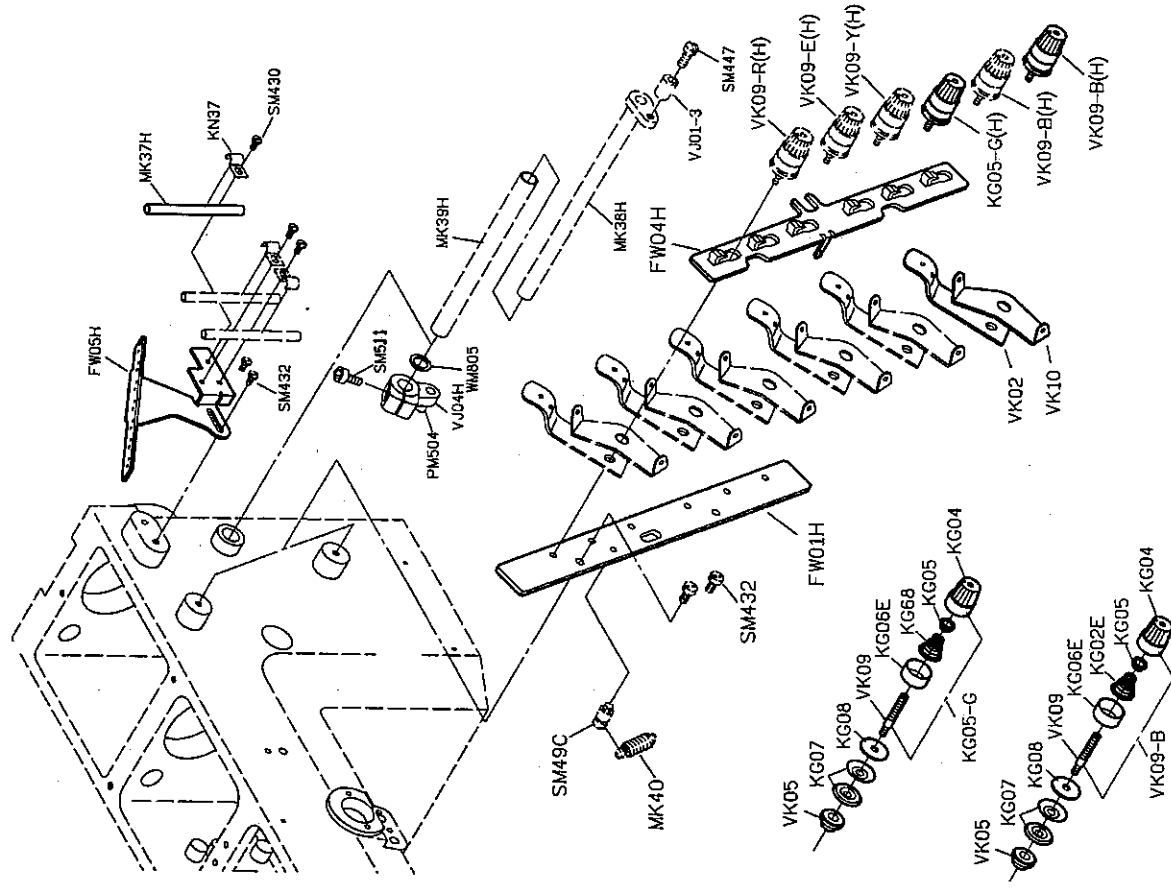
PARTS LIST FOR FV GROUP

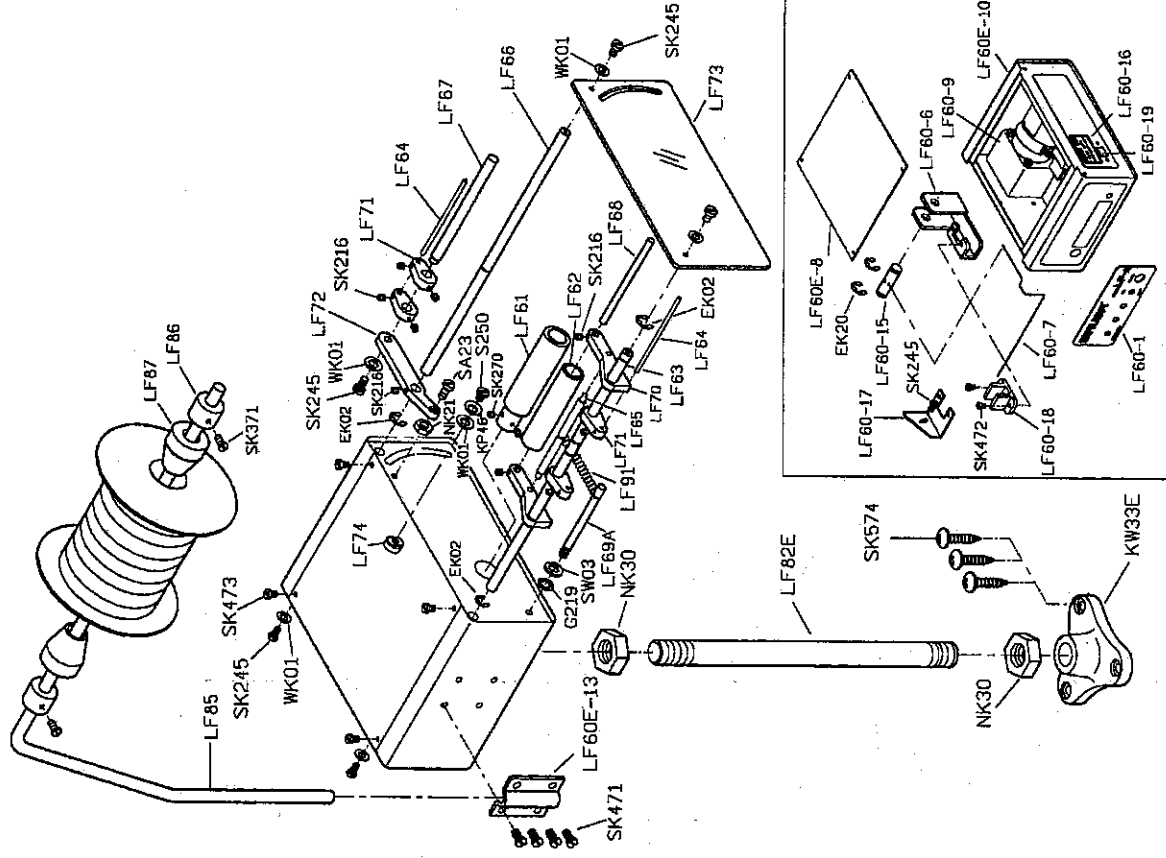
PARTS LIST FOR FSR(2) GROUP

PARTS LIST FOR FW/FWP(1) GROUP - 4 Needles

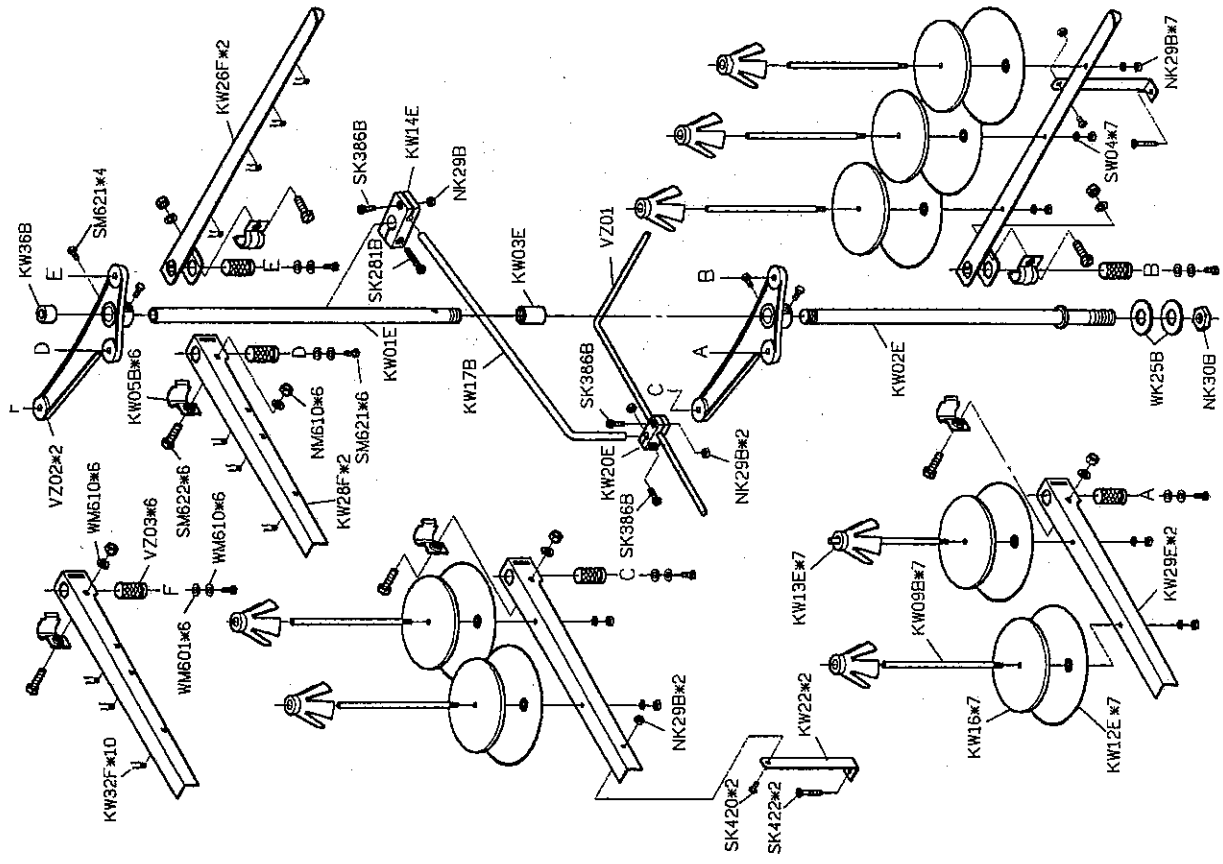


PARTS LIST FOR FW(2) GROUP - 4 Needles



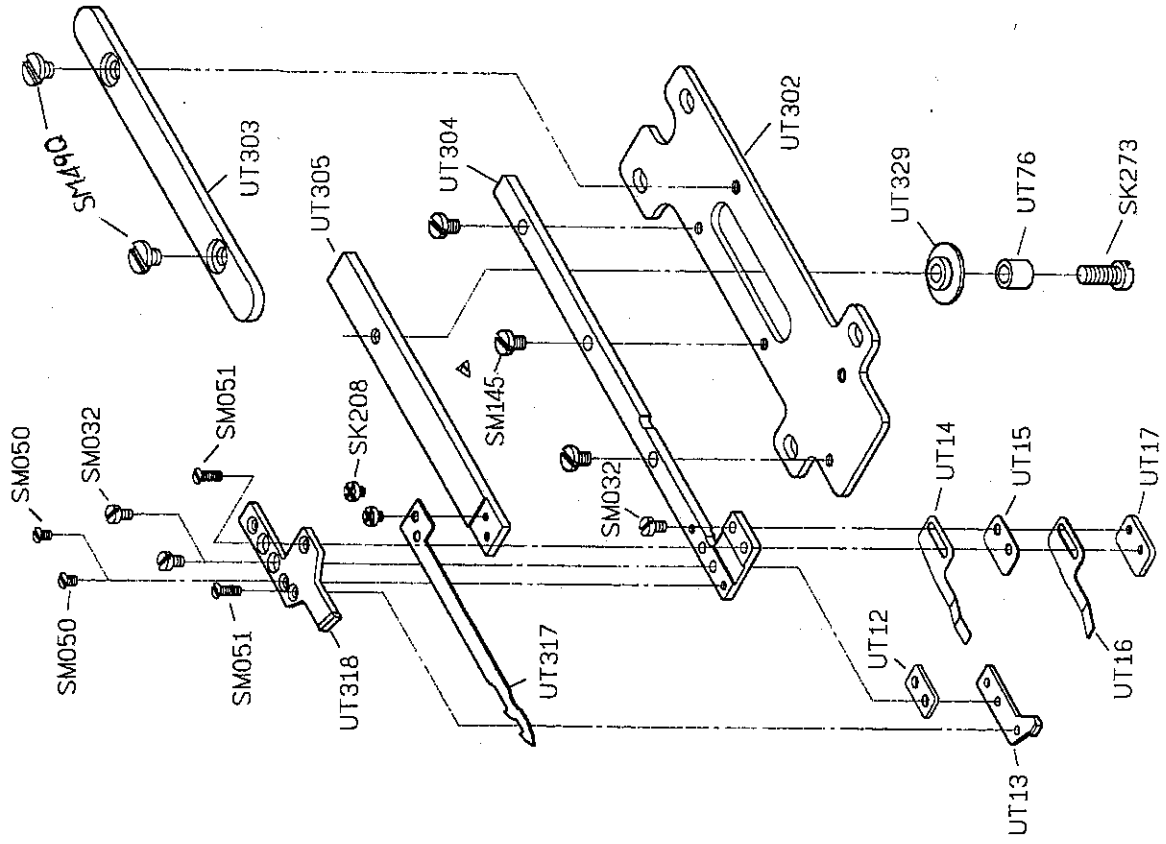


PARTS LIST FOR LF-A GROUP

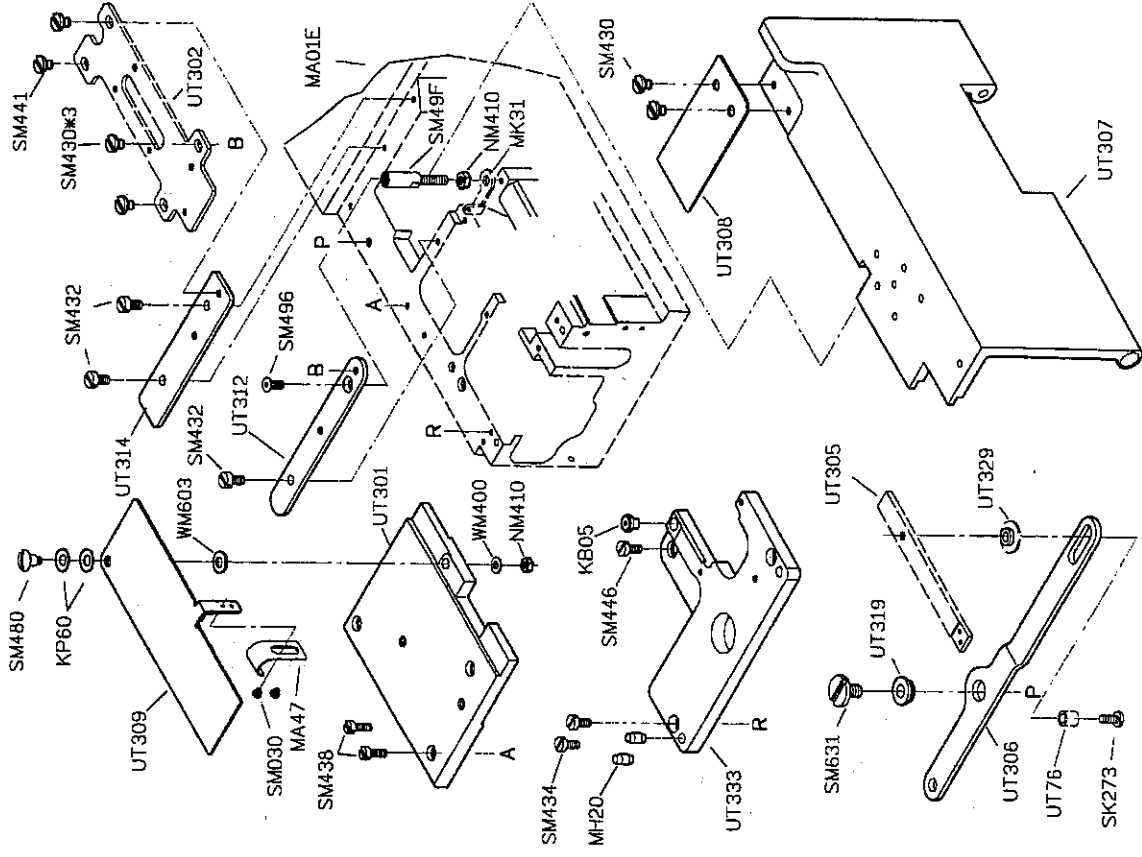


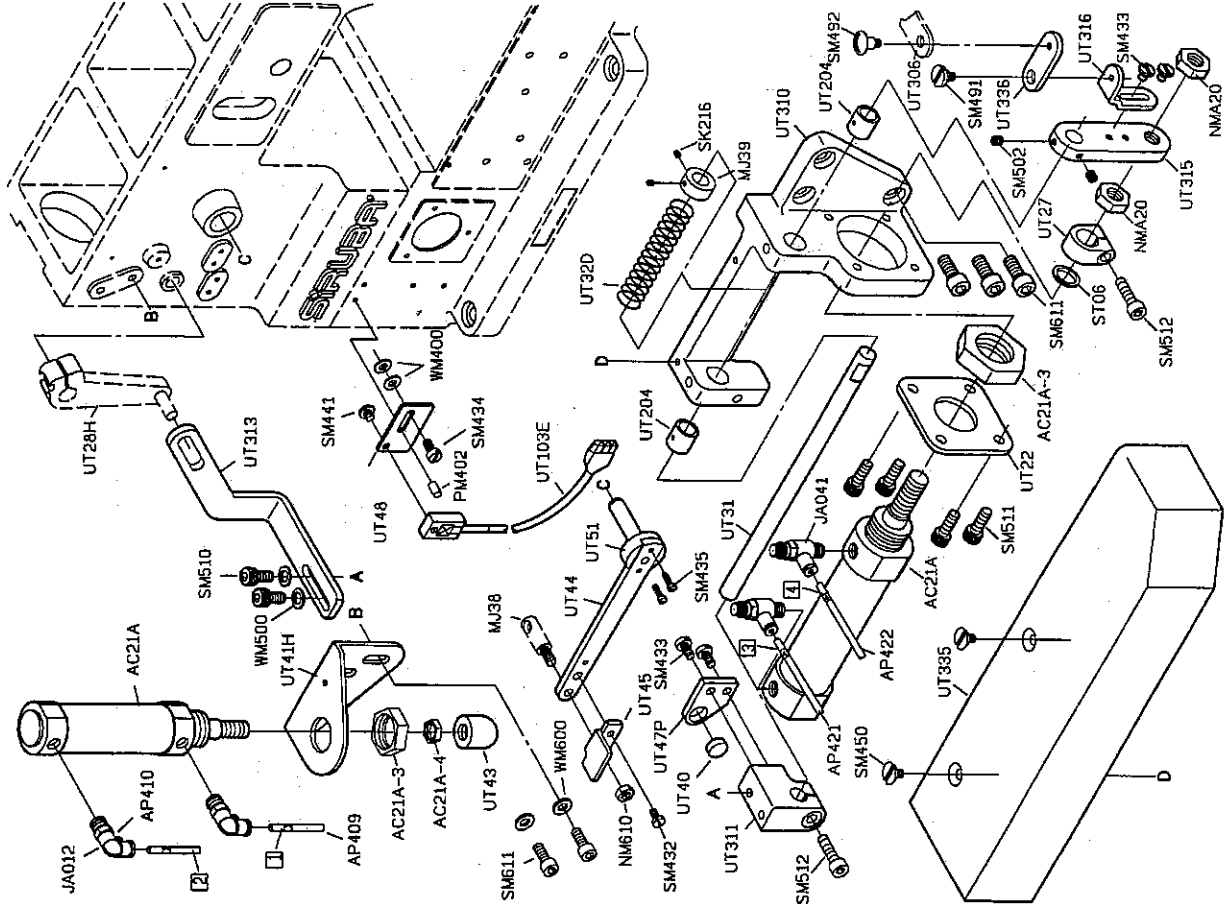
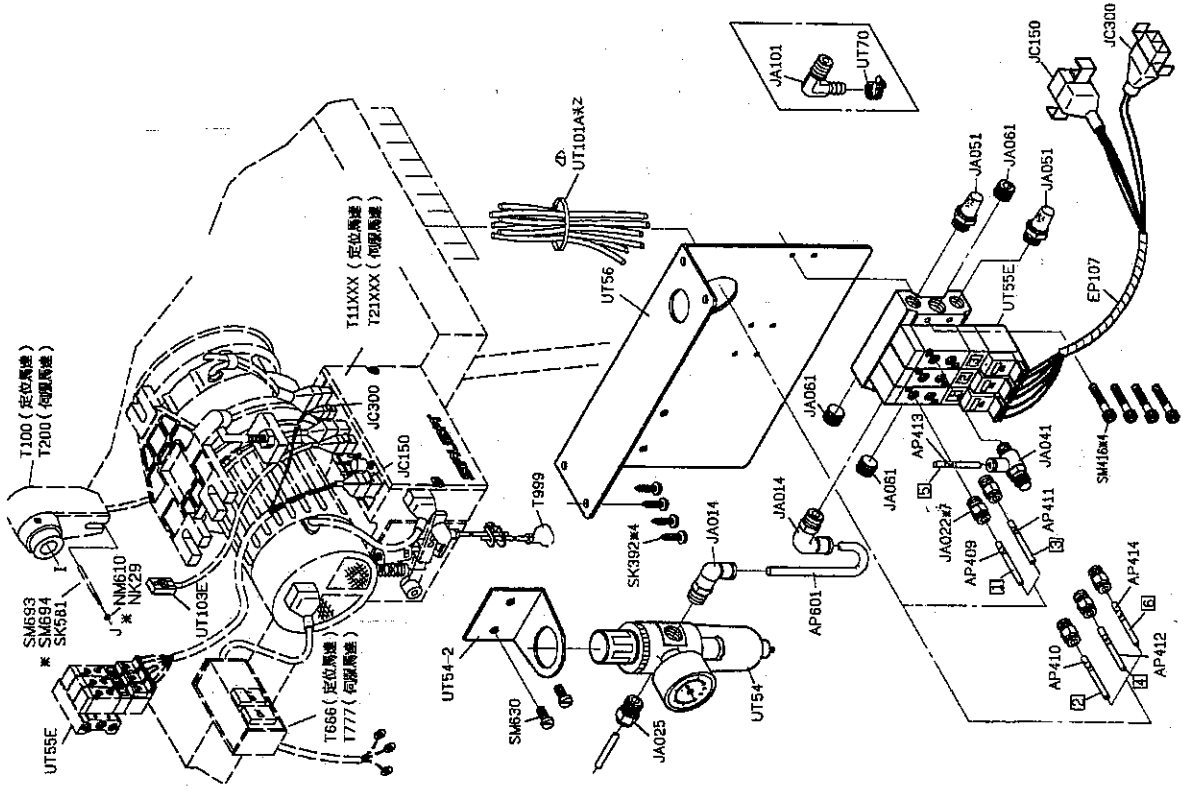
PARTS LIST FOR FY(3) GROUP

PARTS LIST FOR UTG/UTH(1) GROUP



PARTS LIST FOR UTG/UTH(2) GROUP

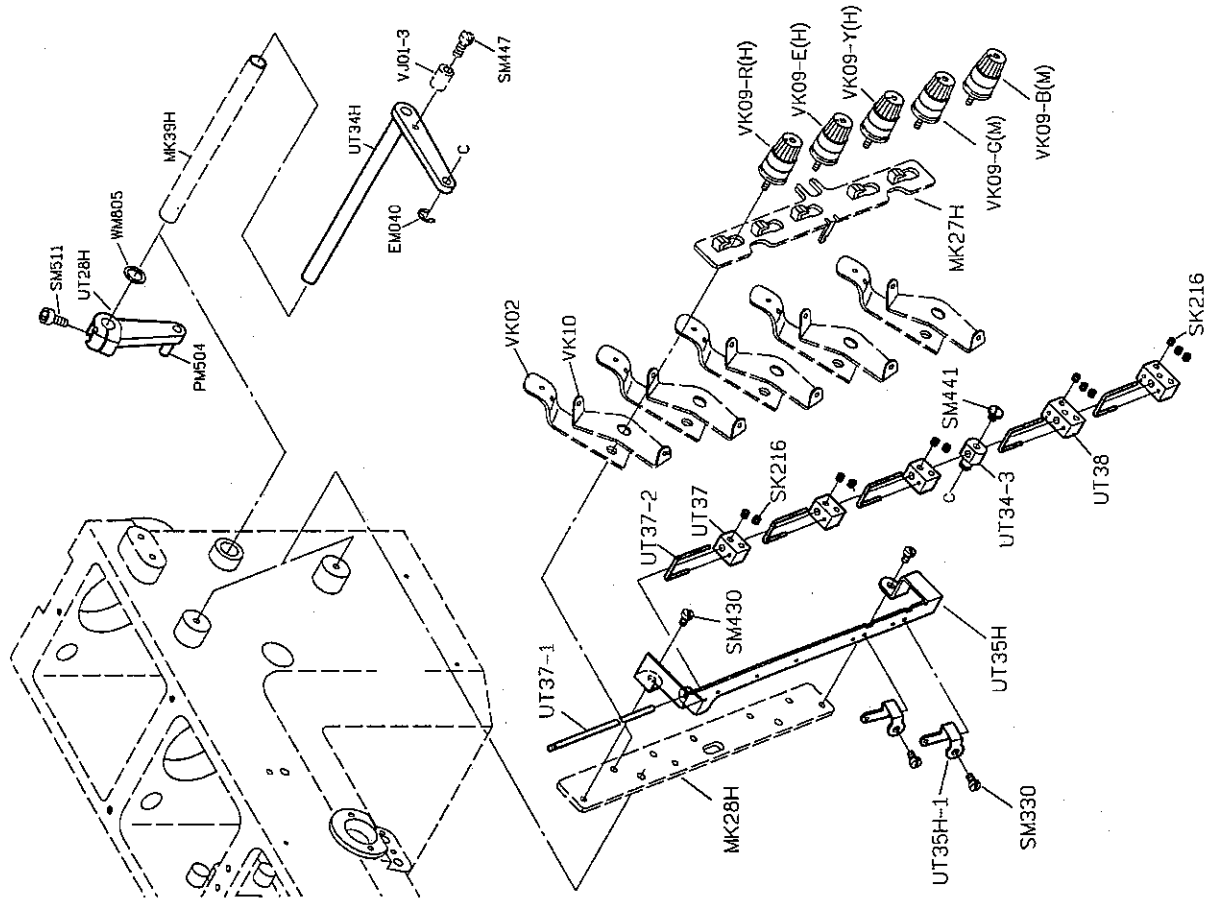




PARTS LIST FOR UTG/UTH(3) GROUP

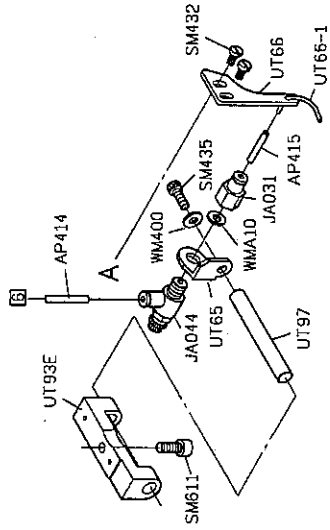
PARTS LIST FOR UTG/UTH(4) GROUP

PARTS LIST FOR UTG/UTH(5) GROUP

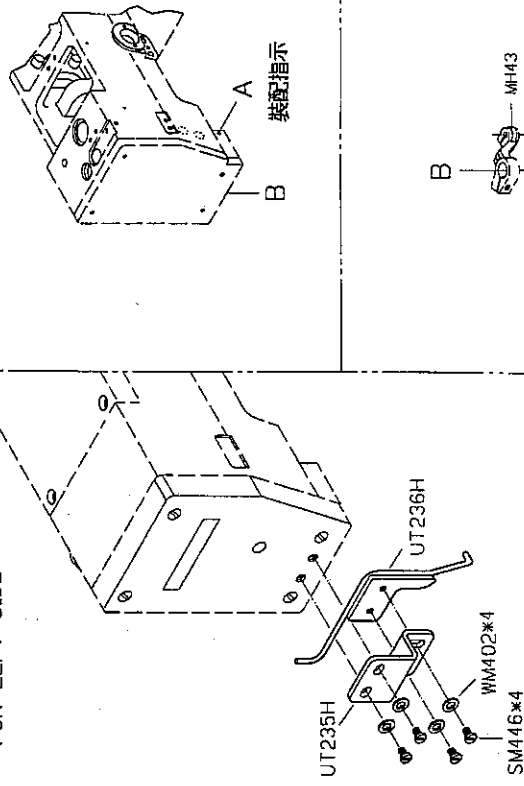


PARTS LIST FOR UTG/UTH(6) GROUP

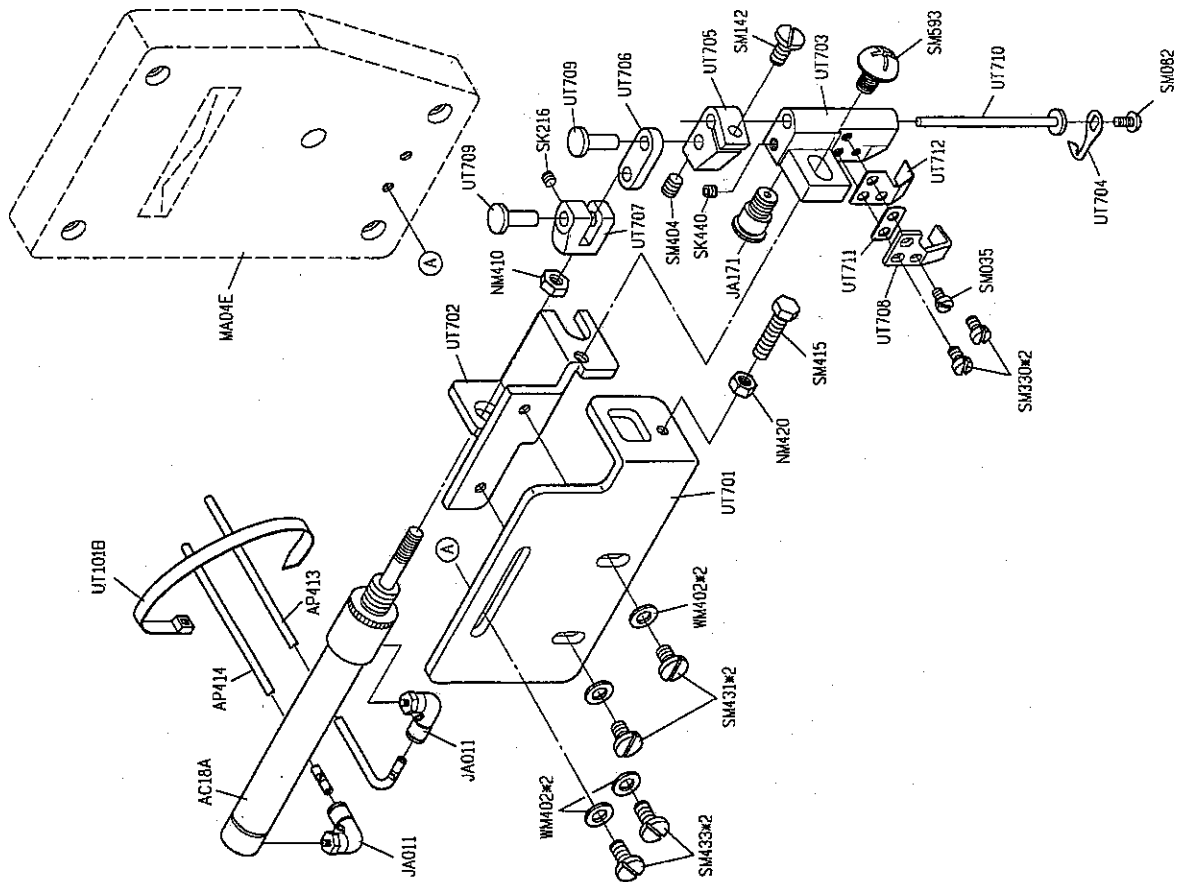
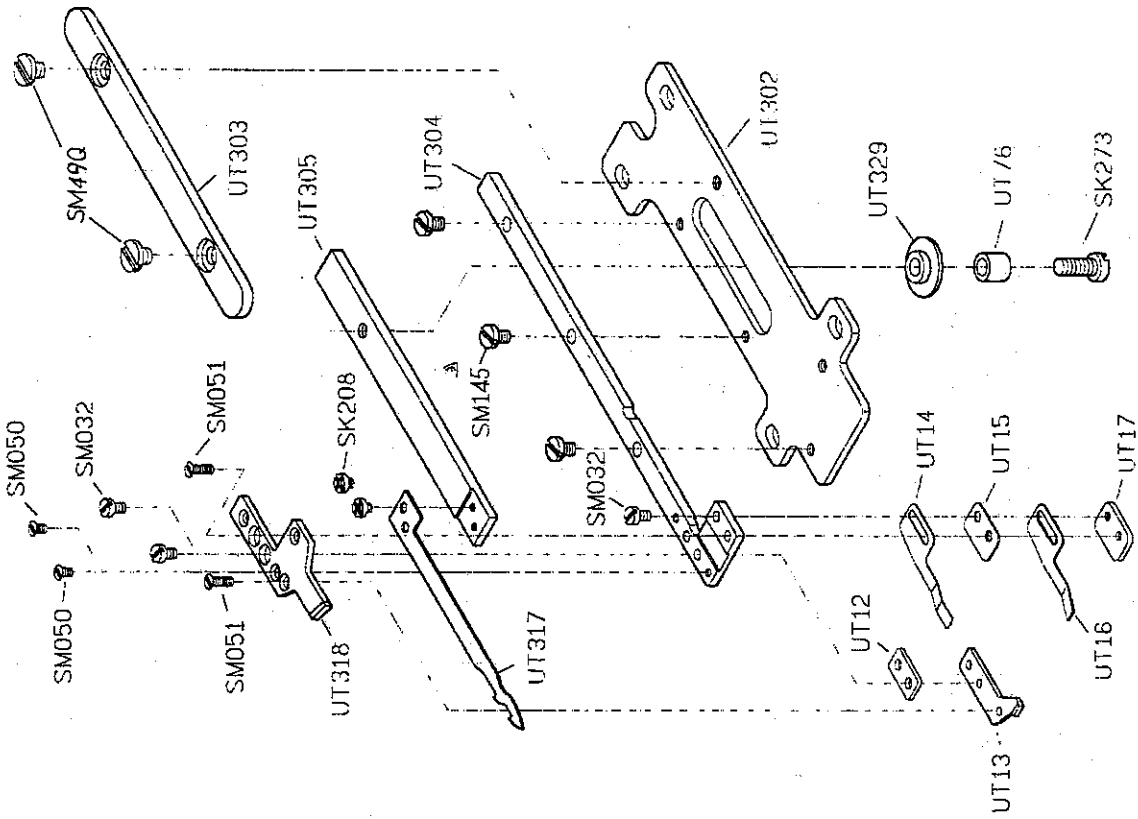
UTH 系列
FOR RIGHT SIDE



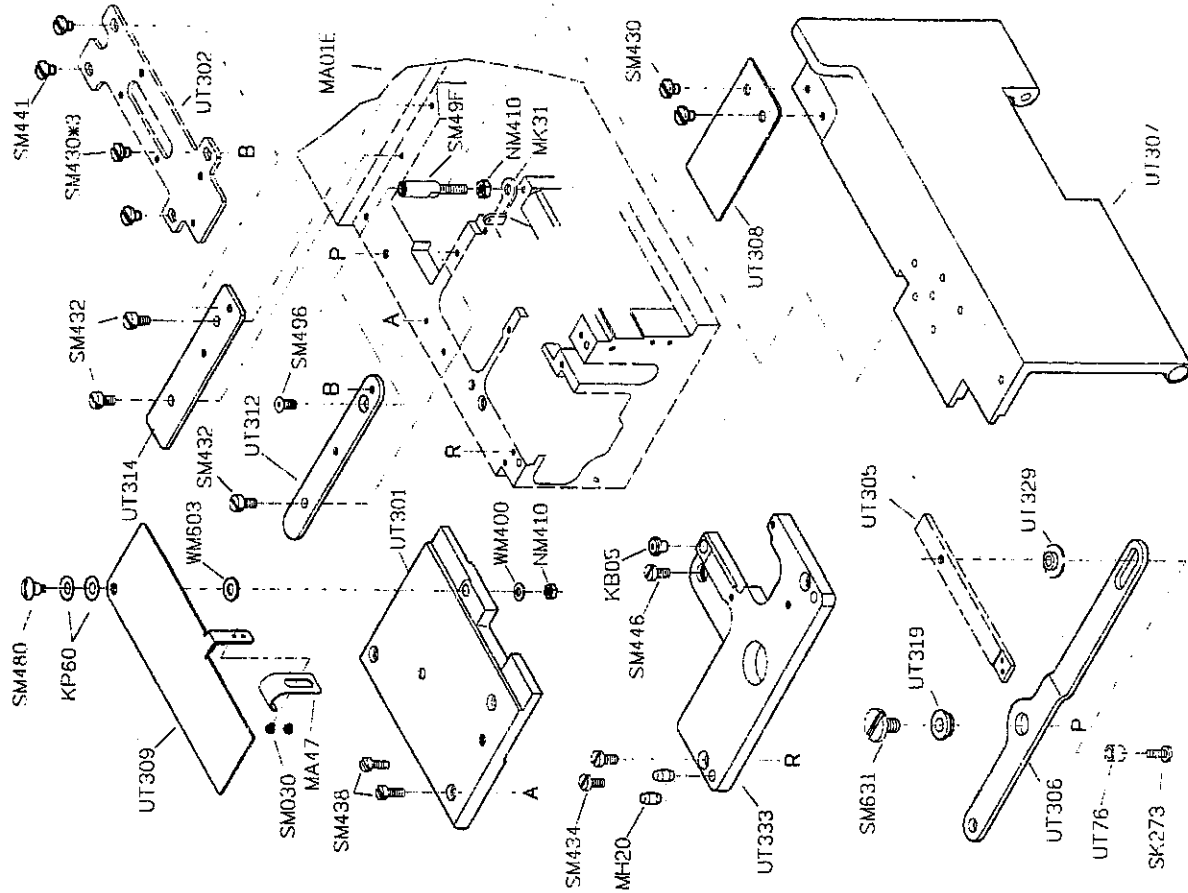
UTH 系列
FOR LEFT SIDE



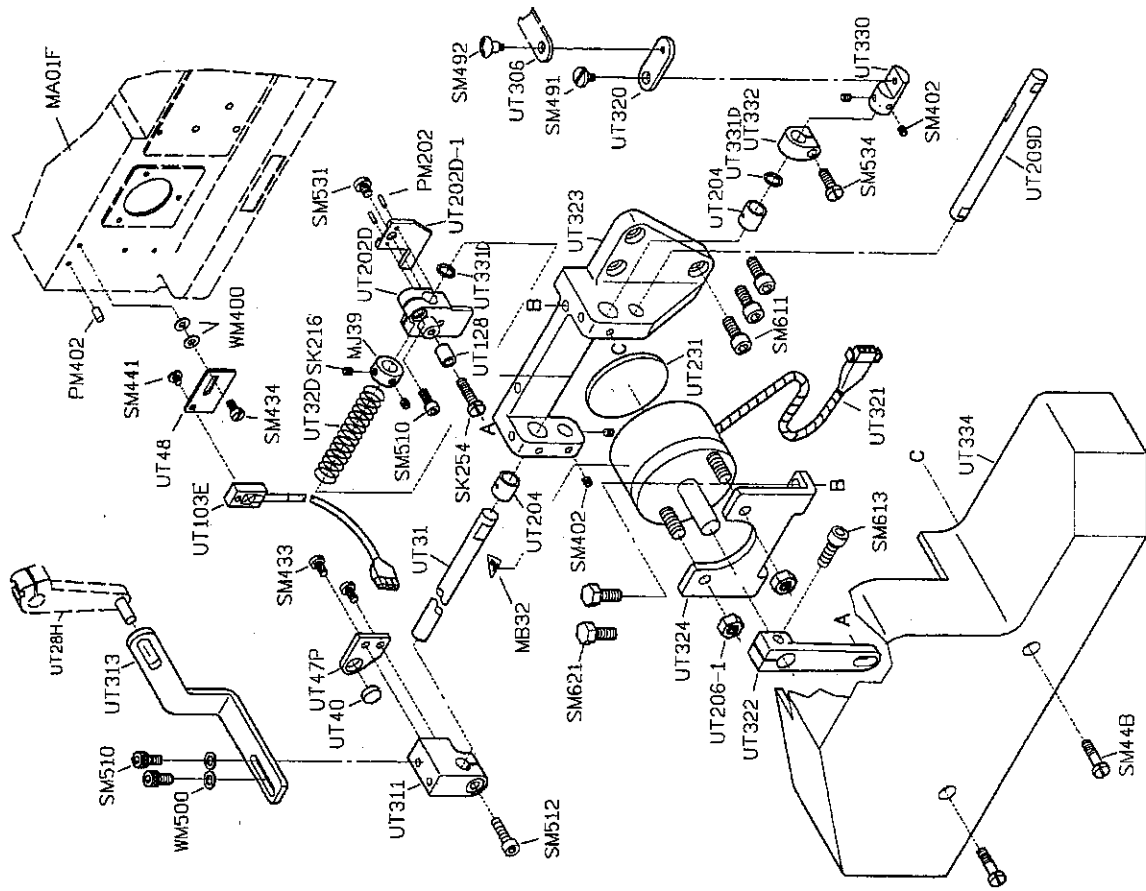
UTG 系列

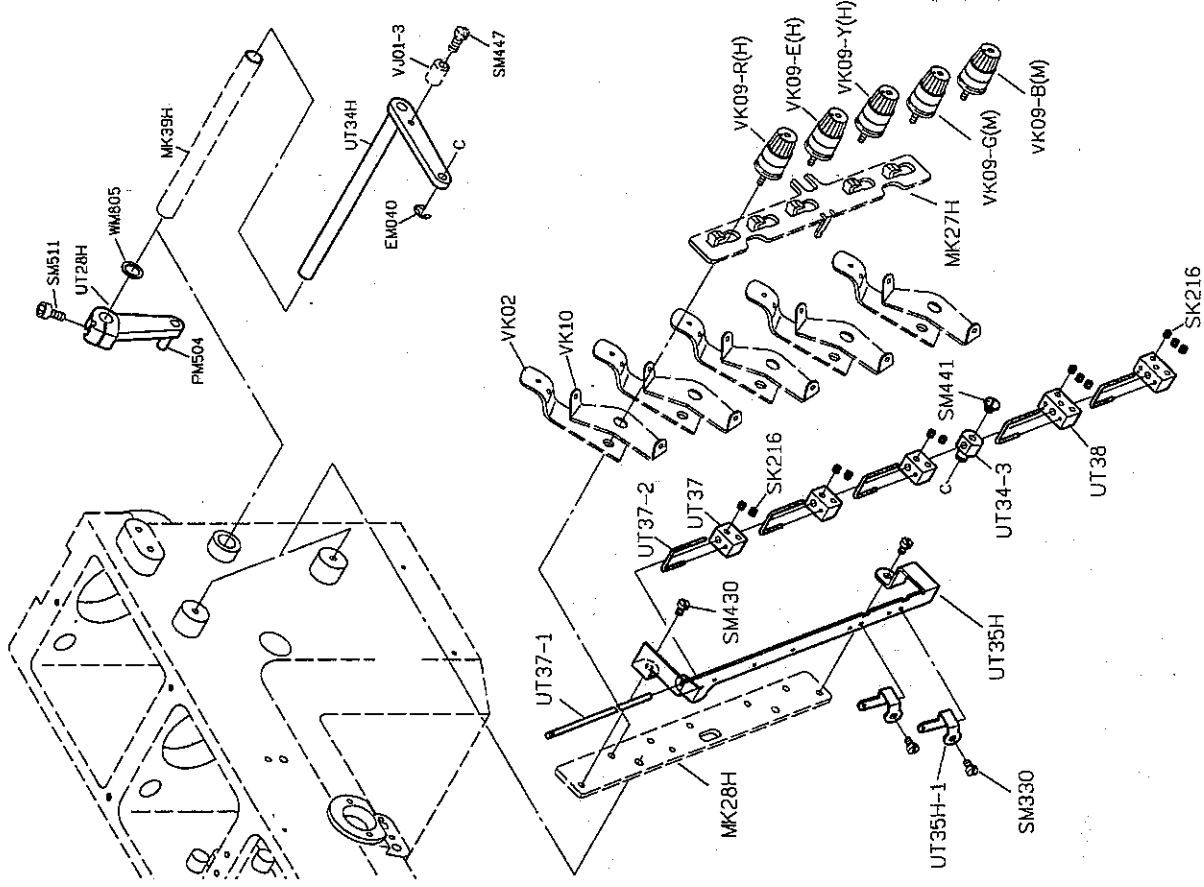
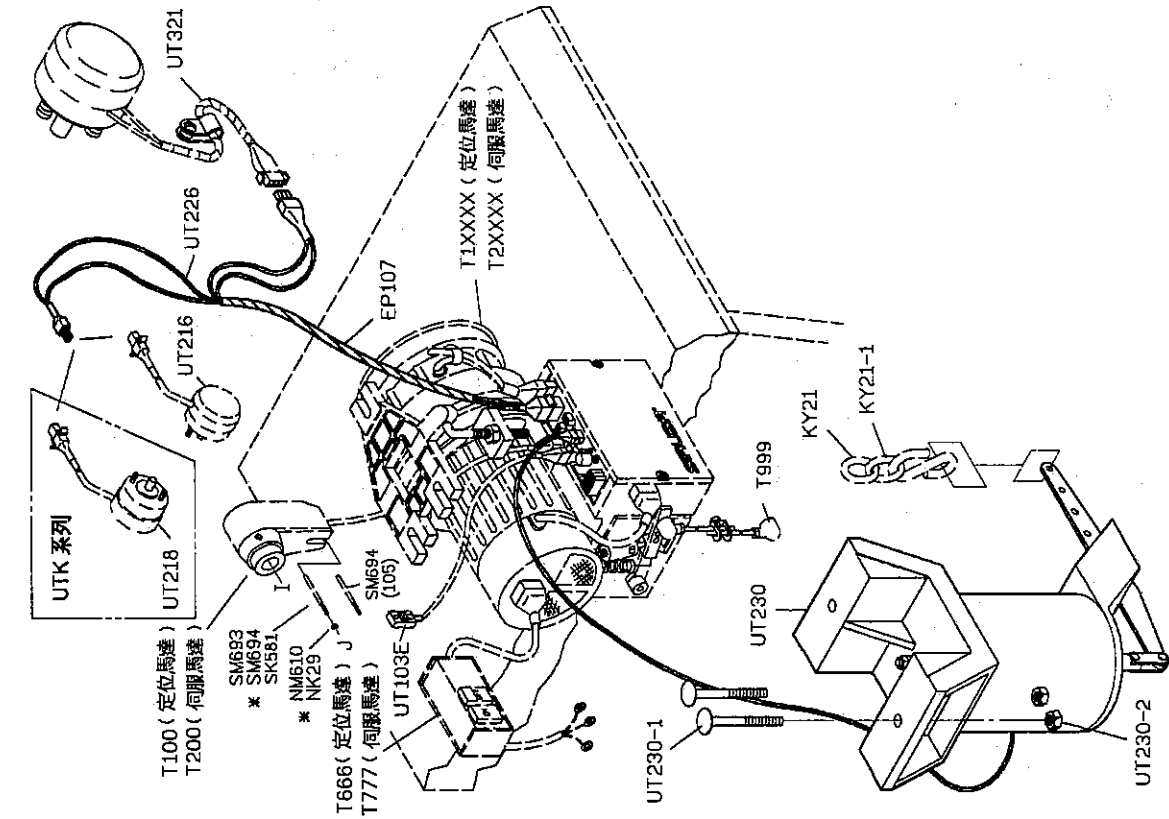


PARTS LIST FOR UTJ/UTK(2) GROUP



PARTS LIST FOR UTJ/UTK(3) GROUP



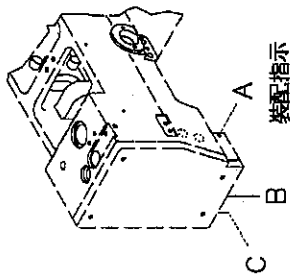


PARTS LIST FOR UTJ/UTK(4) GROUP

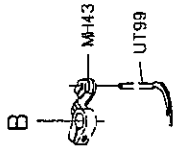
PARTS LIST FOR UTJ/UTK(5) GROUP

PARTS LIST FOR UTJ/UTK(6) GROUP

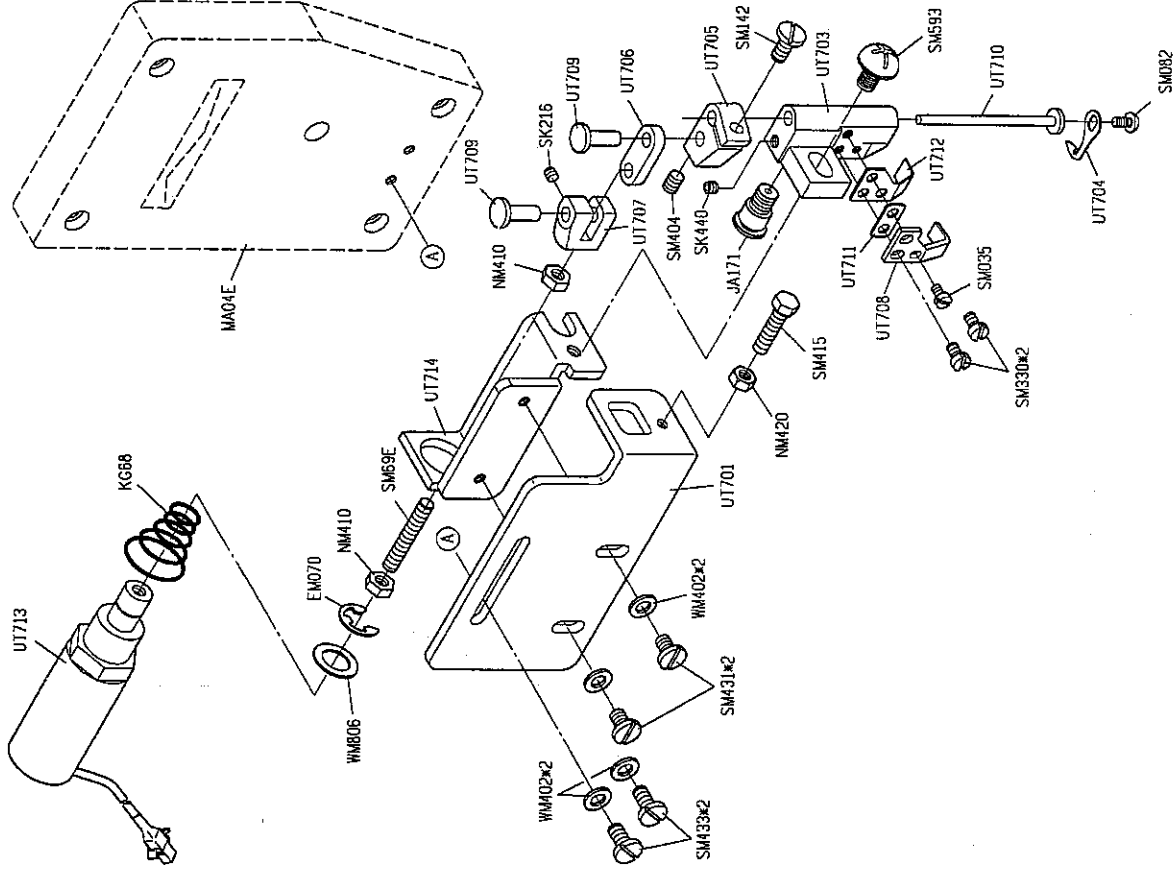
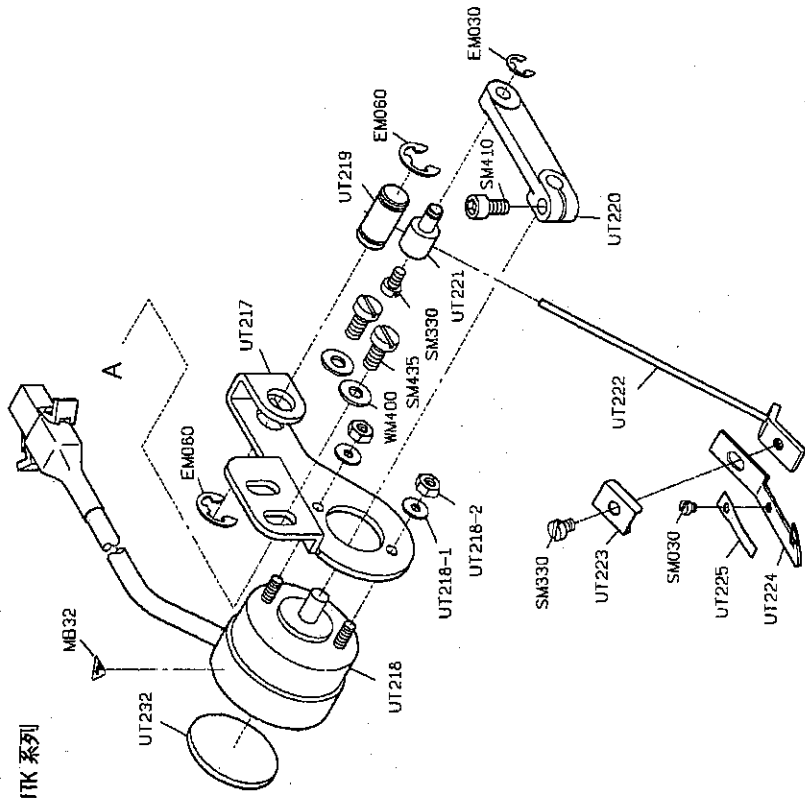
PARTS LIST FOR UTJ(7) GROUP



UT J 系列



UTK 系列





F007_H

高林股份有限公司 KAULIN MFG. CO., LTD.

MY37H. OCT. 2000