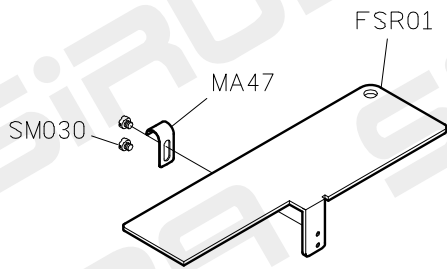
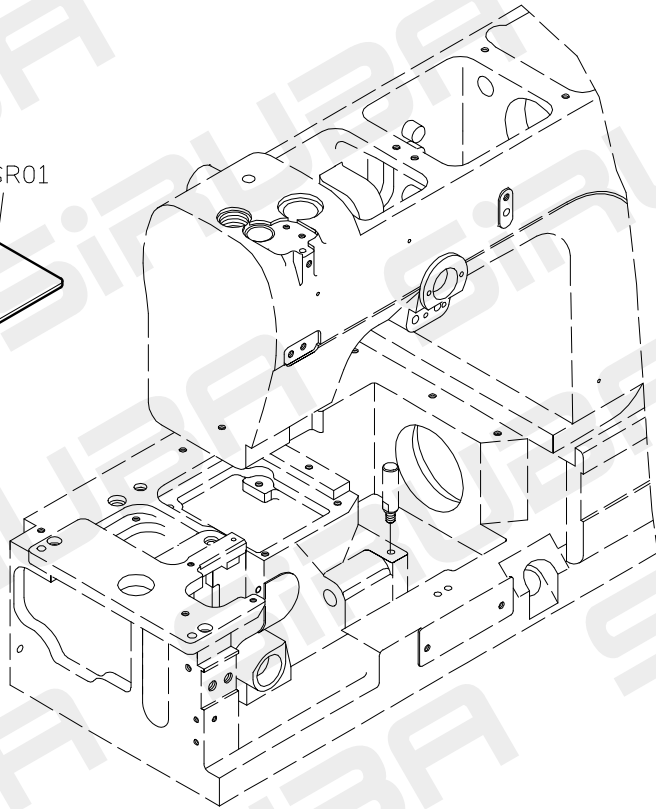


F007JD PARTS LIST FOR FBP GROUP P.1/1

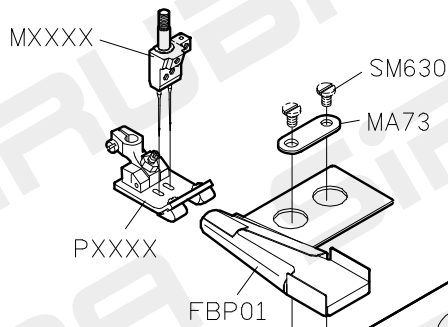
A



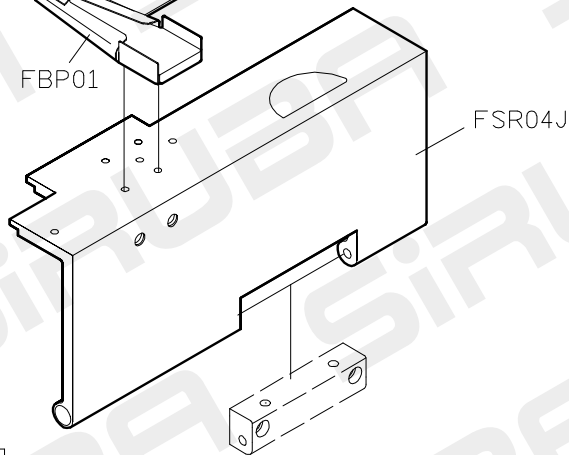
B



C



D



E

針距	成品尺寸	喇叭代號
5.6	9 (mm)	FBP01A
5.6	10	FBP01B
6.4	12	FBP01C

F007JD PARTS LIST FOR FDC GROUP P.1/1

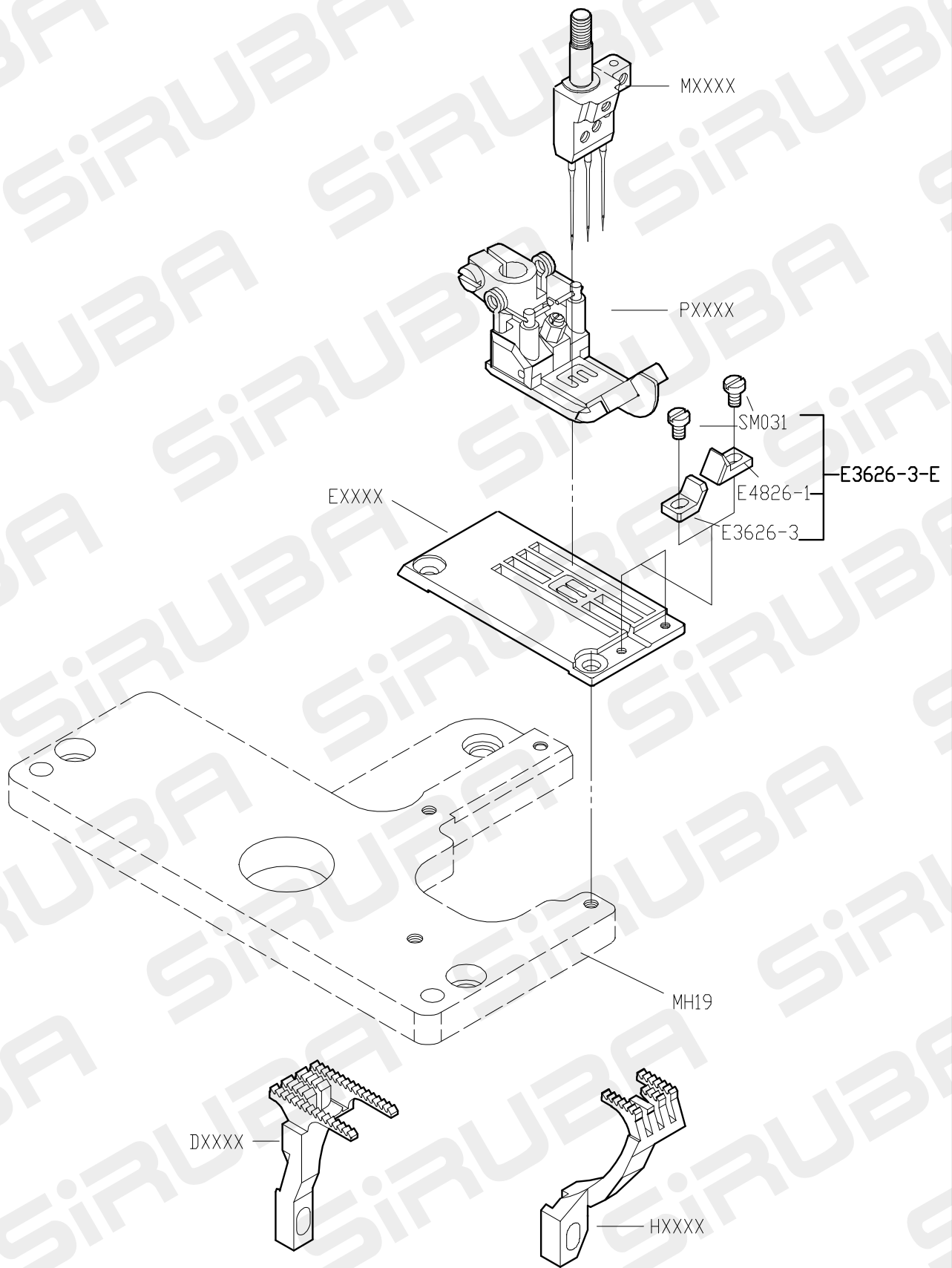
A

B

C

D

E



F007JD PARTS LIST FOR FDE GROUP P.1/1

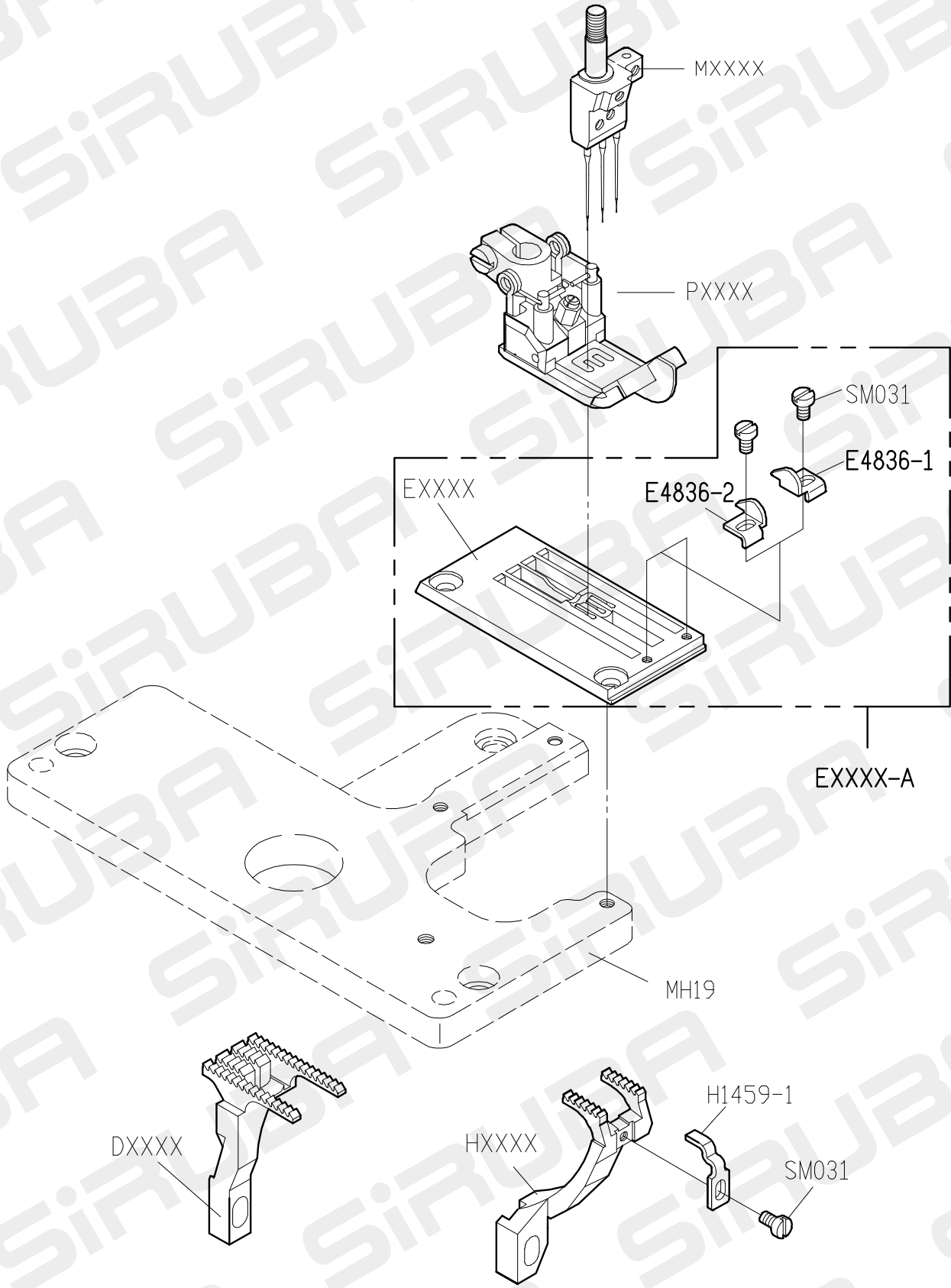
A

B

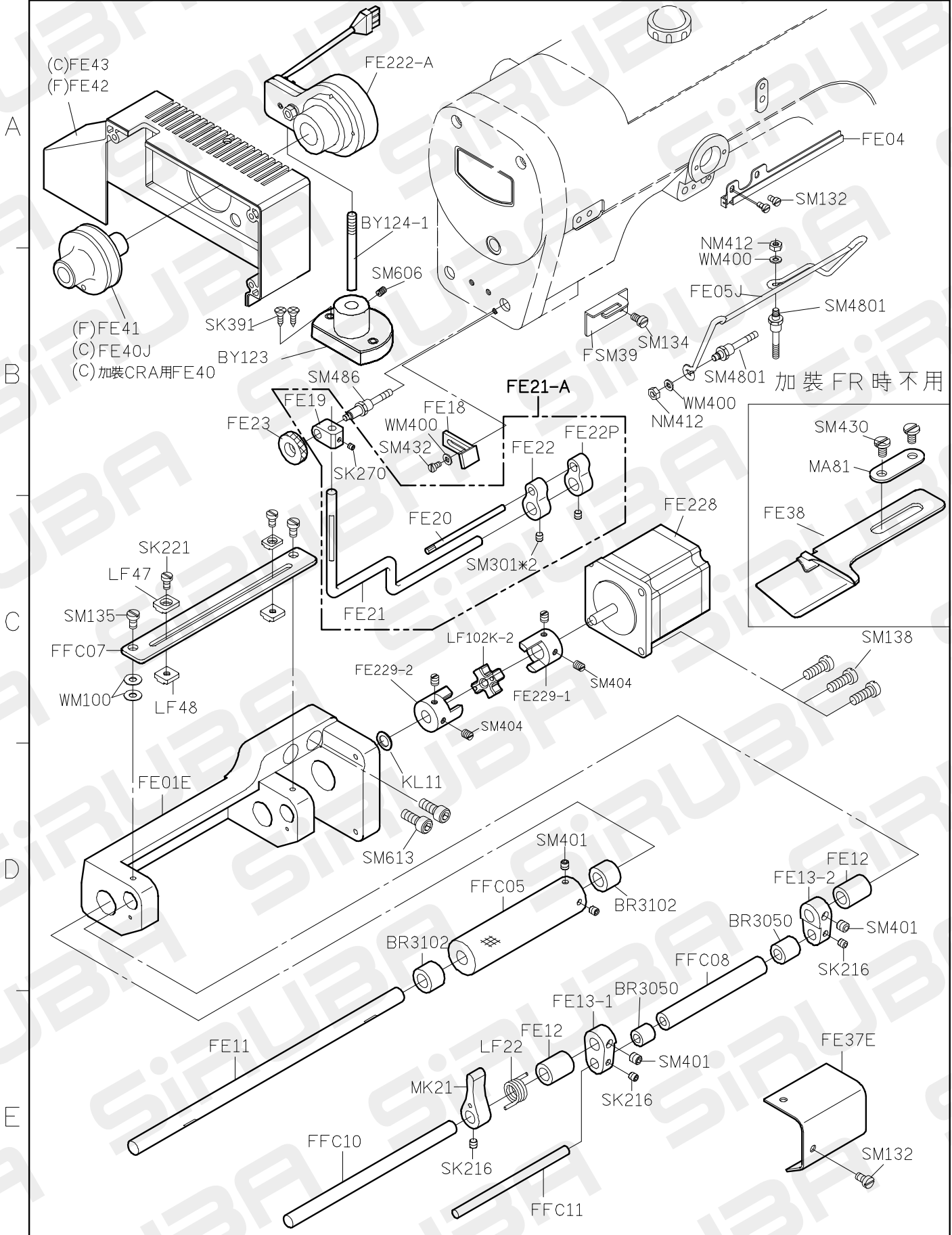
C

D

E



F007JD PARTS LIST FOR FE-K GROUP P.1/3



F007JD PARTS LIST FOR FE-K GROUP P.2/3

FE202-A1

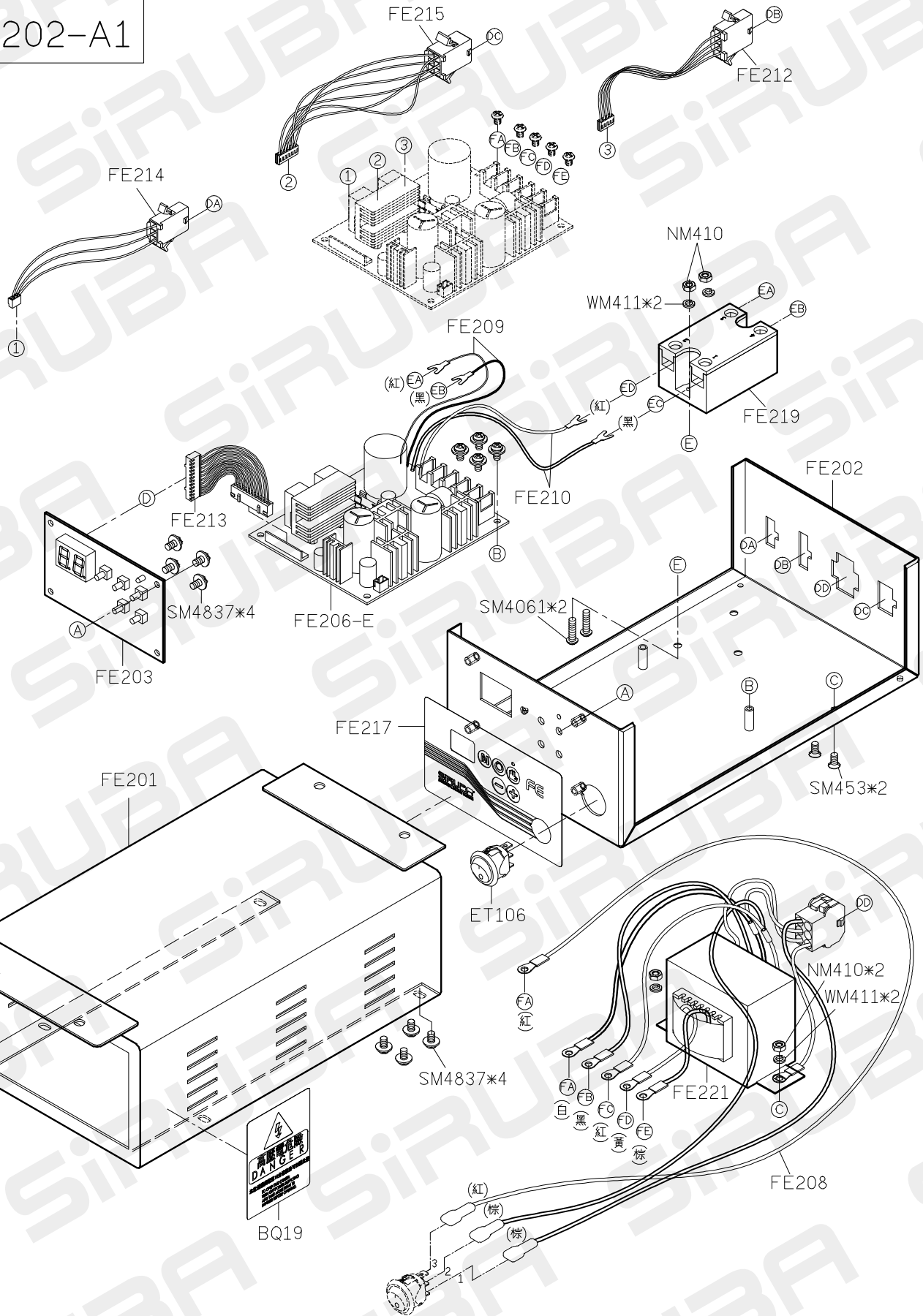
A

B

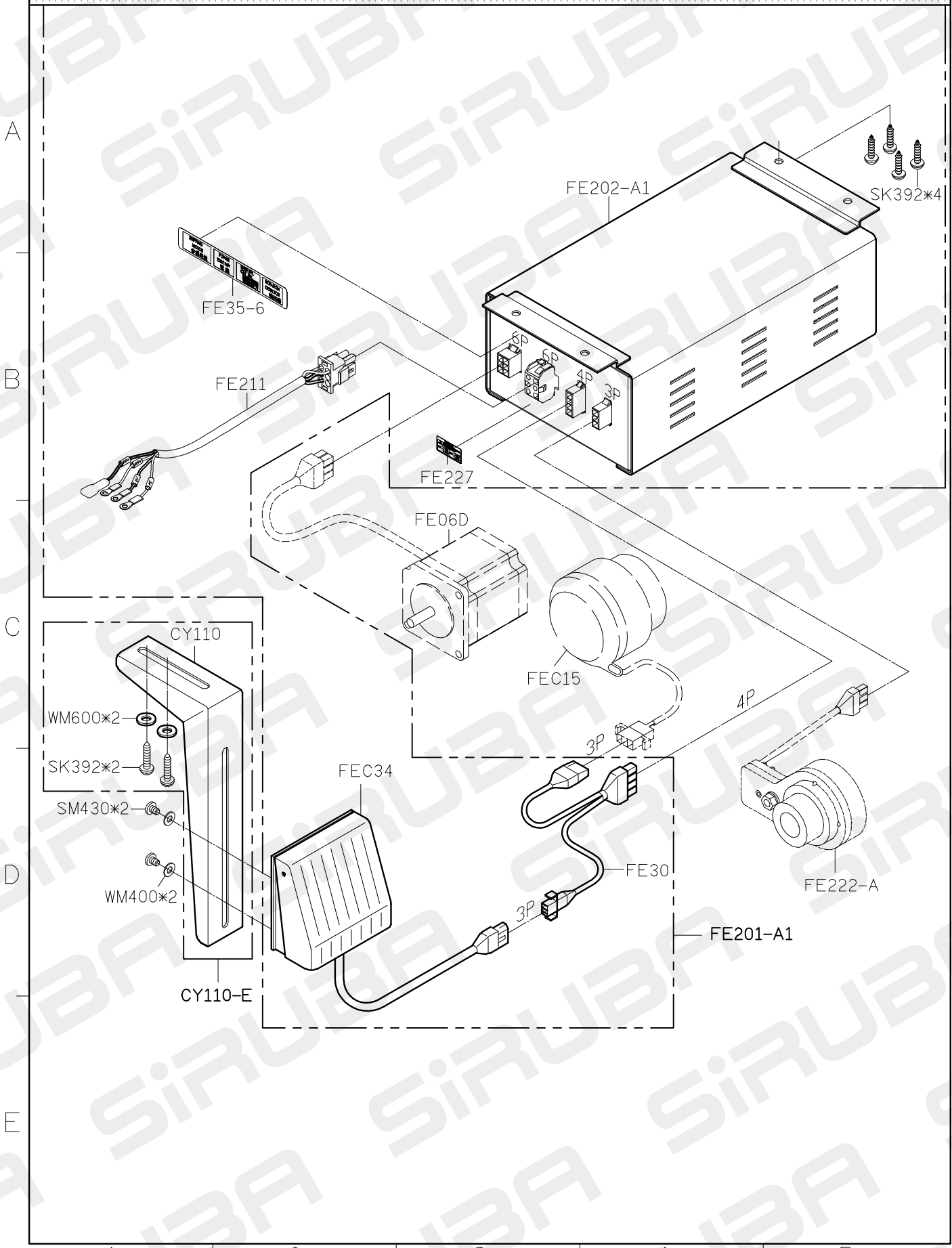
C

D

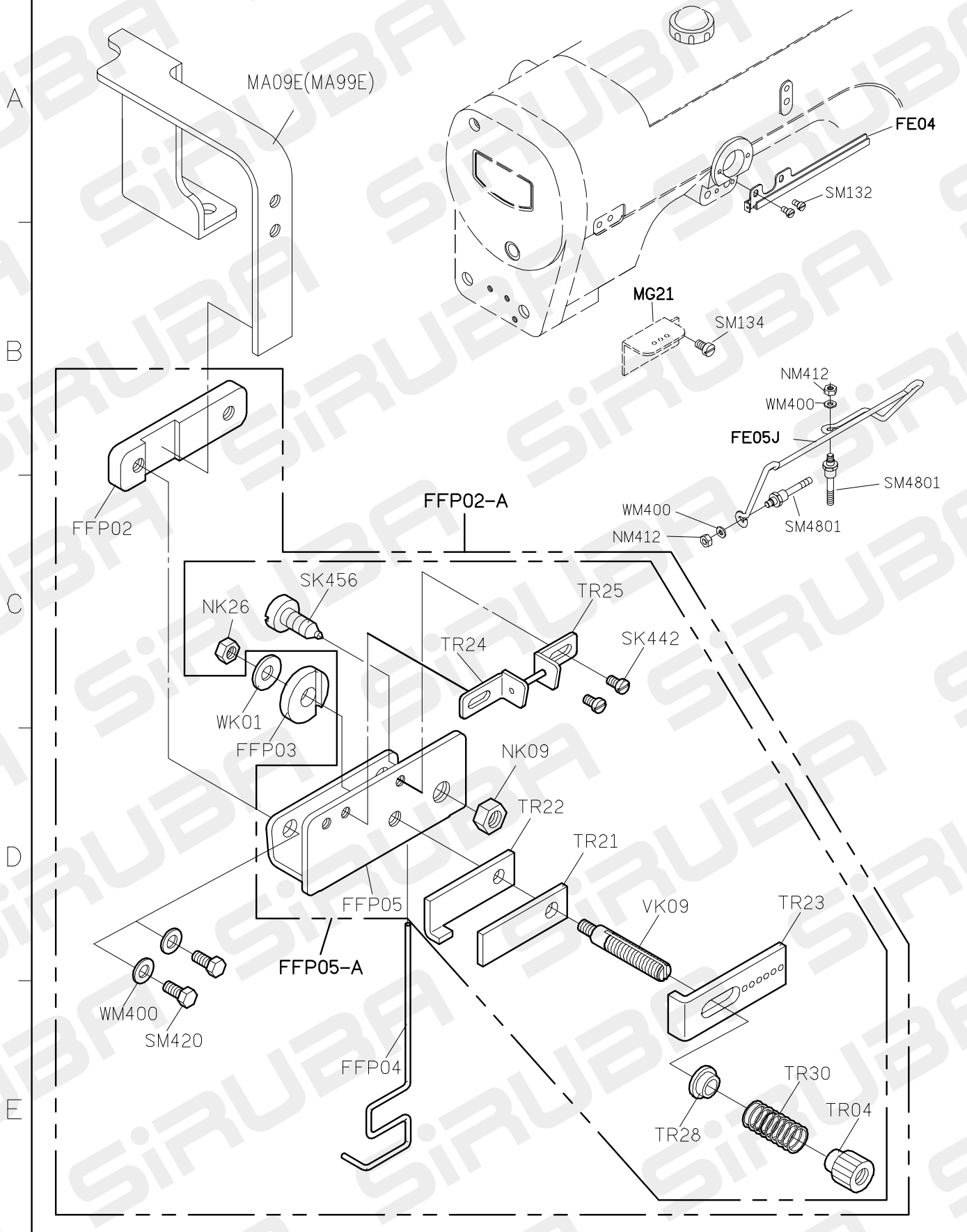
E



F007JD PARTS LIST FOR FE-K GROUP P.3/3



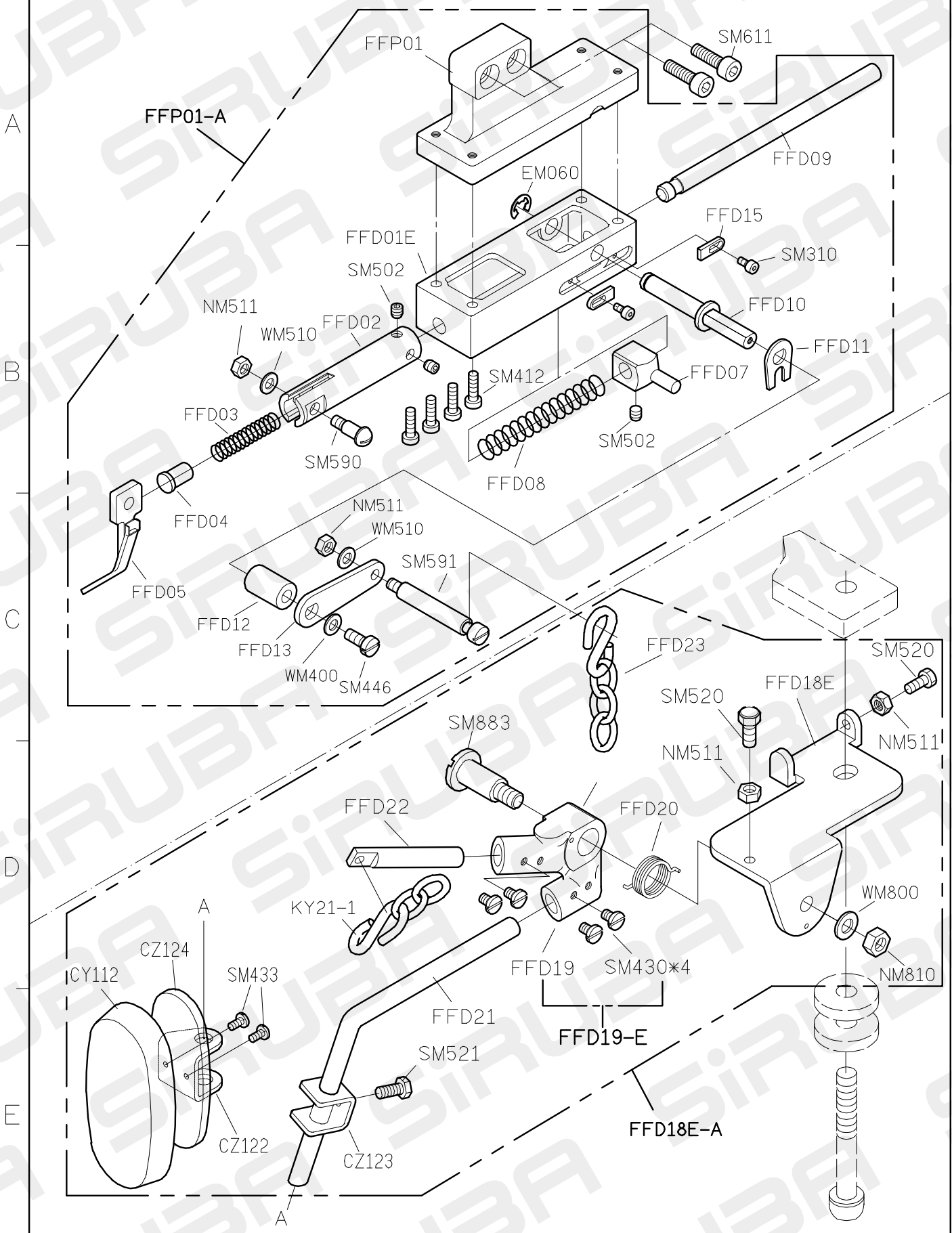
F007JD PARTS LIST FOR FFP GROUP P.1/3



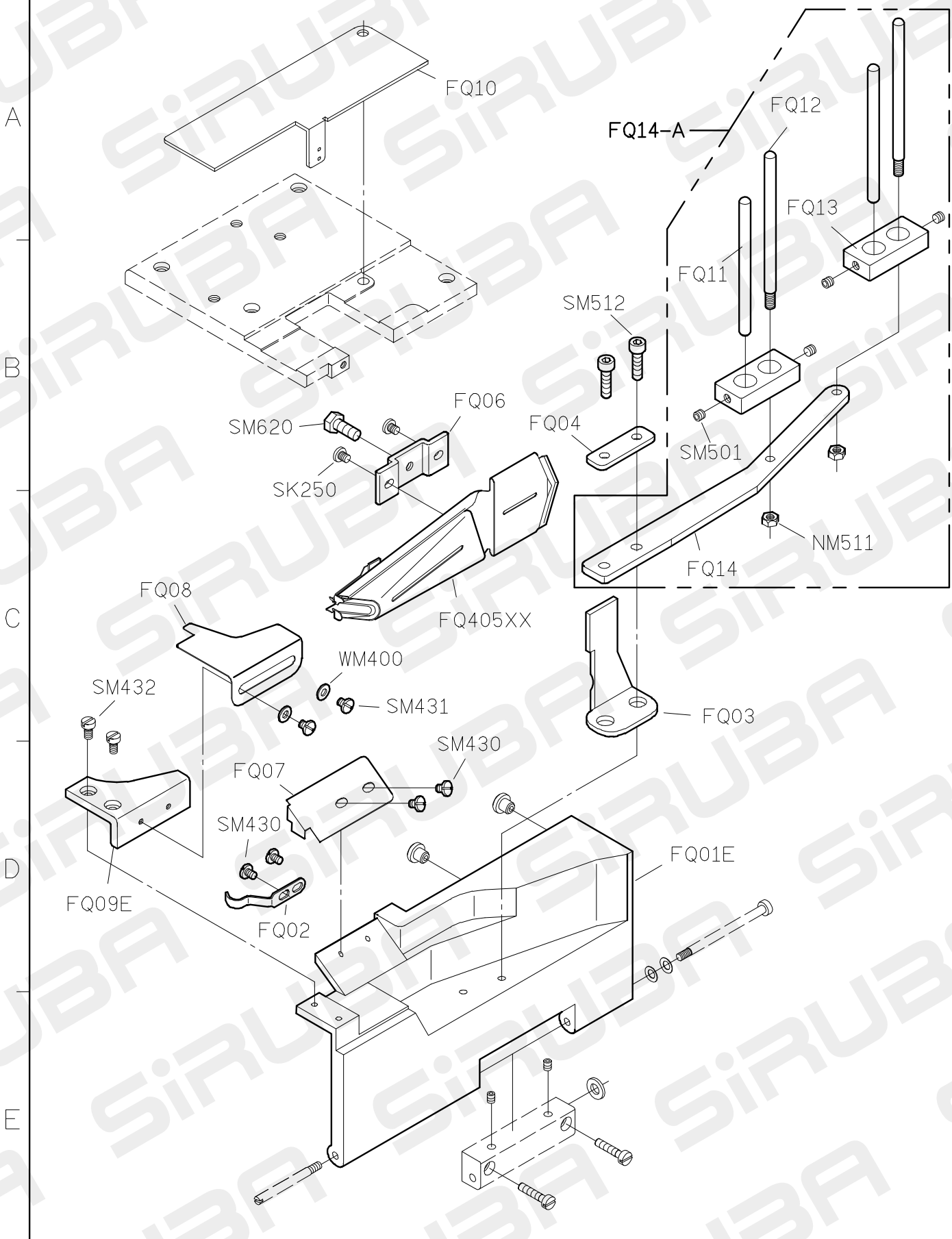
FOR F007J/F007JD/F858J/F858JD

10/07/01

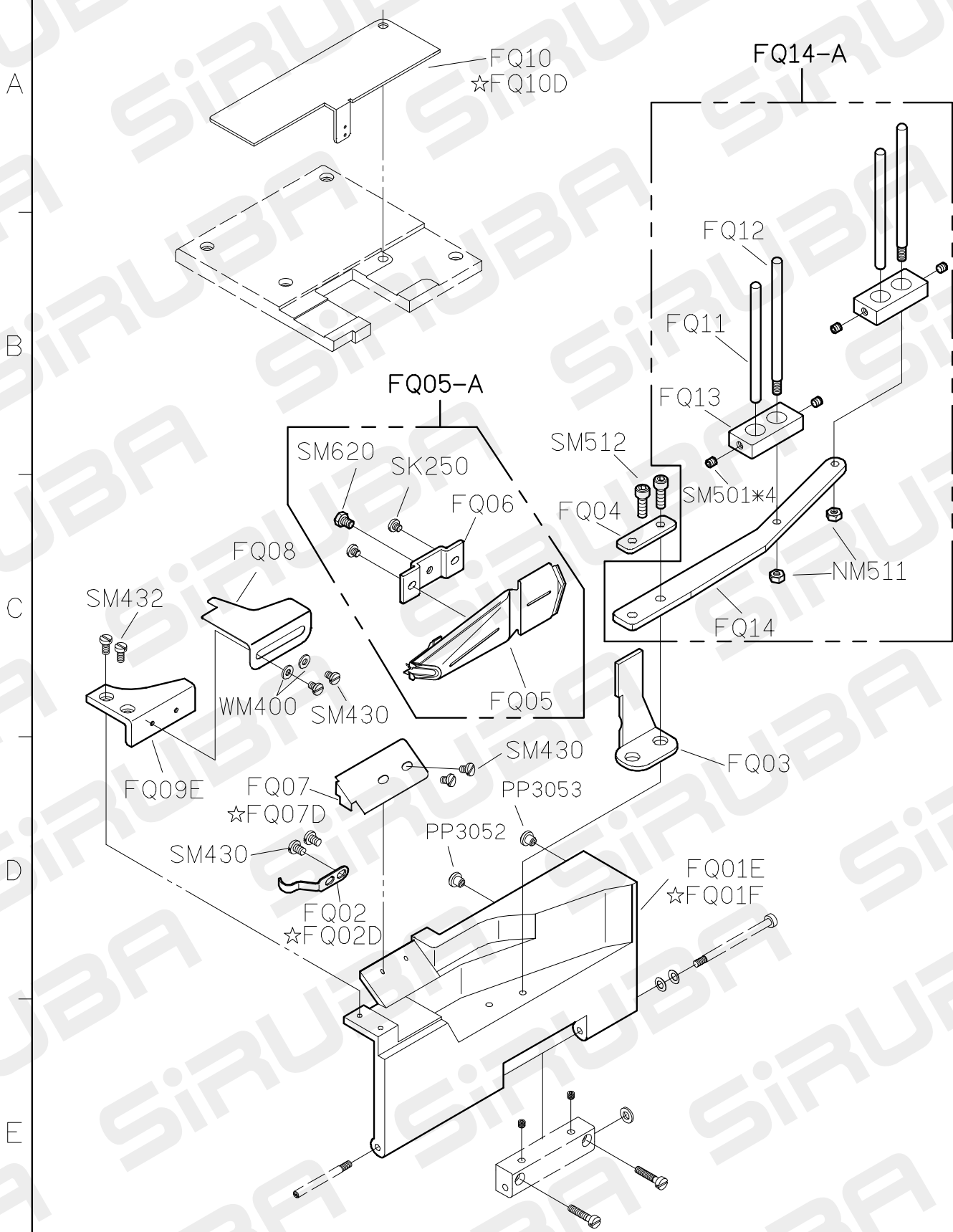
F007JD PARTS LIST FOR FFP GROUP P.2/3



F007JD PARTS LIST FOR FFP GROUP P.3/3



F007JD PARTS LIST FOR FQ GROUP P.1/1

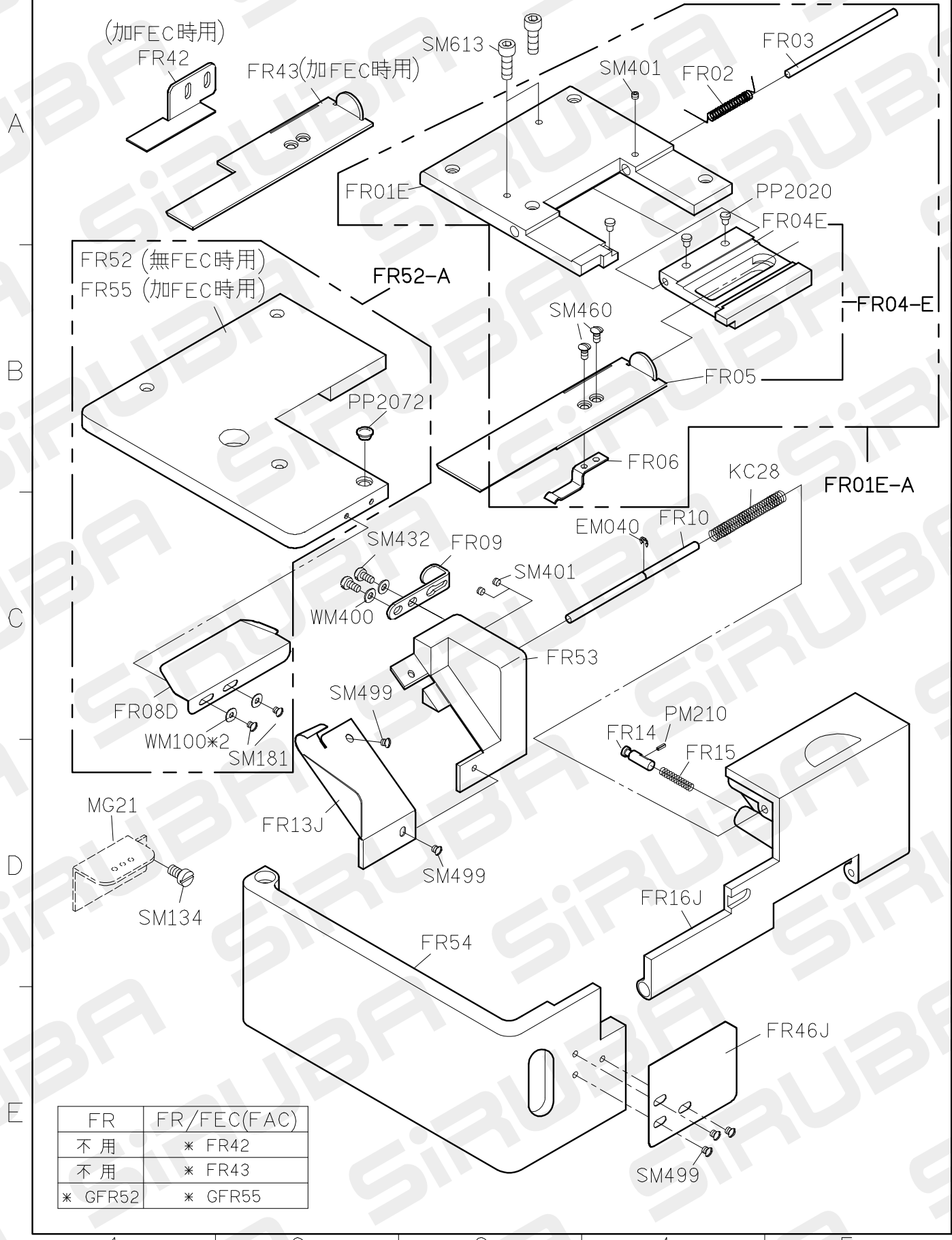


FOR F007J/F007JD/F858J/F858JD

☆USE FOR F007J/F858J/UTG(UTH.UTJ.UTK)

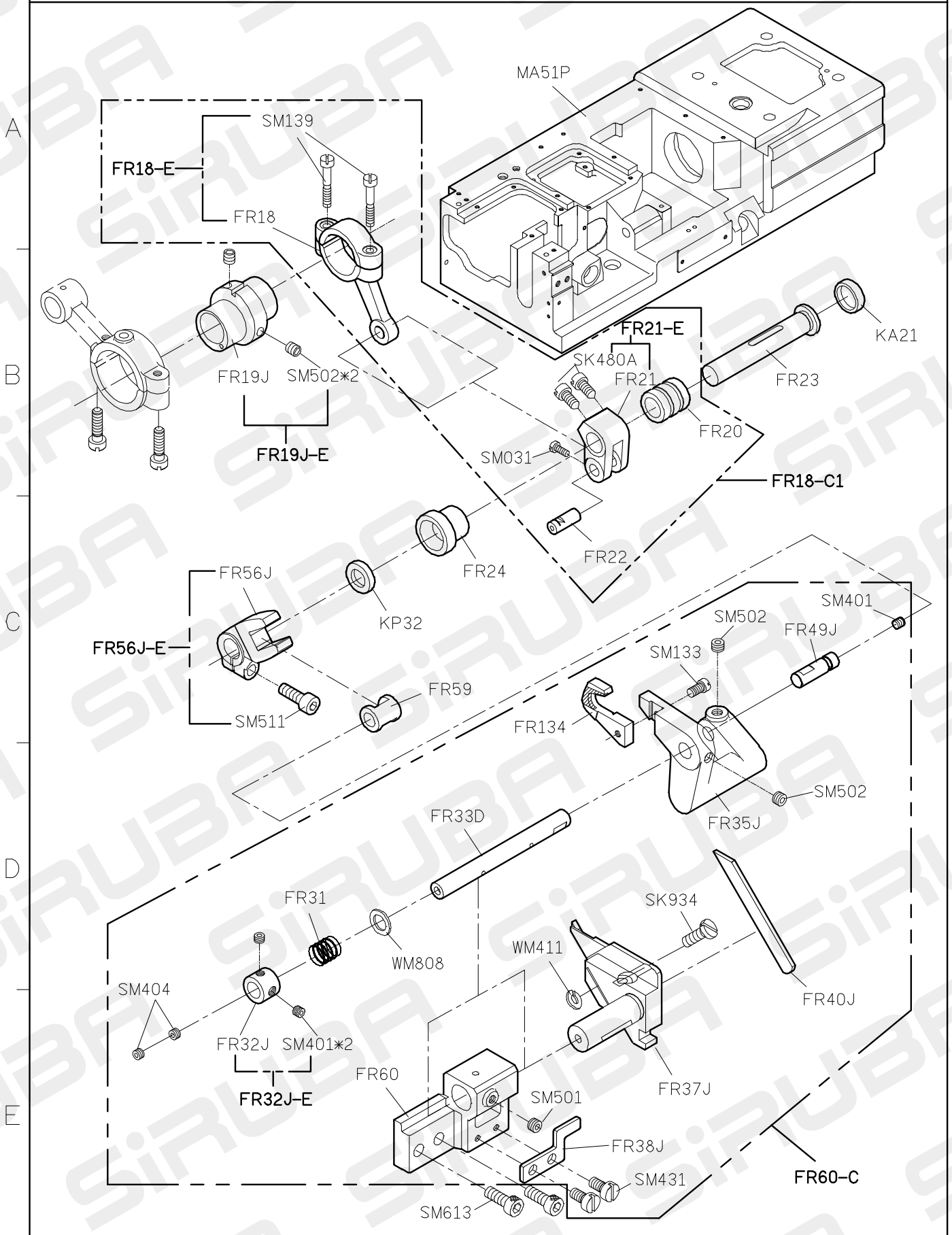
10/07/01

F007JD PARTS LIST FOR FR-J GROUP P.1/3



FR	FR/FEC(FAC)
不用	* FR42
不用	* FR43
* GFR52	* GFR55

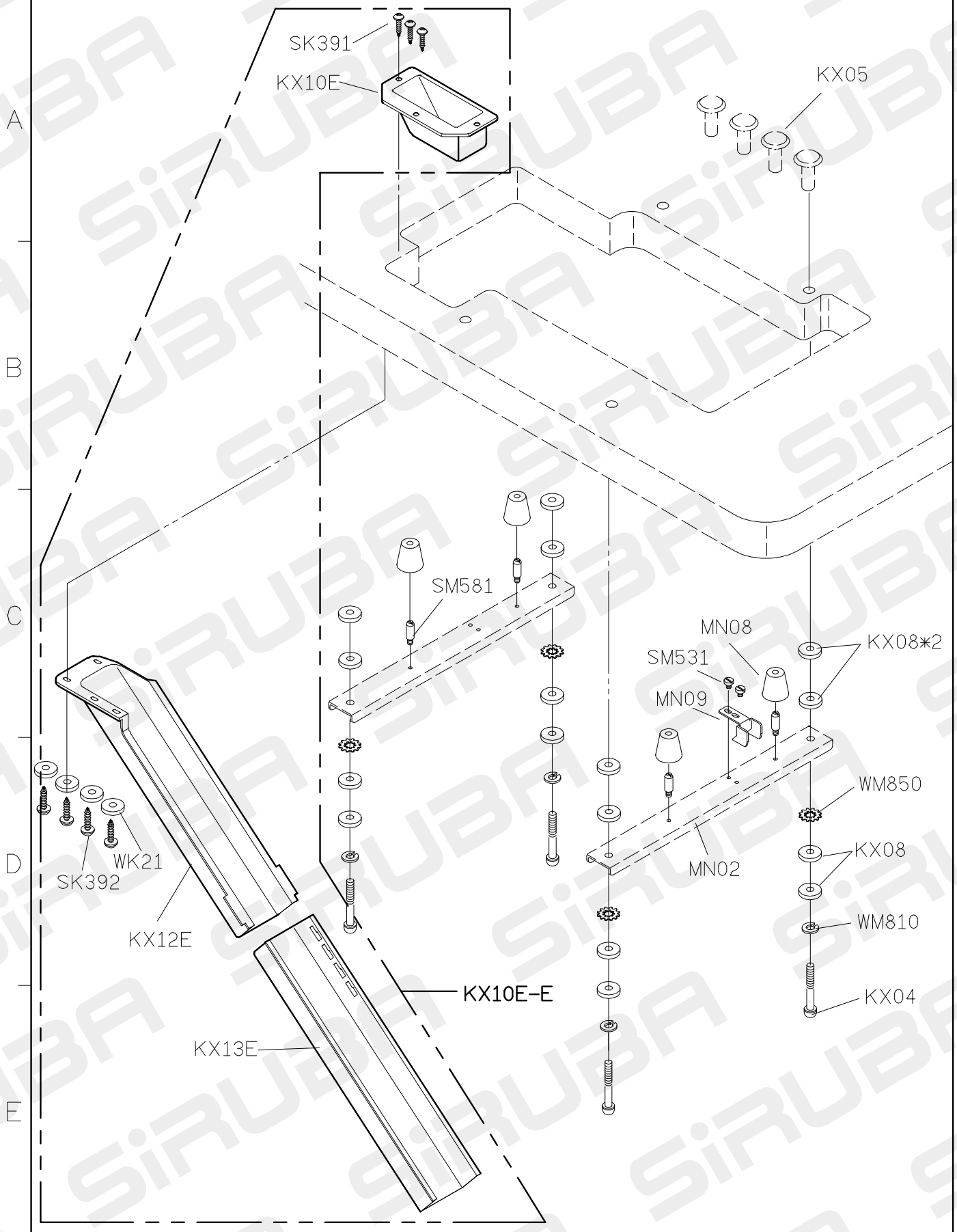
F007JD PARTS LIST FOR FR-J GROUP P.2/3



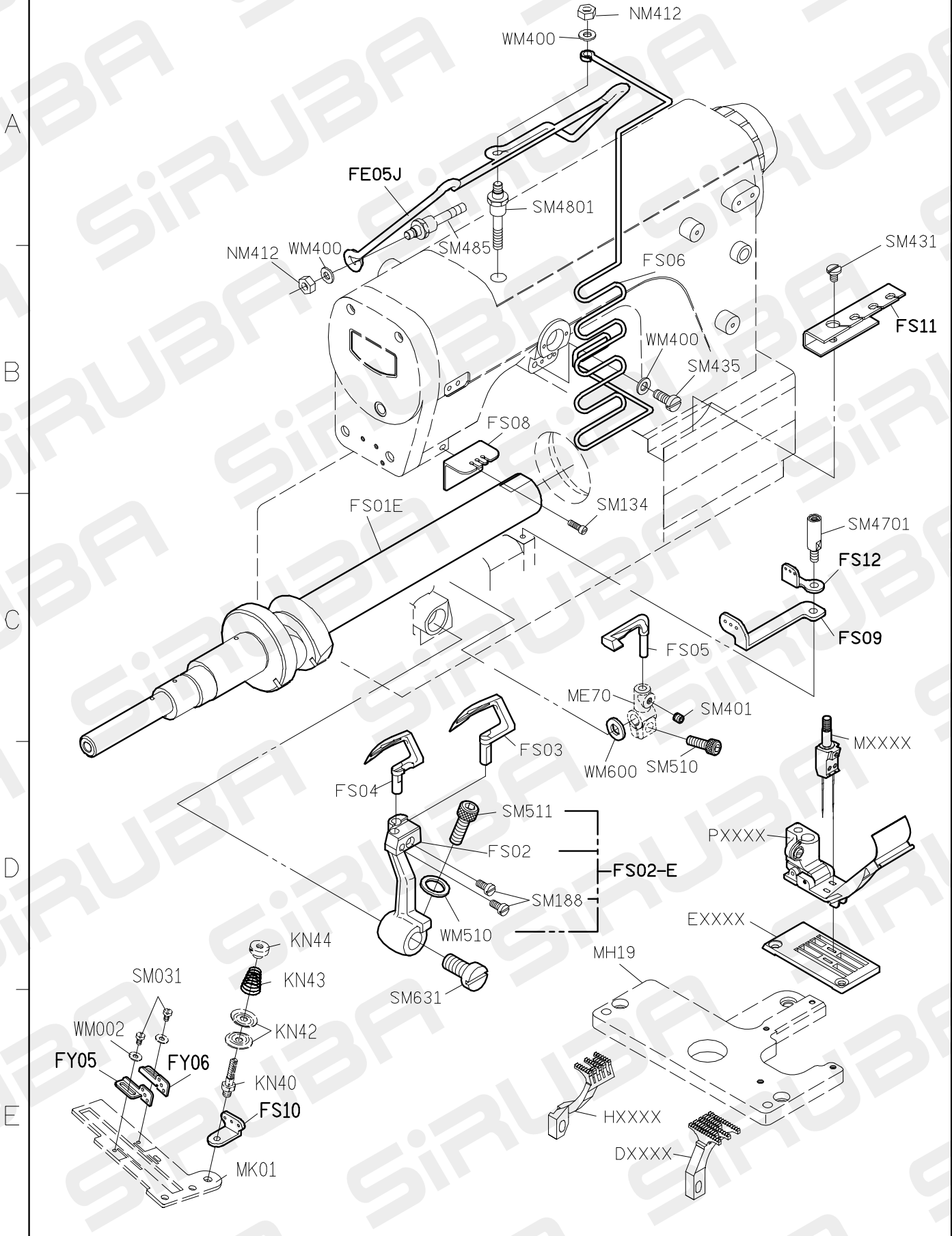
FOR F007J/F007JD/F858J/F858JD

10/07/01

F007JD PARTS LIST FOR FR-J GROUP P.3/3



F007JD PARTS LIST FOR FSP GROUP P.1/1



1
FOR F007J/F007JD/F858J/F858JD

5
10/07/01

F007JD PARTS LIST FOR FSQ GROUP P.1/1

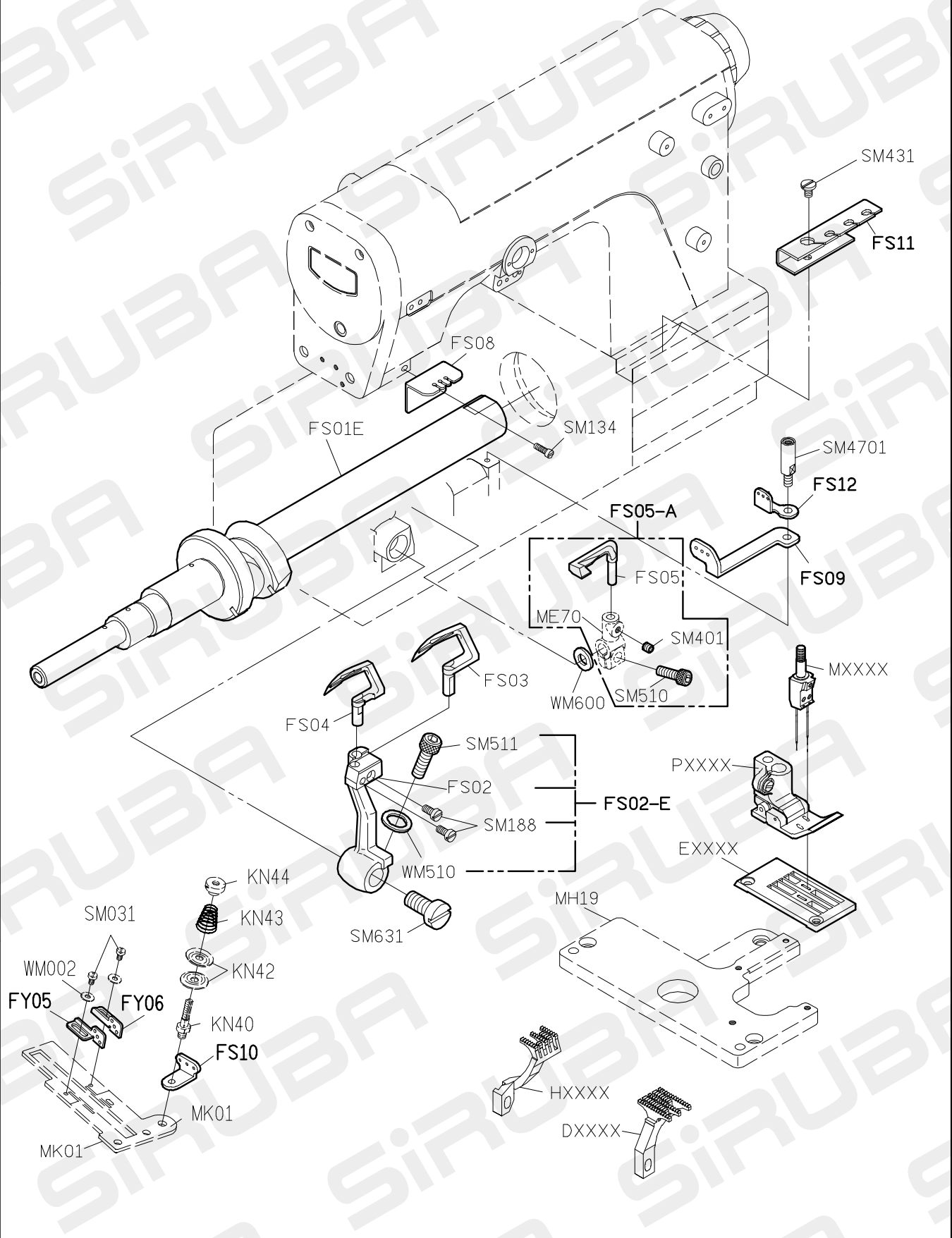
A

B

C

D

E



1
FOR F007J/F007JD/F858J/F858JD

2

3

4

5

10/07/01

F007JD PARTS LIST FOR FSR GROUP P.1/2

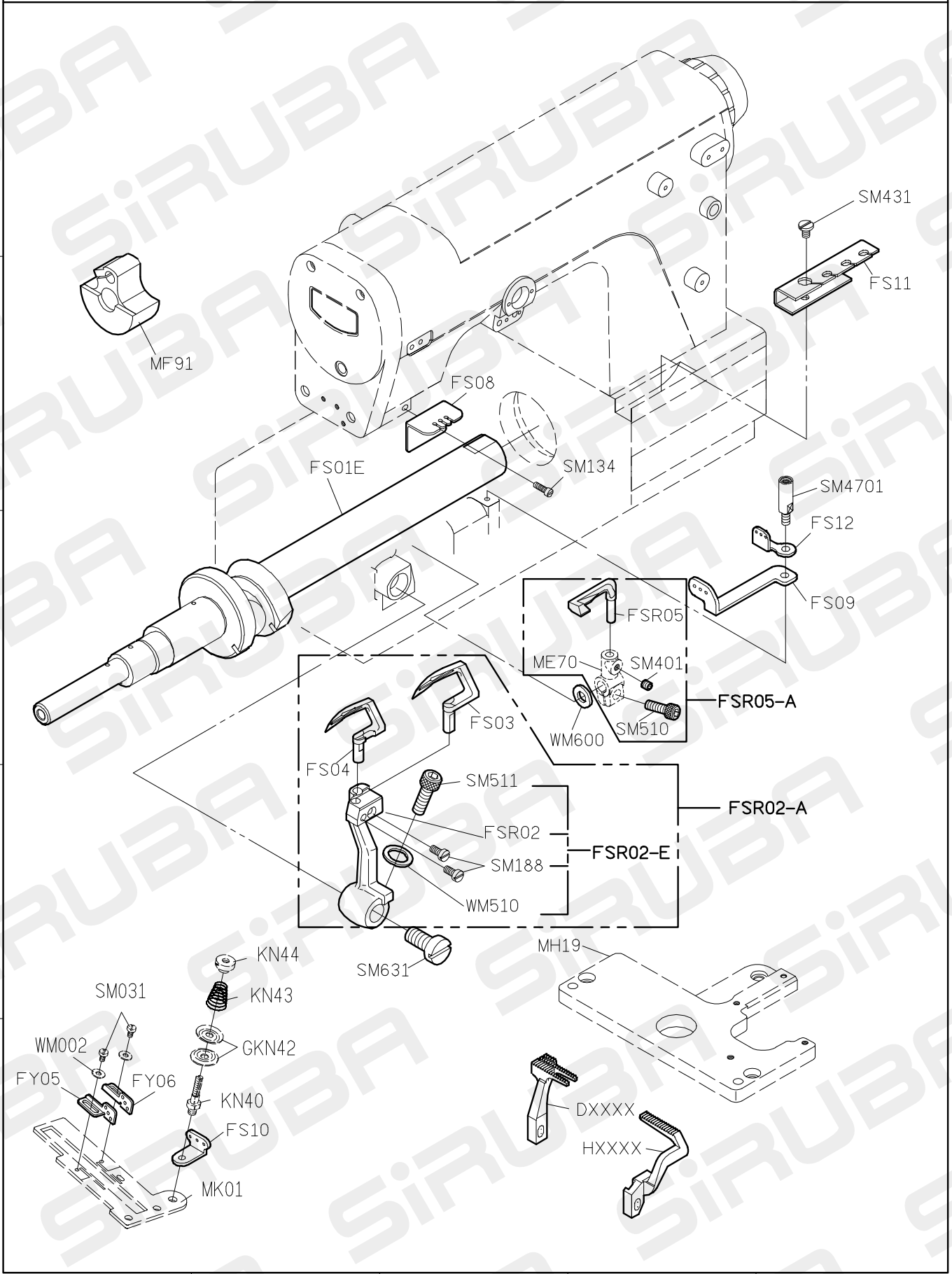
A

B

C

D

E

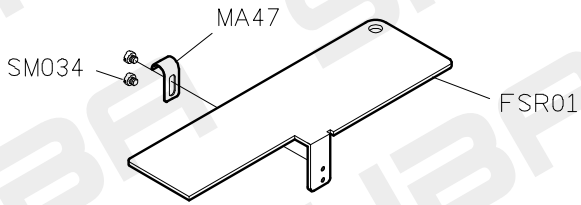


1 FOR F007J/F007JD/F858J/F858JD

10/07/01

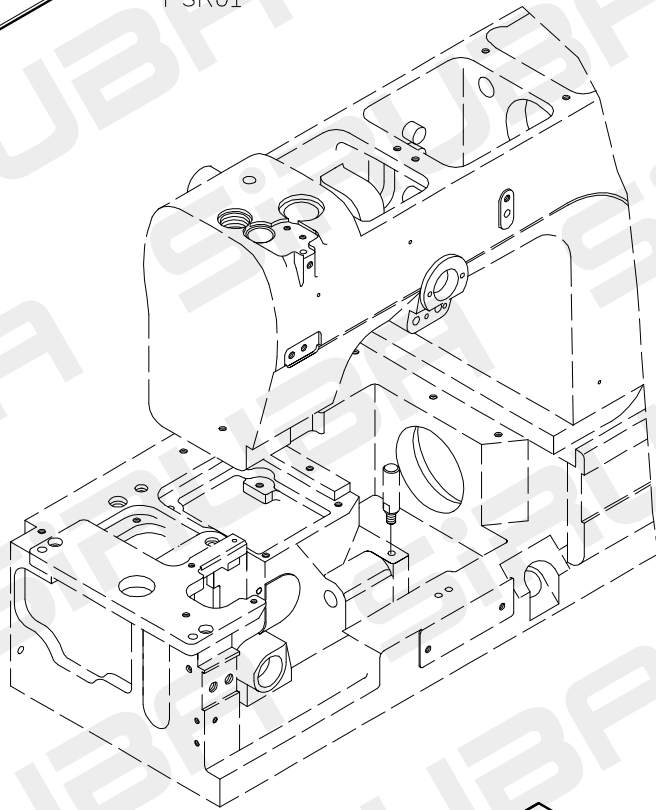
F007JD PARTS LIST FOR FSR GROUP P.2/2

A

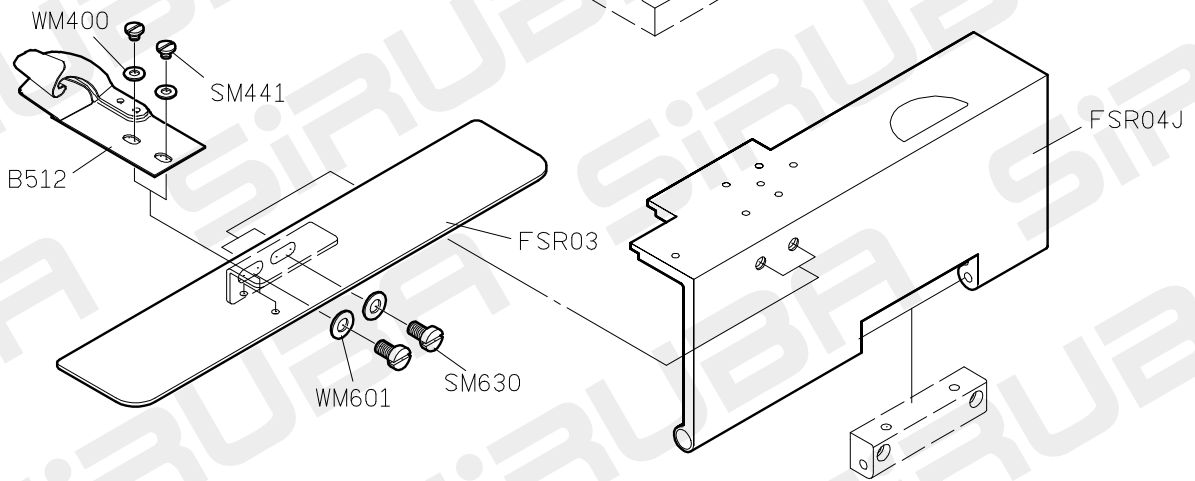


B

C

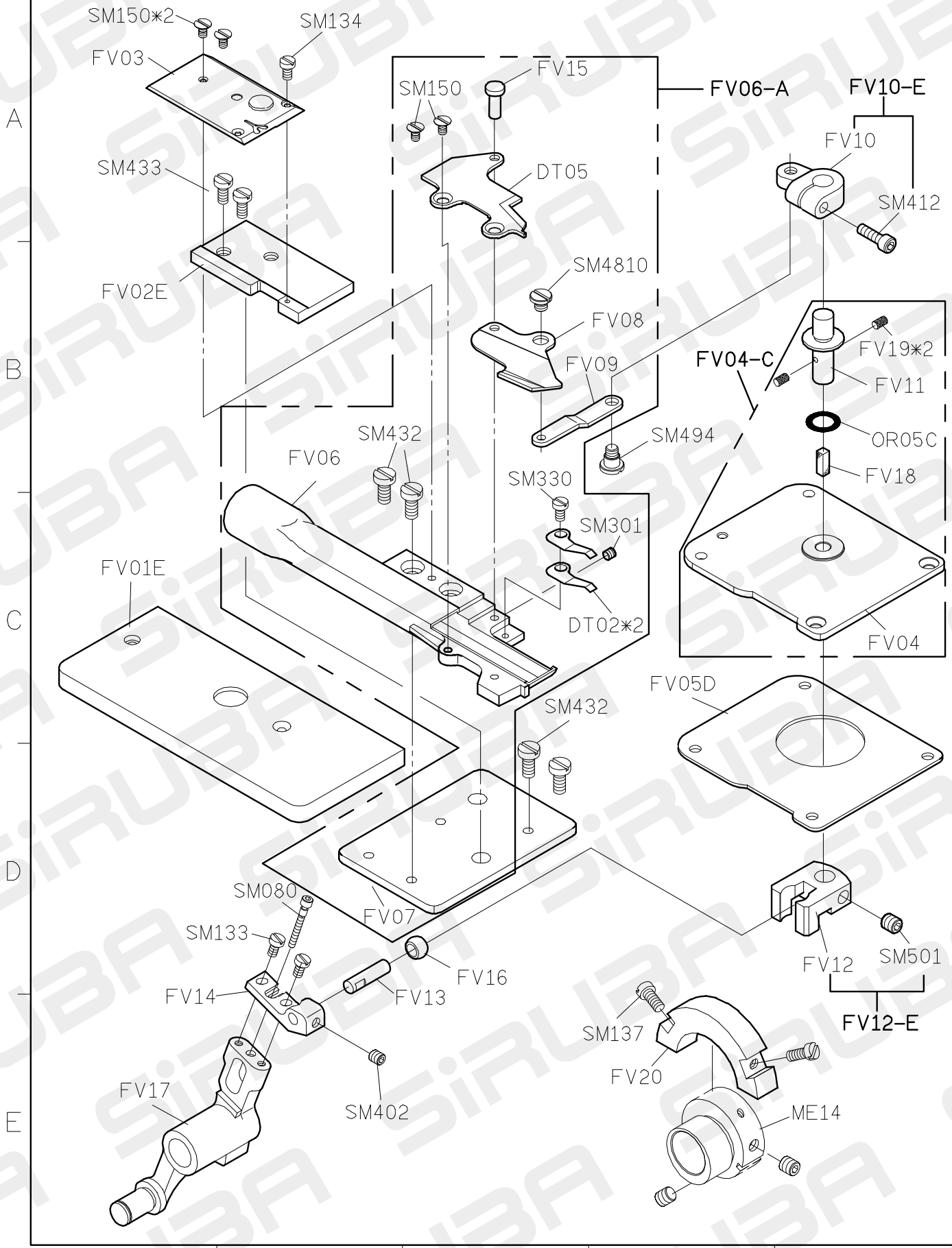


D



E

F007JD PARTS LIST FOR FV GROUP P.1/1



F007JD PARTS LIST FOR FWP

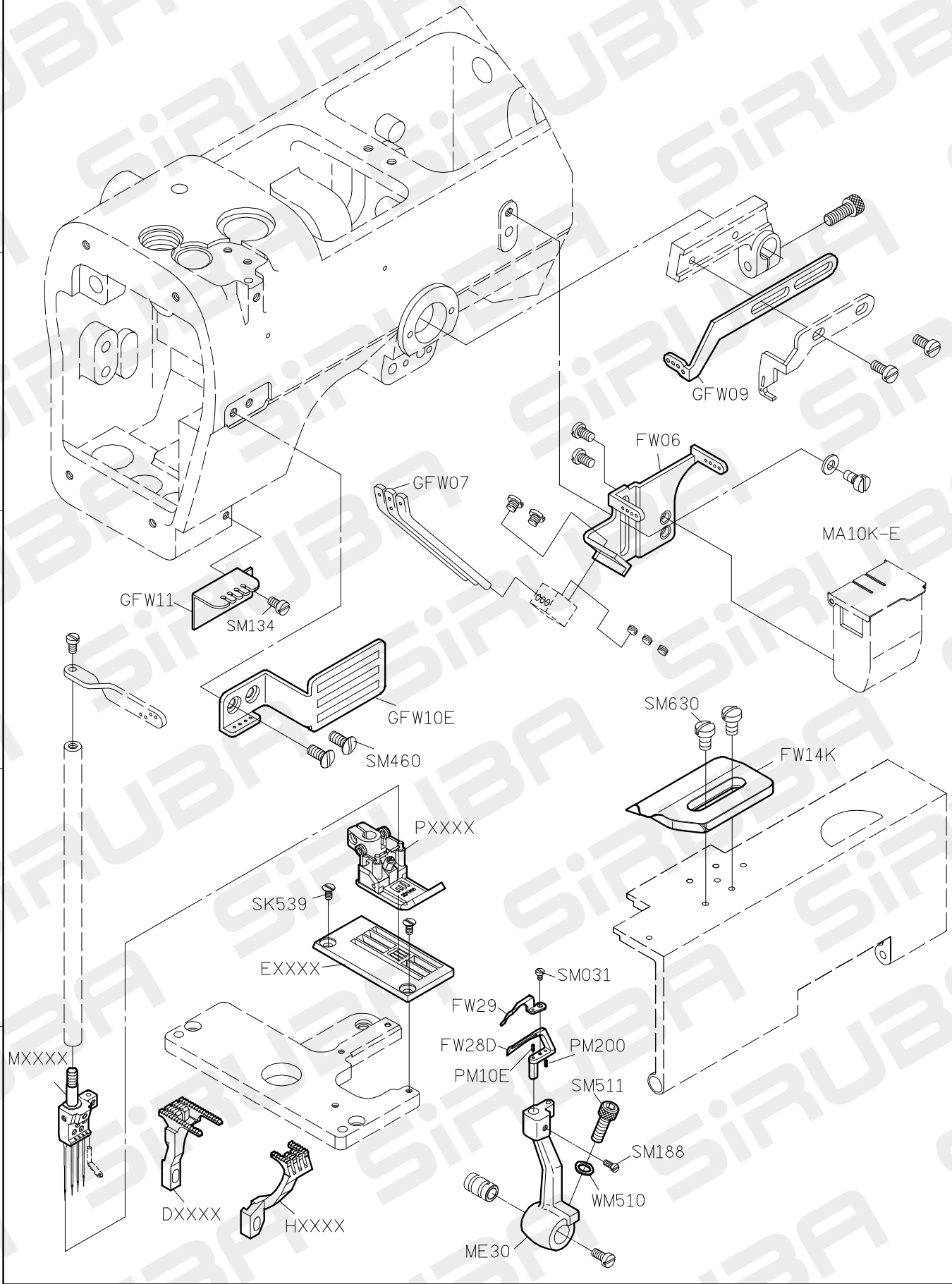
A

B

C

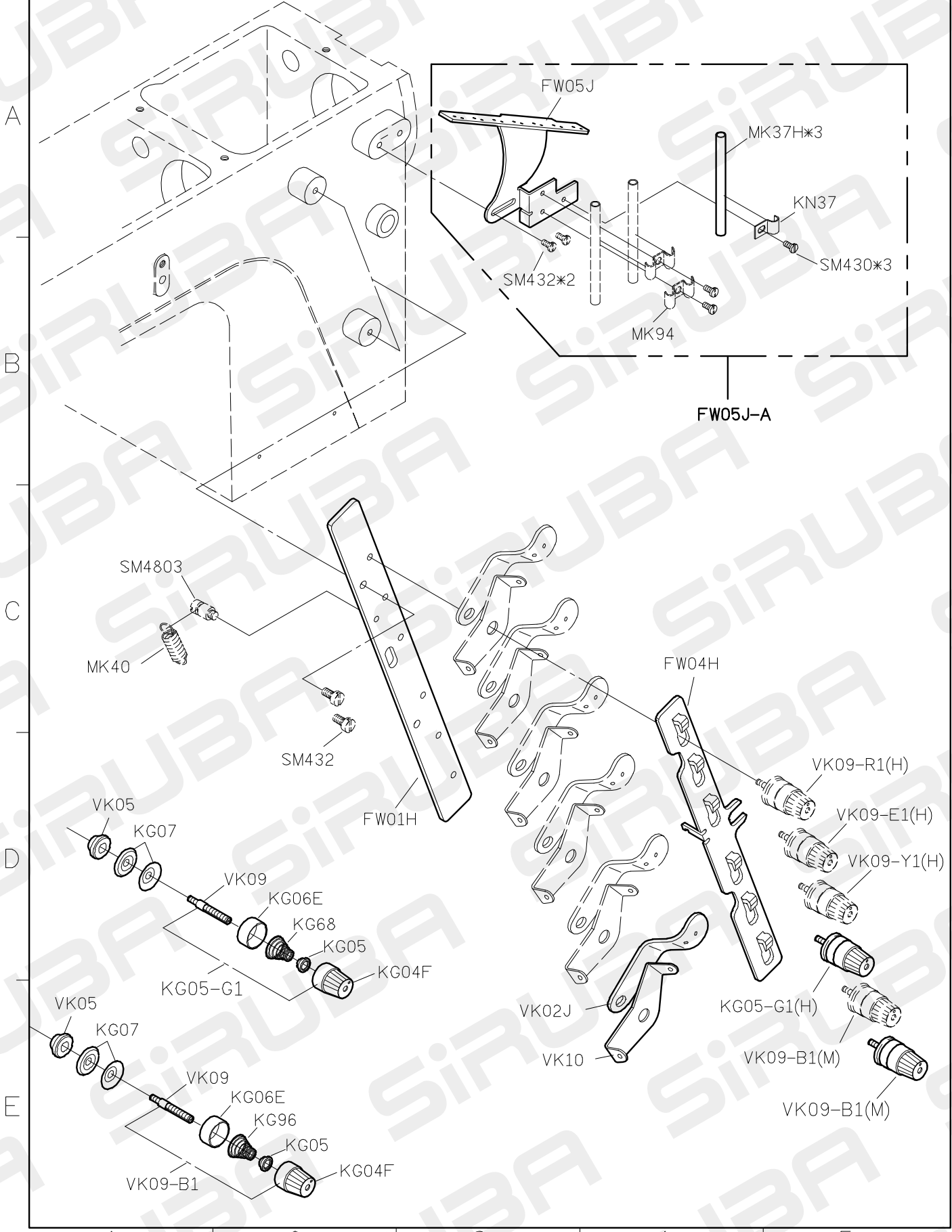
D

E



1 2 3 4 5

F007JD PARTS LIST FOR FWP GROUP P.2/4

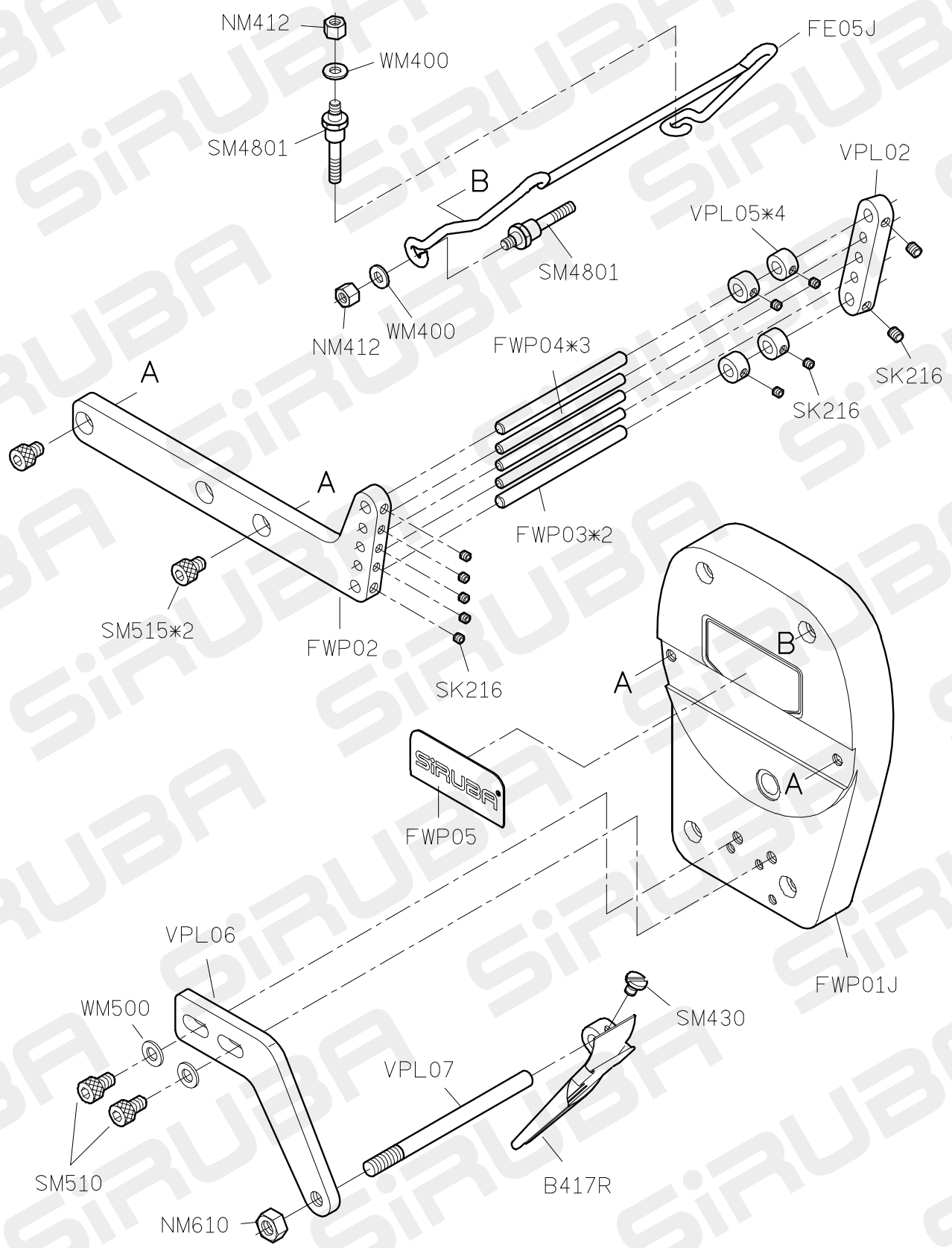


FOR F007J/F007JD/F858J/F858JD

10/07/01

F007JD PARTS LIST FOR FWP GROUP P.3/4

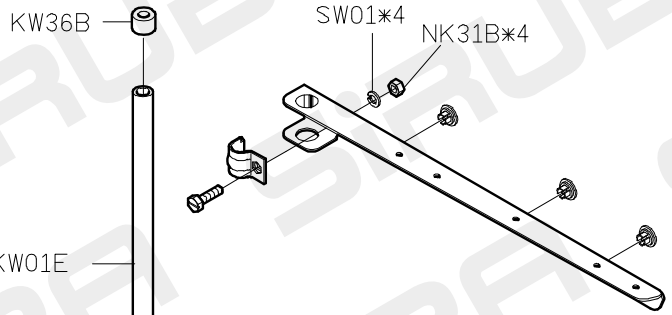
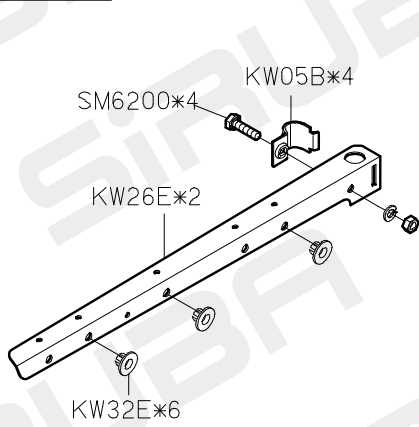
A
B
C
D
E



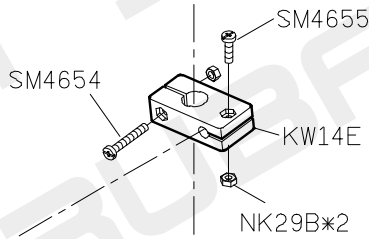
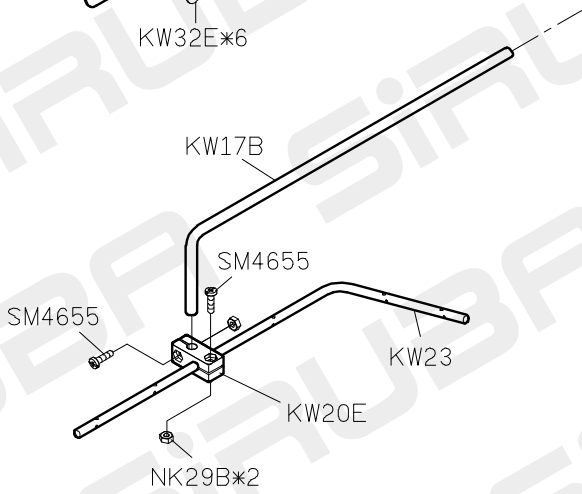
F007JD PARTS LIST FOR FWP GROUP P.4/4

KW40E-A3

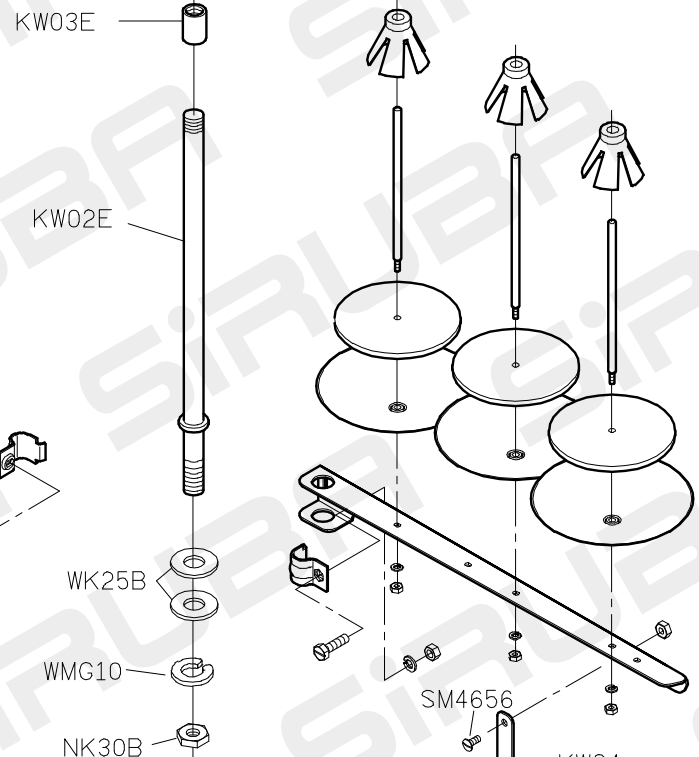
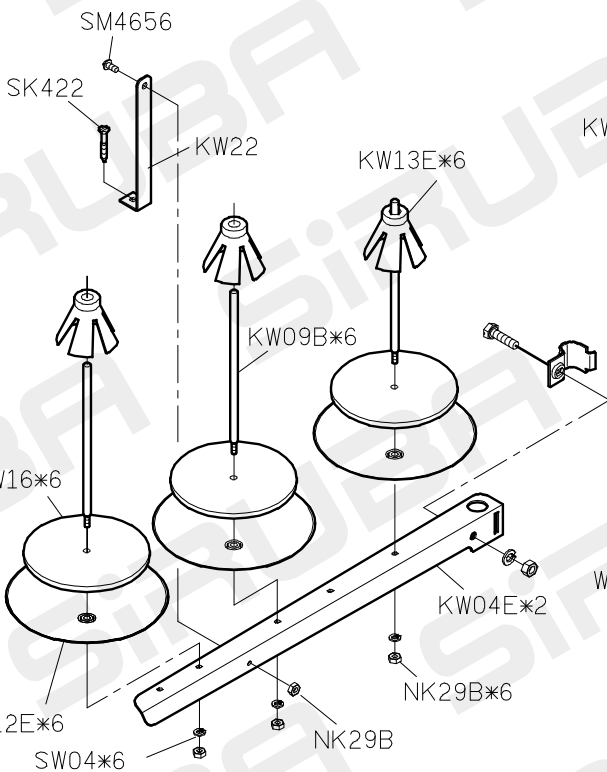
A



B



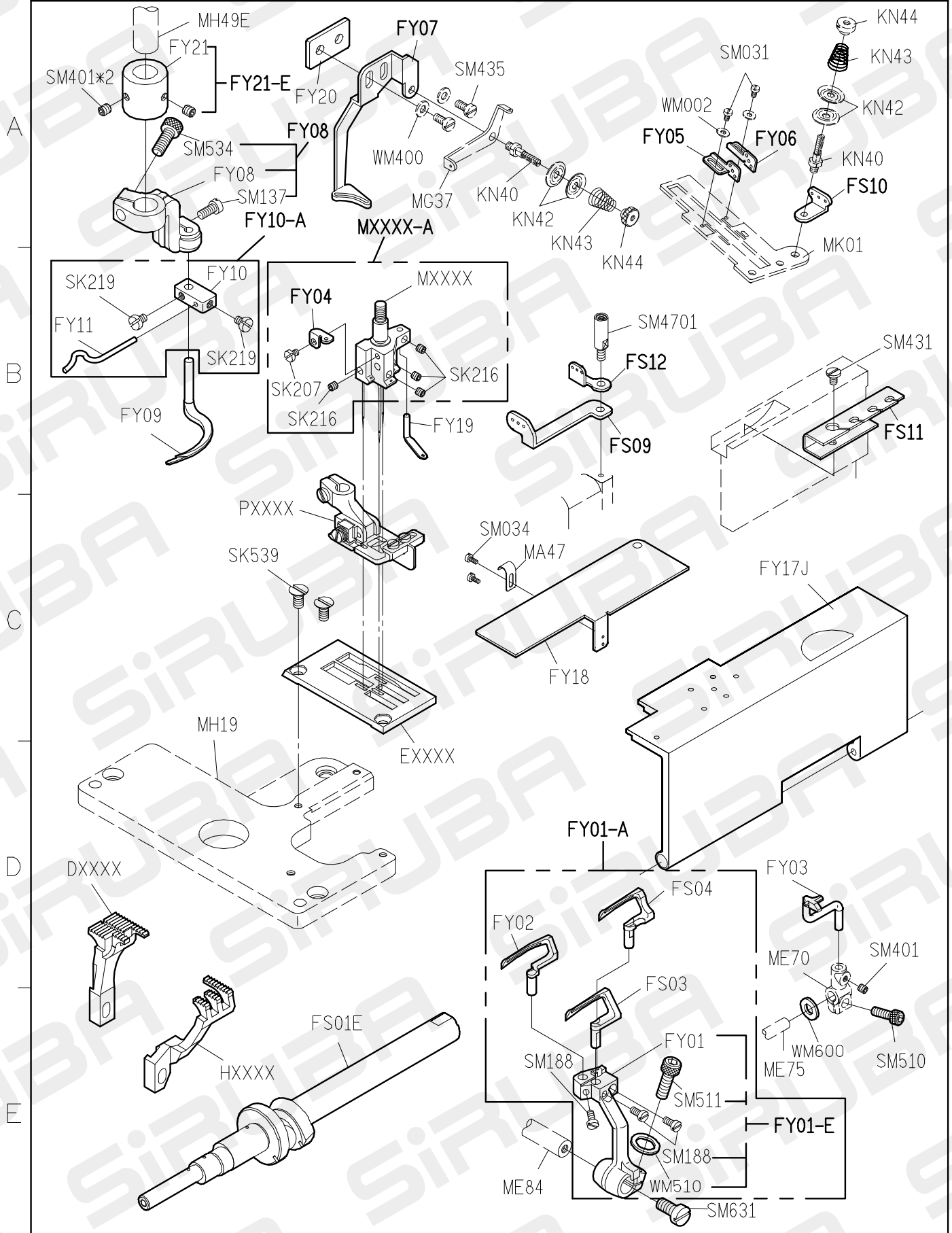
C



D

E

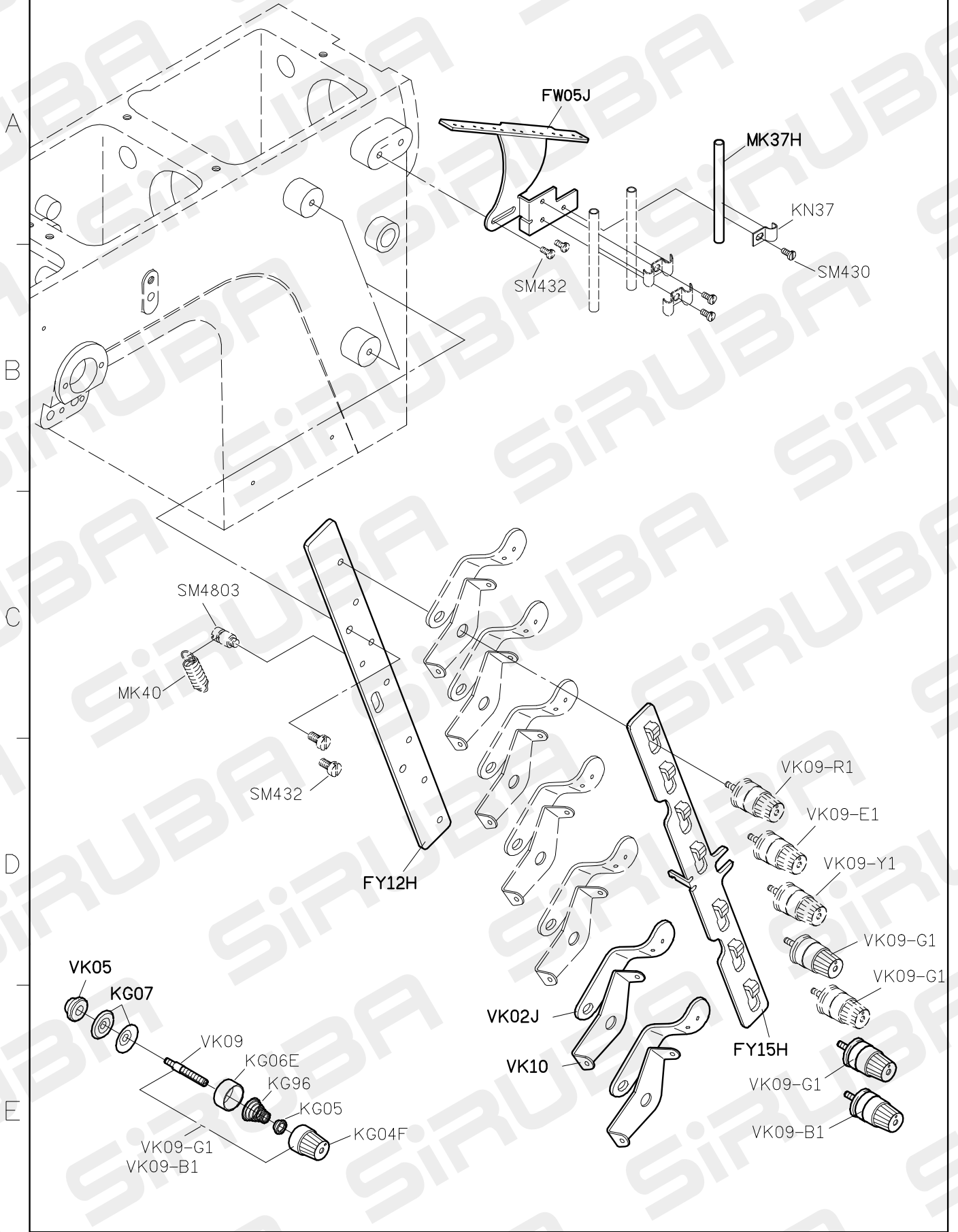
F007JD PARTS LIST FOR FY-J GROUP P.1/3



FOR F007J/F007JD/F858J/F858JD

10/07/01

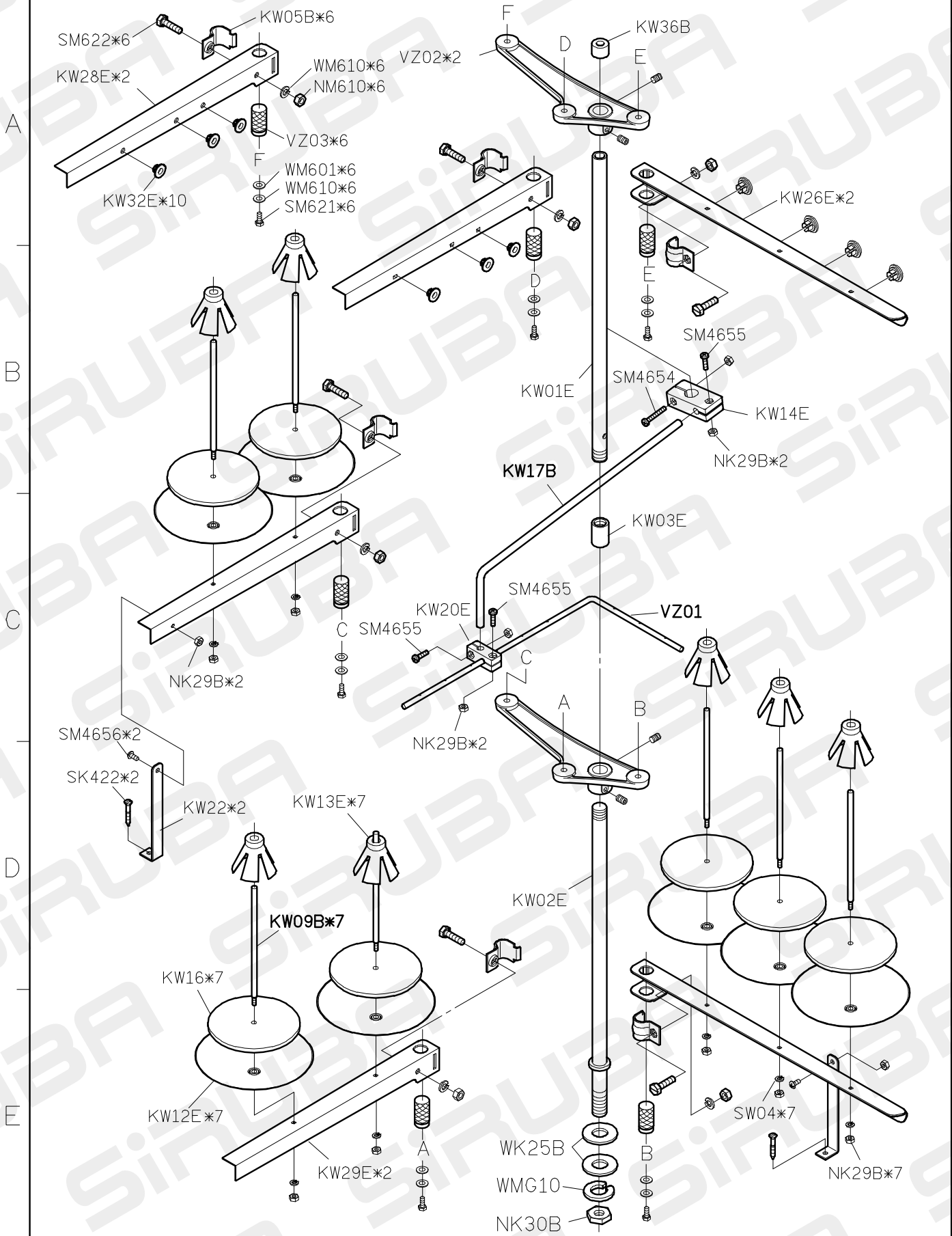
F007JD PARTS LIST FOR FY-J GROUP P.2/3



1
FOR F007J/F007JD/F858J/F858JD

5
10/07/01

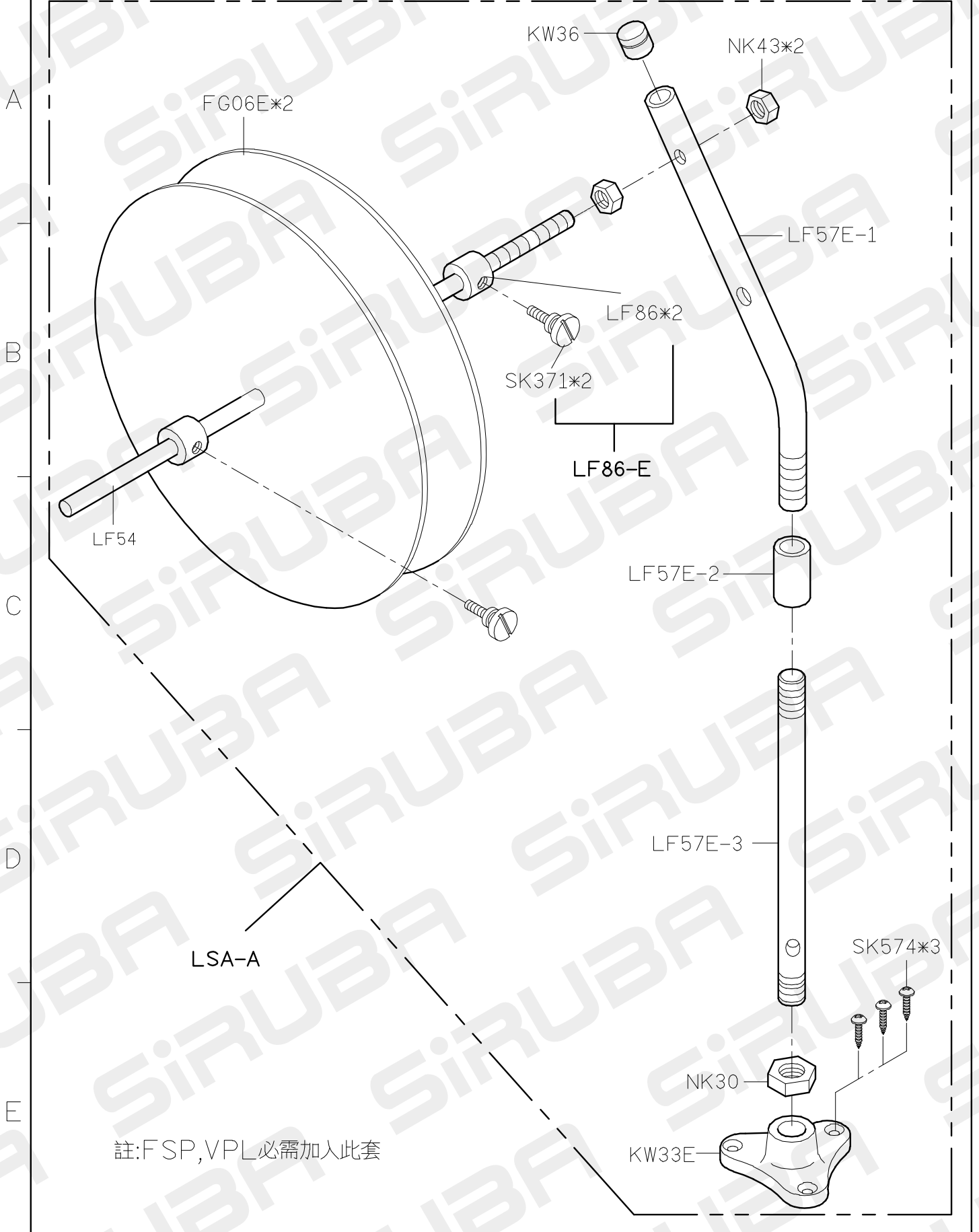
F007JD PARTS LIST FOR FY-J GROUP P.3/3



1
FOR F007J/F007JD/F858J/F858JD

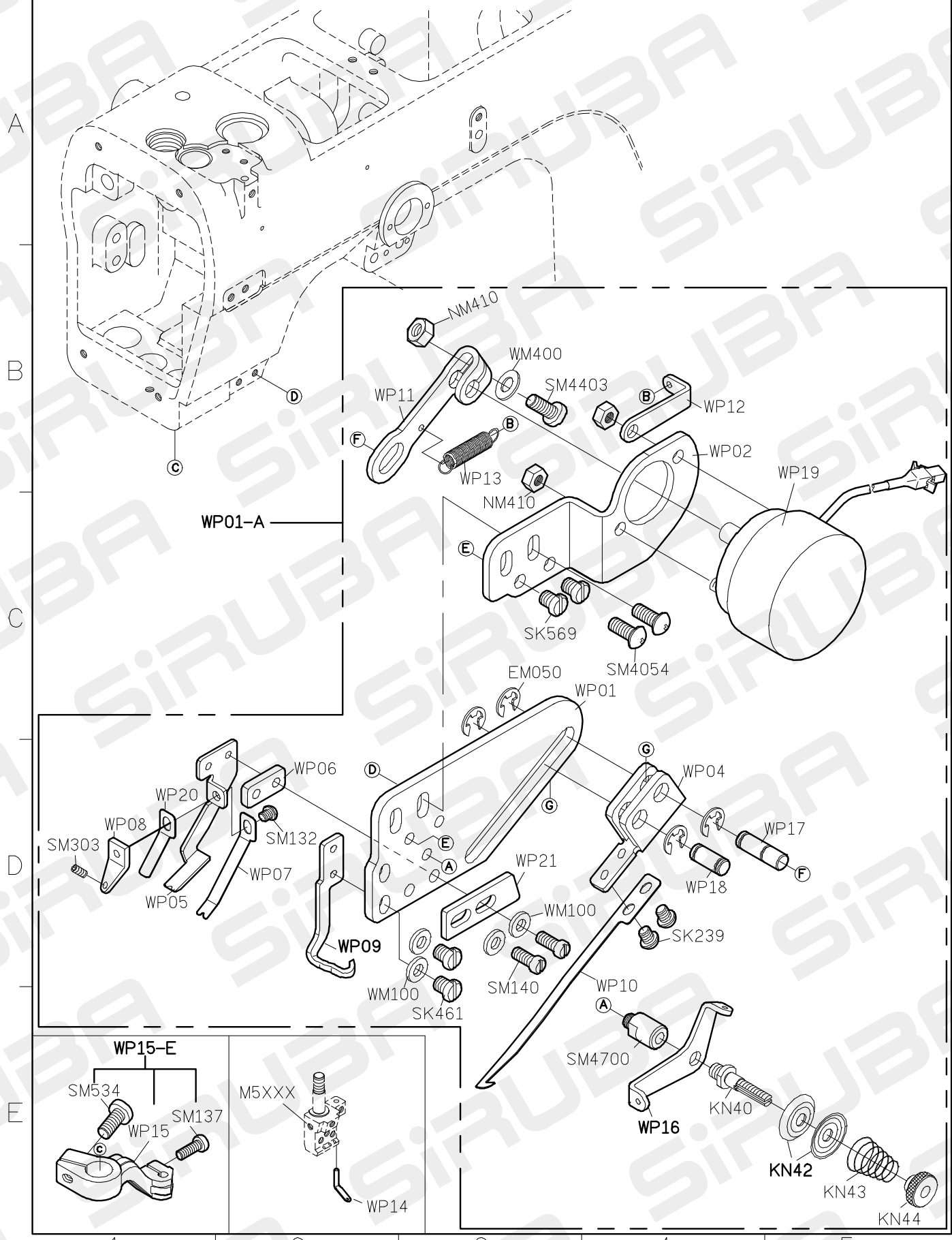
10/07/01

F007JD PARTS LIST FOR LSA GROUP P.1/1



註:FSP,VPL必需加入此套

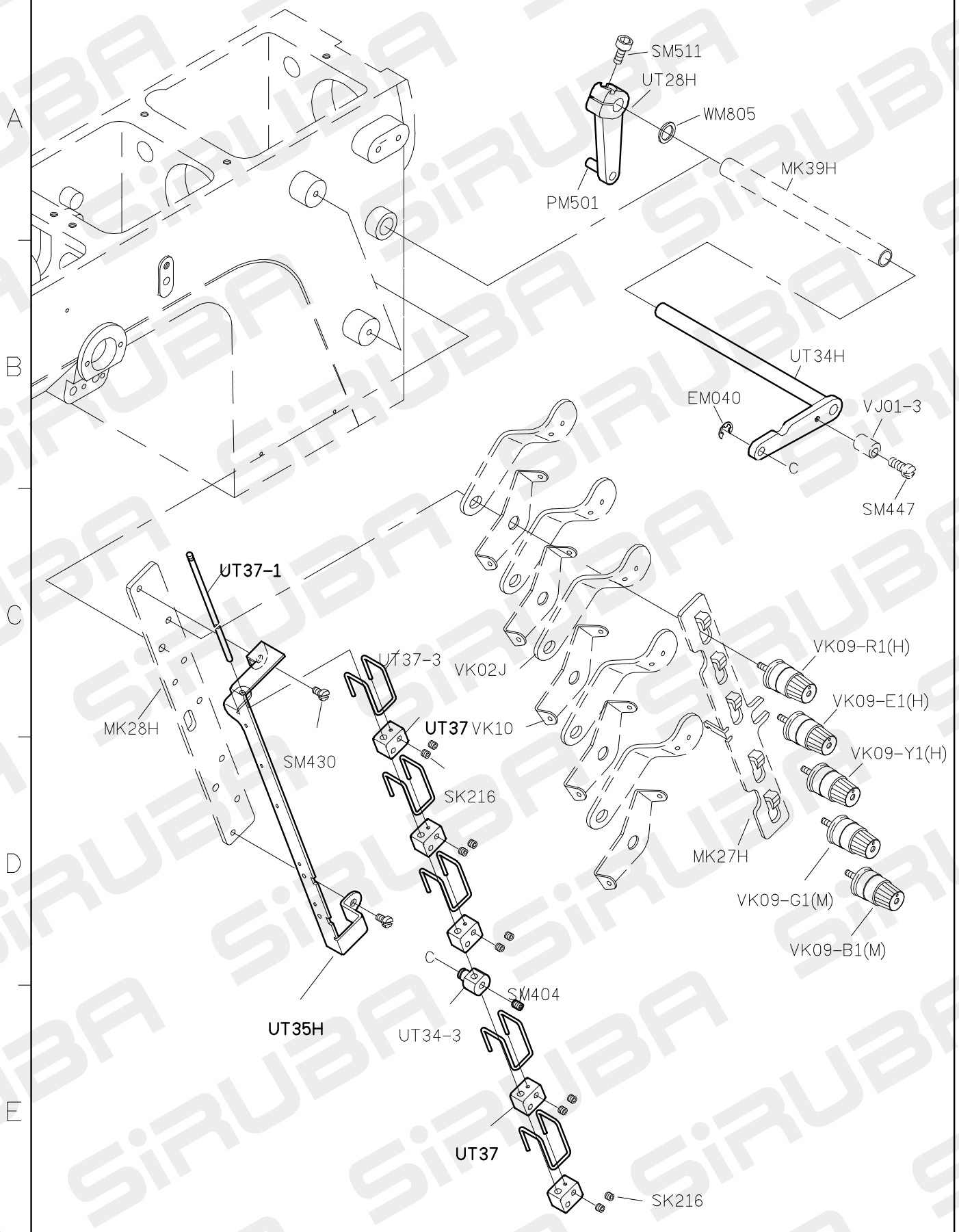
F007JD PARTS LIST FOR WP GROUP P.1/2



FOR F007J/F007JD/C007J/C007JD/S007K/S007KD
 FOR F858J/F858JD/C858J/C858JD

10/07/01

F007JD PARTS LIST FOR WP GROUP P.2/2



1 FOR F007J/F007JD/C007J/C007JD/S007K/S007KD
 2 FOR F858J/F858JD/C858J/C858JD
 3

4
 5 10/07/01