

HF008 四針平車規格件表/CONVERSION CHART

P1

機 型 MODEL	規 格 SVB CLASS	種 類 NEEDLE GAUGE	針 座 NEEDLE HOLDER		針 板 NEEDLE PLATE	送 具 FEED DOG	押 具 PRESSER FOOT	針 棒 NEEDLE BAR	針 頂 NEEDLE GUARD	勾 針 LOOPER		勾針座 LOOPER HOLDER	針 號 NEEDLE
			A	B						針	針		
HF008-02/HHD	064	1/4"	M8003	M8003	E8003	D8003	P8023	VF12P	HC15Q	HE21Q	HE22Q	HE07C	YXX128GAS #14~#16
HF008-03/HHD	064	1/4"	M8003	M8003	E8003	D8003	P8023	VF12P	HC15Q	HE21Q	HE22R HE22Q	HE07C	TVX5 #14~#16
HF008-03/HTF	064	1/4"	M8003	M8003	E8003	D8003	P8003	VF12P	HC15Q	HE21Q	HE22R HE22Q	HE07C	TVX5 #18~#21
HF008-0464	254	1/4"-1"-1/4"	M8104	M8104	E8104	D8104	P8104	VF12F	HC15	HE21*2	HE22*2	HE07D	TVX5 #18~#21
HF008-0464 /HPR	254	1/4"-1"-1/4"	M8104	M8104	E8104	D8104	P8104	VF12F	HC15	HE21*2	HE22*2	HE07D	TVX5 #18~#21
HF008-0464 /HAC	254	1/4"-1"-1/4"	M8104	M8104	E8104	D8104	P8104	VF12F	HC15	HE21*2	HE22*2	HE07D	TVX5 #18~#21
HF008-02/FBQ	056	7/32"	M5356	M5356	E4001 E1836Q	D1836Q H1836Q	P4000-A P4002-A	VF12P	FBQ89	ME28	/	FBQ75	YXX128GAS #14
HF008-02/FBQ	064	1/4"	M5364	M5364	E4001 E1837Q	D1836Q H1836Q	P4001-A P4002-A	VF12P	FBQ89	ME28	/	FBQ75	YXX128GAS #14
HF008-02/FBQ /TC	056	7/32"	M5356	M5356	E4001 E1836Q	D1836Q H1836Q	P4000-A P4002-A	VF12P	FBQ89	ME28	/	FBQ75	YXX128GAS #14
HF008-02/FBQ /TC	064	1/4"	M5364	M5364	E4001 E1837Q	D1836Q H1836Q	P4001-A P4002-A	VF12P	FBQ89	ME28	/	FBQ75	YXX128GAS #14

PARTS LIST FOR FBQ GROUP P.1/7

成品尺寸	喇叭代號	適用處
(mm)	FBQ14A	男女西服
	FBQ14B	
	FBQ14C	牛仔布類

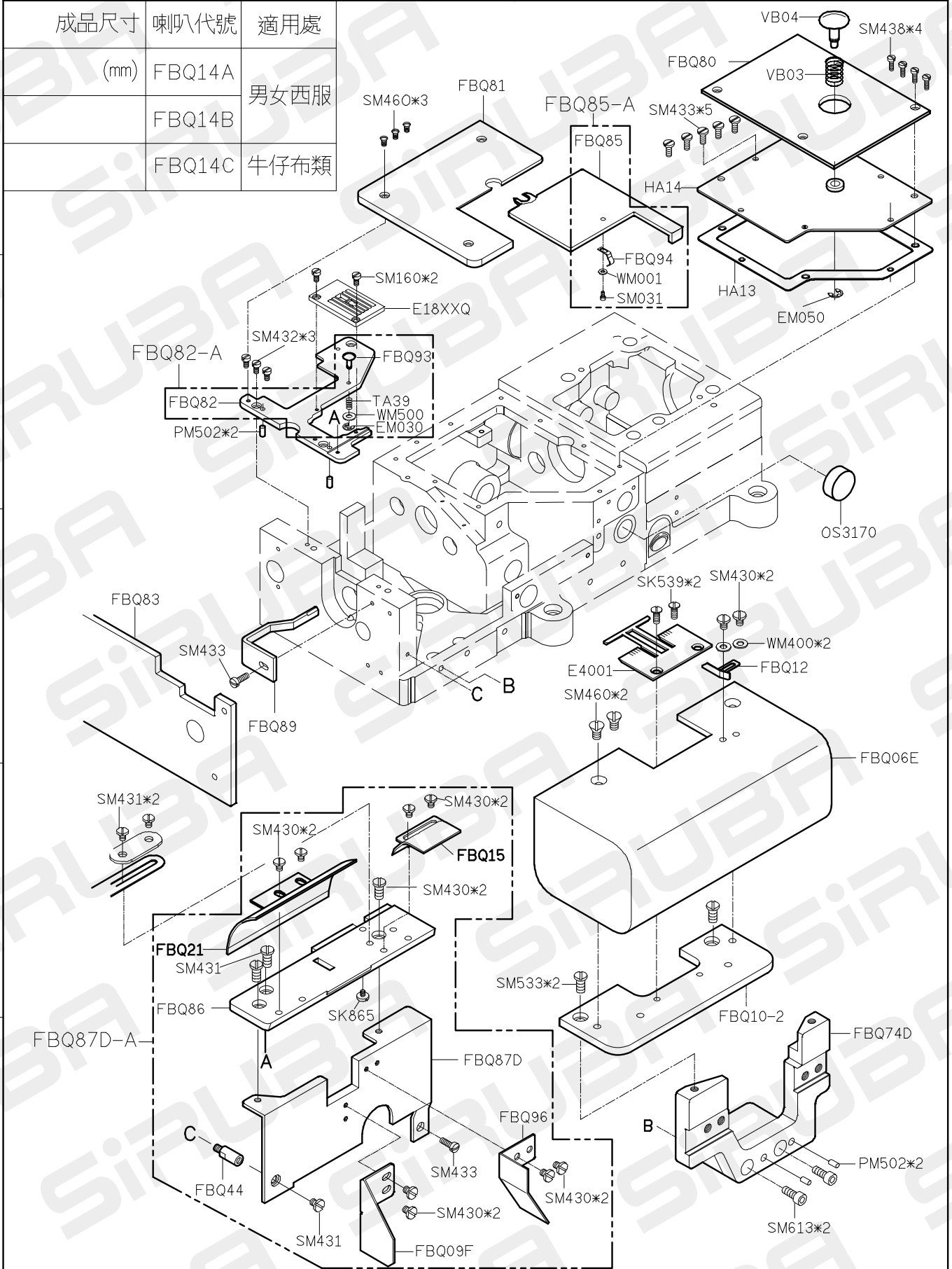
A

B

C

D

E



PARTS LIST FOR FBQ GROUP P.2/7

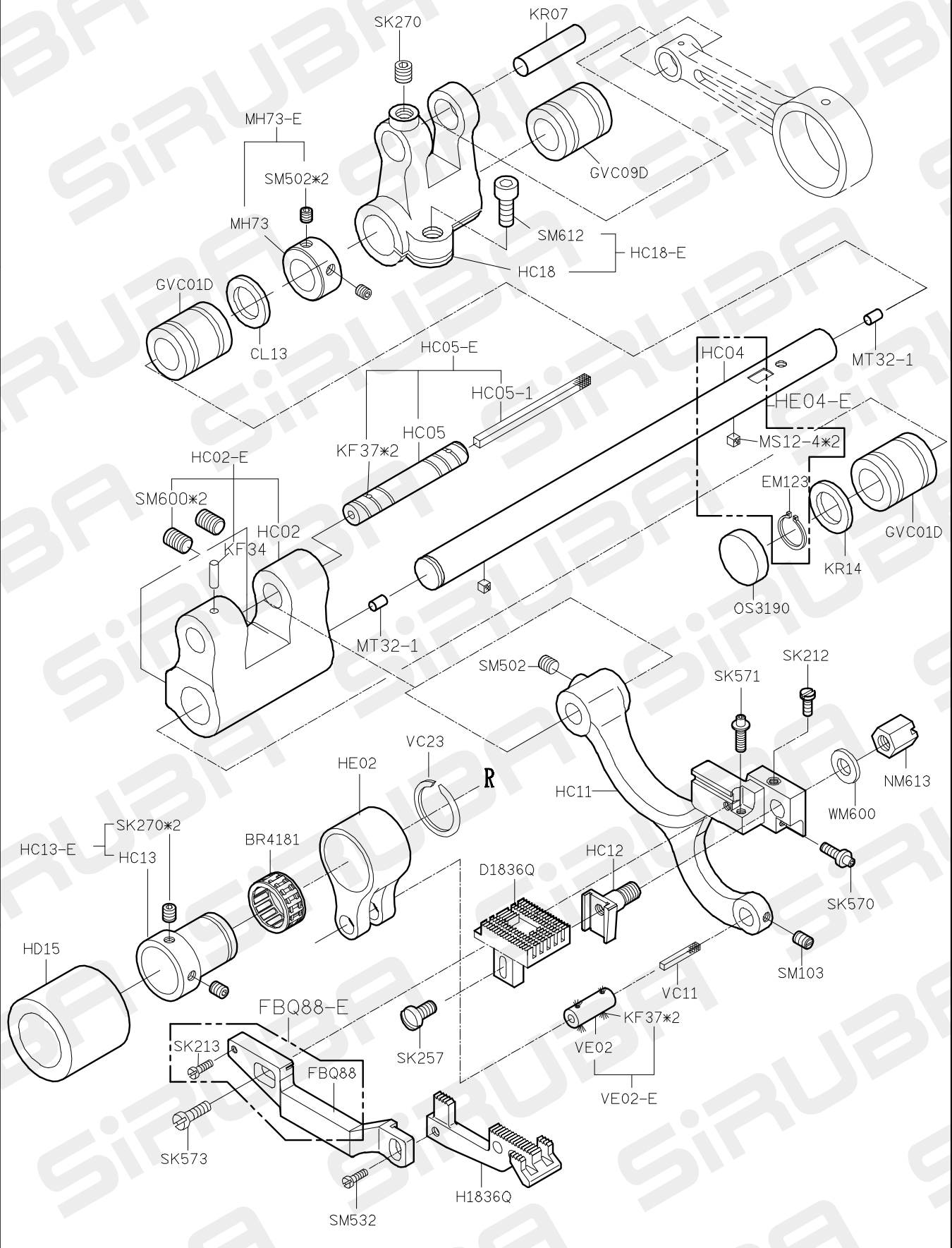
A

B

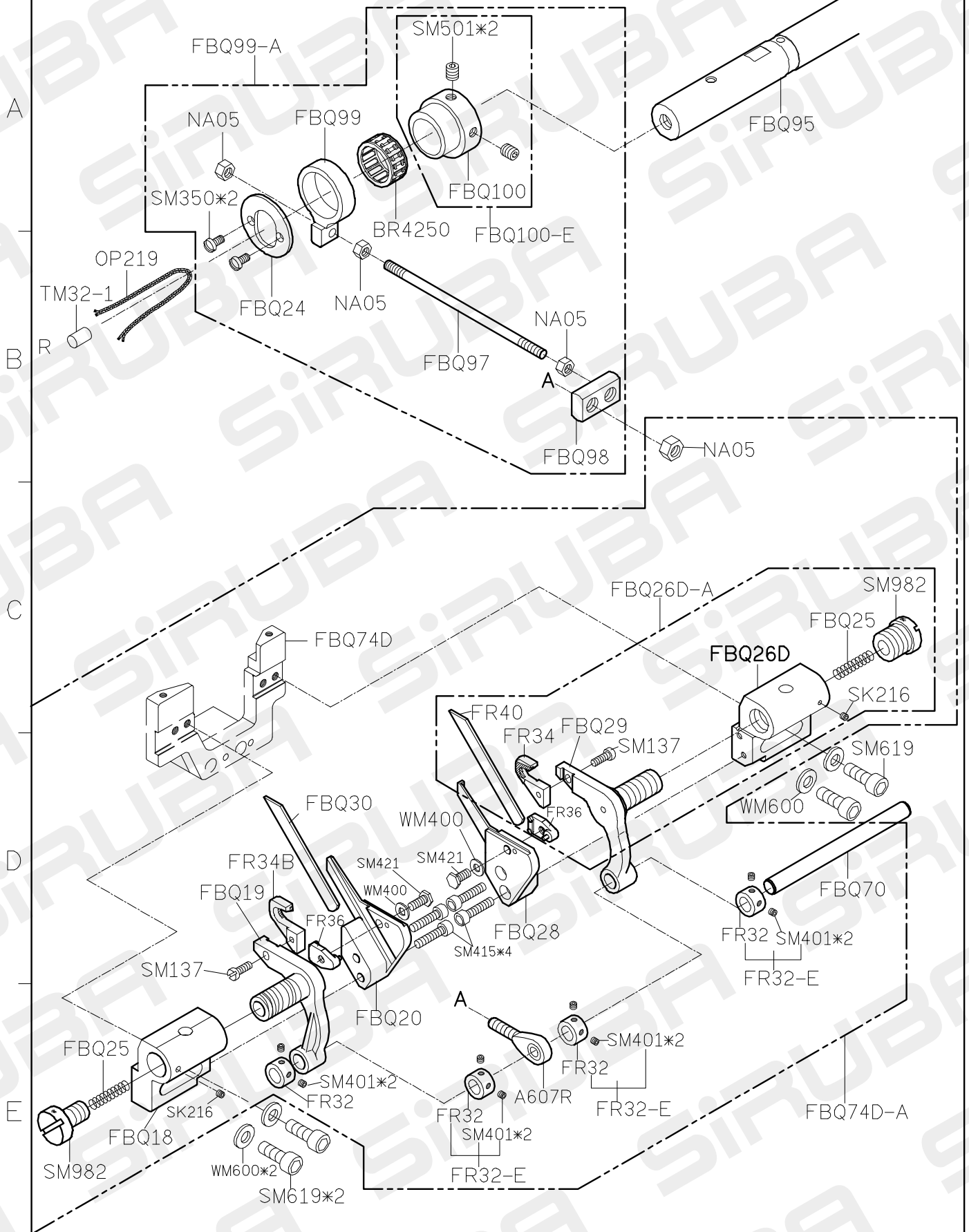
C

D

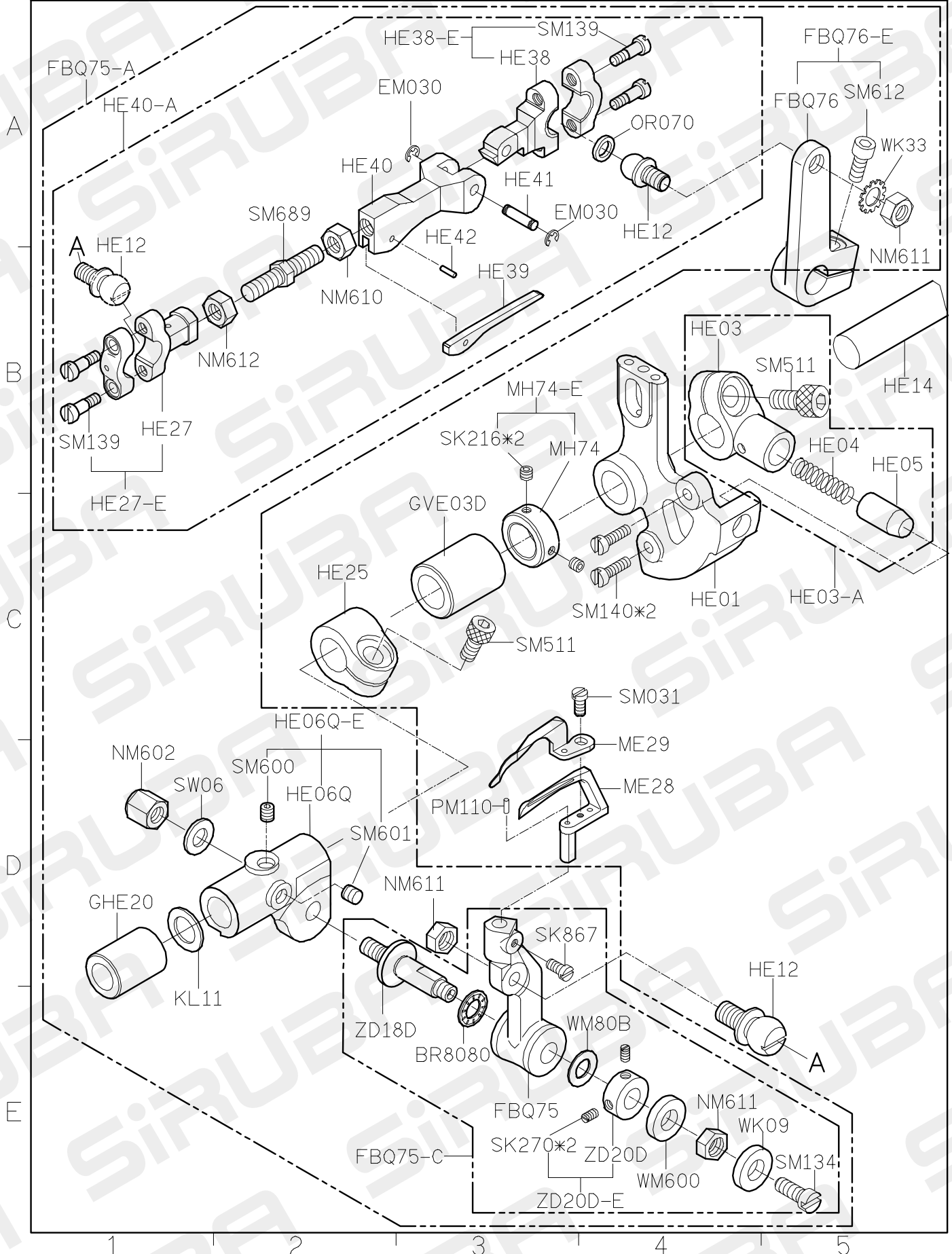
E



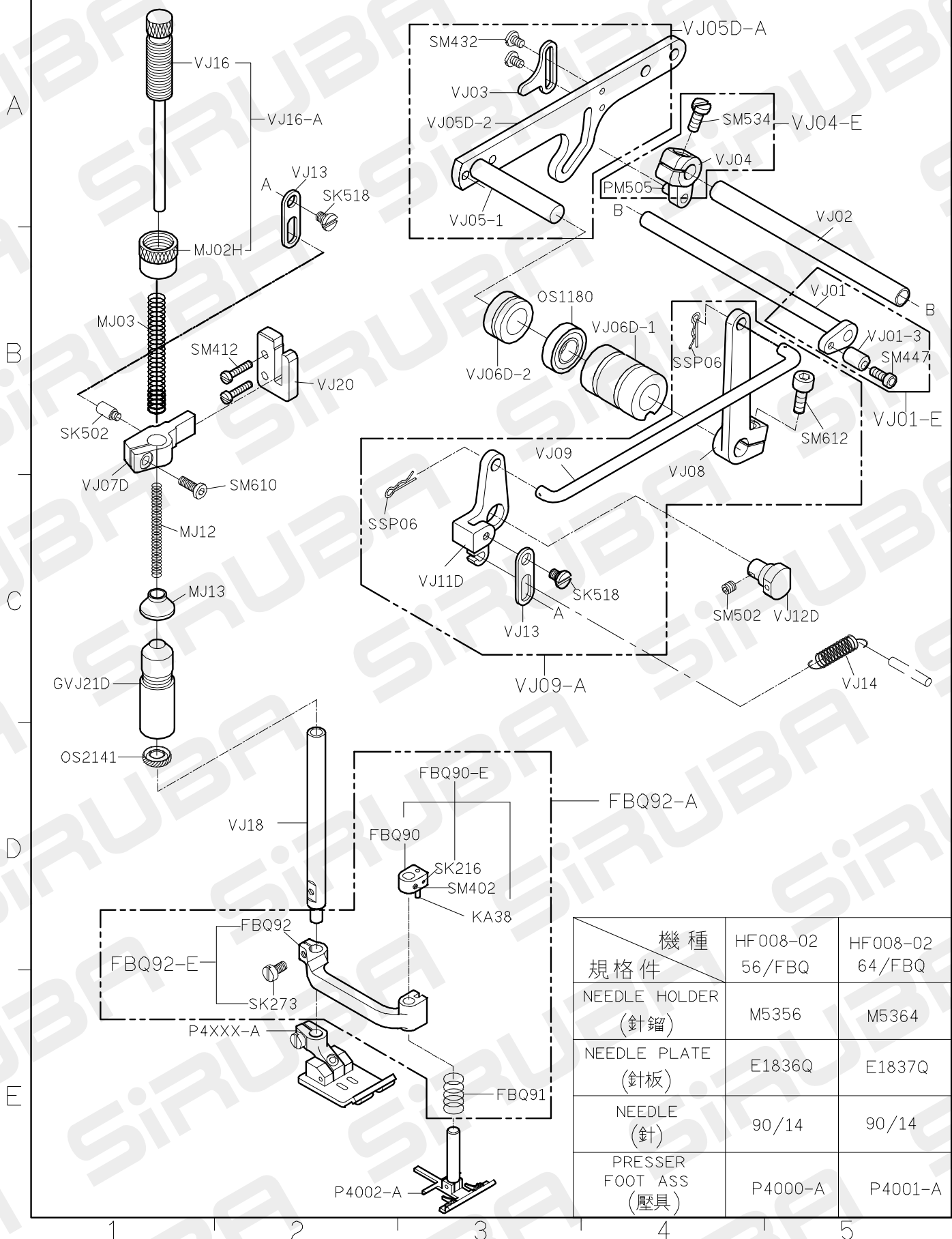
PARTS LIST FOR FBQ GROUP P.3/7



PARTS LIST FOR FBQ GROUP P.4/7



PARTS LIST FOR FBQ GROUP P.5/7

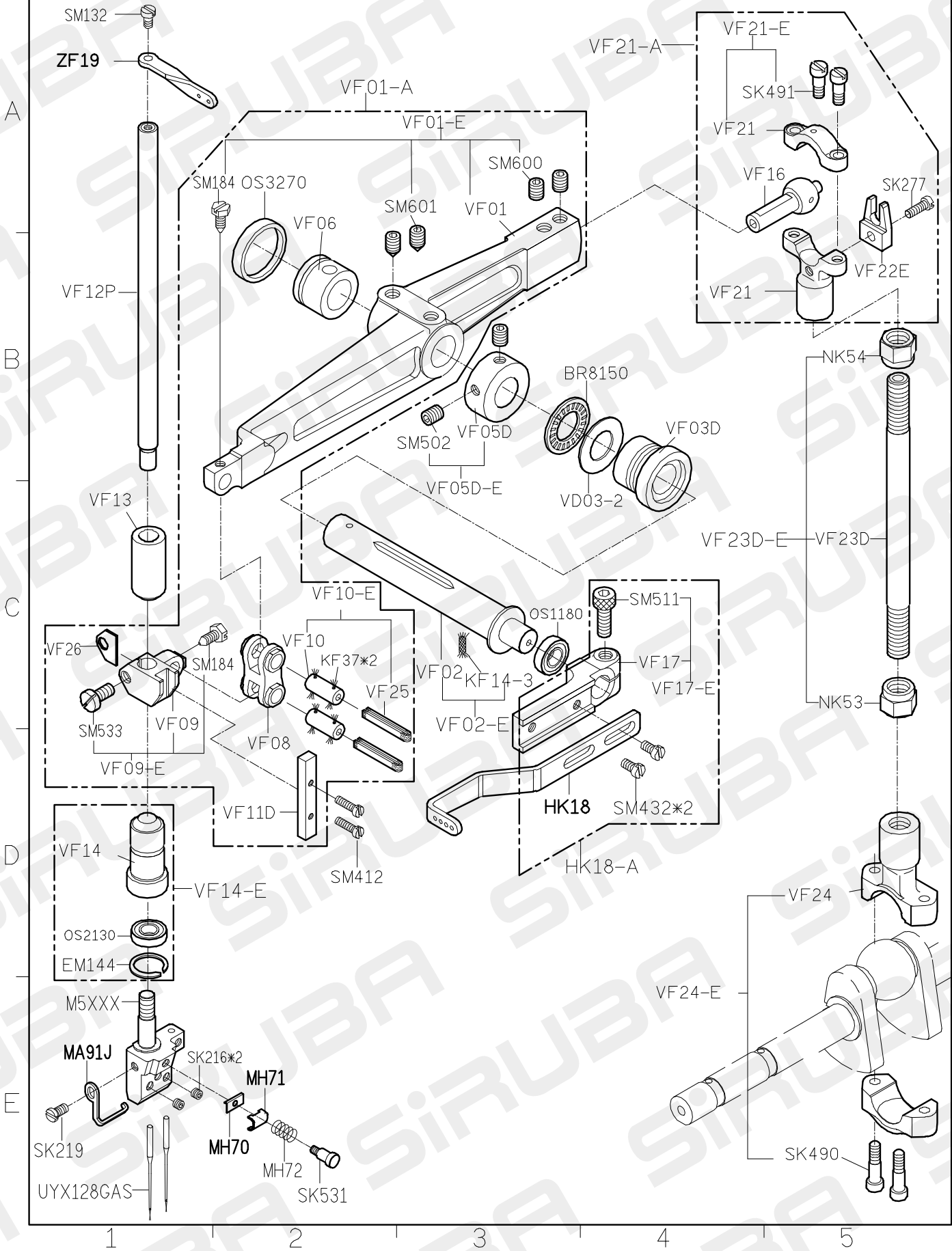


機種	HF008-02	HF008-02
規格件	56/FBQ	64/FBQ
NEEDLE HOLDER (針鐮)	M5356	M5364
NEEDLE PLATE (針板)	E1836Q	E1837Q
NEEDLE (針)	90/14	90/14
PRESSER FOOT ASS (壓具)	P4000-A	P4001-A

FOR HF008

10/08/05

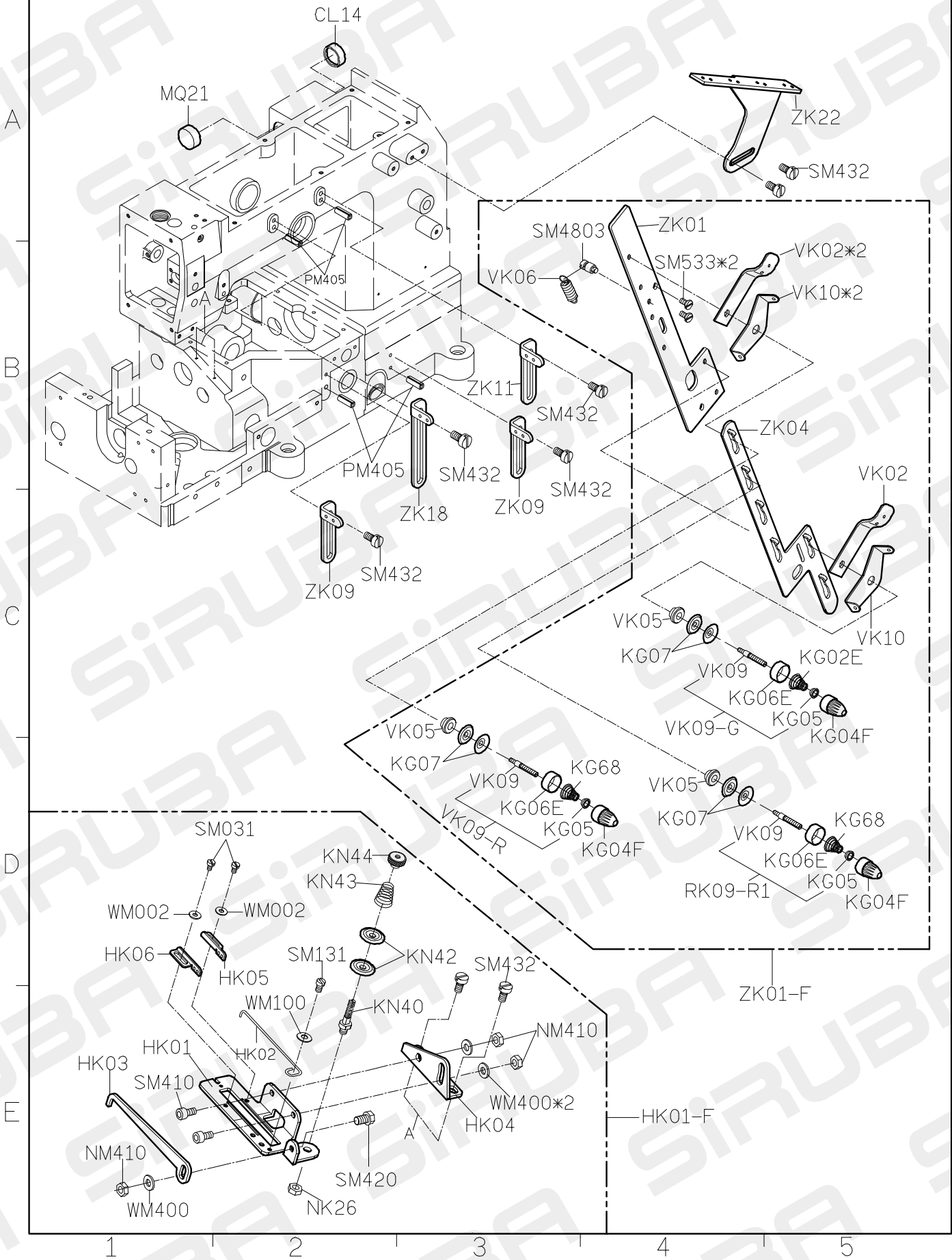
PARTS LIST FOR FBQ GROUP P.6/7



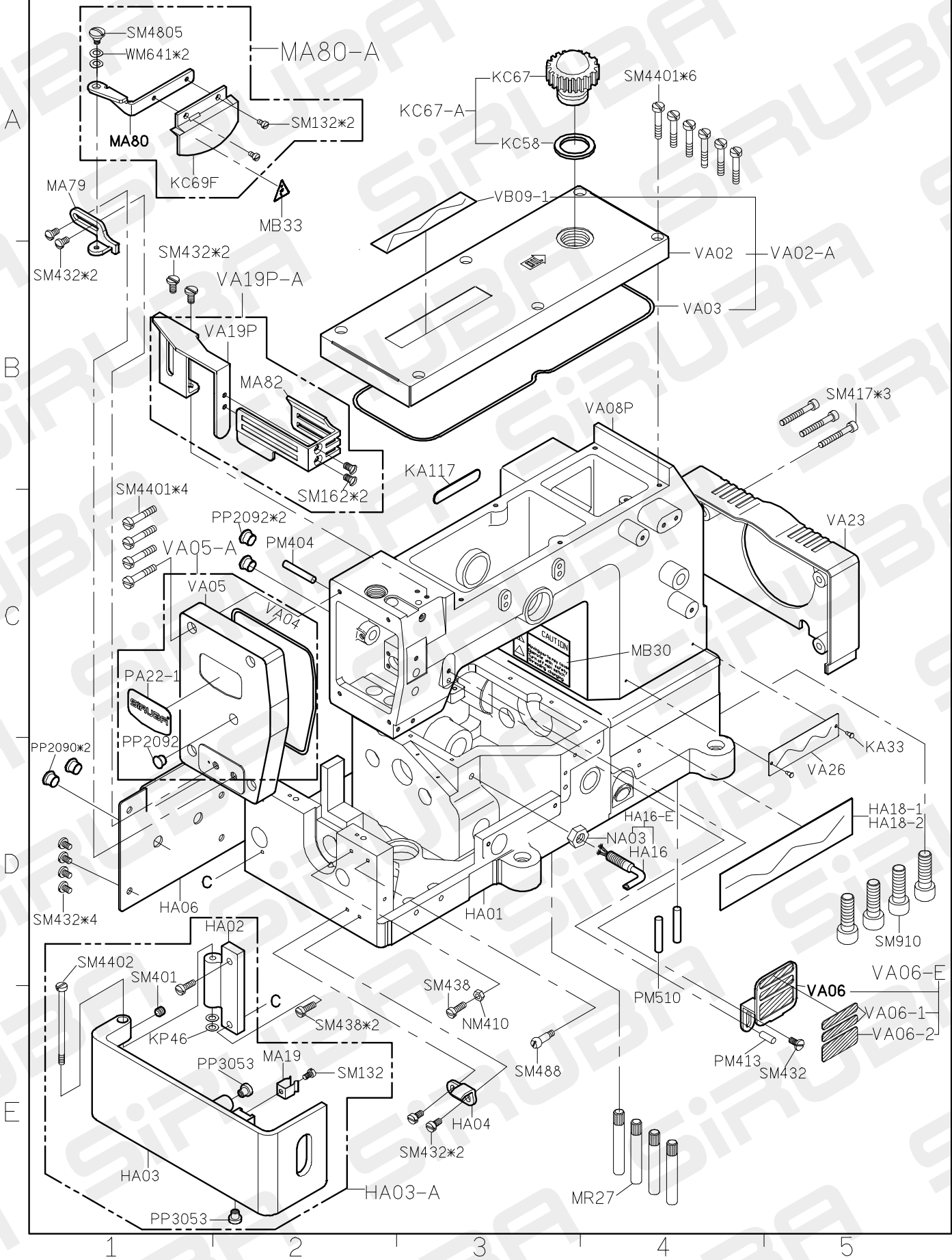
FOR HF008

10/08/05

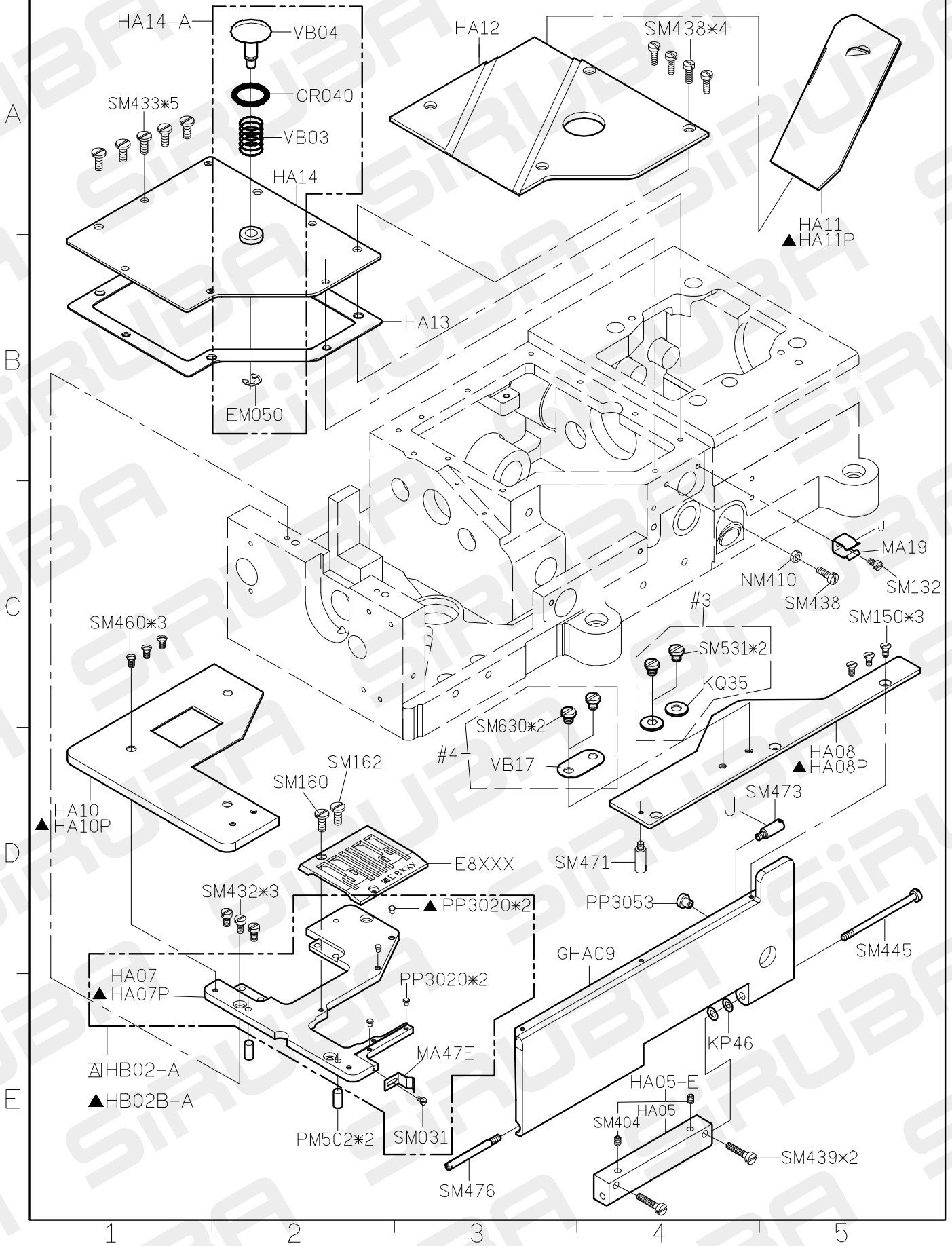
PARTS LIST FOR FBQ GROUP P.7/7



PARTS LIST FOR HA GROUP P.1/2



PARTS LIST FOR HA GROUP P.2/2



FOR HF008

10/08/05

PARTS LIST FOR HAC GROUP P.1/9

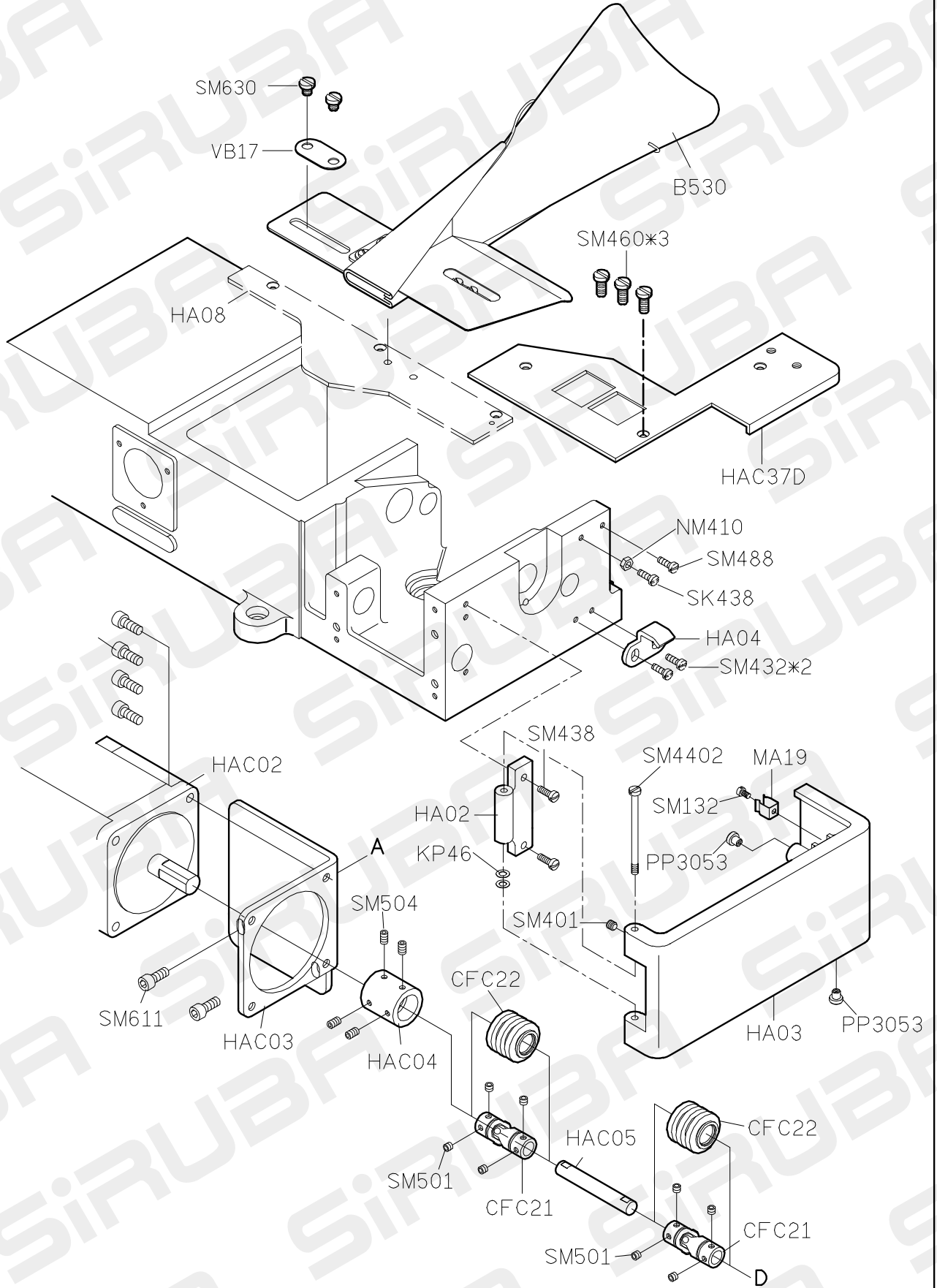
A

B

C

D

E



1

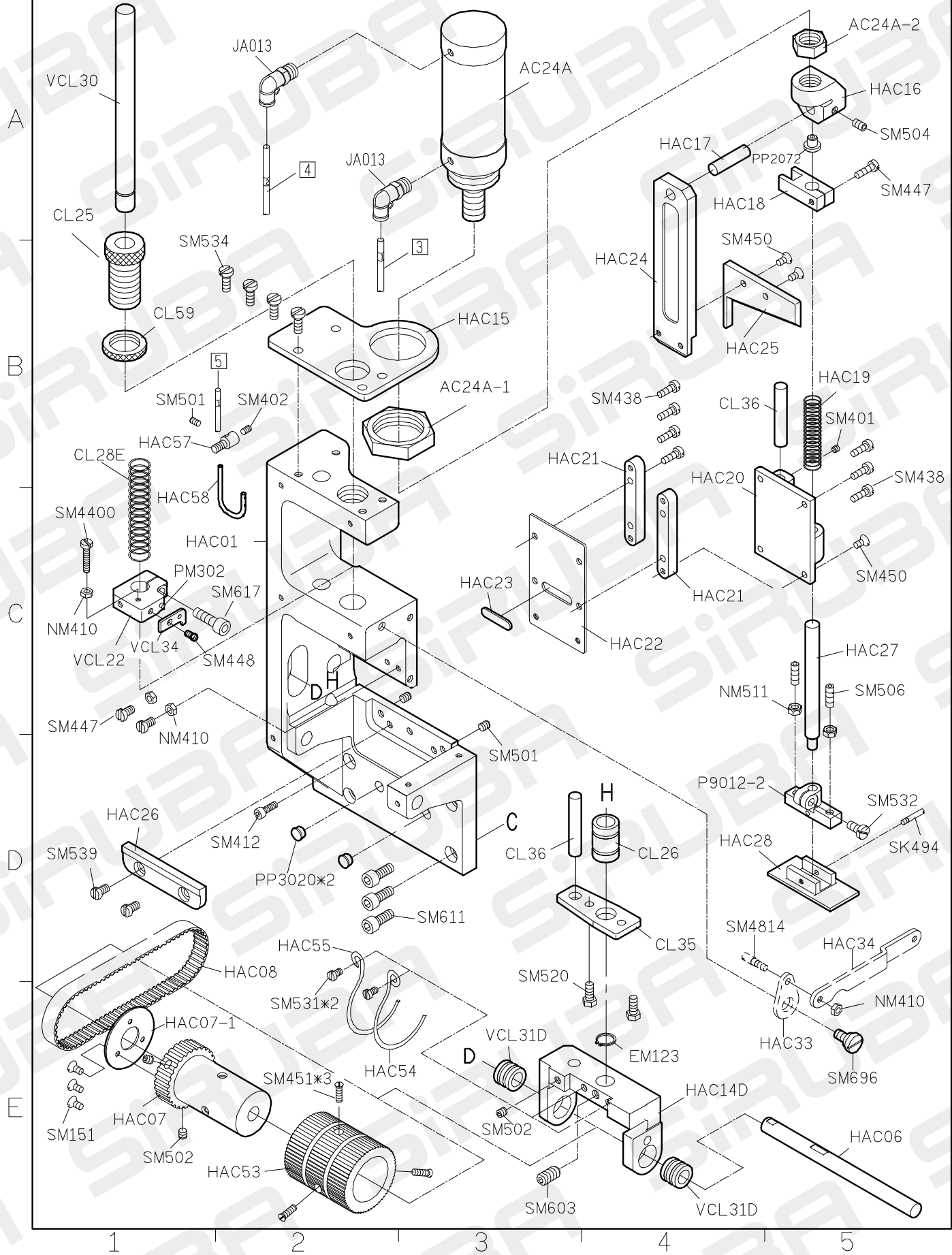
2

3

4

5

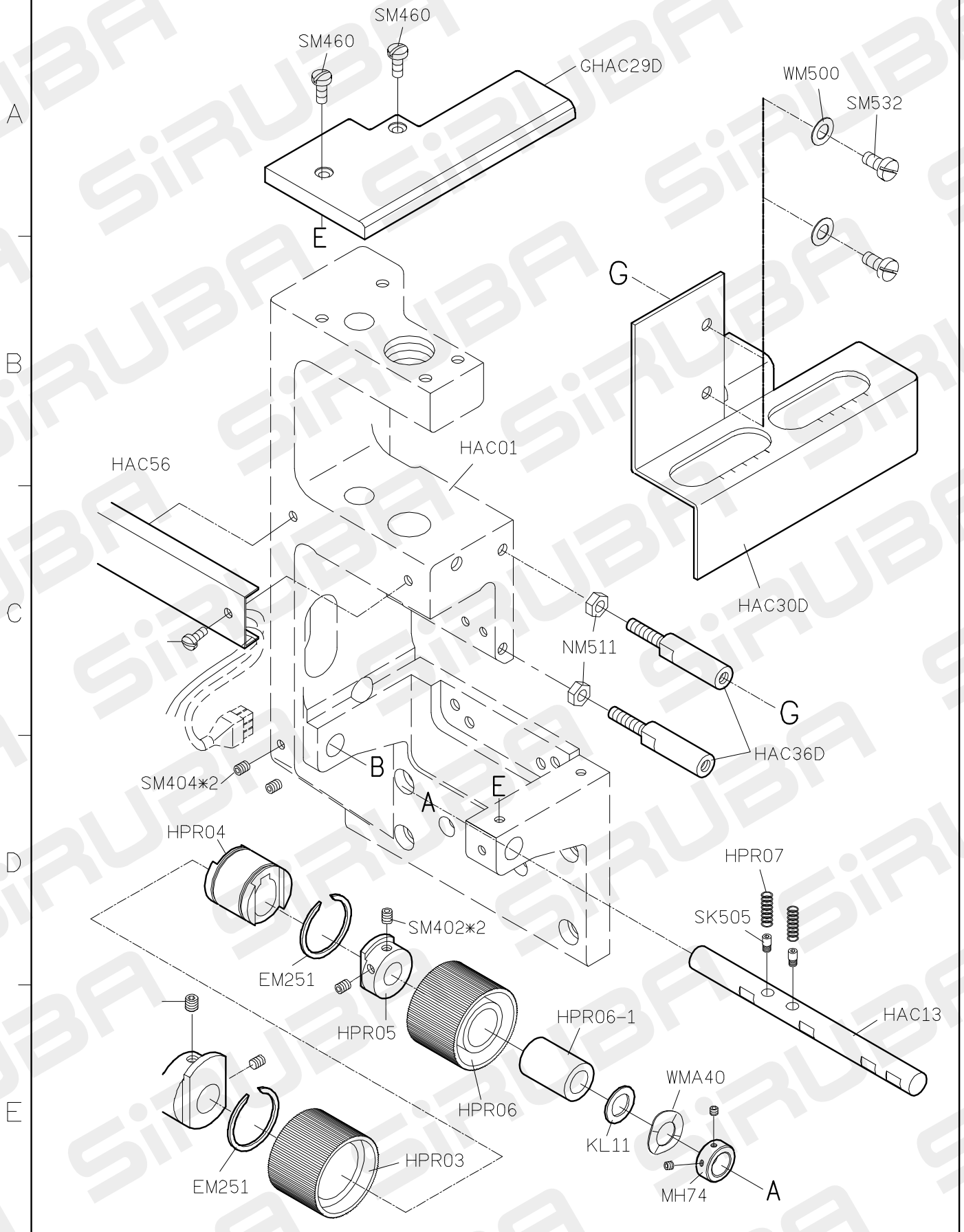
PARTS LIST FOR HAC GROUP P.2/9



FOR HF008

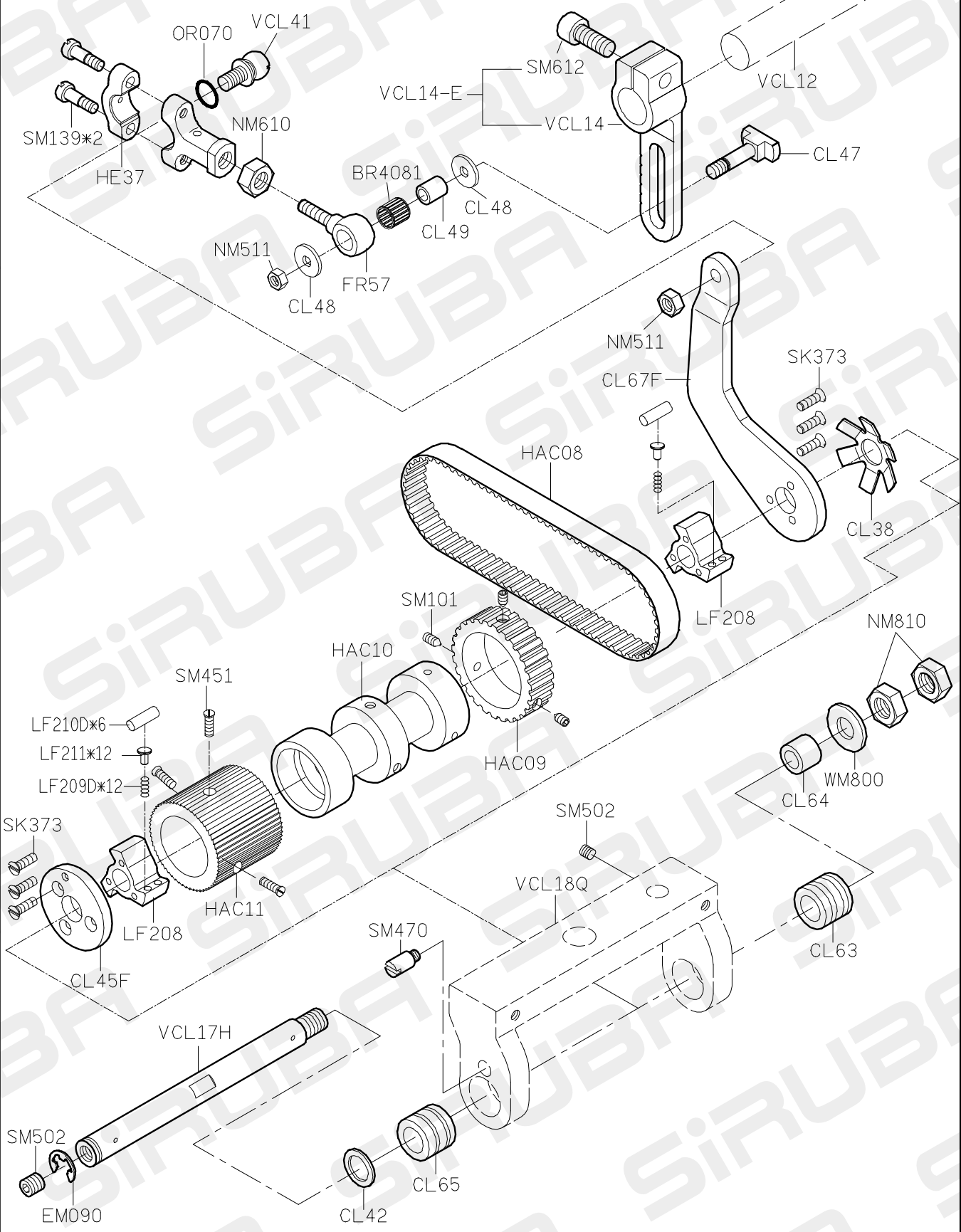
10/08/05

PARTS LIST FOR HAC GROUP P.3/9

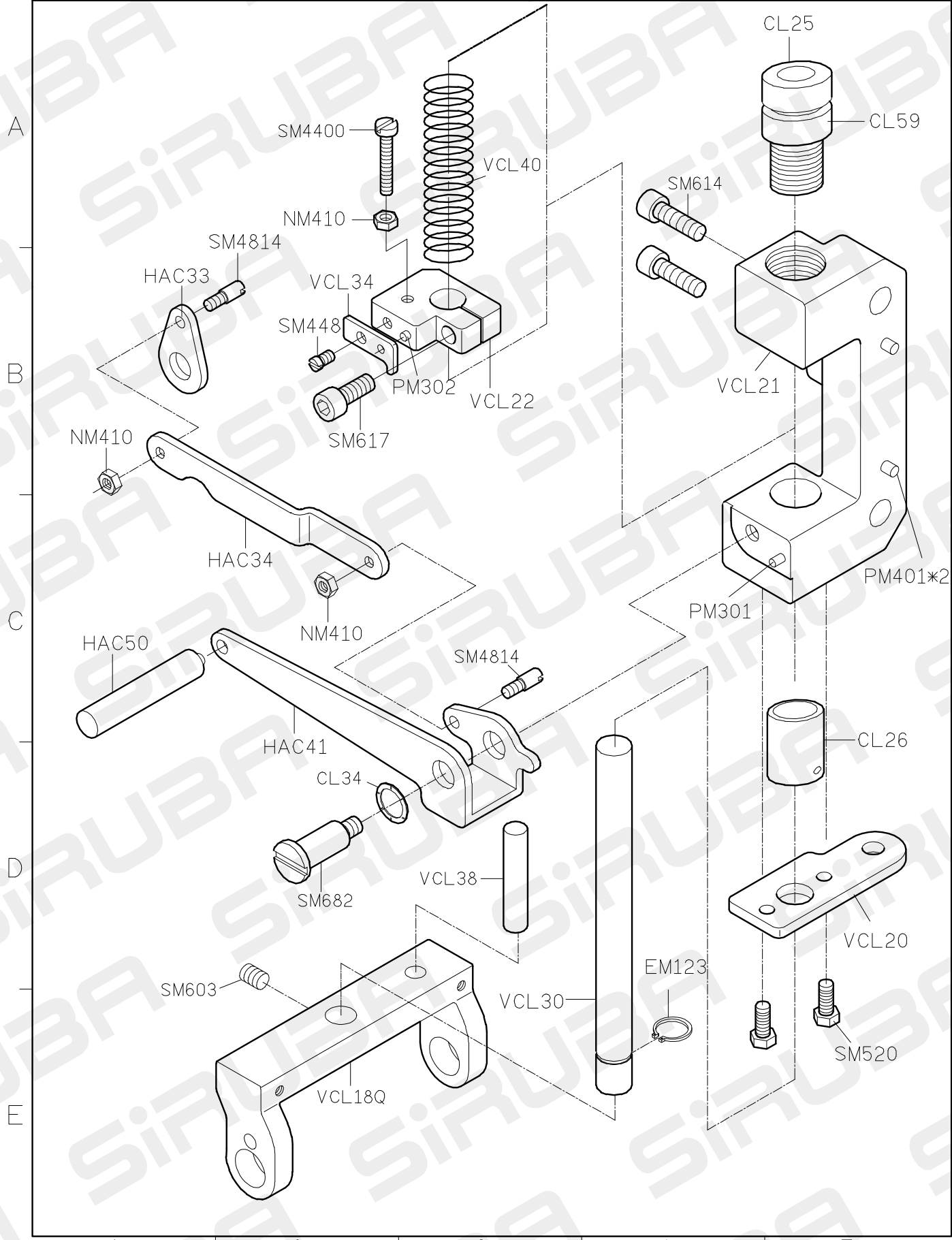


PARTS LIST FOR HAC GROUP P.4/9

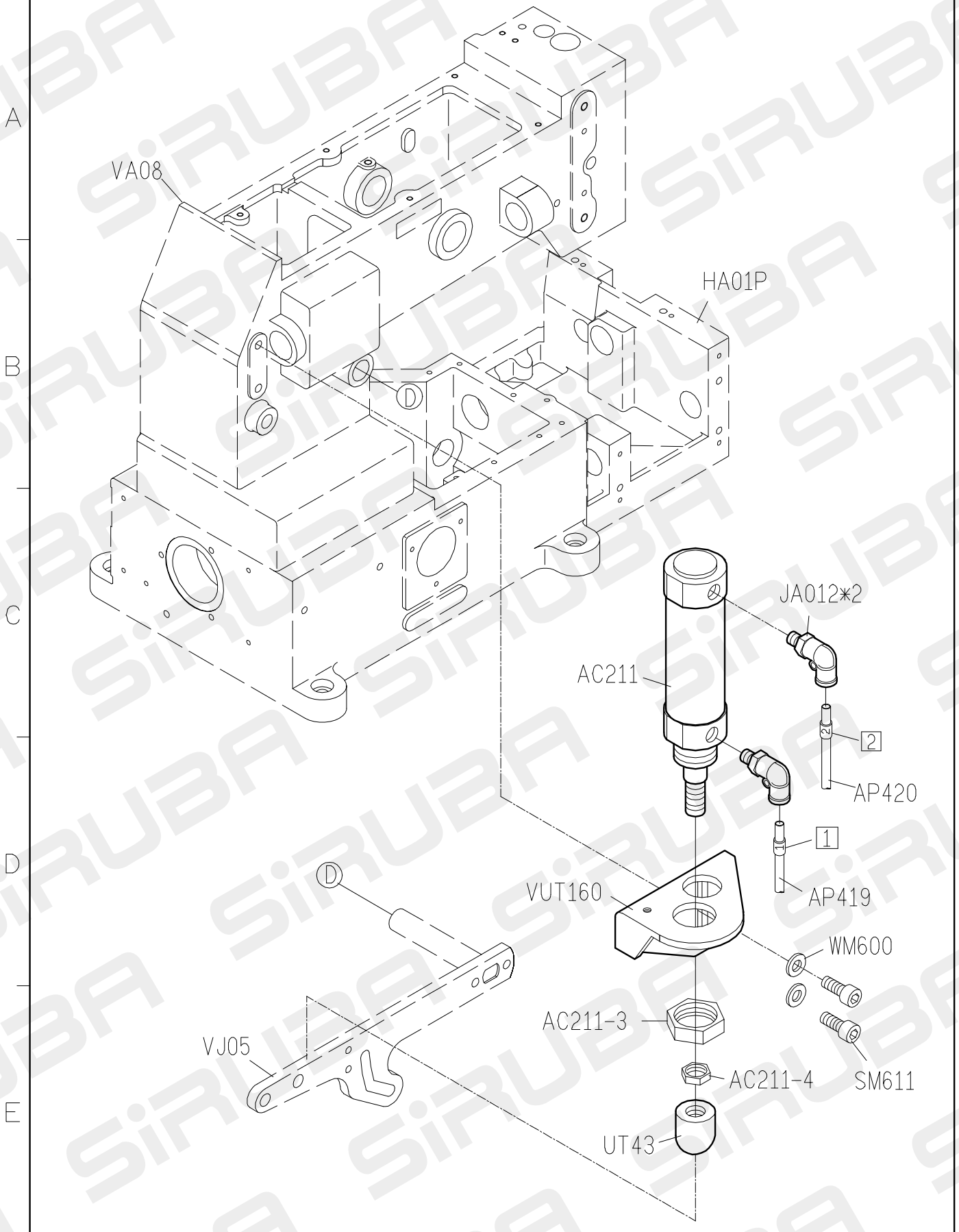
A
B
C
D
E



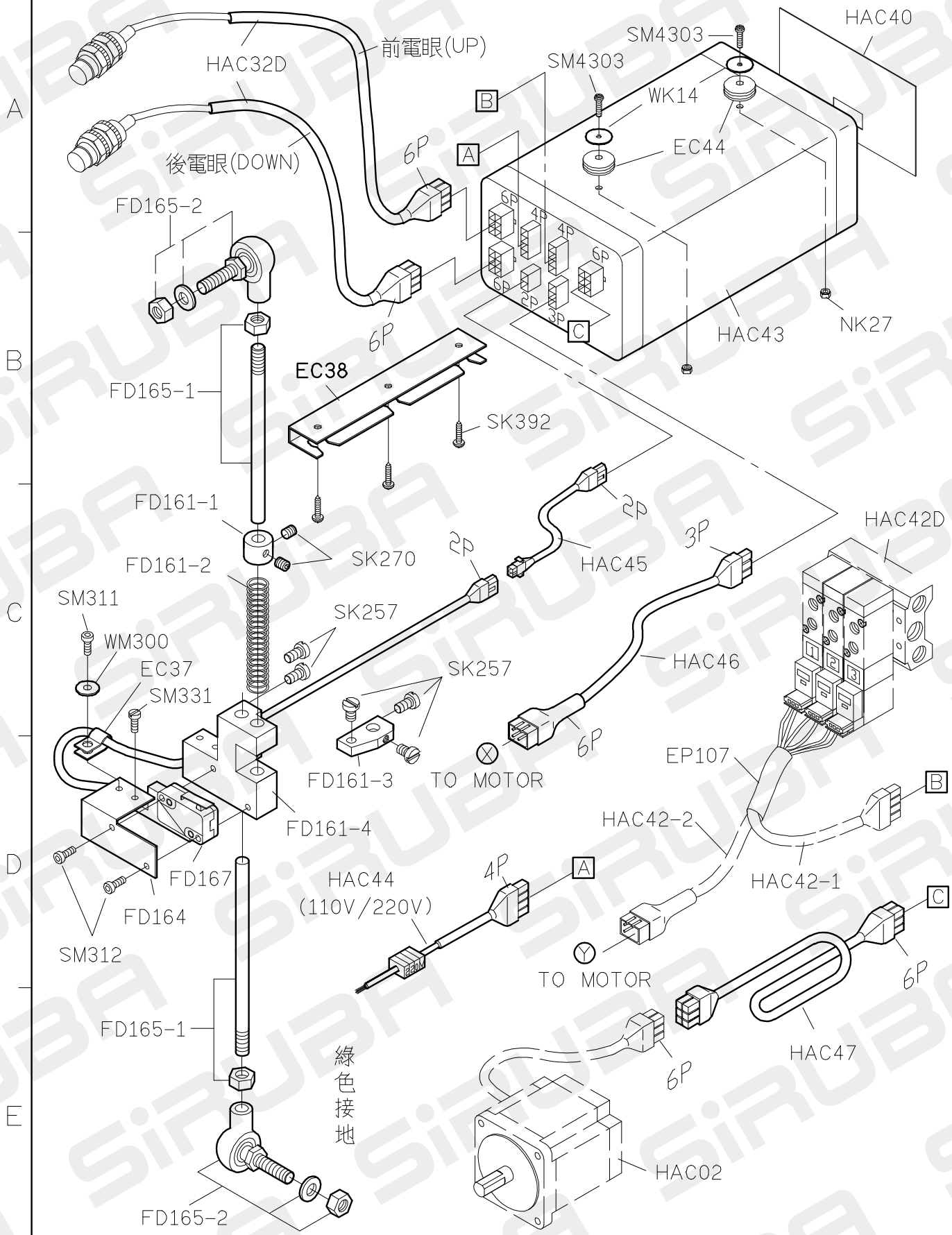
PARTS LIST FOR HAC GROUP P.5/9



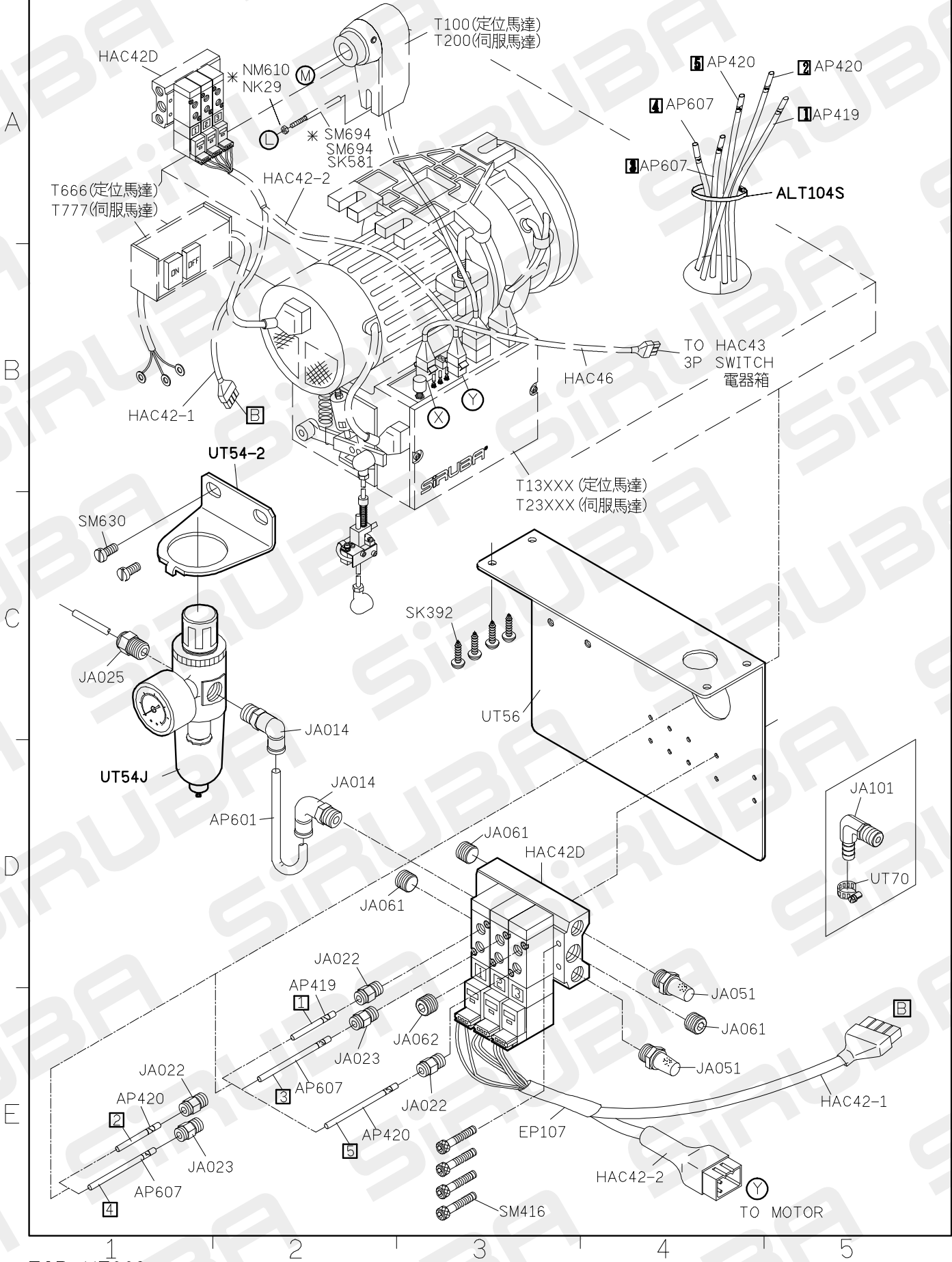
PARTS LIST FOR HAC GROUP P.6/9



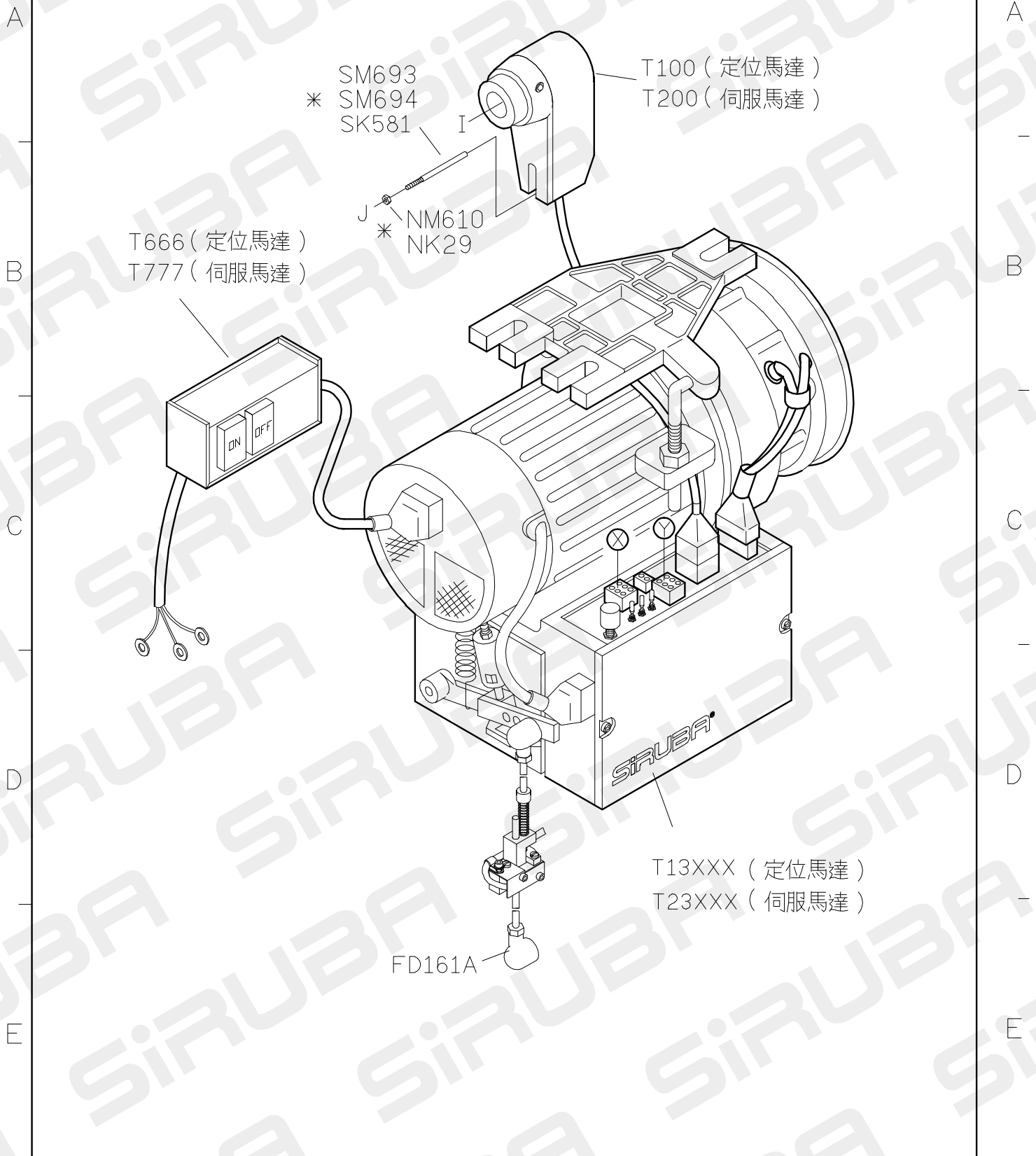
PARTS LIST FOR HAC GROUP P.7/9



PARTS LIST FOR HAC GROUP P.8/9

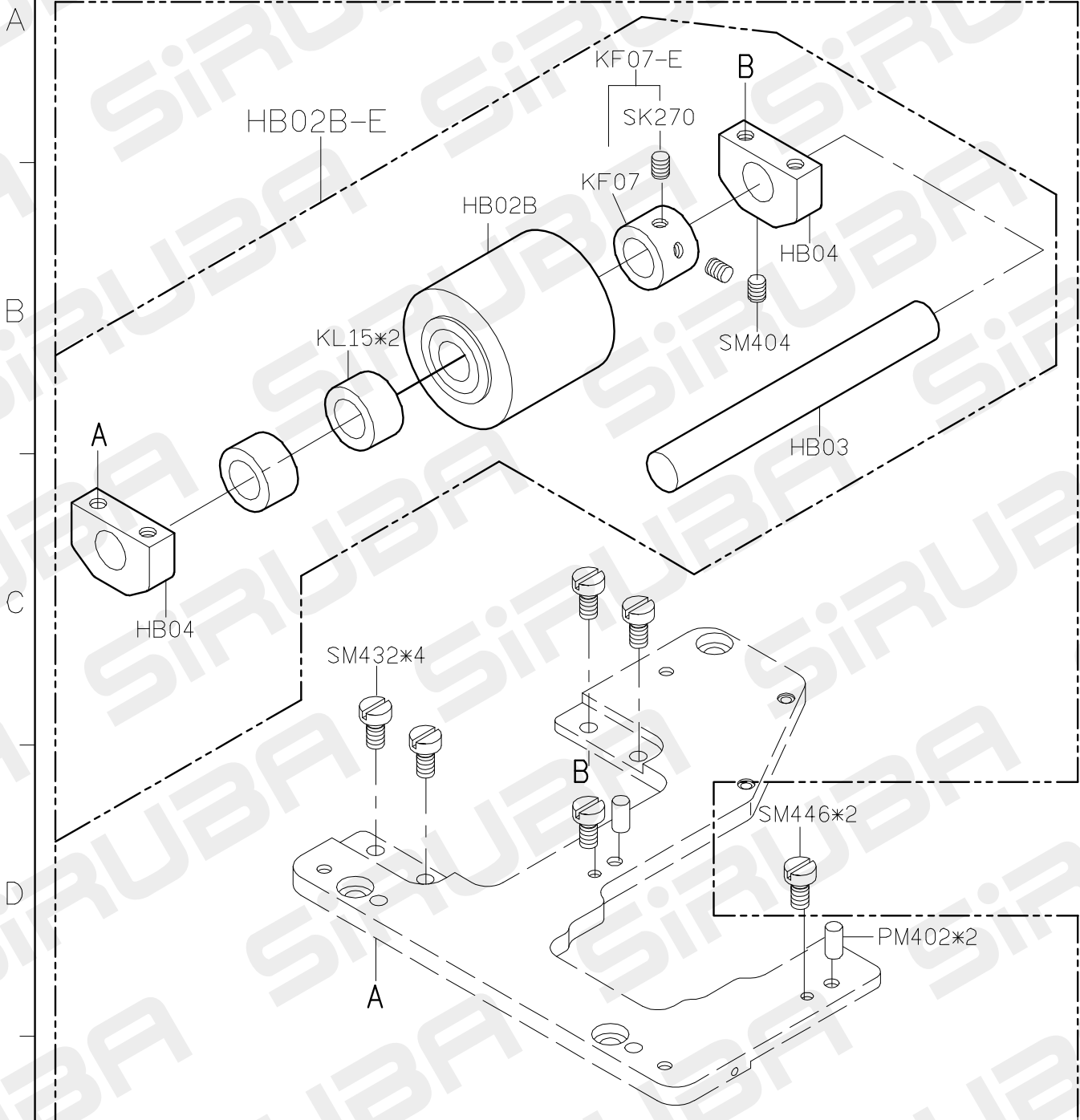


PARTS LIST FOR HAC GROUP P.9/9



PARTS LIST FOR HB GROUP P.1/2

(FOR 2.3 NEEDLE USE)



A + B = HB02B-A

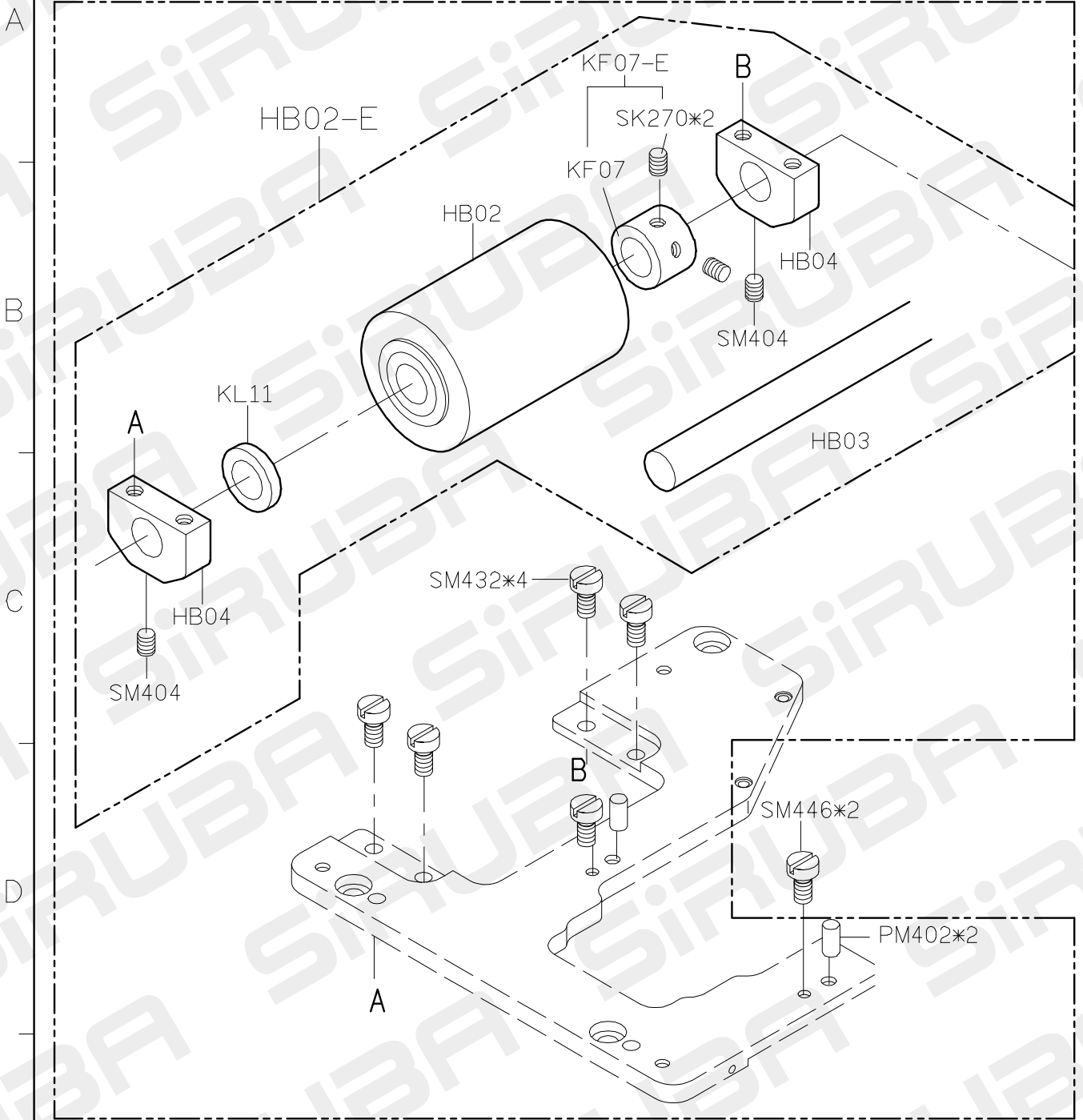
HA
系列
2

HB
系列
1

HB02B-A

PARTS LIST FOR HB GROUP P.2/2

(FOR 4 NEEDLE USE)



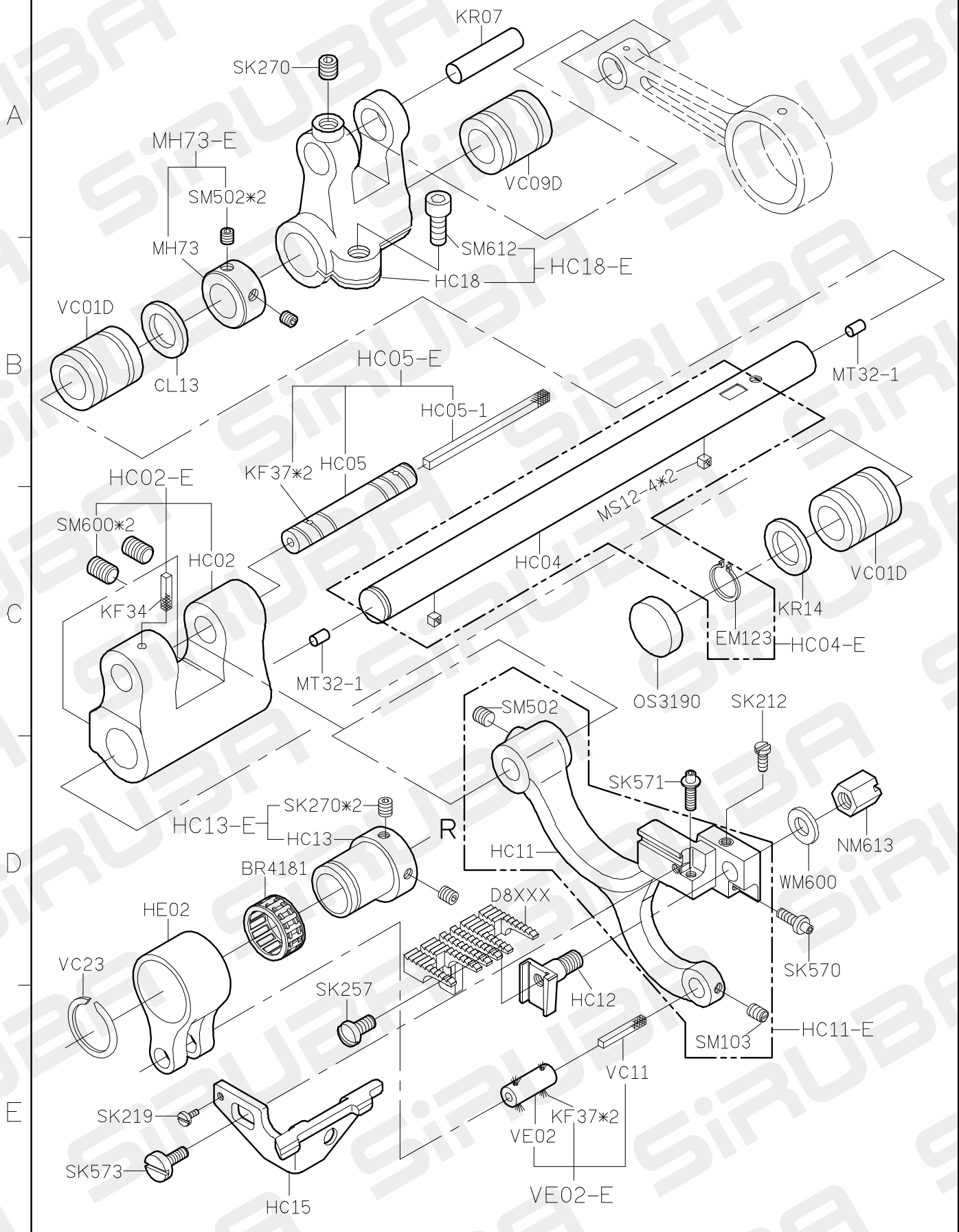
[A] + [B] = HB02-A

HA
系列
2

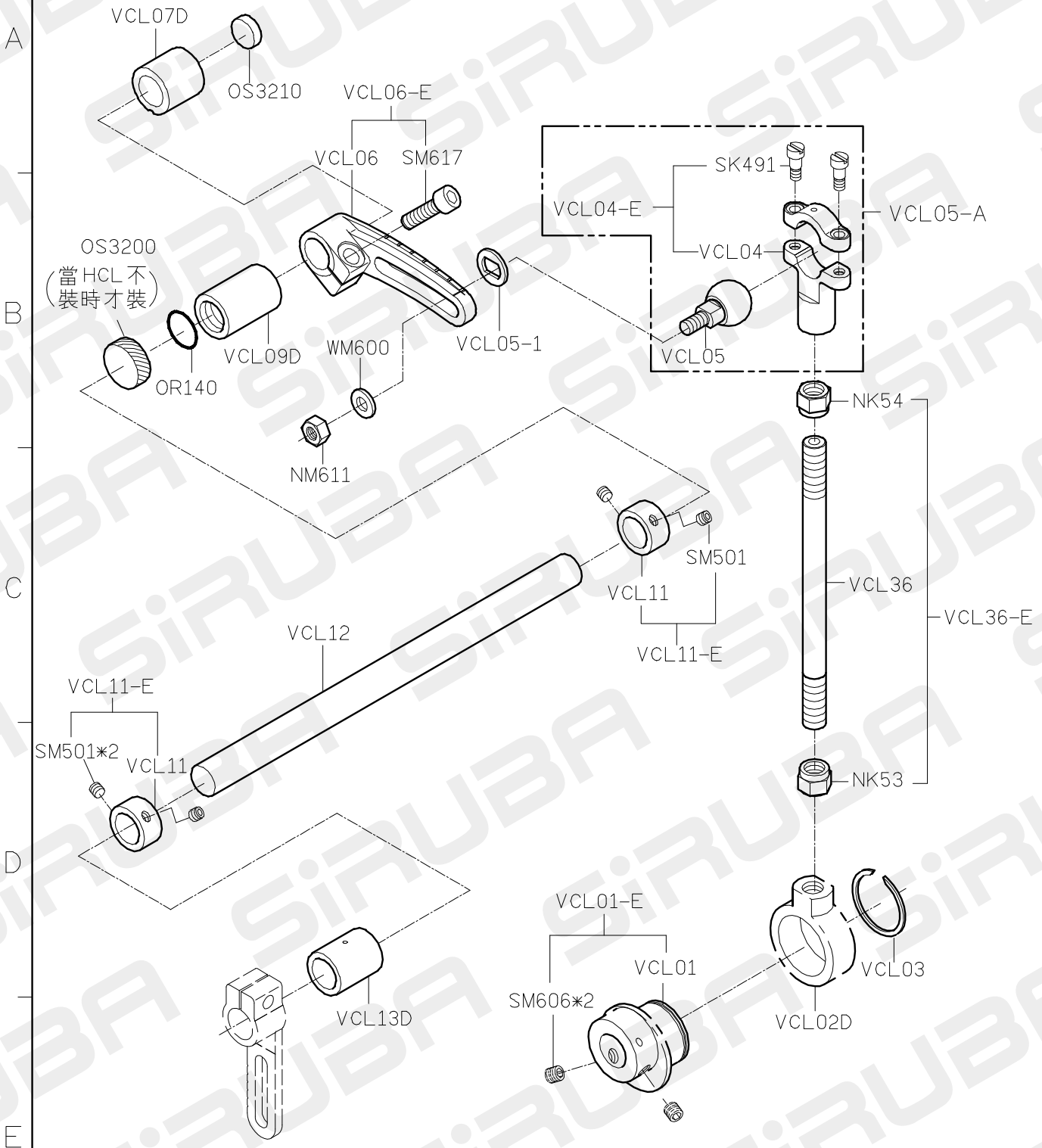
HB
系列
2

HB02-A

PARTS LIST FOR HC GROUP P.1/1

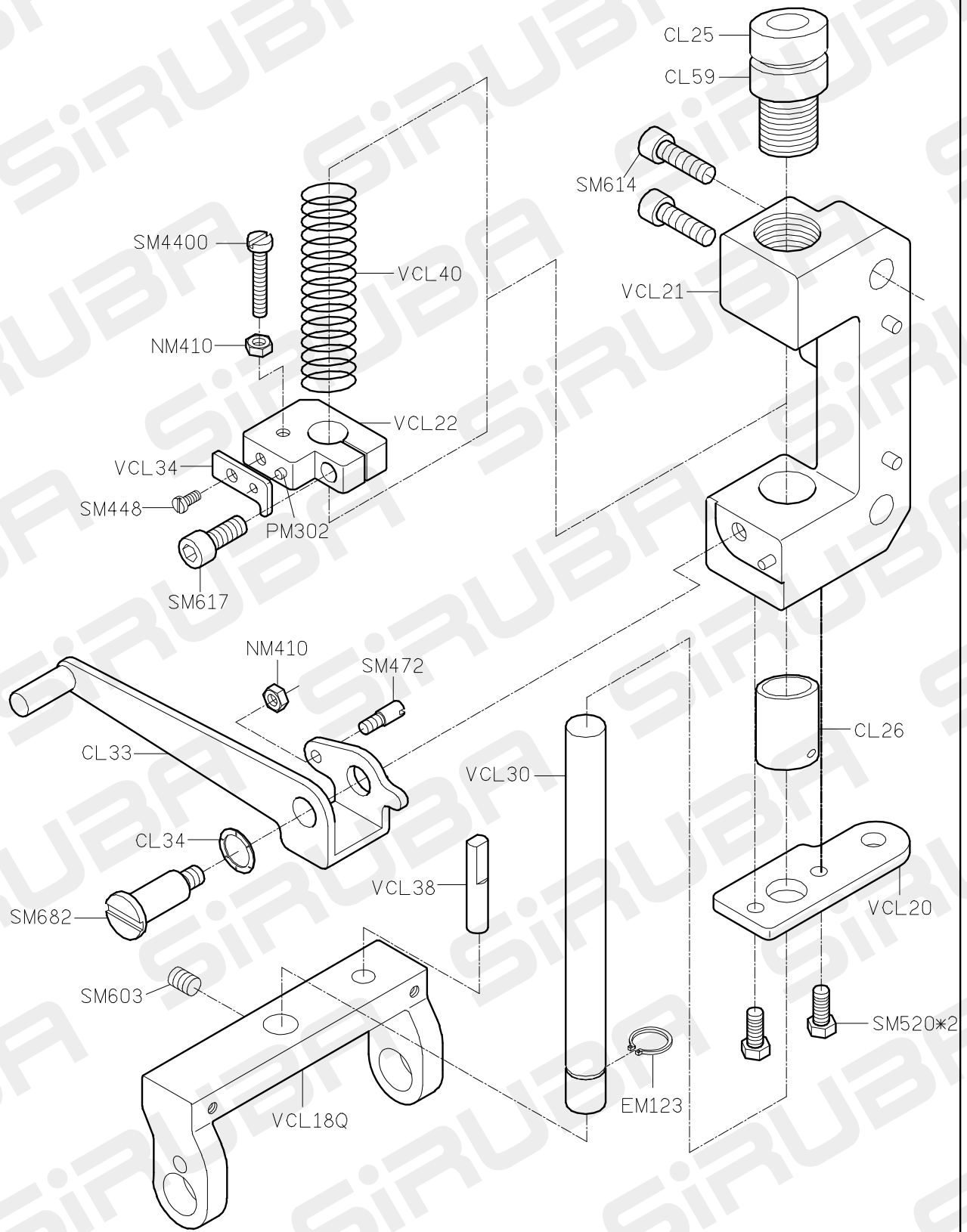


PARTS LIST FOR HCL GROUP P.1/3

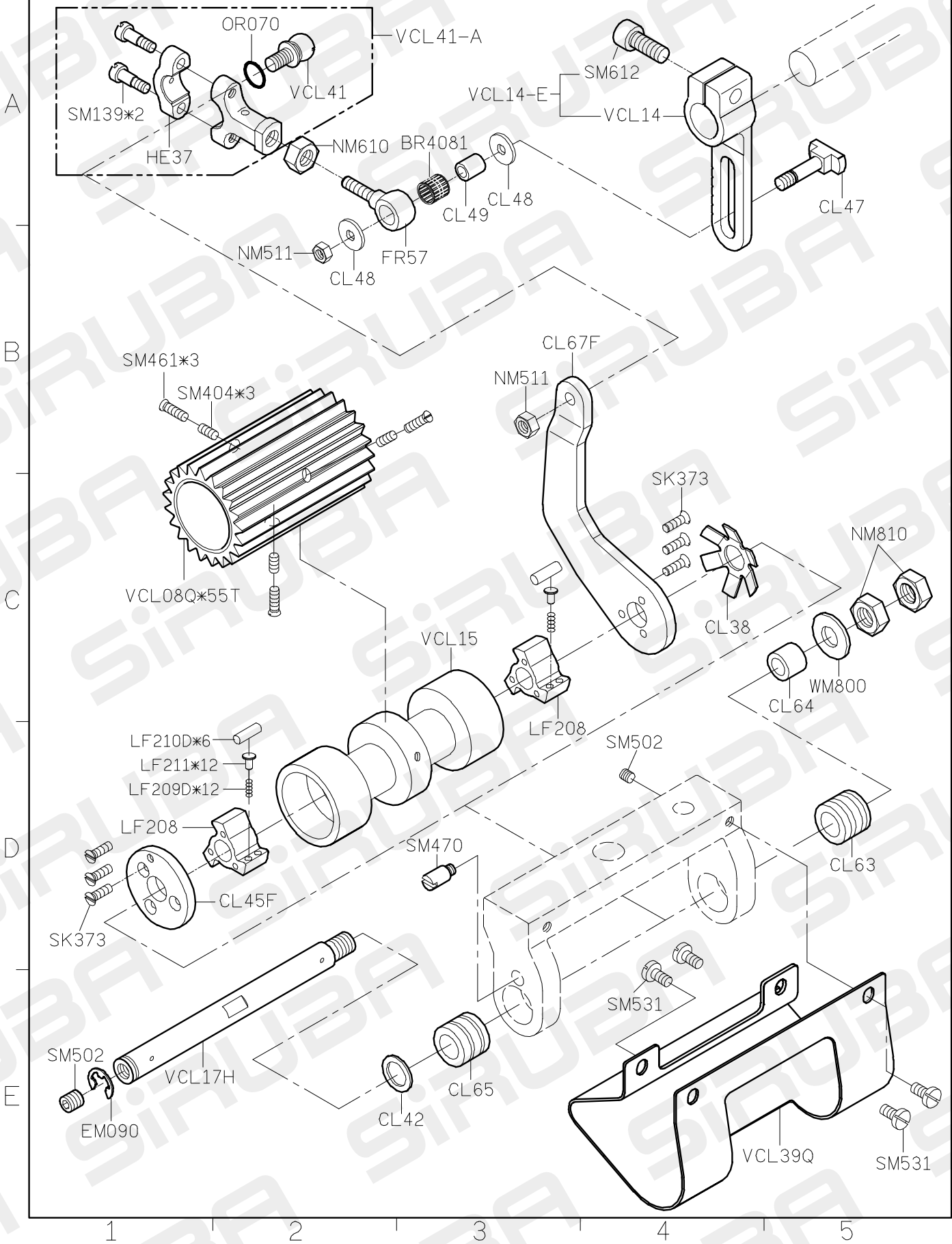


PARTS LIST FOR HCL GROUP P.2/3

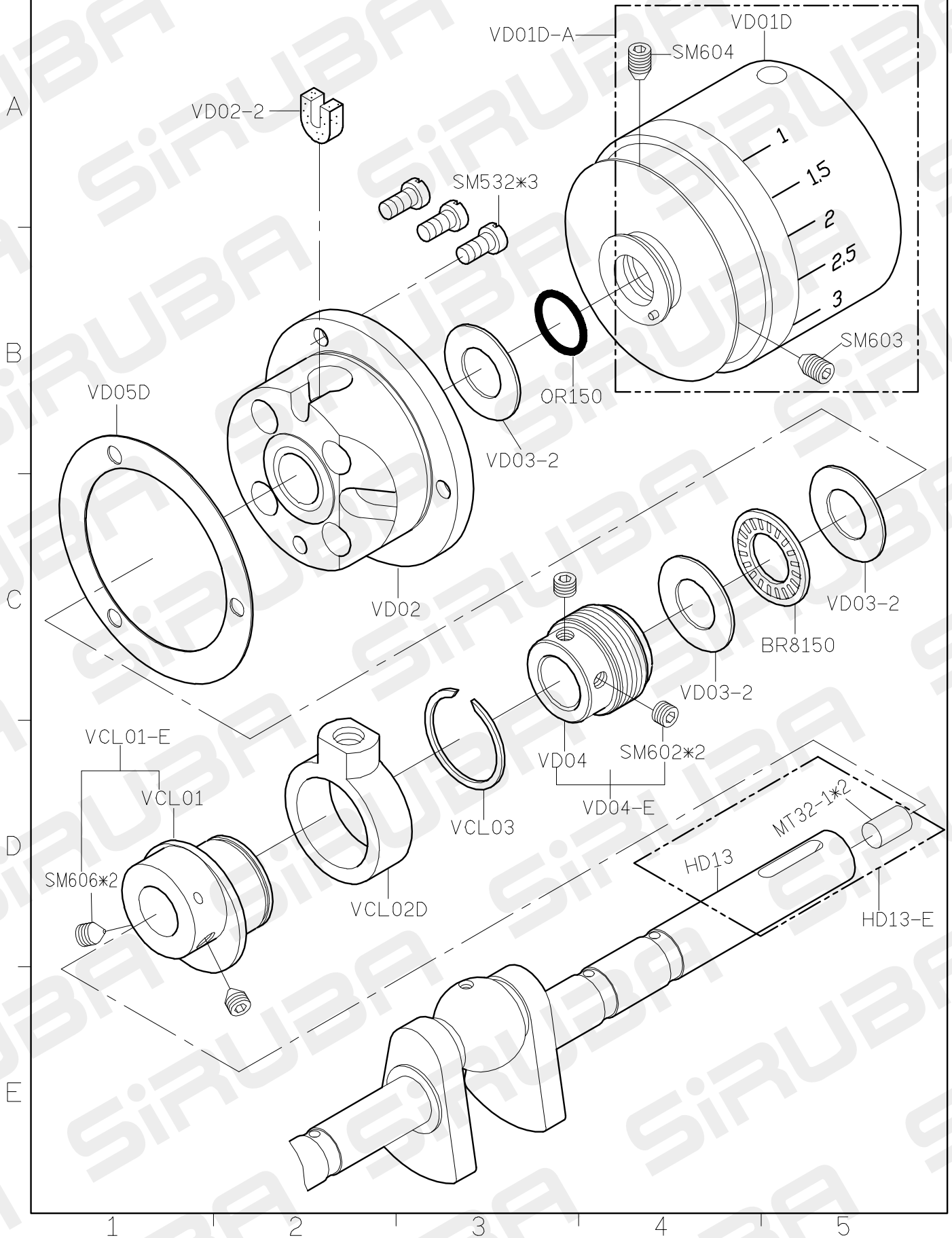
A
B
C
D
E



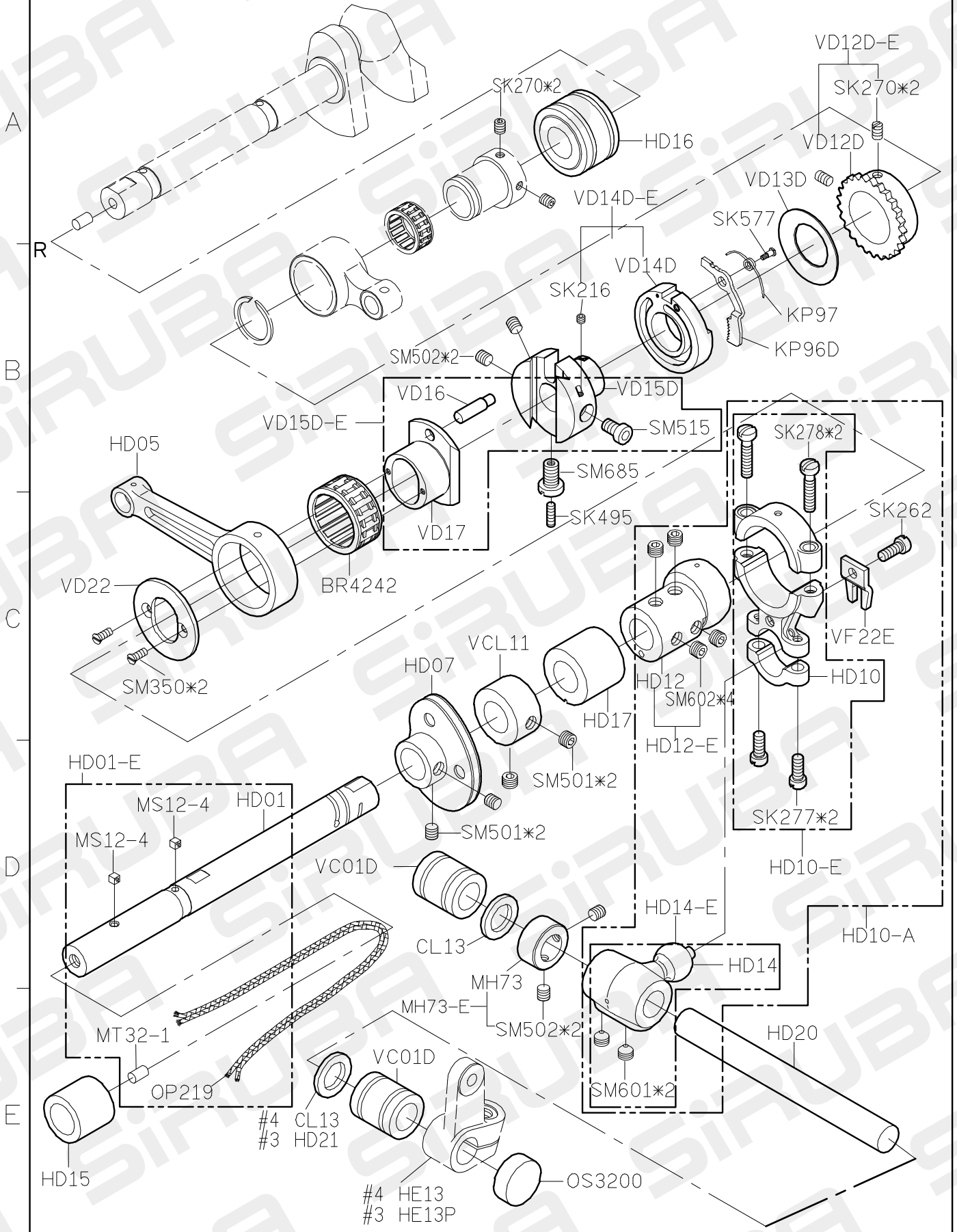
PARTS LIST FOR HCL GROUP P.3/3



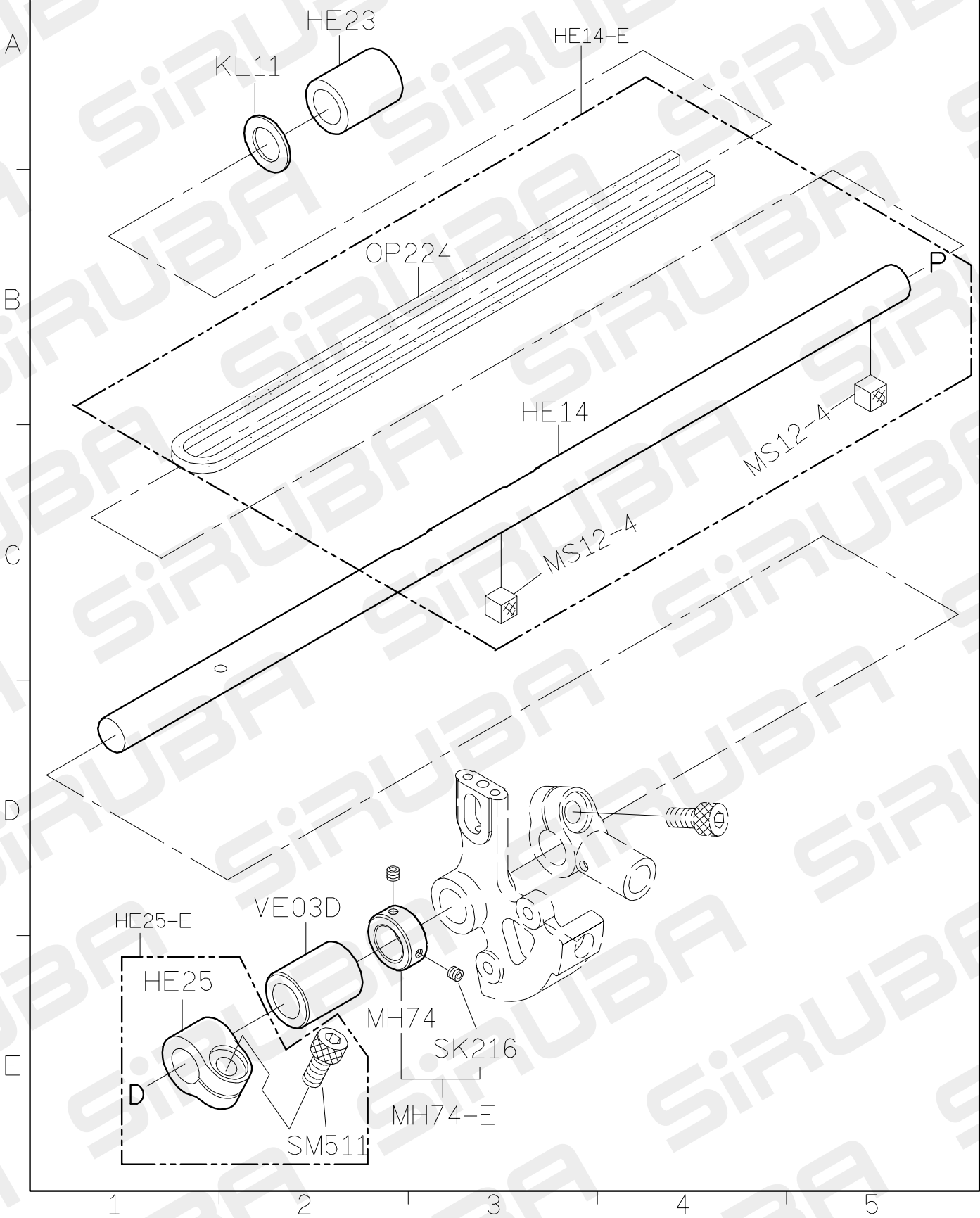
PARTS LIST FOR HD GROUP P.1/2



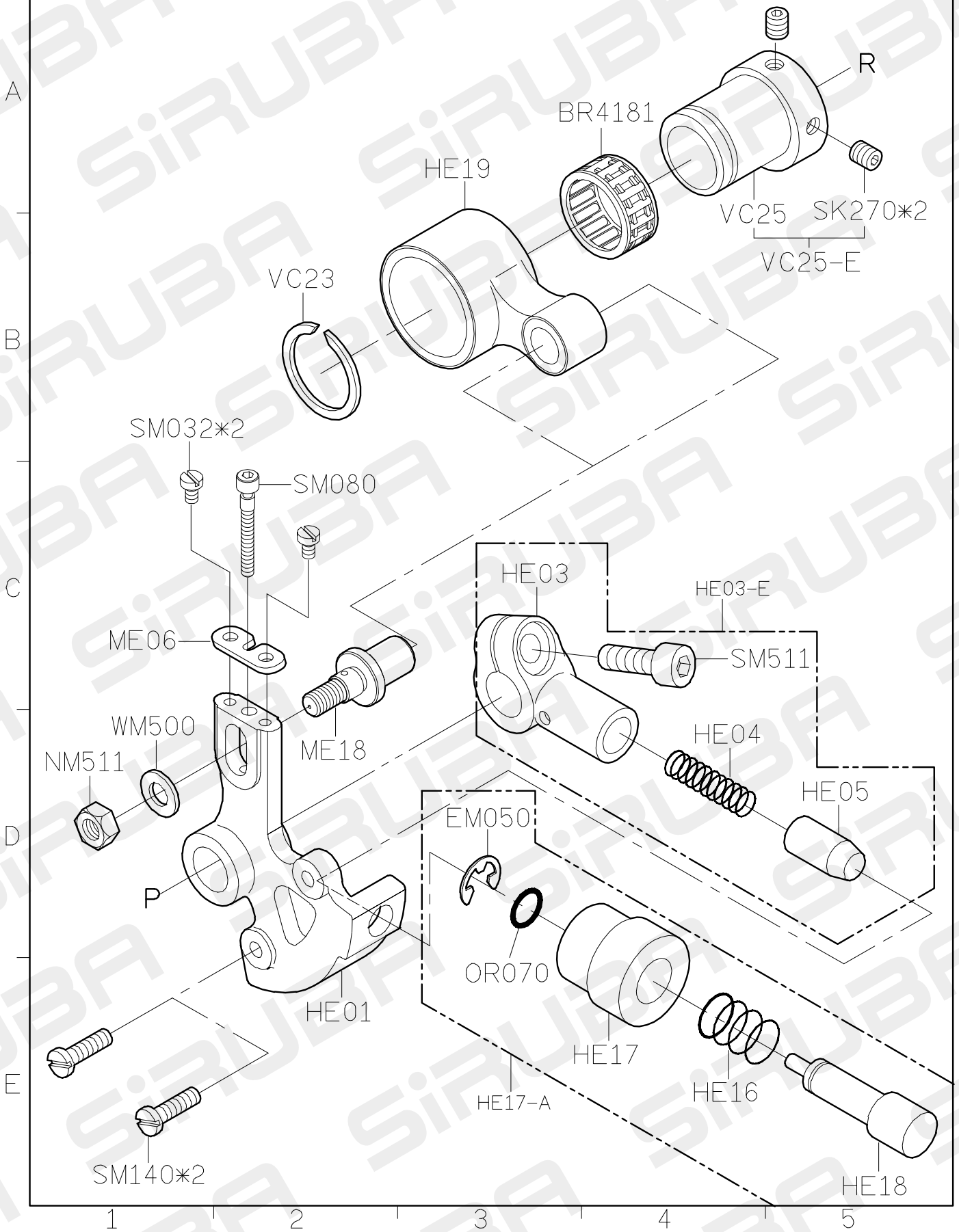
PARTS LIST FOR HD GROUP P.2/2



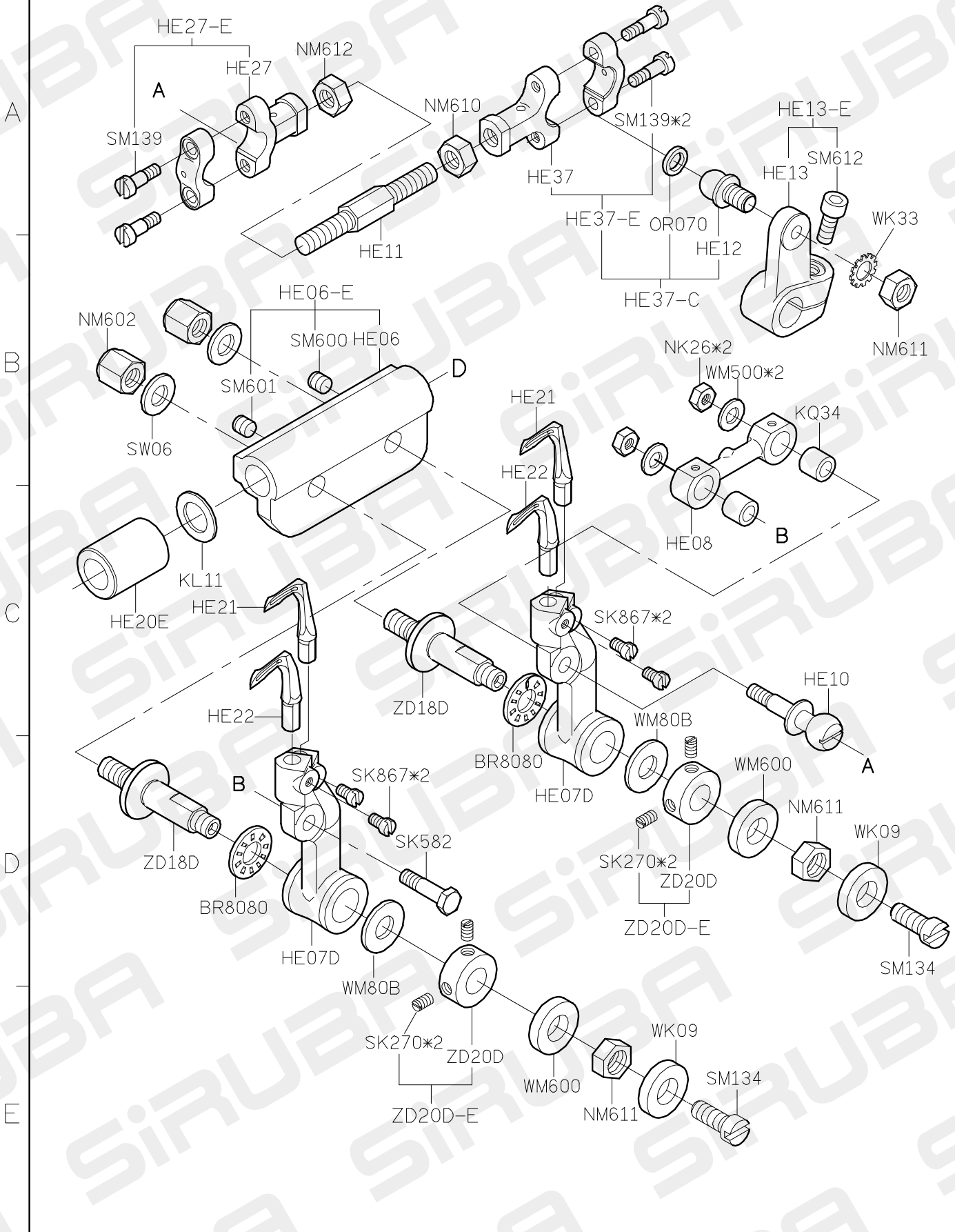
PARTS LIST FOR HE GROUP P.1/4



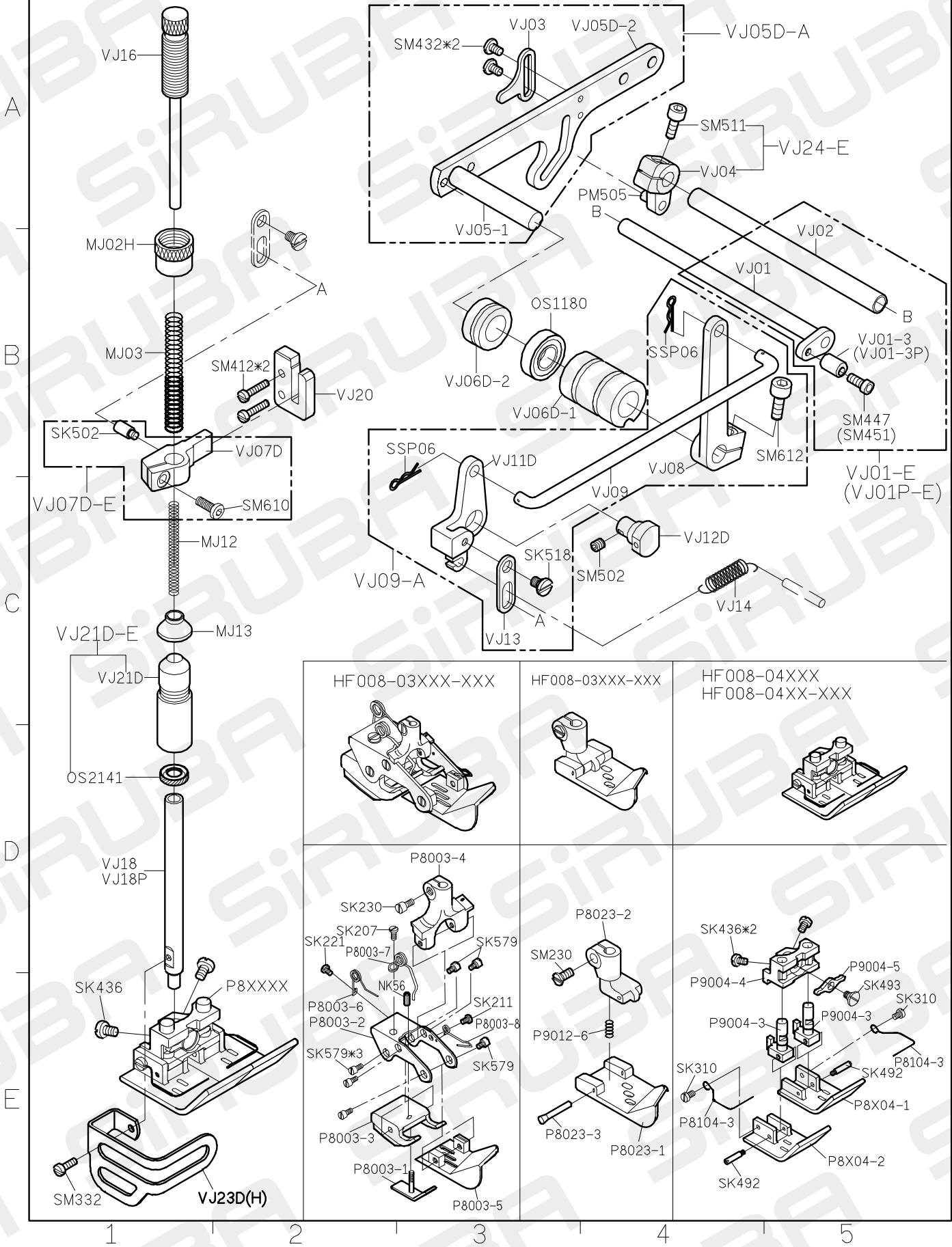
PARTS LIST FOR HE GROUP P.2/4



PARTS LIST FOR HE GROUP P.3/4



PARTS LIST FOR HJ GROUP P.1/1

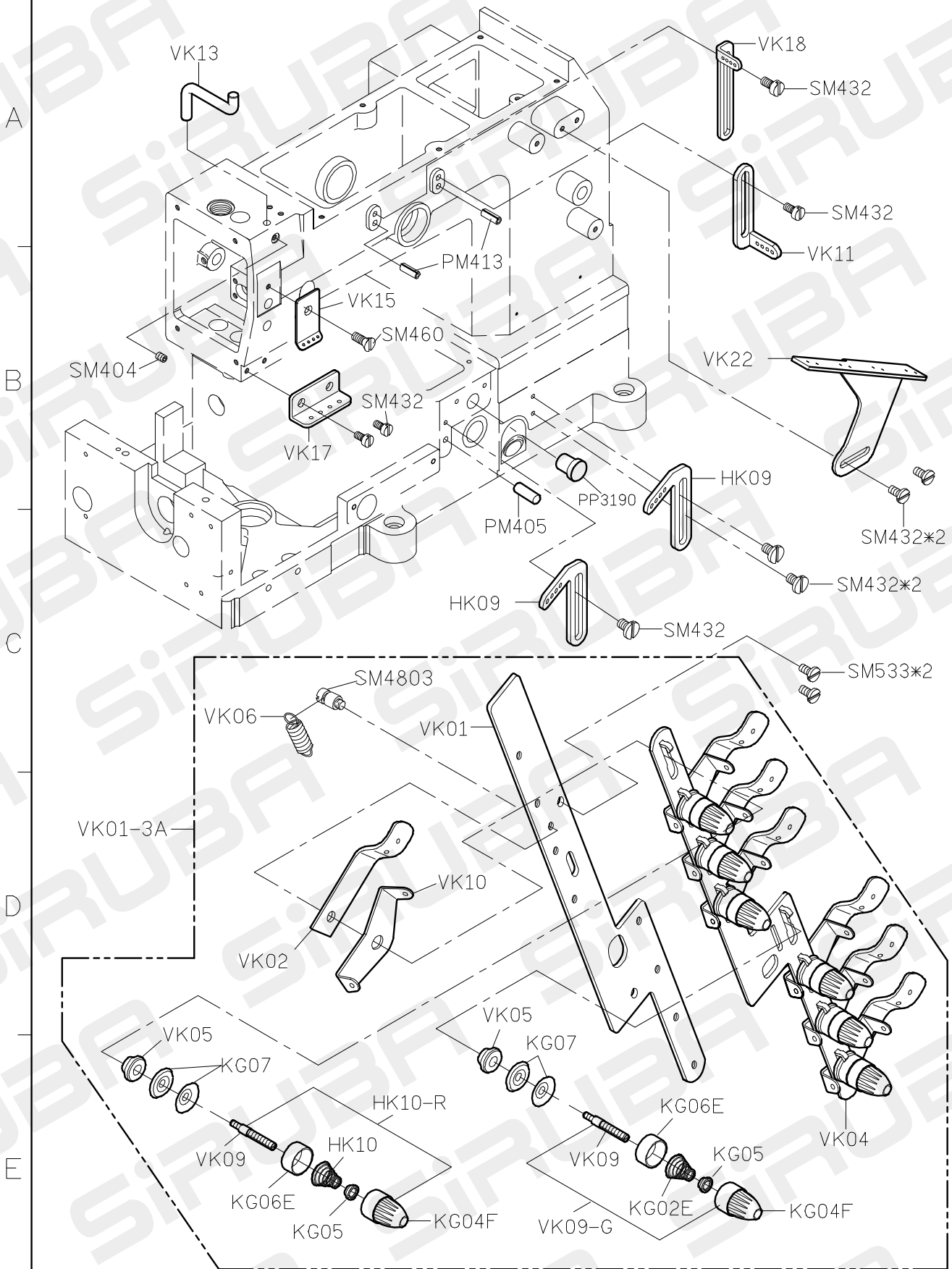


HF 008-03XXX-XXX	HF008-03XXX-XXX	HF008-04XXX HF008-04XX-XXX
<p>P8003-4</p> <p>SK230</p> <p>SK207</p> <p>SK221</p> <p>P8003-7</p> <p>NK56</p> <p>SK579</p> <p>SK211</p> <p>P8003-6</p> <p>P8003-2</p> <p>SK579*3</p> <p>P8003-3</p> <p>P8003-1</p> <p>P8003-5</p>	<p>P8023-2</p> <p>SM230</p> <p>P9012-6</p> <p>P8023-3</p> <p>P8023-1</p>	<p>SK436*2</p> <p>P9004-4</p> <p>P9004-5</p> <p>SK493</p> <p>SK310</p> <p>P9004-3</p> <p>P9004-3</p> <p>SK310</p> <p>P8104-3</p> <p>SK492</p> <p>P8X04-1</p> <p>P8X04-2</p> <p>SK492</p>
1	2	3

FOR HF008

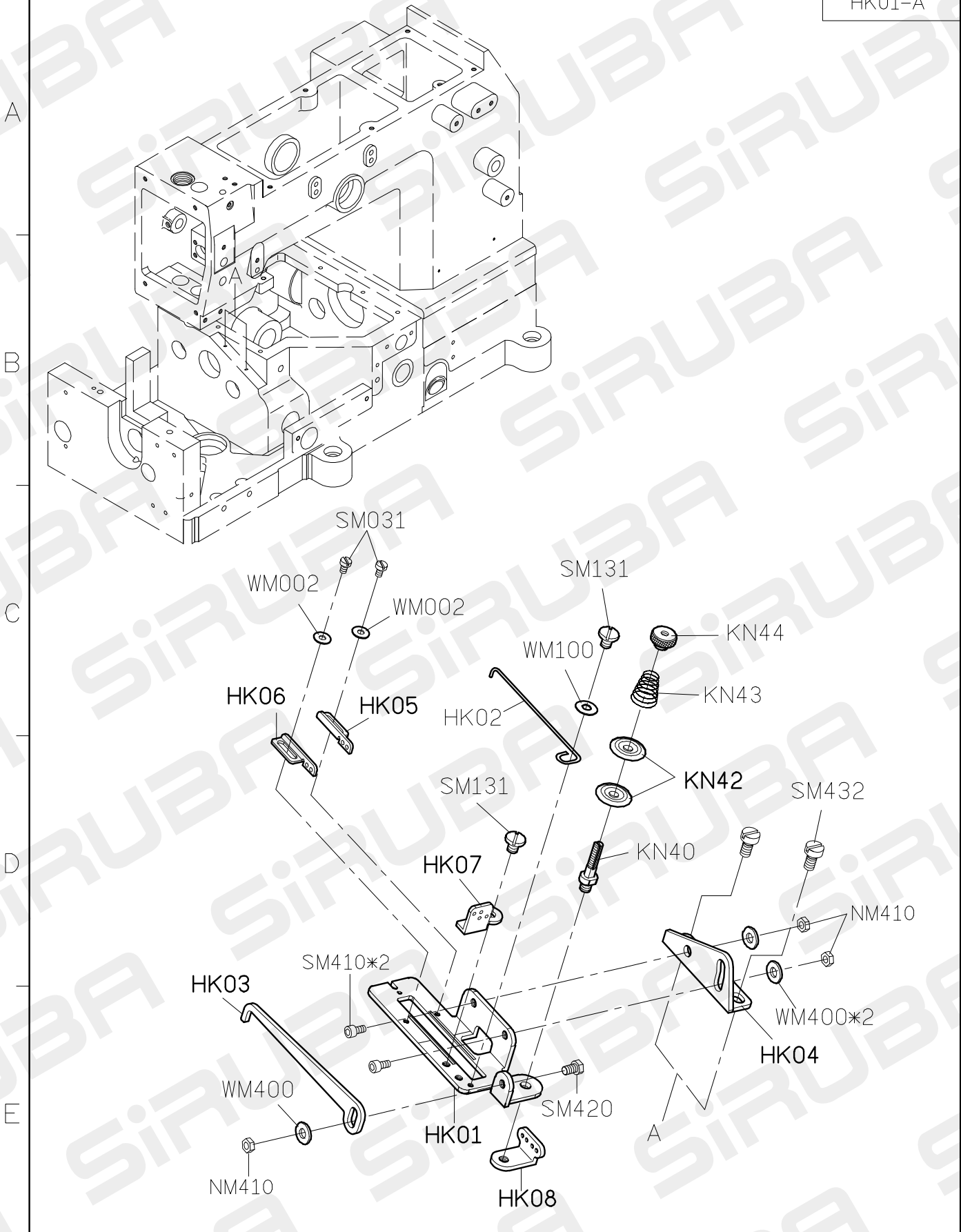
10/08/05

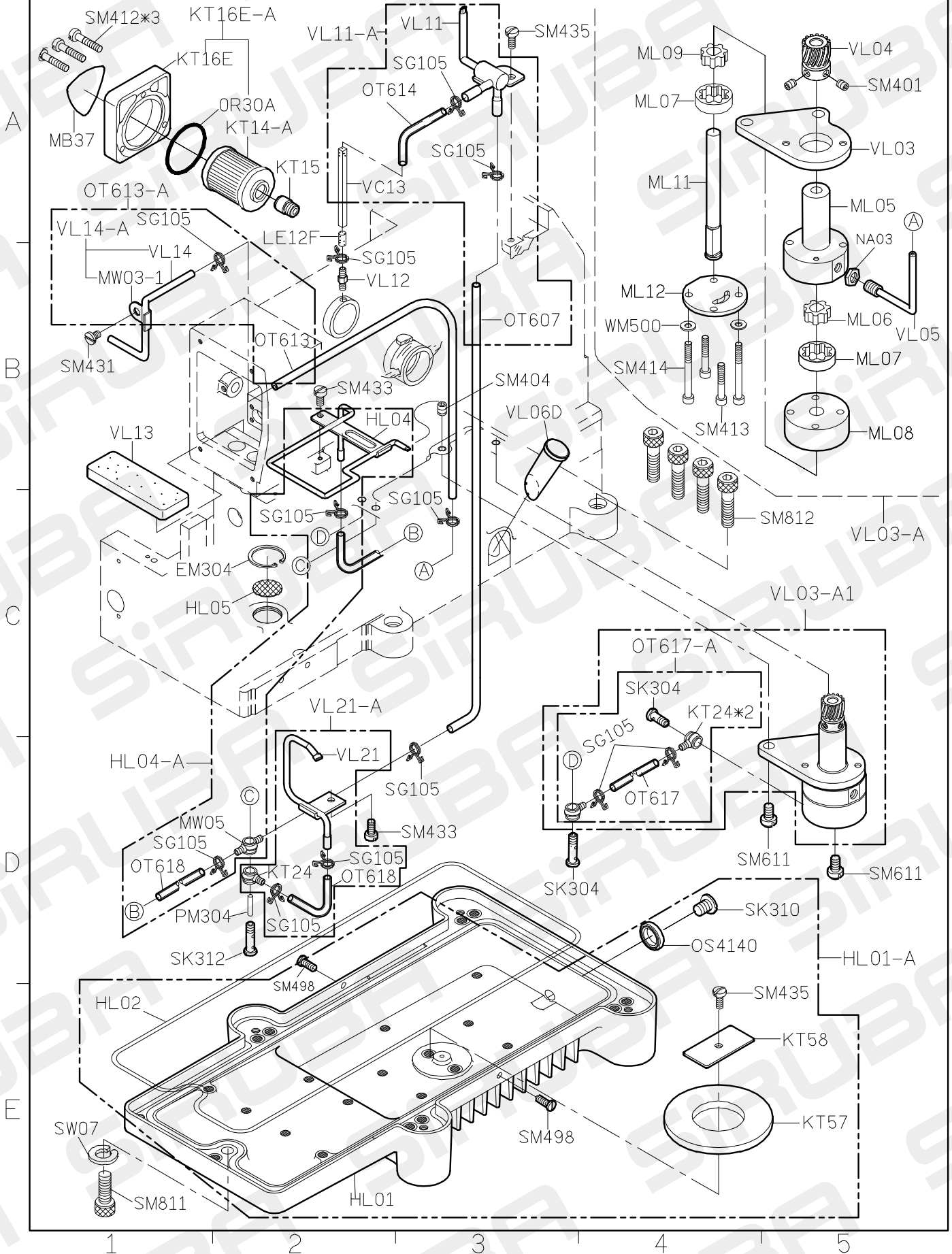
PARTS LIST FOR HK GROUP P.1/2



PARTS LIST FOR HK GROUP P.2/2

HK01-A





PARTS LIST FOR HN GROUP P.1/1

A

B

C

D

E

SM581-A

KX05*4

MN08

SM531*2

SM581*4

KX08*4

KX08*4

MN09

WM850*4

KX08*4

KX08*4

VN01*2

VN01-E

WM810*4

KX04*4

1

2

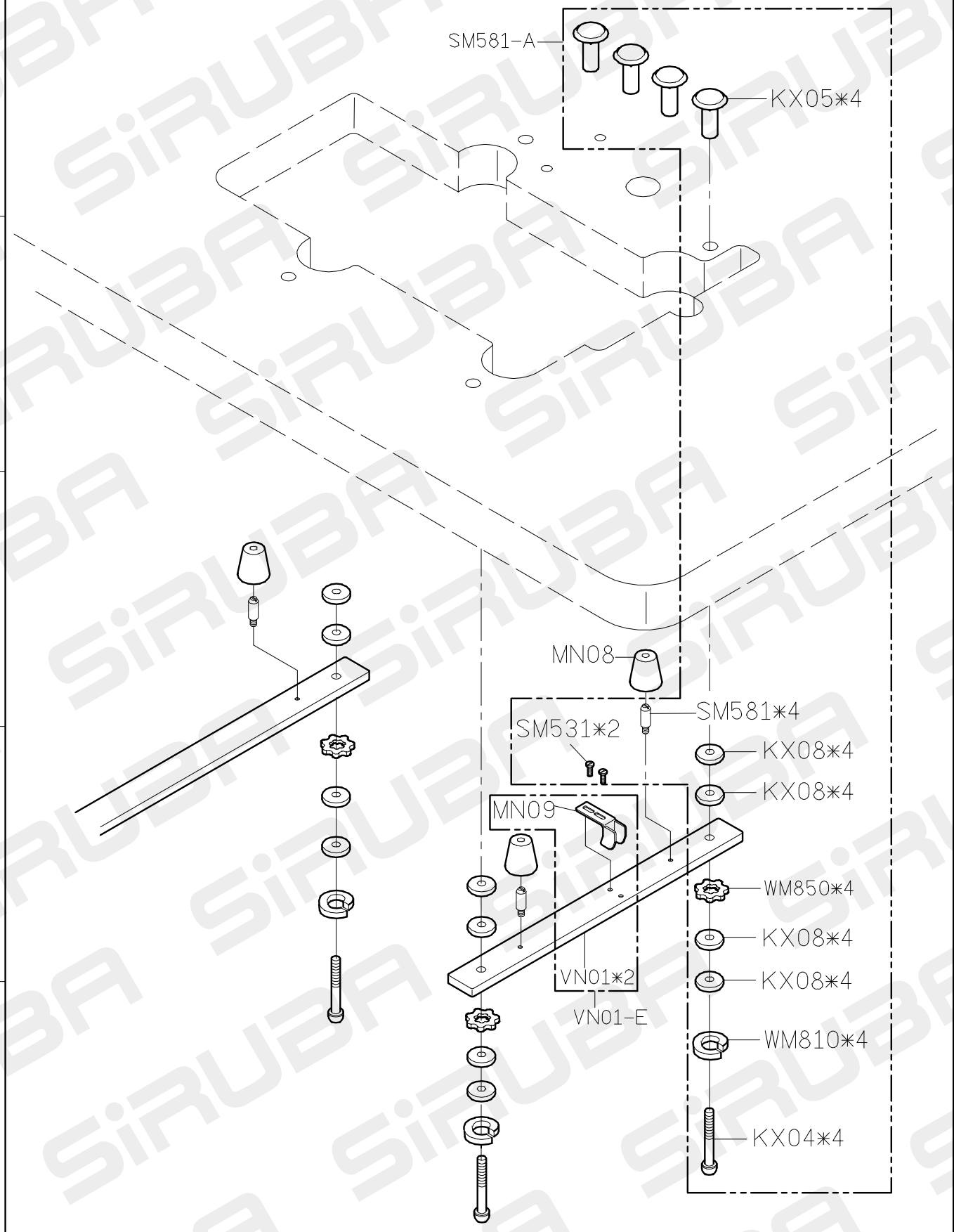
3

4

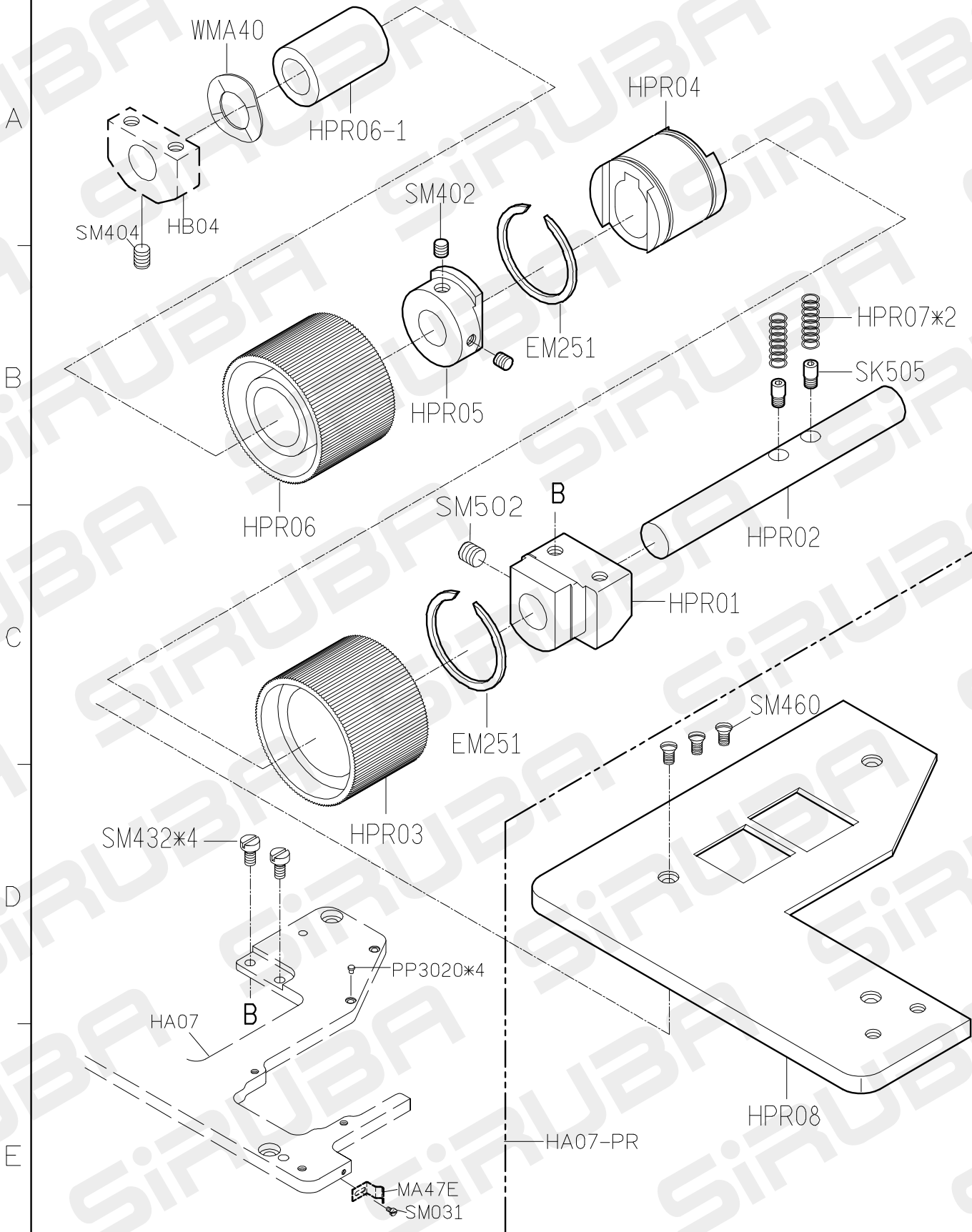
5

FOR HF008

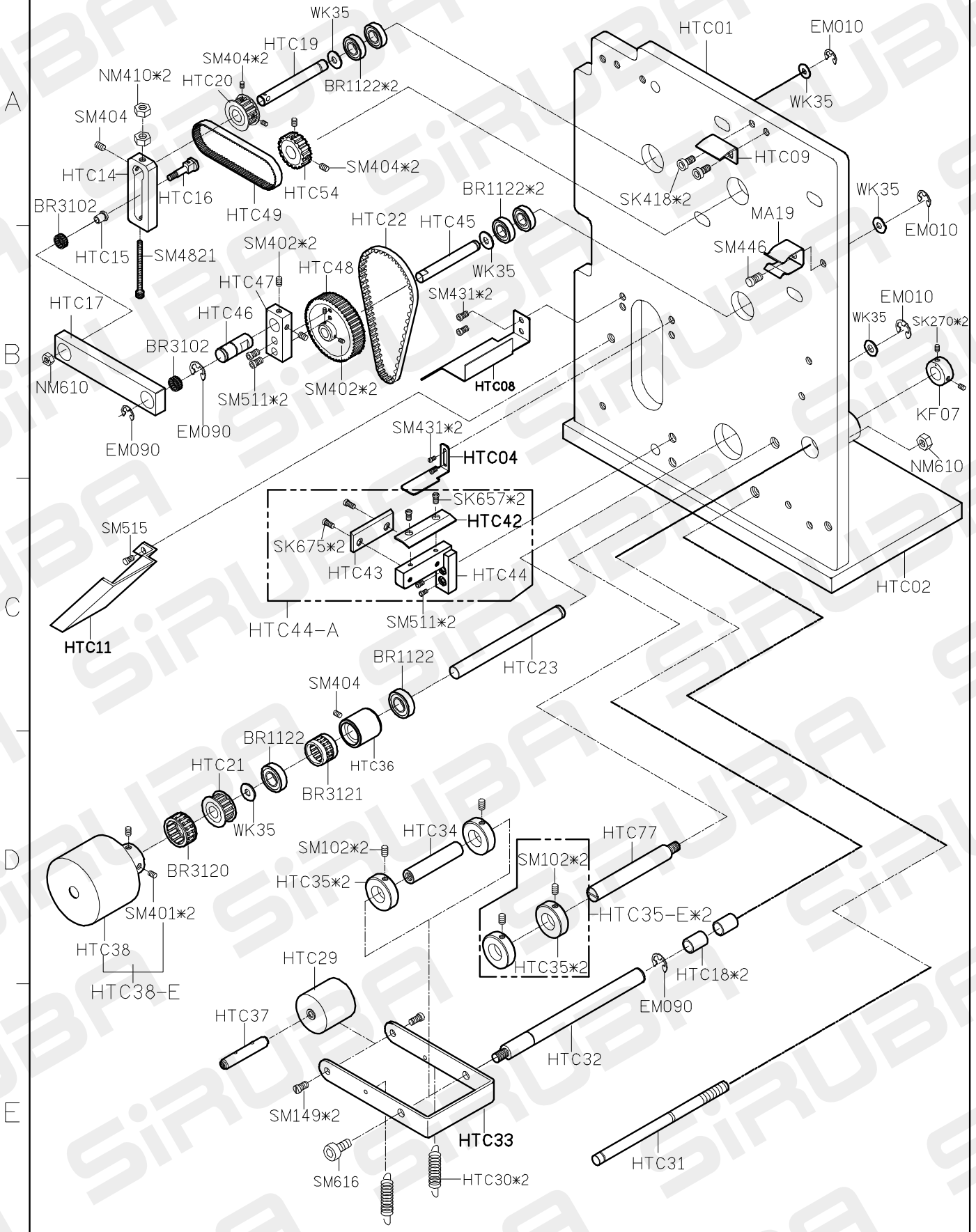
10/08/05



PARTS LIST FOR HPR GROUP P.1/1



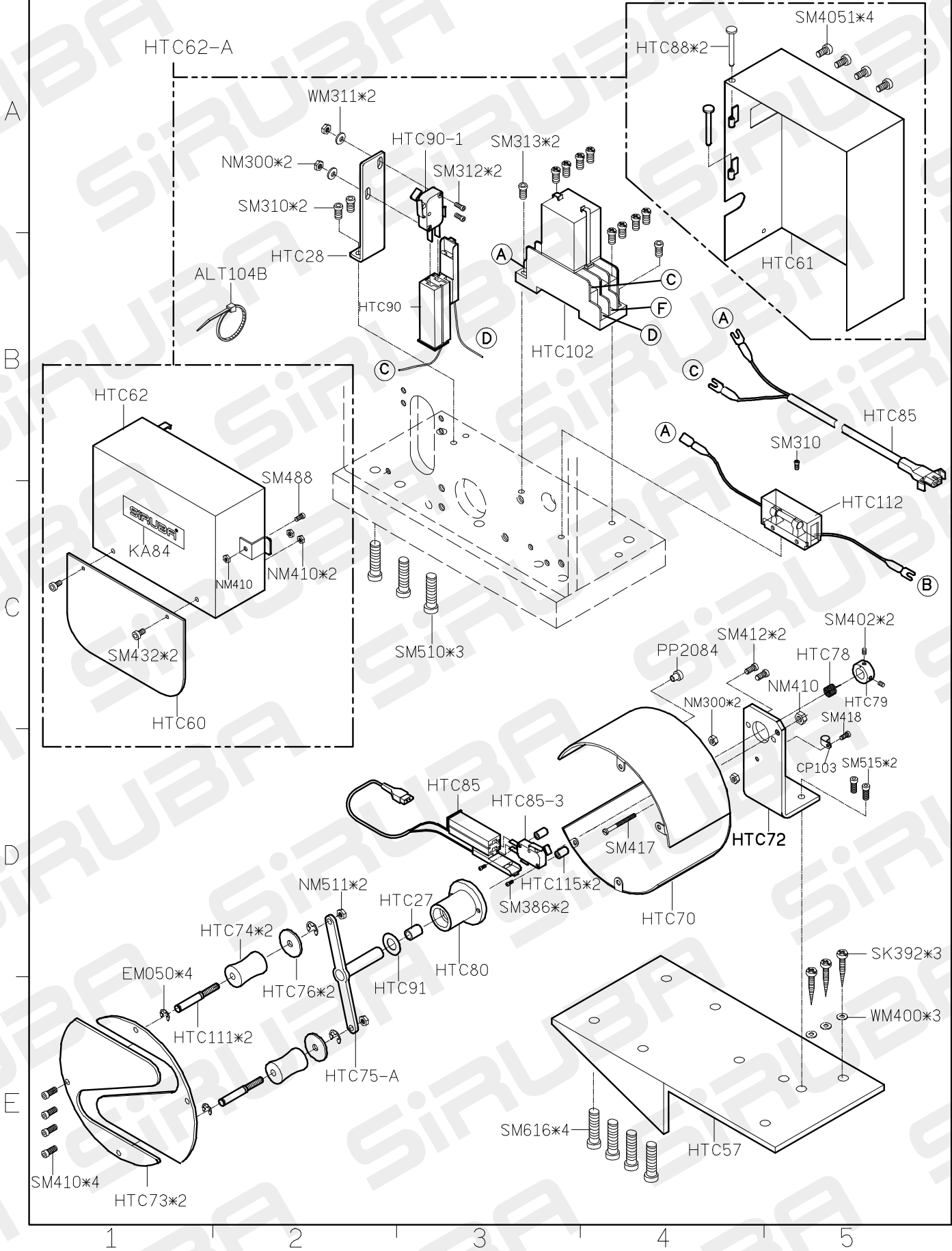
PARTS LIST FOR HTC GROUP P.1/4



FOR HF008

10/08/05

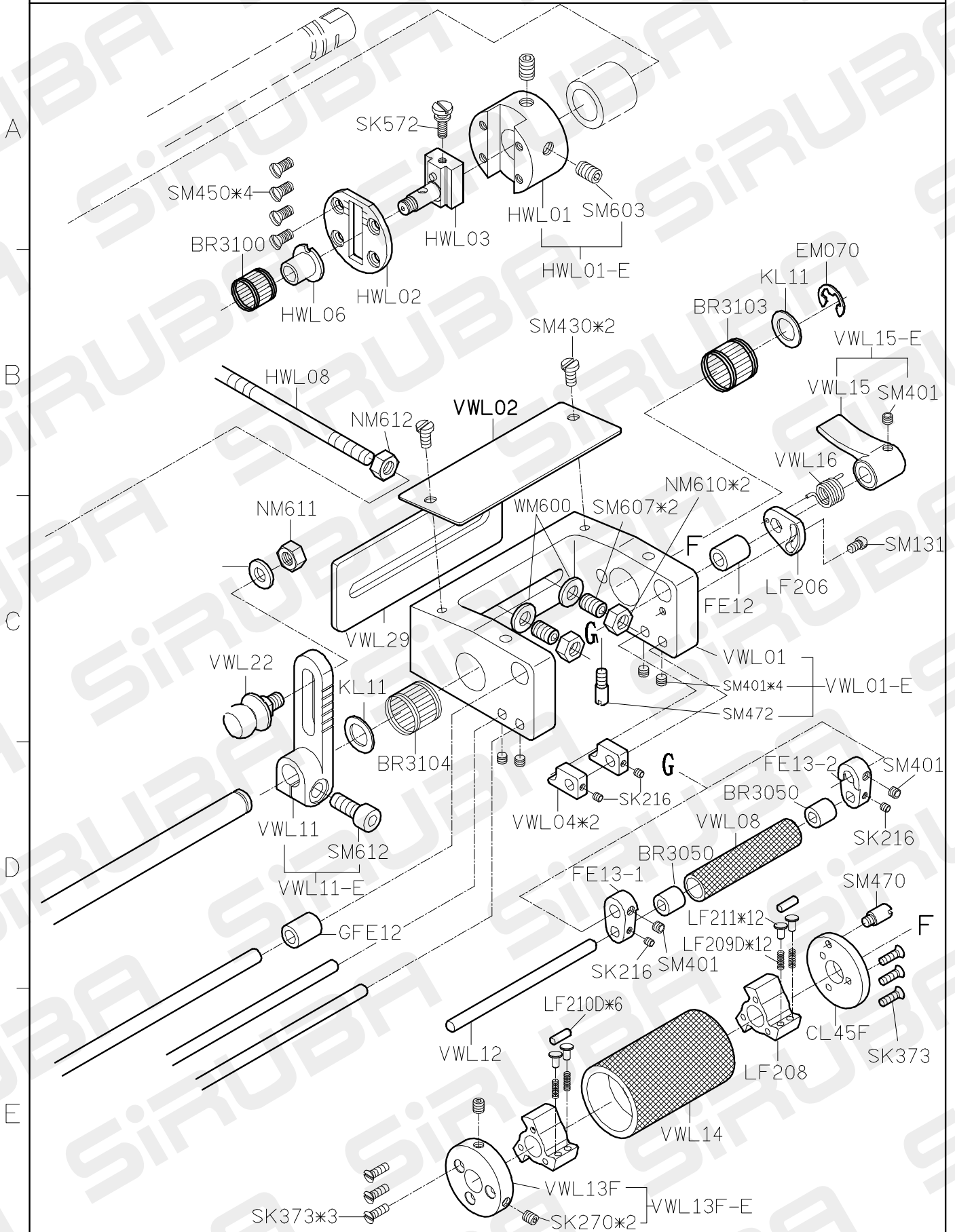
PARTS LIST FOR HTC GROUP P.3/4



FOR HF008

10/08/05

PARTS LIST FOR HWL GROUP P.1/2



PARTS LIST FOR HWL GROUP P.2/2

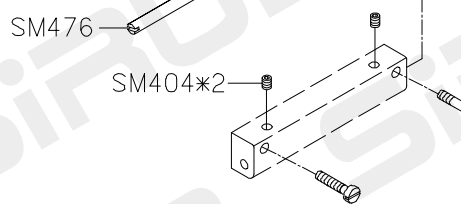
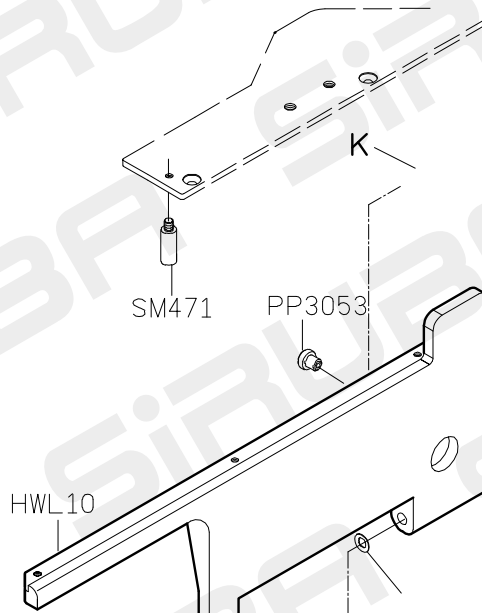
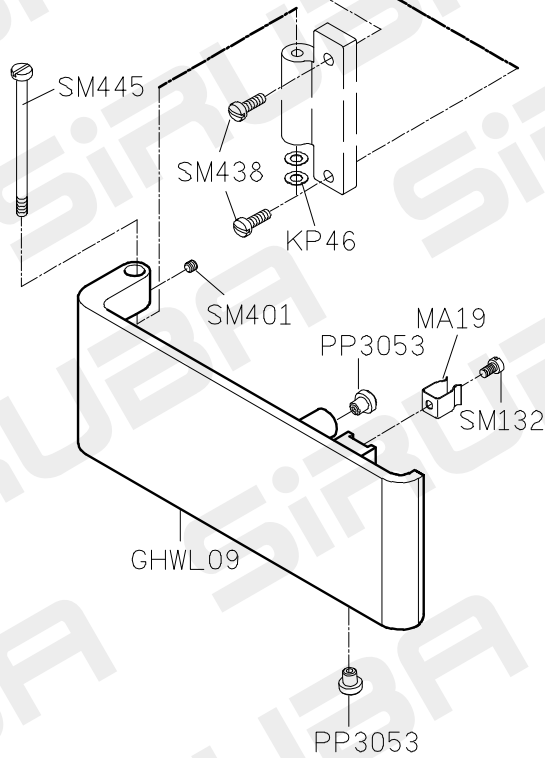
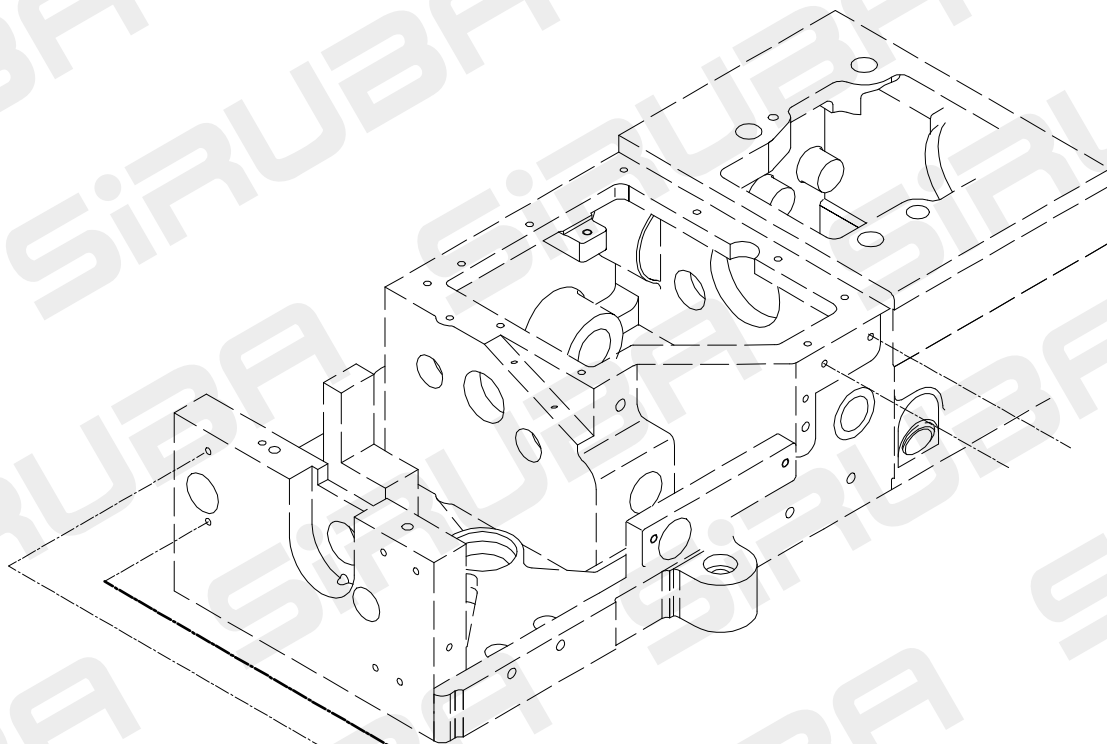
A

B

C

D

E



1

2

3

4

5

PARTS LIST FOR HY GROUP P.1/1

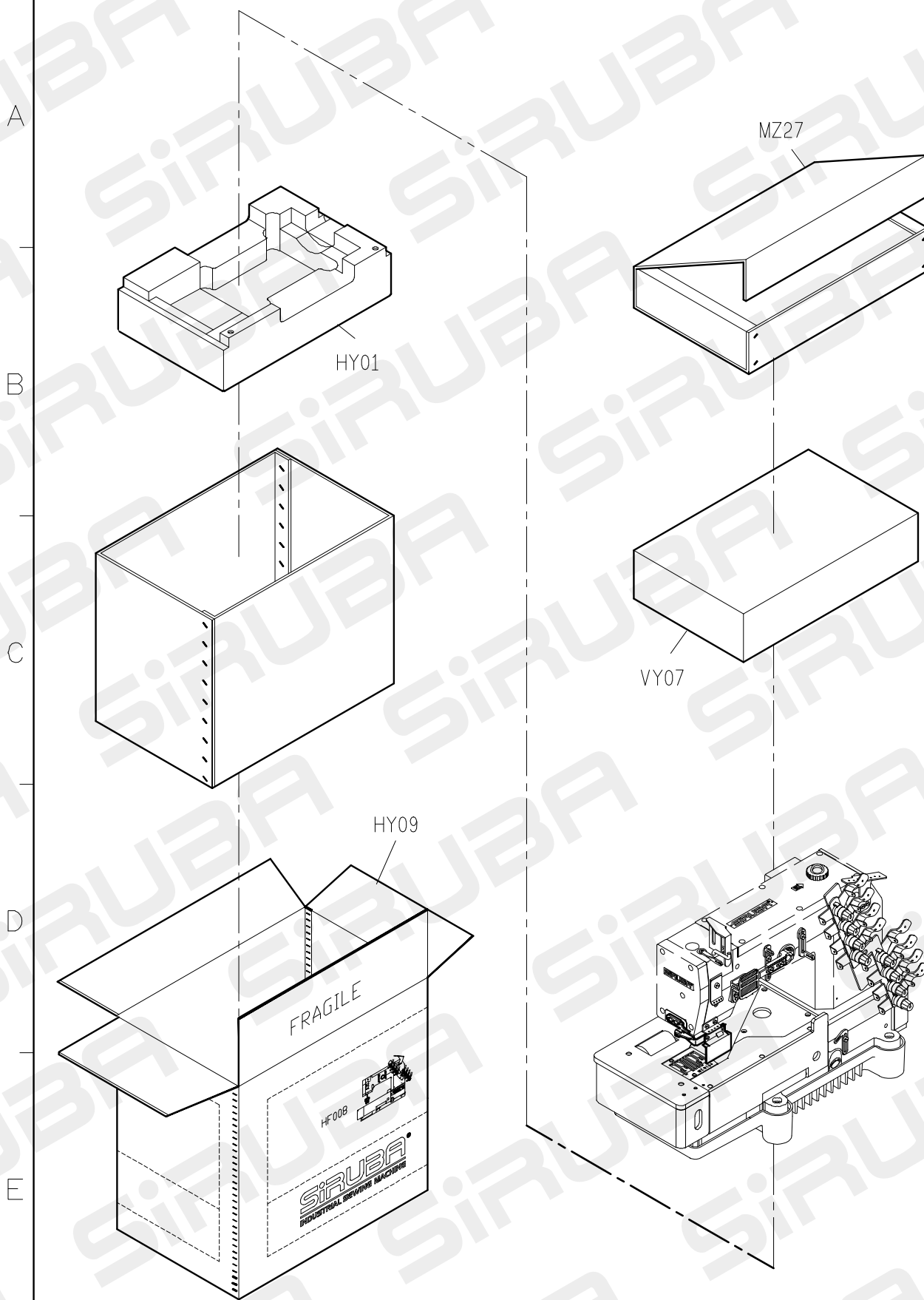


TABLE CUT-OUT OF HF008-T1

四針平車下乘式桌板圖

SEMI-SUBMERGED

INSTALLATION

單位/UNIT:mm

FOR HF008-T1

所有尺寸公差/DIFFERENCE:±2

HF008-T1-1070長度(L):1070/重量

HF008-T1長度(L):1200/重量:12.5kg±5%

全封邊灰格紋光塑面台板

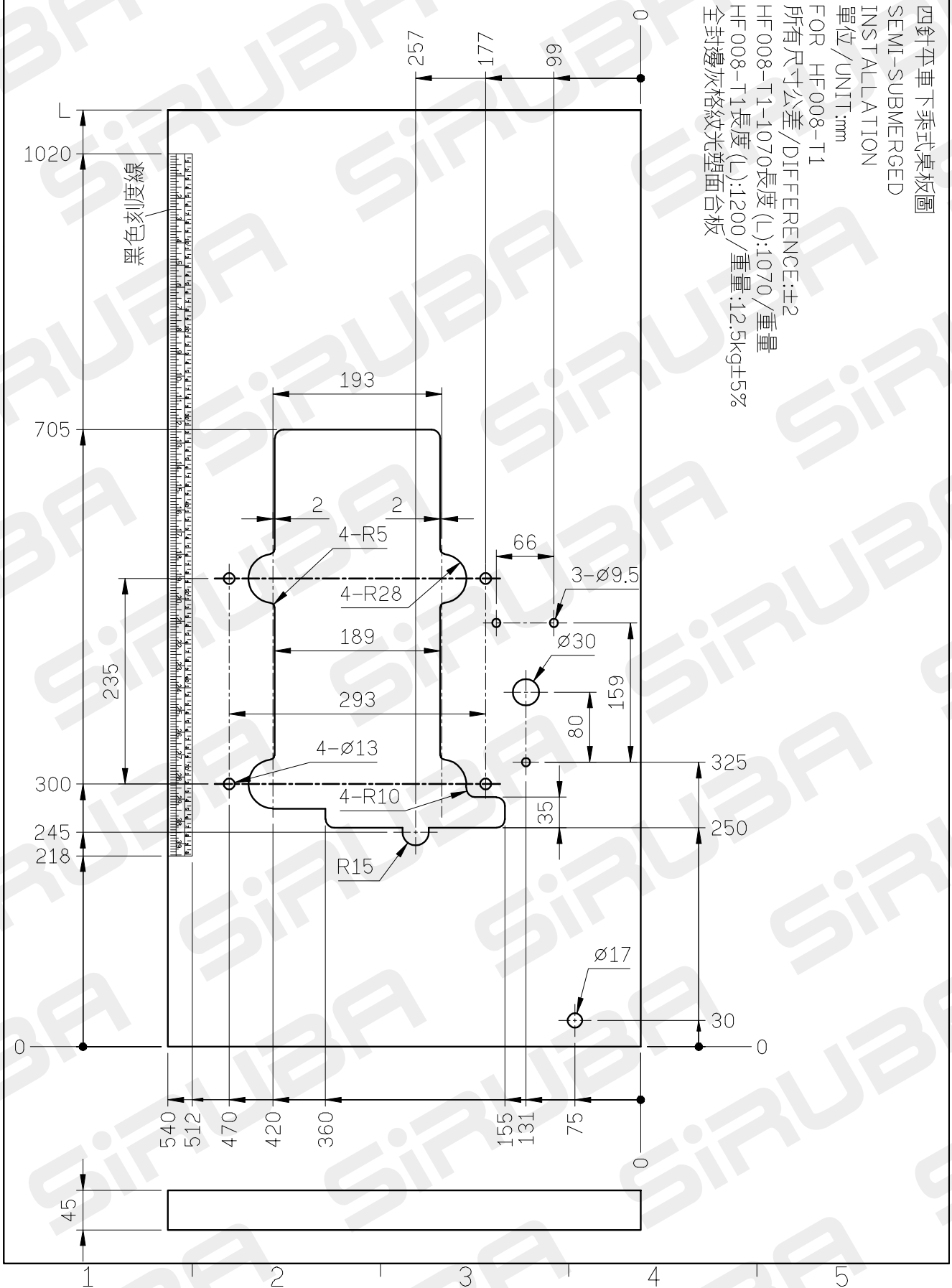


TABLE CUT-OUT OF HF008-T2

四針平車下乘式桌板圖

SEMI-SUBMERGED

INSTALLATION

單位/UNIT:mm

FOR HF008-T2

所有尺寸公差/DIFFERENCE:±2

HF008-T2-1070長度(L):1070/重量

HF008-T2長度(L):1200/重量:12.5kg±5%

全封邊灰格紋光塑面台板

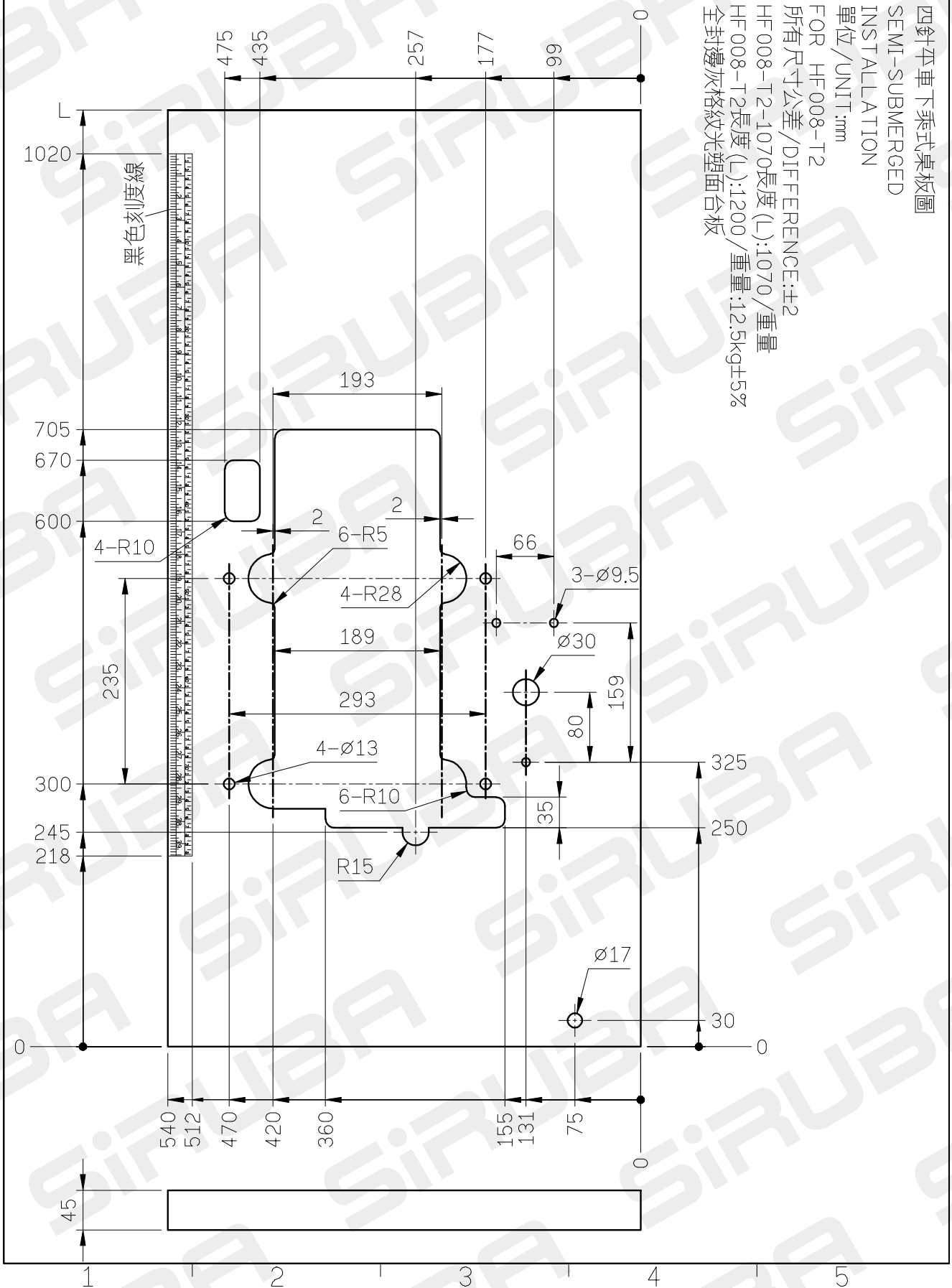


TABLE CUT-OUT OF HF008-T3

四針平車全乘式桌板圖

SEMI-SUBMERGED

INSTALLATION

單位/UNIT:mm

FOR HF008-T3

所有尺寸公差/DIFFERENCE:±2

HF008-T3-1070長度(L):1070/重量

HF008-T3長度(L):1200/重量:12.3kg±5%

全封邊灰格紋光塑面台板

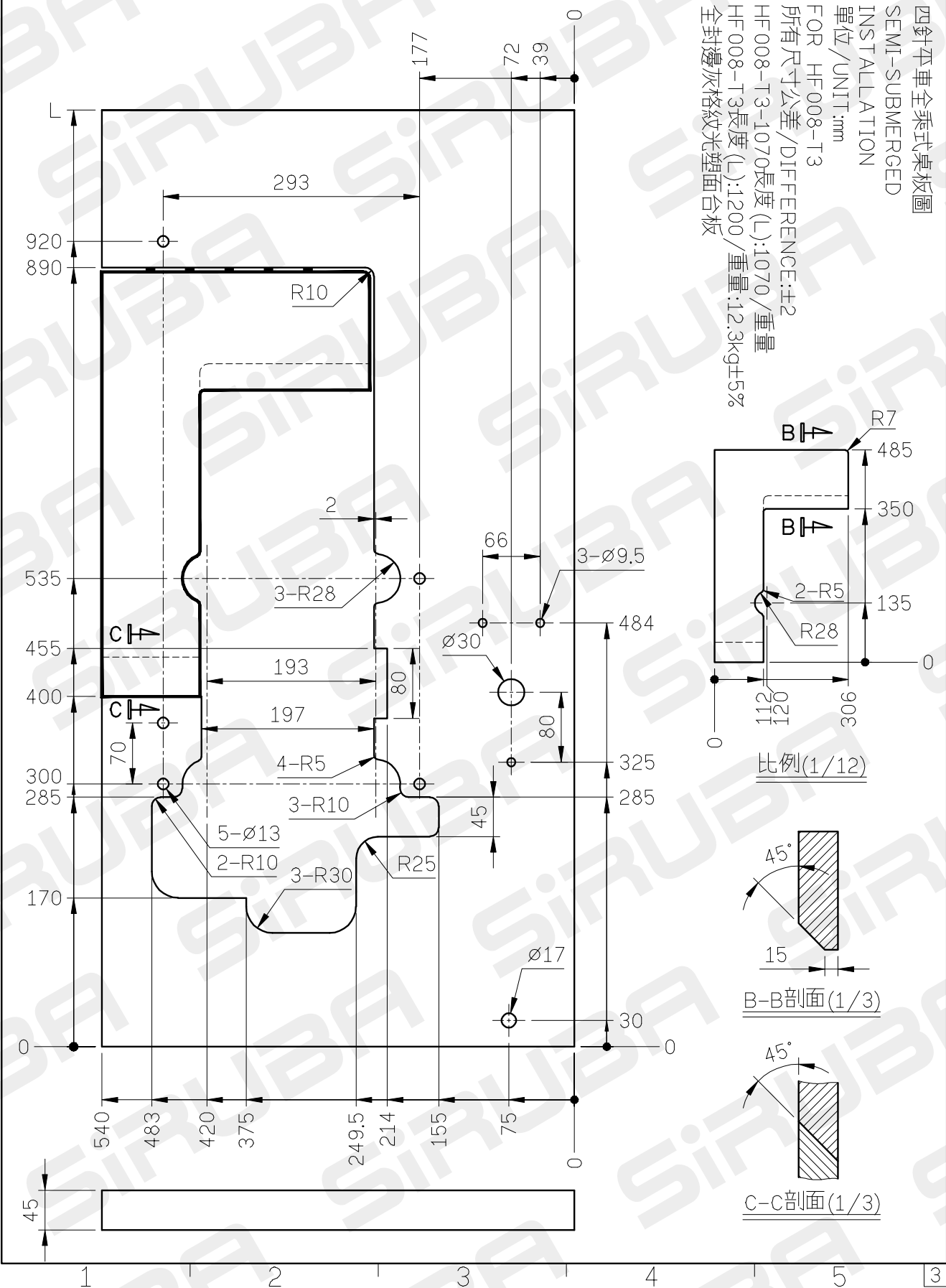


TABLE CUT-OUT OF HF008-T4

四針平車下乘式桌板圖

SEMI-SUBMERGED

INSTALLATION

單位/UNIT:mm

FOR HF008-T4 FBQ

所有尺寸公差/DIFFERENCE:±2

HF008-T4-1070長度(L):1070/重量

HF008-T4長度(L):1200/重量:12.5kg±5%

全封邊灰格紋光塑面台板

