

L818F-RM1 自動切線型規格件表 / CONVERSION CHART

MODEL	SUB-CLASS	OPERATING PANEL	GAUGE WIDTH	NEEDLE PLATE	FEED DOG	PRESSER FOOT	HOOK ASM	BOBBIN CASE ASM	BOBBIN	THROAT PLATE CHIP GUARD	NEEDLE	THREAD GUIDE	THROAT PLATE COVER	HAND WHEEL
L818F-RM1-32-00 L818F-RM1-32-03	32	LA55F-A	1/8" (3.2mm)	E705Q (E705S)	D705 (D702)	P705 (P701)	G121	G202	G303	LR104DS (LR104D)	DBX1#14	LR141S (LR141)	LR106S (LR106)	GLH101-A1
		LA55F-A		E705R (E705Q)	D705	P705	G121	G202	G303	LR104DS	DBX1#14	LR141S	LR106	GLH101-A1
L818F-RM1-40-00 L818F-RM1-40-03	40	LA55F-A	5/32" (4.0mm)	E705R (E705Q)	D705	P705	G121	G202	G303	LR104DS	DBX1#14	LR141S	LR106	GLH101-A1
		L600		E705R (E705Q)	D705	P705	G121	G202	G303	LR104DS	DBX1#14	LR141S	LR106	GLH101-A1
L818F-RM1-40-10 L818F-RM1-40-13	40	L600	5/32" (4.0mm)	E705R (E705Q)	D705	P705	G121	G202	G303	LR104DS	DBX1#14	LR141S	LR106	GLH101-A1
L600		E705R (E705Q)		D705	P705	G121	G202	G303	LR104DS	DBX1#14	LR141S	LR106	GLH101-A1	

() 之規格件放於配件箱內 / the standard object inside () is placed in the accessory box.

L818F-RM1 自動切線型規格件表 / CONVERSION CHART

P2

MODEL	SUB-CLASS	OPERATING PANEL	GAUGE WIDTH	NEEDLE PLATE	FEED DOG	PRESSER FOOT	HOOK ASM	BOBBIN CASE ASM	BOBBIN	THROAT PLATE CHIP GUARD	NEEDLE	THREAD GUIDE	THROAT PLATE COVER	HAND WHEEL	
L818F-RM1-48-00	48	LA55F-A	3/16" (4.8mm)	E705 (E705Q)	D705	P705	G121	G202	G303	LR104DS	DBX1#14	LR141S	LR106	GLH101-A1	
L818F-RM1-48-03		L818F-RM1-48-10													L818F-RM1-48-13
L818F-RM1-64-00	64	LA55F-A	1/4" (6.4mm)	E705S (E705Q)	D702	P701	G121	G202	G303	LR104D (LR104DS)	DBX1#14	LR141 (LR141S)	LR106S (LR106)	GLH101-A1	
L818F-RM1-64-10		L818F-RM1-64-03													L818F-RM1-64-13
L818F-RM1-64-13		L600													L600

() 之規格件放於配件箱內 / the standard object inside () is placed in the accessory box.

09.08.28

L818F-RM1 自動切線型規格件表 / CONVERSION CHART

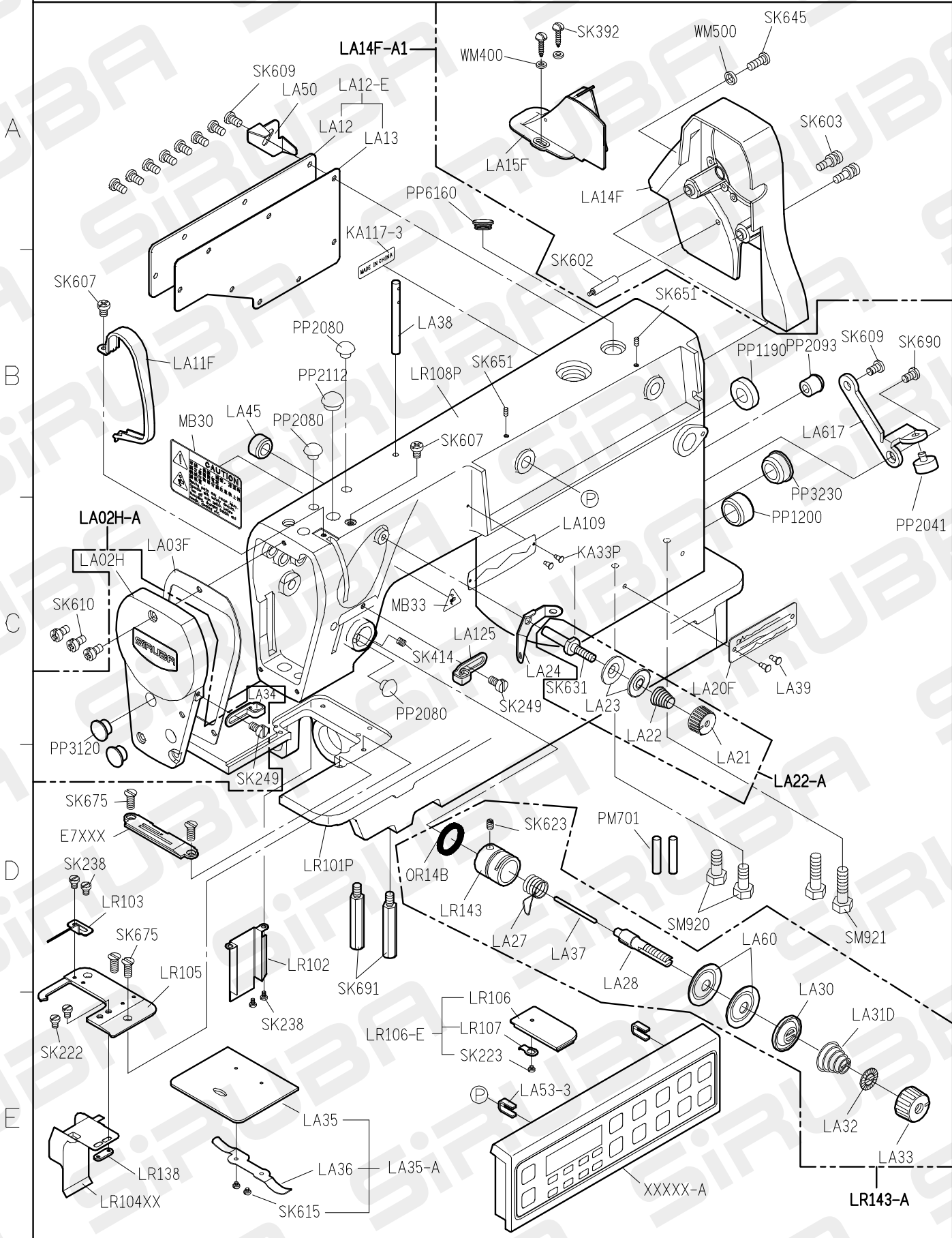
P3

MODEL	SUB-CLASS	OPERATING PANEL	GAUGE WIDTH	NEEDLE PLATE	FEED DOG	PRESSER FOOT	HOOK ASM	BOBBIN CASE ASM	BOBBIN	THROAT PLATE CHIP GUARD	NEEDLE	THREAD GUIDE	THROAT PLATE COVER	HAND WHEEL
L818F-RM1-95-00	95	LA55F-A	3/8" (9.5mm)	E705T (E705Q)	D702 (D705)	P701 (P705)	G121	G202	G303	LR104D (LR104DS)	DBX1#14	LR141 (LR141S)	LR106T (LR106)	GLH101-A1
L818F-RM1-95-03														
L818F-RM1-95-10														
L818F-RM1-95-13		L600												GLH101-A1

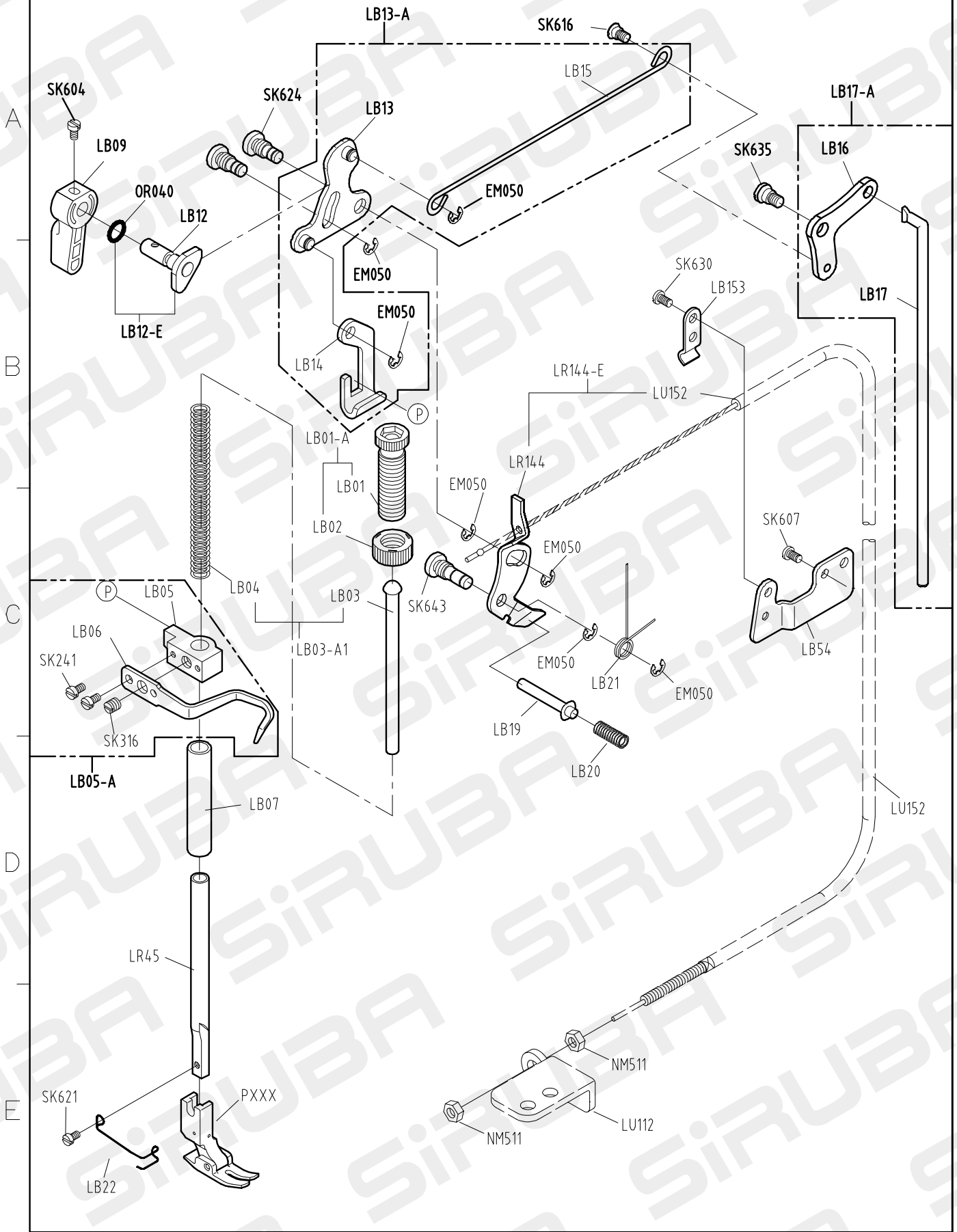
() 之規格件放於配件箱內 / the standard object inside () is placed in the accessory box.

09.08.28

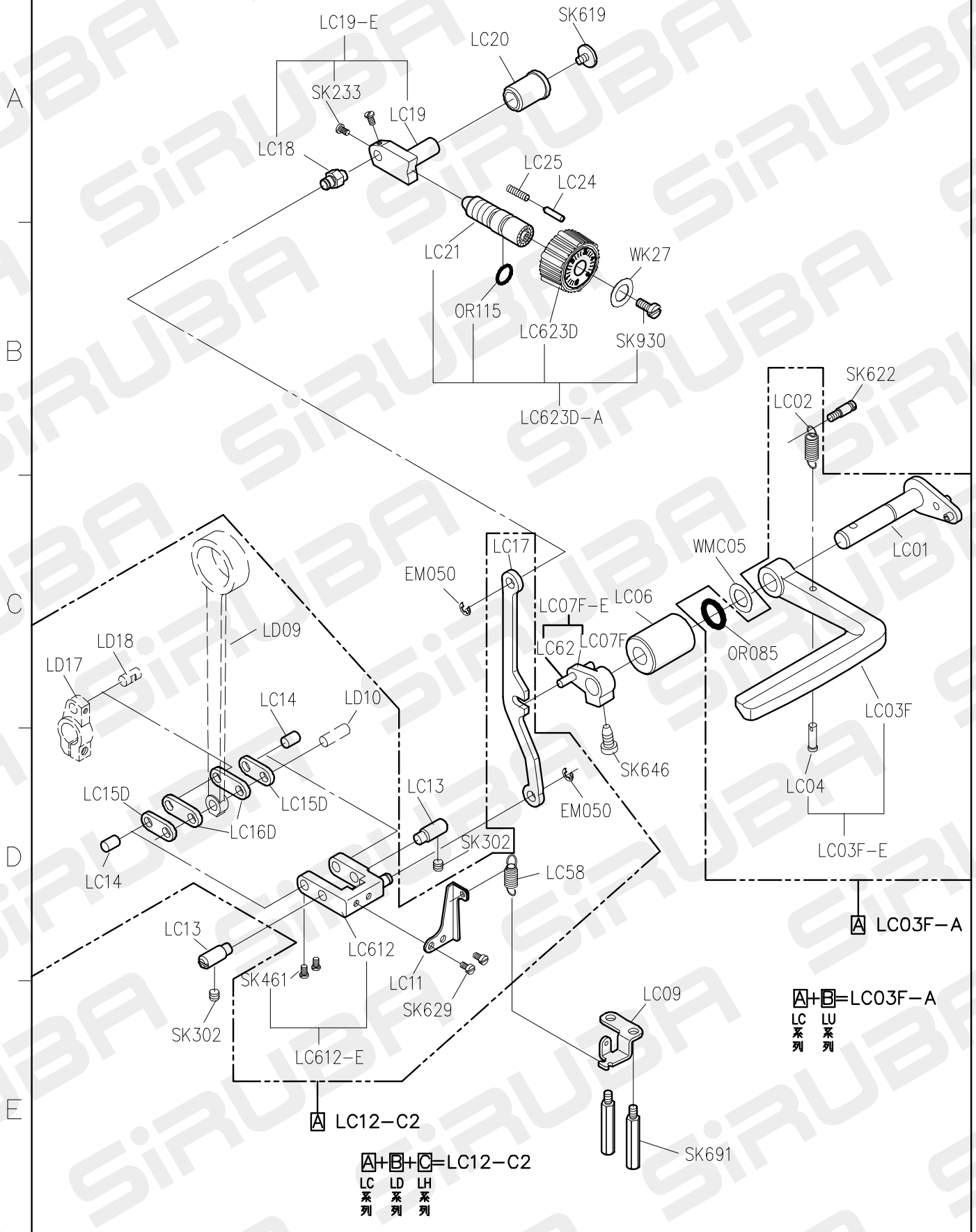
L818F-RM1-UPARTS LIST FOR LA GROUP P.1/1



L818F-RM1-U PARTS LIST FOR LB GROUP P.1/1



L818F-RM1-U PARTS LIST FOR LC GROUP P.1/1



L818F-RM1-U PARTS LIST FOR LD GROUP

P.1/1

A

B

C

D

E

A+B=LD19-C

LD系列
LL系列

A LD19-C

LD11

LD12

LD12-E

EM153

LD02

LD03-E

LD03

LD15

LD14

LD13-A

SK600

LD04-E

WM40A

LD13

SK674

D7XX

LD04

LD13

LD116-E

LD116

EM153

LD02

LD03-E

LD03-E

SK600

LD01P-E

A LD116-A

A+B=LD116-A

LD系列
LL系列

LD01P

SK277

LD07

LD18

LD17

LD17-E

SK612

LH606

LD09

LD08

LD06-E

LD06

B LC12-C2

LD07

SK627

SK612

NK61

SK230

SK230

1

2

3

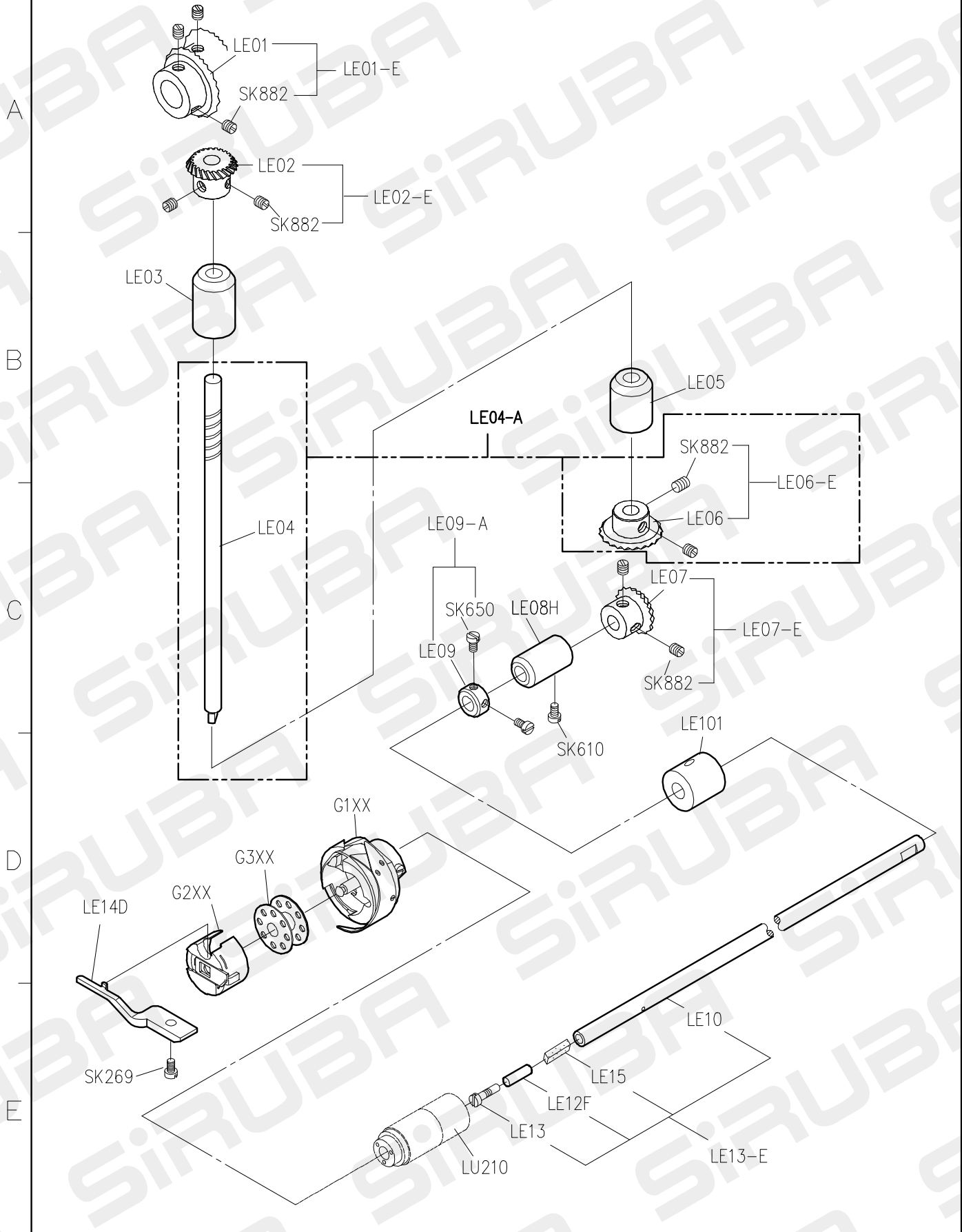
4

5

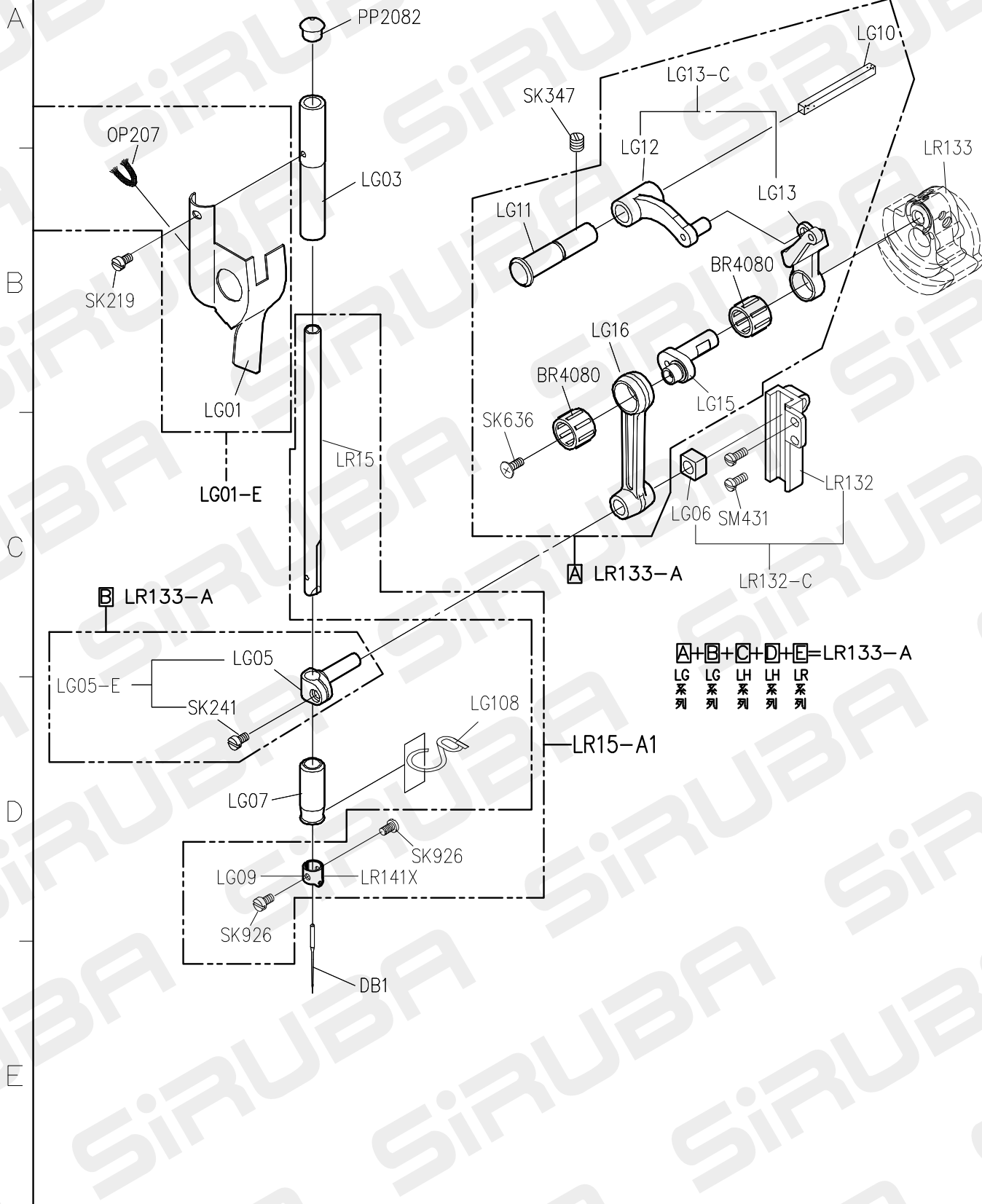
FOR L818F-RM1-U

10.02.07

L818F-RM1-U PARTS LIST FOR LE GROUP

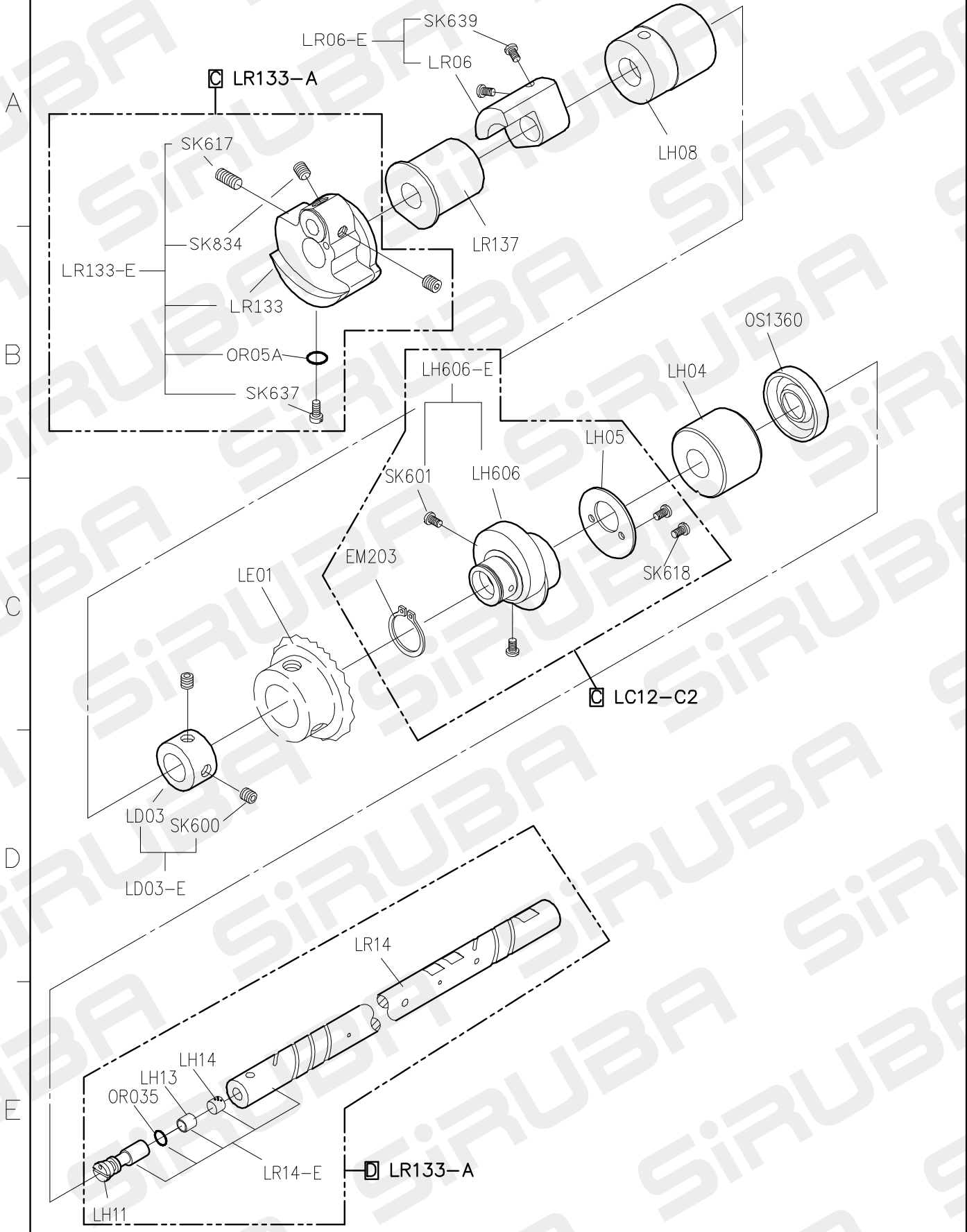


L818-RM1-U PARTS LIST FOR LG GROUP P.1/1



$\boxed{A} + \boxed{B} + \boxed{C} + \boxed{D} + \boxed{E} = \text{LR133-A}$
 LG 系 LG 系 LH 系 LH 系 LR 系
 系列 系列 系列 系列 系列

L818F-RM1-U PARTS LIST FOR LH GROUP



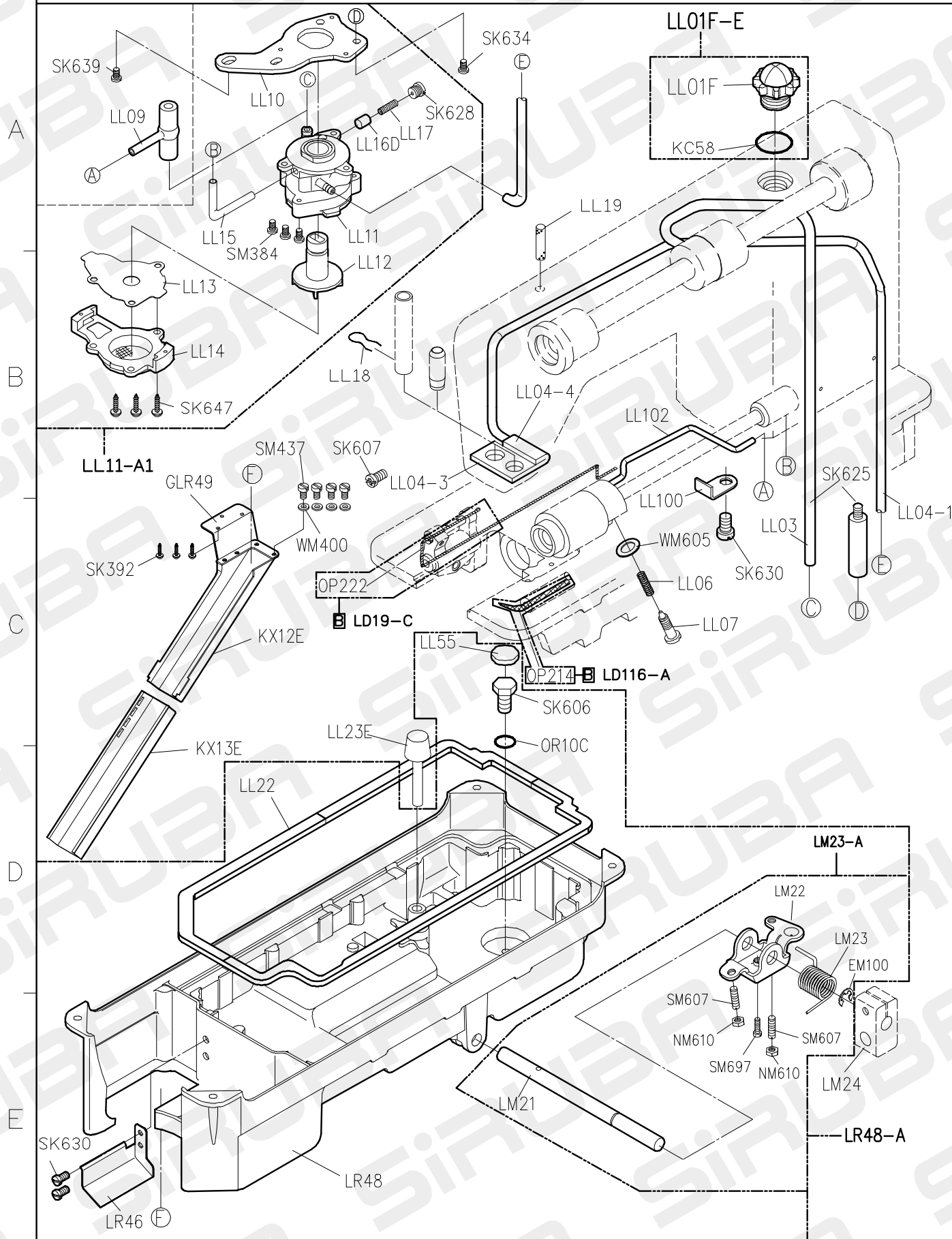
<p>A</p> <p>H 廠牌馬達</p>	<p>擺動式切刀</p> <p>GLH01-A1</p>	<p>旋轉式切刀</p> <p>GLH101-A1</p>
<p>B</p> <p>其他廠牌馬達 (可加後拉輪)</p>	<p>GLH01Q-E</p>	<p>GLH101Q-A1</p>
<p>C</p> <p>D</p> <p>P 廠牌馬達</p>	<p>GLH01P-A</p>	<p>GLH101P-A</p>
<p>E</p> <p>P 廠牌馬達 (可加後拉輪)</p>	<p>GLH01QP-A</p>	<p>GLH101QP-A</p>

1 2 3 4 5
FOR ALL L818F/L819 TRIMMER

10.02.07

*P 牌單剪線馬達

L818F-RM1-U PARTS LIST FOR LL GROUP P.1/1



FOR L818F-RM1-U

10.07.26

ALL-L818F PARTS LIST FOR LM GROUP

P.1/1

LM01H-A

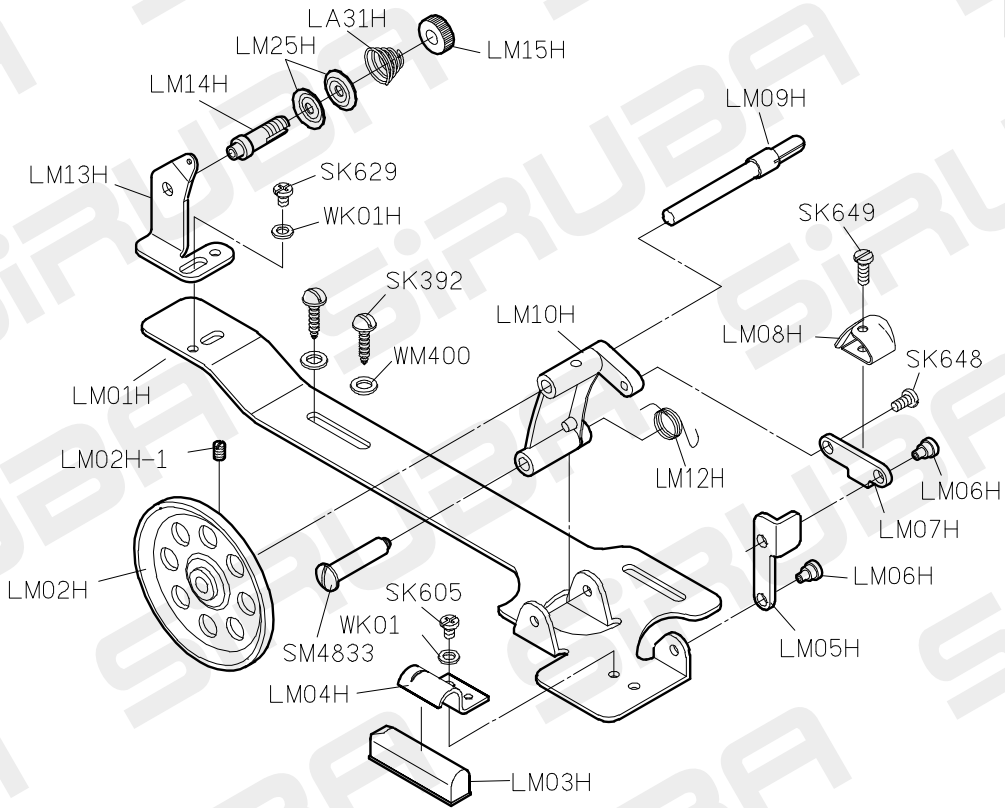
A

B

C

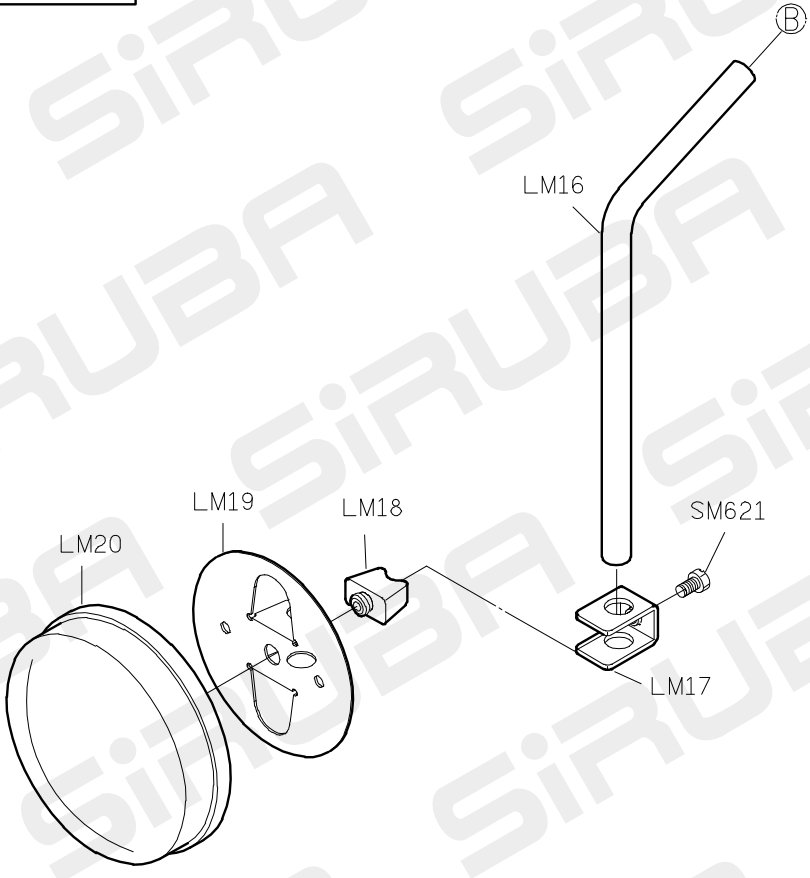
D

E



LM20-A

LM24-E



1

2

3

4

5

FOR ALL-L818F

10.07.12

L818F-RM1-U PARTS LIST FOR LR GROUP P.1/1

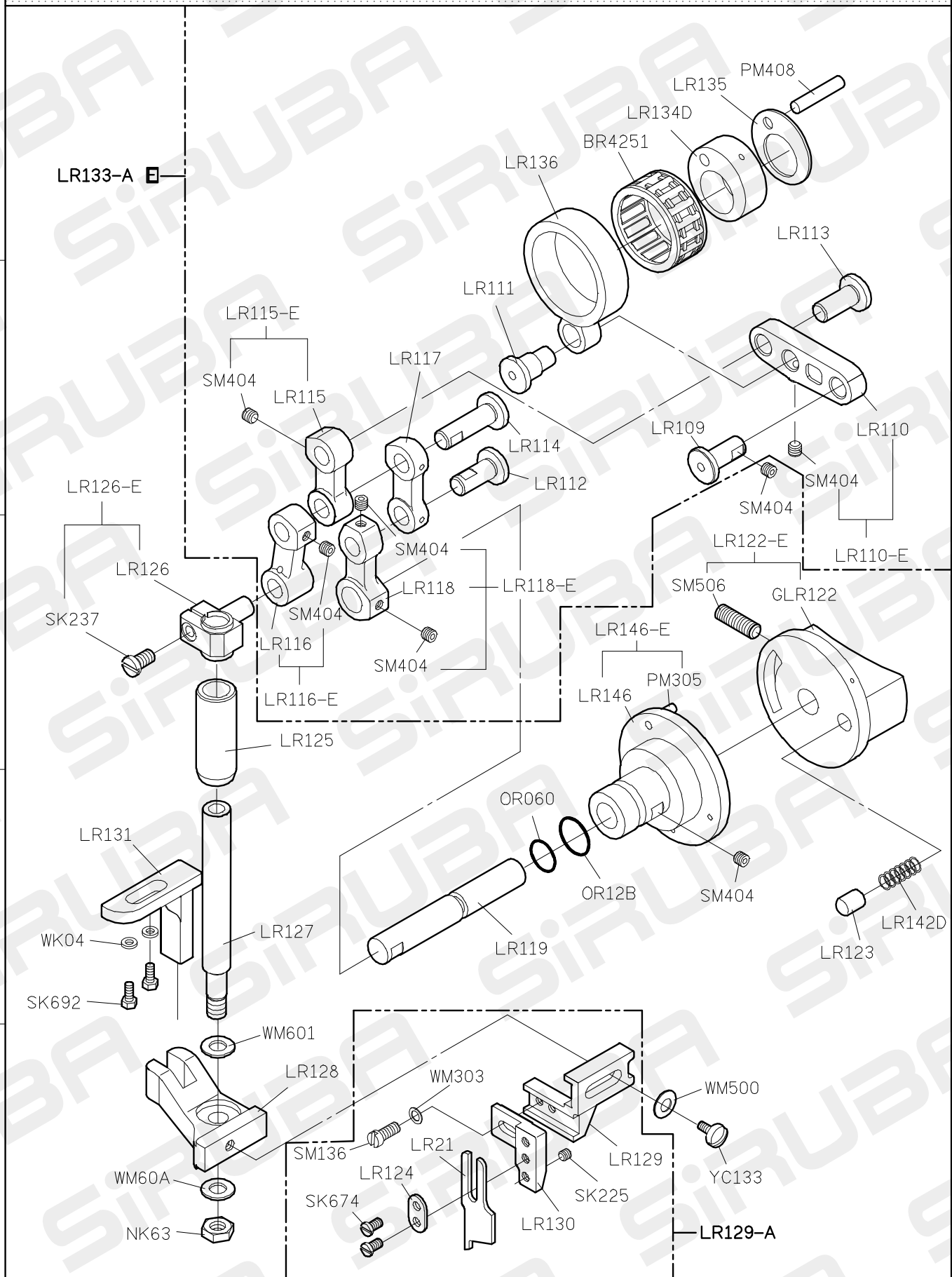
A

B

C

D

E



1
FOR L818F-RM1-U

2

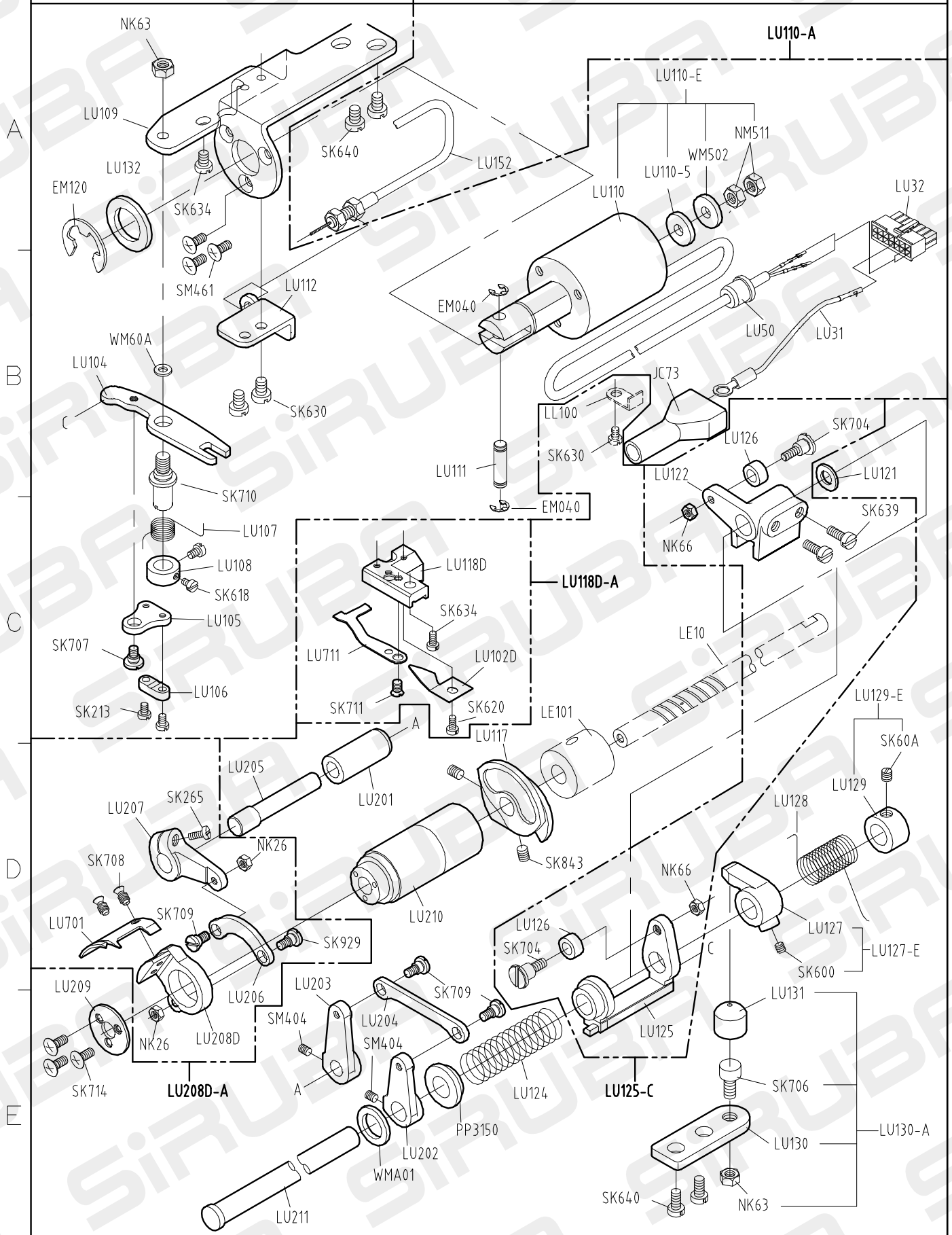
3

4

5

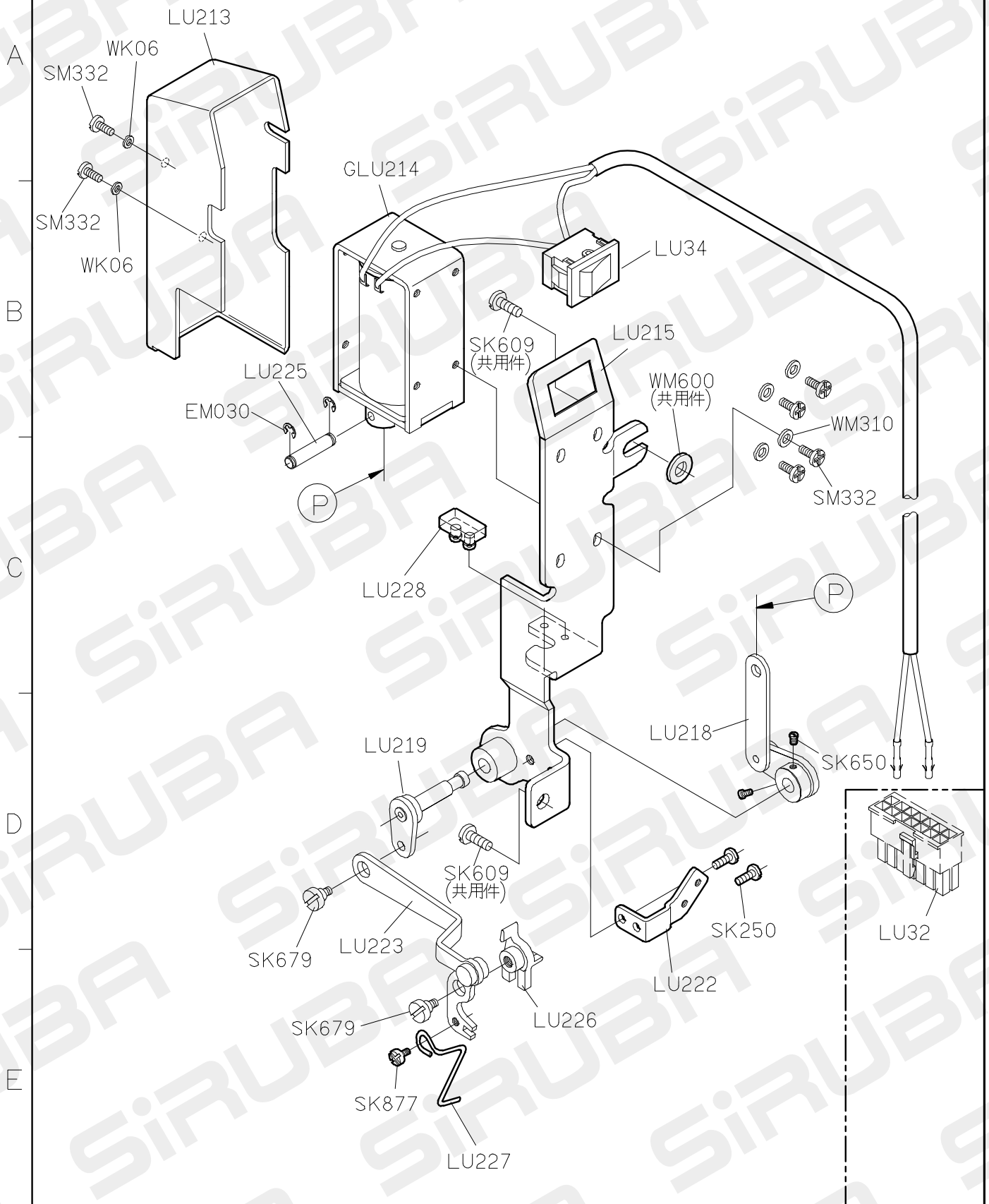
10.02.07

L818F-RM1-U PARTS LIST FOR LU GROUP P.1/5



L818F-RM1-U PARTS LIST FOR LU GROUP P.2/5

LU215-A



1

2

3

4

5

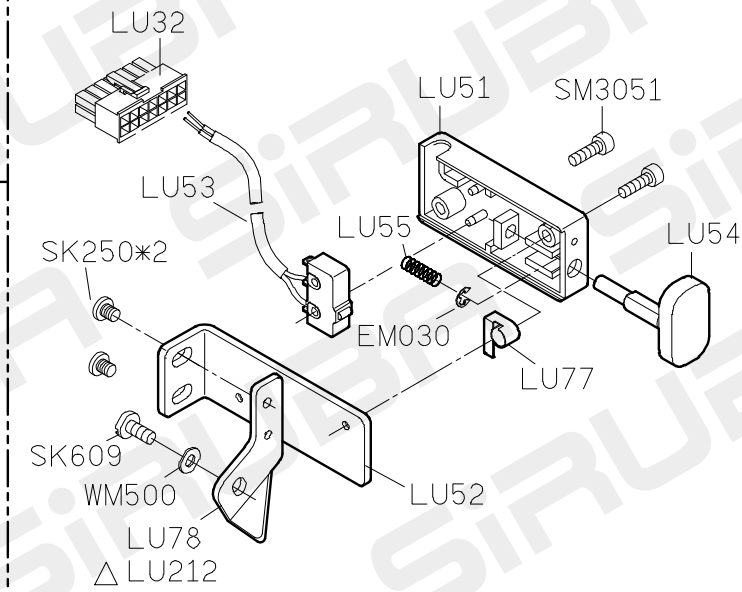
FOR L818F-RM1-U

10.02.07

L818F-RM1-U PARTS LIST FOR LU GROUP P.3/5

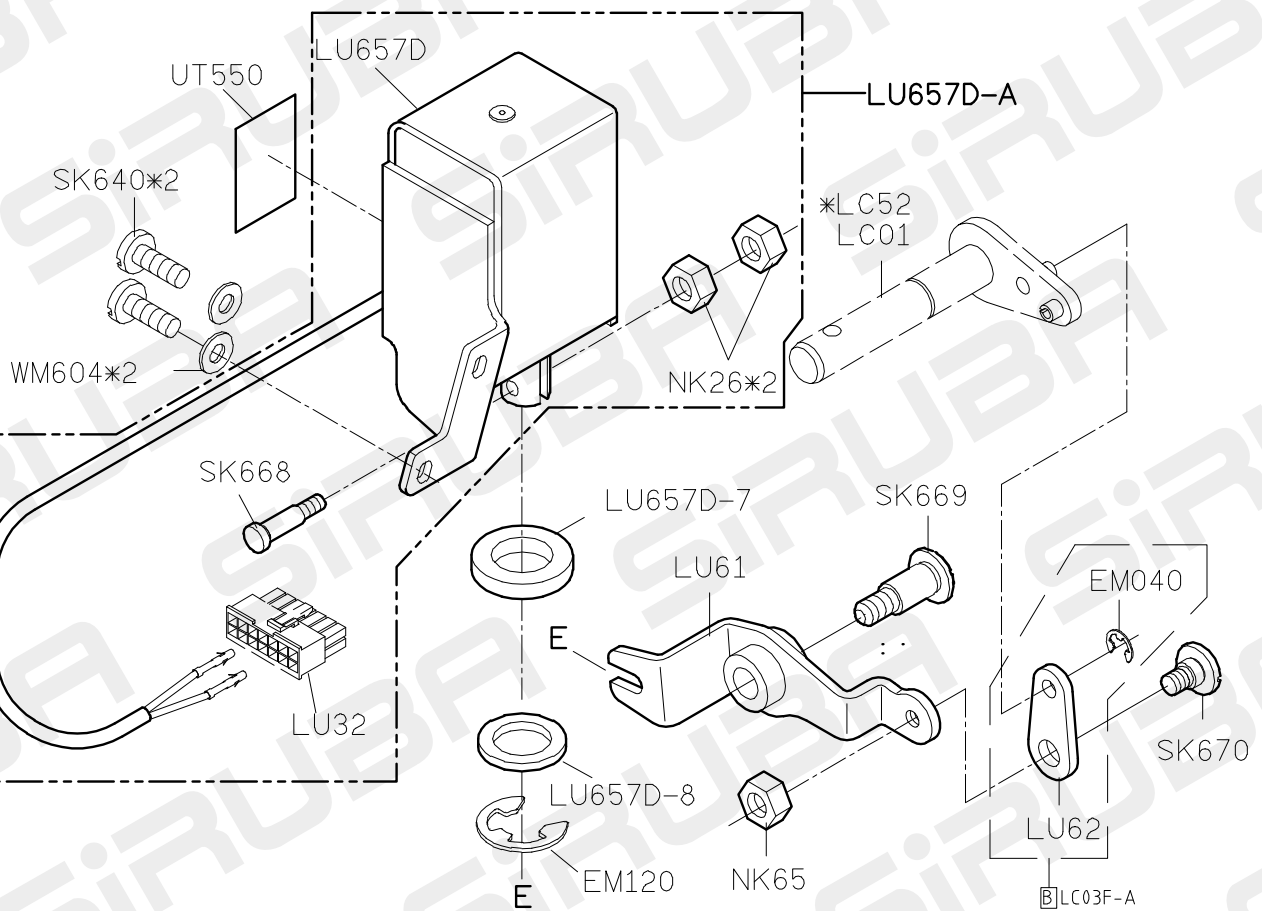
A

LU51-A



B

C



D

E

1

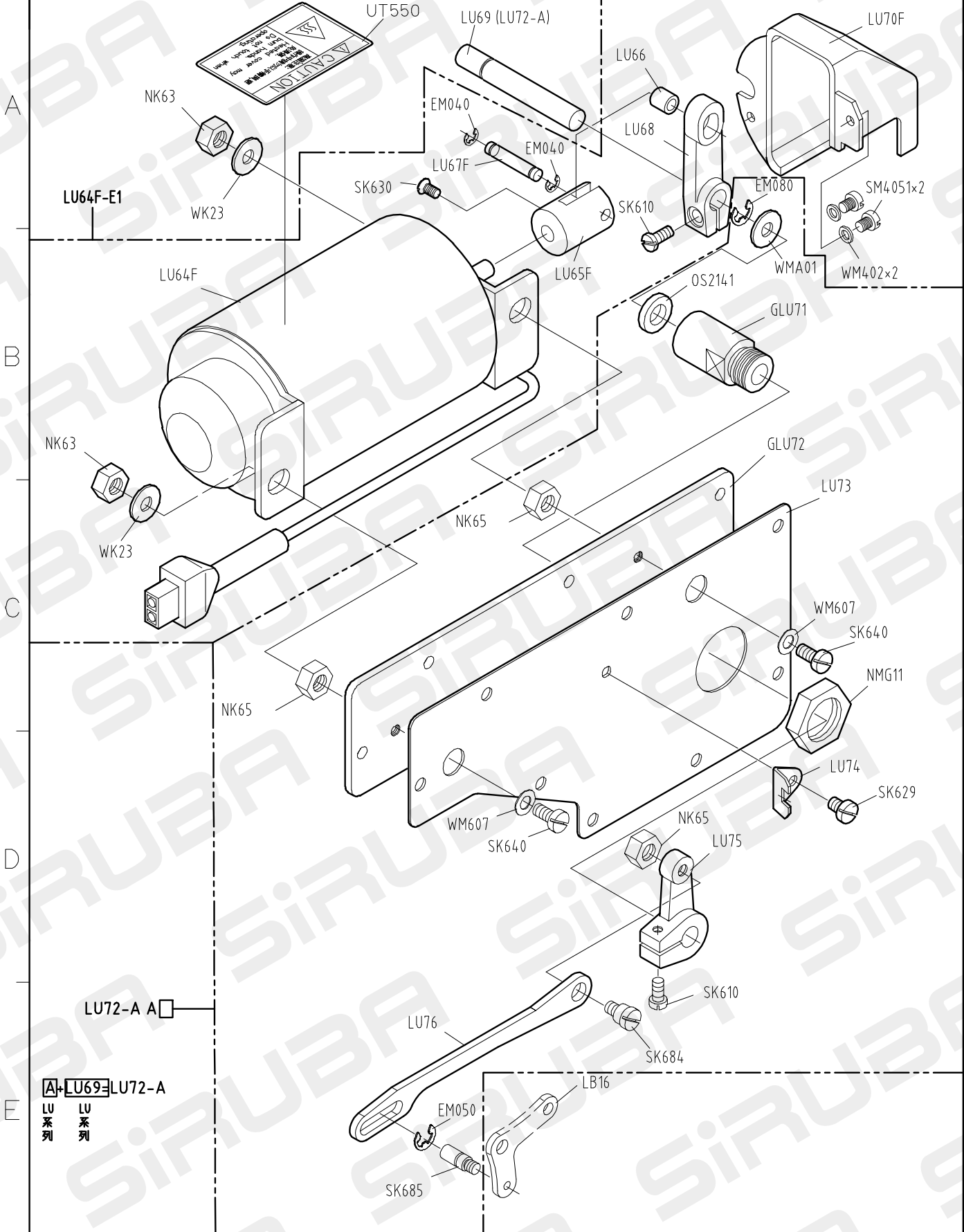
2

3

4

5

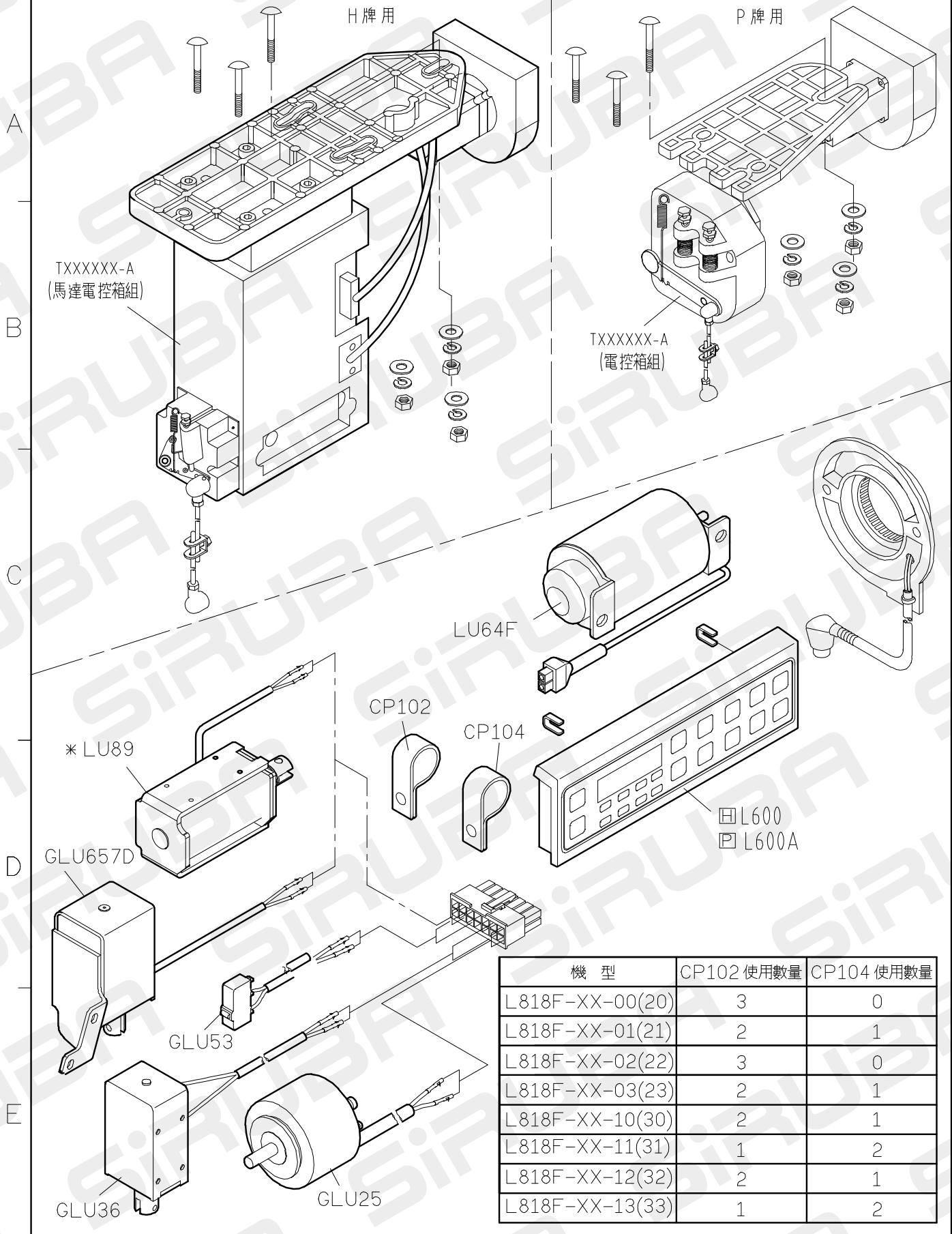
L818F-RM1-U PARTS LIST FOR LU GROUP P.4/5



A LU69 LU72-A
 LU 系列 LU 系列

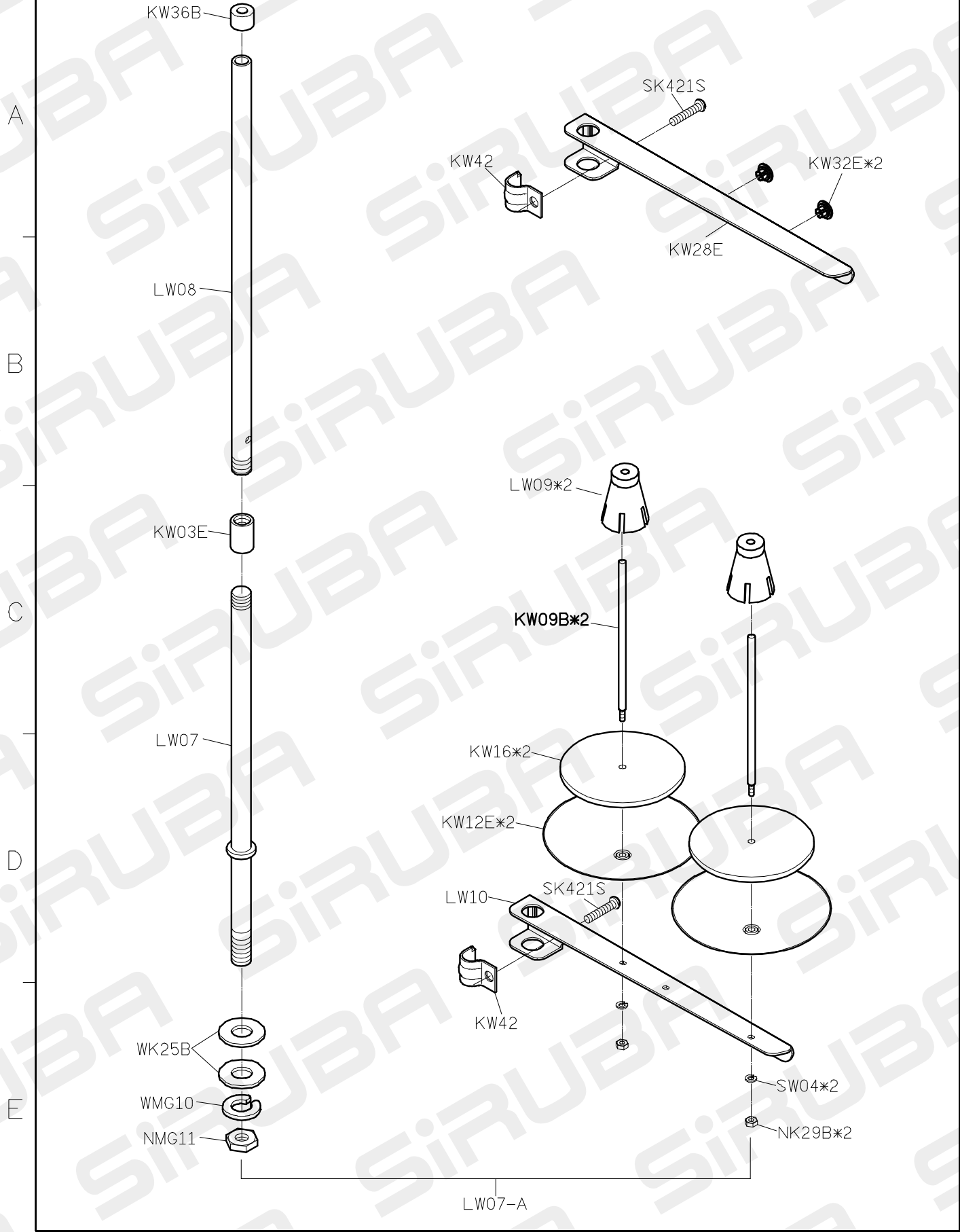
1 2 3 4 5 10.02.07

L818F-RM1-U PARTS LIST FOR LU GROUP



機 型	CP102 使用數量	CP104 使用數量
L818F-XX-00(20)	3	0
L818F-XX-01(21)	2	1
L818F-XX-02(22)	3	0
L818F-XX-03(23)	2	1
L818F-XX-10(30)	2	1
L818F-XX-11(31)	1	2
L818F-XX-12(32)	2	1
L818F-XX-13(33)	1	2

ALL-L818F PARTS LIST FOR LW GROUP P.1/1



L818F-RM1-U PARTS LIST FOR LZ GROUP P.1/1

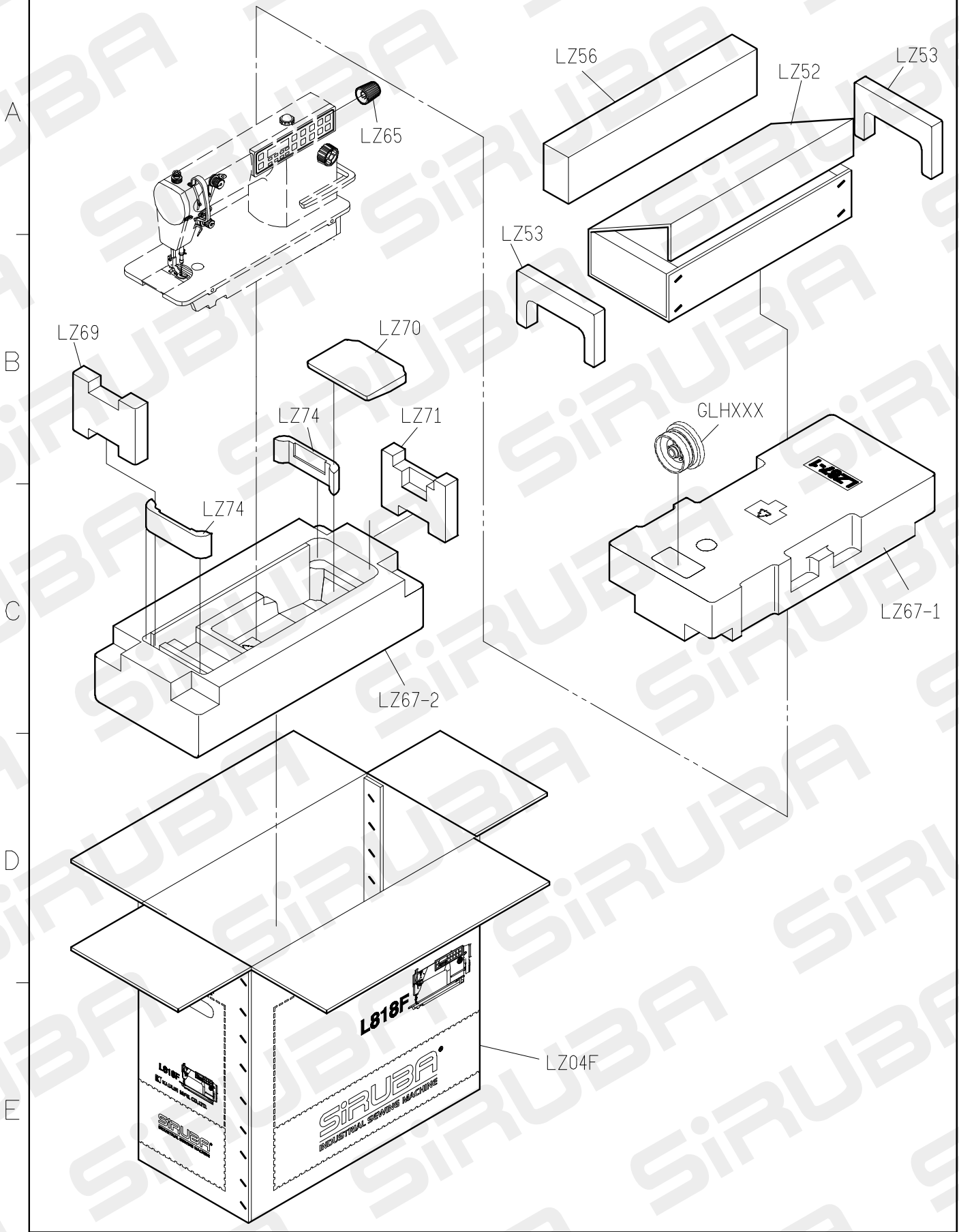
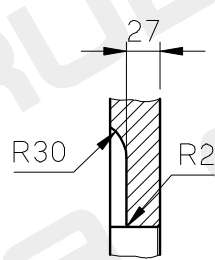
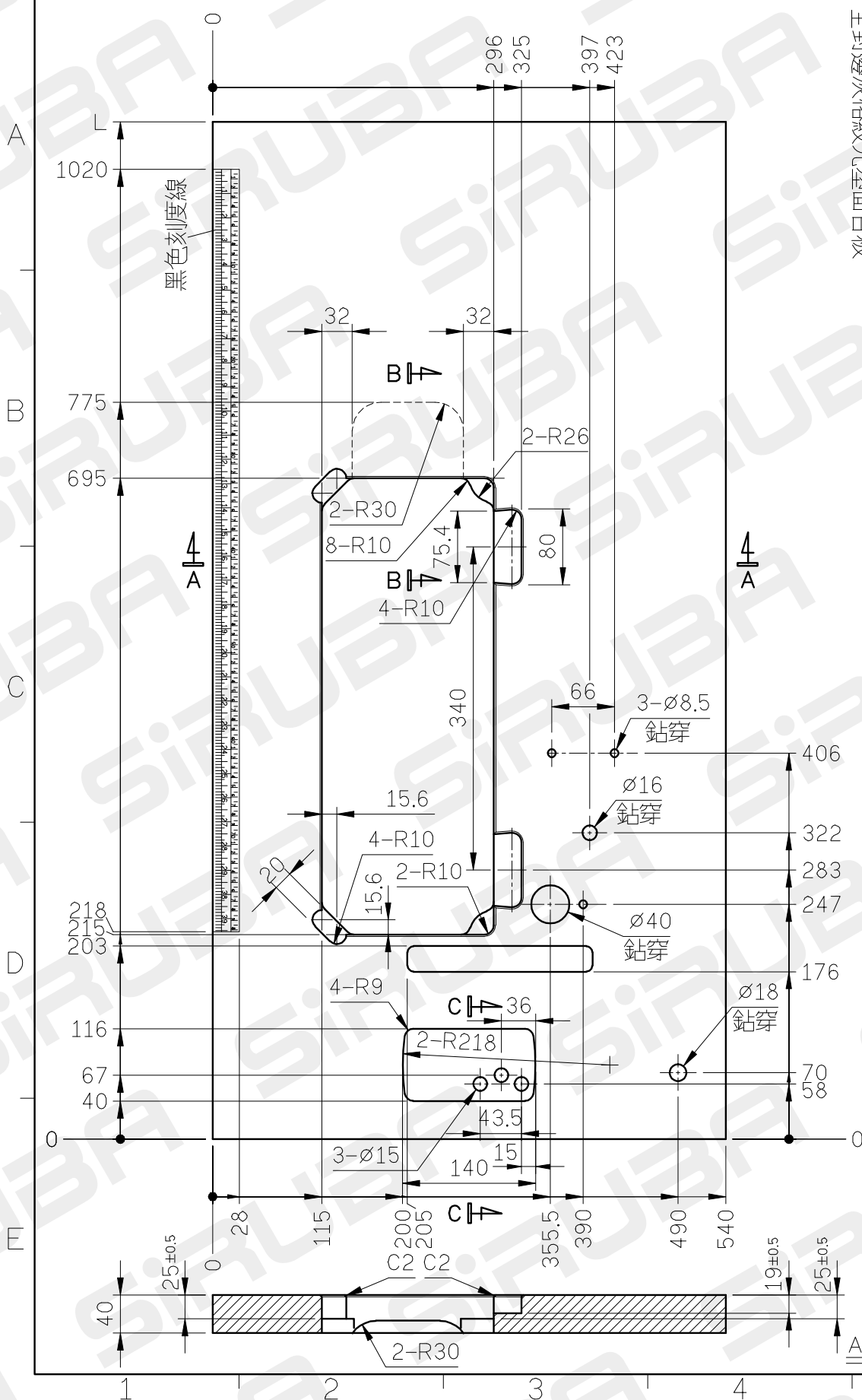


TABLE CUT-OUT OF L818F-T2

單針高速平縫下乘式車板圖
 TABLE CUT-OUT SEMI-SUBMERGED
 單位/UNIT:mm
 所有尺寸公差/DIFFERENCE:±2
 L818-T2-1070 長度(L):1070/重量:1.0kg±5%
 L818-T2 長度(L):1200/重量:1.14kg±5%
 全封邊灰格紋光塑面台板



B-B 剖面

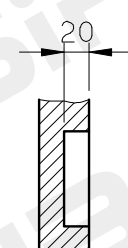
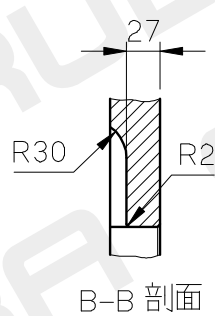
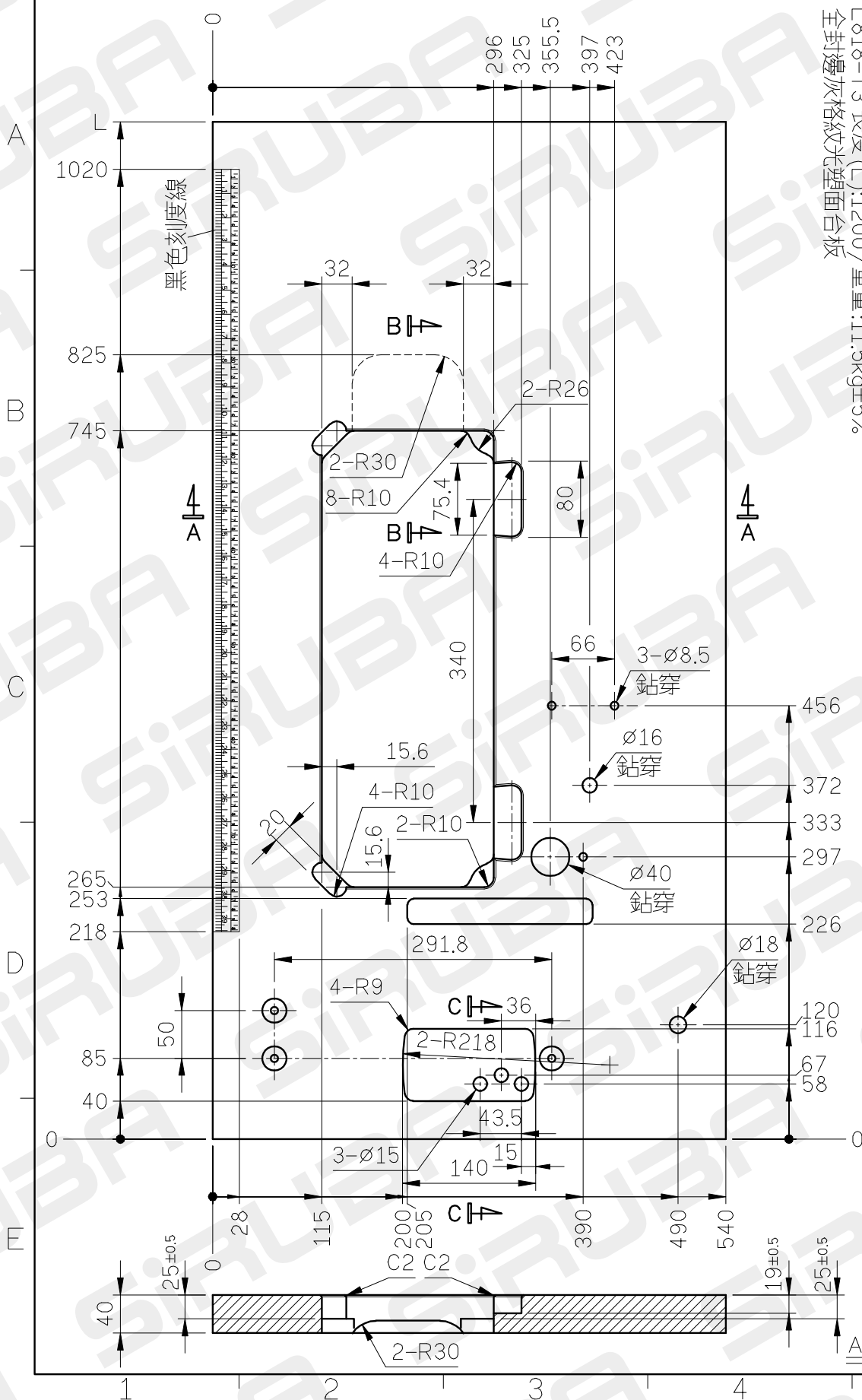


C-C 剖面

A-A 剖面

TABLE CUT-OUT OF L818F-T3

單針高速平縫下乘式車板圖
 TABLE CUT-OUT SEMI-SUBMERGED
 單位/UNIT:mm
 FOR MOTOR:L600A
 所有尺寸公差/DIFFERENCE:±2
 L818-T3-1070 長度(L):1070/重量:10.5kg±5%
 L818-T3 長度(L):1200/重量:11.5kg±5%
 全封邊灰格紋光塑面台板



A-A 剖面

C-C 剖面