

SIRUBA[®]

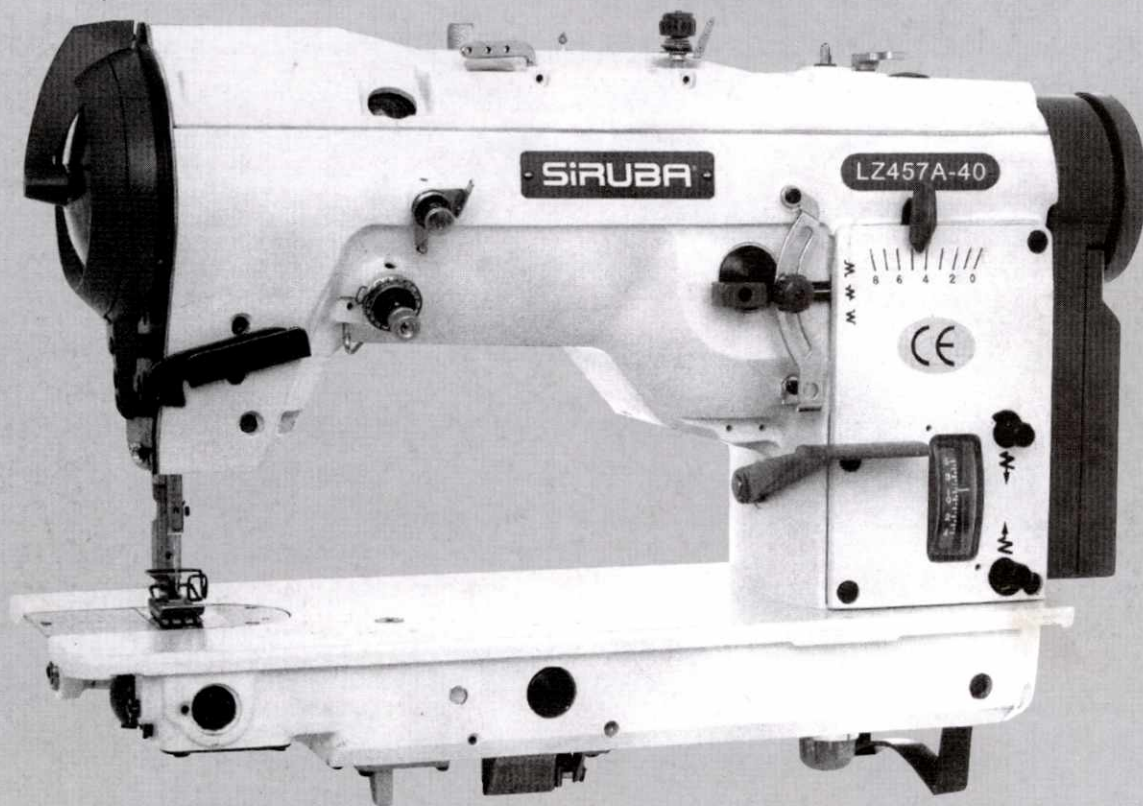
銀箭牌工業用縫紉機

INDUSTRIAL SEWING MACHINE

LZ457A

使用說明與零件圖

INSTRUCTION AND PARTS LIST



高林股份有限公司
KAULIN MFG. CO., LTD.

Contents

Application	2
Notes on safety	2
Commissioning	2
Oiling	2
Needle and thread	3
Inserting the needle	3
Winding the bobbin	3
Threading the bobbin case	3
To remove the bobbin case	4
Threading the machine	4
Regulating the needle thread tension	5
Regulating the pretension	5
Regulating the bobbin thread tension	5
Regulating the take-up spring	5
Regulating the presser foot pressure	5
Regulating the stitch length	6
(457A105/125/135/143/505/525/535/543)	
Regulating the stitch length (457A140)	6
Selecting the needle position	6
(457A105/125/135/140/505/525/535)	
Setting the stitch width	6
(457A105/125/135/140/505/525/535)	
Setting the stitch width (457A143/543)	7
Regulating the amount of oil flow to sewing hook	7
Back tack switch	7
(457A505G/505F/525G/525F/535G/535F/543G/543F)	
Adjusting the slack needle thread regulator	8
(457A505E/505F/525E/525F/535E/535F/543E/543F)	
Adjusting the bobbin thread holder	8
(457A505/525/535/543)	
Adjusting the length of thread end in needle eye	8
(457A505/525/535/543)	
Adjusting the needle tread holder puller	8
(457A505E/505F/525E/525F/535E/535F/543E/543F)	
Installing the belt guard	9
Specifications	9
Machine care	9

APPLICATION

High speed single needle lock stitch zigzag machine.
High speed single needle lock stitch zigzag machine with automatic thread trimmer.

NOTES ON SAFETY

The machine must only be commissioned in full knowledge of the instruction manual and operated by persons with appropriate training.

Before putting into service also read the safety notes and the instruction manual of the motor supplier.

The machine must be used only for the purpose intended. Use of the machine without the safety devices belonging to it is not permitted.

When gauge parts are exchanged (e.g. needle, presser foot, needle plate, feed dog and bobbin), during threading, when the workplace is left, and during service work, the machine must be isolated from the mains by switching off the main switch or disconnecting the mains plug.

On mechanically operated clutch motors without start inhibitor it is necessary to wait until the motor has stopped.

General servicing work must be carried out only by appropriately trained persons.

Repairs, conversion and special maintenance work must only be carried out by technicians or persons with appropriate training.

For service or repair work on pneumatic systems the machine must be isolated from the compressed air supply system. Exceptions to this are only adjustments and function checks made by appropriately trained technicians.

Work on the electrical equipment must be carried out only by electricians or appropriately trained persons.

Work on parts and systems under electric current is not permitted, except as specified in regulations EN50110.

Conversions or changes to the machine must be made only on adherence to all safety regulations.

For repairs, only replacement parts approved by us must be used.

Commissioning of the sewing head is prohibited until such time as the entire sewing unit is found to comply with EC regulations.

Meanings of the symbols:



Danger spot!
Items requiring special attention



Danger of injury to operative or service staff
Be sure to observe and adhere to these safety notes!

COMMISSIONING



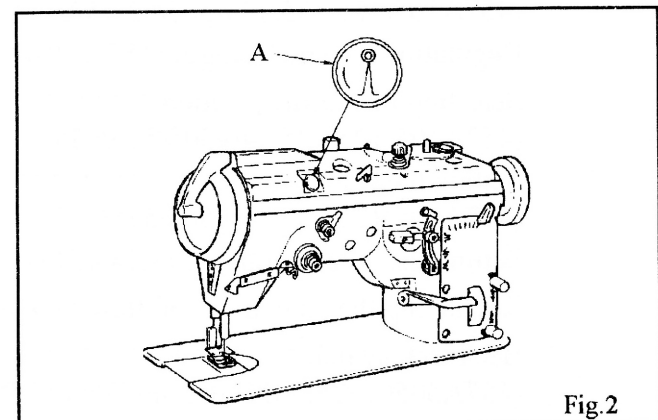
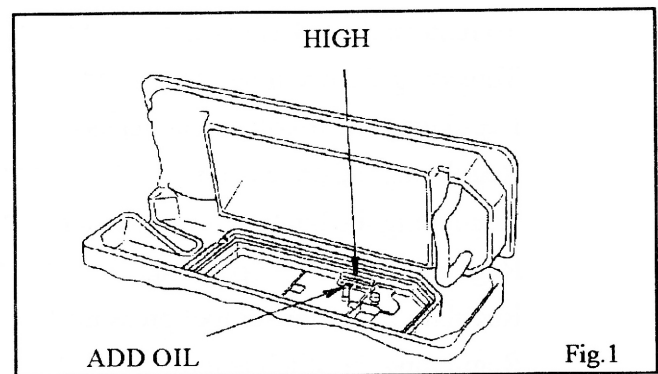
To avoid disturbances or damages it is absolutely necessary to observe the following instructions:

Before you put the machine into operation for the first time clean it thoroughly, and oil it well (see page 2).

Have the machine check whether the motor can be used with existing mains voltage or not, and that junction box is correctly connected. Do not start the machine if the voltage is not correct!

When the machine runs, the balance wheel must rotate toward the operator. If it does not, have the electrician change the wires on the motor.

OILING



Switch off the machine.
Set sewing head upright again using both hands.
Danger of crushing between sewing head and table top.

Tip machine back on its hinges and fill the oil reservoir to HIGH mark as illustrated in Fig. 1.

Correct lubrication is indicated by a continuous stream of oil passing the oil flow window A while machine is running, as shown in Fig. 2.

Should this oil flow become erratic, STOP the machine and check the reservoir oil level, fill if needed.

At least twice each month, check the oil level in the reservoir. Never allow the oil level to drop below add oil mark, shown in Fig. 1.

Only use oil with a viscosity of 20.0 mm²/sec. at 38 ° C and a density of 0.888 g/cm³ at 15 ° C. We recommend SINGER C-oil.

NEEDLE AND THREAD

Size of needle should be determined in accordance with the size of thread used and type of material being sewn. A correct size needle will permit the thread to pass freely through the eye of the needle and avoid strain and breaking. A bent needle will cause your machine to skip stitches. A hook or burr on the needle point will result in a finish that looks blurred and when short stitches are used some materials may be cut. Therefore, to obtain best sewing results, use SINGER needles.

Application of class		For light-weight materials	For medium-weight materials
Max. thread size-synthetic ▲	Metric No.	120-100	100- 60
	Cotton No.	80- 60	60- 30
Needle size	JIS(SINGER)	#8-#10	#12-#16
	Metric	60- 70	80-100
Catalog No. (Needle system)		1906-01 (135×53)	1906-07 (135×53 M Ball)
		8752-64 (135×53 Lg Ecc G L Ball)	
▲ or an equivalent size of other type of thread.			

INSERTING THE NEEDLE (See Fig. 3)

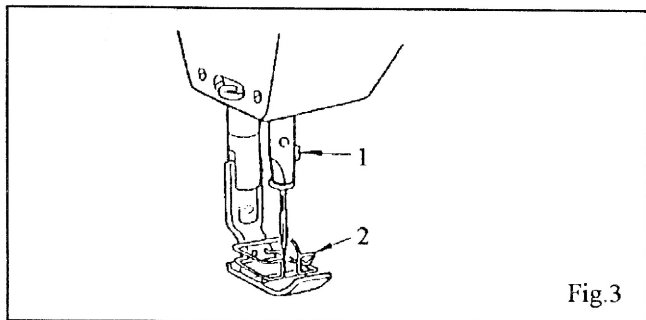


Fig.3



Switch off the machine.
Do not operate without finger guard (2)! (See Fig. 3)
Danger of injury!

Use cat. No. 1906-01 (135 × 53), 1906-07 (135 × 53 M Ball), 8752-64 (135 × 135 Lg G Ecc L Ball) needles only. (See table page.)

Set the needle bar at its highest point. Loosen needle set screw (1). (see Fig. 3) Insert the needle in the needle bar and push it up as far as it will go. Make sure its long groove faces toward the front. Tighten needle set screw (1) securely.

WINDING THE BOBBIN (See Fig.4)

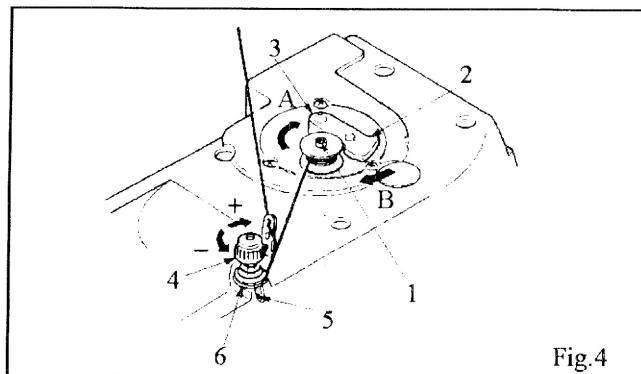


Fig.4

Bobbin winder spindle (1) rotates in the direction of arrow (A).

Push lever (2) in the direction of arrow (B) to wind the bobbin. To adjust amount of thread on bobbin, loosen set screw (3) in lever (2) and move lever (2), as required. Securely tighten set screw (3).

Adjust the thumb nut (4) to regulate the tension for bobbin winding.

If thread winds unevenly on bobbin, loosen screw (5) and move bobbin winder pretension (6) up or down, as required, and tighten screw (5).

THREADING THE BOBBIN CASE

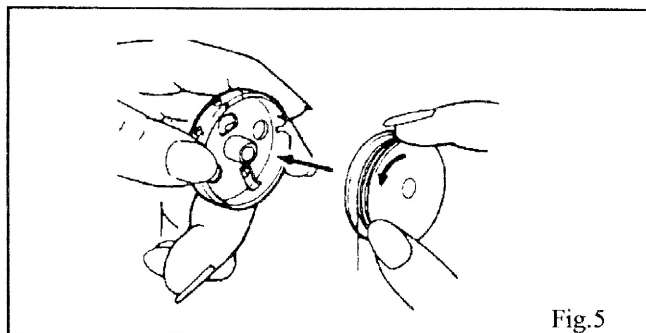


Fig.5

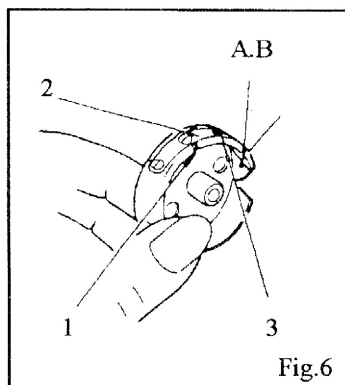


Fig.6

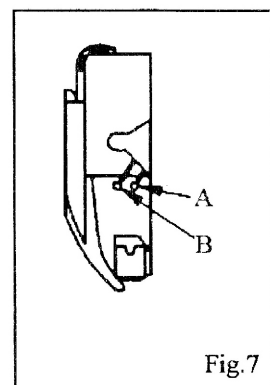


Fig.7



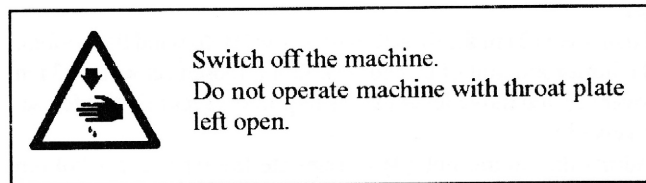
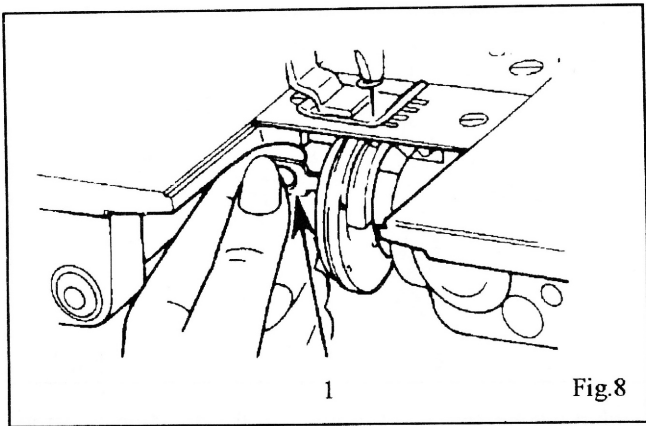
Switch off the machine.

Hold bobbin so that thread will unwind in the direction shown in Fig. 5 and place the bobbin into bobbin case.

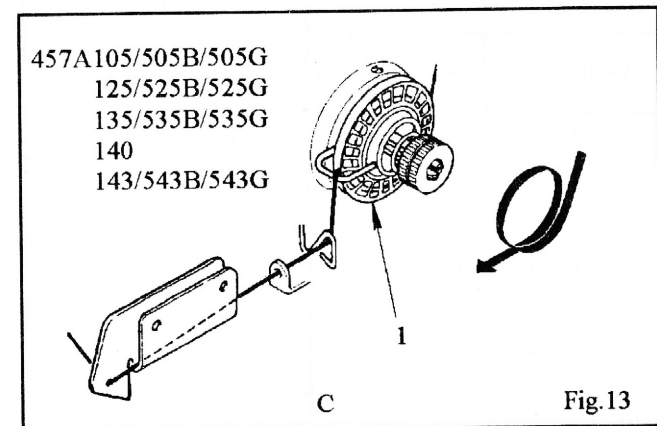
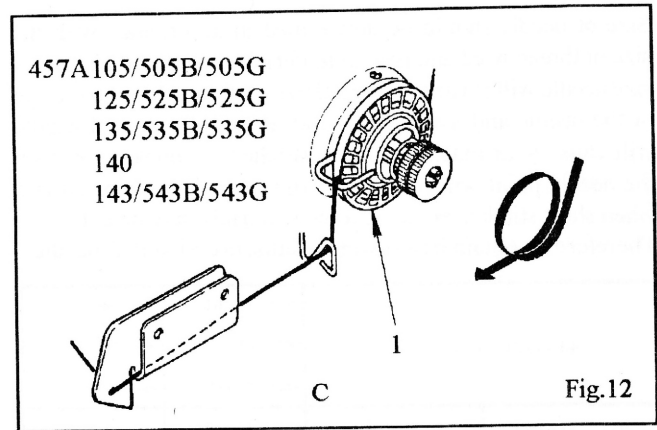
Pull the thread into slot (1) and under the tension spring (2) and into slot (3) as shown in Fig. 6. Then draw thread into delivery eye (A or B), as shown in Fig. 6. Use delivery eye (A) for sewing light weight material, as shown in Fig. 7.

Use delivery eye (B) for sewing medium weight material.

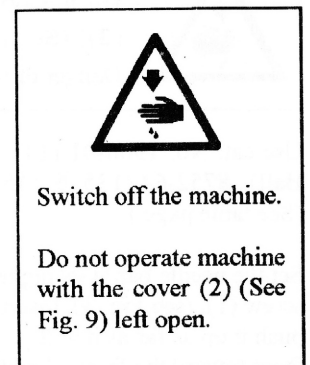
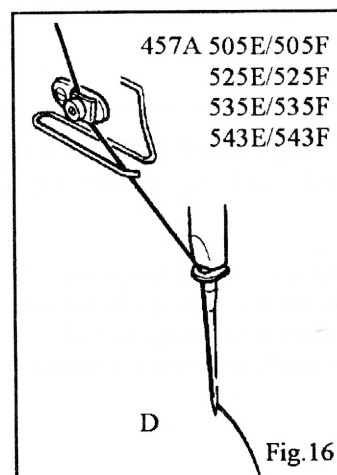
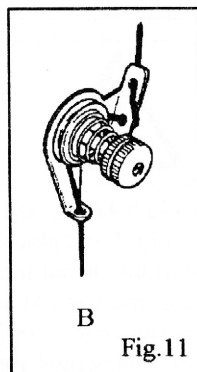
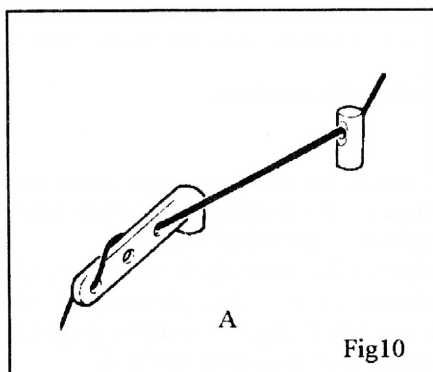
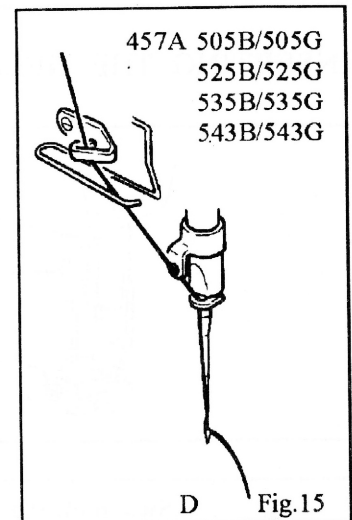
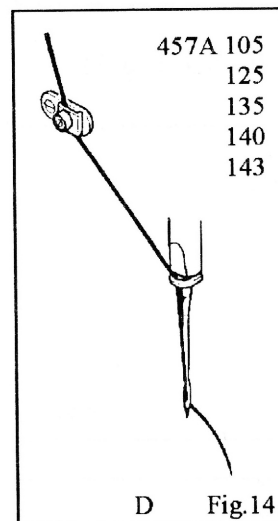
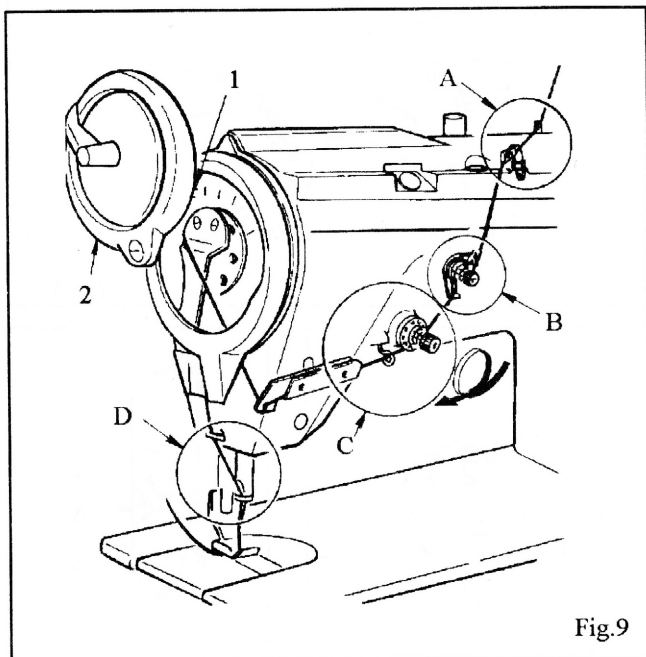
TO REMOVE THE BOBBIN CASE



Open latch (1) and remove bobbin case from sewing hook.
(Fig. 8)



THREADING THE MACHINE



Check and make sure no thread is caught in the rotary take-up before threading the machine.

CAUTION: Be careful not to injure your fingers with the thread cutter (1), Fig. 9, on the face plate when threading the rotary take-up.

Pass the thread from the unwinder through threading points A (Fig. 10), B (Fig. 11), C (Figs. 12 and 13) and D (Figs. 14, 15 and 16) in the order shown.

NOTE: When passing thread through threading point C (Figs. 12 and 13), wind thread around rotary tension wheel (1) once.

REGULATING THE BOBBIN THREAD TENSION

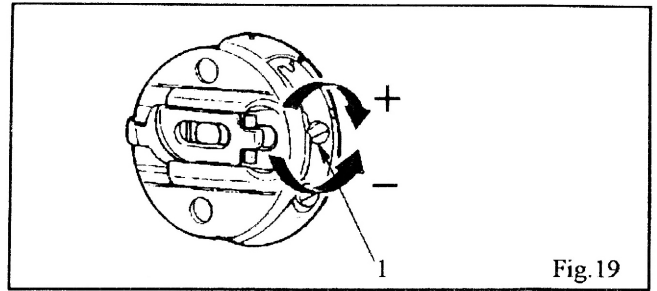


Fig.19

Regulate bobbin thread tension with tension regulating screw (1) as shown in Fig. 19.

REGULATING THE NEEDLE THREAD TENSION

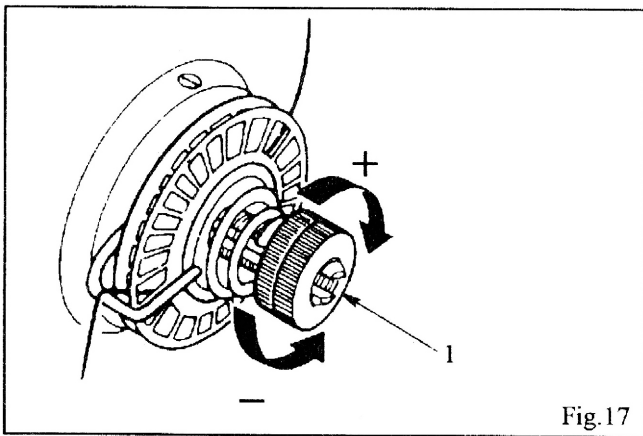


Fig.17

Regulate needle thread tension with tension regulating thumb nut (1) as shown in Fig. 17.

REGULATING THE TAKE-UP SPRING

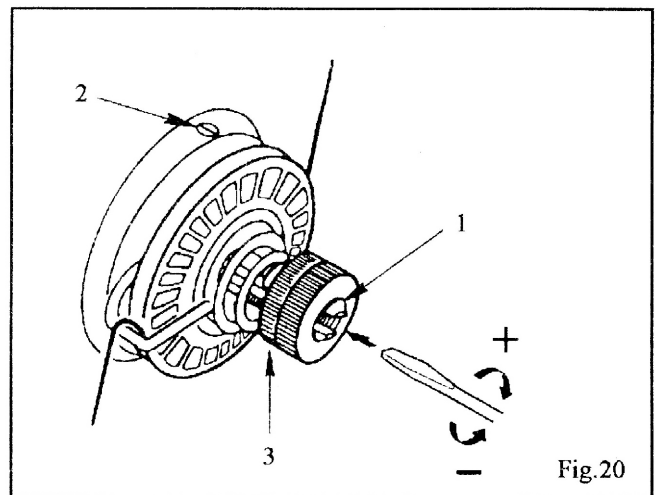


Fig.20

Using a large screwdriver in slot of stud (1), regulate take-up spring tension by turning stud (1), as required.

To adjust the amount of take-up spring movement, loosen screw (2), Fig. 20, and set take-up spring height by turning the entire tension assembly (3) toward left or right, as required. Securely tighten screw (2).

REGULATING THE PRETENSION

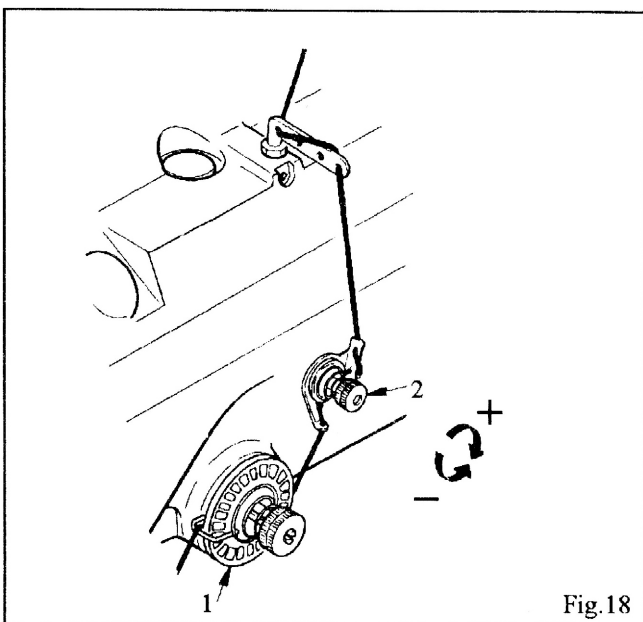


Fig.18

Pretension thumb nut (2) should be adjusted so that the needle thread will rotate the rotary tension wheel (1) without slippage. (Fig. 18)

REGULATING THE PRESSER FOOT PRESSURE

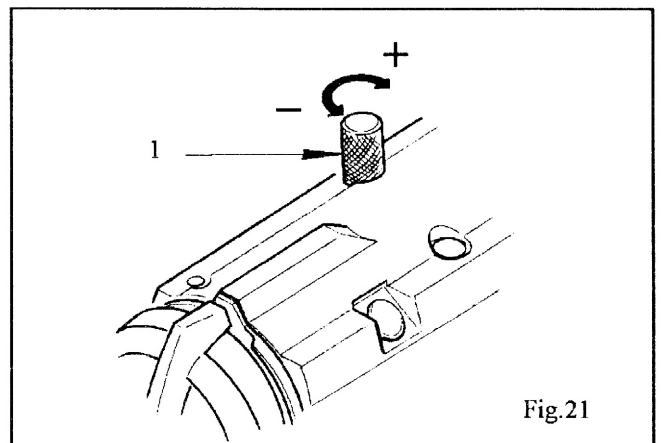


Fig.21

To regulate the presser foot pressure, turn knurled thumb screw (1), Fig. 21, toward left or right as required.

REGULATING THE STITCH LENGTH
(457A 105/125/135/143/505/525/535/543)

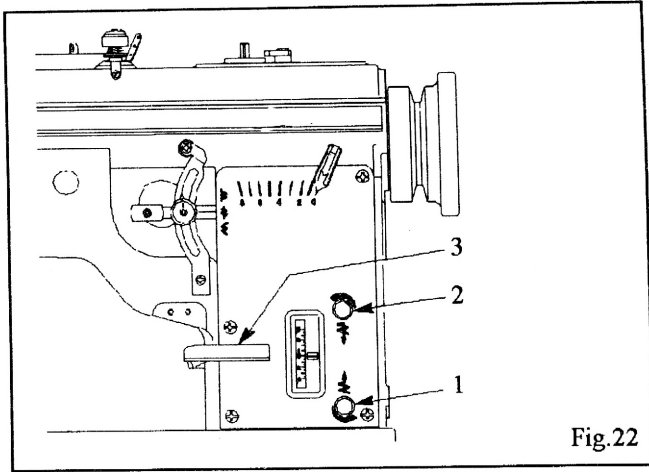


Fig.22

To regulate stitch length for forward feed, turn stitch length regulating screw stud (1), Fig. 22, clockwise to shorten the stitch length and counterclockwise to lengthen the stitch length.

To regulate stitch length for reverse feed, turn stitch length regulating screw stud (2), Fig. 22, clockwise to shorten the stitch length and counterclockwise to lengthen the stitch length.

To change the direction of feed for back tacking, depress feed reverse lever (3) quickly to lowest position and hold lever (3) in this position until back tack is completed. The machine will return to forward feed when lever (3) is released.

REGULATING THE STITCH LENGTH
(457A140)

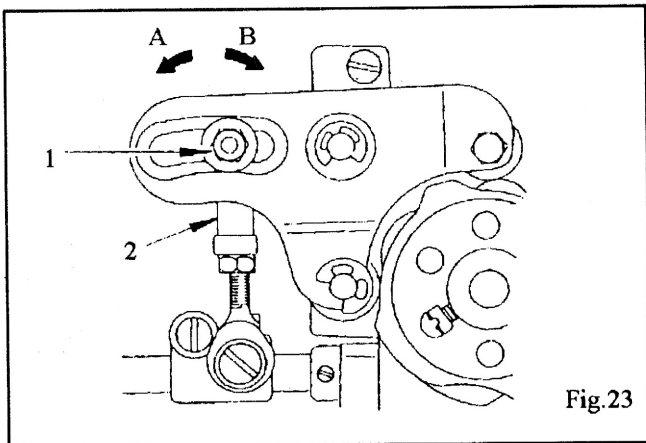



Fig.23



Switch off the machine.
Set sewing head upright again using both hands. Danger of crushing between sewing head and table top.

To regulate the stitch length, tip machine back on its hinges, loosen lock nut (1) and turn rod (2), as required. (Fig. 23)

To make the stitch length longer, move rod (2) in the direction of arrow (A).

To shorten the stitch length, move rod (2) in the direction of arrow (D).

SELECTING THE NEEDLE POSITION
(457A 105/125/135/140/505/525/535)

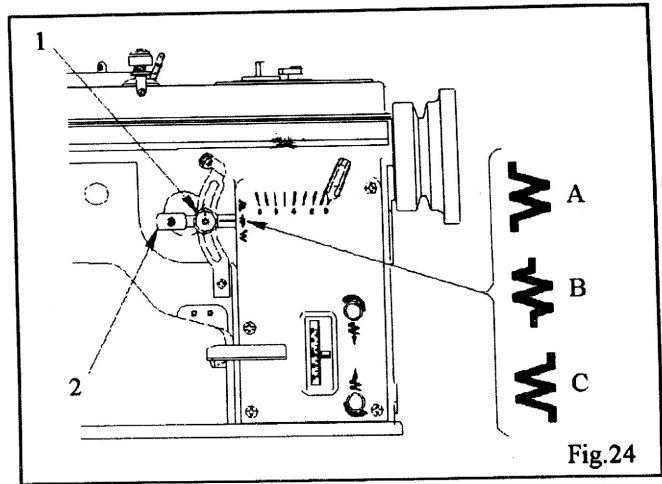


Fig.24

To select desired needle position, loosen thumb nut (1) and move lever (2) to desired needle position & tighten thumb nut.

- A ... Left needle position
- B ... Center needle position
- C ... Right needle position

SETTING THE STITCH WIDTH
(457A 105/125/135/140/505/525/535)

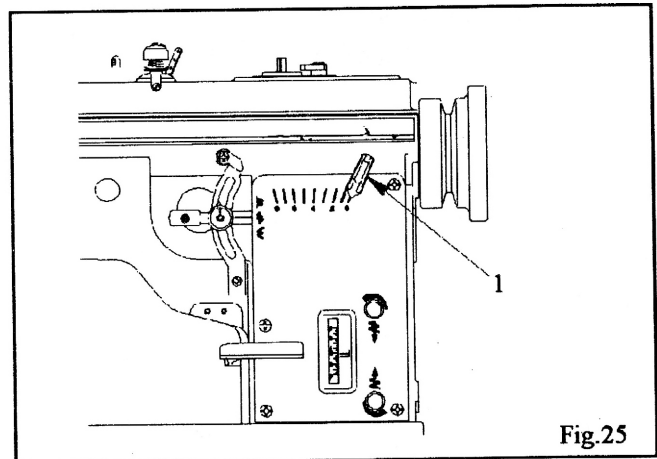


Fig.25

The width of zigzag stitch is regulated with lever (1), Fig. 25.

- 457A125/525 0 ~ 5mm
- 457A105/135/140/505/535 0 ~ 8mm

SETTING THE STITCH WIDTH
(457A 143/543)

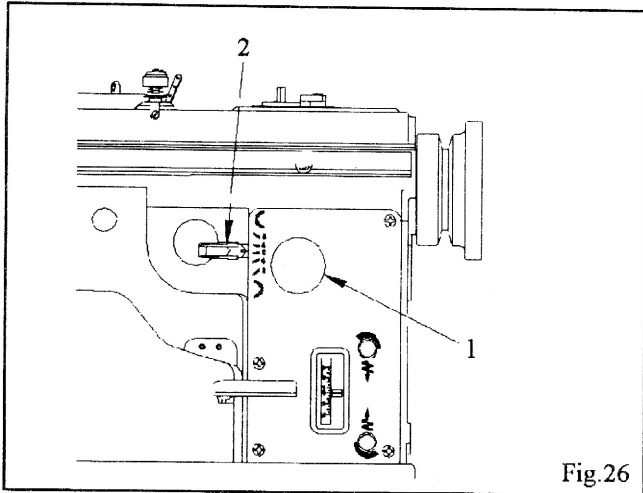


Fig.26

To regulate the width of zigzag stitch, loosen thumb screw(1), Fig. 26, and set lever (2) to desired setting.

REGULATING THE AMOUNT OF OIL FLOW TO SEWING HOOK

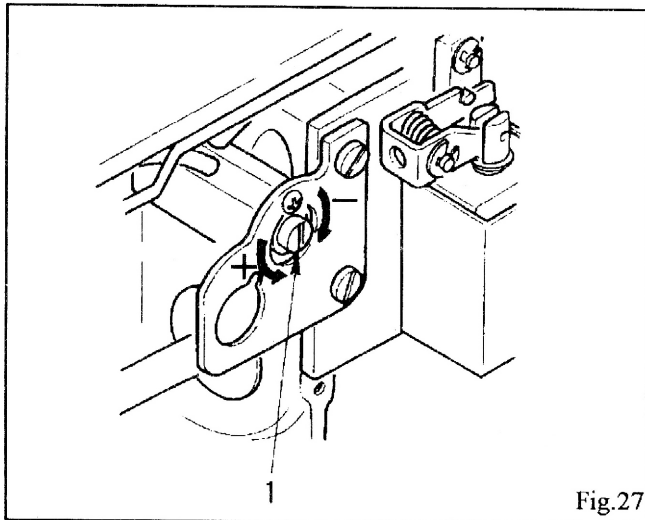


Fig.27

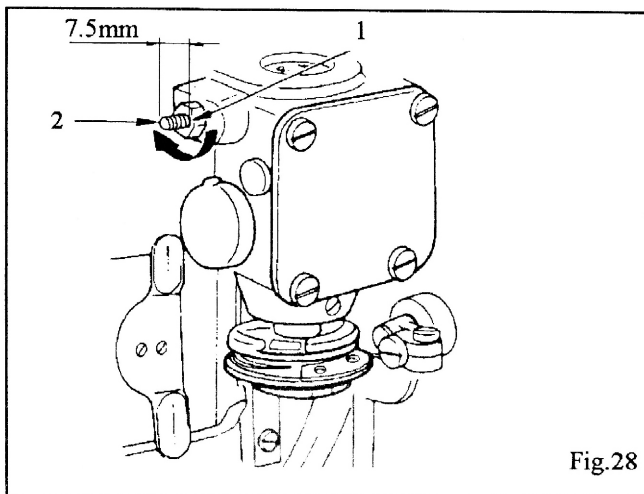


Fig.28



Switch off the machine.
Set sewing head upright again using both hands. Danger of crushing between sewing head and table top.

To regulate the amount of oil flow to sewing hook, tip machine back on its hinges and turn oil flow regulating valve (1) as shown in Fig. 27.

To decrease the amount of oil flow, turn valve clockwise.
To increase the amount of oil flow, turn valve counterclockwise.

NOTE: If oil supply to sewing hook is still not sufficient even when oil flow regulating valve (1) is adjusted to maximum, loosen nut (1), Fig. 28, and turn oil flow regulating screw (2) in the direction of arrow (A).
(Oil flow regulating screw (2) is adjusted to approximately 7.5mm when machine leaves the factory.)

BACK TACK SWITCH

(457A505G/505F/525G/525F/535G/535F/543G/543F)

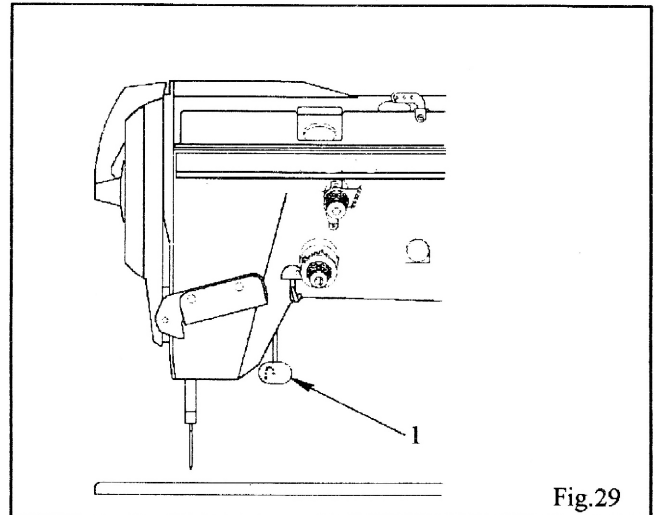


Fig.29

Push back tack switch (1), Fig. 29, for back tacking. The machine will continue to sew in reverse while the back tack switch is pushed.

ADJUSTING THE SLACK NEEDLE THREAD REGULATOR

(457A 505E/505F/525E/525F/535E/535F/543E/543F)

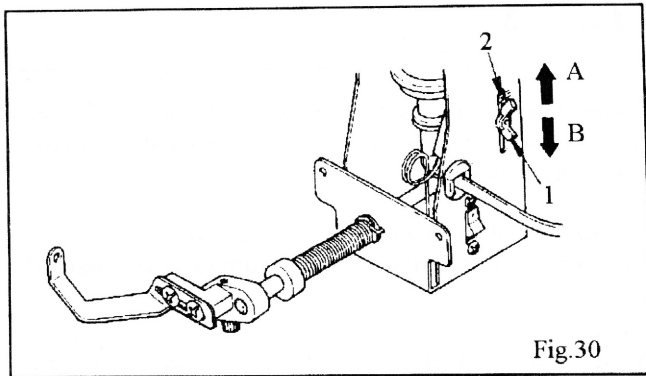


Fig.30



Switch off the machine.

To adjust the slackness of the needle thread, loosen wing bolt (1) and slide it up or down, as required, using the indicator (2) and graduation as a yardstick as shown in Fig. 30.

Move wing bolt upward in the direction of arrow (A) to increase slackness.

Move wing bolt downward in the direction of arrow (B) to decrease slackness.

NOTE: Excessive slackness of the needle thread may cause birds nest and thread breakage at start of sewing. Insufficient slackness may result in needle thread being pulled out of needle eye, skip stitching and needle breakage at start of sewing.

When slack needle thread regulator function is not required, turn off switch (3) shown in Fig. 30.

ADJUSTING THE BOBBIN THREAD HOLDER

(457A 505/525/535/543)

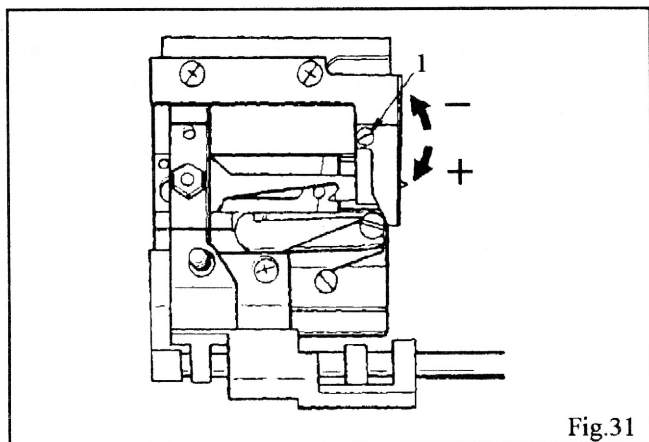


Fig.31



Switch off the machine.
Set sewing head upright again using both hands. Danger of crushing between sewing head and table top.

To adjust the length of thread end remaining on the underside of the material at start of sewing, tip machine back on its hinges and turn adjusting screw (1) as shown in Fig. 31.

To increase the length of thread end, turn adjusting screw (1) clockwise.

To decrease the length of thread end, turn adjusting screw (1) counterclockwise.

ADJUSTING THE LENGTH OF THREAD END IN NEEDLE EYE

(457A 505/525/535/543)

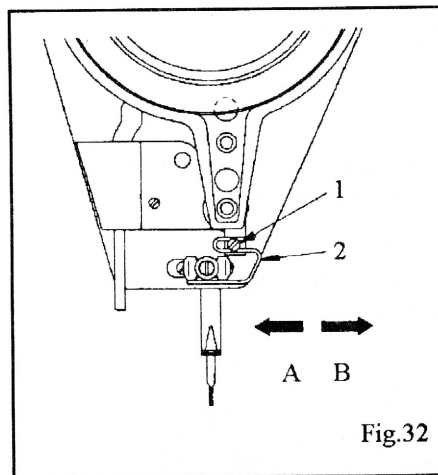


Fig.32



Switch off the machine.

To adjust the length of thread end remaining in the needle eye, loosen screw (1), Fig. 32, and move face plate thread puller (2), as required.

To shorten the thread end, move thread puller in the direction of arrow (A).

To lengthen the thread end, move thread puller in the direction of arrow (B).

ADJUSTING THE NEEDLE THREAD HOLDER PULLER

(457A 505E/505F/525E/525F/535E/535F/543E/543F)

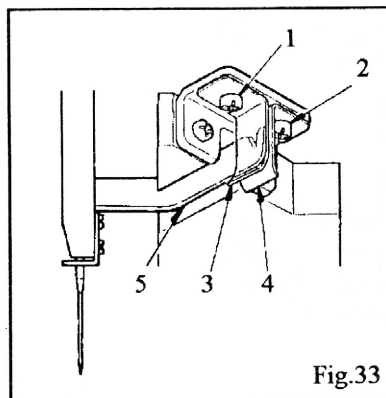


Fig.33



Switch off the machine.

To adjust the holding strength of needle thread holder puller, loosen screws (1) and (2), Fig. 33, and adjust the pressure of the needle thread holder puller springs (3) and (4) against needle thread holder puller.

INSTALLING THE BELT GUARD

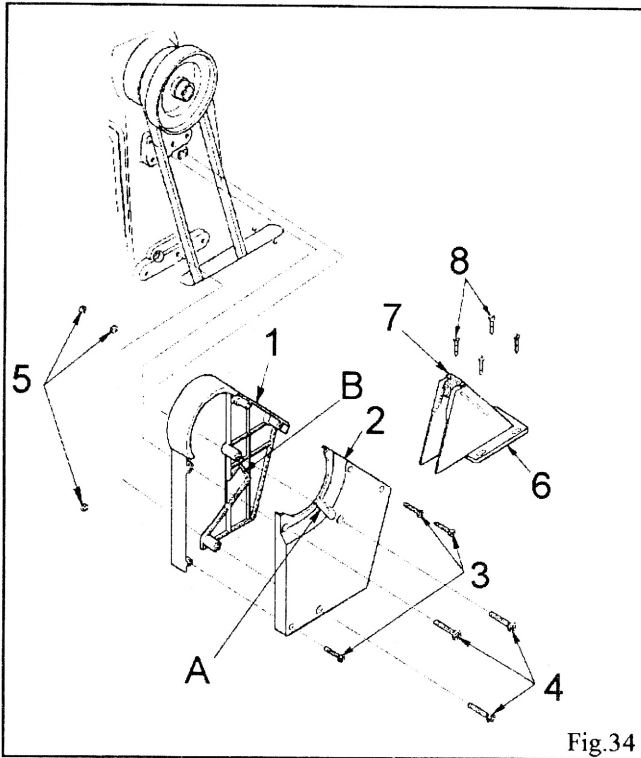


Fig.34



Switch off the machine.
Set sewing head upright again using both hands. Danger of crushing between sewing head and table top.
Do not run machine without belt guard!
Danger of inaccidents!

SPECIFICATIONS

Stitch type : see table page 10
Variety : see table page 10
Machine pully : 74mm effective dia. for V-belt
Needle catalog No. : see table page 10
Needle size : see table page 10
Fabric clearance :
105/125/135/140/143 : 6.2mm
505/525/535/543 : 5.7mm
Workspace width : 280mm
Workspace high : 120mm
Bed dimensions : 477 × 178mm
Max.stitch length : see table page 10
Max.sewing speed : see table page 10

Subject to alterations in design and dimensions.

MACHINE CARE



Switch off the machine.
Set sewing head upright again using both hands. Danger of crushing between sewing head and table top.

When the machine is in regular use, remove the lint and dust from around sewing hook area once a day.
A machine in frequent use should be cleaned and oiled more frequently.

Above table surface




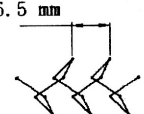




Fasten belt guards (1) and (2) to machine head with belt guard screws (3) and (4) and also with nuts (5) as shown in Fig. 34. Then fasten belt guard (6) to table with wood screws (8) making sure it will not interfere with belt guard (1) and (2), and so that the V-belt will rest against the belt guard slide (7) when machine is tipped back on its hinges.

When installing belt guard for machines with thread trimmer, remove portion "A" from belt guard (2).

When installing belt guard for machines with touch back system remove portion "A" and "B" from belt guard (1) and (2).

Below table surface

Install belt guard so that motor pulley and V-belt will rotate freely without interference.

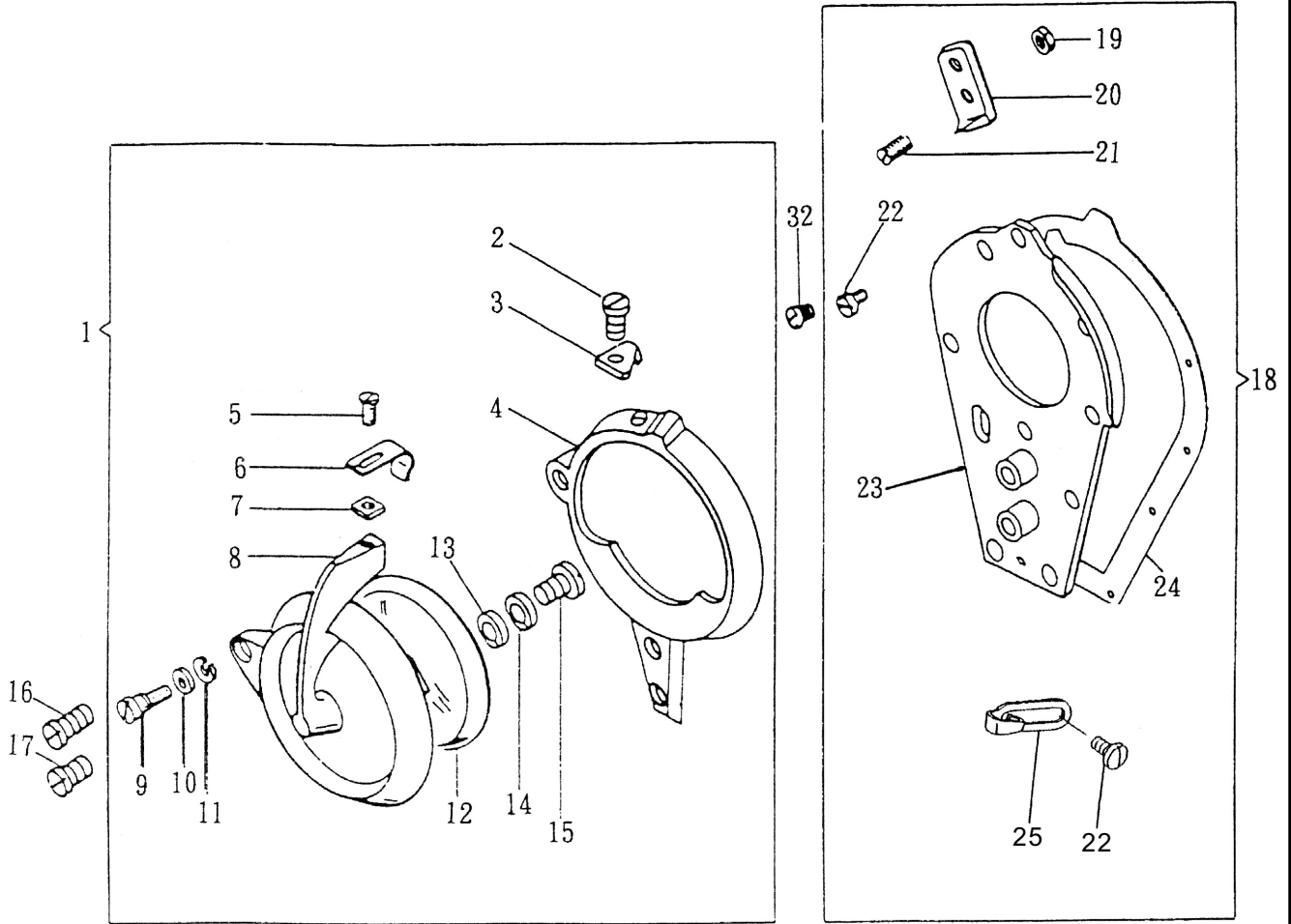
Max. sewing speed						
Variety	Stitch type	Max. sewing speed in s.p.m ▲	Max. needle bight	Max. stitch length	Needle catalog No. (Needle system)	
105L	 304(zigzag lockstitch)	5,000	8.0 mm	1.3 mm 20 SPI	1906-07 (135×53 M Ball)	
105M				5.1 mm 5 SPI	1906-01 (135×53)	
125L			5.0 mm	2.0 mm 13 SPI	1906-07 (135×53 M Ball)	
125M				4.2 mm 6 SPI	1906-01 (135×53)	
135L	 321(3 step zigzag)			1.3 mm 20 SPI	1906-07 (135×53 M Ball)	
135M				2.5 mm 10 SPI	1906-01 (135×53)	
140M	 fagot stitch	4,500	8.0 mm	6.5 mm 	8752-64 (135×53 Lg G Ecc L Ball)	
143L	 scalop stitch	4,200		1.3 mm 20 SPI	1906-07 (135×53 M Ball)	
143M				2.5 mm 10 SPI	1906-01 (135×53)	
505L	 304(zigzag lockstitch)	5,000			1.3 mm 20 SPI	1906-07 (135×53 M Ball)
505M					5.1 mm 5 SPI	1906-01 (135×53)
525L				5.0 mm	2.0 mm 13 SPI	1906-07 (135×53 M Ball)
525M					4.2 mm 6 SPI	1906-01 (135×53)
535L	 321(3 step zigzag)				1.3 mm 20 SPI	1906-07 (135×53 M Ball)
535M			2.5 mm 10 SPI		1906-01 (135×53)	
543L	 scalop stitch	4,200		1.3 mm 10 SPI	1906-07 (135×53 M Ball)	
543M				2.5 mm 10 SPI	1906-01 (135×53)	

▲ Depending on material and operation.

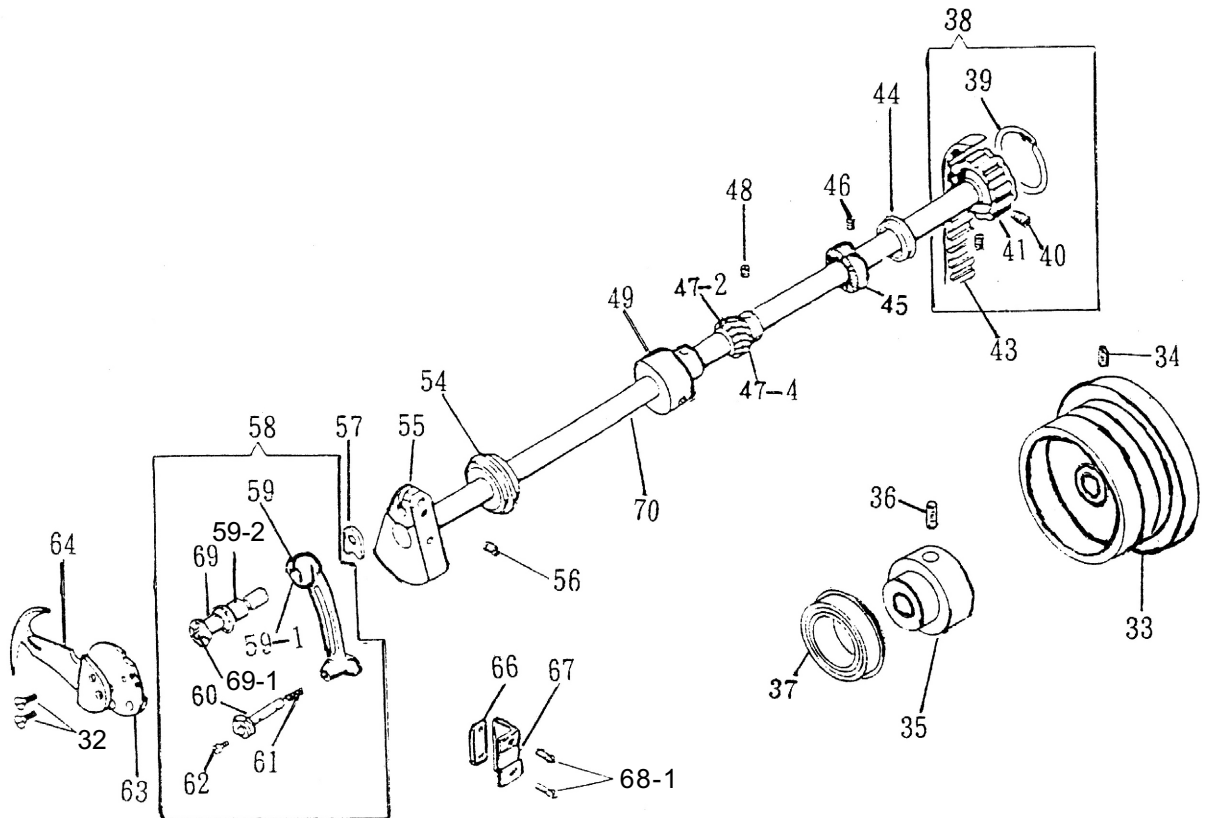
CONTENTS

F1.	ROTARY TAKE-UP GUARD, FACE PLATE	1
F1.	ARM SHAFT ,ROTARY TAKE-UP	1
F2.	TENSION RELEASER ,KNEE LIFTER ROCK FRAME	2
F2.	PRESSER BAR ,THROAT PLATE ,FEED DOG	2
F3.	NEEDLE BAR YOKE ,NEEDLE	3
F3.	NEEDLE BAR CONNECTING LINK (FOR 105/125)	3
F4.	NEEDLE BAR CONNECTING LINK (FOR 135/140)	4
F4.	NEEDLE BAR CONNECTING LINK (FOR 143)	4
F5.	NEEDLE VIBRATING YOKECONNECTING LINK CARRIER FRAME (FOR 105/125/135/140)	5
F5.	NEEDLE VIBRATING YOKECONNECTING LINK CARRIER FRAME (FOR 143)	5
F6.	FEED REGURATING INDICATOR ,LINK	6
F6.	NEEDLE VIBRATING ADJUSTING BRACKET	6
F7.	ARM COVER (TOP) (ASSEMBLY)	7
F7.	PRETENSION ,TENSION	7
F8.	HOOK ,BOBBIN CASE	8
F8.	HOOK SHAFT ,BEVEL GEAR	8
F9.	FEED DRIVING CONNECTION ,CARRIER FRAME	9
F9.	FEED CONTROL CAM	9
F10.	FEED DRIVING ROCK SHAFT CRANK	10
F10.	BED SHAFT	10
F11.	ARM COVER (BACK)	11
F11.	OIL PUMP BODY	11
F12.	OIL RESERVOIR AND KNEE LIFTER	12
F12.	ACCESSORIES	12
F13.	BELT GUARD ,THREAD UNWINDER (2-SPOOL)	13

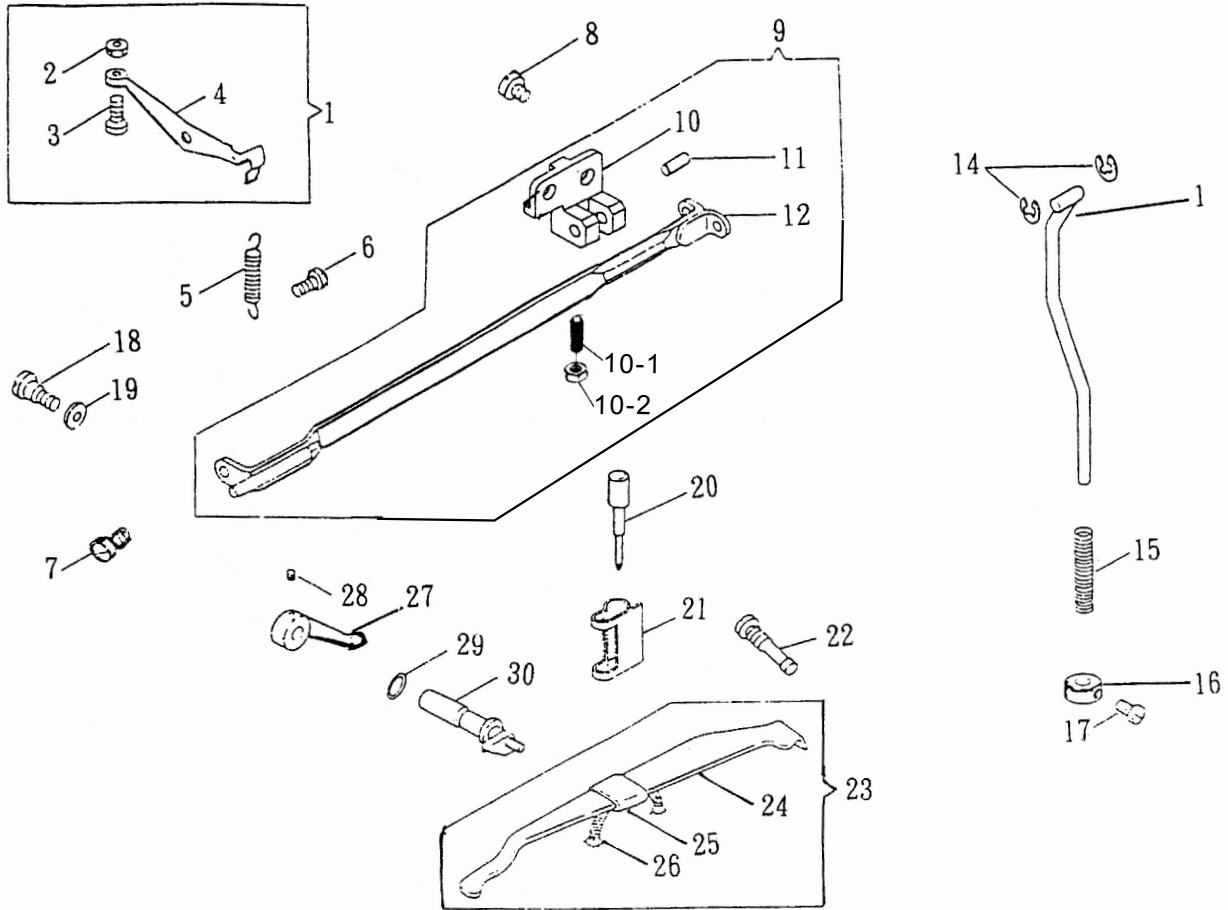
ROTARY TAKE-UP GUARD, FACE PLATE



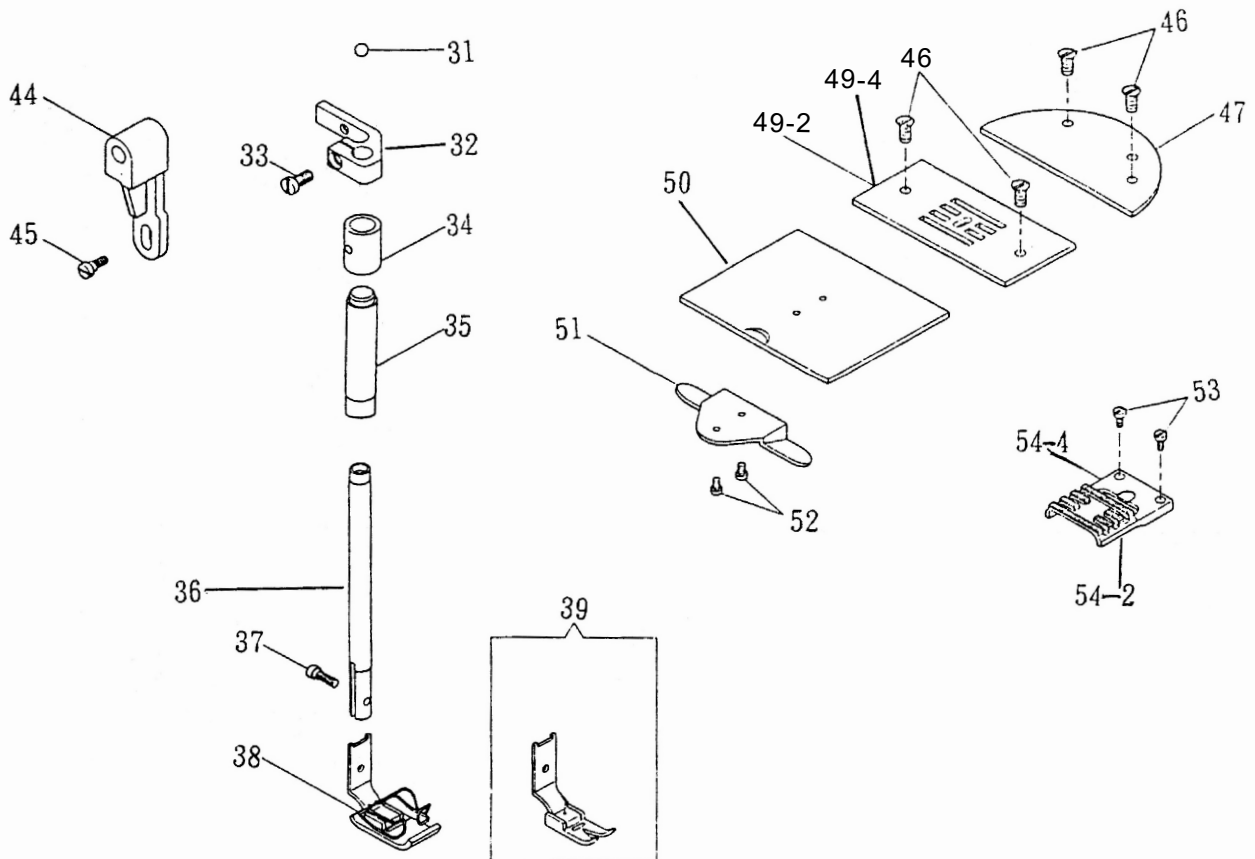
ARM SHAFT, ROTARY TAKE-UP



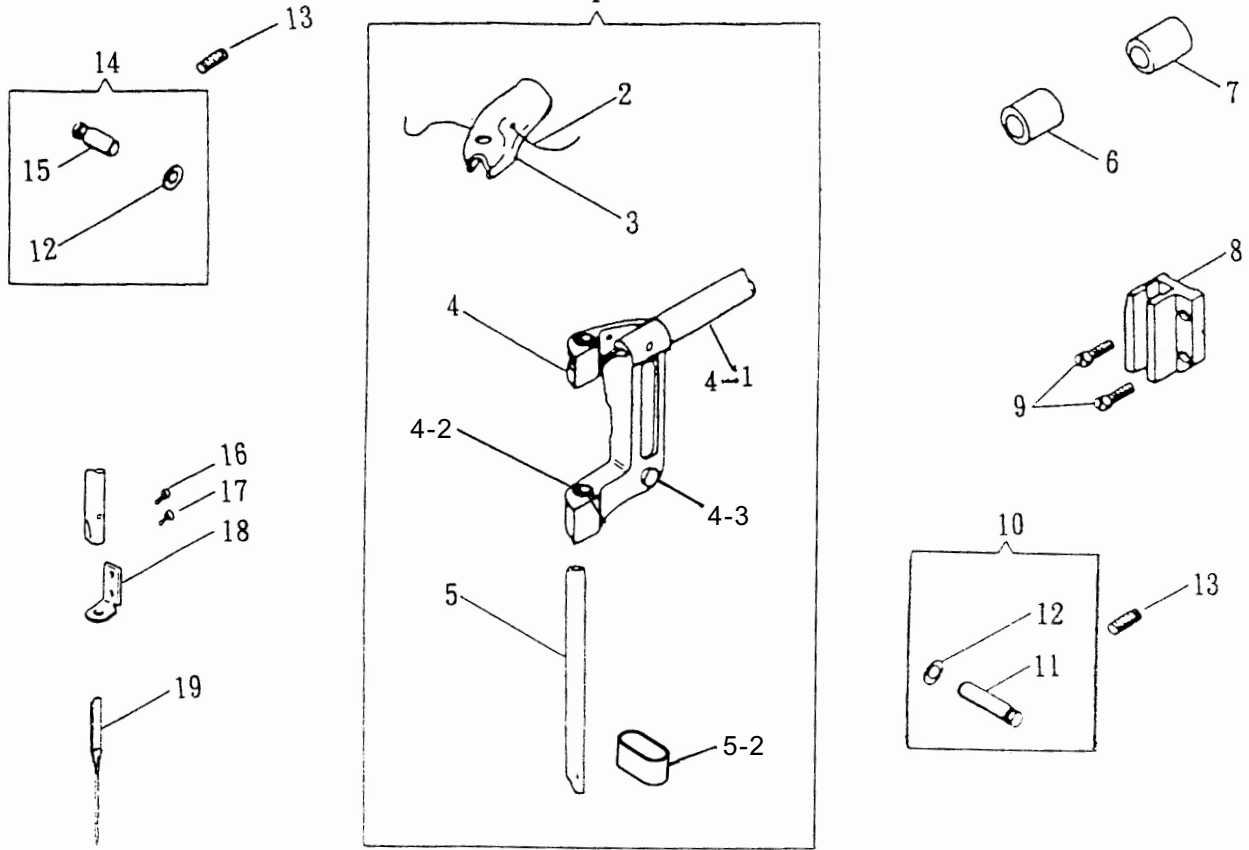
TENSION RELEASER, KNEE LIFTER ROCK FRAME



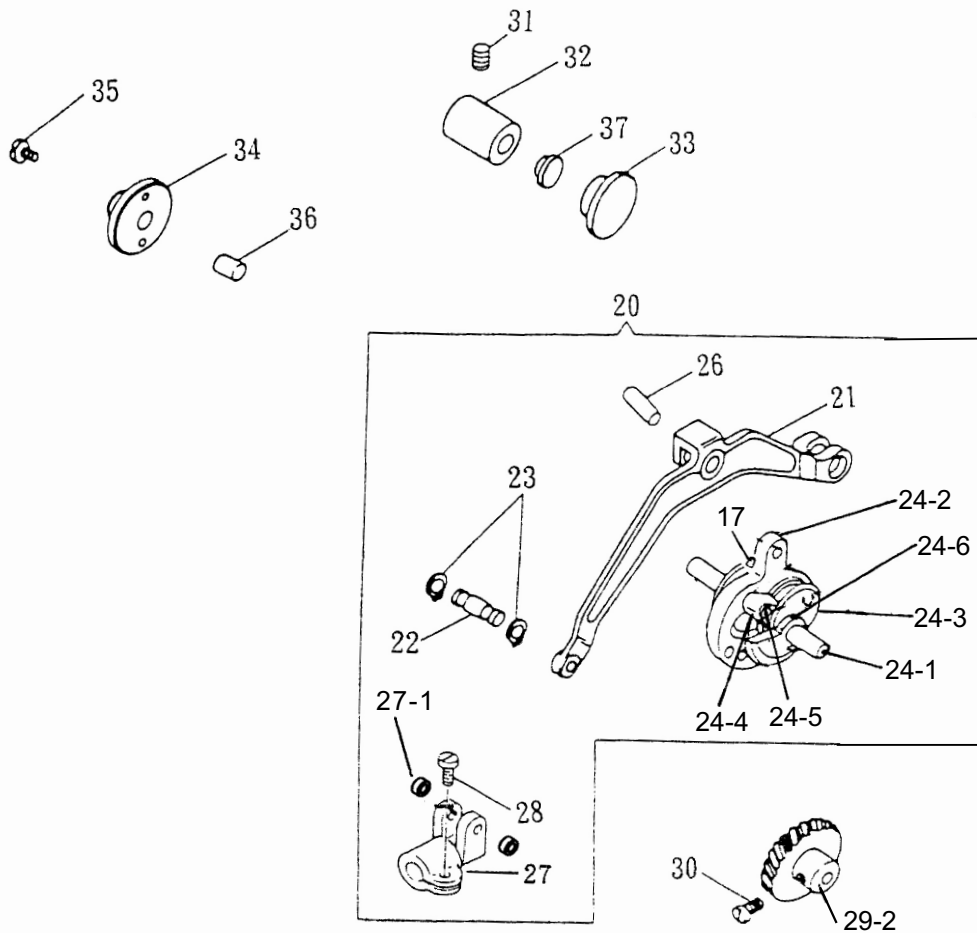
PRESSER BAR, THROAT PLATE, FEED DOG



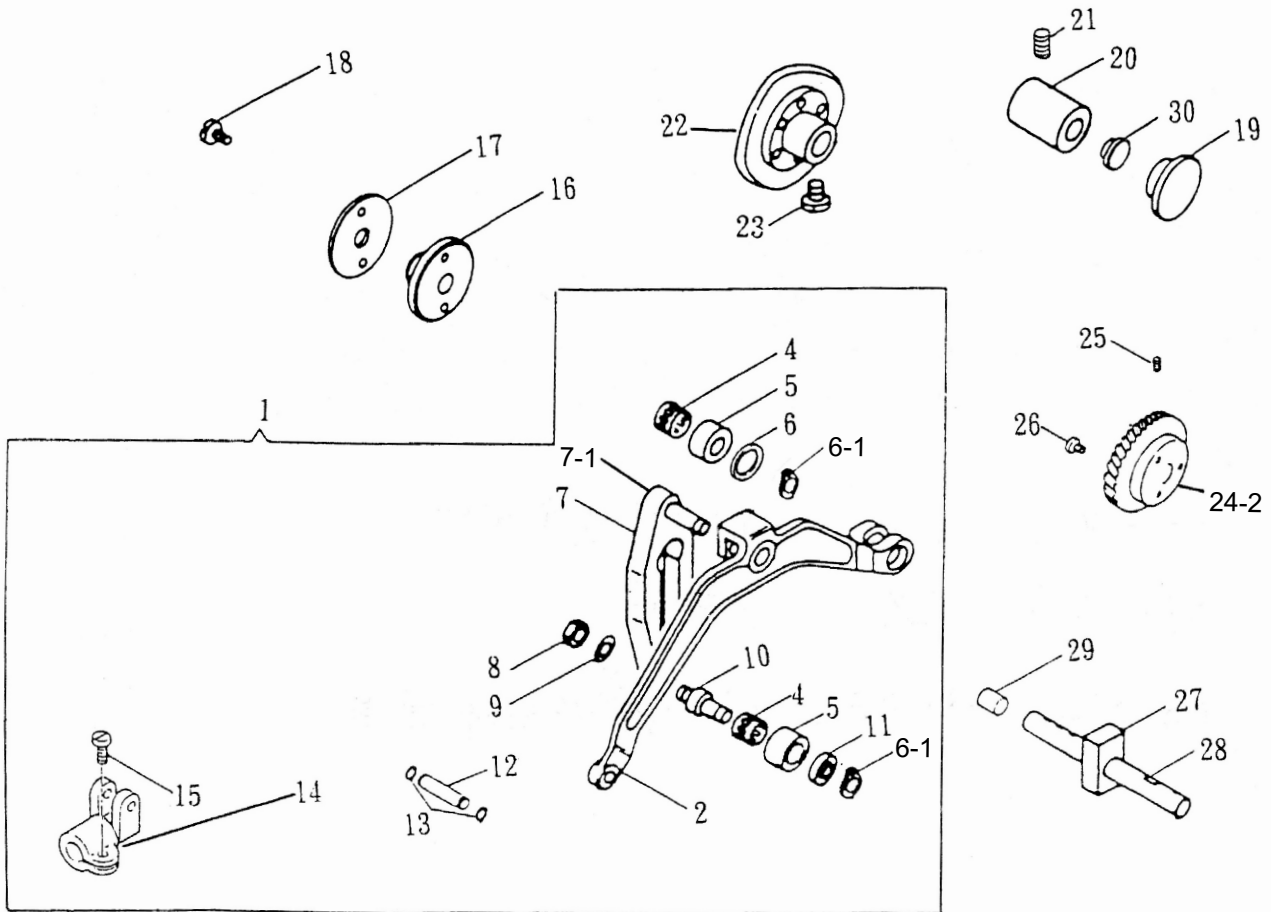
NEEDLE BAR YOKE, NEEDLE



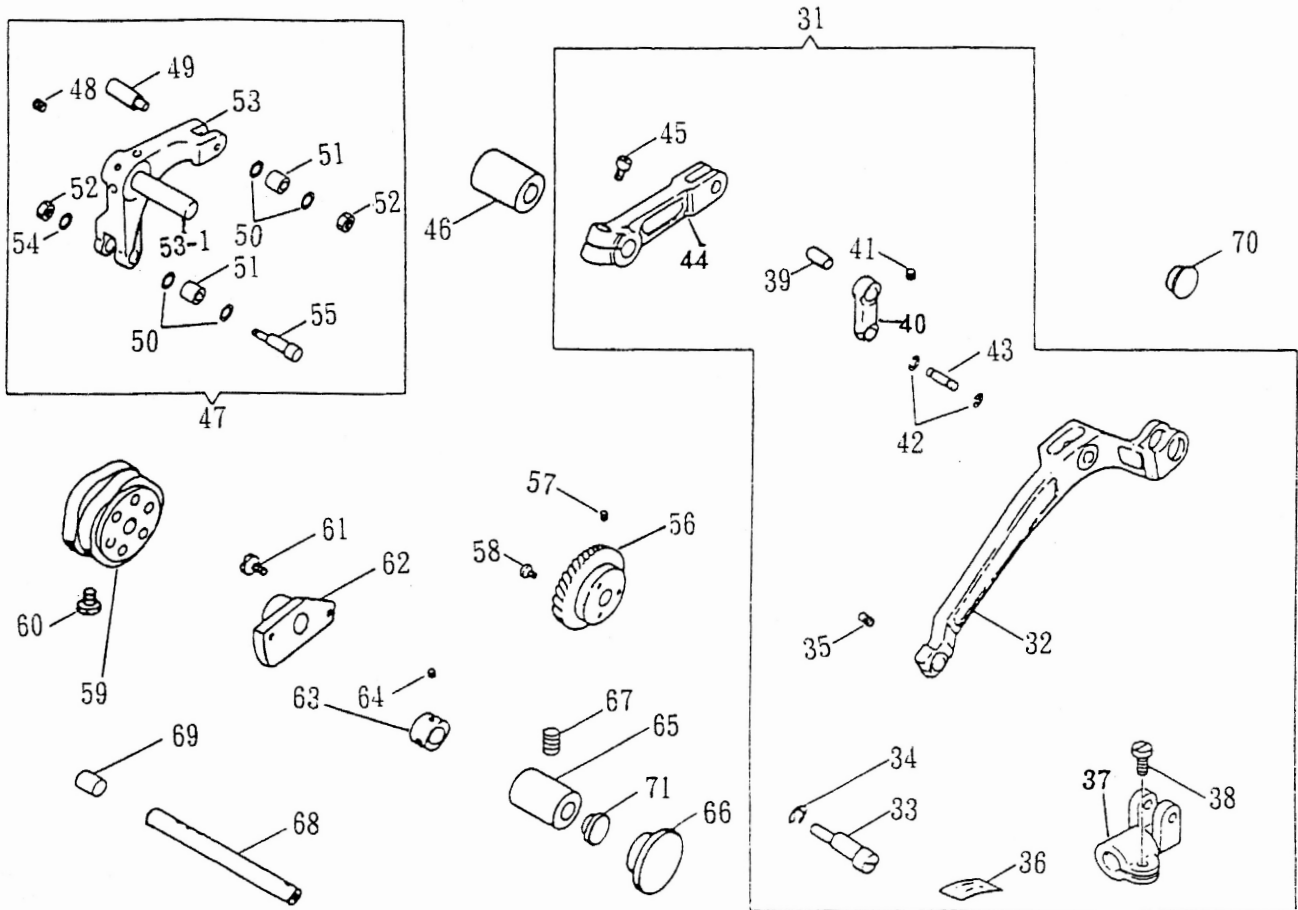
NEEDLE BAR CONNECTING LINK (FOR 105/125)



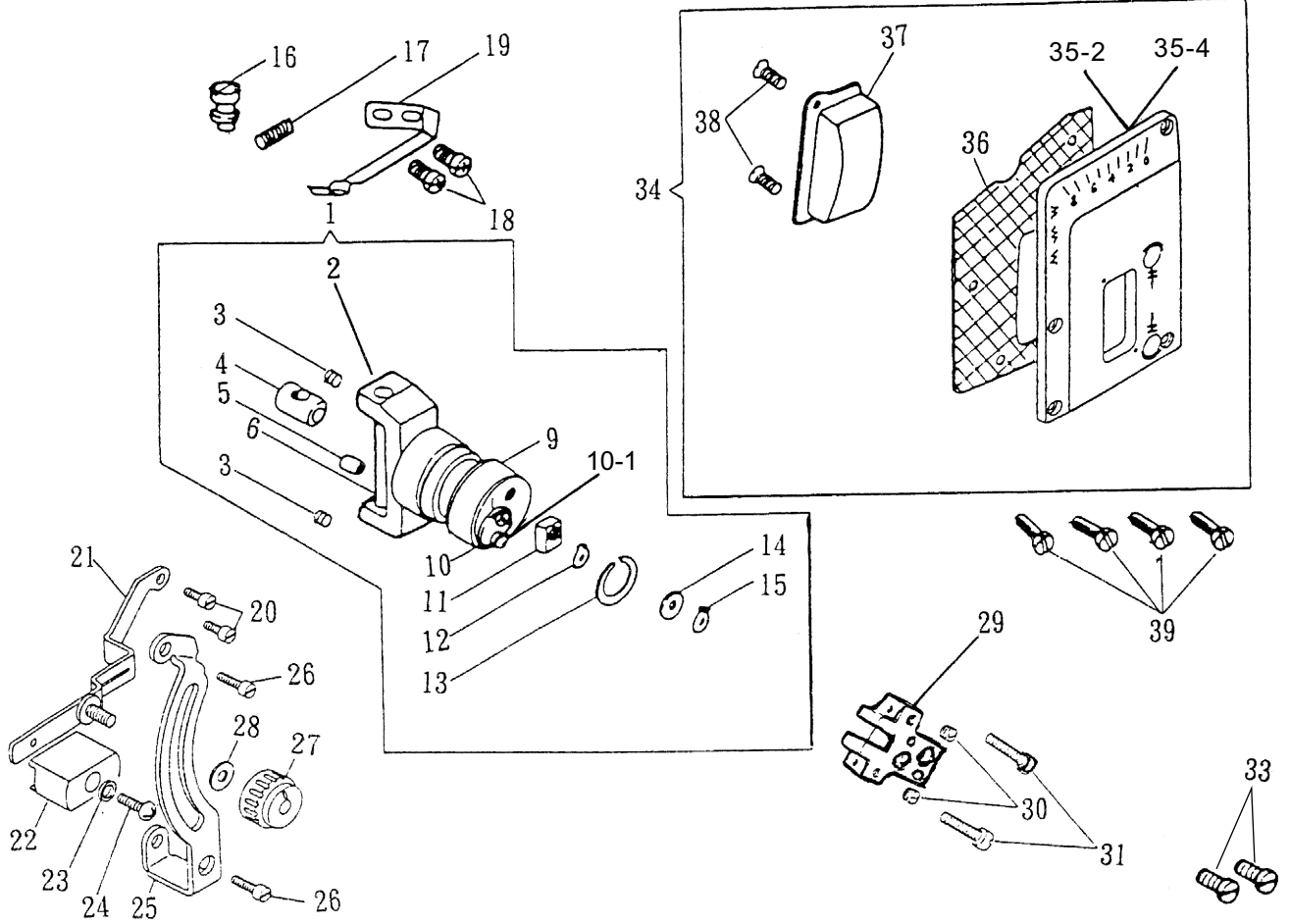
NEEDLE BAR CONNECTING LINK (FOR 135/140)



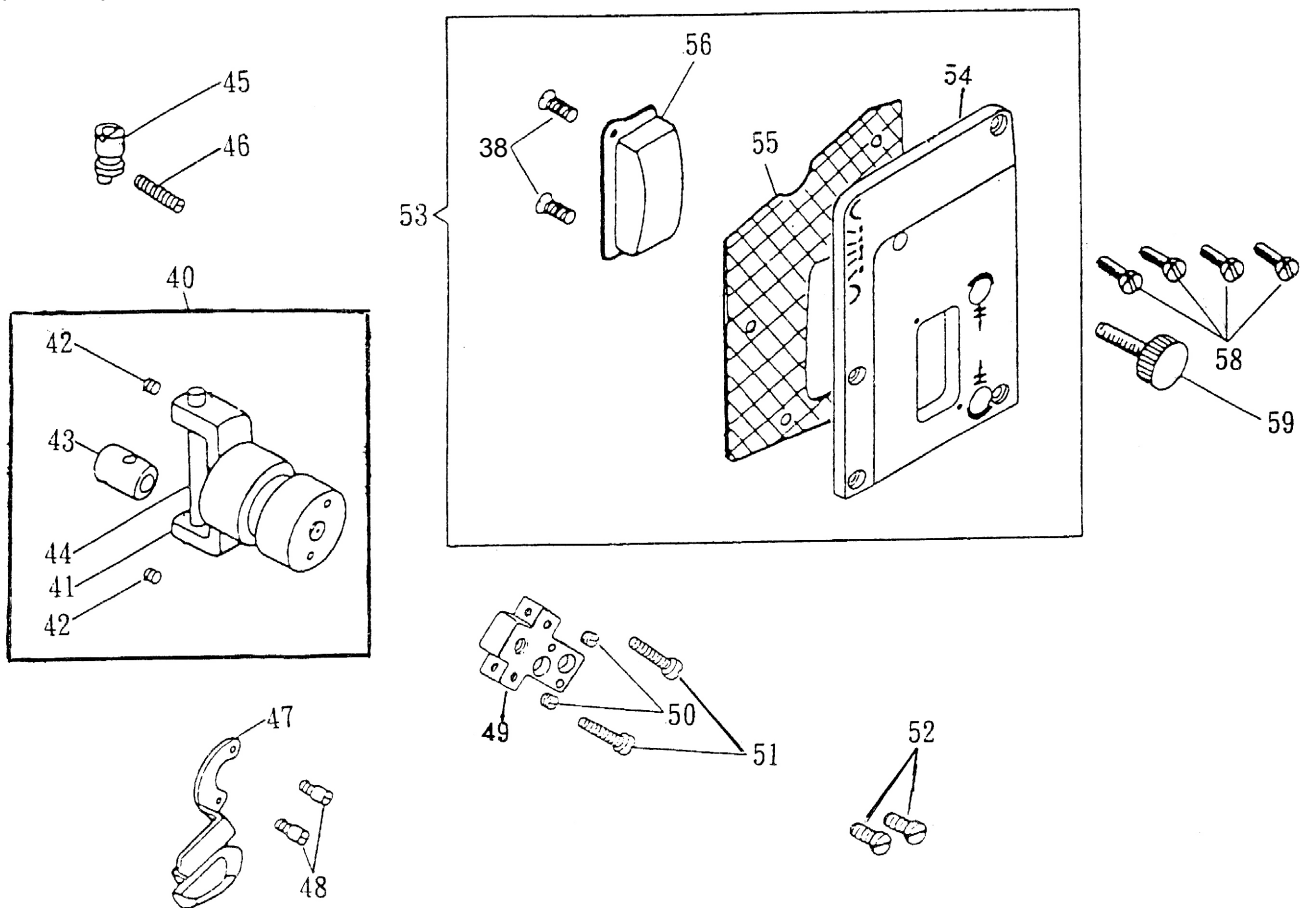
(143用)



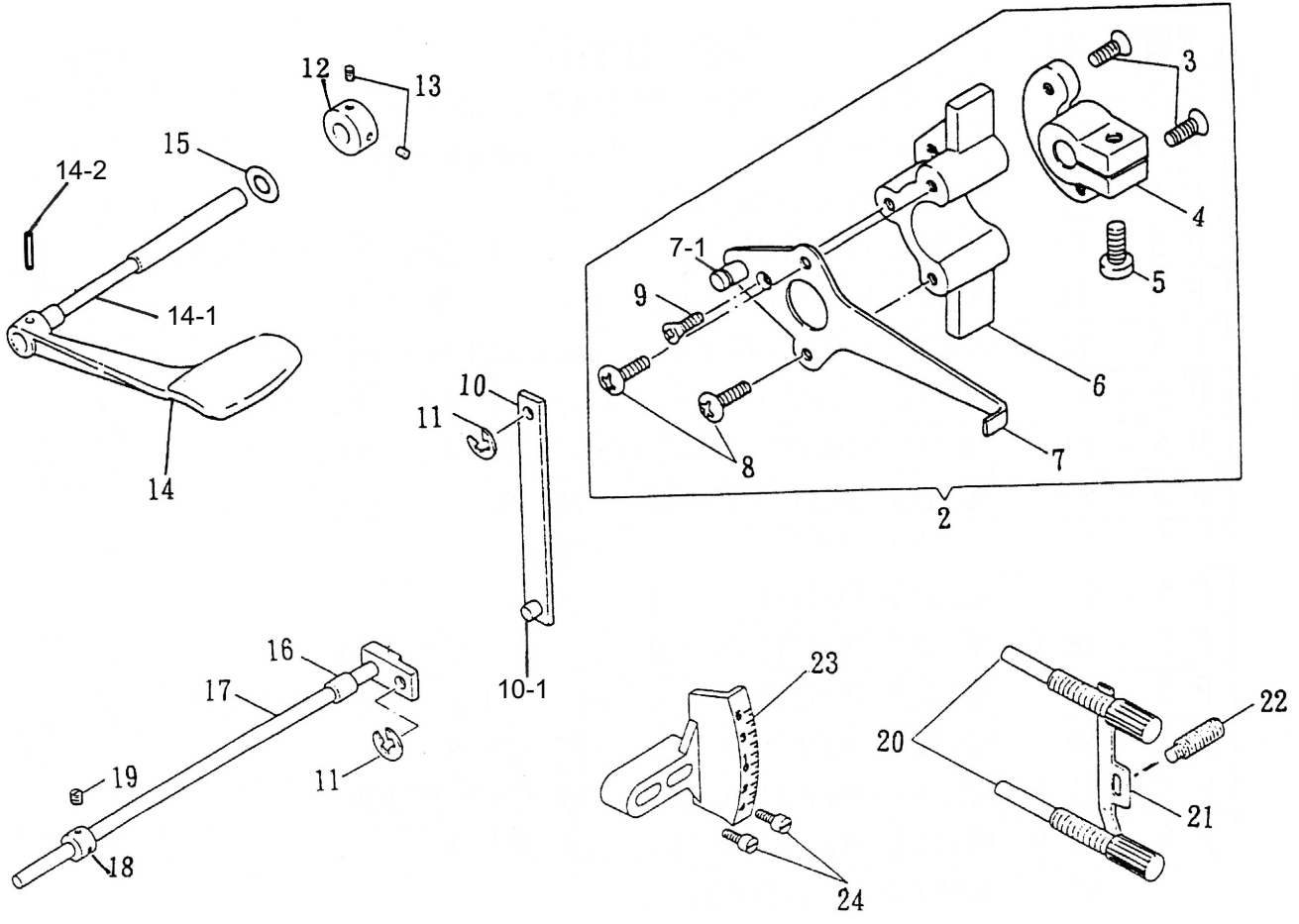
NEEDLE VIBRATING YOKE CONNECTING LINK CARRIER FRAME (CPL.) (FOR 105/125/135/140)



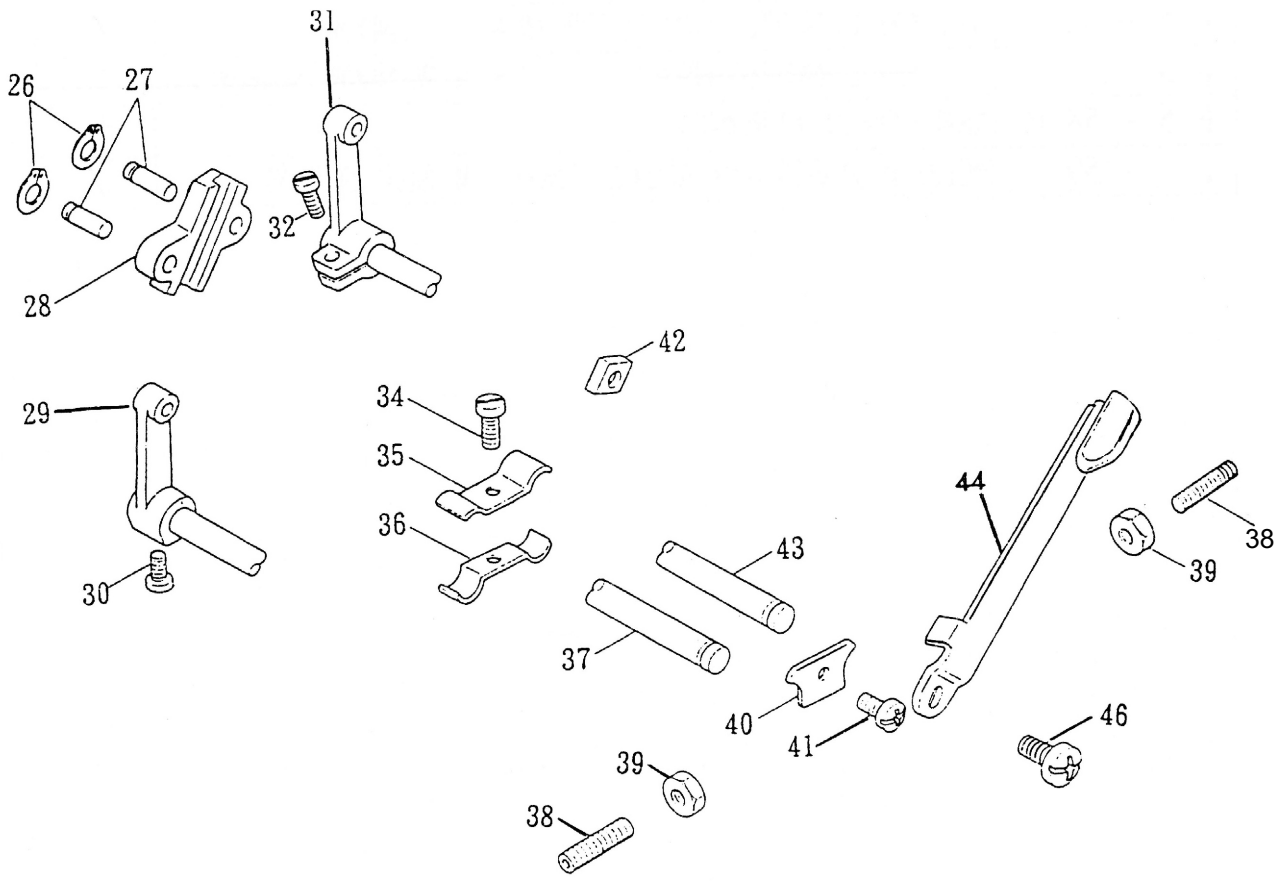
(143用)



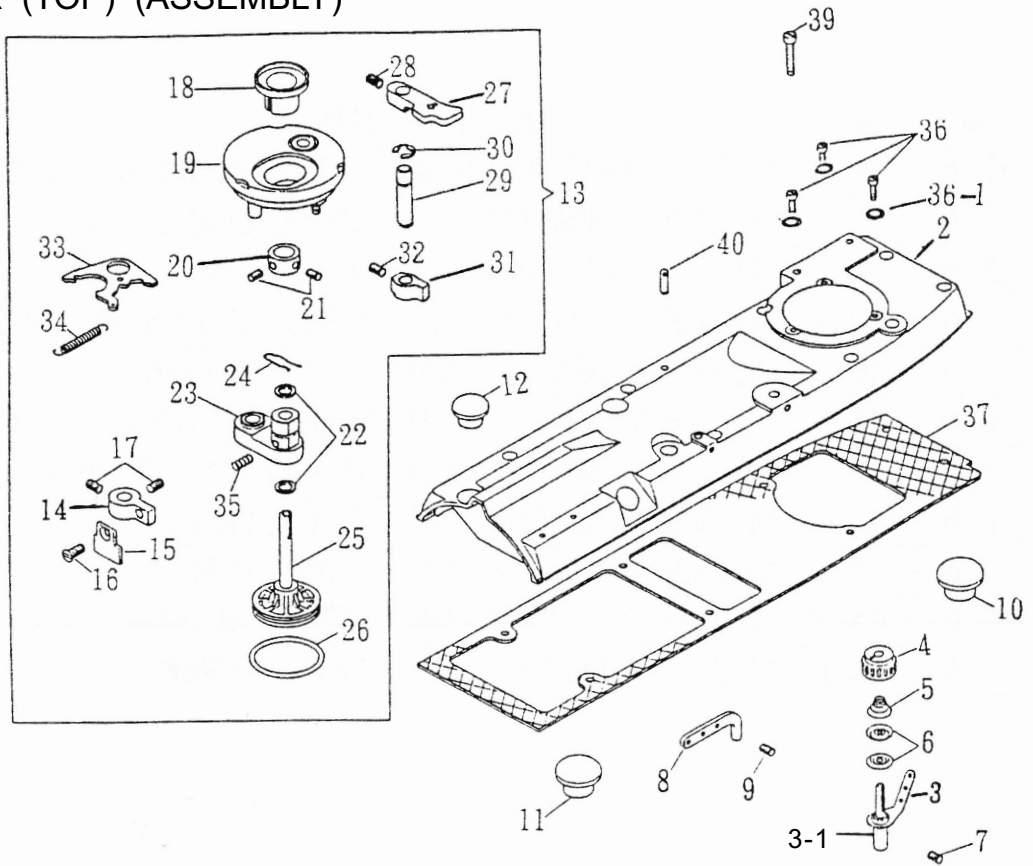
FEED REGULATING INDICATOR, LINK



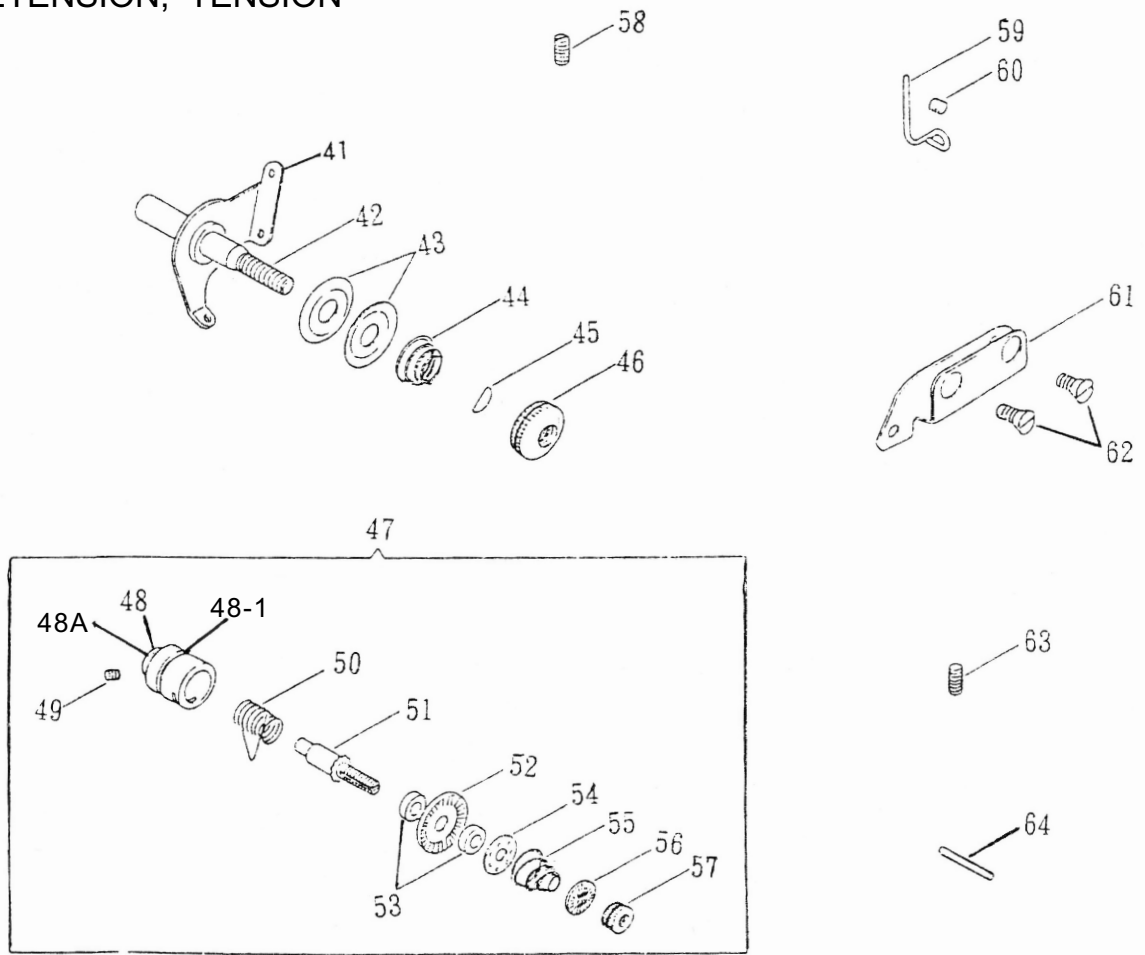
NEEDLE VIBRATING ADJUSTING BRACKET



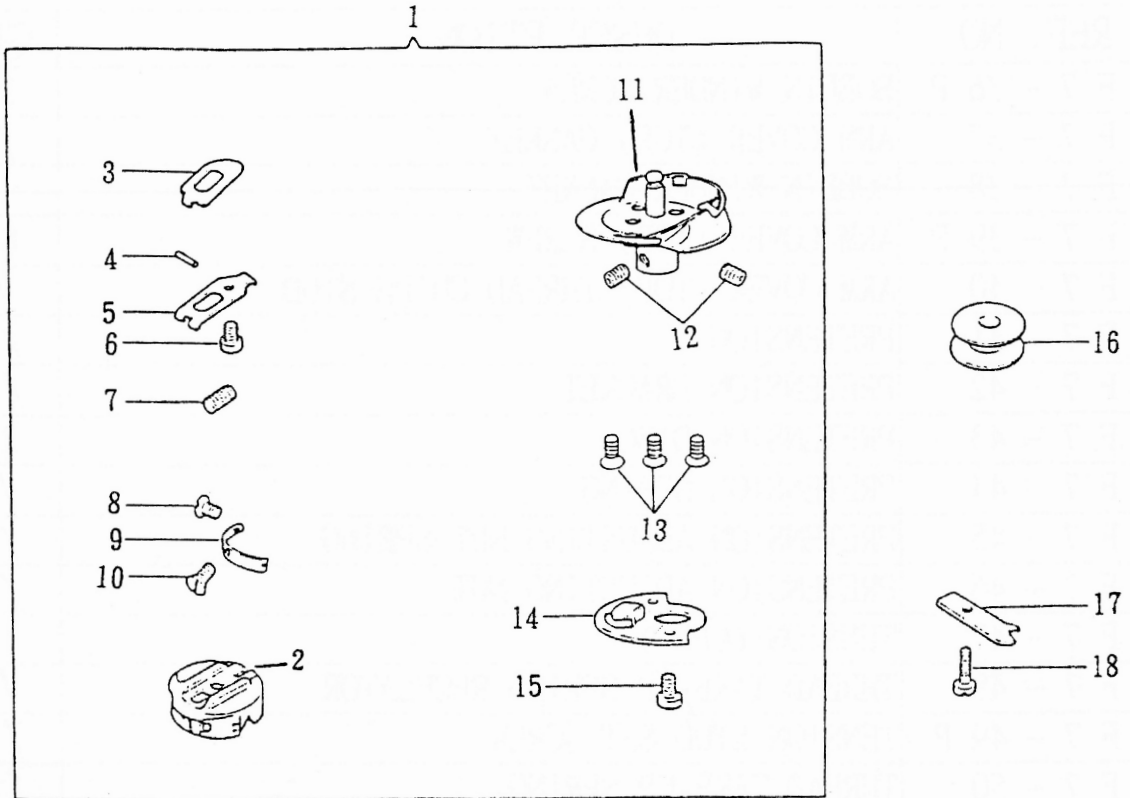
ARM COVER (TOP) (ASSEMBLY)



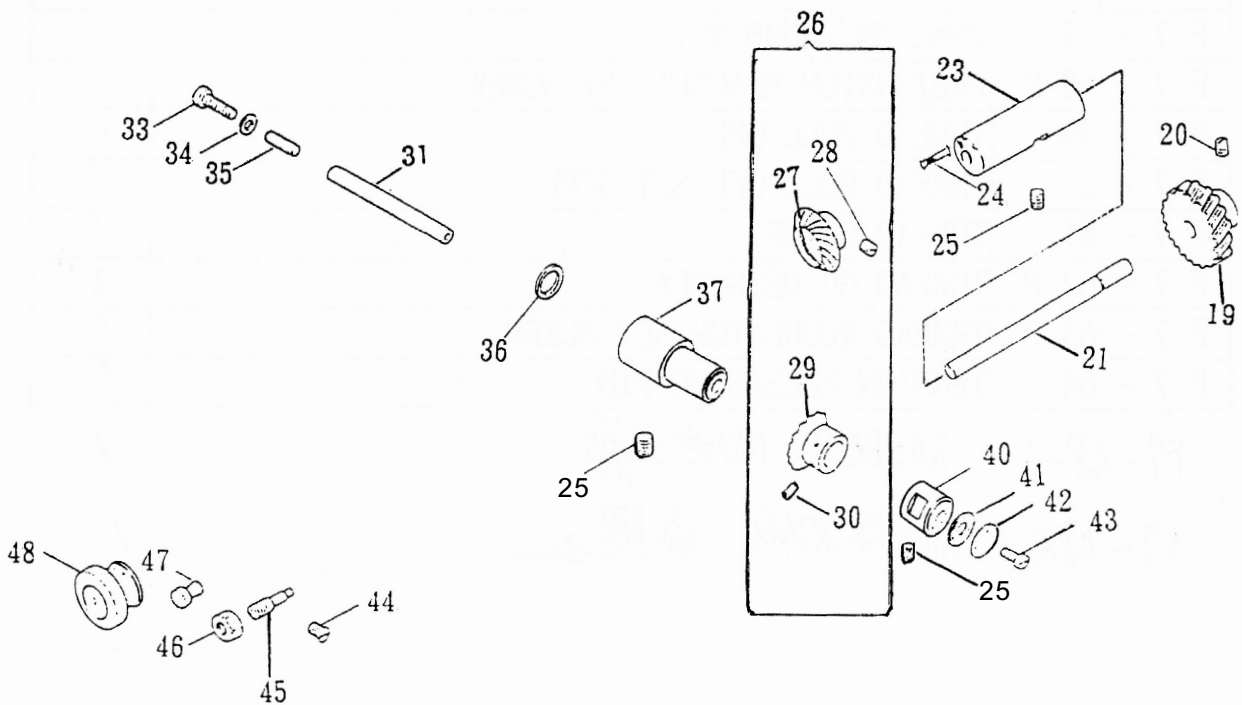
PRETENSION, TENSION



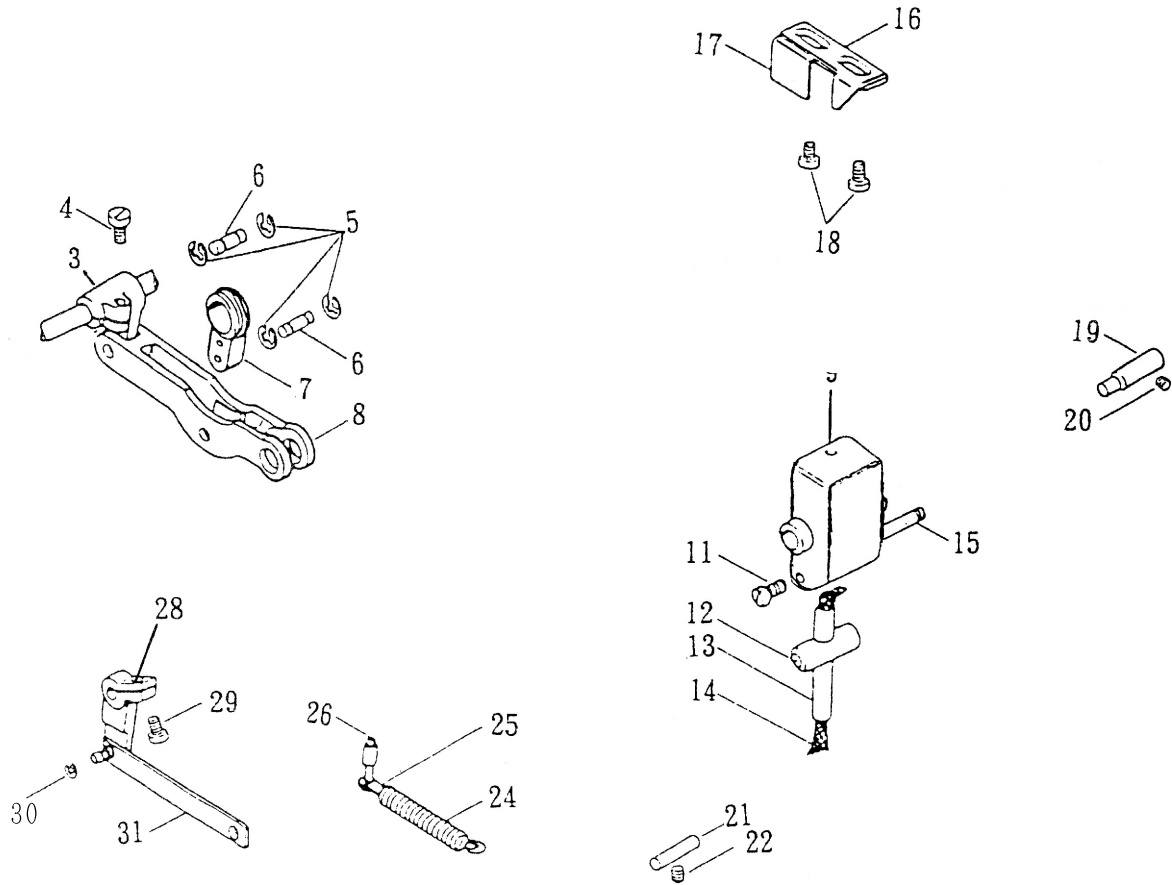
HOOK, BOBBIN CASE



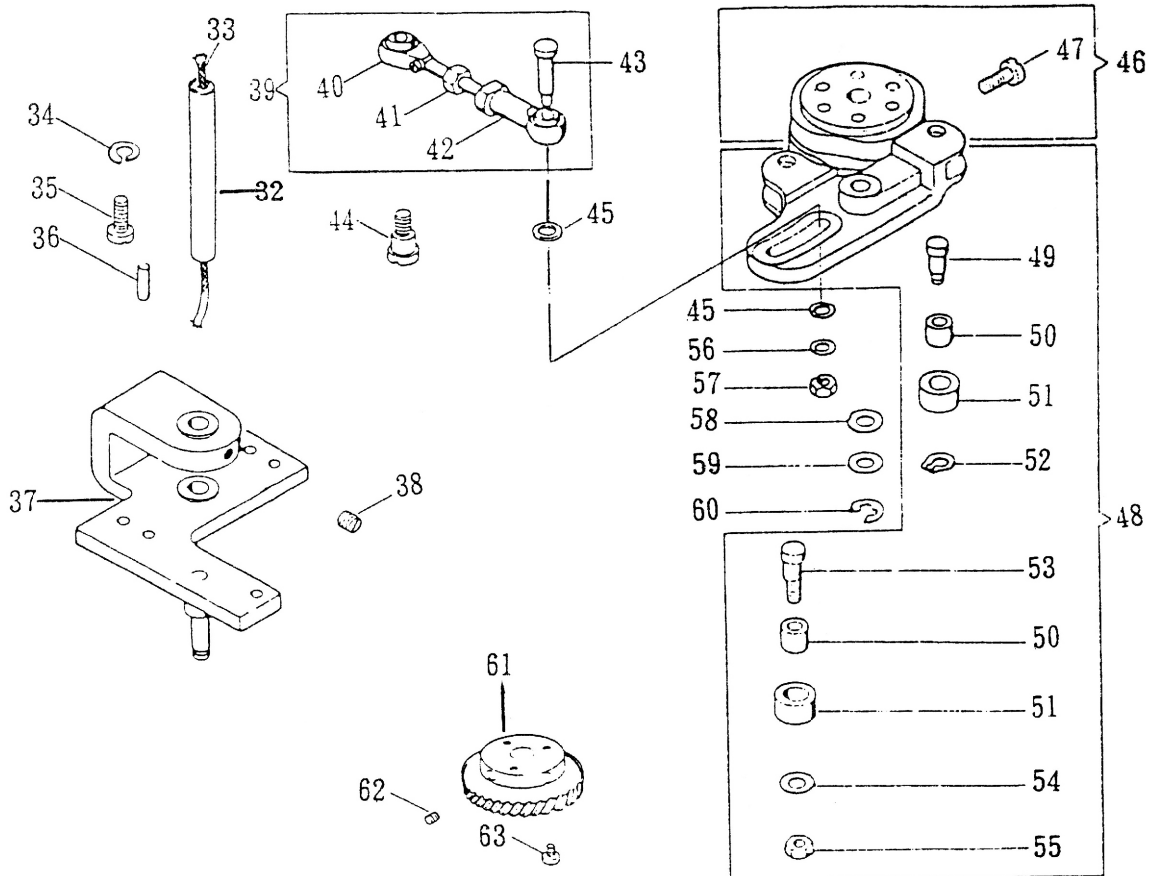
HOOK SHAFT BEVEL GEAR



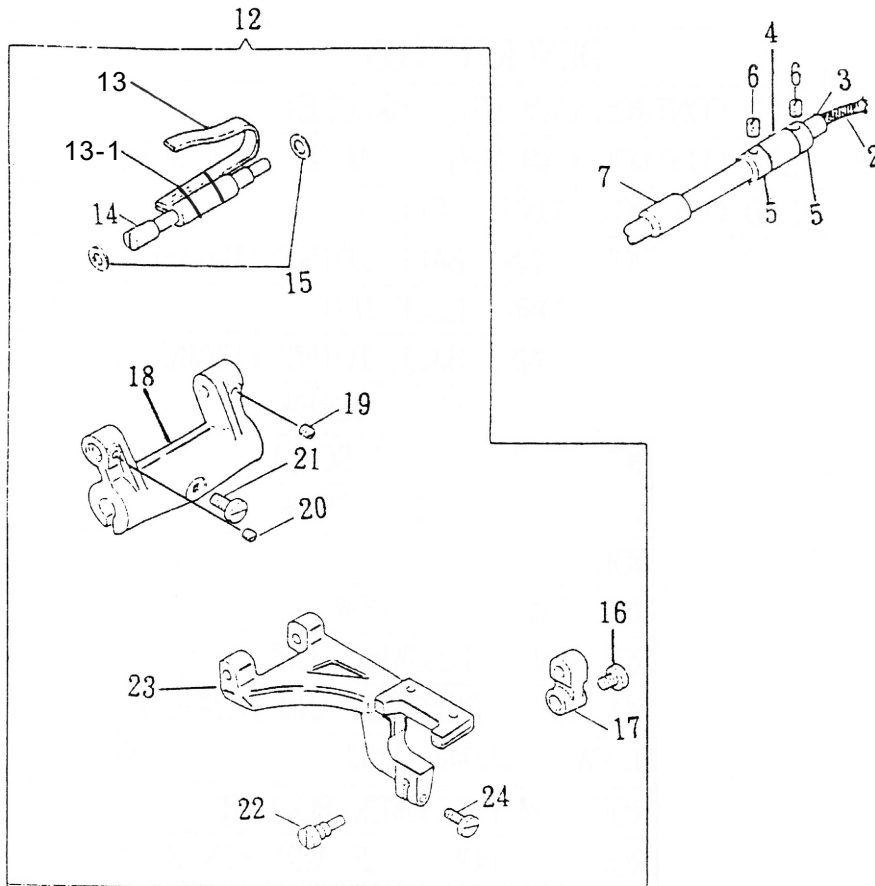
FEED DRIVING CONNECTION, CARRIER FRAME



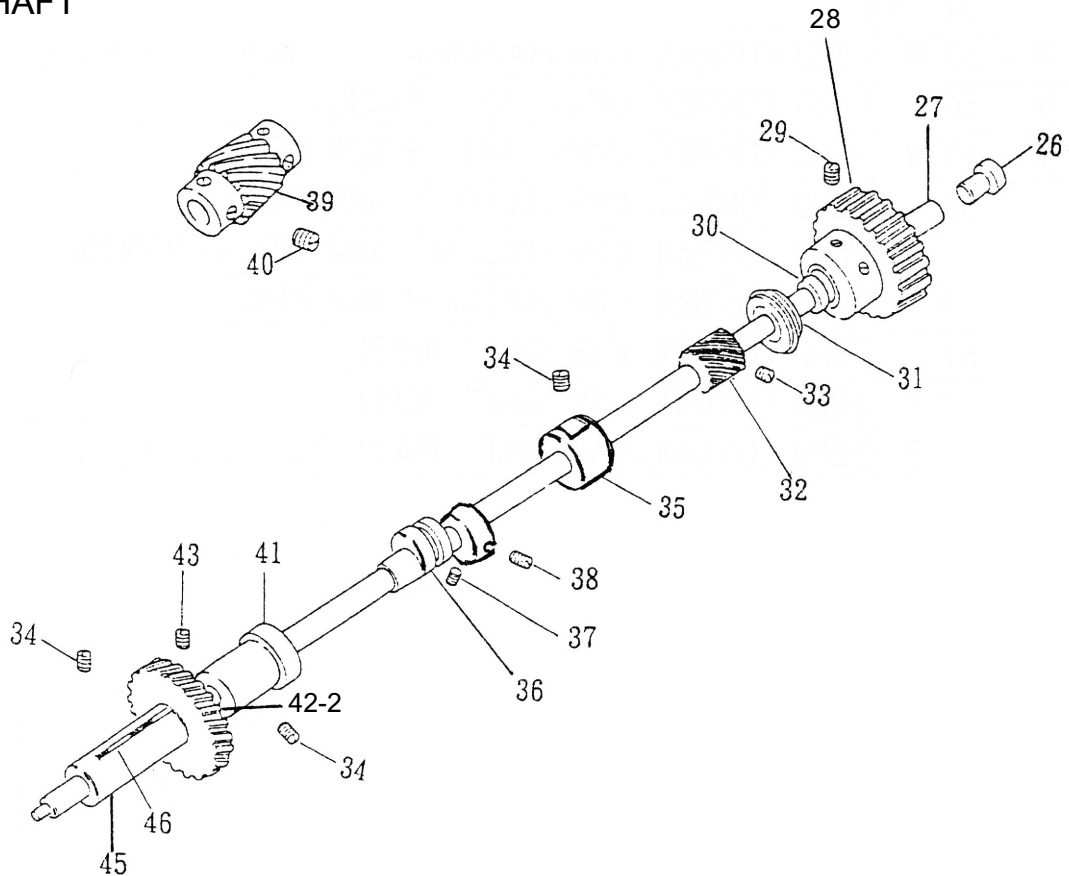
FEED CONTROL CAM (143用)



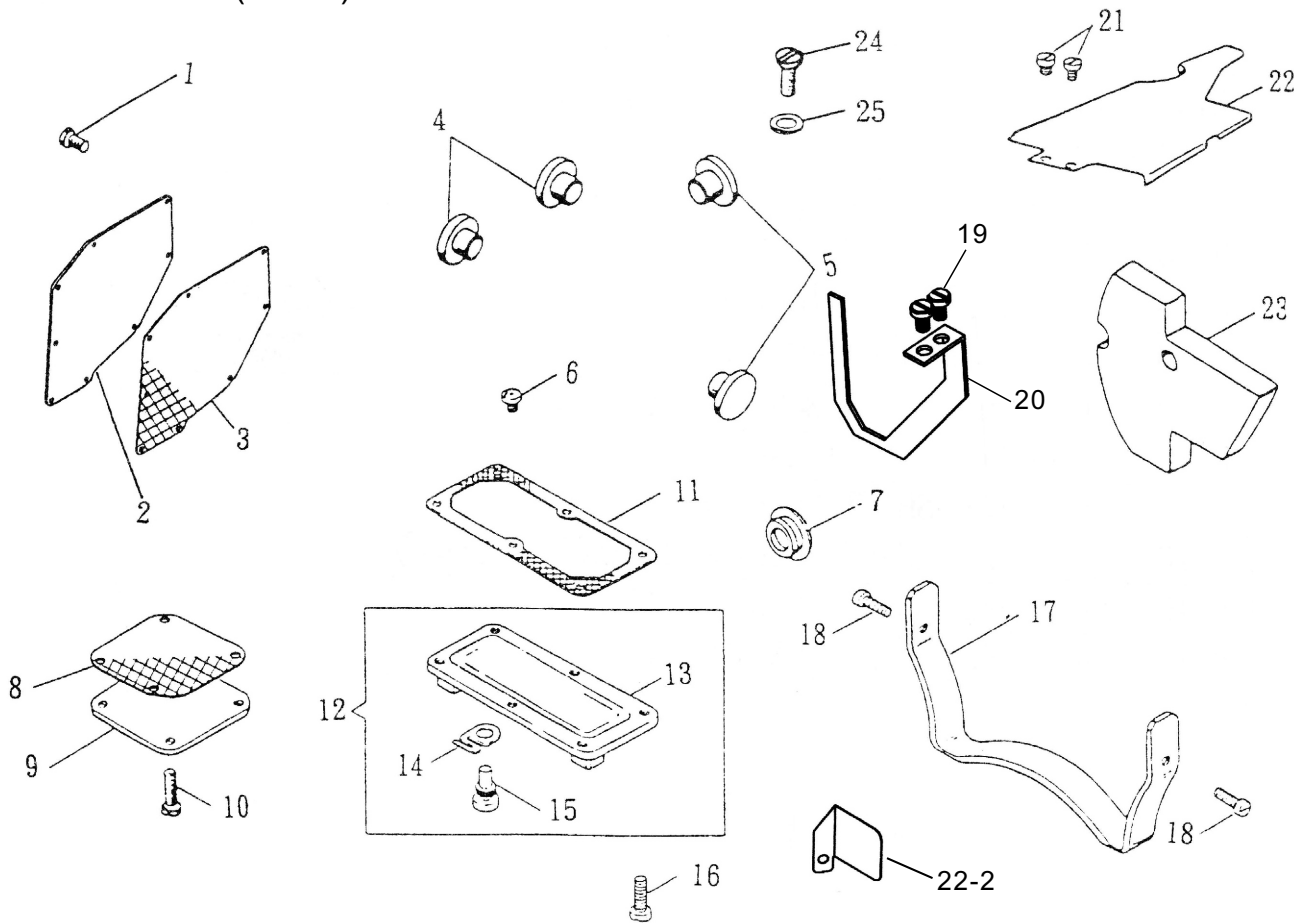
FEED DRIVING ROCK SHAFT CRANK



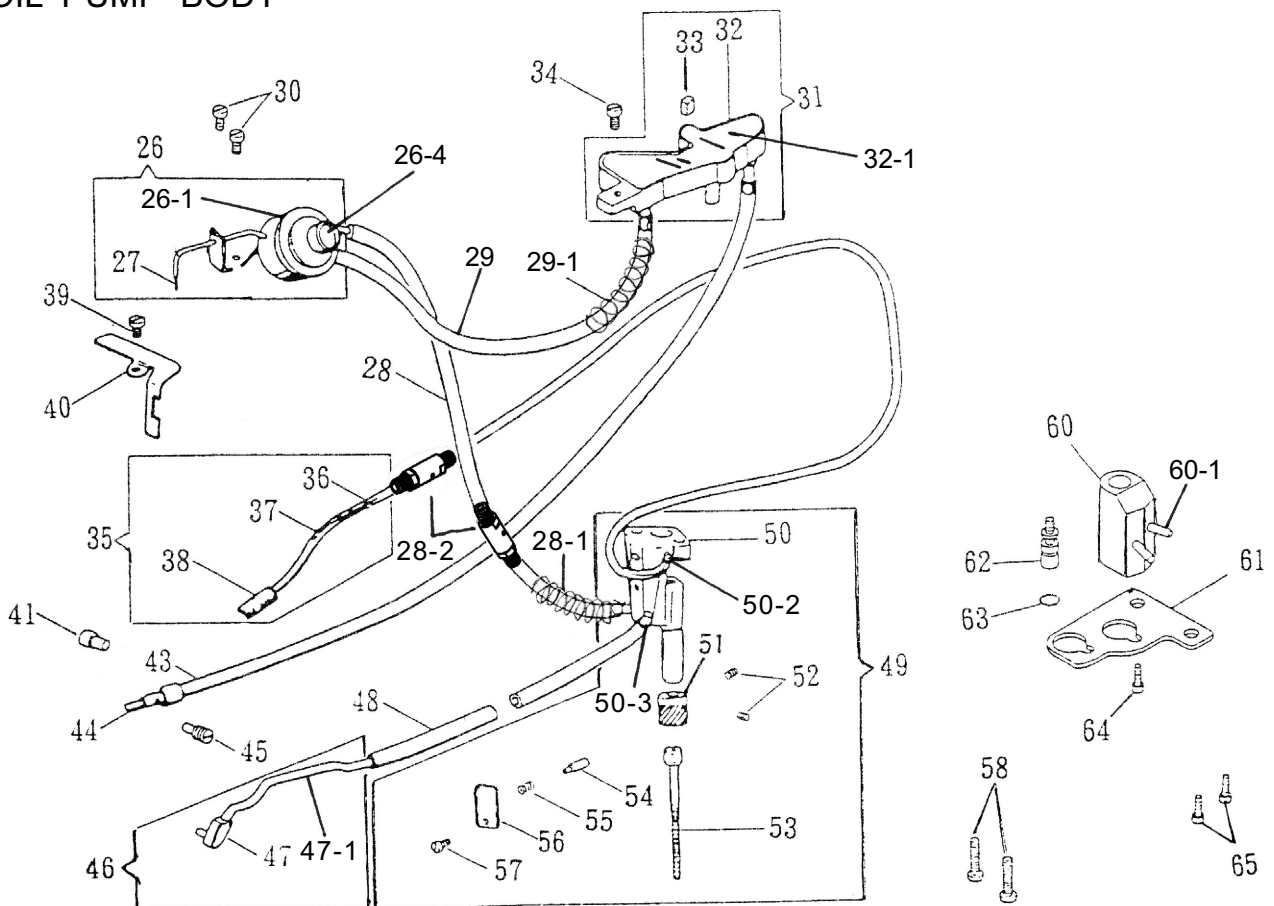
BED SHAFT



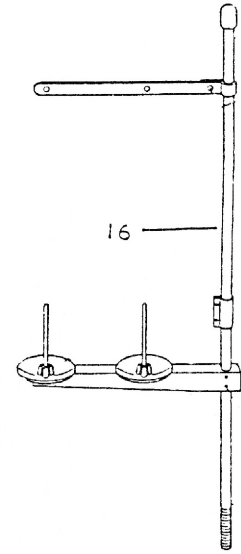
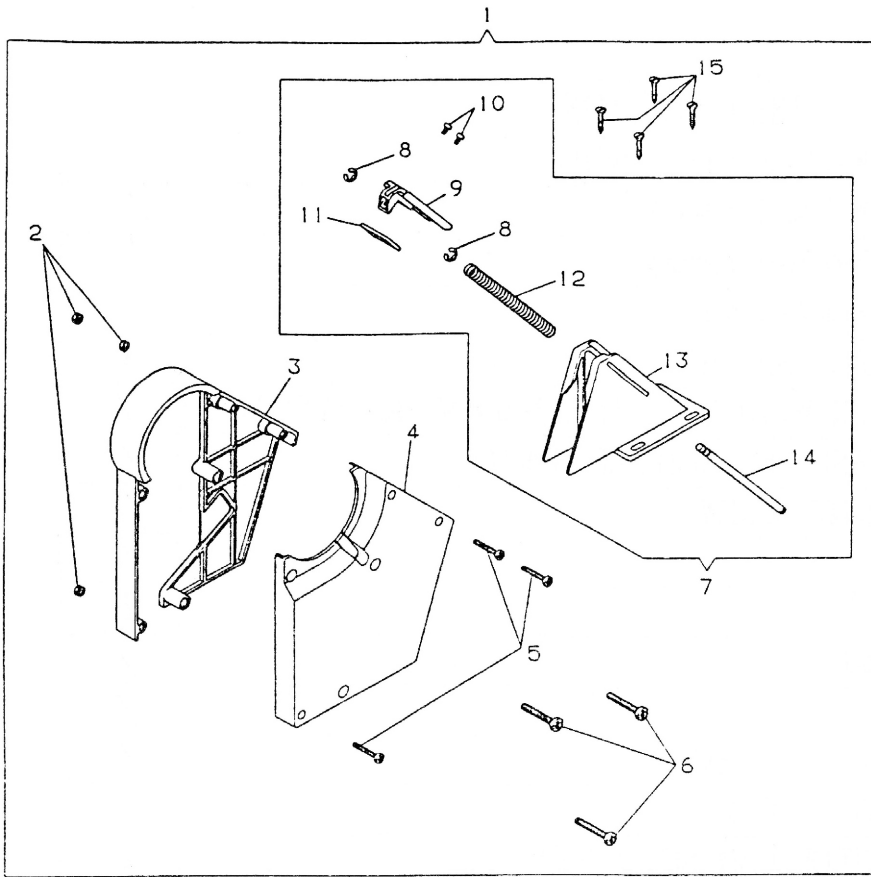
ARM COVER (BACK)



OIL PUMP BODY



BELT GUARD, THREAD UNWINDER (2-SPOOL)



OPTION 1

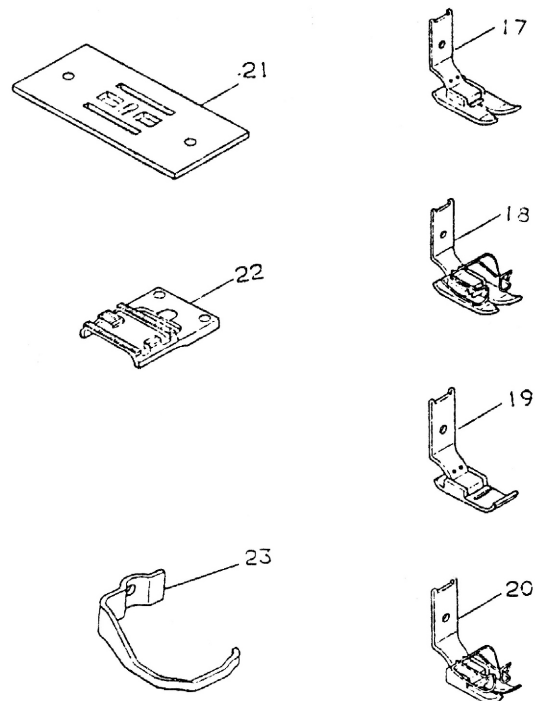
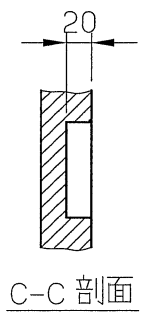
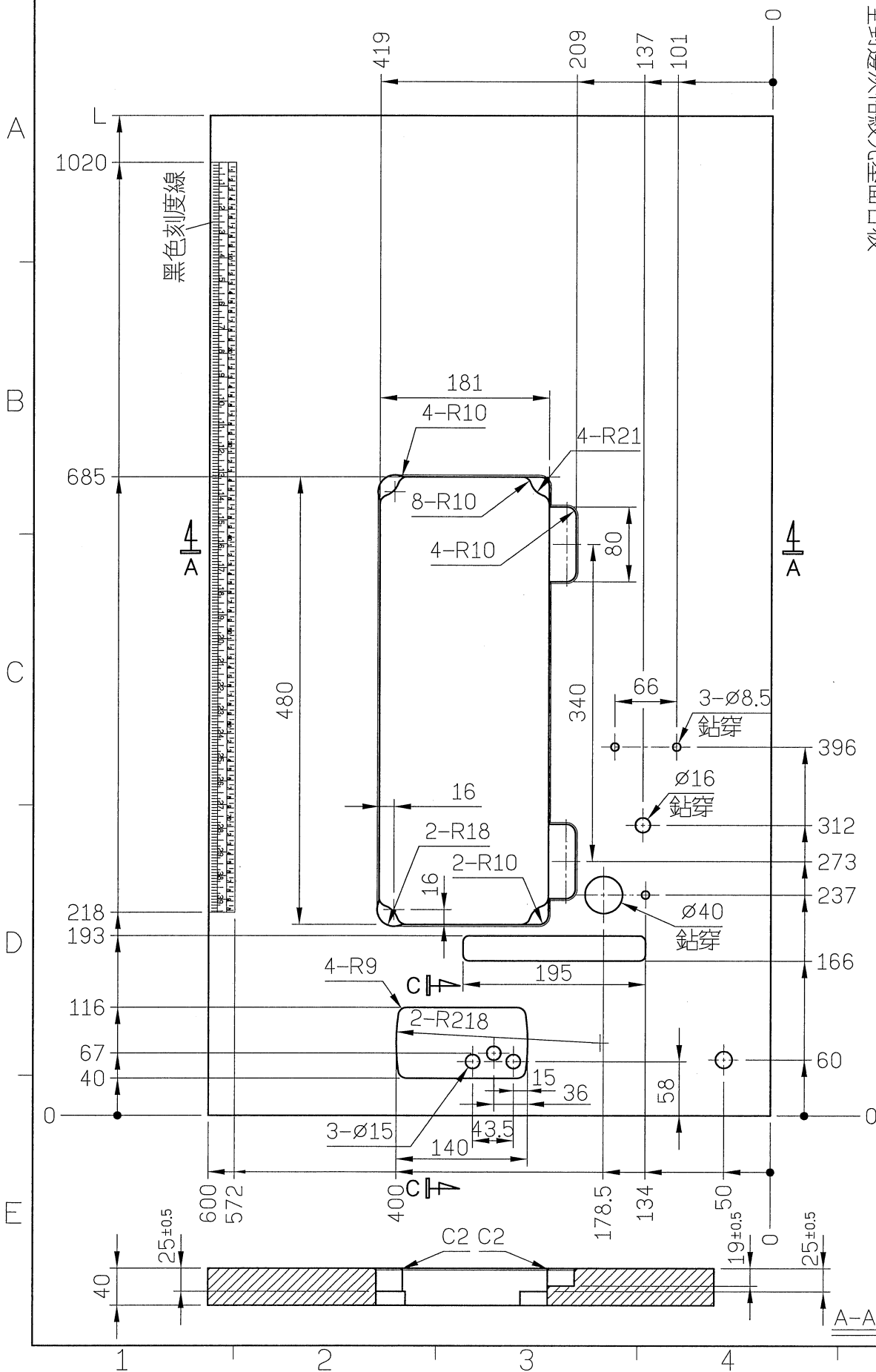


TABLE CUT-OUT OF LZ457A-T1

高速機械式折曲縫紉機桌板圖
 TABLE CUT-OUT FOR LZ457A
 單位/UNIT:mm
 所有尺寸公差/DIFFERENCE:±2
 LZ457A-T1長度(L):1200/重量:11.4kg±5%
 全封邊灰格紋光塑面台板



A-A 剖面



LZ457A

高林股份有限公司 KAULIN MFG. CO., LTD.

The specification and/or appearances of the equipment described in this instruction book and parts list are subject to change because of modification without previous notice.

0303 MAR.2006