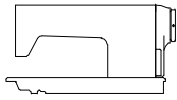
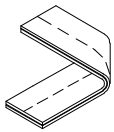
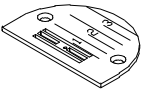
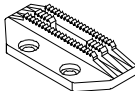
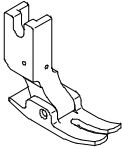
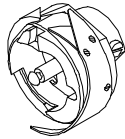
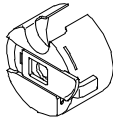


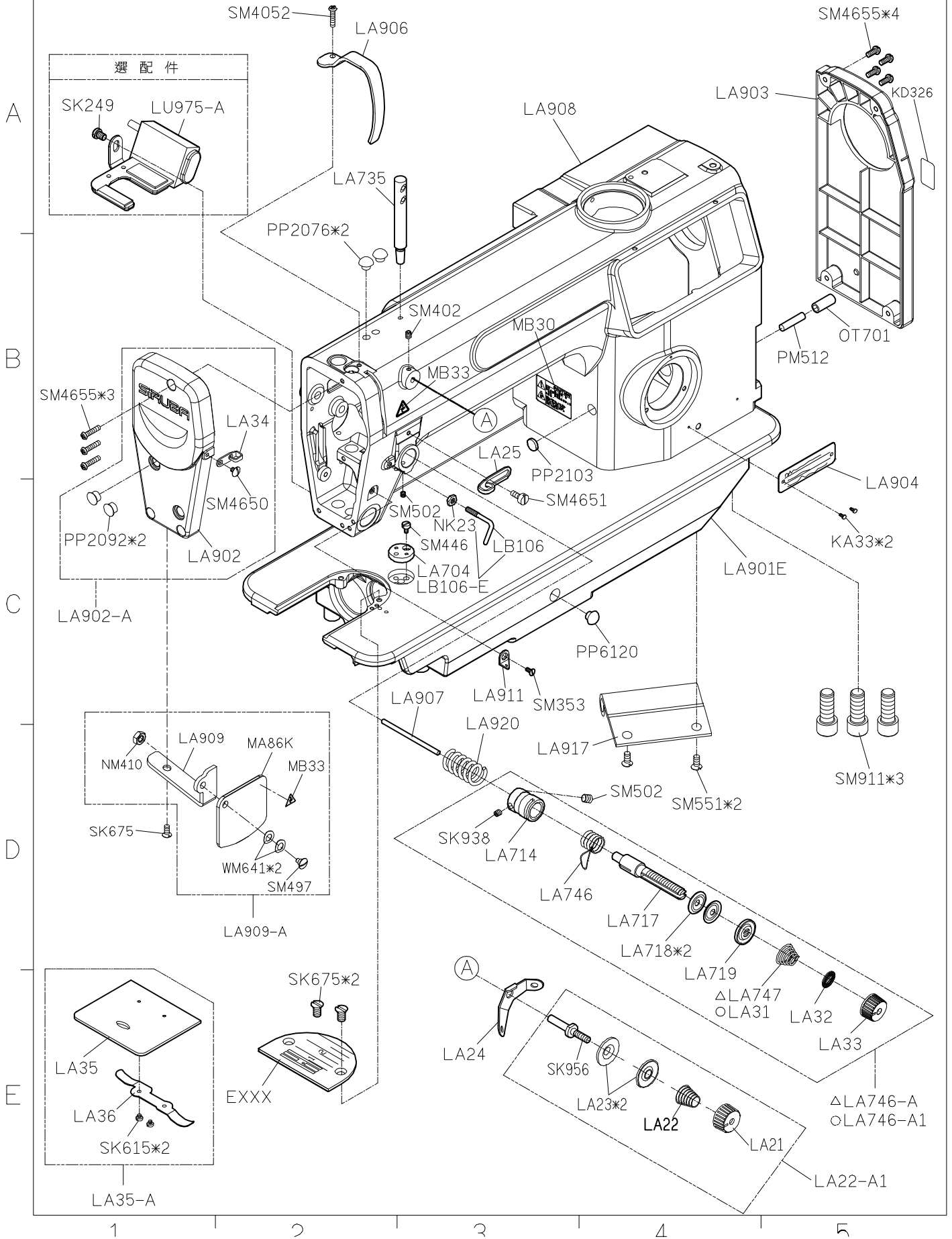


SIRUBA GAGE PARTS LIST	Series			Remark				Page	Date
	ML8000D							1 / 1	2014/04/22
									
MODEL	SUB-CLASS	NEEDLE PLATE	FEED DOG	PRESSER FOOT	HOOK ASM	BOBBIN CASE ASM	BOBBIN	NEEDLE	
機 型	規 格	針 板	送 具	押 具	梭 頭	梭 殼	梭 子	針 號	
ML8000D-AM1-11 ? ML8000D-AM1-13	中厚布料 至 厚布料	E806	D806	P701	G121	G202	G303	DB*1#14	
ML8000D-AM1A-11 ? ML8000D-AM1A-13		E806D	D806D						
ML8000D-AH1-11 ? ML8000D-AH1-13		E711	D711	P711	G124			DB*1#21	
ML8000D-AH1A-11 ? ML8000D-AH1A-13		E711D	D711D	P711D					

**SIRUBA****PARTS LIST****Series****ML8000D****Parts Group****LA****Subclass / Remark**

△ For Heavy Model 厚料  
(ML8000D-AHX-XX)  
○ For Medium Model 中厚  
(ML8000D-AMX-XX)

**Page****1/2****Date****2015/04/15**

LA727D-A

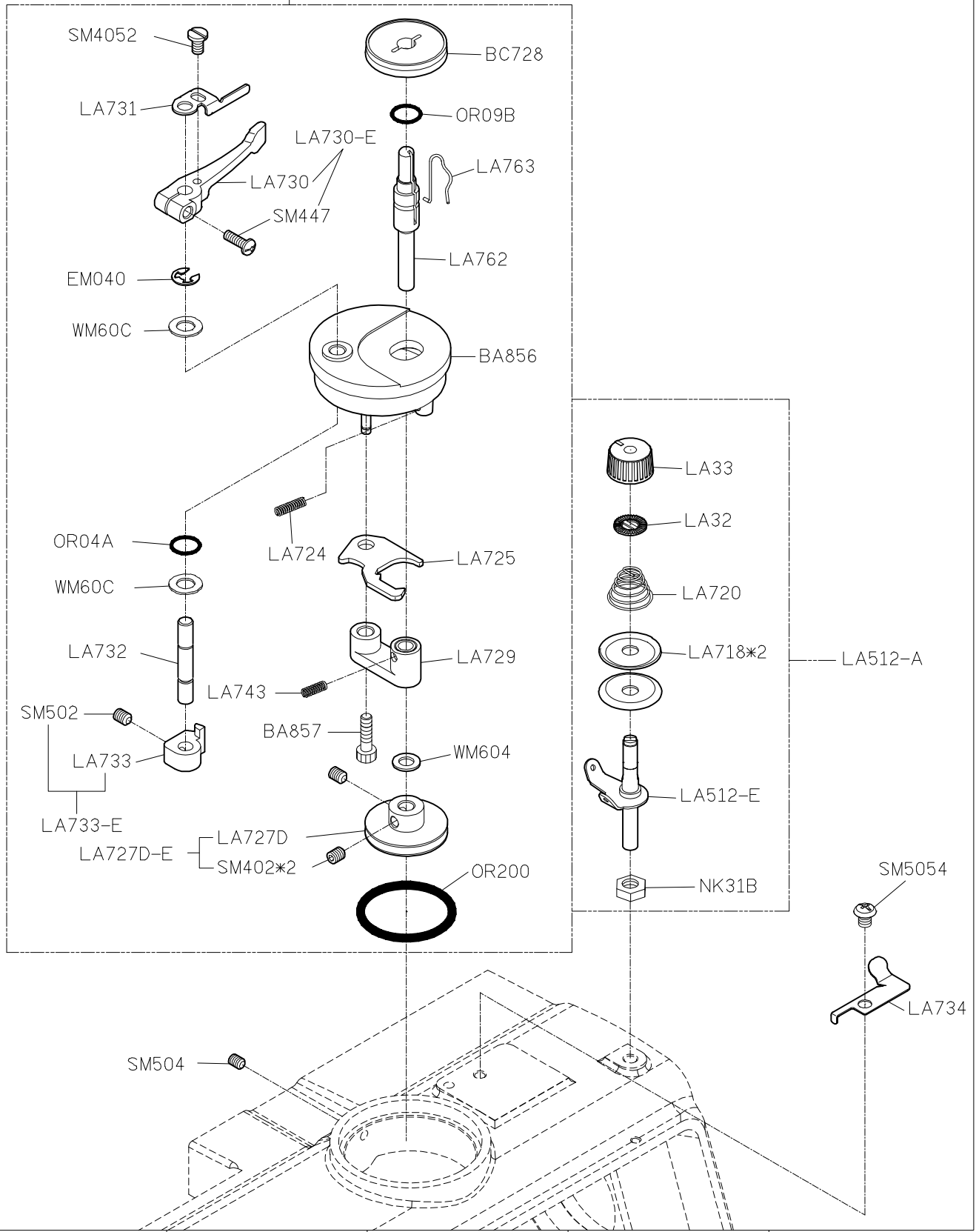
A

B

C

D

E



1

2

3

4

5

**SIRUBA**  
**PARTS LIST**

**Series**  
**ML8000D**

**Parts Group**  
**LB**

**Subclass / Remark**

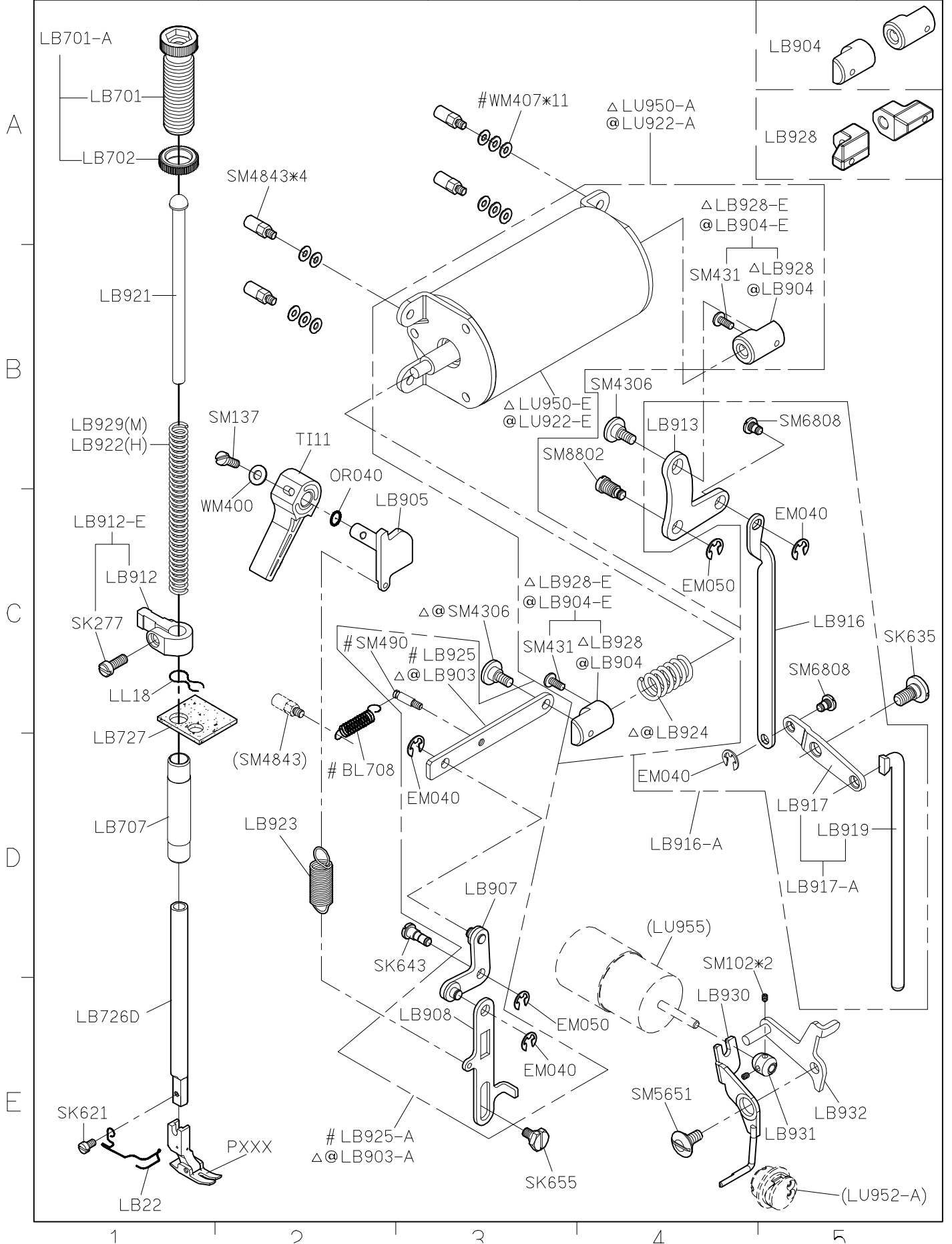
△ For AH1-13 Model  
@ For AM1-13 Model  
# For AM1-11 & AH1-11 Model

**Page**

**1/1**

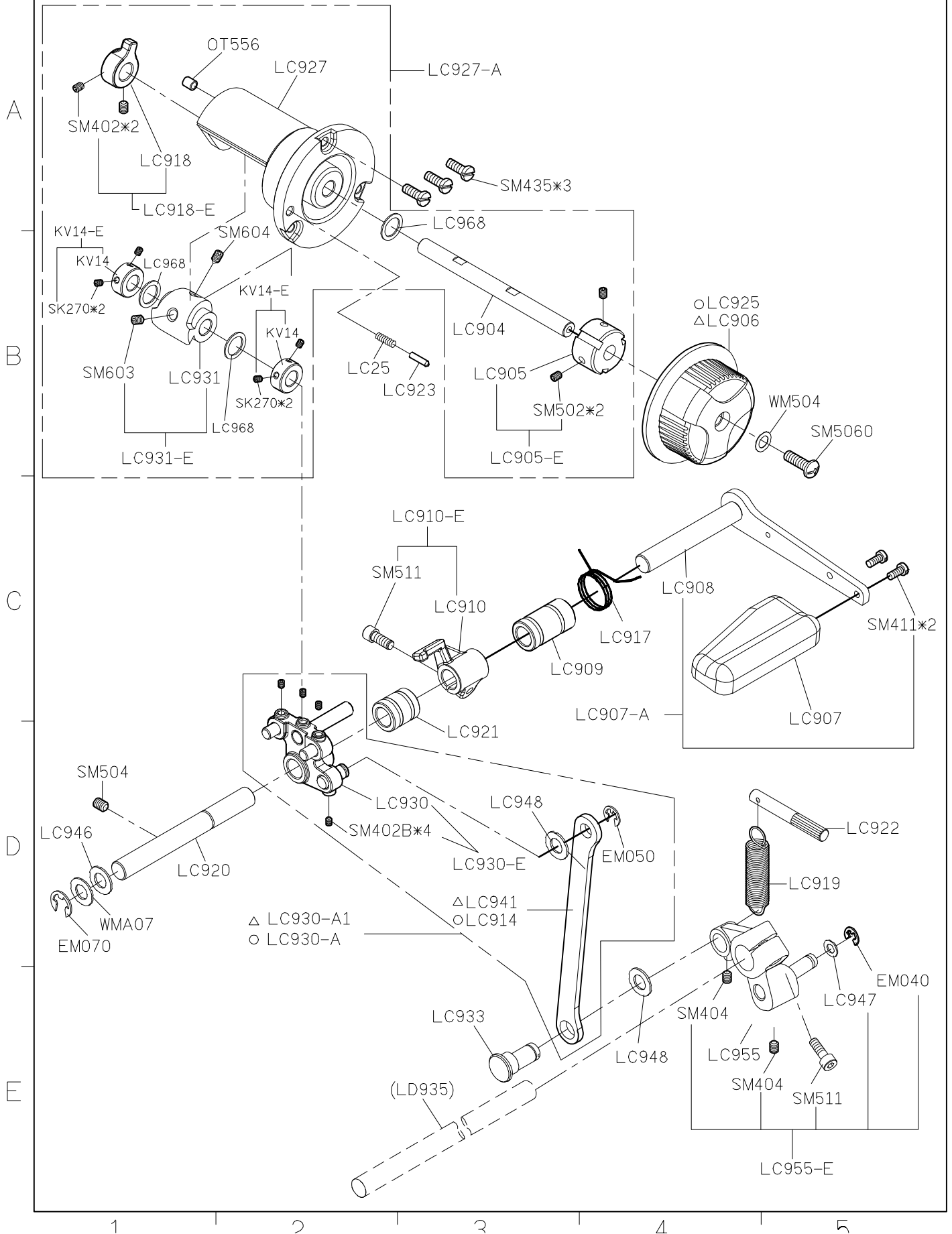
**Date**

**2012/12/04**



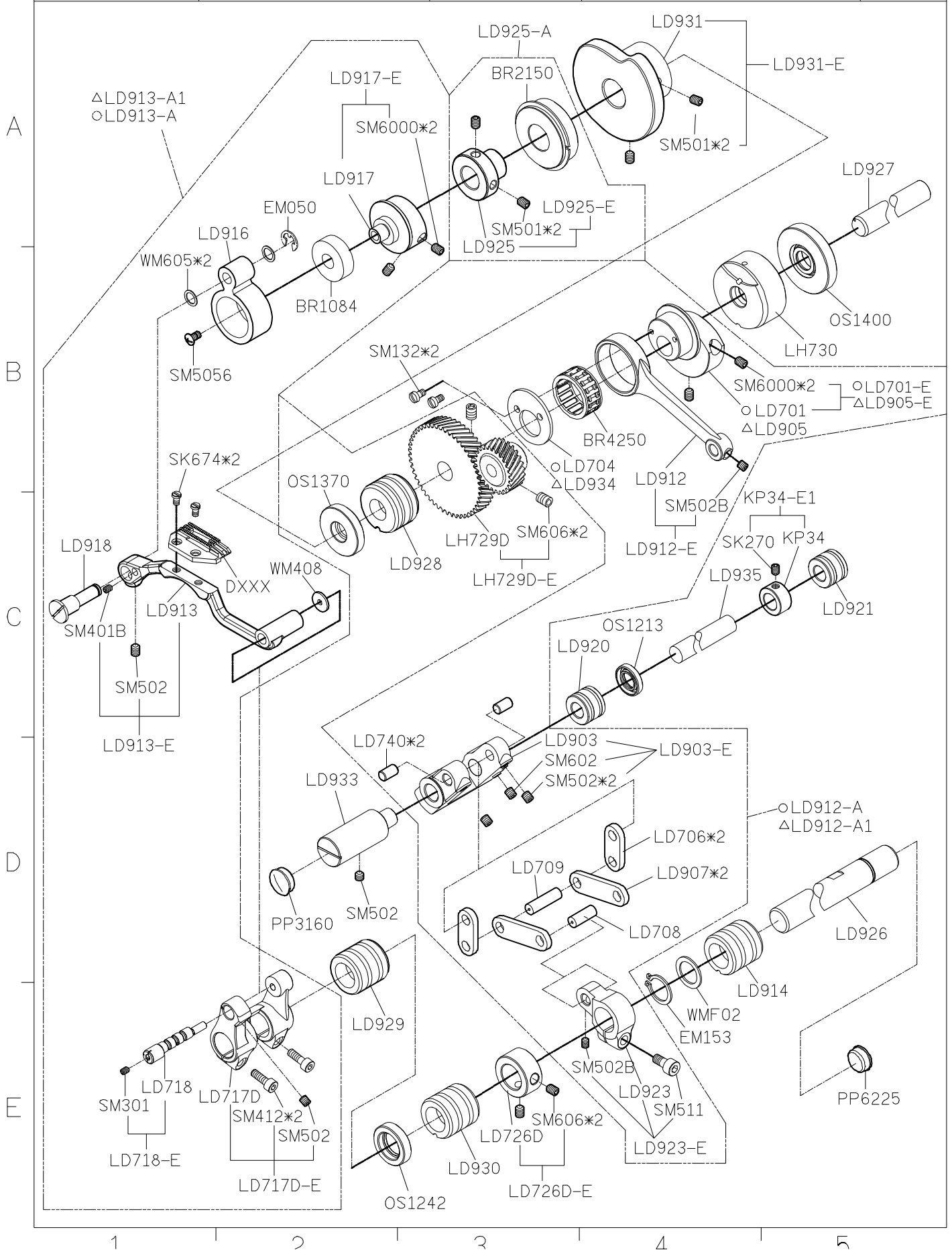
**SIRUBA****PARTS LIST****Series****ML8000D****Parts Group****LC****Subclass / Remark**

△ For Heavy Model 厚料  
(ML8000D-AHX-XX)  
○ For Medium Model 中厚  
(ML8000D-AMX-XX)

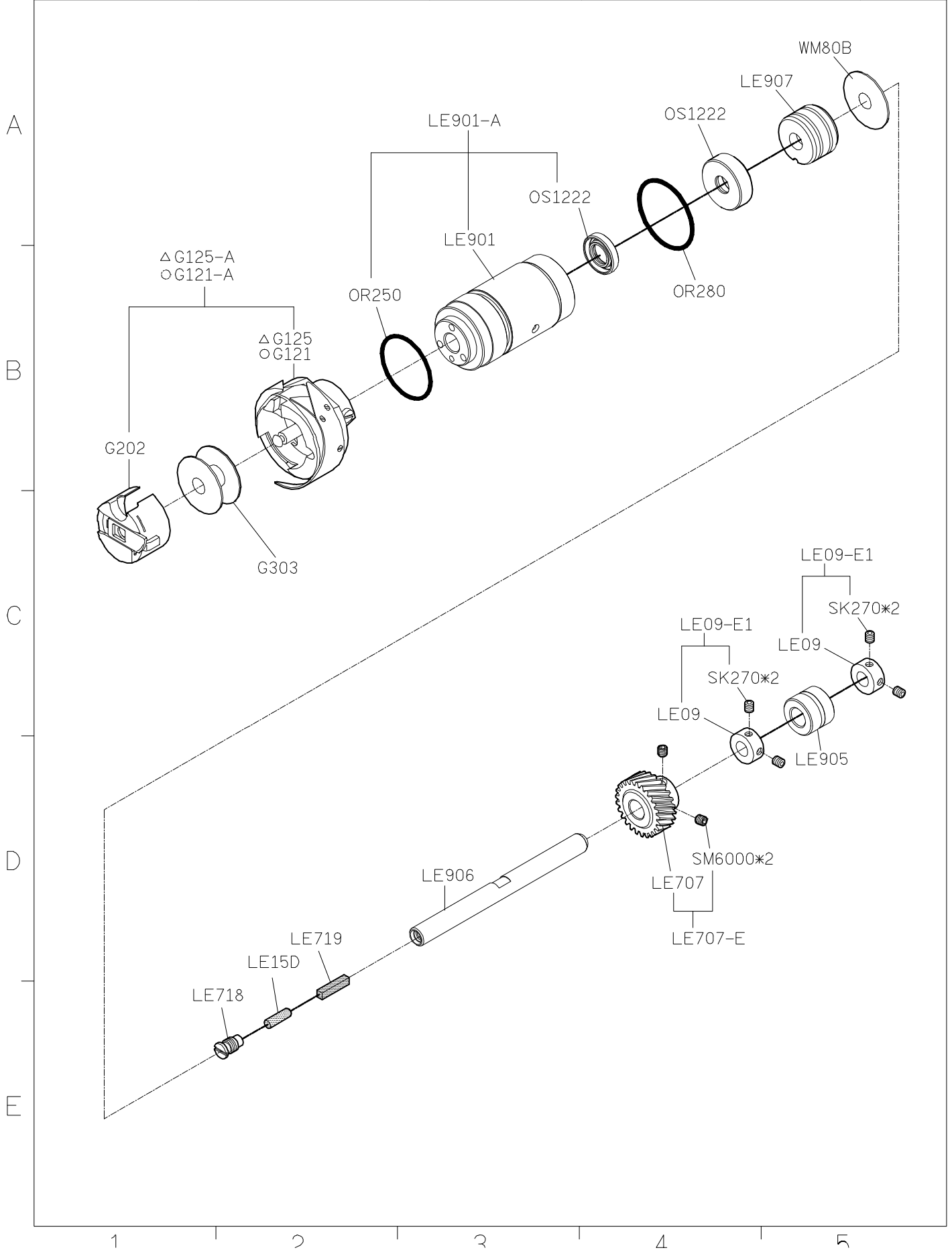
**Page****1/1****Date****2014/03/12**

**SIRUBA****PARTS LIST****Series****ML8000D****Parts Group****LD****Subclass / Remark**

△ For Heavy Model 厚料  
(ML8000D-AHX-XX)  
○ For Medium Model 中厚  
(ML8000D-AMX-XX)

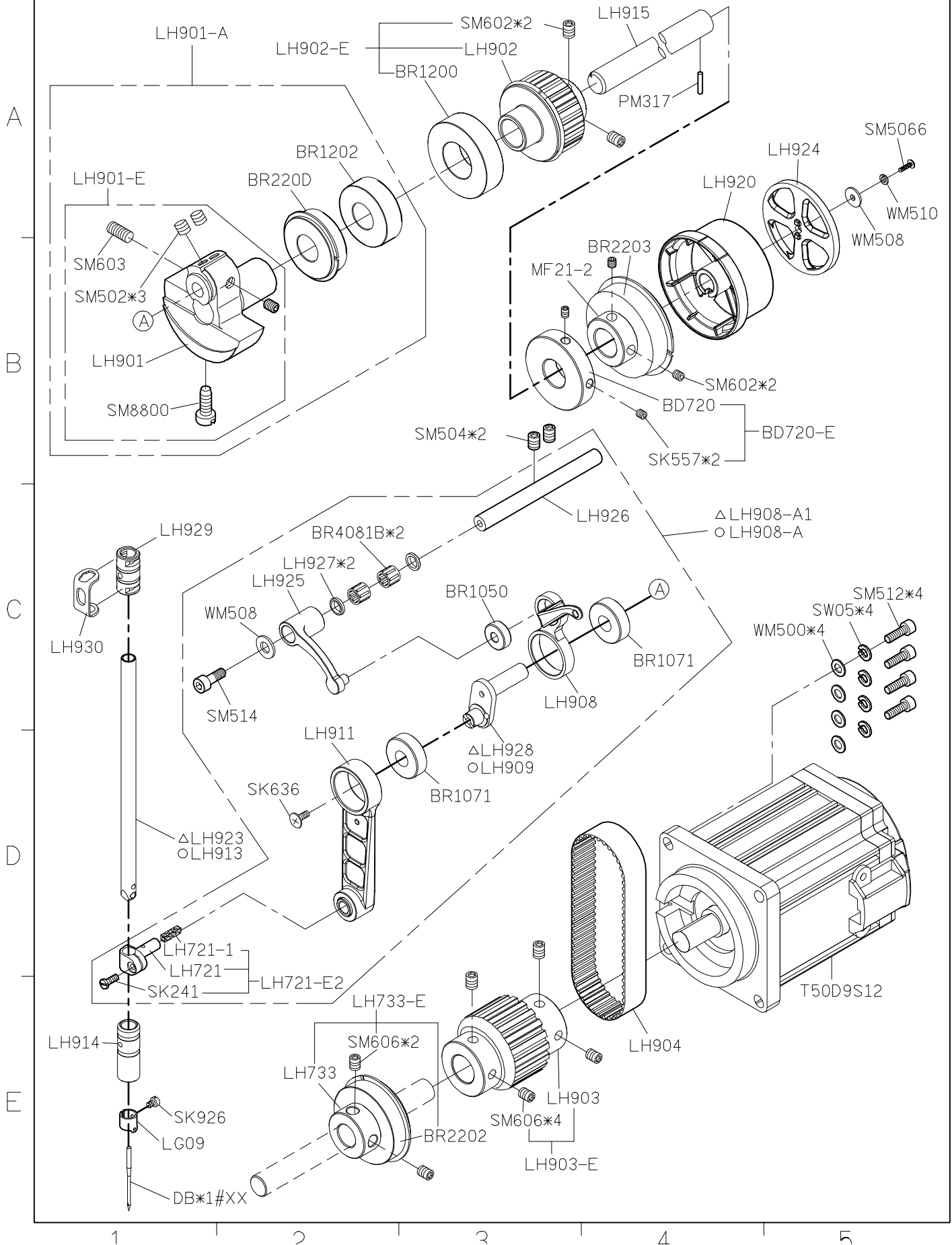
**Page****1/1****Date****2013/09/16**

<b>SIRUBA</b>  <b>PARTS LIST</b>	Series	Parts Group	Subclass / Remark	Page
	<b>ML8000D</b>	<b>LE</b>	△ For Heavy Model 厚料 (ML8000D-AHX-XX)	<b>1/1</b>
			○ For Medium Model 中厚 (ML8000D-AMX-XX)	<b>Date</b>
				<b>2013/07/12</b>



**SIRUBA****PARTS LIST****Series****ML8000D****Parts Group****LH****Subclass / Remark**

△ For Heavy Model 厚料  
(ML8000D-AHX-XX)  
○ For Medium Model 中厚  
(ML8000D-AMX-XX)

**Page****1/1****Date****2013/10/30**



**SIRUBA**

**PARTS LIST**

**Series**

**ML8000D**

**Parts Group**

**LL**

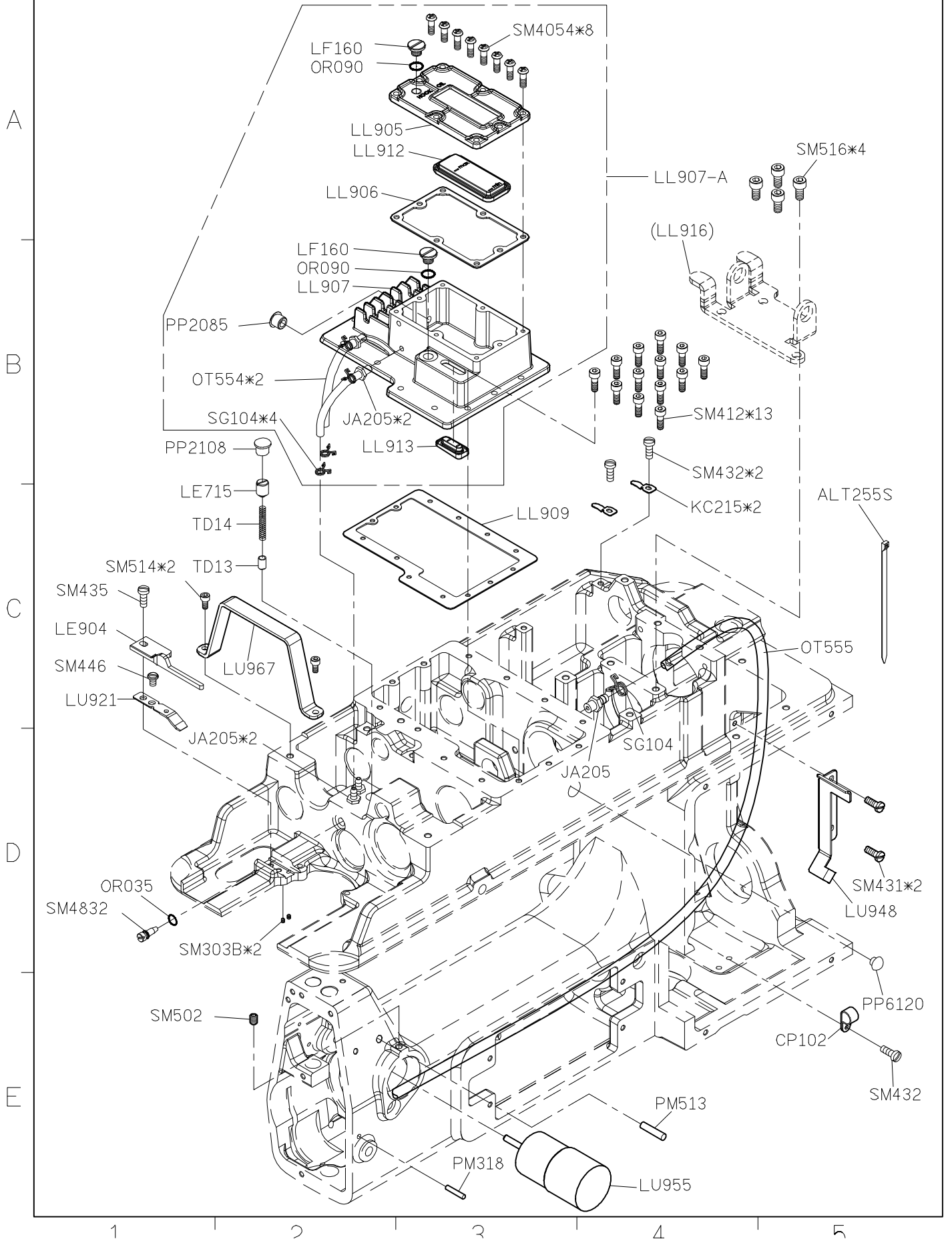
**Subclass / Remark**

**Page**

**1/2**

**Date**

**2013/12/20**



**SIRUBA**

**PARTS LIST**

**Series**

**ML8000D**

**Parts Group**

**LL**

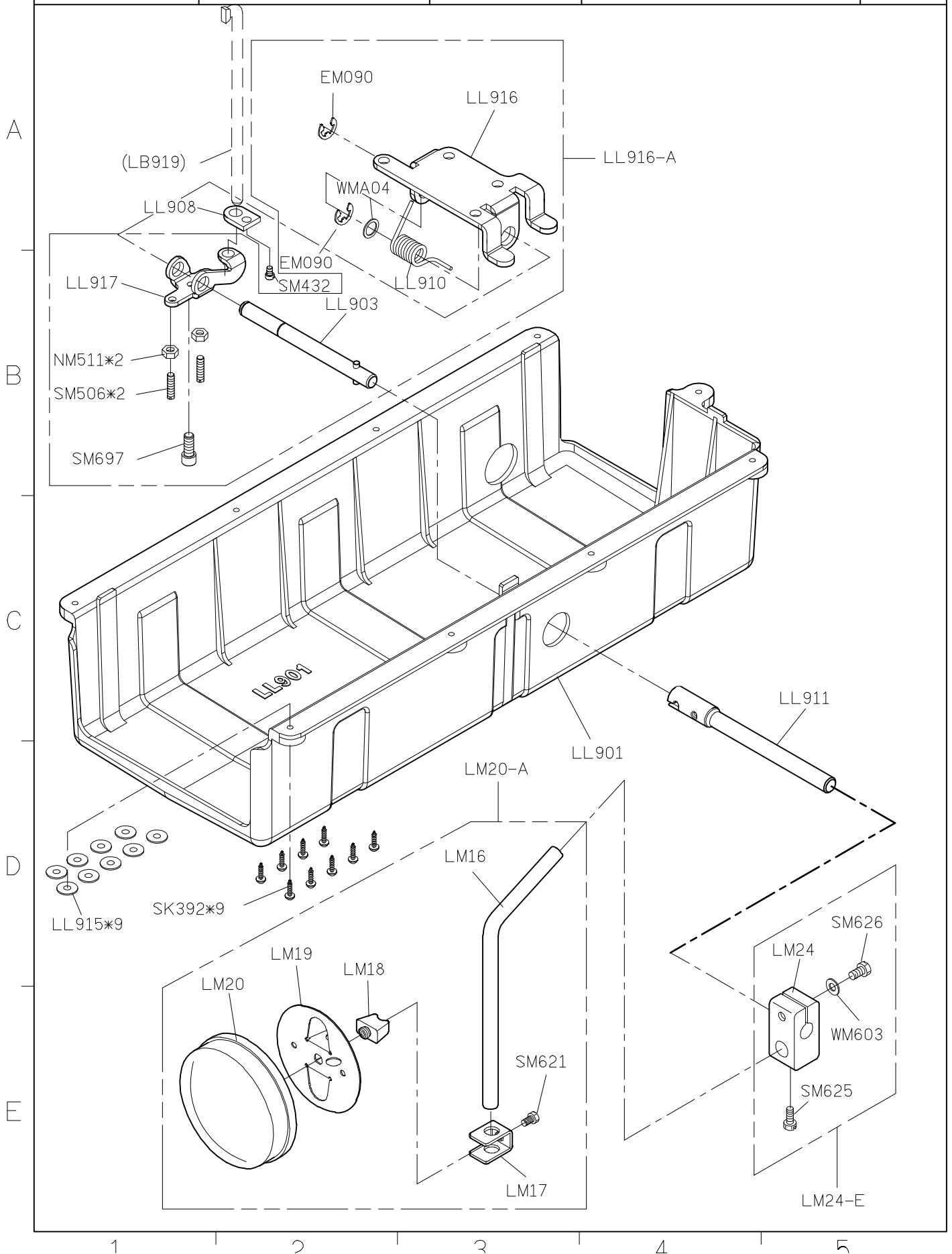
**Subclass / Remark**

**Page**

**2/2**

**Date**

**2013/12/20**



**SIRUBA**

**PARTS LIST**

**Series**

**ML8000D**

**Parts Group**

**LU**

**Subclass / Remark**

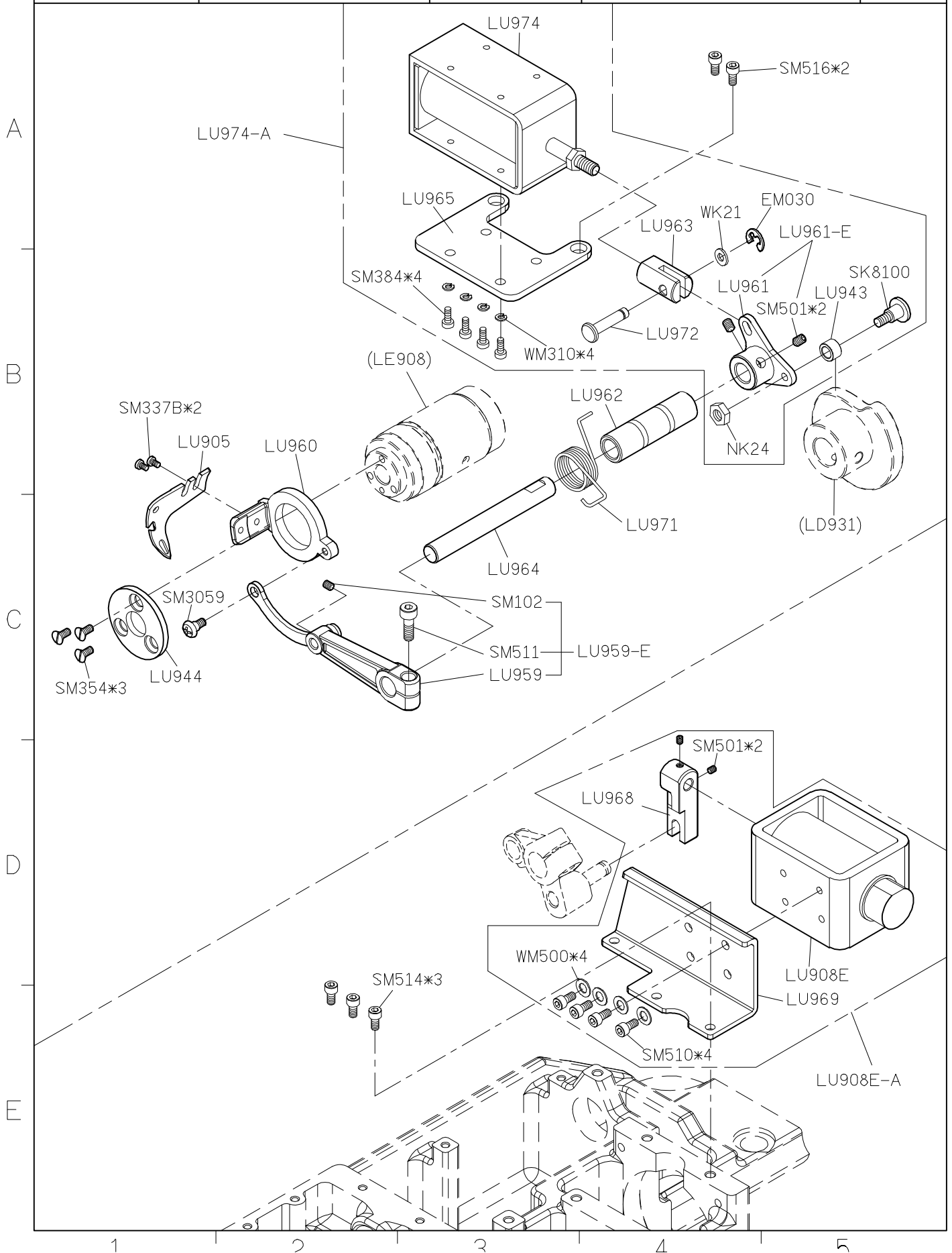
△ For Heavy Model 厚料  
(ML8000D-AHX-XX)  
○ For Medium Model 中厚  
(ML8000D-AMX-XX)

**Page**

**1/2**

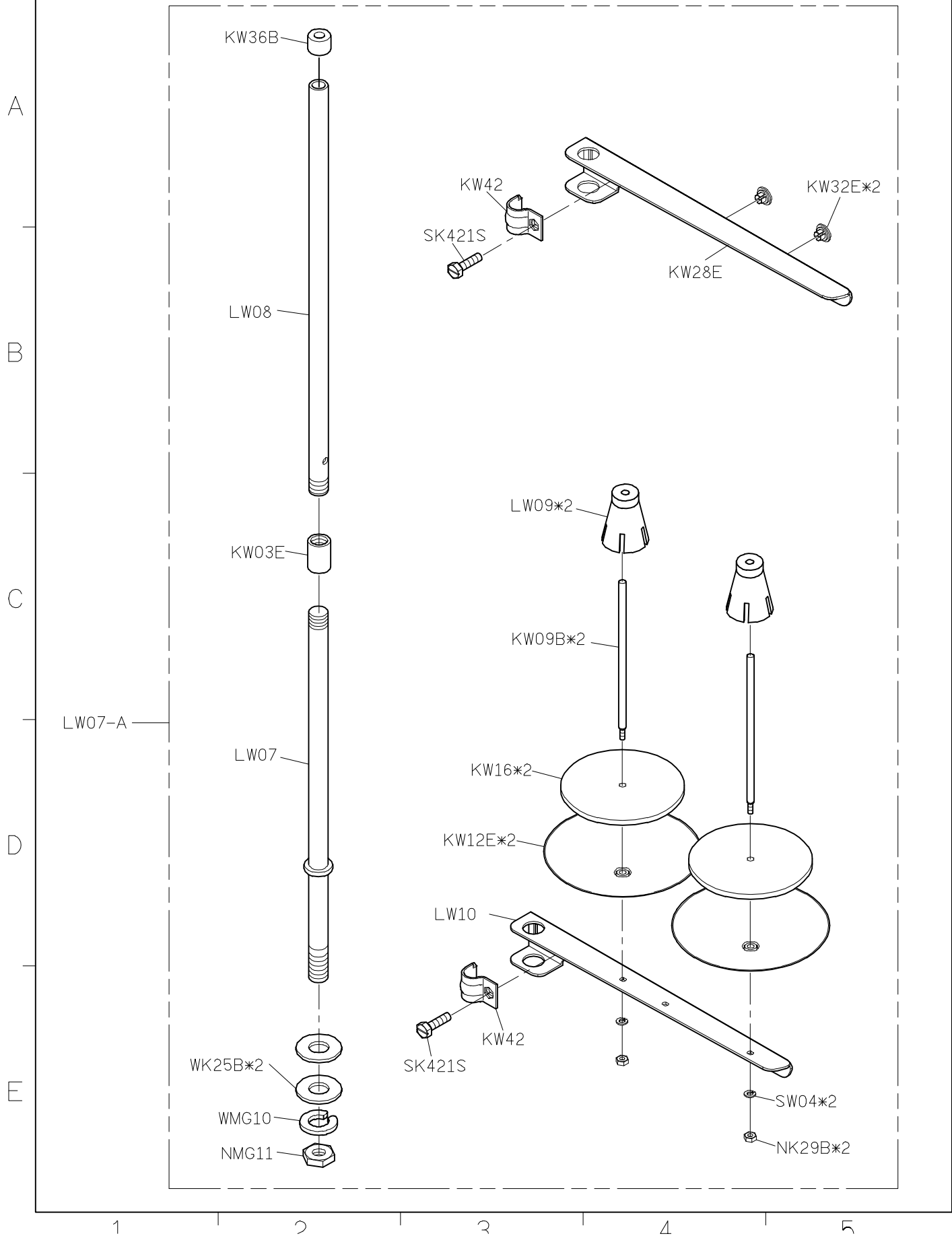
**Date**

**2015/06/02**





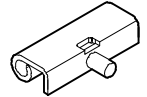
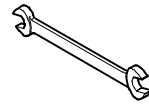
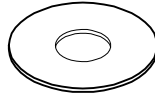
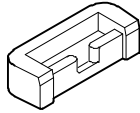
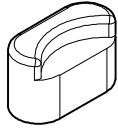
<b>SIRUBA</b>  <b>PARTS LIST</b>	<b>Series</b>	<b>Parts Group</b>	<b>Subclass / Remark</b>	<b>Page</b>
	<b>ML8000D</b>	<b>LW</b>		<b>1/1</b>
				<b>Date</b>
				<b>2012/12/04</b>



SIRUBA PARTS LIST	Series	Parts Group	Subclass / Remark	Page
	ML8000D	LY	△ For Heavy Model 厚料 (ML8000D-AHX-XX) ○ For Medium Model 中厚 (ML8000D-AMX-XX)	1/1
				Date
				2013/09/10

LY901      LY909\*3      LY910\*2      LY911      LY01      LY05

A



LY33-A

LY35

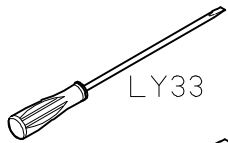
LY37-A(#10)

ANC08\*2

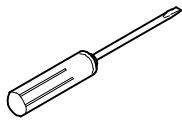
BS508-A

△ DB\*1#21B-E(H)  
○ DB\*1#14B-E(M)

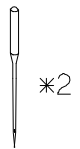
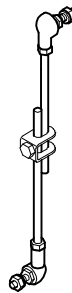
B



LY33



LY34



\*2

FU202\*3

G303\*2

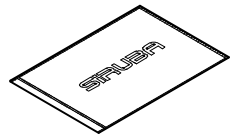
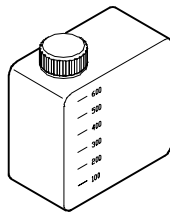
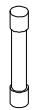
KY02F-A(#20)

KY03

KY04

KY201

C



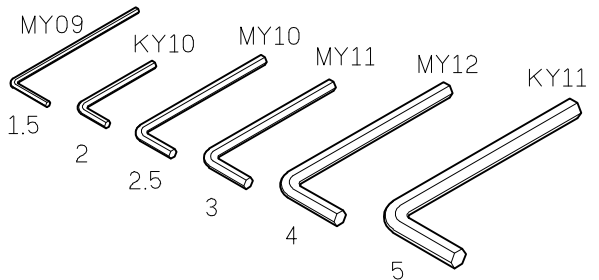
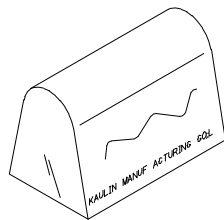
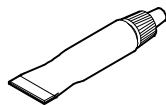
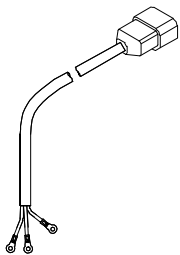
LU946

MHK80

MY01

MY10-A

D



E

1

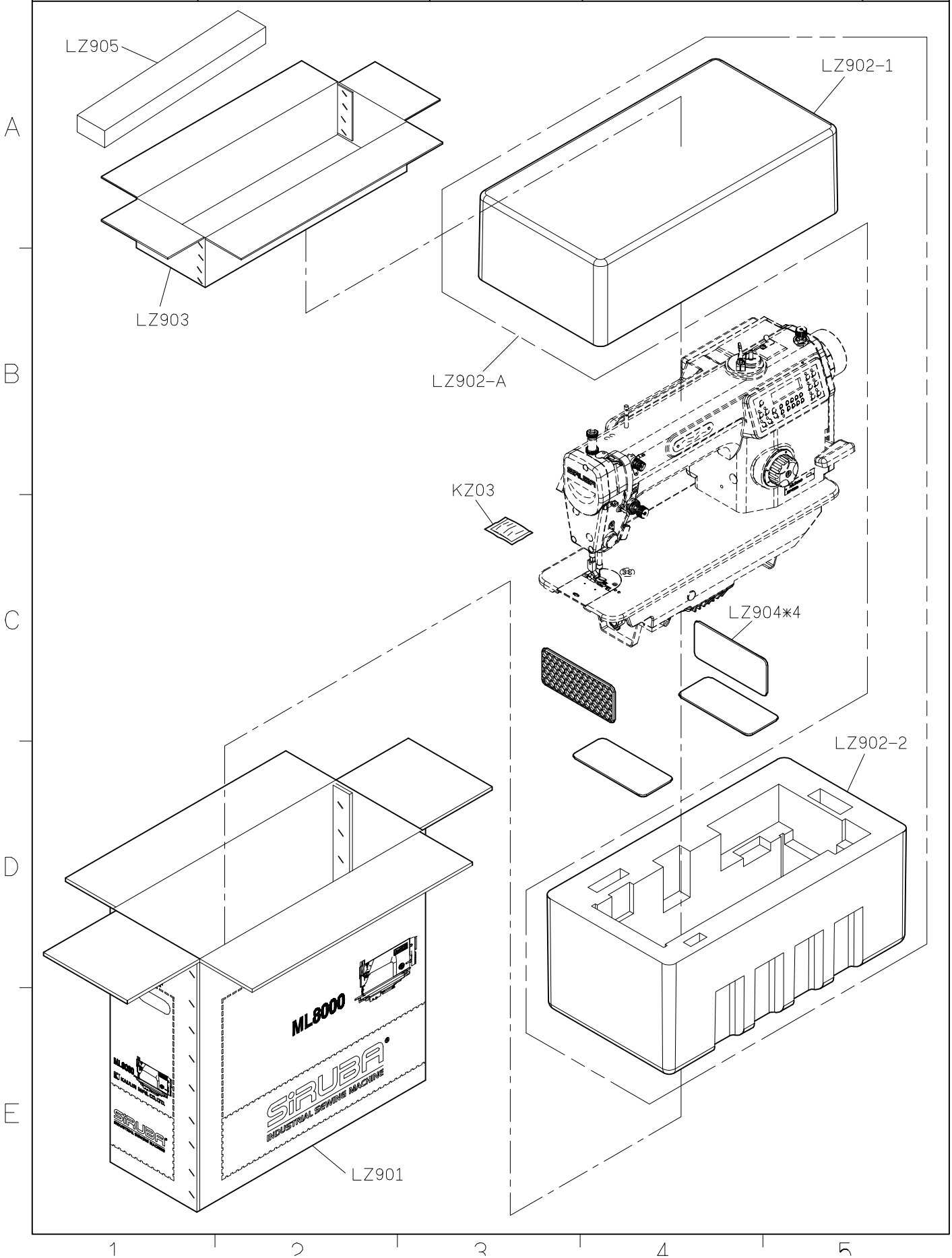
2

3

4

5

<b>SIRUBA</b> <b>PARTS LIST</b>	Series	Parts Group	Subclass / Remark	Page
	<b>ML8000D</b>	<b>LZ</b>		1/1
				Date
				2012/12/04



<b>SIRUBA</b> <b>PARTS LIST</b>	Series	Parts Group	Subclass / Remark	Page
	<b>ML8000D</b>	<b>CS</b>		1/1
				Date
				2013/08/14

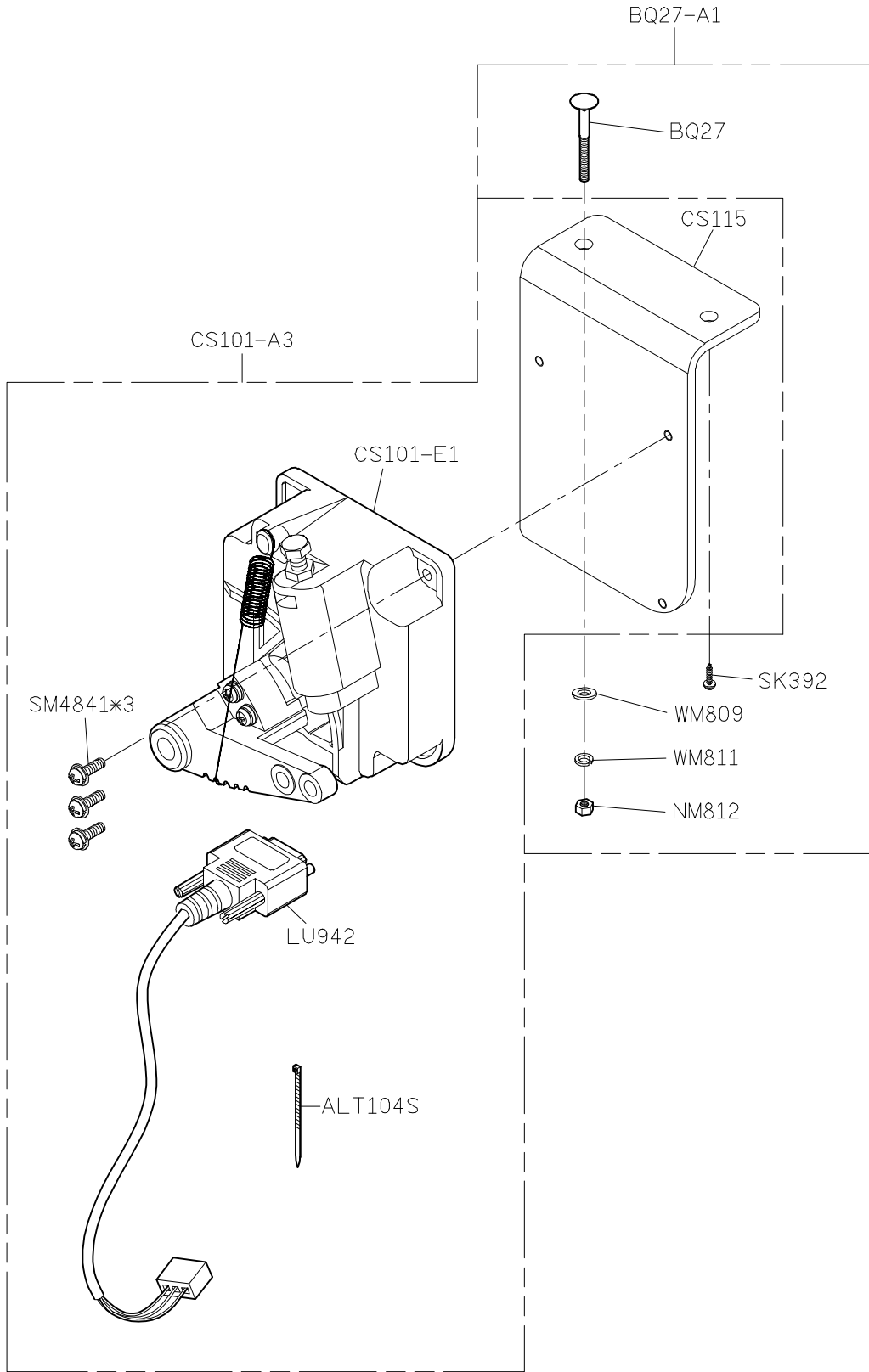
A

B

C

D

E



1

2

3

4

5



**SIRUBA**TABLE  
CUT - OUT

Series

ML8000D

Item Code

ML8000D  
-T1

Subclass / Remark

For ML8000D Model

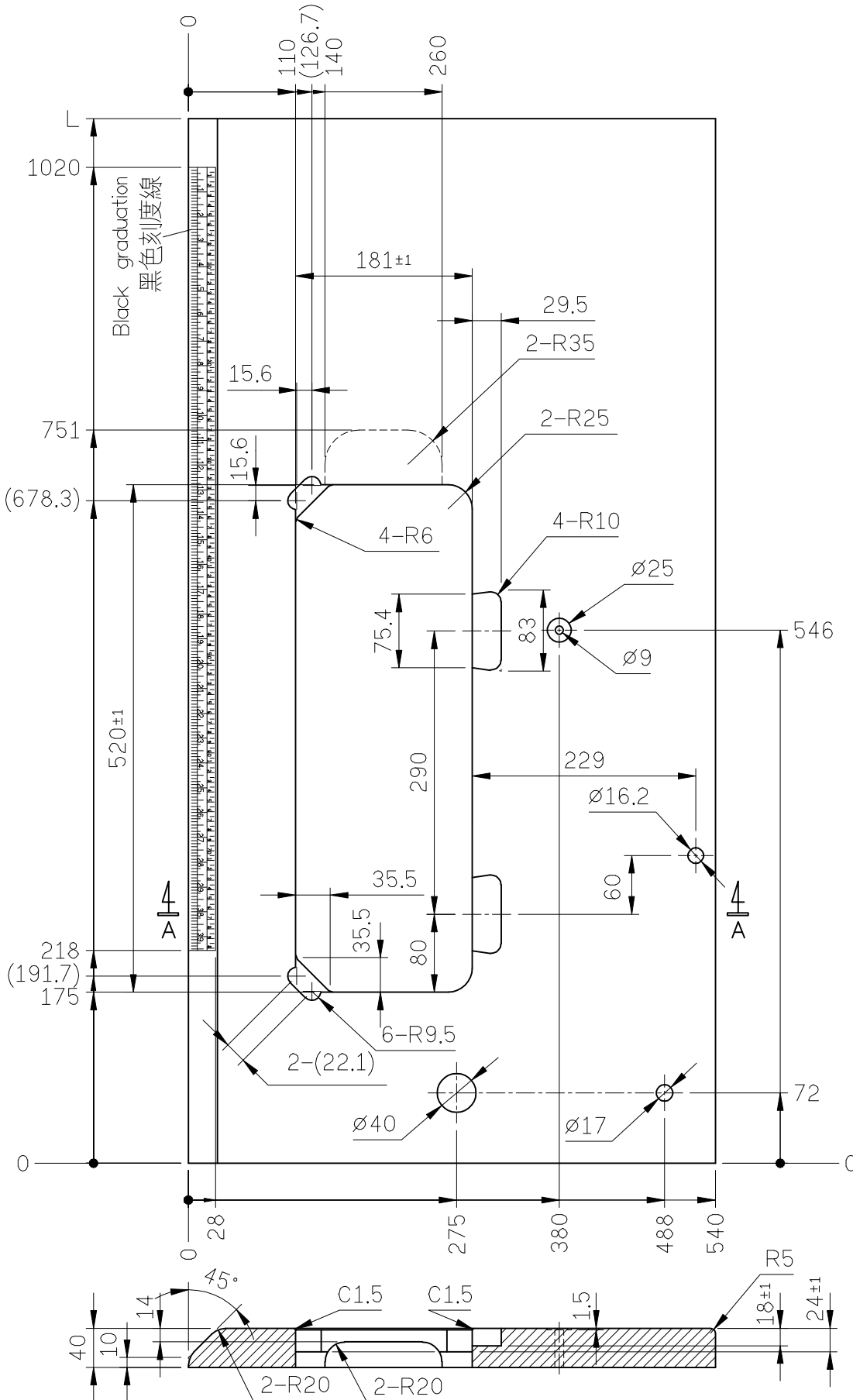
Mounting

Semi-submerged

Date

2012/11/30

單位 / UNIT : mm  
 未標示尺寸公差 / DIFFERENCE : ±1  
 長度 (L) : 1070 / 重量 (W) : 10.4kg ± 5%  
 長度 (L) : 1200 / 重量 (W) : 11.4kg ± 5%

A-A 剖面  
SECTION