

SIRUBA PARTS LIST	Series	Parts Group	Subclass / Remark	Page
	AA	AA		1/4
				Date
				2019/01/25

馬達代號	電壓規格
A900E-35	50Hz 190V-200V 90W 60Hz 200V-219V 90W
A900E-36	50Hz 208V-219V 90W 60Hz 220V-240V 90W
A900E-37	50Hz 220V-250V 90W 60Hz 250V-270V 90W
A900E-38	50Hz 100V 90W 60Hz 100V-120V 90W
A900E-39	60Hz 100V-120V 80W
A900E-40	DC 12V 90W
A900E-41	DC 24V 90W

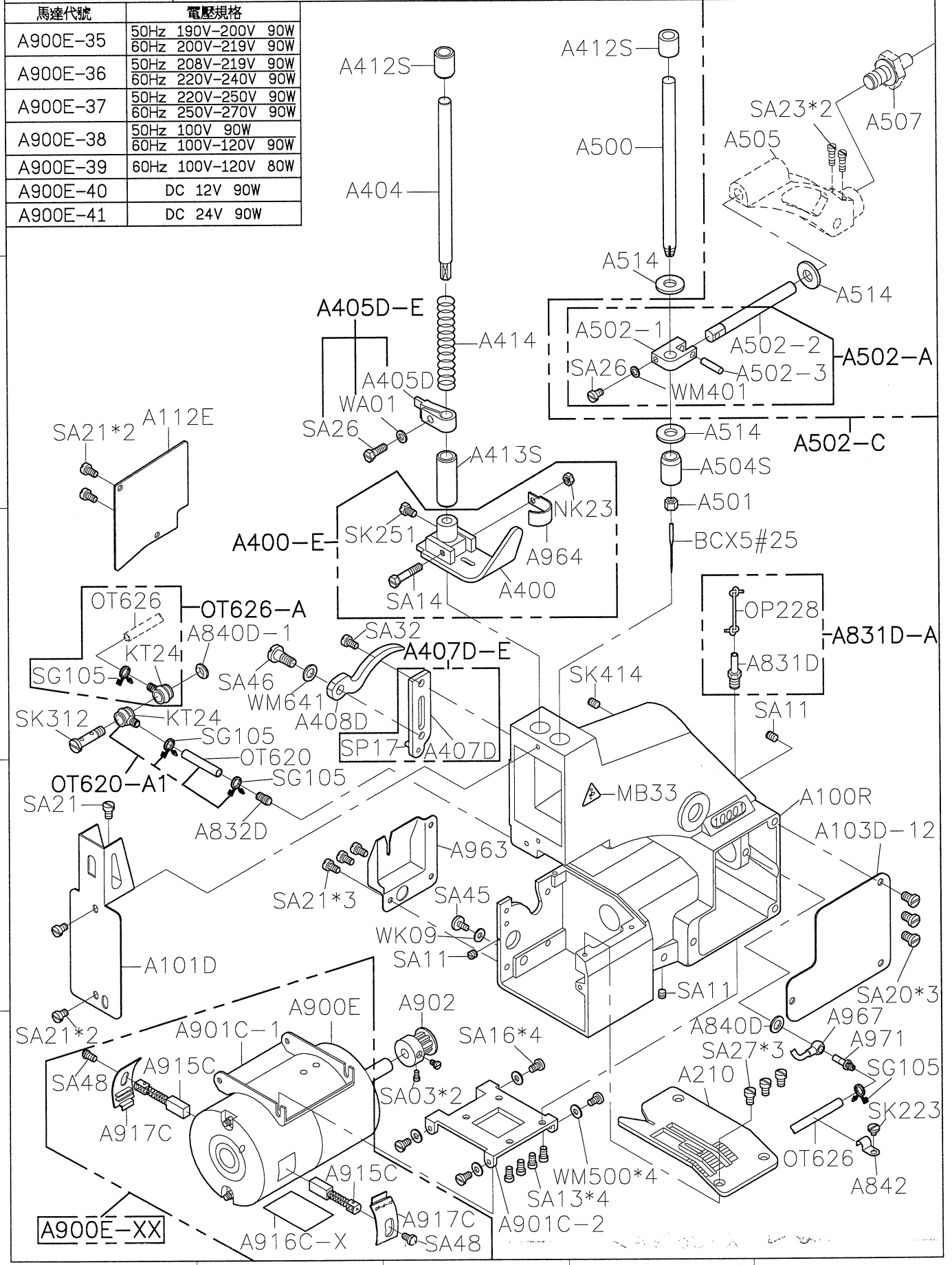
A

B

C

D

E



1

2

3

4

5

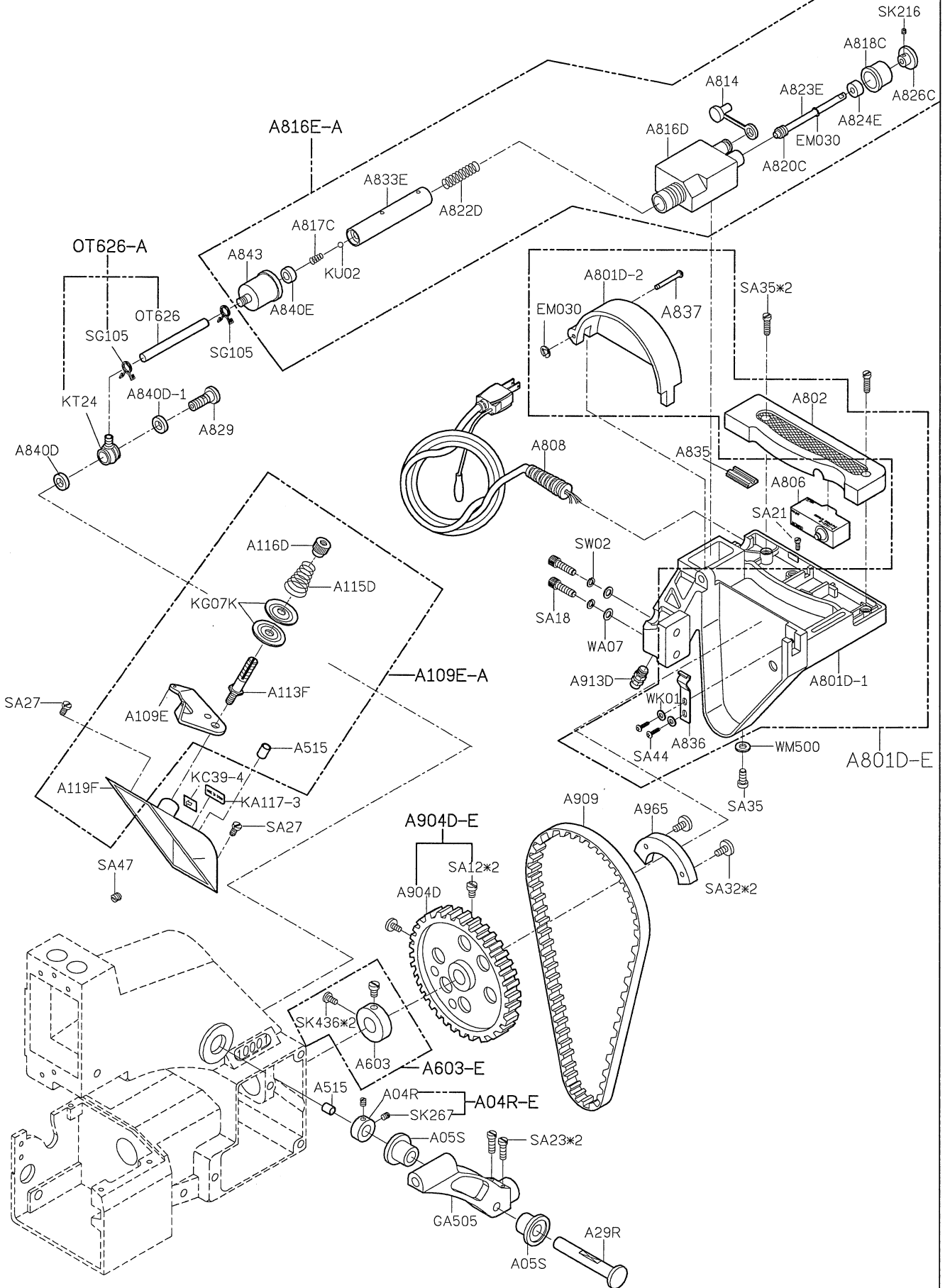
A

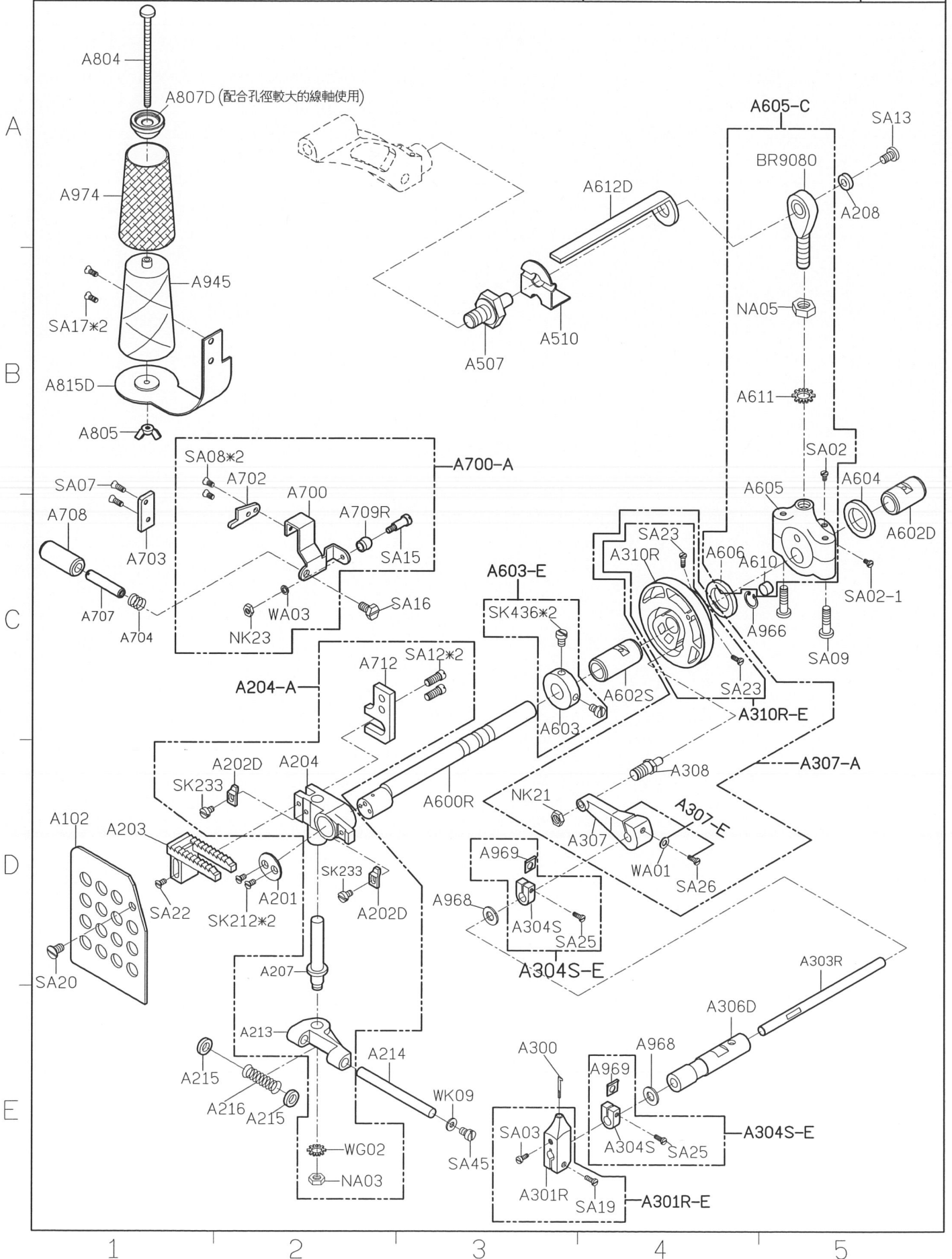
B

C

D

E





SIRUBA PARTS LIST	Series	Parts Group	Subclass / Remark	Page
	AA	AA	△: For Domestic Sales 内銷	4/4
				Date
				2018/08/30

