

BUYER'S MODEL NO.
596

FACTORY MODEL
HE596E0

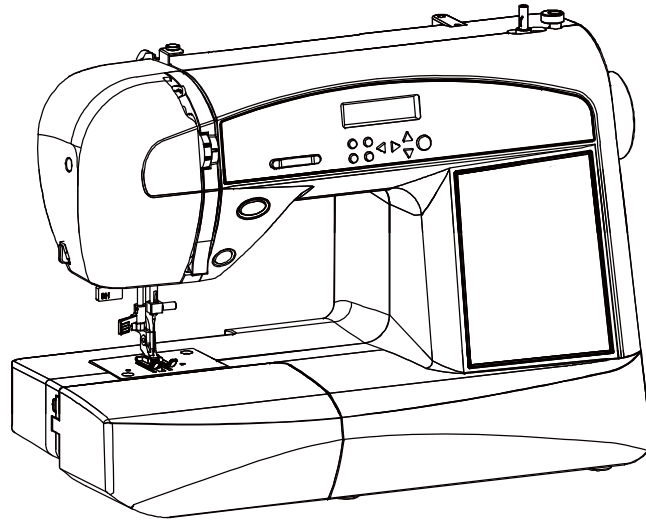
ORIGINAL ISSUE

JULY, 2014

SECTION ----

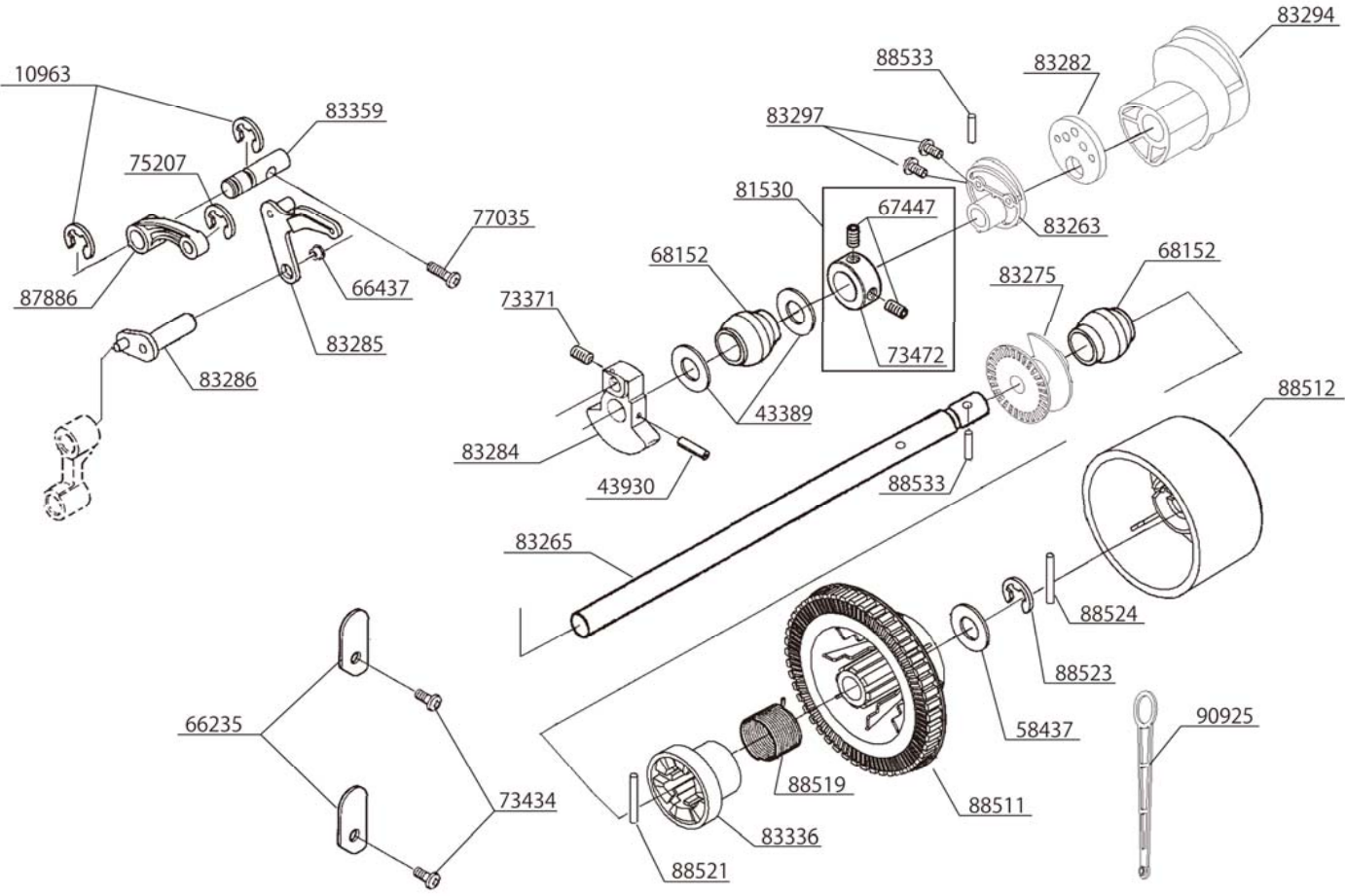
PARTS LIST

596

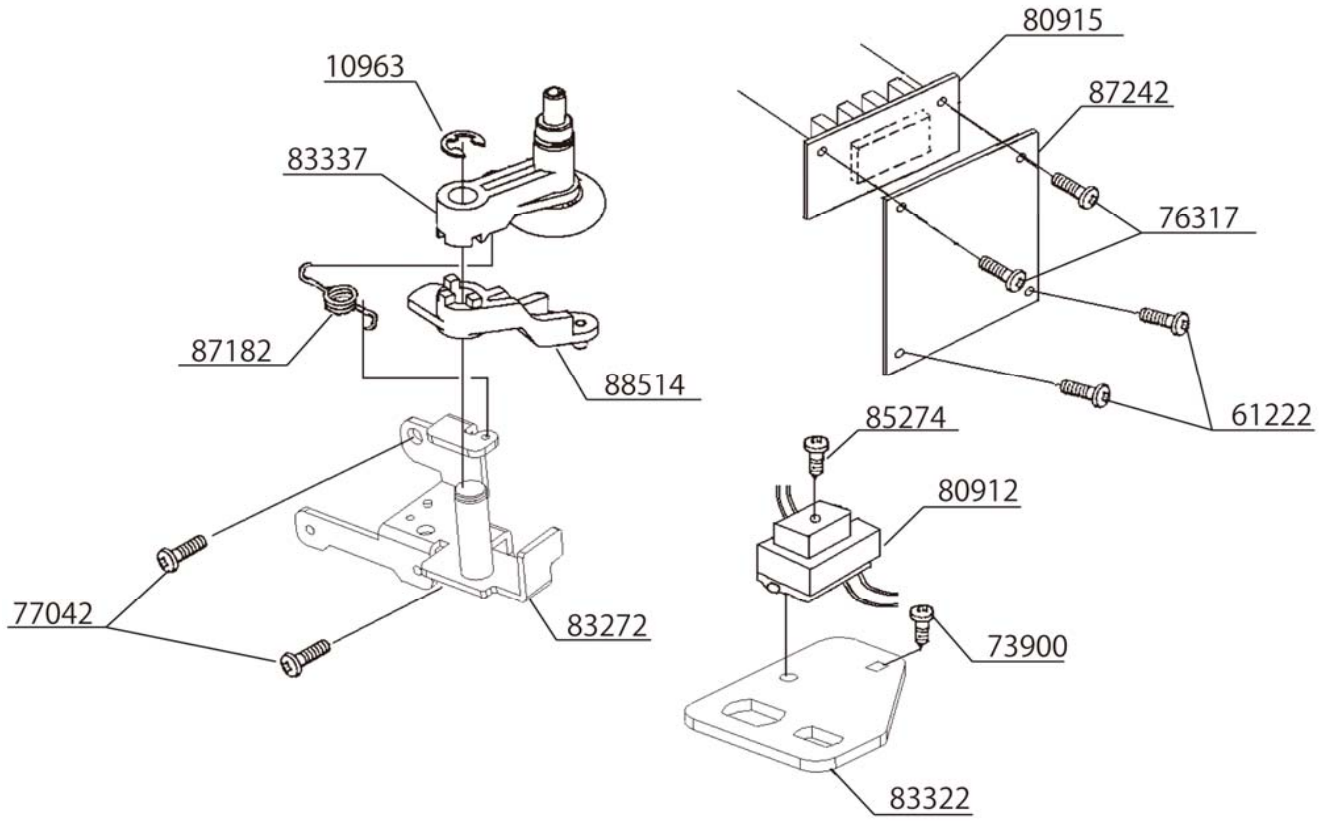


JAGUAR®

BUYER'S MODEL NO.	SECTION	PAGE	REVISION	REMARKS	PART NO.	DESCRIPTION
BUYER'S MODEL NAME	596	1			1	10963 E6 CLIP-ON-WASHER
FACTORY MODEL	HE596E0				2	43389 THRUST WASHER
ORIGINAL ISSUE	JULY, 2014		SERIAL NO.		3	43930 SPRING PIN
					4	58437 WASHER
					5	66235 SECURING PLATE
					6	66437 BUSH
					7	67447 M5 SCREW
					8	68152 BALL BUSH
					9	73371 M6 SCREW
					10	73434 M4 PHILIPS SCREW
					11	73472 COLLAR
					12	75207 CS-CLIP
					13	77035 M4 PHILIPS SCREW
					14	81530 COLLAR
					15	83263 FLANGE
					16	83265 MAIN SHAFT
					17	83275 SENSOR CAM
					18	83282 ECCENTRIC CAM
					19	83284 BALANCE CAM
					20	83285 TAKE-UP LEVER
					21	83286 CRANK SHAFT
					22	83294 FEED REGULATING CAM
					23	83297 M3 PHILIPS SCREW
					24	83336 RATCHET
					25	83359 SHAFT
					26	87886 TAKE-UP LEVER CRANK
					27	88511 BELT PULLEY
					28	88512 HAND WHEEL
					29	88519 COMPRESSION SPRING
					30	88521 PIN
					31	88523 E8 CLIP-ON-WASHER
					32	88524 PIN
					33	88533 SPRING PIN
					34	90925 CONNECTING ROD

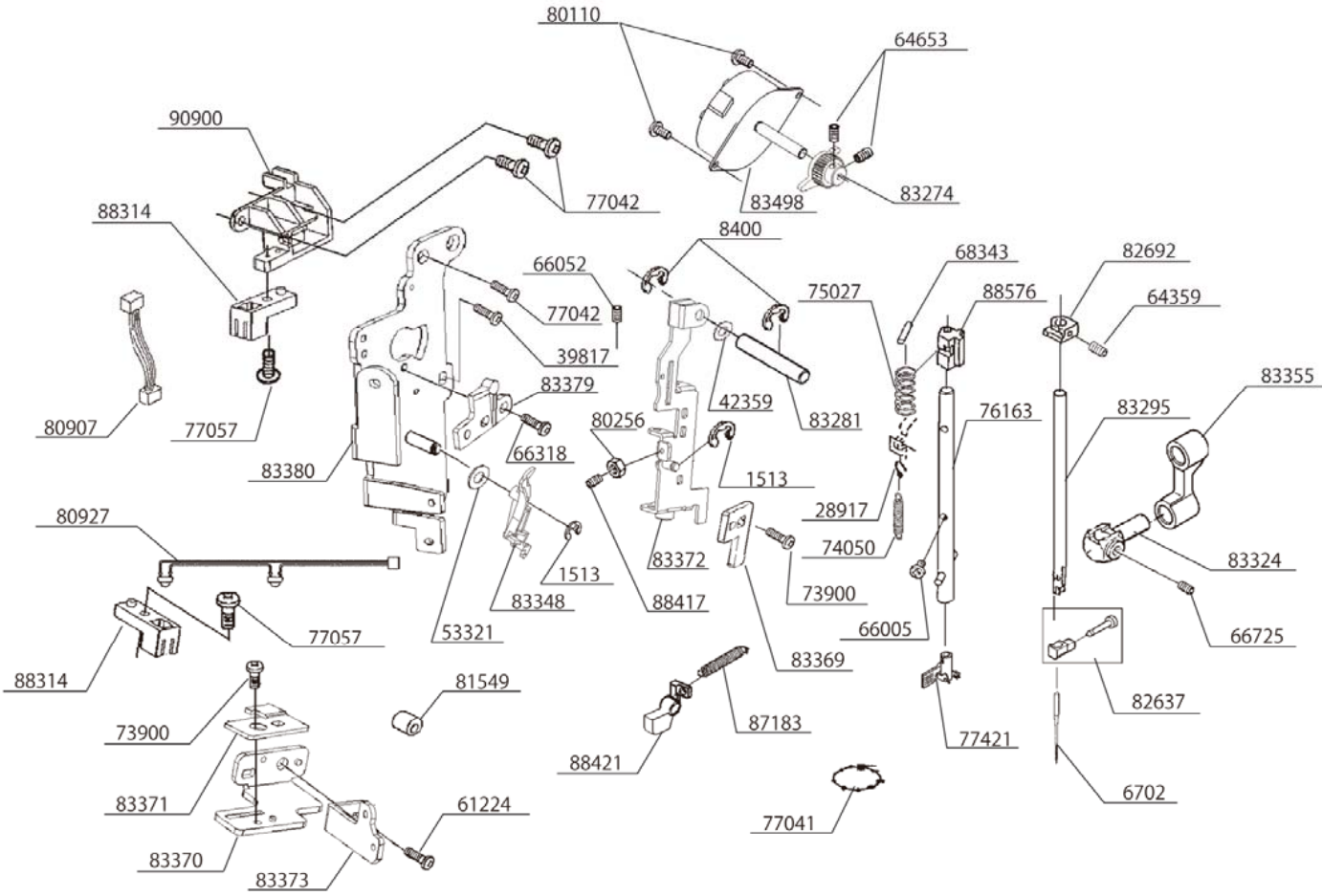


BUYER'S MODEL NO.	SECTION	PAGE	REVISION	REMARKS	DESCRIPTION
BUYER'S MODEL NAME	596	2			1 10963 E6 CLIP-ON-WASHER
FACTORY MODEL	HE596E0				2 61222 M4 PHILIPS SCREW
ORIGINAL ISSUE	JULY, 2014		SERIAL NO.		3 73900 M3 PHILIPS SCREW
					4 76317 M3 PHILIPS SCREW

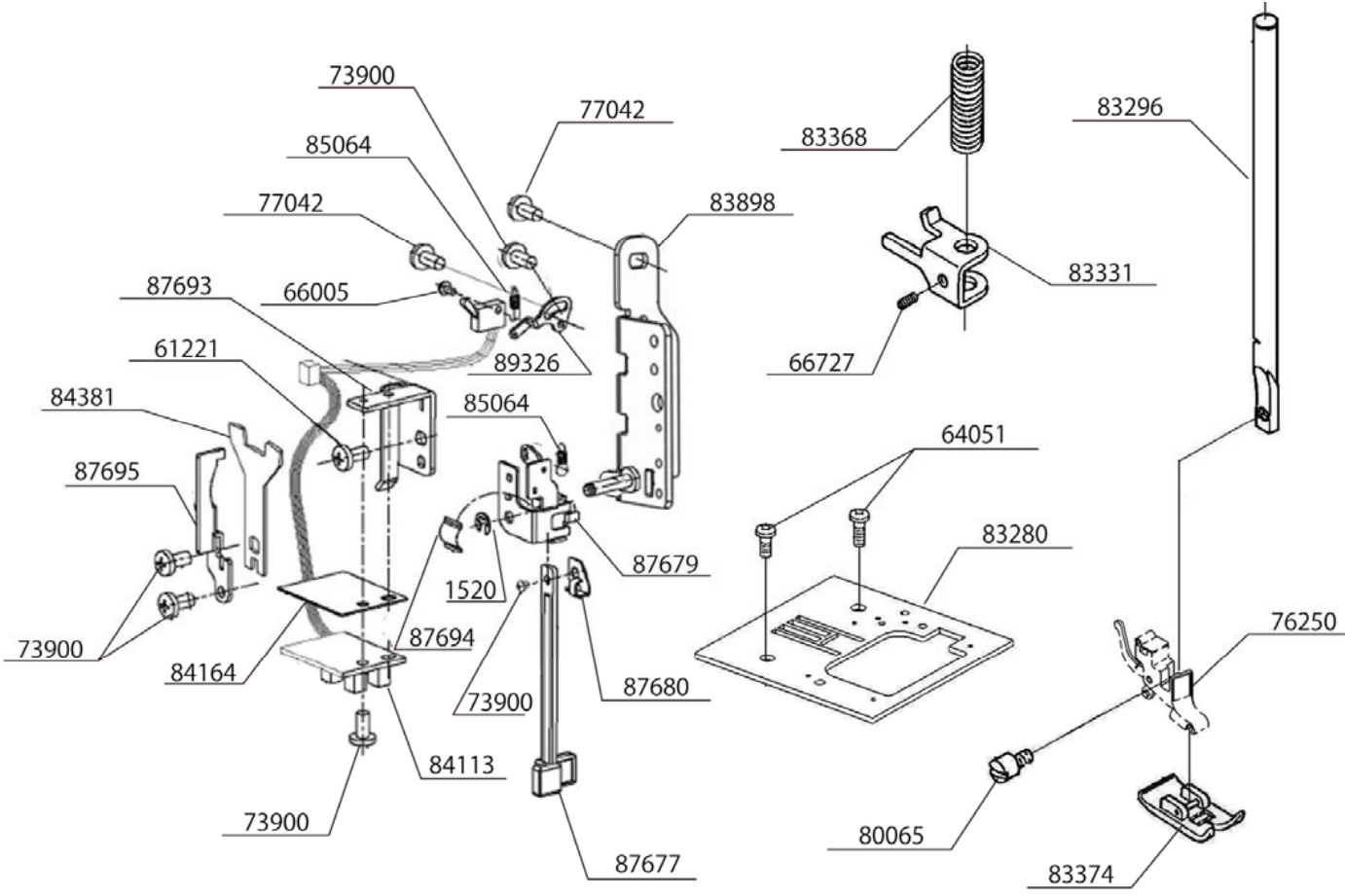


5	77042	M4 PHILLIPS SCREW
6	80912	SWITCH HARNESS
7	80915	PHOTO SENSOR CIRCUIT BOARD
8	83272	BOBBIN WINDER BRACKET
9	83322	BRACKET
10	83337	BOBBIN WINDER ASSY
11	85274	M2 SCREW
12	87182	TORSION SPRING
13	87242	INSULATING SHEET
14	88514	BOBBIN WINDER BASE

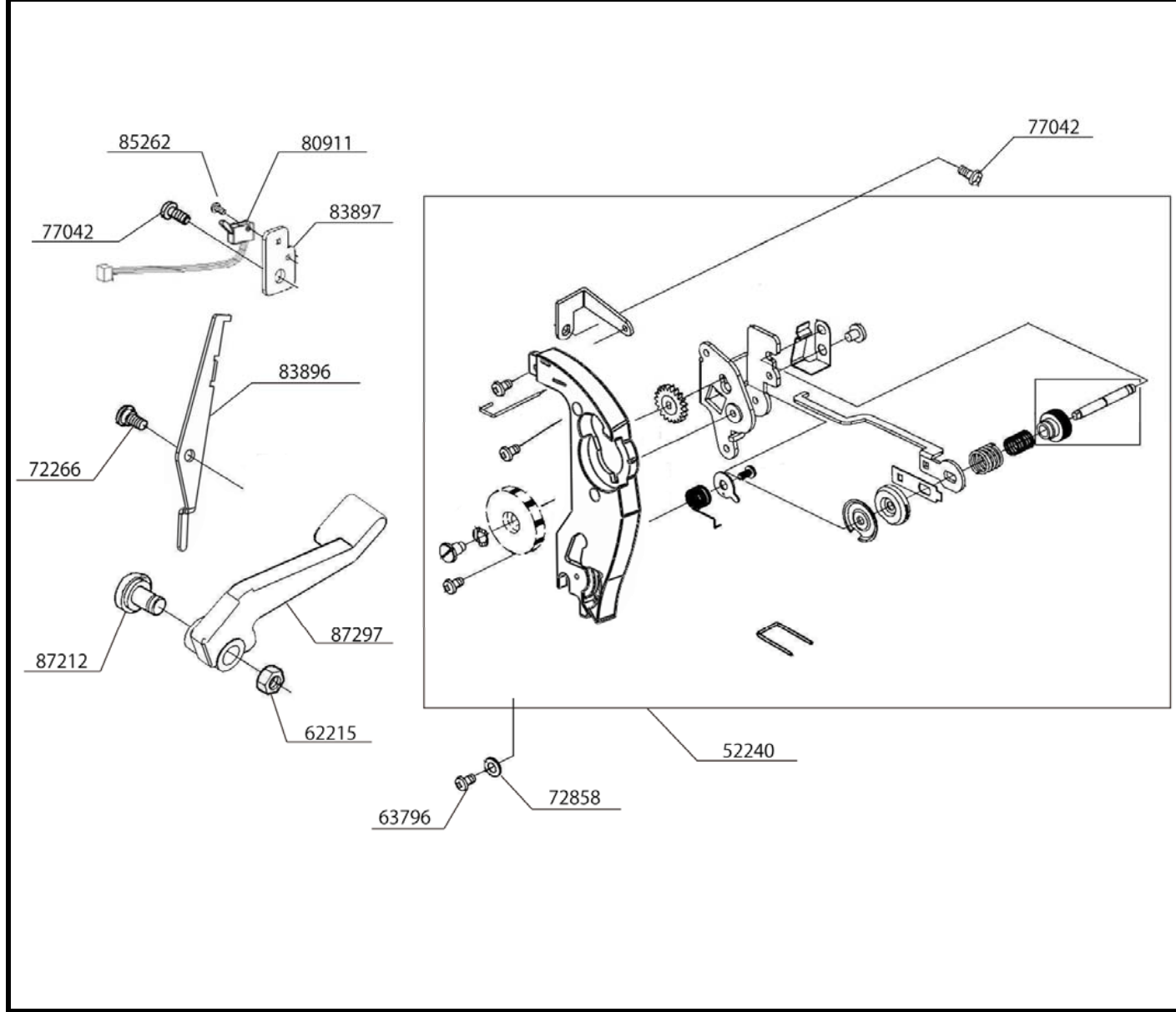
BUYER'S MODEL NO.	SECTION	PAGE	REVISION	REMARKS		DESCRIPTION
BUYER'S MODEL NAME	596	3			1	1513 E4 CLIP-ON-WASHER
FACTORY MODEL	HE596E0				2	6702 NEEDLE
ORIGINAL ISSUE	JULY, 2014		SERIAL NO.		3	8400 E5 CLIP-ON-WASHER
					4	28917 HOOK FOR SPRING
					5	39817 M4 PHILIPS SCREW
					6	42359 CRINKLE WASHER
					7	53321 THRUST WASHER
					8	61224 M4 PHILIPS SCREW
					9	64359 M4 SCREW
					10	64653 M3 SCREW
					11	66005 M2 PHILIPS SCREW
					12	66052 M4 SCREW
					13	66318 M3 PHILIPS SCREW
					14	66725 M4 SCREW
					15	68343 PIN
					16	73900 M3 PHILIPS SCREW
					17	74050 EXTENSION SPRING
					18	75027 COMPRESSION SPRING
					19	76163 NEEDLE BAR
					20	77041 UNITY FASTENER
					21	77042 M4 PHILLIPS SCREW
					22	77057 M3 PHILIPS SCREW
					23	77421 THREADER ASSEMBLY
					24	80110 M3 PHILIPS SCREW
					25	80256 M3 SCREW
					26	80907 SWITCH HARNESS FOR ZIGZAG
					27	80927 LED LAMP HARNESS
					28	81549 RUBBER RING
					29	82637 NEEDLE CLAMP SET
					30	82692 STOPPER
					31	83274 ZIGZAG DRIVE GEAR
					32	83281 SUPPORT BASE PIN
					33	83295 NEEDLE BAR
					34	83324 NEEDLE BAR CRANK
					35	83348 ZIGZAG GUIDE BLOCK
					36	83355 NEEDLE BAR CRANK
					37	83369 LATCH PLATE
					38	83370 NEEDLE BAR ADJUSTING PLATE
					39	83371 SECURING PLATE
					40	83372 NEEDLE BAR SUPPORT
					41	83373 TENSION GUIDE ADJUSTING PLATE
					42	83379 ZZ CAM LIMITING PLATE
					43	83380 NEEDLE BAR SUPPORT BRACKET
					44	83498 STEP MOTOR
					45	87183 SPRING
					46	88314 LED LIGHT COVER
					47	88417 M3 AR NUT
					48	88421 ECCENTRIC CAM
					49	88576 GUIDE BLOCK
					50	90900 UPPER SHAFT SUPPORT



BUYER'S MODEL NO.	SECTION	PAGE	REVISION	REMARKS	DESCRIPTION
BUYER'S MODEL NAME	596	4			1 1520 E3 CLIP-ON-WASHER
FACTORY MODEL	HE596E0				2 61221 M4 PHILIPS SCREW
ORIGINAL ISSUE	JULY, 2014		SERIAL NO.		3 64051 M4 SCREW
					4 66005 M2 PHILIPS SCREW
					5 66727 M4 SCREW
					6 73900 M3 PHILIPS SCREW
					7 73900 M3 PHILIPS SCREW
					8 76250 PRESSER FOOT HOLDER
					9 77042 M4 PHILLIPS SCREW
					10 80065 #7 SCREW FOR SHANK
					11 83280 NEEDLE PLATE
					12 83296 PRESSER BAR
					13 83331 PRESSURE BAR GUIDE
					14 83368 COMPRESSION SPRING
					15 83374 ZIGZAG PRESSER FOOT
					16 83898 PRESSURE BAR BRACKET
					17 84113 BUTTON HOLE STITCH SENSOR HARNESS
					18 84164 INSULATION SHEET
					19 84381 BH CANTILEVER
					20 85064 EXTENSION SPRING
					21 87677 BH PLATE (A)
					22 87679 BH PLATE (B)
					23 87680 BH PLATE (C)
					24 87693 BRACKET
					25 87694 LEAF SPRING
					26 87695 BH PLATE
					27 89326 SWITCH DOG ADJUSTMENT PLATE

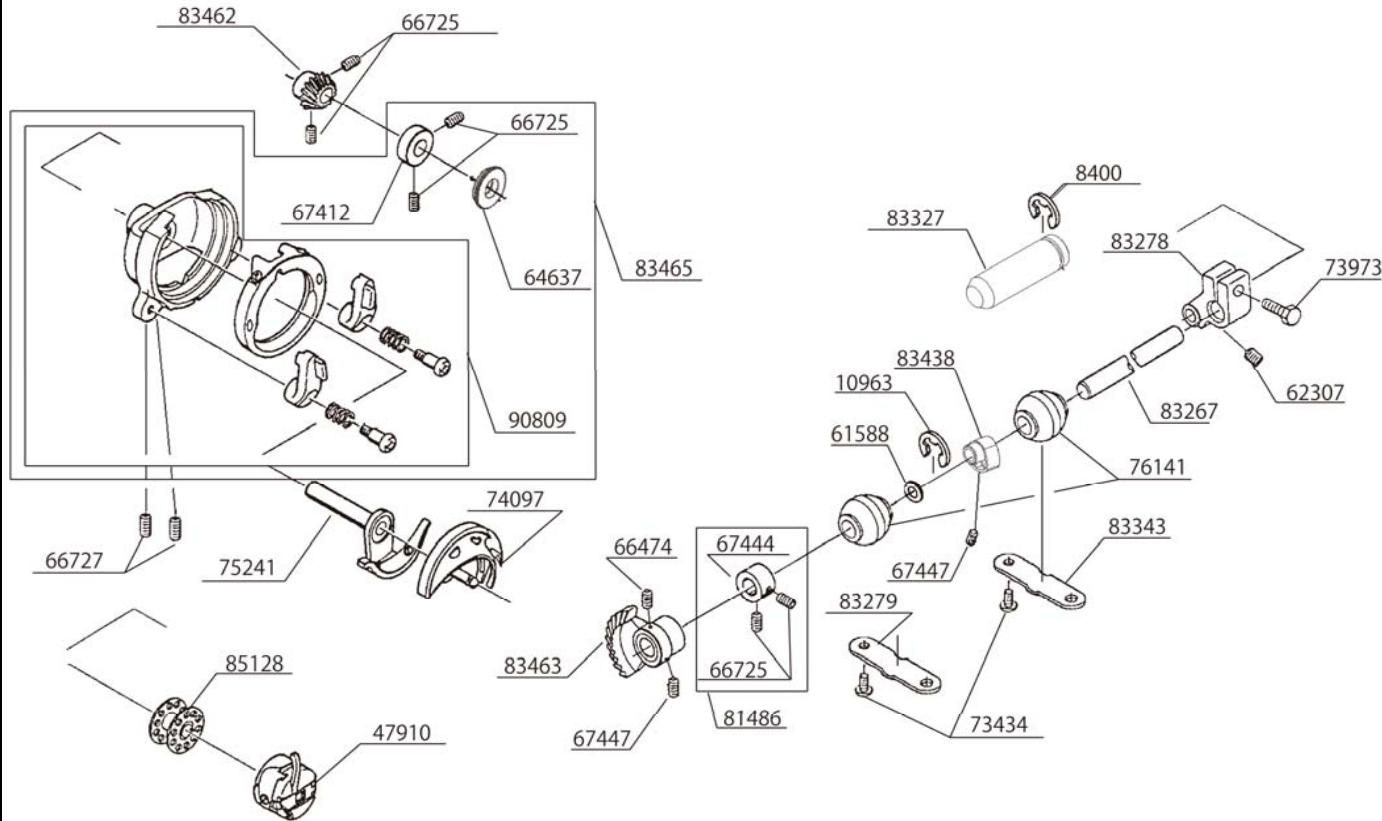


BUYER'S MODEL NO.	SECTION	PAGE	REVISION	REMARKS	DESCRIPTION
BUYER'S MODEL NAME	596	5			1 52240 THREAD GUIDE PLATE UNIT
FACTORY MODEL	HE596E0				2 62215 M4 NUT
ORIGINAL ISSUE	JULY, 2014		SERIAL NO.		3 63796 M3 SCREW
					4 72266 M4 STUD SCREW



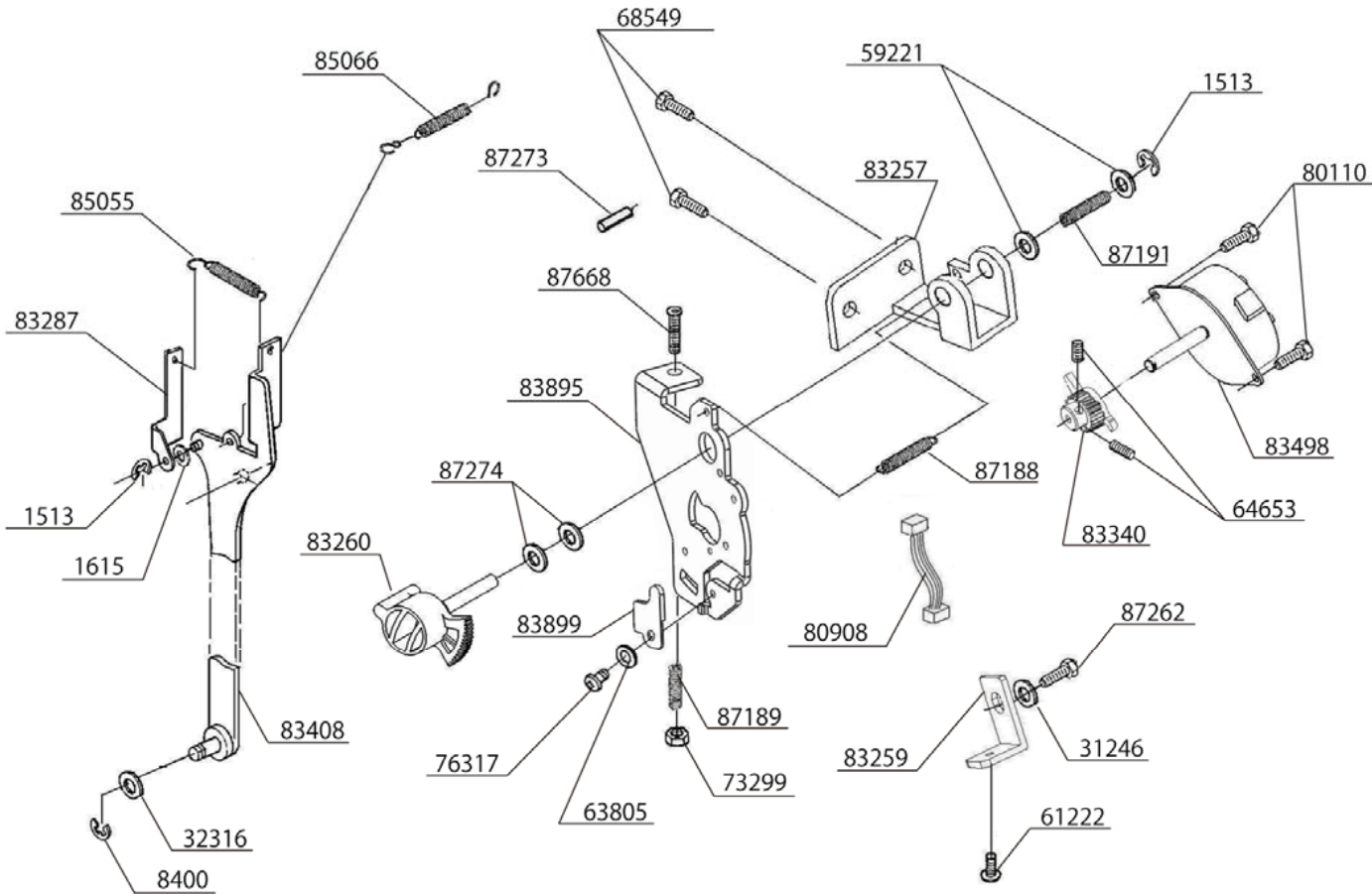
5	72858	WASHER
6	77042	M4 PHILLIPS SCREW
7	80911	ASSY PL SW LEAD WIRE
8	83896	TENSION RELEASE LEVER
9	83897	PRESSER LIFTER SW BASE
10	85262	M2 PHILIPS SCREW
11	87212	M4 SCREW
12	87297	PRESSURE BAR LIFTER

BUYER'S MODEL NO.	SECTION	PAGE	REVISION	REMARKS	DESCRIPTION
BUYER'S MODEL NAME	596	6			1 8400 E5 CLIP-ON-WASHER
FACTORY MODEL	HE596E0				2 10963 E6 CLIP-ON-WASHER
ORIGINAL ISSUE	JULY, 2014		SERIAL NO.		3 47910 BOBBIN CASE
					4 61588 WASHER
					5 62307 M4 SCREW
					6 64637 THRUST WASHER
					7 66474 M5 SCREW
					8 66725 M4 SCREW
					9 66727 M4 SCREW
					10 67412 COLLAR
					11 67444 COLLAR
					12 67447 M5 SCREW
					13 73434 M4 PHILIPS SCREW
					14 73973 M4 BOLT
					15 74097 SHUTTLE HOOK
					16 75241 SHUTTLE DRIVER
					17 76141 BALL METAL
					18 81486 COLLAR
					19 83267 LOWER SHAFT
					20 83278 LOWER SHAFT ROCKER
					21 83279 SECURING PLATE A
					22 83327 LOWER SHAFT PIN
					23 83343 SECURING PLATE A
					24 83438 FEED-DOG LIFTING CAM
					25 83462 GEAR
					26 83463 BEVEL GEAR
					27 83465 SHUTTLE RACE
					28 85128 BOBBIN

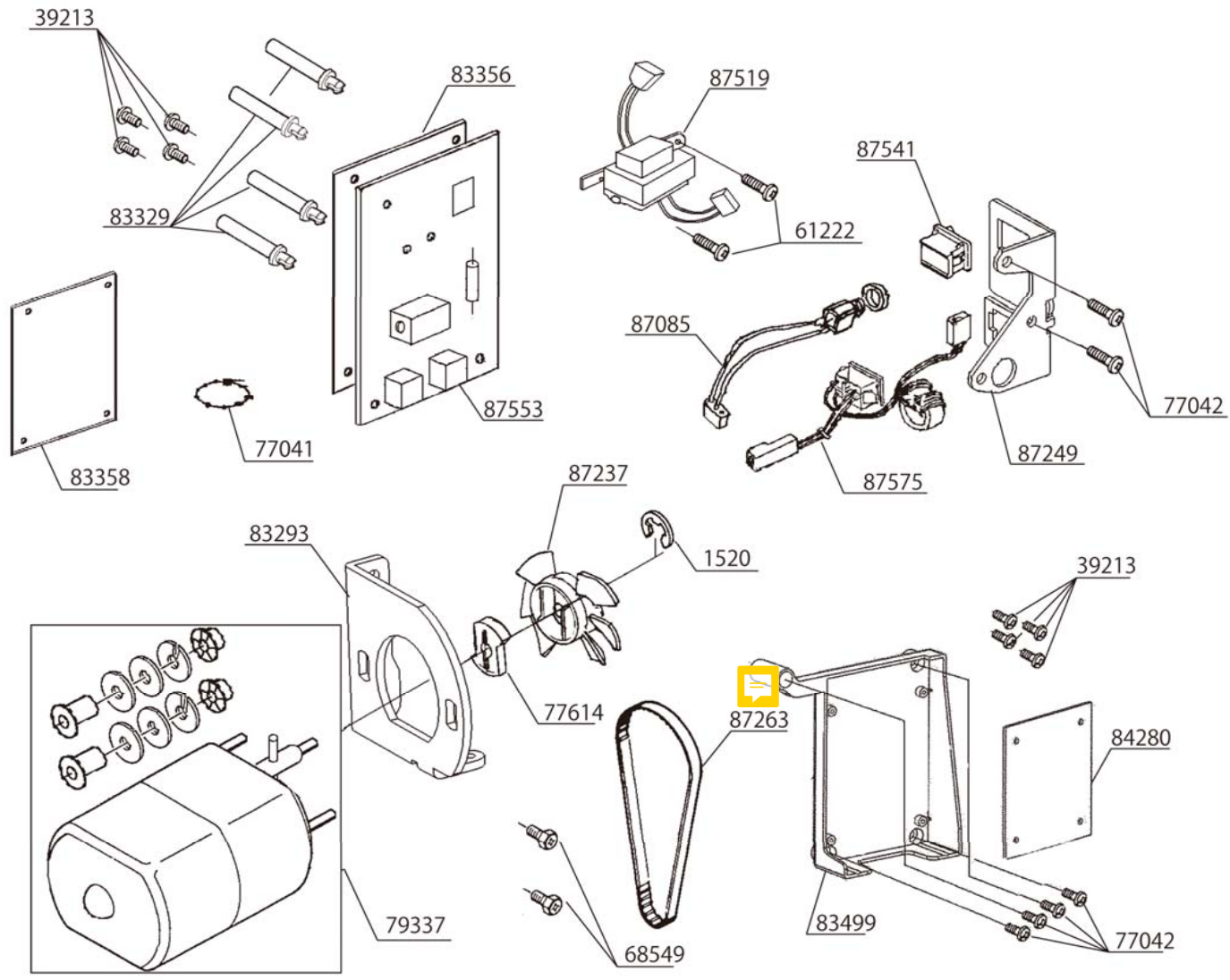


BUYER'S MODEL NO.	SECTION	PAGE	REVISION	REMARKS	DESCRIPTION
BUYER'S MODEL NAME	596	7			1 1513 E4 CLIP-ON-WASHER
FACTORY MODEL	HE596E0				2 1520 E3 CLIP-ON-WASHER
ORIGINAL ISSUE	JULY, 2014		SERIAL NO.		3 39816 M4 SQUARE NUT
					4 39817 M4 PHILIPS SCREW
					5 61224 M4 PHILIPS SCREW
					6 64384 CENTER PIN
					7 73299 M4 TORQUE NUT
					8 73434 M4 PHILIPS SCREW
					9 75186 COMPRESSION SPRING
					10 75190 TORSION SPRING
					11 77035 M4 PHILIPS SCREW
					12 82760 M3 SCREW
					13 83266 FEED REGULATING SHAFT
					14 83268 SHAFT
					15 83269 SECURING PLATE
					16 83270 SHAFT
					17 83276 FEED-DOG LIFTING ARM BRACKET
					18 83277 FEED REGULATING BRACKET
					19 83283 M4 SCREW
					20 83402 HORIZONTAL FEED ARM
					21 83452 FEED-DOG
					22 87183 SPRING
					23 90901 SHAFT SUPPORT
					24 90926 FEED REGULATING BRACKET

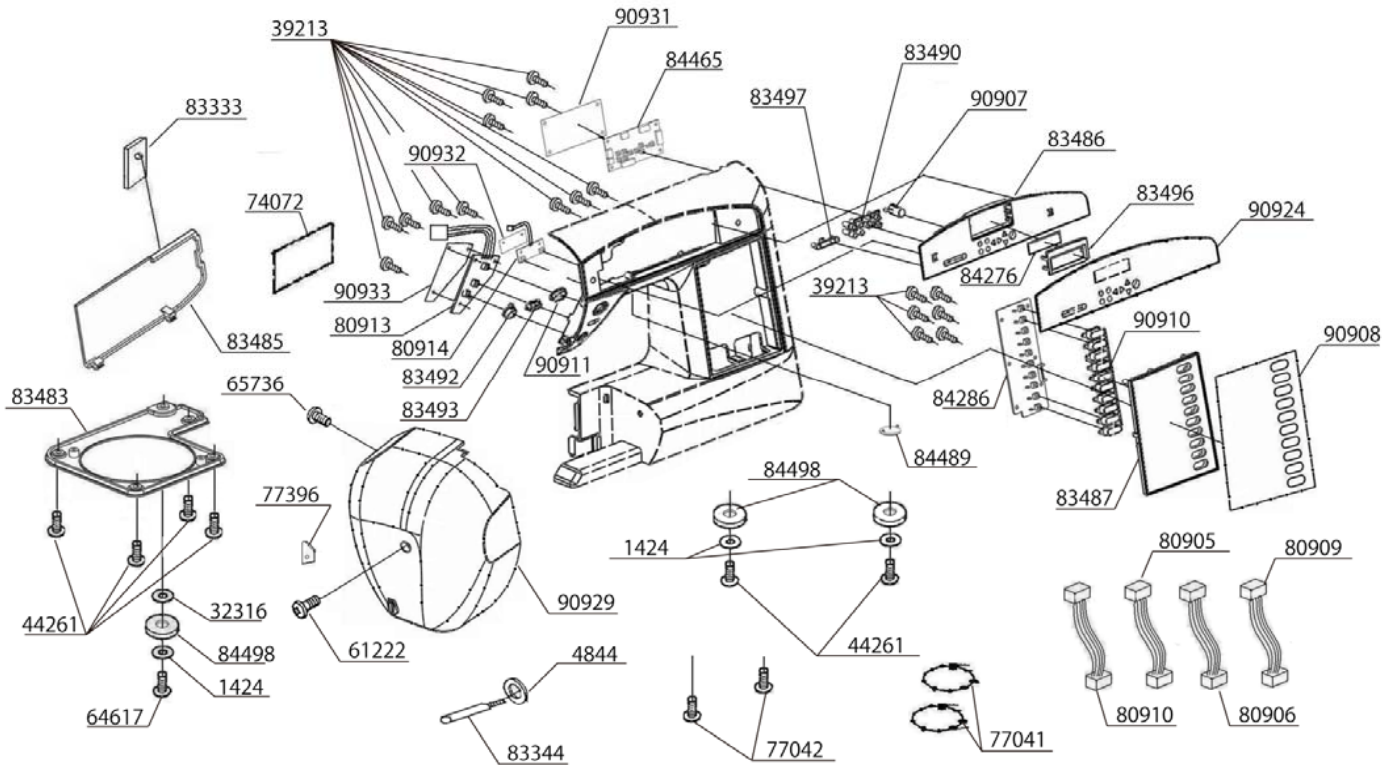
BUYER'S MODEL NO.	SECTION	PAGE	REVISION	REMARKS		DESCRIPTION
BUYER'S MODEL NAME	596	8			1	1513 E4 CLIP-ON-WASHER
FACTORY MODEL	HE596E0				2	1615 WASHER
ORIGINAL ISSUE	JULY, 2014		SERIAL NO.		3	8400 E5 CLIP-ON-WASHER
					4	31246 WASHER
					5	32316 WASHER
				6	59221 WASHER	
				7	61222 M4 PHILIPS SCREW	
				8	63805 WASHER	
				9	64653 M3 SCREW	
				10	68549 SCREW	
				11	73299 M4 TORQUE NUT	
				12	76317 M3 PHILIPS SCREW	
				13	80110 BOLT	
				14	80908 FEED MATERIAL HARNESS	
				15	83257 BRACKET	
				16	83259 BRACKET	
				17	83260 FEED REGULATOR	
				18	83287 PLATE	
				19	83340 PINION GEAR	
				20	83408 FEED REGULATING ROD	
				21	83498 STEP MOTOR	
				22	83895 MOTOR BRACKET	
				23	83899 FEED ORIGIN LOMTED PLATE	
				24	85055 EXTENSION SPRING	
				25	85066 EXTENSION SPRING	
				26	87188 SPRING	
				27	87189 COMPRESSION SPRING	
				28	87191 COMPRESSION SPRING	
				29	87262 M3 CP SCREW	
				30	87273 PIN	
				31	87274 WASHER	
				32	87668 M4 BOLT	



BUYER'S MODEL NO.	SECTION	PAGE	REVISION	REMARKS	DESCRIPTION
BUYER'S MODEL NAME	596	9			1 1520 E3 CLIP-ON-WASHER
FACTORY MODEL	HE596E0				2 39213 M3 SCREW
ORIGINAL ISSUE	JULY, 2014		SERIAL NO.		3 61222 M4 PHILIPS SCREW
					4 68549 SCREW
					5 77041 UNITY FASTENER
					6 77042 M4 PHILLIPS SCREW
					7 77614 GEAR CLUTCH
					8 79337 MAIN MOTOR (230V)
					9 83293 MOTOR BRACKET
					10 83329 SPACER
					11 83356 INSULATING SHEET
					12 83358 INSULATING SHEET
					13 83499 CIRCUIT BOARD BOX
					14 84280 CPU CIRCUIT BOARD
					15 87085 PIN-JACK HARNESS
					16 87237 MOTOR FAN
					17 87249 SWITCH BRACKET
					18 87263 DRIVING BELT
					19 87519 TRANSFORMER (230V)
					20 87541 SWITCH
					21 87553 CIRCUIT BOARD (230V)
					22 87575 INLET HARNESS (230V)

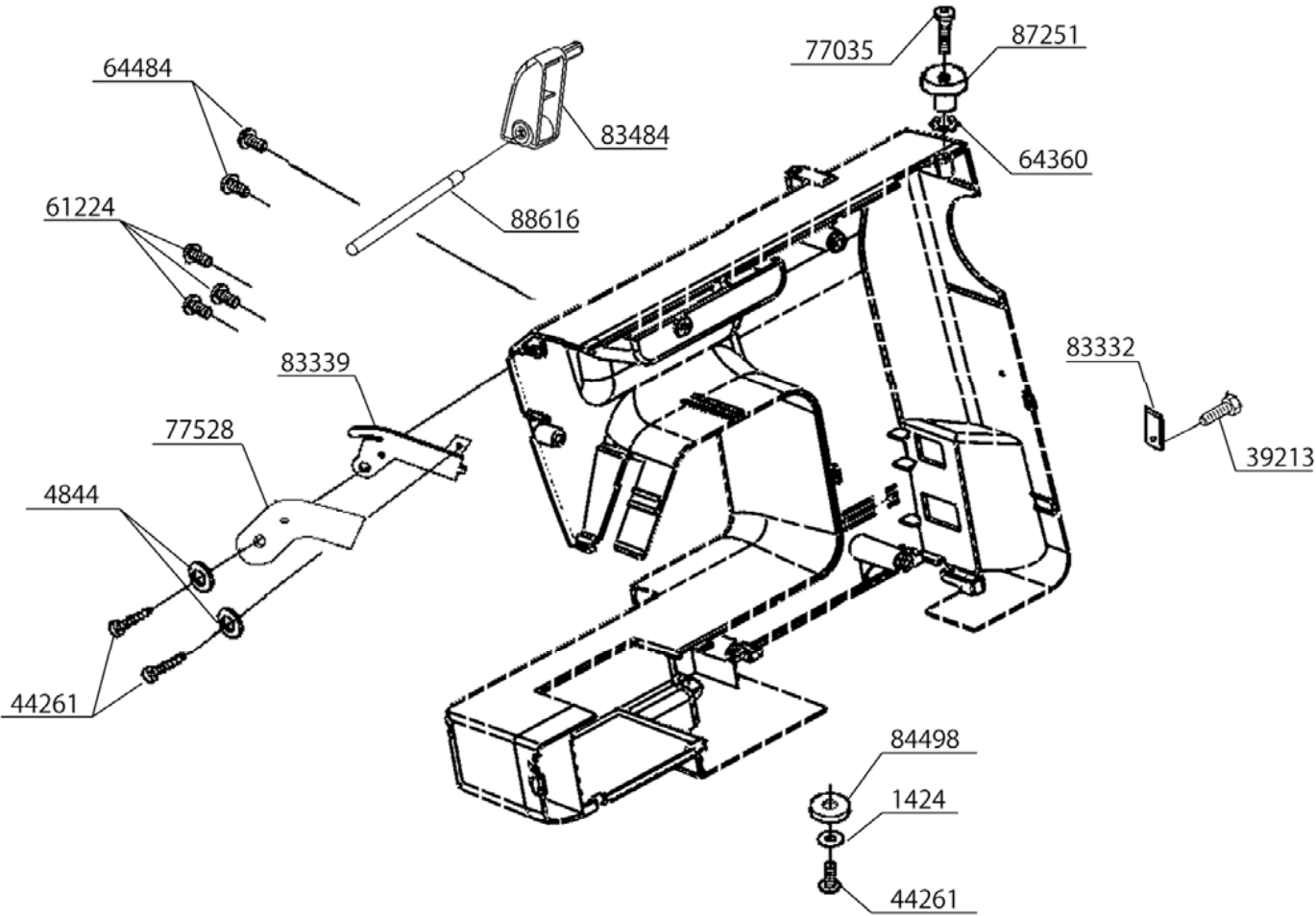


BUYER'S MODEL NO.	SECTION	PAGE	REVISION	REMARKS	DESCRIPTION
BUYER'S MODEL NAME	596	10			1 4844 WASHER
FACTORY MODEL	HE596E0				2 32316 WASHER
ORIGINAL ISSUE	JULY, 2014		SERIAL NO.		3 39213 M3 SCREW
					4 44261 M4 SCREW
					5 61222 M4 PHILIPS SCREW
					6 64617 TAPPING SCREW
					7 65736 M4 PHILIPS SCREW
					8 74072 STICKER
					9 77041 UNITY FASTENER
					10 77042 M4 PHILLIPS SCREW



11	77396	BLADE
12	80905	13P CORD HARNESS
13	80906	8P CORD HARNESS
14	80909	CORD HARNESS
15	80910	CORD HARNESS
16	80913	SW HARNESS
17	80914	SV HARNESS
18	83344	THREAD GUIDE PIN
19	83483	BASE
20	83485	SHUTTLE RACE COVER
21	83486	CONTROL PANEL
22	83487	PATTERN PANEL
23	83490	CONTROL SWITCH
24	83492	S/S SWITCH
25	83493	TWIN NEEDLES SWITCH
26	83496	LCD COVER
27	83497	SPEED SWITCH
28	84276	LCD
29	84286	DIRECT SWITCH
30	84465	CONTROL SWITCH
31	84489	LED WINDOW
32	84498	RUBBER FOOT
33	90907	NEEDLE POSITION BUTTUN
34	90908	PATTERN PANEL SHEET
35	90910	DIRECT BUTTUN
36	90911	REVERSE BUTTUN
37	90924	CONTROL PANEL SHEET
38	90929	FACE COVER
39	90931	CONTROL BOARD SHEET
40	90932	SPEED CONTROL BOARD SHEET
41	90933	SPEED CONTROL BOARD SHEET

BUYER'S MODEL NO.	SECTION	PAGE	REVISION	REMARKS	DESCRIPTION
BUYER'S MODEL NAME	596	11			1 1424 WASHER
FACTORY MODEL	HE596E0				2 4844 WASHER
ORIGINAL ISSUE	JULY, 2014		SERIAL NO.		3 39213 M3 SCREW
					4 44261 M4 SCREW
					5 61224 M4 PHILIPS SCREW
					6 64360 TOOTHED WASHER
					7 64484 TAPPING SCREW
					8 77035 M4 PHILIPS SCREW
					9 77528 SPRING PLATE
					10 83332 SPRING PLATE
					11 83339 TENSION PLATE
					12 83484 SPOOL STAND
					13 84498 RUBBER FOOT
					14 87251 BOBBIN WINDER CAM
					15 88616 SPOOL PIN



BUYER'S MODEL NO.		SECTION	PAGE	REVISION	REMARKS	DESCRIPTION		
BUYER'S MODEL NAME	596		12			1	19340 INSTURCTION BOOK	
FACTORY MODEL	HE596E0					2	52242 DUST COVER	
ORIGINAL ISSUE	JULY, 2014	SERIAL NO.					3	61725 NEEDLE SET
							4	64083 SPOOL PIN
						5	73062 POWER CORD	
						6	76252 ZIPPER FOOT	
						7	77040 SPOOL PIN DISC	
						8	79070 SPOOL PIN CAP	
						9	79455 LARGE SCREW DRIVER	
						10	81495 FOOT CONTROL	
						11	83323 ZZ FOOT	
						12	83350 DARNING PLATE	
						13	83890 BUTTONHOLE FOOT	
						14	85124 SPOOL PIN CAP	
						15	85128 BOBBIN	
						16	85365 BUTTONHOLE OPENER / BRUSH	
						17	86649 BLIND STITCH FOOT	
						18	90902 ACC.BOX	



61725



85128



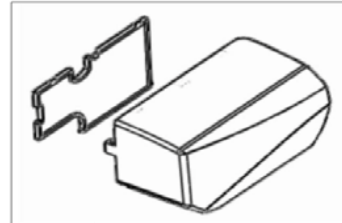
64083



79070



85365



90902



85124



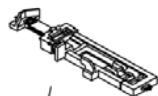
79455



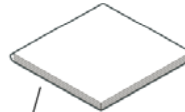
83350



76252



83890



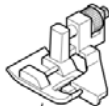
19340



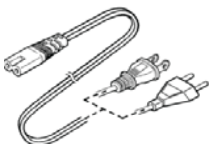
83323



77040



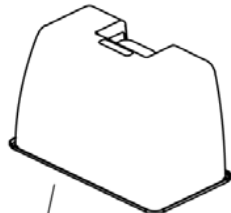
86649



73062



81495



52242