



ERA mod. 2010

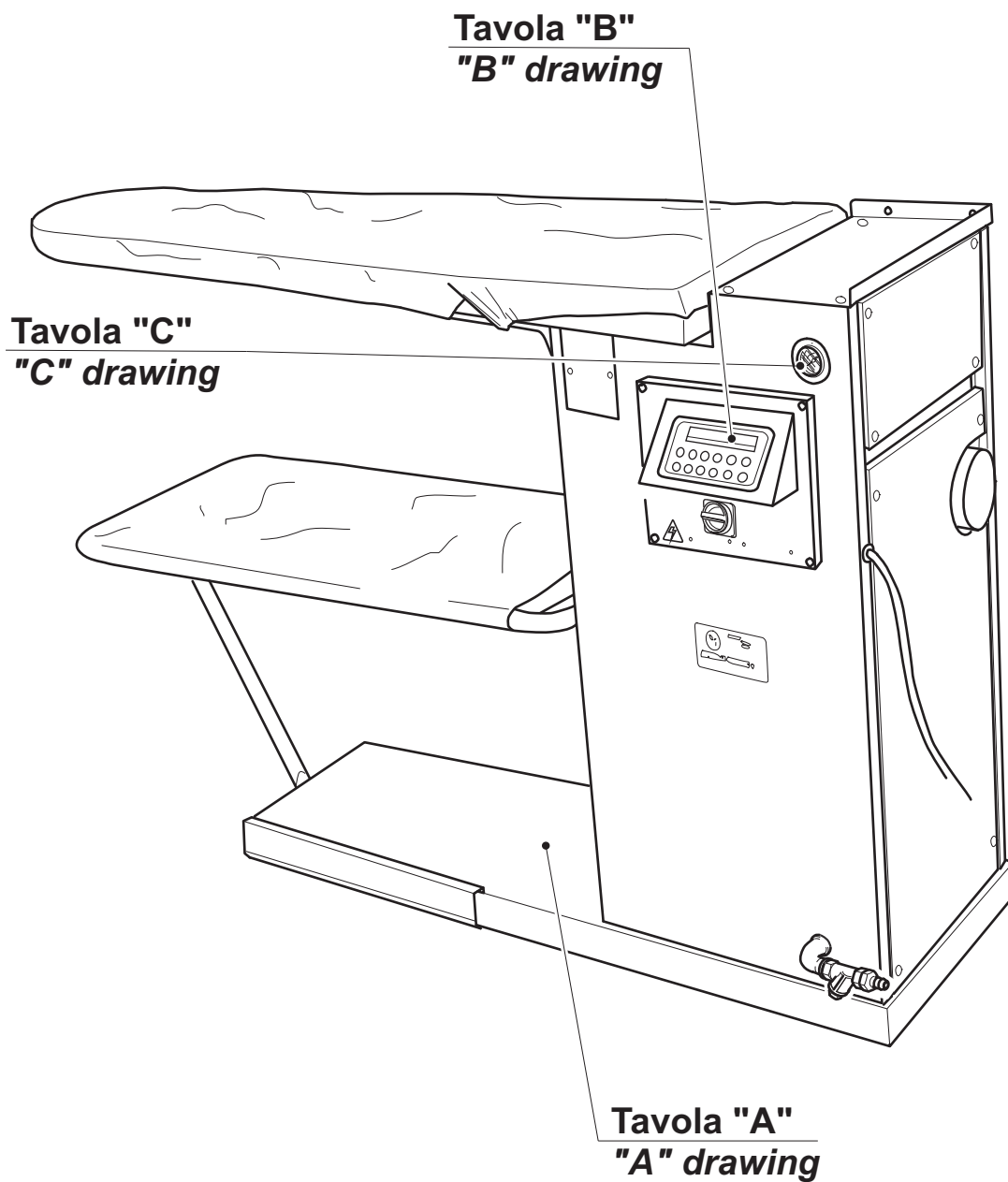




Tavola "A"
"A" drawing

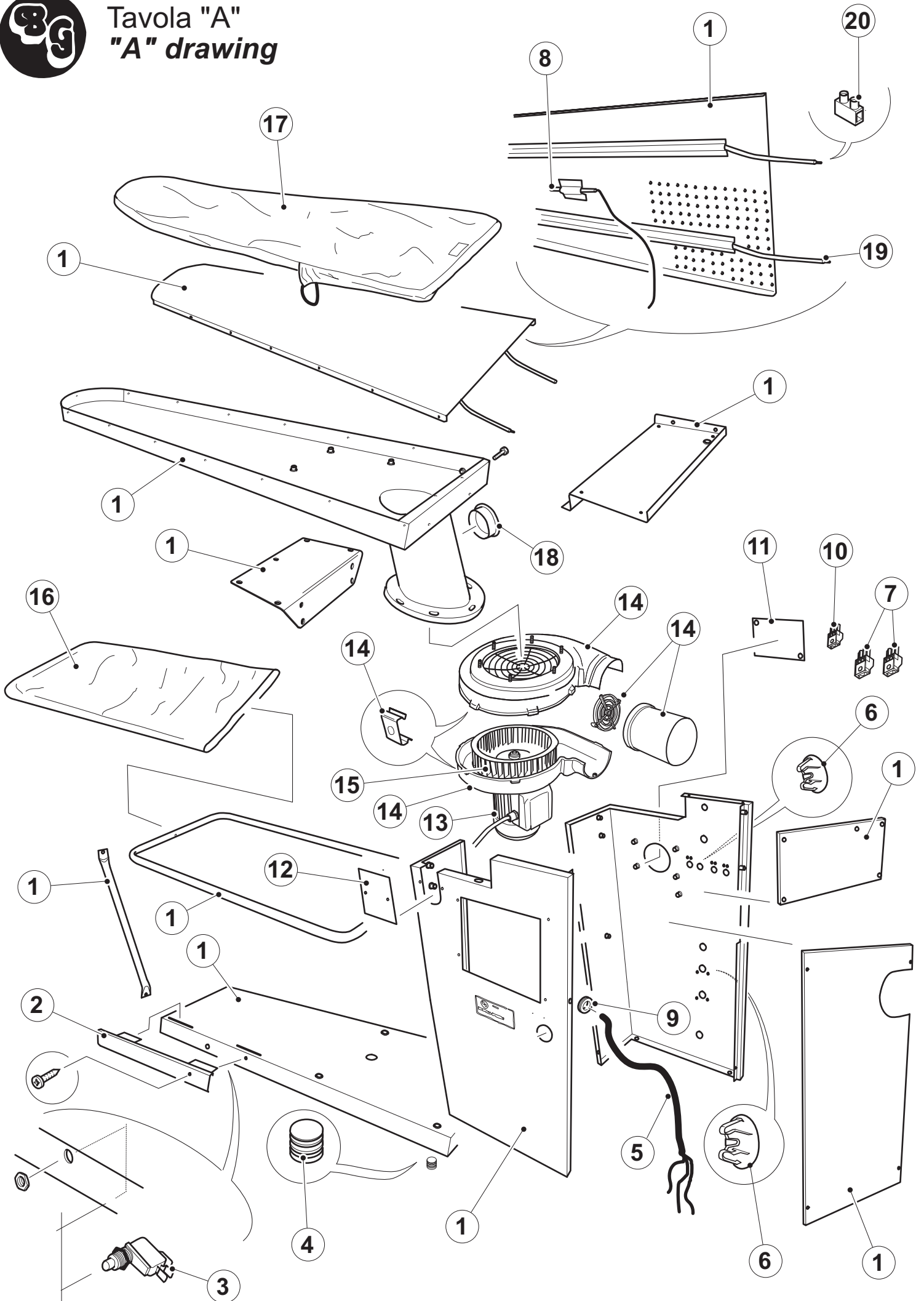




Tavola "B"
"B" drawing

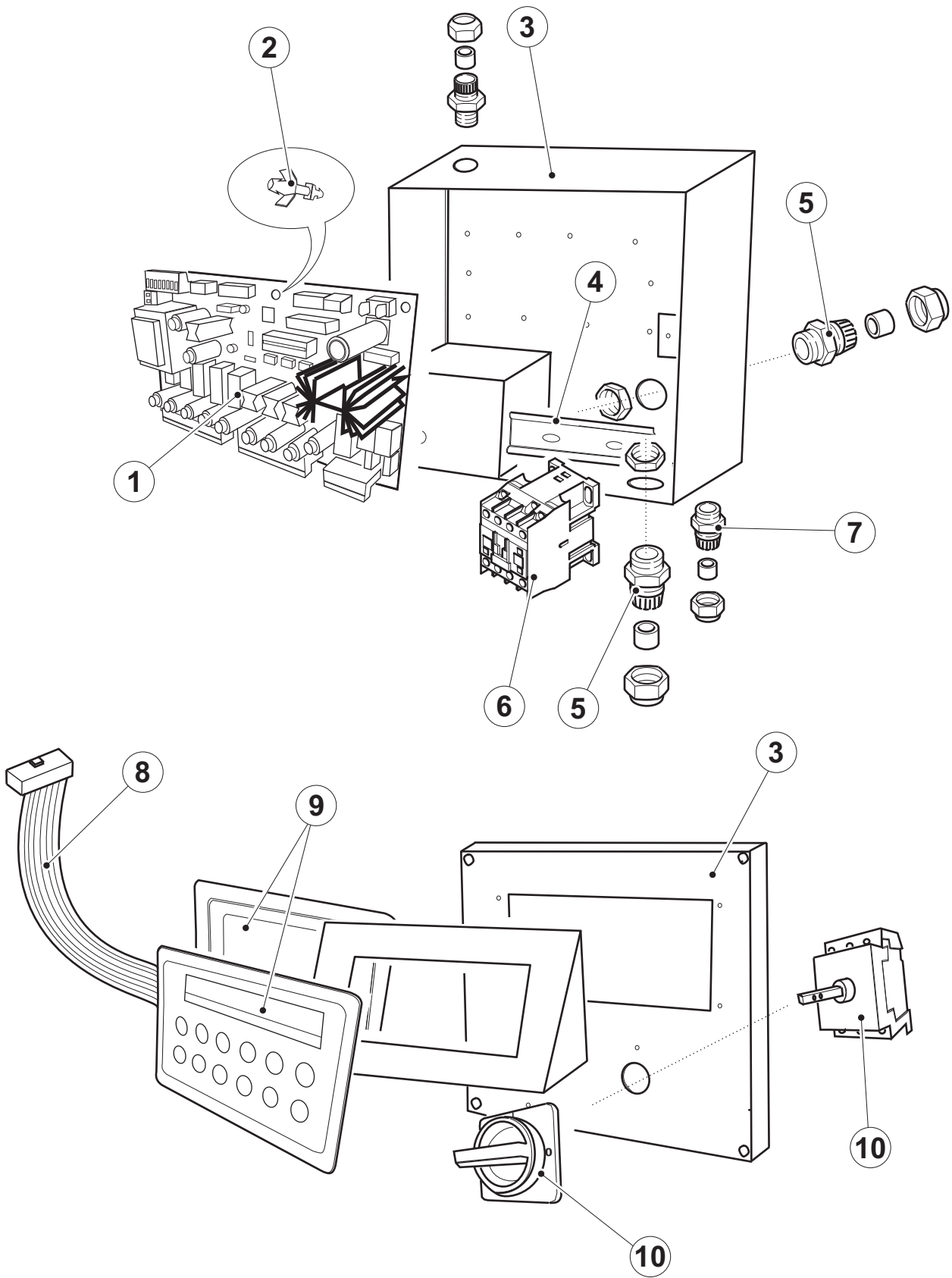
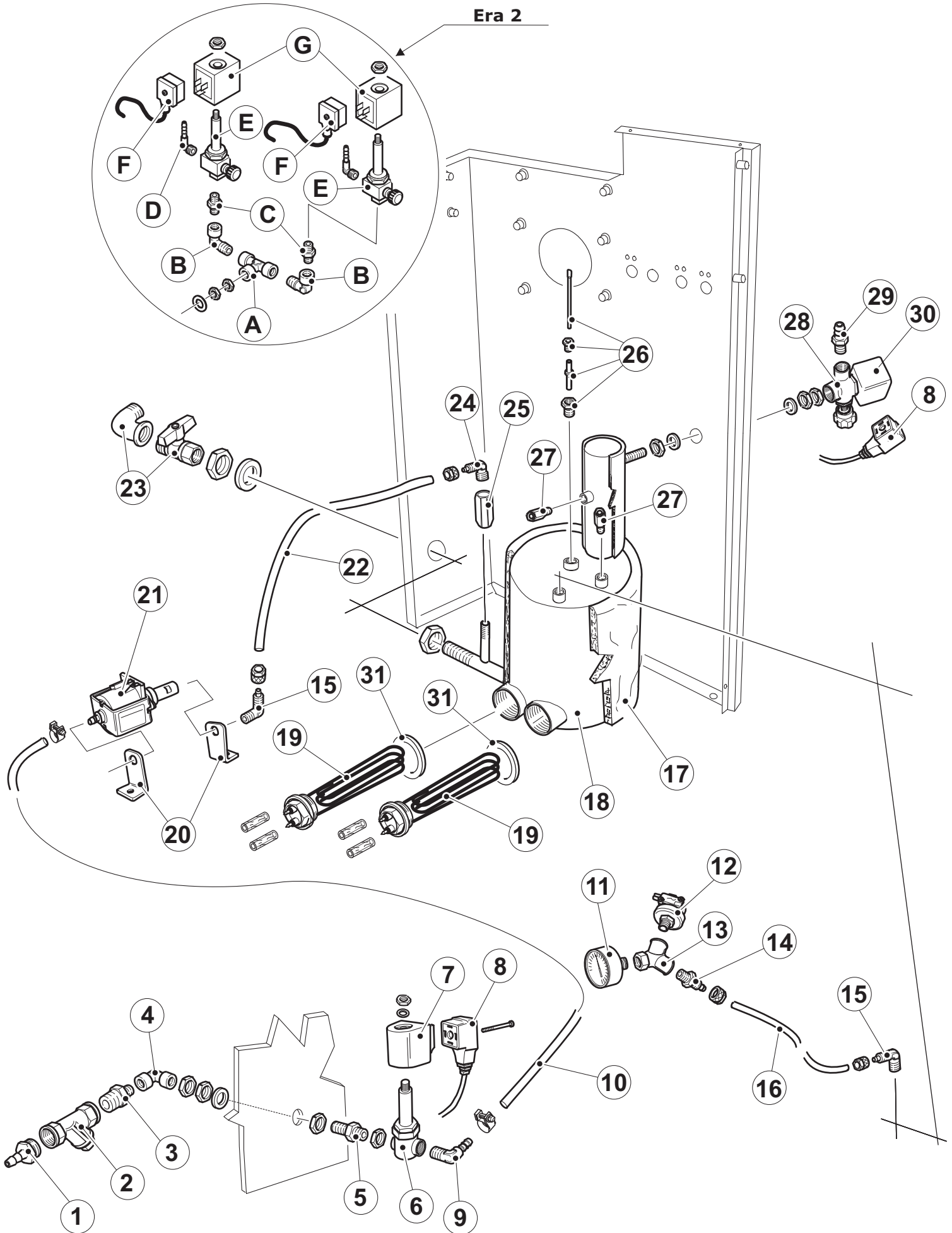




Tavola "C" "C" drawing





DESCRIZIONE COMPONENTI
(DESCRIPTION OF COMPONENTS)
Era mod. 2010

TAVOLA A - "A" DRAWING

POS.	Q.TA'	DESCRIZIONE	DESCRIPTION
1	1	Telaio	Frame / Metal sheet
2	1	Pedale	Pedal
3	1	Micro pedale	Micro-switch for pedal
4	4	Tappi in gomma	Rubber stoppers
5	1	Cavo di alimentazione	Electric cable
6	3	Coprifori	Coverplates
7	2	Prese Mazzeri per ferri	Iron sockets - Mazzeri type
8	1	Sonda temperatura NTC	Temperature probe NTC
9	1	Gommino passacavo	Rubber ring for wire
10	1	Presa Mazzeri per braccio	Arm socket - Mazzeri type
11	1	Copriforo braccio	Coverplate for arm
12	1	Copriforo	Coverplate
13	1	Aspiratore 230 V	Aspirator 230 V
14	1	Chiocciola	Fan cover
15	1	Ventola motore	Motor fan
16	1	Tela portabiancheria	Linen-support cloth
17	1	Prontotop imbottitura tavolo	Board prontotop padding
18	1	Copriforo braccio	Coverplate for arm
19	1	Resistenza piano W 800	Board resistance W 800
20	2	Morsetti resistenze	Clamps for resistances

TAVOLA B - "B" DRAWING

POS.	Q.TA'	DESCRIZIONE	DESCRIPTION
1	1	Scheda elettronica	Electronic card
2	10	Supporti scheda elettronica	Electronic card support
3	1	Telaio	Frame
4	1	Guida DIN	Din guide
5	2	Pressacavo PG 21	Cable press PG21
6	1	Teleruttore caldaia	Boiler remote control switch 16 A
7	1	Pressacavo PG 16	Cable press PG16
8	1	Cavo Flat	Flat cable
9	1	Display	Display
10	1	Interruttore generale	Main switch

TAVOLA C - "C" DRAWING

POS.	Q.TA'	DESCRIZIONE	DESCRIPTION
1	1	Portagomma 1/2"	Hose holder 1/2"
2	1	Filtro 1/2"	Filter 1/2"

3	1	Nipple 1/2"-1/4"	Joint 1/2"-1/4"
POS.	Q.TA'	DESCRIZIONE	DESCRIPTION
4	1	Raccordo curvo 1/4"	Curved joint 1/4"
5	1	Nipple 1/4" lungo	Long connection joint 1/4"
6	1	Gruppo valvola entrata acqua	Valve group for water entrance
7	1	Bobina valvola acqua	Coil for feedwater solenoid valve
8	2	Connettori	Connectors for solenoid valves
9	1	Portagomma 1/4" curvo	Curved hose holder 1/4"
10	1	Tubo gomma per pompa	Rubber pipe for pump
11	1	Manometro 1/8"	Manometer 1/8"
12	1	Pressostato 1/8"	Pressure switch 1/8"
13	1	Raccordo a "Y" 1/8"	Y-joint 1/8"
14	1	Raccordo 1/8" Ø6	Joint 1/8" Ø6
15	2	Raccordo curvo 1/8" Ø6	Curved joint 1/8" Ø6
16	1	Tubo teflon per manometro	Teflon pipe for manometer
17	1	Rivestimento caldaia	Boiler cover
18	1	Caldaia	Boiler
19	2	Resistenze 2000 W	Resistances 2000 W
20	2	Supporti elettropompa	Electro-pump supports
21	1	Elettropompa ULKA EX7	Electro-pump ULKA EX7
22	1	Tubo teflon per caldaia	Teflon pipe for boiler
23	1	Rubinetto di scarico 1/2"	Exhaust tap 1/2"
24	1	Raccordo curvo 1/4" Ø6	Curved joints 1/4" Ø6
25	1	Valvola di ritegno 1/4"	Check valve 1/4"
26	1	Sonda	Probe
27	2	Valvole di sicurezza 1/8"- 5 bar	Safety valves 1/8"- 5 Bar
28	1	Gruppo elettrovalvola	Valve group
29	1	Portagomma 1/4" M.	Hose holder 1/4"
30	1	Bobina	Coil
31	2	Guarnizioni per resistenze	Gaskets for resistances
A	1	Raccordo a "T" 1/4"	T-joint 1/4"
B	2	Raccordi curvi 1/4" M-F	Curved joints 1/4"
C	2	Nipples 1/4"	Connection joints 1/4"
D	2	Portagomma 1/4" curvo	Hose holder 1/4"
E	2	Gruppi elettrovalvola	Valve groups
F	2	Connettori	Connectors for solenoid valves
G	2	Bobine	Coils