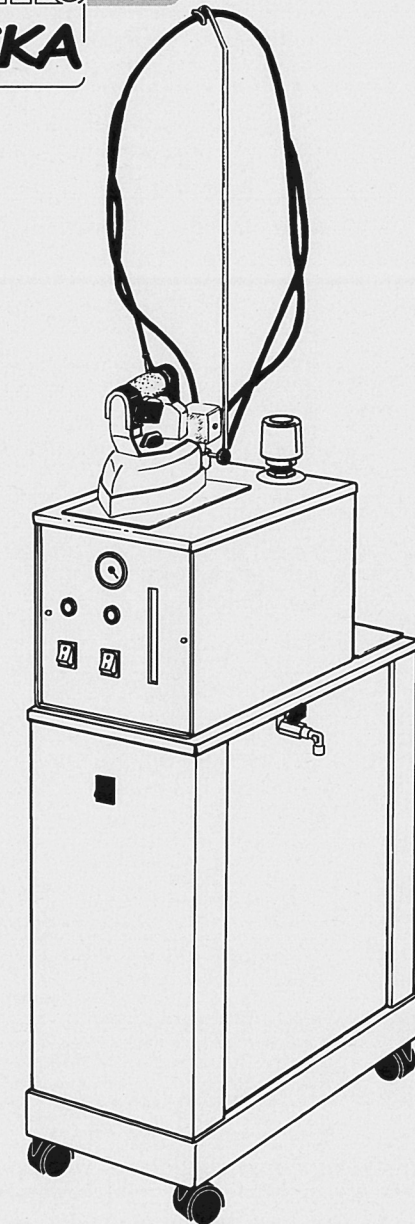


PLEASE READ CAREFULLY

modello
PRATIKA

SERVICE AND USE INSTRUCTION MANUAL



Data, descriptions and drawings in this manual are not binding.
The company reserves the right to make any change if necessary.

CO.M.E.L. SRL

COSTR. ELETTROMECCANICHE MACCHINE DA STIRO

61045 PERGOLA (PS) - ITALIA
VIA DELL' INDUSTRIA, 40
ZONA INDUSTRIALE SUD

TEL. 0721/735110 - 735111
FAX 0721/735114
P.O. Box 62 P.IVA 0045639 041 8

IN0414






cod. - A00771

MADE IN ITALY
Comel

INSTRUCTION MANUAL

A T T E N T I O N

Please read carefully the overall instruction manual before carrying out any operation on the unit, in order to protect the operator and avoid any damage.

SIGNS ON THE UNIT		-ATTENTION- HEAT SOURCE-THERE MAY BE HIGH TEMPERATURES
		STOP TENSION BEFORE CARRYING OUT ANY OPERATION ON THE UNIT
		EARTH
WARNING SIGNS		DO NOT REMOVE ANY SAFETY DEVICE
		DO NOT CARRY OUT ANY OPERATION ON THE UNIT WHEN IT IS ON

SAFETY WARNINGS :

*Before using the unit, please verify that the mains voltage corresponds with that indicated in the unit plate. The unit must be plugged into mains and sockets duly earthed. *If the unit plug and the socket do not match, please have the plug replaced with a right one by qualified technicians . *The unit is electrically safe under the condition that it is duly earthed, as provided for by the current electrical safety rules. The manufacturer cannot be held responsible for any damage arising from the mains

being badly earthed. If in doubt, please contact a qualified technician. * After unpacking the unit, please make sure that it is untouched. If in doubt, do not operate the unit in any case and contact a qualified technician. * Please make sure that all packaging of the unit (plastic bags, expanded polystyrene, ...) is away from children and carefully disposed of, since it may be dangerous. * Please do not use adaptors and/or extensions. If needed, only simple adaptors and extensions complying with the current safety rules must be used. However, please be careful and do not exceed the power limit marked on the adaptor. *The manufacturer cannot be held responsible for any damage arising from improper, wrong and unreasonable use of the unit and from careless service carried out by unqualified technicians. *Do not touch the unit with damp, wet hands or feet. Do not immerse the unit into water. * Do not operate the unit in bathrooms or any damp environment.* Do not pull the electric flex or the whole unit with damp, wet hands or feet. * Do not let children or the incompetent use the unit, unless under adults' control. * Do not leave the unit unattended when it is on, since that may turn dangerous. * Please make sure that the unit is turned off and disconnected from the power point before cleaning it out or carrying out any service on it.* Should the unit fail or badly work, please switch it off and never break it open. If service is needed, please contact service centres authorised by the manufacturer and ask for original spare parts to be used. Whether these warnings are disregarded, the safety of the unit may be undermined. * The user is kindly requested never to replace the electric flex of the unit. When it is damaged or needs to be replaced, please contact service centres authorised by the manufacturer. * Please always disconnect the unit from the power point when it is not used.

HOW TO OPERATE THE UNIT:

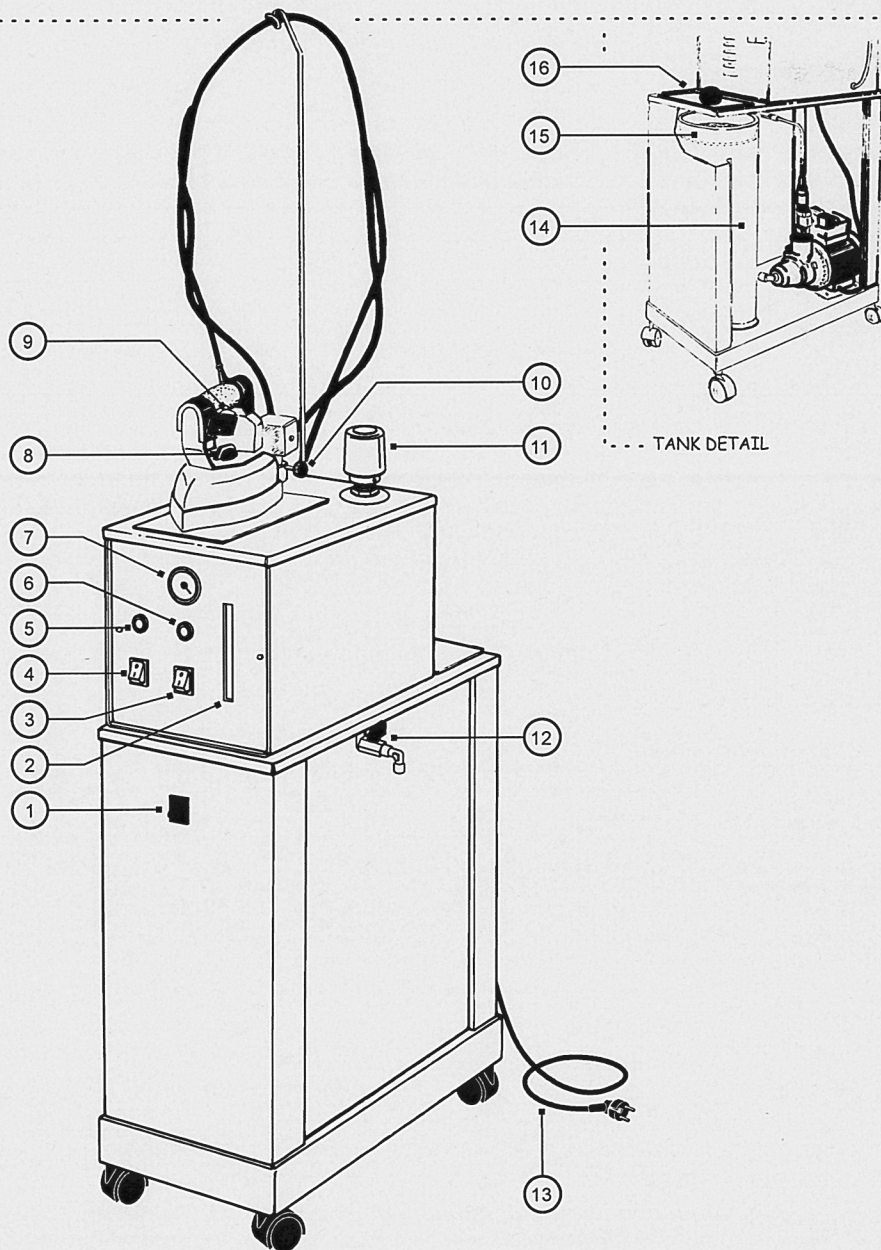
"This unit has been designed to iron any kind of fabric in a professional way by means of a steady steam system"

INSTRUCTIONS

- Unscrew the filling top (11) and fill the boiler with standard water. Screw the top again mildly. As an alternative, fill the tank (14) and press the pump switch(1).
- Connect the plug (13) to a 220 V, earthed power point.
- Press the boiler on/off switch (3) to have the boiler come on, press the iron on/off switch (4) to have the iron come on.
- Adjust the iron thermostat (8) between linen and cotton position (linen position is recommended when dry steam is needed, whereas cotton position is when damp steam is needed).
- Before any ironing, please wait for the steam warning light (6) to belit. Should this warning light go off while you iron, please go on with your work, the warning light will come on automatically as soon as the steam has been available again.
- Press the iron micro switch (red push-button) (9) to have steam coming out from the iron.
- Use the steam control (10) to adjust the steam coming out from the iron.

WARNINGS AND SUGGESTIONS

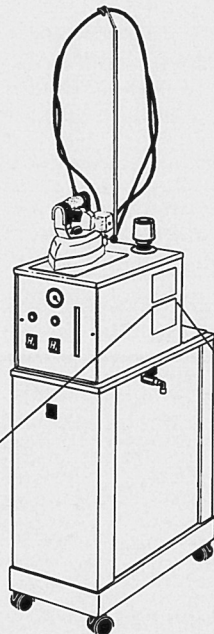
- Never overfill the boiler.
- Never unscrew the filling top (11) as long as the boiler is under pressure.
- Before un screwing the filling top (11) or drain the boiler by means of the drain tap (12), make sure that no steam is still inside the boiler.
- Never leave the boiler unattended for long when it is connected.
- When the steam is definitely over, disconnected the unit from the power point. Please wait for 20 minutes and then unscrew the filling top (11) very carefully. Refill the boiler and repeat the above instructions.



REFERENCES

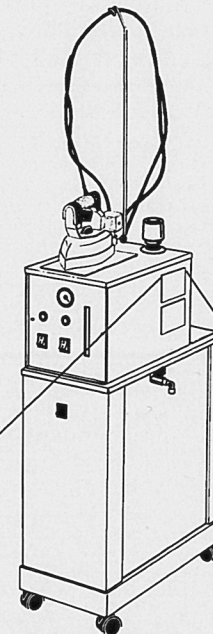
1__PUMP SWITCH	6__STEAM WARNING LIGHT	12__BOILER DRAIN TAP
2__WATER SIGHT GLASS	7__PRESSURE GAUGE	13__FLEX
3__BOILER ON/OFF SWITCH	8__IRON THERMOSTAT	14__WATER TANK
4__IRON ON/OFF SWITCH	9__IRON MICRO SWITCH	15__TANK FILTER
5__WATER WARNING LIGHT	10__STEAM CONTROL	16__TANK LID
	11__FILLING TOP	

UNIT IDENTIFICATION PLATE



DITTA COSTRUTTRICE - Comel S.r.l. - PERGOLA (PS) - ITALY	
CE	MODELLO - Generatore di vapore PRATIKA NUMERO DI SERIE.....
220 - 240 V - 50 Hz _____ A	
POTENZA ELETTRICA RESISTENZA CALDAIA	1500 W
POTENZA ELETTRICA RESISTENZA FERRO	800 W
POTENZA ELETTRICA MOTORE POMPA	W
CAPACITA' CALDAIA	5 lt.
PRESSIONE ESERCIZIO	2,5 bar
PESO NETTO SENZA CARRELLO	Kg
PESO NETTO CON CARRELLO	Kg
DIMENSIONI INGOMBRO SENZA CARRELLO (.....X.....X.....) cm.	
DIMENSIONI INGOMBRO CON CARRELLO (.....X.....X.....) cm.	

BOILER IDENTIFICATION PLATE



IDENTIFICAZIONE CALDAIA

DITTA COSTRUTTRICE Comel S.r.l. - 61045 PERGOLA (PU) - ITALY VIA DELL'INDUSTRIA 40 - Tel.0721 735110/11	
MODELLO GENERATORE	L5 CE
ANNO DI FABBRICAZIONE _____	
NUMERO DI SERIE CALDAIA	_____
220 v 8,6 A 2P+T ^{50Hz}	
POTENZA ELETTRICA RESISTENZA CALDAIA	1,9 kW
CAPACITA' CALDAIA	5 Lt
PRESSIONE ESERCIZIO	2,5 Bar TEMPERATURA ESERCIZIO 138 °C
PRESSIONE TARATURA V.D.S.	4,5 Bar
PROVA IDRAULICA: PRESSIONE	6,44 Bar DATA _____
PESO NETTO CALDAIA	7,7 Kg
GRUPPO DI PRODOTTI	ACQUA
UTILIZZO PREVISTO	PRODUZIONE VAPORE PER GLI USI CONSENTITI

MANUFACTURER'S
SPARE PARTS

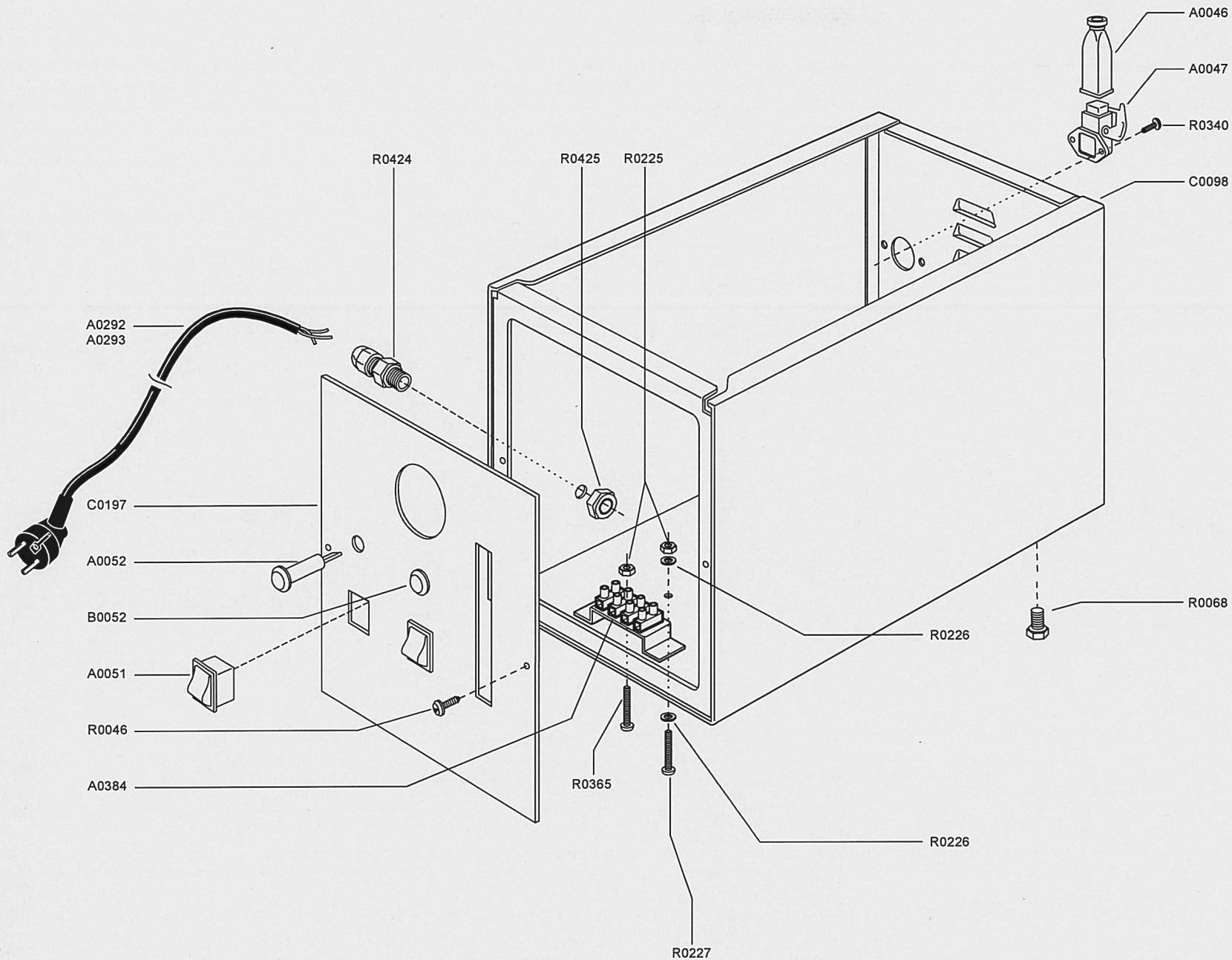
If service is needed, please contact service centres authorized

by the manufacturer and ask for original spare parts to be used.

Whether this warning is disregarded, the safety of the unit

may be undermined.





REF.	DESCRIPTION	Q*
A0046	PLUG	1
A0047	SOCKET	1
A0051	ON/OFF SWITCH	1
A0052	RED WARNING LIGHT	1
A0292	FLEX WITH SCHUKO PLUG	1
A0293	FLEX WITH ITALIAN PLUG	1
A0384	JUNCTION BOX	1
B0052	GREEN WARNING LIGHT	1
C0098	CASE	1
C0197	SWITCHBOARD	1
R0046	SCREW	2
R0068	SCREW	4
R0225	NUT	2
R0226	WASHER	2
R0227	SCREW	1
R0340	SCREW	2
R0365	SCREW	1
R0424	FLEX TIGHTENING RING	1
R0425	NUT FOR FLEX TIGHTENING RING	1

*PIECES PER UNIT (IN THIS VIEW)

N.B. The above view is intended as a pure indication. It serves to show all the component parts of the unit to make any service easier.

Comel R I C A M B I

CASE DETAILED VIEW

COMPLETE PRATIKA (STANDARD VERSION)

10/10/2008

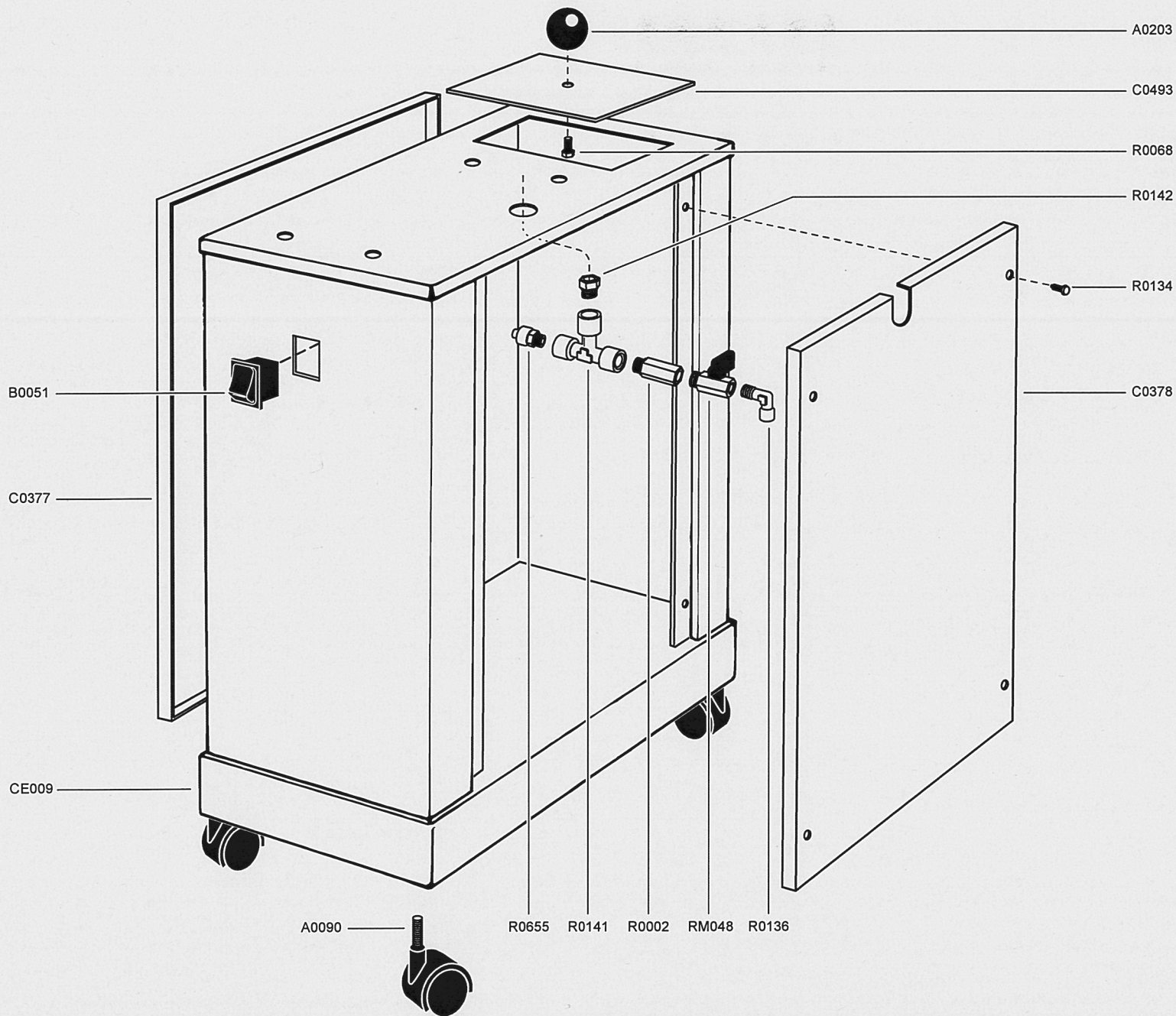
ITAV-0962

DESCRIPTION

TYPE

LAST CHANGE DATE

VIEW REF.



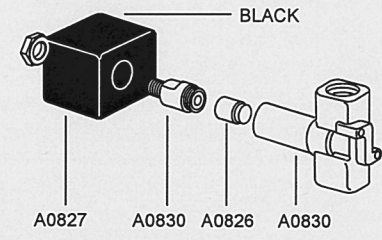
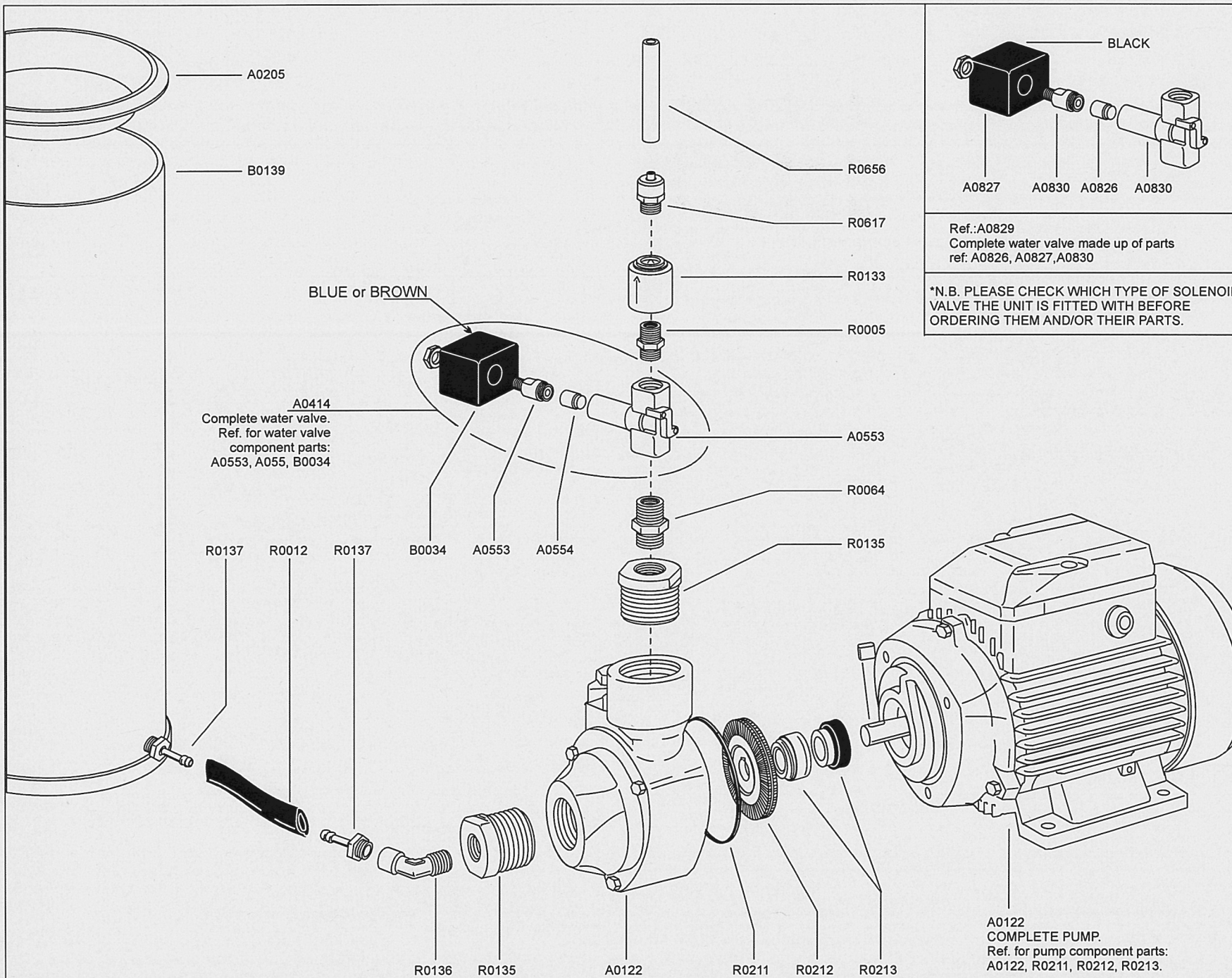
REF.	DESCRIPTION	Q*
A0090	WHEEL	4
A0203	KNOB	1
B0051	SWITCH	1
CE009	FRAME	1
C0377	LEFT PANEL	1
C0378	RIGHT PANEL	1
C0493	LID	1
R0002	CONNECTOR	1
R0068	SCREW	1
R0136	ELBOW	1
R0134	SCREW	8
R0141	T-CONNECTOR	1
R0142	CONNECTOR	1
R0655	CONNECTOR	1
RM048	TAP	1

*PIECES PER UNIT (IN THIS VIEW)

N.B. The above view is intended as a pure indication. It serves to show all the component parts of the unit to make any service easier.

CornelRICAMBI

PRATIKA TROLLEY	PRATIKA	18/06/2003	ITAV-0817
DESCRIPTION	TYPE	LAST CHANGE DATE	VIEW REF.



Ref.:A0829
Complete water valve made up of parts
ref: A0826, A0827, A0830

*N.B. PLEASE CHECK WHICH TYPE OF SOLENOID VALVE THE UNIT IS FITTED WITH BEFORE ORDERING THEM AND/OR THEIR PARTS.

A0122
COMPLETE PUMP.
Ref. for pump component parts:
A0122, R0211, R0212, R0213.

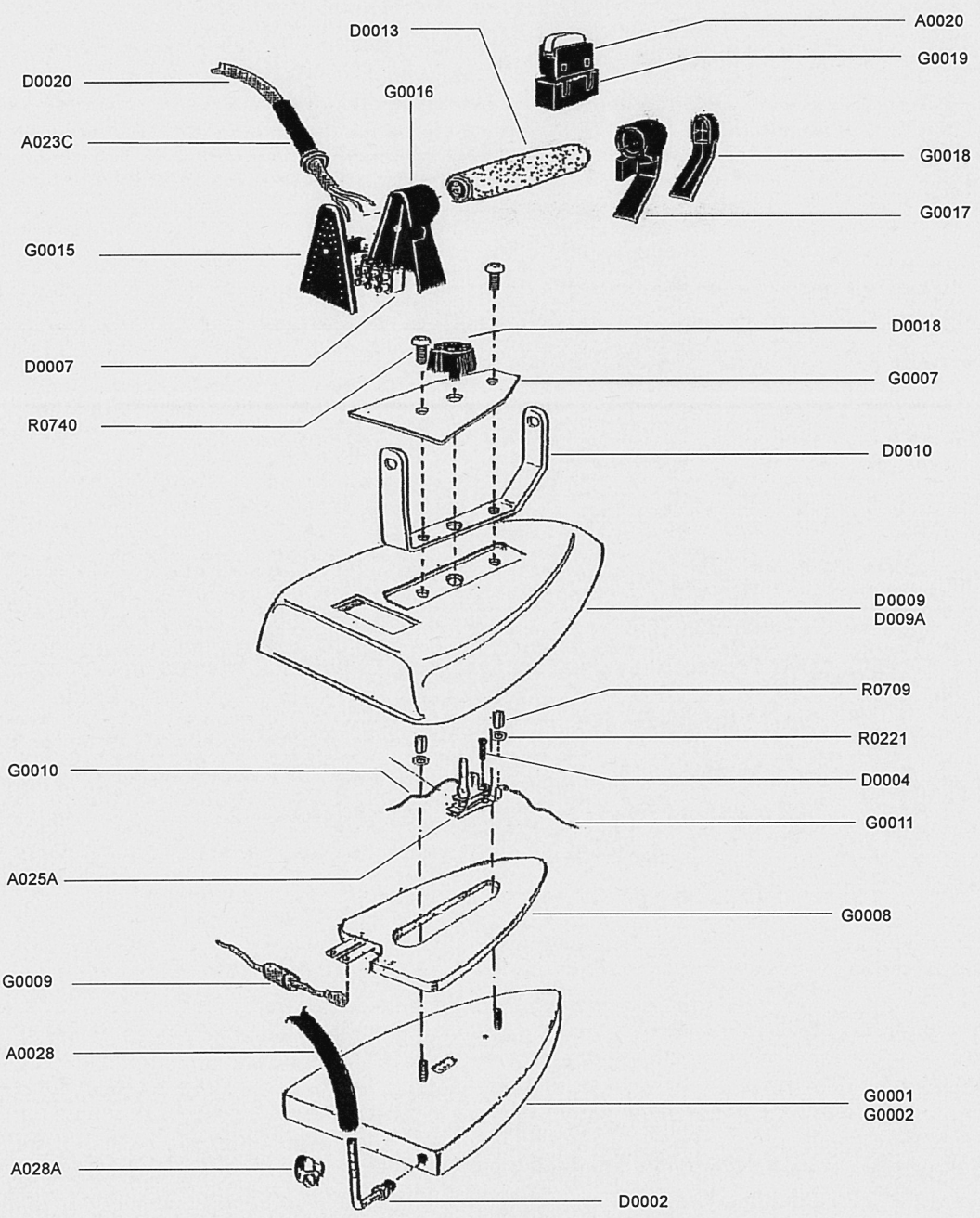
REF.	DESCRIPTION	Q**
A0122	COMPLETE PUMP	1
A0205	FILTER	1
A0414*	COMPLETE WATER VALVE	1
A0553*	WATER VALVE CORE	1
A0554*	PLUNGER	1
A0826*	PLUNGER	1
A0827*	COIL	1
A0829*	COMPLETE WATER VALVE	1
A0830*	WATER VALVE CORE	1
B0034*	COIL	1
B0139	TANK	1
R0005	CONNECTOR	1
R0012	RUBBER PIPE	1
R0064	CONNECTOR	1
R0133	NO-RETURN VALVE	1
R0135	BRASS CONNECTOR	2
R0136	ELBOW	1
R0137	NIPPLE	2
R0211	O-RING	1
R0212	IMPELLER	1
R0213	SEALING KIT	1
R0617	CONNECTOR	1
R0656	TEFLON PIPE	1

*PIECES PER UNIT (IN THIS VIEW)

N.B. The above view is intended as a pure indication. It serves to show all the component parts of the unit to make any service easier.

Comel R I C A M B I

DESCRIPTION	UNIT	LAST CHANGE DATE	VIEW REF.
WATER PUMP	COMPLETE PRATIKA (STANDARD VERSION)	30/11/2009	ITAV-0818B



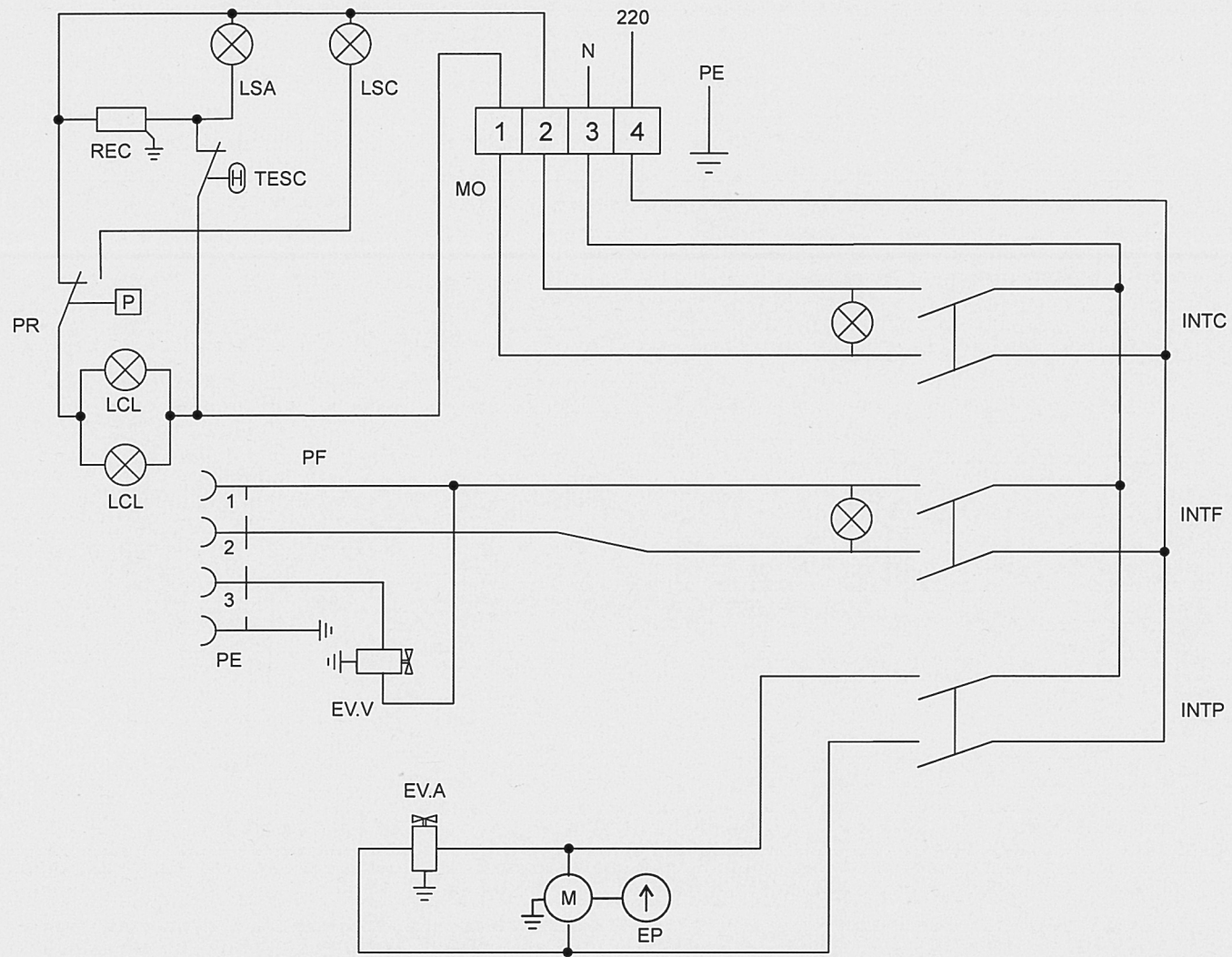
REF.	DESCRIPTION	Q*
A0020	Iron microswitch	1
A0028	Steam hose	1
A023C	Rubber sleeve	1
A025A	Thermostat	1
A028A	Steam hose clamp	1
D0002	Steam hose elbow	1
D0004	Screw	2
D0007	Junction box	1
D0009	Small chromium-plated cover	1
D009A	Big chromium-plated cover	1
D0010	Chromium-plated handle	1
D0013	Cork handle	1
D0018	Thermostat knob	1
D0020	Flex	1
G0001	Small iron base	1
G0002	Big iron base	1
G0007	Marked tag	1
G0008	Heating element	1
G0009	Wire	1
G0010	Wire	1
G0011	Wire	1
G0015	Back cap	1
G0016	Back handle support	1
G0017	Front handle support	1
G0018	Front cap	1
G0019	Microswitch holder	1
R0221	Washer	2
R0709	Spacing cylinder	2
R0740	Screw	2

PIECES PER UNIT (IN THIS VIEW)

N.B. The above view is a pure indication. It serves to show all the component parts of the unit to make any service easier.

Comel R I C A M B I

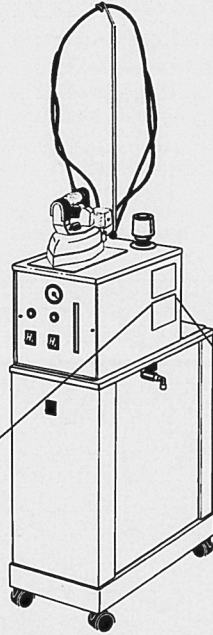
721 PAB MG - GAB MG IRON	COMPONENT PARTS	28/03/2008	IFER-0021
DESCRIPTION	TYPE	LAST CHANGE DATE	VIEW REF.



REF. DESCRIPTION

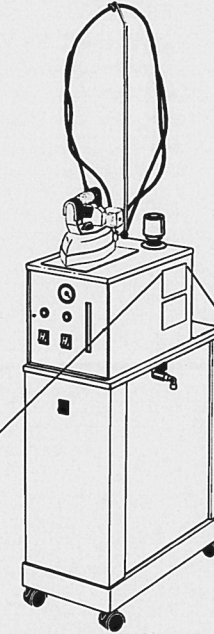
REC	BOILER HEATING ELEMENT
TESC	BOILER SAFETY THERMOSTAT
PR	PRESSURE SWITCH
LCL	WATER LEVEL LIGHT
EV.V	STEAM VALVE
EV.A	WATER VALVE
PF	IRON SOCKET
LSA	WATER WARNING LIGHT
LSC	STEAM WARNING LIGHT
MO	JUNCTION BOX
INTC	BOILER ON/OFF SWITCH
INTF	IRON ON/OFF SWITCH
INTP	PUMP SWITCH
EP	PUMP
PE	EARTH

UNIT IDENTIFICATION PLATE



DITTA COSTRUTTRICE - Comel S.r.l. - PERGOLA (PS) - ITALY	
CE	MODELLO - Generatore di vapore PRATIKA
	NUMERO DI SERIE.....
220 - 240 V - 50 Hz _____ A	
POTENZA ELETTRICA RESISTENZA CALDAIA	1500 W
POTENZA ELETTRICA RESISTENZA FERRO	800 W
POTENZA ELETTRICA MOTORE POMPA	W
CAPACITA' CALDAIA	5 lt.
PRESSIONE ESERCIZIO	2,5 bar
PESO NETTO SENZA CARRELLO	Kg
PESO NETTO CON CARRELLO	Kg
DIMENSIONI INGOMBRO SENZA CARRELLO (.....X.....X.....) cm.	
DIMENSIONI INGOMBRO CON CARRELLO (.....X.....X.....) cm.	

BOILER IDENTIFICATION PLATE



IDENTIFICAZIONE CALDAIA

DITTA COSTRUTTRICE Comel S.r.l. - 61045 PERGOLA (PU) - ITALY	
VIA DELL' INDUSTRIA 40 - Tel.0721 735110/11	
MODELLO GENERATORE _____	L5 CE
ANNO DI FABBRICAZIONE _____	
NUMERO DI SERIE CALDAIA	_____
220 V 8,6 A 2P+T ^{50Hz}	
POTENZA ELETTRICA RESISTENZA CALDAIA	1,9 kW
CAPACITA' CALDAIA	5 Lt
PRESSIONE ESERCIZIO 2,5 Bar	TEMPERATURA ESERCIZIO 138 °C
PRESSIONE TARATURA V.D.S.	3 Bar
PROVA IDRAULICA: PRESSIONE 6,44 Bar	DATA _____
PESO NETTO CALDAIA	7,7 Kg
GRUPPO DI PRODOTTI	ACQUA
UTILIZZO PREVISTO	PRODUZIONE VAPORE PER GLI USI CONSENTITI